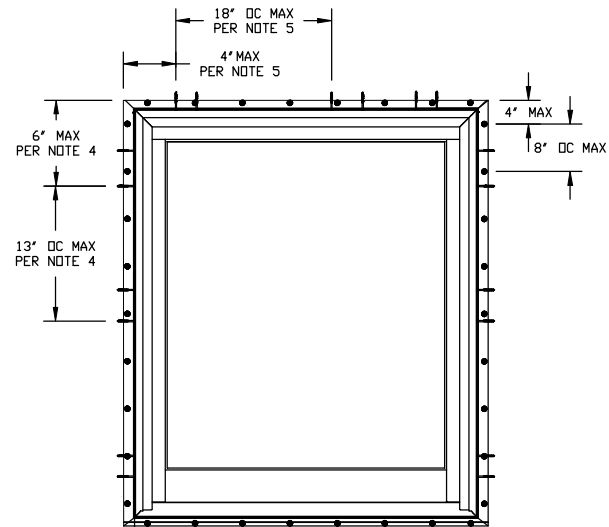
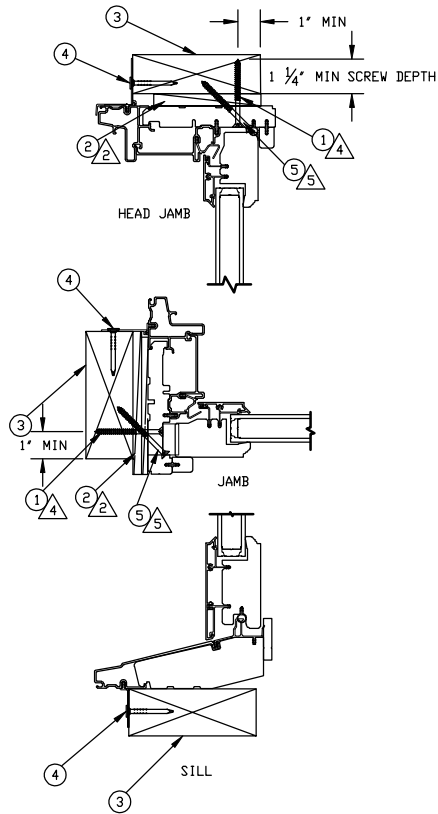
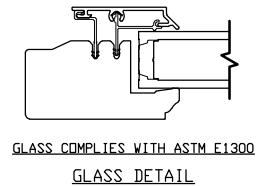


JAMB SCREW INSTALLATION WITH NAILING FIN METHOD



UNIT	MAX FRAME SIZE	DP RATING
UL DBLHNG P G2	61 1/4 X 103 1/2	+50/-50



- JAMB SCREW INSTALLATION WITH NAILING FIN METHOD:
- UNIT MUST NOT BE IN DIRECT CONTACT WITH EITHER CONCRETE OR TREATED BUCK MATERIAL. IF SHIM SPACE IS LESS THAN 1/8" WRAPPING THE UNIT ON ALL 4 SIDES WITH WINDOW FLASHING TAPE IS REQUIRED AS A BARRIER BETWEEN THE UNIT AND CONCRETE OR TREATED LUMBER.
 - SHIM AT EACH SCREW LOCATION.
 - SECURE NAILING FIN WITH 2" GALVANIZED ROOFING NAILS SPACED 4" FROM CORNERS AND 8" ON CENTER AROUND FRAME PERIMETER.
 - SECURE JAMBS AND HEAD JAMB WITH #8 X 3" SCREWS INSTALLED PER NOTE 4 SPACED 6" FROM CORNERS AND 13" ON CENTER.
 - SECURE JAMBS AND HEAD JAMB WITH #9 X 3" SCREWS INSTALLED PER NOTE 5 SPACED 4" FROM CORNERS AND 18" ON CENTER.

NOTES:

- THIS PRINT IS FOR STRUCTURAL PERFORMANCE ONLY. FOR FLASHING & SEALING REQUIREMENTS, REFER TO THE INSTALLATION INSTRUCTIONS.
- SHIMS:
 - A SHIM MUST BE PLACED AT THE CHECK RAILS AND 4-6' FROM EACH CORNER.
 - ALL OTHERS MUST BE PLACED A MAX OF 15 INCHES APART.
- IF CHEMICALLY TREATED LUMBER IS USED FOR BUCK MATERIAL, FASTENERS INTO THE BUCK MUST BE A MINIMUM OF 0.90 OZ/FT² ZINC HOT DIPPED GALVANIZED OR STAINLESS STEEL TYPE 304 OR 316.
- SCREW INSTALLATION ONLY APPLIES WHEN SASH SHIPPED SEPARATE.
- SCREW INSTALLATION ONLY APPLIES WHEN SASH SHIPPED INSTALLED.

CATEGORY:
DOUBLE HUNG


UNIT TYPE:
UDHPG2

ITEM NO	REF NO	DESCRIPTION
5	-----	#9 X 3" WOOD SCREW
4	-----	2" ROOFING NAIL
3	-----	WOOD BUCK BY OTHERS
2	-----	SHIM
1	-----	#8 X 3.000 WOOD SCREW

UNSPECIFIED TOLERANCES

DECIMALS: XX ± .03 XXX ± .012	ANGLE DEG: ± .5
LINEAL: + N/A - N/A	FAB LINEAL: ± .016

MATERIAL:
N/A

MARVIN 		RESEARCH & DEVELOPMENT			
COLLECTION: ULTIMATE					
DWG TYPE: INSTALLATION					
DESCRIPTION: INSTALLATION					
CHK:	SIZE: B	CLASS: MISC	DWG NO: 00125934		
APP:	SCALE: 1:3	DATE: 09/30/20	DWG BY: KOMPELIEN, SARA	SHEET: 1 OF 1	

NOTICE - CONFIDENTIAL INFORMATION

The information in this document is privileged and strictly confidential. The information contained herein shall be used only by Marvin Windows and Doors employees and by those agents or suppliers granted official written permission. If the reader of this document is not the intended recipient, or the employee or agent of the intended recipient, please delete this document from all data storage devices, and destroy all hard copies. Any unauthorized dissemination, distribution, copying or other use of the information contained in this document is strictly prohibited.