

TYPICAL PLYWOOD WALL ASSEMBLY  
ELEVATION VIEW

NOTE: PANELS AND MOLDINGS NOT SHOWN FOR CLARITY

- ① 5/8" PLYWOOD SHEATHING
- ② HENRY AIR-BLOC 31MR FLUID-APPLIED AIR AND WATER BARRIER
- ③ 2" WIDE x 3/16" THICK FOAM TAPE APPLIED TO PLYWOOD SHEATHING
- ④ 2" WIDE GAPS FOR VENTING AT HORIZONTAL TO VERTICAL FOAM TAPE INTERFACES (VERTICAL FOAM TAPE TO BE CONTINUOUS FOR FULL HEIGHT OF WALL)
- ④A APPLY MASKING TAPE OVER ALL FOAM TAPE GAPS TO MAINTAIN SUBSTRATE DEPTH FOR SEALANT JOINT INSTALLATION
- ⑤ PECORA 896 PANEL ADHESIVE APPLIED IN 1/2" THICK LINES
- ⑥ METAL FLASHING FASTENED TO PLYWOOD SHEATHING
- ⑦ MEMBRANE OR FLUID-APPLIED AIR AND WATER BARRIER TO LAP OVER METAL FLASHING IN SHINGLE FASHION
- ⑧ CENTERLINE OF PANEL JOINTS

Rev\_0 : 02/10/2015

OMEGA-LITE® ACM WALL PANELS

File Name: MiamiDade\_LAM-CC-001

DETAIL KEY - PLYWOOD WALL ASSEMBLY  
CLIP AND CAULK OVER PLYWOOD

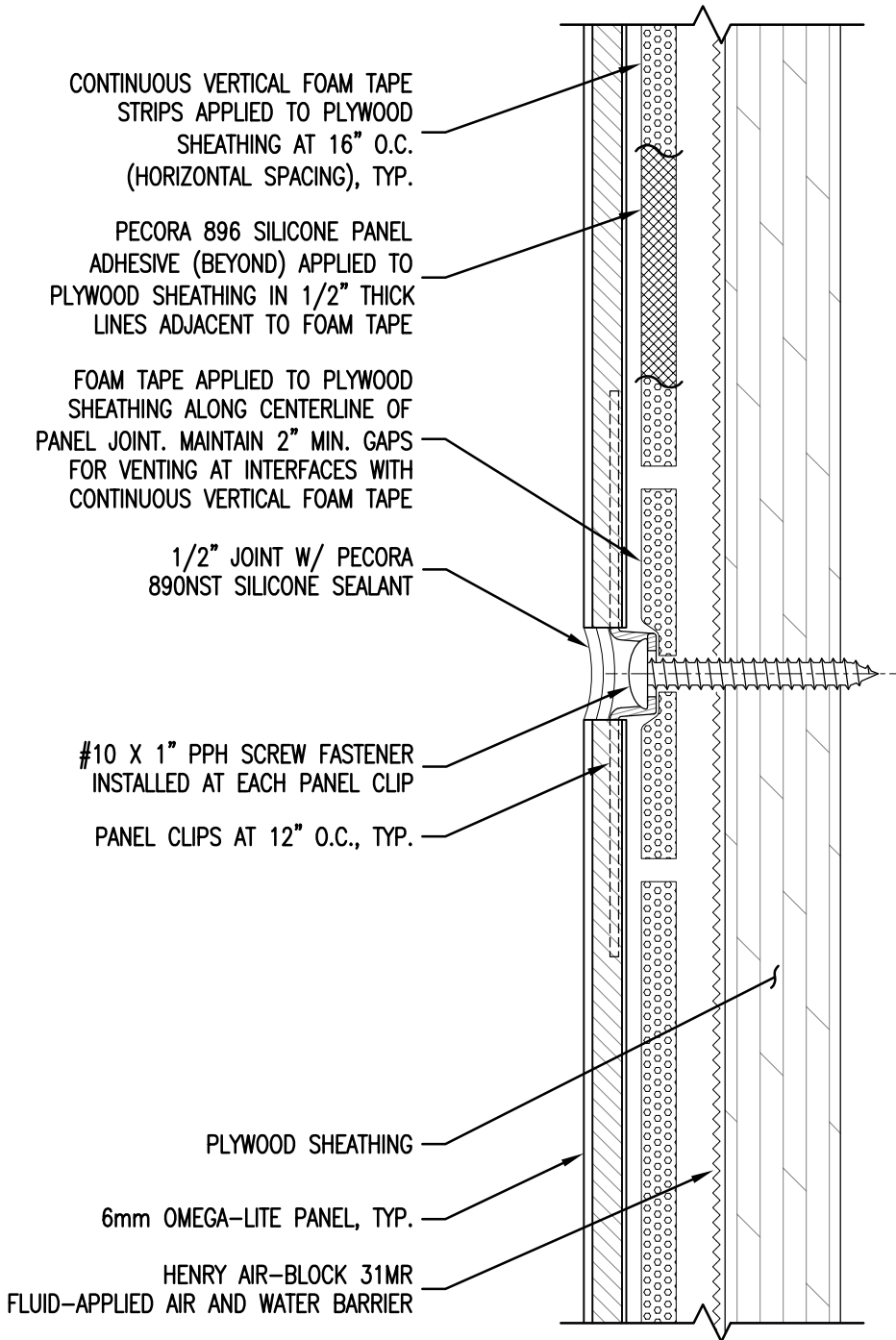
NOTE: SEE LAMINATORS INSTALLATION GUIDELINES FOR MORE INFORMATION ON ATTACHMENT PROCEDURES



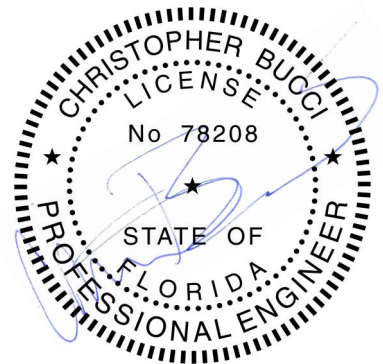
www.LaminatorsInc.com

877.OMEGA.77

Date: 2/10/2015	Drawn By: JJM	Dwg. No. LAM-CC-001	Page 1 OF 7
--------------------	------------------	------------------------	----------------



SECTION VIEW



NOTE: SPACING SHOWN BETWEEN PANELS AND SUBSTRATES AND THICKNESS OF SOME PANEL SYSTEM COMPONENTS EXAGGERATED FOR CLARITY

Rev\_0 : 02/10/2015

OMEGA-LITE® ACM WALL PANELS

File Name: MiamiDade\_LAM-CC-001

DETAIL A - TYPICAL JOINT DETAIL  
CLIP AND CAULK OVER PLYWOOD

NOTE: SEE LAMINATORS INSTALLATION GUIDELINES FOR MORE INFORMATION ON ATTACHMENT PROCEDURES



www.LaminatorsInc.com

877.OMEGA.77

Date: 2/10/2015	Drawn By: JJM	Dwg. No. LAM-CC-001	Page 2 OF 7
--------------------	------------------	------------------------	----------------

PARAPET WALL METAL COPING AND  
BLOCKING BY OTHERS

#10 X 1" PPH SCREW FASTENER  
INSTALLED AT EACH PANEL CLIP

PANEL CLIPS AT 12" O.C., TYP.

FOAM TAPE APPLIED BETWEEN  
OMEGA-LITE PANEL AND METAL  
COPING SYSTEM. MAINTAIN 2" MIN.  
GAPS FOR VENTING AT 24" O.C.

CONTINUOUS VERTICAL FOAM  
TAPE APPLIED TO PLYWOOD  
SHEATHING AT 16" O.C.  
(HORIZONTAL SPACING), TYP.

FOAM TAPE APPLIED TO PLYWOOD  
SHEATHING ALONG TOP OF WALL.  
MAINTAIN 2" MIN. GAPS FOR  
VENTING AT INTERFACES WITH  
CONTINUOUS VERTICAL FOAM TAPE

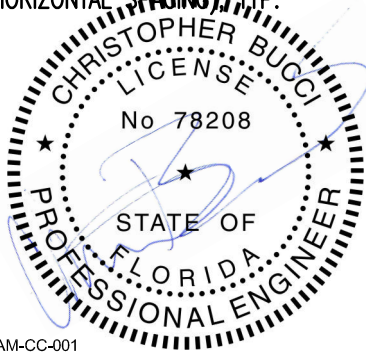
PLYWOOD SHEATHING

HENRY AIR-BLOCK 31MR  
FLUID-APPLIED AIR AND WATER  
BARRIER

PECORA 896 SILICONE PANEL  
ADHESIVE (BEYOND) APPLIED TO  
PLYWOOD SHEATHING IN 1/2" THICK  
LINES ADJACENT TO FOAM TAPE

SECTION VIEW

NOTE: SPACING SHOWN BETWEEN PANELS  
AND SUBSTRATES AND THICKNESS OF SOME  
PANEL SYSTEM COMPONENTS EXAGGERATED  
FOR CLARITY



Rev\_0 : 02/10/2015

OMEGA-LITE® ACM WALL PANELS

File Name: MiamiDade\_LAM-CC-001

DETAIL B - TYPICAL TOP OF WALL DETAIL  
CLIP AND CAULK OVER PLYWOOD

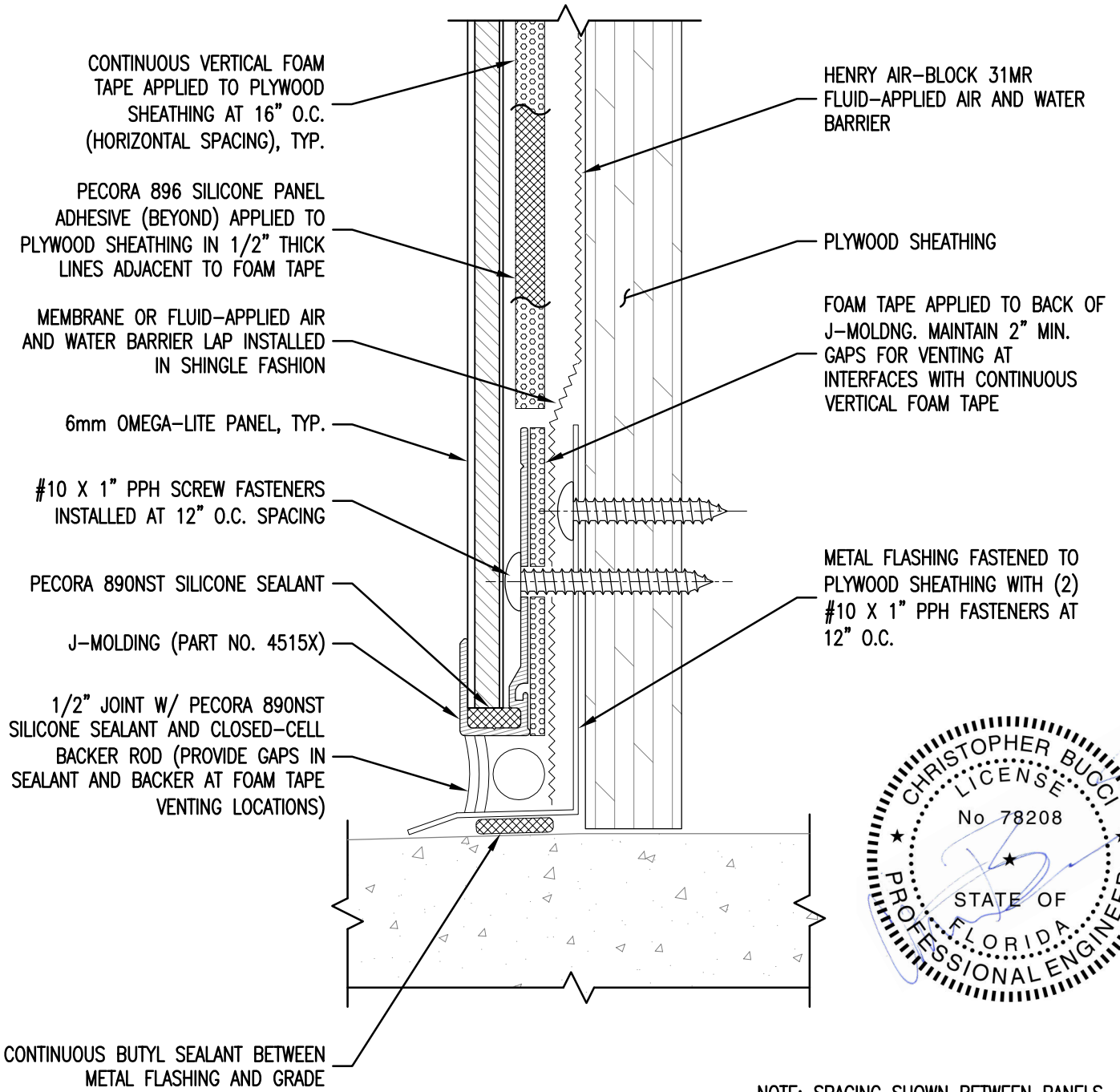
NOTE: SEE LAMINATORS INSTALLATION GUIDELINES  
FOR MORE INFORMATION ON ATTACHMENT PROCEDURES



www.LaminatorsInc.com

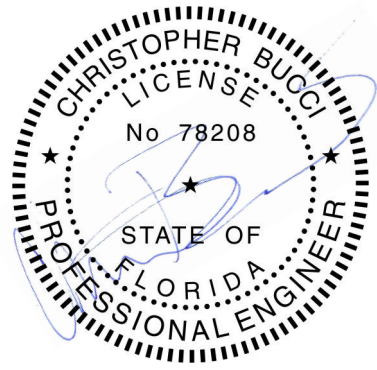
877.OMEGA.77

Date: 2/10/2015	Drawn By: JJM	Dwg. No. LAM-CC-001	Page 3 OF 7
--------------------	------------------	------------------------	----------------



SECTION VIEW

NOTE: SPACING SHOWN BETWEEN PANELS AND SUBSTRATES AND THICKNESS OF SOME PANEL SYSTEM COMPONENTS EXAGGERATED FOR CLARITY



Rev\_0 : 02/10/2015

OMEGA-LITE® ACM WALL PANELS

File Name: MiamiDade\_LAM-CC-001



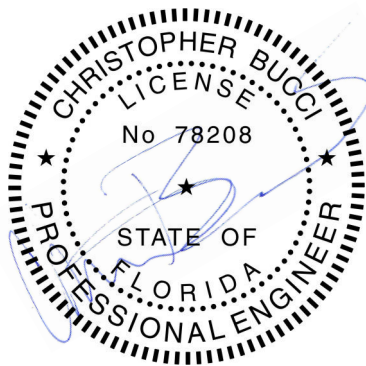
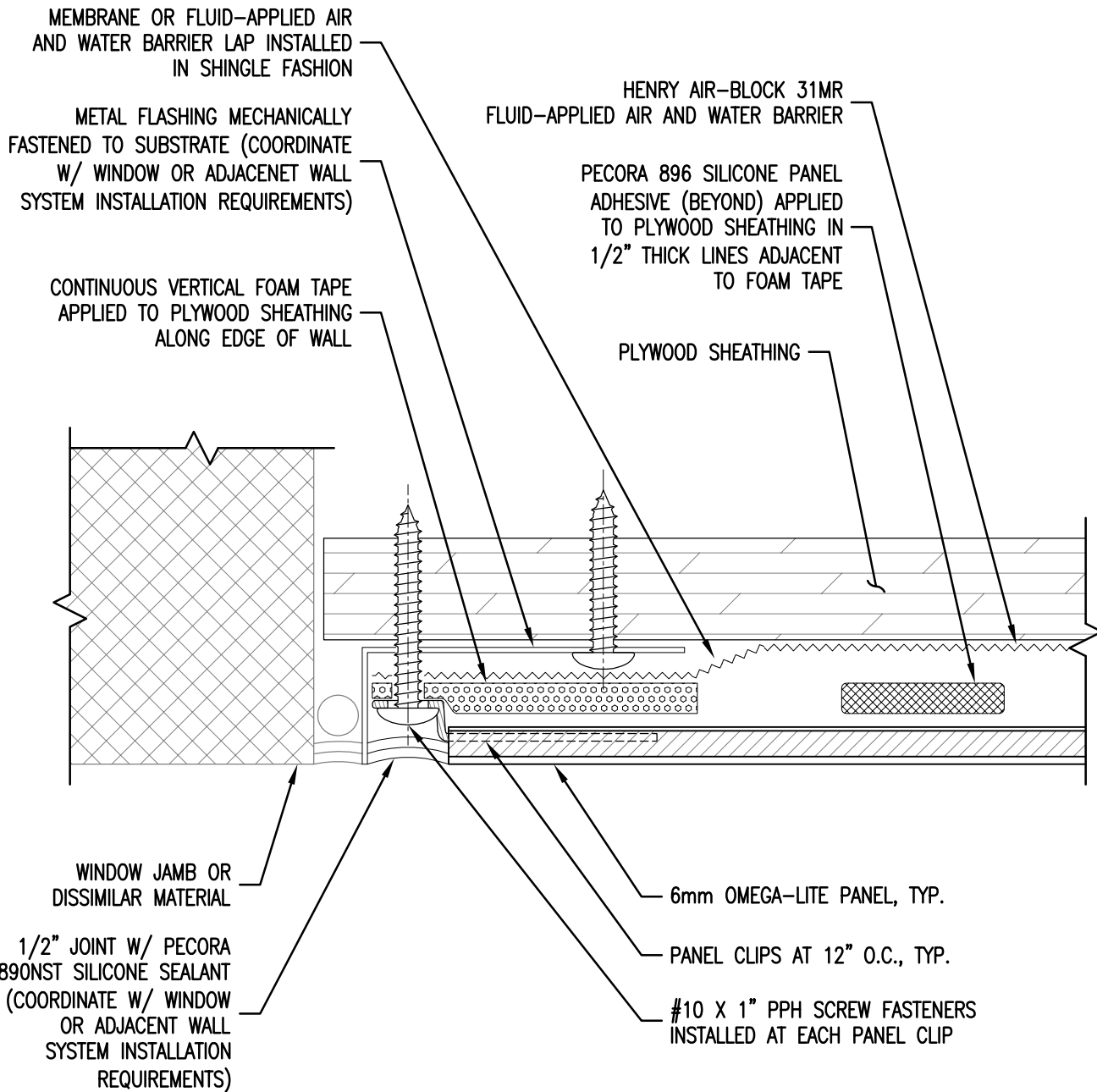
DETAIL C - TYPICAL GRADE DETAIL  
CLIP AND CAULK OVER PLYWOOD

NOTE: SEE LAMINATORS INSTALLATION GUIDELINES FOR MORE INFORMATION ON ATTACHMENT PROCEDURES

www.LaminatorsInc.com

877.OMEGA.77

Date: 2/10/2015	Drawn By: JJM	Dwg. No. LAM-CC-001	Page 4 OF 7
--------------------	------------------	------------------------	----------------



PLAN SECTION VIEW

NOTE: SPACING SHOWN BETWEEN PANELS AND SUBSTRATES AND THICKNESS OF SOME PANEL SYSTEM COMPONENTS EXAGGERATED FOR CLARITY

File Name: MiamiDade LAM-CC-001

Rev\_0 : 02/10/2015

OMEGA-LITE® ACM WALL PANELS

DETAIL D - TYPICAL END OF RUN DETAIL  
CLIP AND CAULK OVER PLYWOOD

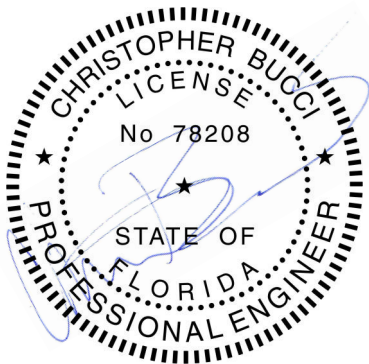
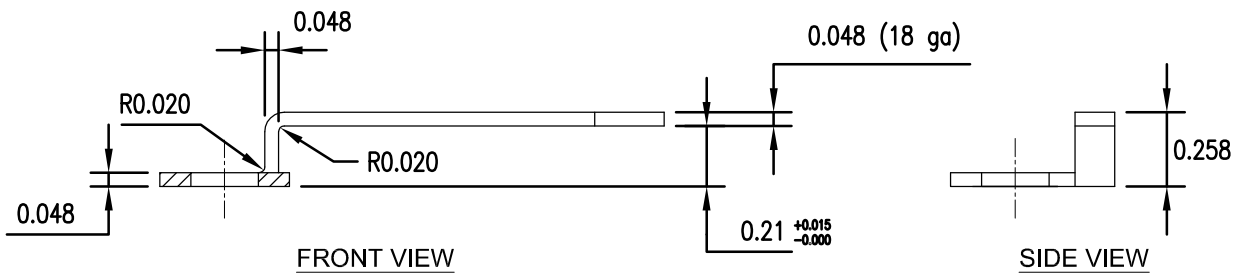
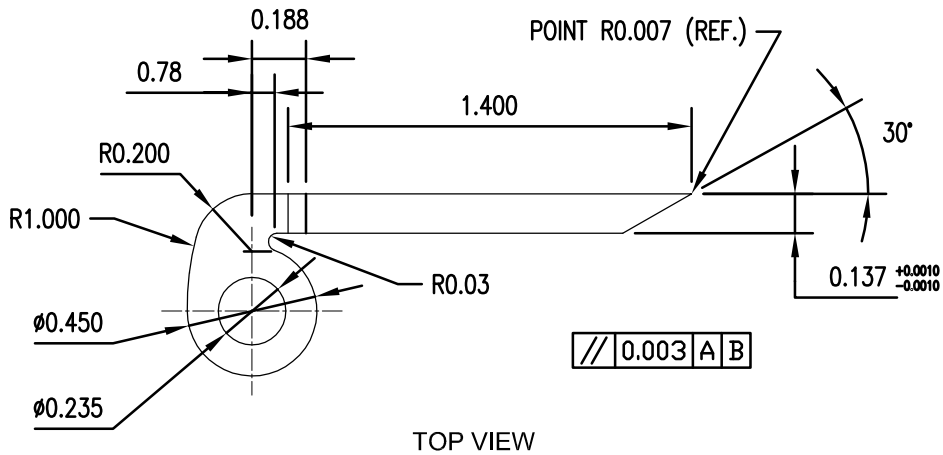
NOTE: SEE LAMINATORS INSTALLATION GUIDELINES FOR MORE INFORMATION ON ATTACHMENT PROCEDURES



www.LaminatorsInc.com

877.OMEGA.77

Date: 2/10/2015	Drawn By: JJM	Dwg. No. LAM-CC-001	Page 5 OF 7
--------------------	------------------	------------------------	----------------



Rev\_0 : 02/10/2015

OMEGA-LITE® ACM WALL PANELS

CLIP (PART NO. 50299FLAT)  
CLIP AND CAULK OVER PLYWOOD

NOTE: SEE LAMINATORS INSTALLATION GUIDELINES  
FOR MORE INFORMATION ON ATTACHMENT PROCEDURES

Date: 2/10/2015	Drawn By: JJM	Dwg. No. LAM-CC-001	Page 6 OF 7
--------------------	------------------	------------------------	----------------

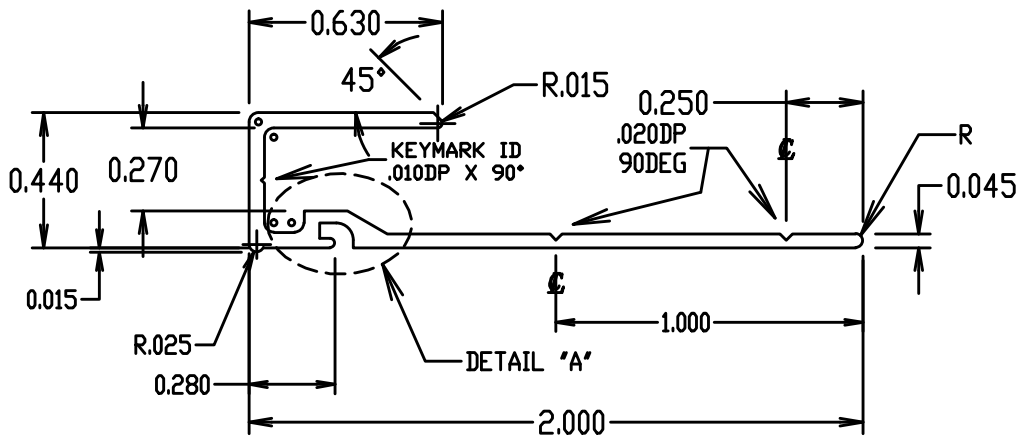
File Name: MiamiDade LAM-CC-001



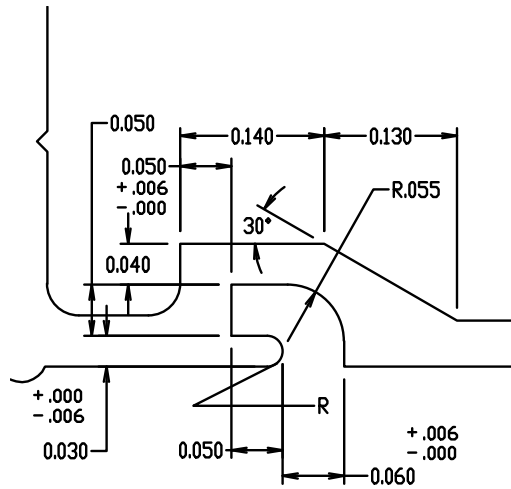
www.LaminatorsInc.com

877.OMEGA.77

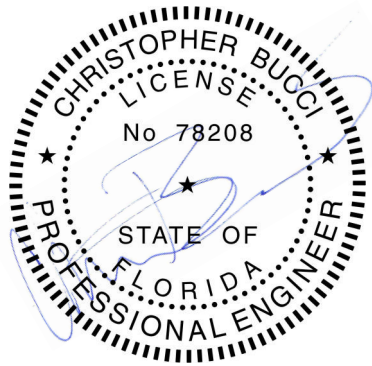




{ ◦ } DENOTES R.031 ( 4 )



DETAIL "A" - ENLARGED VIEW



- NOTES:
1. ALL CORNERS .015 RADIUS UNLESS OTHERWISE NOTED
  2. UNSPECIFIED WALL THICKNESS .050
  3. NOT DRAWN TO SCALE

Rev\_0 : 02/10/2015

OMEGA-LITE® ACM WALL PANELS

File Name: MiamiDade\_LAM-CC-001



J-MOLDING (PART NO. 4515X)  
CLIP AND CAULK OVER PLYWOOD

NOTE: SEE LAMINATORS INSTALLATION GUIDELINES FOR MORE INFORMATION ON ATTACHMENT PROCEDURES

www.LaminatorsInc.com

877.OMEGA.77

Date: 2/10/2015	Drawn By: JJM	Dwg. No. LAM-CC-001	Page 7 OF 7
--------------------	------------------	------------------------	----------------