

ASTRO GUARD WIND ABATEMENT SYSTEM

GENERAL NOTES

1. THE SYSTEM DESCRIBED HEREIN HAS BEEN DESIGNED AND TESTED IN ACCORDANCE WITH THE FLORIDA BUILDING CODE FOR USE WITHIN AND OUTSIDE THE HIGH VELOCITY HURRICANE ZONE PER TAS 201, 202 AND 203 TESTING STANDARDS.
2. NO 33-1/3% INCREASE IN ALLOWABLE STRESS HAS BEEN USED IN THE DESIGN OF THIS SYSTEM. WIND LOAD DURATION FACTOR $C_d=1.6$ HAS BEEN USED FOR WOOD ANCHOR DESIGN.
3. POSITIVE AND NEGATIVE DESIGN PRESSURES CALCULATED FOR USE WITH THIS SYSTEM SHALL BE DETERMINED PER SEPARATE ENGINEERING IN ACCORDANCE WITH THE GOVERNING CODE. PRESSURE REQUIREMENTS AS DETERMINED IN ACCORDANCE WITH ASCE 7-10 AND CHAPTER 1609 OF THE FLORIDA BUILDING CODE SHALL BE LESS THAN OR EQUAL TO THE POSITIVE OR NEGATIVE DESIGN PRESSURE CAPACITY VALUES LISTED HEREIN FOR ANY ASSEMBLY AS SHOWN.
4. DESIGN PRESSURES NOTED HEREIN ARE BASED ON MAXIMUM TESTED PRESSURES DIVIDED BY A 1.5 SAFETY FACTOR. PANELS HAVE BEEN DESIGN WITH A TOTAL 2" PRE-LOAD SLACK.
5. THE SYSTEM DETAILED HEREIN IS GENERIC AND DOES NOT PROVIDE INFORMATION FOR A SPECIFIC SITE. FOR SITE CONDITIONS DIFFERENT FROM THE CONDITIONS DETAILED HEREIN, A LICENSED ENGINEER OR REGISTERED ARCHITECT SHALL PREPARE SITE SPECIFIC DOCUMENTS FOR USE IN CONJUNCTION WITH THIS DOCUMENT.
6. PERMIT HOLDER SHALL VERIFY THE ADEQUACY OF THE EXISTING STRUCTURE TO WITHSTAND SUPERIMPOSED LOADS. WOOD BUCKS (BY OTHERS) SHALL BE ANCHORED PROPERLY TO TRANSFER LOADS TO THE EXISTING STRUCTURE.
7. THIS SYSTEM IS INTENDED FOR USE ONLY DURING WIND STORM EVENTS. WHEN NOT IN USE, PRODUCT SHALL BE PROPERLY STORED AWAY FROM PROLONGED EXPOSURE TO DIRECT SUNLIGHT OR OTHER WEATHERING CONDITIONS.
8. UNLESS OTHERWISE NOTED HEREIN, ALL SCREWS SHALL BE 304 OR 316 STAINLESS STEEL OR CORROSION RESISTANT COATED SAE GR. 5 CARBON STEEL.
9. MAXIMUM PANEL SPAN: 18'-2"
10. MAXIMUM ALLOWABLE DESIGN PRESSURE: ± 60 PSF
11. PANELS SHALL BE PERMANENTLY LABELED WITH A MINIMUM OF ONE LABEL PER PANEL CONTAINING THE FOLLOWING:
HURRICANE FABRIC.COM LLC
PO BOX 50153
CLAYTON, MD 63105
TAS 201, 202, 203
FLORIDA BUILDING CODE APPROVED
12. HURRICANE FABRIC PANELS MAY BE MOUNTED VERTICALLY OR HORIZONTALLY AS APPLICABLE.
13. DISSIMILAR MATERIALS SHALL BE INSULATED FROM TO PREVENT CORROSION AND ELECTROLYSIS AS NECESSARY.
14. EXCEPT AS EXPRESSLY PROVIDED HEREIN, NO ADDITIONAL CERTIFICATIONS OR AFFIRMATIONS ARE INTENDED.

RETENTION CLIP END CONNECTOR:

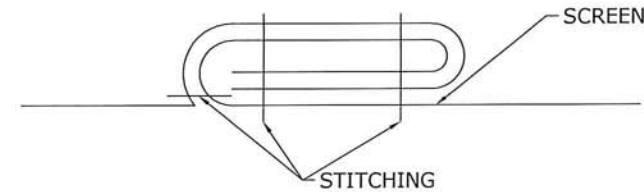
RHODIA ENGINEERING PLASTICS
POLYAMIDE 66

FABRIC SPECIFICATION:

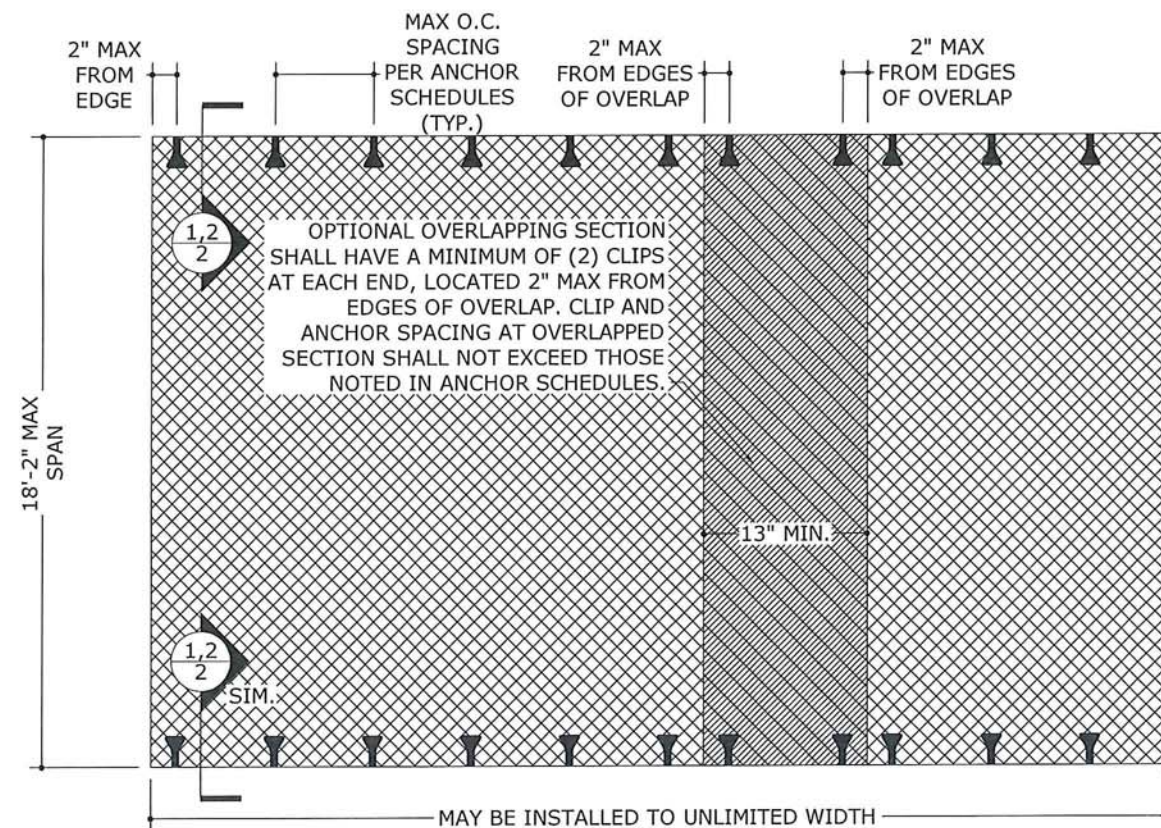
TYPE OF YARN: TEXTILE FABRIC
CONSTRUCTION: 25 X 25 WEAVE
THICKNESS: 1000 MICRONS \pm 5%
FINISH: RESIN COATED
WEIGHT (ASTM D 3776): 10.83 OZ/YD²
TENSILE STRENGTH (GRAB METHOD, ASTM D 4632): WARP: 879 LBS, WEFT: 879 LBS
BURST STRENGTH (ASTM D 3786): 1500 PSI
ABRASION RESISTANCE (ASTM D 4886): 95% STRENGTH RETAINED

SEWING:

SEWING ONLY AT SPLICE (SEE SPLICE DETAIL). NO SEWING AT EDGES.

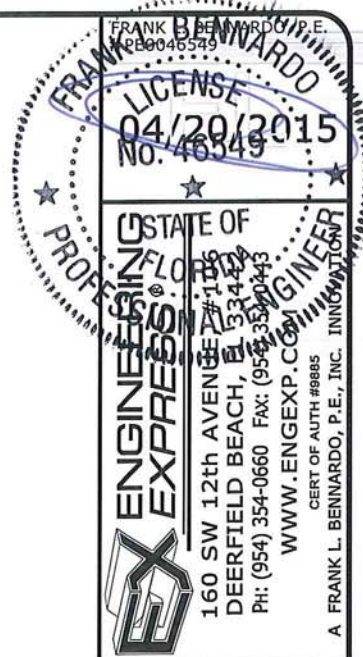


1 SPLICE DETAIL
1 N.T.S.



NOTE: PANELS CAN OPTIONALLY BE ANCHORED ON THREE OR FOUR SIDES. FOR FOUR SIDE ATTACHMENT, THE SPAN IS THE SHORT DIMENSION BETWEEN FASTENERS.

2 TYPICAL PANEL INSTALLTION
1 N.T.S. EXTERIOR ELEV



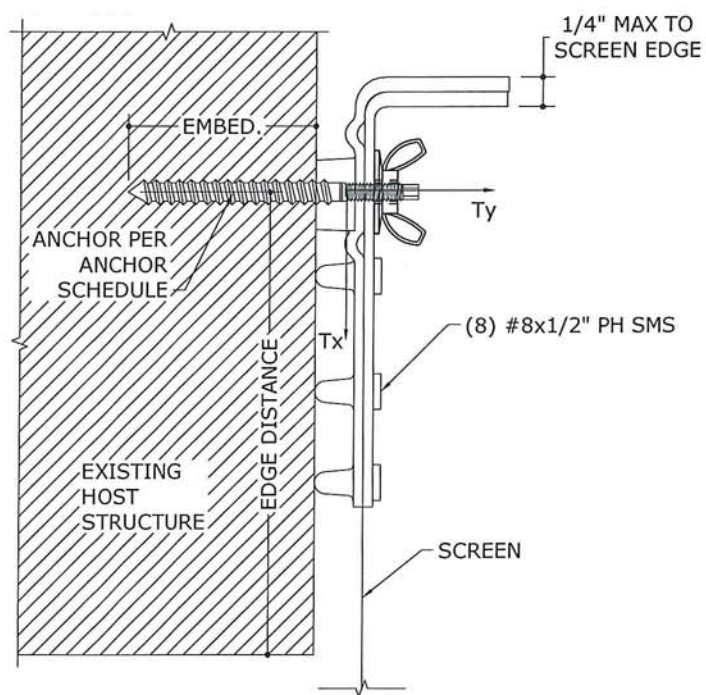
HURRICANE FABRIC, LLC
1505 POINSETTA DR, SUITE H-3
DELRAY BEACH, FL 33444
WWW.HURRICANEFABRIC.COM

ASTRO GUARD
WIND ABATEMENT SYSTEM
FBC 5TH EDITION (2014) PRODUCT APPROVAL
FL17661.1

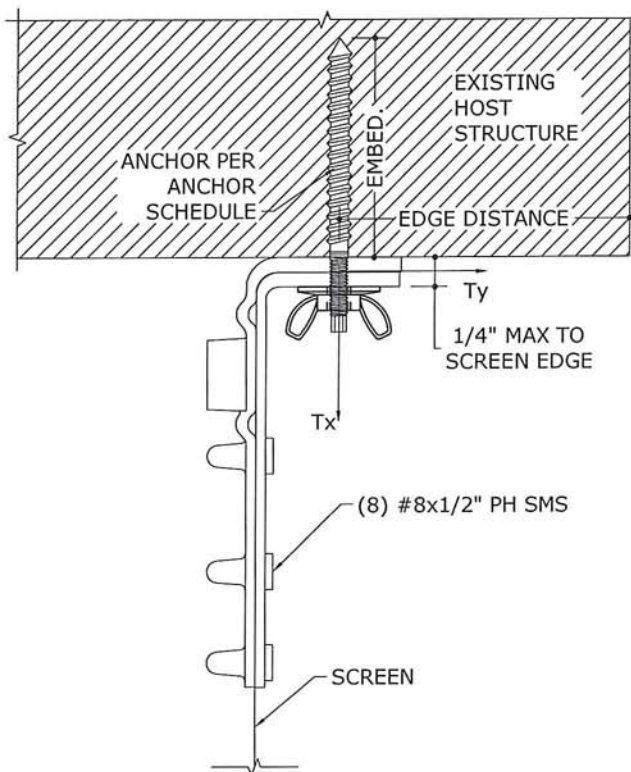
REMARKS	DRWN	CHKD	DATE
INIT. ISSUE (14-2202)	KL	FLB	07/16/12
REV. COM. (12-HFC-04-02)	KL	FLB	03/22/13
REV. FBC 5TH (2014)	CSL	TSB	02/27/15

15-2452

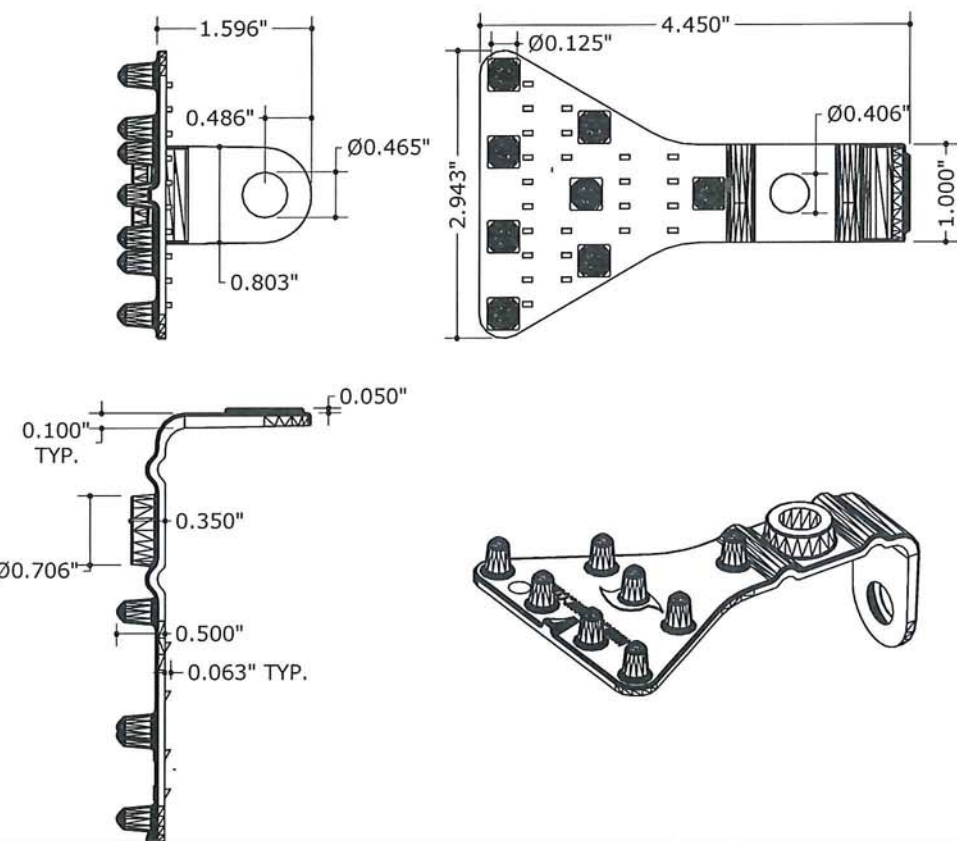
SCALE:
PAGE DESCRIPTION:



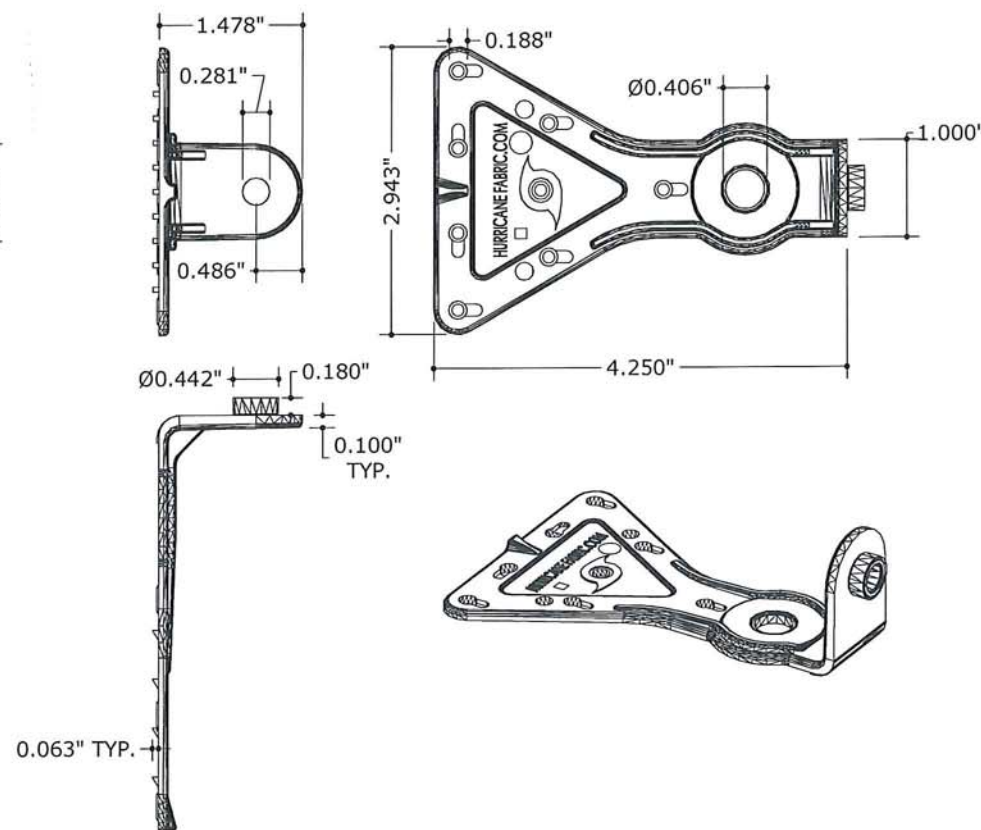
1 WALL MOUNT CONDITION
N.T.S. SECTION VIEW



2 INTERIOR MOUNT CONDITION
N.T.S. SECTION VIEW



1 BOTTOM MOUNTING CLIP
N.T.S. POLYAMIDE 66



2 TOP MOUNTING CLIP
N.T.S. POLYAMIDE 66

MINIMUM GLAZING SEPARATION FROM GLASS INCLUDING INSTALLATION SLACK

SPAN	POSITIVE DESIGN LOAD (PSF)			
	+60 PSF	+50 PSF	+40 PSF	+30 PSF
4'-0"	6.88"	6.63"	6.13"	5.75"
6'-0"	11.13"	10.50"	9.88"	9.00"
8'-0"	15.75"	14.88"	14.00"	12.75"
10'-0"	20.88"	19.75"	18.38"	16.88"
12'-0"	26.38"	24.88"	23.13"	21.13"
14'-0"	32.13"	30.38"	28.25"	25.75"
14'-8"	34.13"	32.38"	32.38"	32.38"
16'-0"	38.25"	36.88"	36.88"	36.88"
17'-0"	41.38"	39.00"	36.88"	36.88"
18'-2"	45.13"	42.50"	39.50"	36.88"

- NOTES:
- SEPARATION FROM GLAZING IS REQUIRED FOR ALL INSTALLATIONS WITHIN THE HIGH VELOCITY HURRICANE ZONE, WIND ZONE 4 AND ESSENTIAL FACILITIES.
 - SEPARATION IS NOT REQUIRED FROM ANY FENESTRATION PRODUCT THAT DOES NOT CONTAIN GLAZING.
 - SEPARATION FROM GLAZING IS NOT REQUIRED FOR INSTALLATIONS OUTSIDE OF WIND ZONE 4 AND ESSENTIAL FACILITIES.
 - INTERPOLATION OF THIS TABLE IS NOT PERMITTED. UTILIZE NEXT HIGHEST SEPARATION FROM GLAZING VALUE IF NEEDED.

LOAD ON EXISTING STRUCTURE FROM SCREEN SYSTEM
Tx = PARALLEL LOADS (PLF)

SPAN	DESIGN PRESSURE (+/- PSF)			
	60	50	40	30
4'-0"	235.4	208.5	179.6	148.3
6'-0"	308.5	273.2	235.4	194.3
8'-0"	373.7	330.9	285.2	235.4
10'-0"	433.6	384.0	330.9	273.2
12'-0"	489.7	433.6	373.7	308.5
14'-0"	542.7	480.6	414.1	341.9
14'-8"	559.8	495.7	427.2	352.6
16'-0"	593.2	525.3	452.7	373.7
17'-0"	617.7	547.0	471.4	389.1
18'-2"	645.6	571.7	492.7	406.7

LOAD ON EXISTING STRUCTURE FROM SCREEN SYSTEM
Ty = PERPENDICULAR LOADS (PLF)

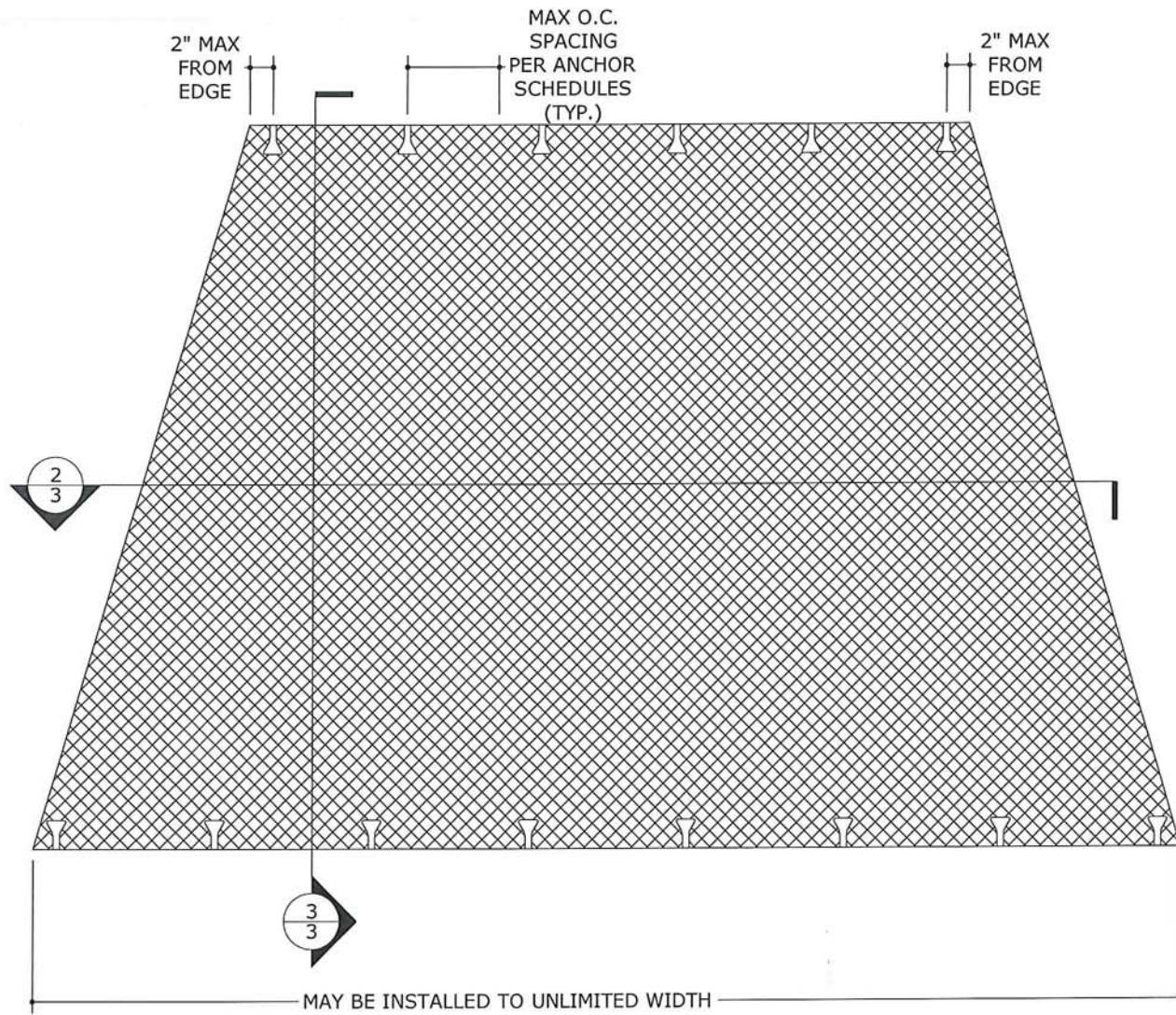
SPAN	DESIGN PRESSURE (+/- PSF)			
	60	50	40	30
4'-0"	120.0	100.0	80.0	60.0
6'-0"	180.0	150.0	120.0	90.0
8'-0"	240.0	200.0	160.0	120.0
10'-0"	300.0	250.0	200.0	150.0
12'-0"	360.0	300.0	240.0	180.0
14'-0"	420.0	350.0	280.0	210.0
14'-8"	440.0	366.7	293.3	220.0
16'-0"	480.0	400.0	320.0	240.0
17'-0"	510.0	425.0	340.0	255.0
18'-2"	545.0	454.2	363.3	272.5

FRANK L. BENNARDO
LICENSE
0410206548
STATE OF FLORIDA
ENGINEER
160 SW 12th AVENUE, SUITE 306
DEERFIELD BEACH, FL 33442
PH: (954) 354-0660 FAX: (954) 354-4043
WWW.ENGP.COM
A FRANK L. BENNARDO, P.E., INC. INFLUENTIAL

HURRICANE FABRIC, LLC
1505 POINSETTIA DR, SUITE H-3
DELRAY BEACH, FL 33444
WWW.HURRICANEFABRIC.COM
ASTRO GUARD
WIND ABATEMENT SYSTEM
FBC 5TH EDITION (2014) PRODUCT APPROVAL
FL17661.1

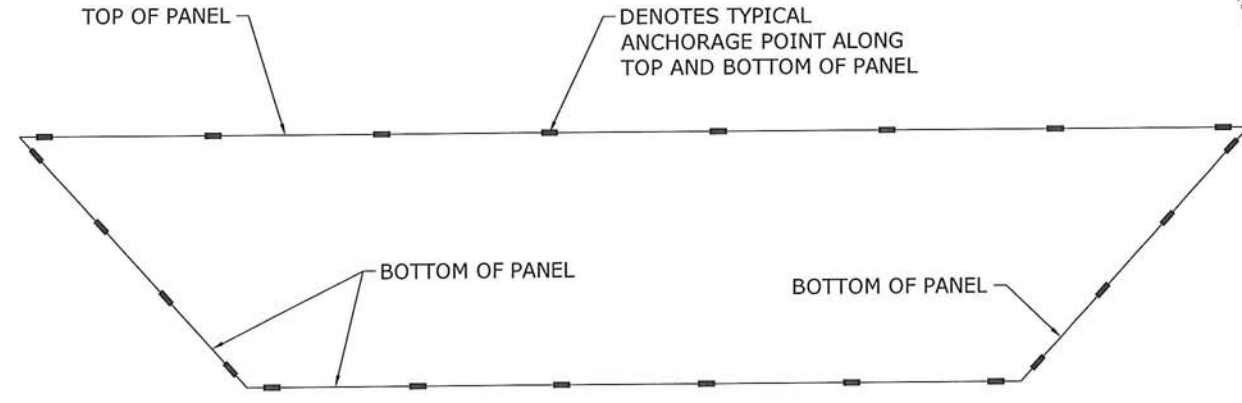
REMARKS	DRWN	CHKD	DATE
INIT ISSUE (14-2202)	KL	FLB	07/16/12
REV COM. (12-HFC-04-02)	KL	FLB	09/22/13
REV. FBC 5TH (2014)	CSL	TSB	02/27/15

15-2452
SCALE:
PAGE DESCRIPTION:
2

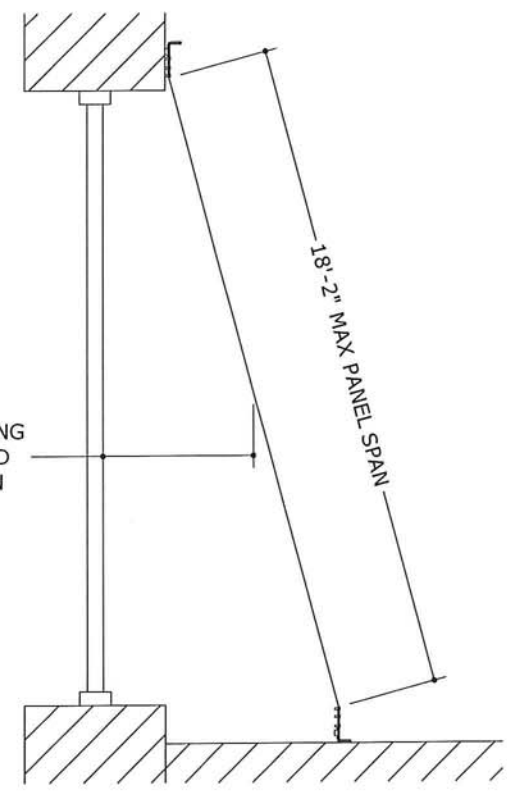


1
3 ANGLLED PANEL INSTALLTION
N.T.S. EXTERIOR ELEV

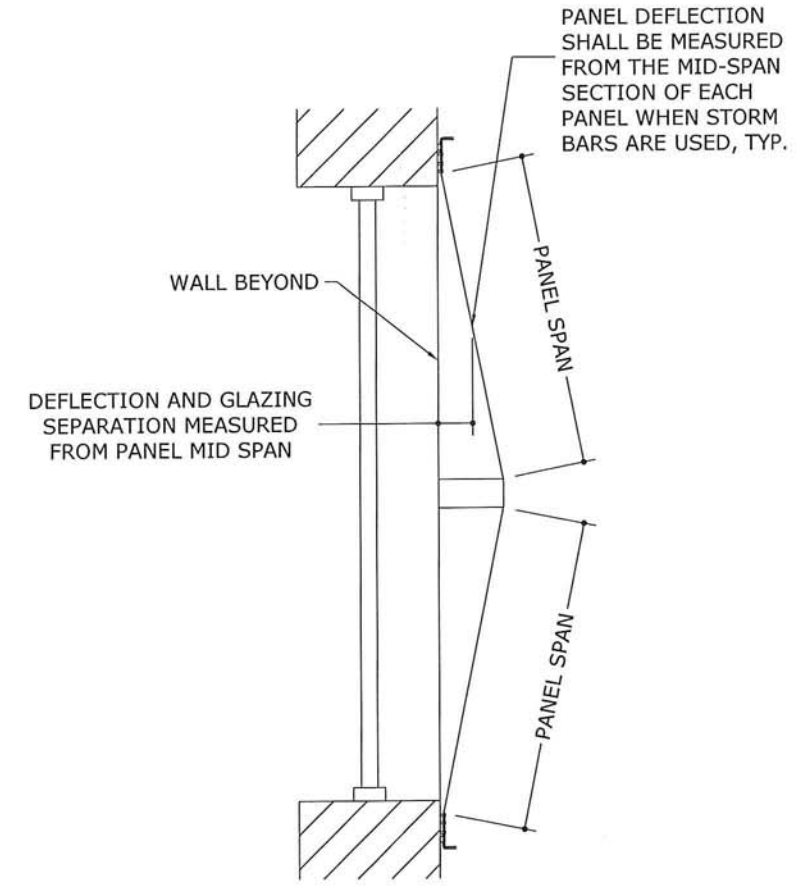
NOTE: NON-SPAN OVERLAP SHALL BE A MINIMUM OF 1.5 X THE PANEL PROJECTION FROM OPENING



2
3 ANGLLED PANEL INSTALLTION
N.T.S. PLAN VIEW



3
3 ANGLLED PANEL INSTALLTION
N.T.S. VERTICAL SECTION



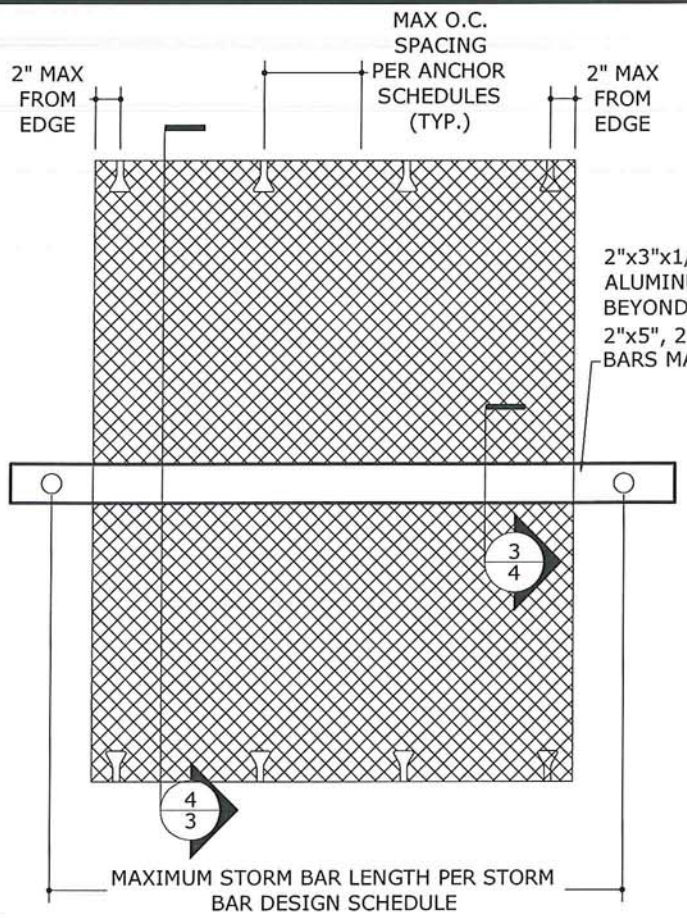
4
3 INSTALLATION W/ STORM BAR
N.T.S. VERTICAL SECTION

FRANK L. BENNARDO, P.E.
46549
LICENSE
04/20/2015
No. 46549
FL STATE OF
ENGINEERING EXPRESS
160 SW 12th AVENUE # 106
DEERFIELD BEACH, FL 33442
PH: (954) 354-0660 FAX: (954) 354-0949
WWW.ENGP.CORP.COM
A FRANK L. BENNARDO, P.E., INC. INVENTOR

HURRICANE FABRIC, LLC
1505 POINSETTIA DR, SUITE H-3
DELRAY BEACH, FL 33444
WWW.HURRICANEFABRIC.COM
ASTRO GUARD
WIND ABATEMENT SYSTEM
FBC 5TH EDITION (2014) PRODUCT APPROVAL
FL 17661.1

REMARKS	DRWN	CHKD	DATE
INIT ISSUE (14-2202)	KL	FLB	07/16/12
REV COM. (12-HFC-04-02)	KL	FLB	03/22/13
REV. FBC 5TH (2014)	CSL	TSB	02/27/15

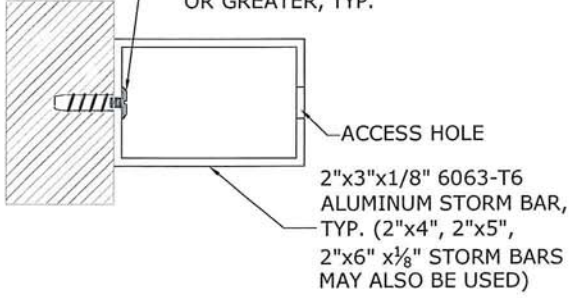
15-2452
SCALE:
PAGE DESCRIPTION:



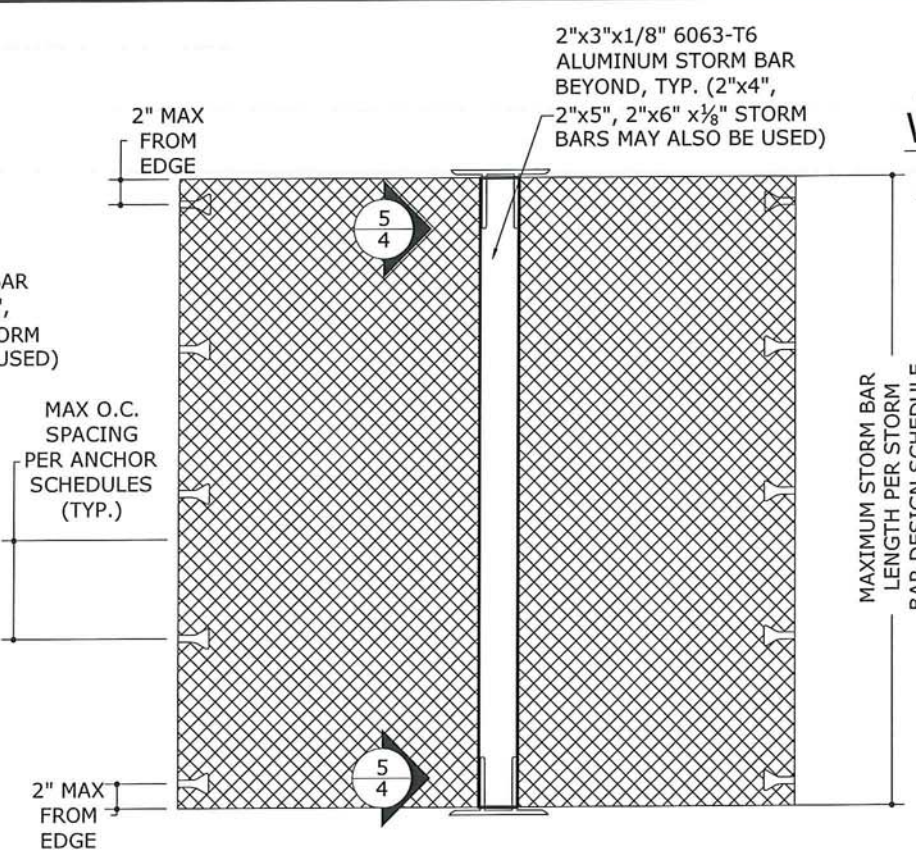
1 INSTALLATION W/ STORM BAR
4 N.T.S. EXTERIOR ELEV

STORM BARS & FABRIC MAY BE INSTALLED HORIZONTALLY OR VERTICALLY AS APPLICABLE (HORIZONTAL STORM BAR INSTALLATION WITH VERTICAL PANEL SPAN SHOWN HEREIN)

- (1)-1/4" ELCO PANELMATE INSERT AT EA END OF STORM BAR:
- W/ 1-5/8" MIN. EMBEDMENT, 4" MIN. EDGE DISTANCE, AND 4" MIN. SPACING TO 2700 PSI MIN. CONCRETE
 - 1-5/8" MIN. THREAD PENETRATION, 3/4" MIN. EDGE DISTANCE AND 2" MIN. SPACING TO WOOD (G=0.55 MIN). UTILIZE (2) PANELMATES FOR SPANS 12'-0" OR GREATER, TYP.

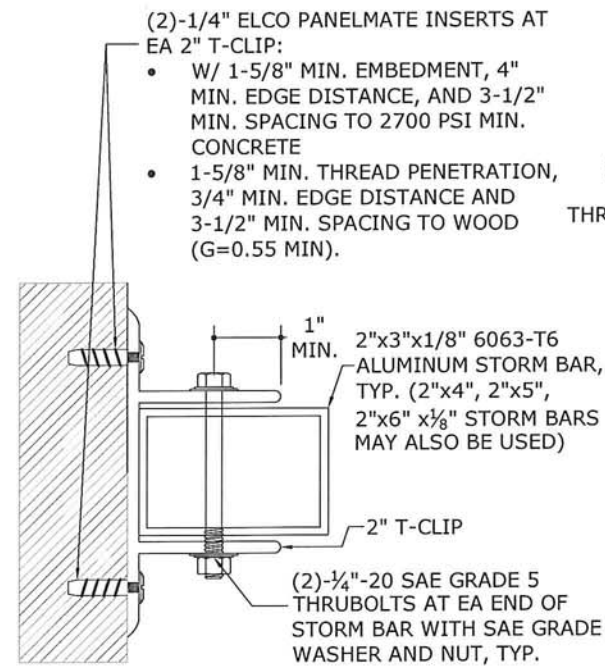


3 STORM BAR DIRECT MOUNT
4 4" = 1'-0" SECTION

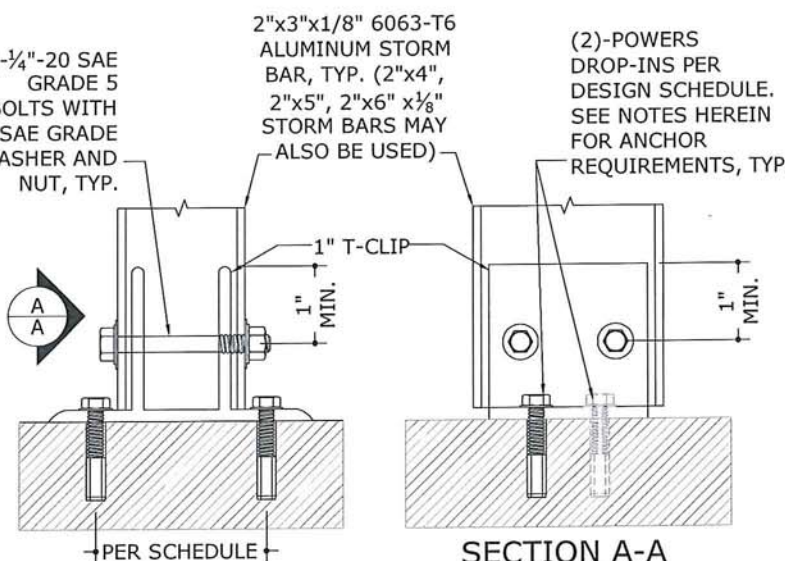


2 INSTALLATION W/ STORM BAR
4 N.T.S. EXTERIOR ELEV

STORM BARS & FABRIC MAY BE INSTALLED HORIZONTALLY OR VERTICALLY AS APPLICABLE (VERTICAL STORM BAR INSTALLATION WITH HORIZONTAL PANEL SPAN SHOWN HEREIN)



4 STORM BAR 2" T-CLIP MOUNT
4 4" = 1'-0" SECTION



5 STORM BAR 1" T-CLIP MOUNT
4 4" = 1'-0" SECTION

STORM BAR SCHEDULE (FOR USE WITH DIRECT MOUNT & 2" T-CLIP MOUNT):

STORM BAR DIRECT MOUNT & 2" T-CLIP: DESIGN SCHEDULE - MAX STORM BAR LENGTH

MAX PANEL SPAN	ANCHORS PER DETAIL 3/4 & 4/4			
	+60 PSF	+50 PSF	+40 PSF	+30 PSF
3 FT	75"	80"	86"	94"
4 FT	68"	72"	78"	86"
5 FT	63"	67"	72"	80"
6 FT	60"	63"	68"	75"
7 FT	56"	60"	65"	71"
8 FT	53"	57"	62"	68"
9 FT	50"	54"	60"	65"
10 FT	47"	52"	57"	63"
11 FT	45"	49"	55"	61"
12 FT	43"	47"	53"	60"
13 FT	41"	45"	51"	58"
14 FT	40"	44"	49"	56"
15 FT	39"	42"	47"	54"

STORM BAR SCHEDULE (FOR USE WITH 1" T-CLIP MOUNT):

STORM BAR 1" T-CLIP MOUNT: DESIGN SCHEDULE - MAX STORM BAR LENGTH

MAX PANEL SPAN	(2)-1/4" POWERS DROP-INS				(2)-3/8" POWERS DROP-INS			
	+60 PSF	+50 PSF	+40 PSF	+30 PSF	+60 PSF	+50 PSF	+40 PSF	+30 PSF
3 FT	75"	80"	86"	94"	75"	80"	86"	94"
4 FT	68"	72"	78"	86"	68"	72"	78"	86"
5 FT	63"	67"	72"	80"	63"	67"	72"	80"
6 FT	60"	63"	68"	75"	60"	63"	68"	75"
7 FT	56"	60"	65"	71"	56"	60"	65"	71"
8 FT	53"	57"	62"	68"	53"	57"	62"	68"
9 FT	47"	54"	60"	65"	50"	54"	60"	65"
10 FT	42"	51"	57"	63"	47"	52"	57"	63"
11 FT	39"	46"	55"	61"	45"	49"	55"	61"
12 FT	35"	42"	53"	60"	43"	47"	53"	60"
13 FT	33"	39"	49"	58"	41"	45"	51"	58"
14 FT	30"	36"	45"	56"	40"	44"	49"	56"
15 FT	28"	34"	42"	54"	39"	42"	47"	54"

NOTES:
 1. STORM BAR SCHEDULES ARE GOVERNED BY POSITIVE WIND LOAD DIRECTIONS ONLY. NEGATIVE WIND LOAD DIRECTIONS DO NOT SUBJECT THE STORM BARS TO ANY EXTERIOR LOADING.

1" T-CLIP ANCHOR SCHEDULE:

NUMBER OF ANCHORS/CLIP	DESCRIPTION
(2)-1/4" POWERS DROP-INS	UTILIZE (2) DROP-INS PER CLIP WITH 1" MIN EMBED, 3-1/2" SPACING, 5-1/4" EDGE DISTANCE TO 3000 PSI MIN CONCRETE
(2)-3/8" POWERS DROP-INS	UTILIZE (2) DROP-INS PER CLIP WITH 1-9/16" MIN EMBED, 2.88" SPACING, 5-1/4" EDGE DISTANCE TO 3000 PSI MIN CONCRETE

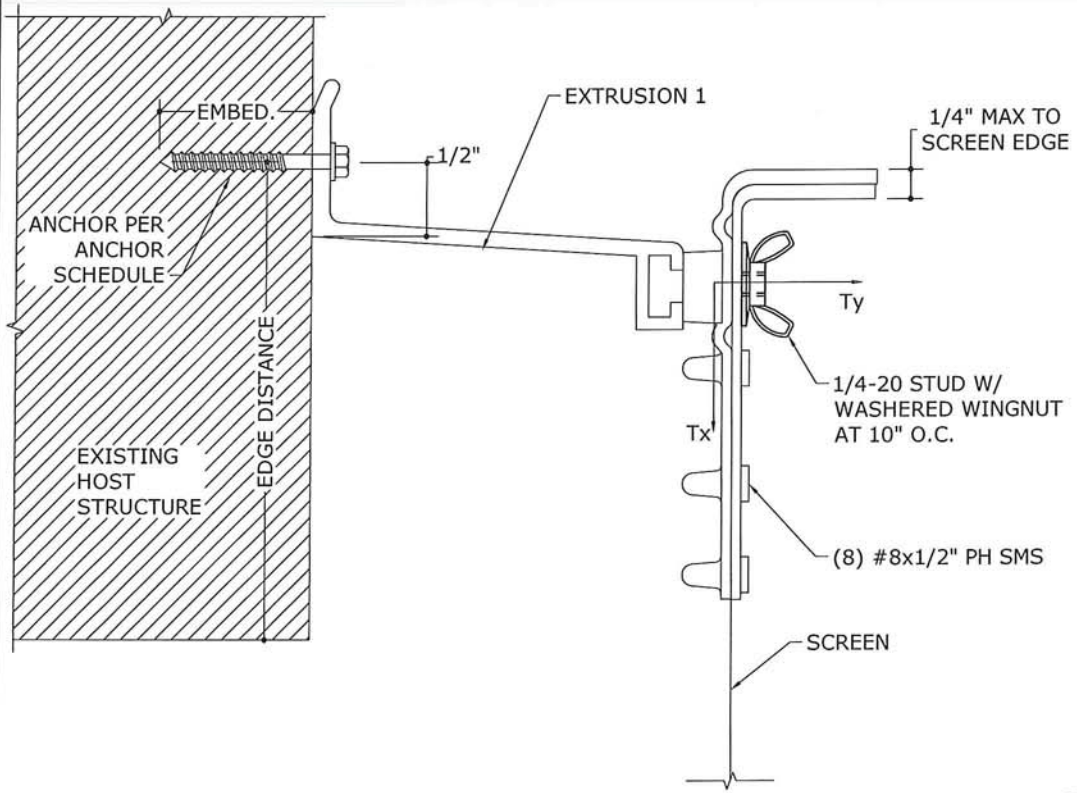
FRANK L. BENNARDO, P.E., INC. INNOVATION
 LICENSE 04/20/2015
 ENGINEERING EXPRESS
 STATE OF FLORIDA
 160 SW 12th AVENUE, #1105
 DEERFIELD BEACH, FL 33442
 PH: (954) 354-0660 FAX: (954) 354-0643
 WWW.ENGP.COM
 CERT OF AUTH #9885
 A FRANK L. BENNARDO, P.E., INC. INNOVATION

HURRICANE FABRIC, LLC
 1505 POINSETTIA DR, SUITE H-3
 DELRAY BEACH, FL 33444
 WWW.HURRICANEFABRIC.COM
 ASTRO GUARD
 WIND ABATEMENT SYSTEM
 FL17661.1
 FBC 5TH EDITION (2014) PRODUCT APPROVAL

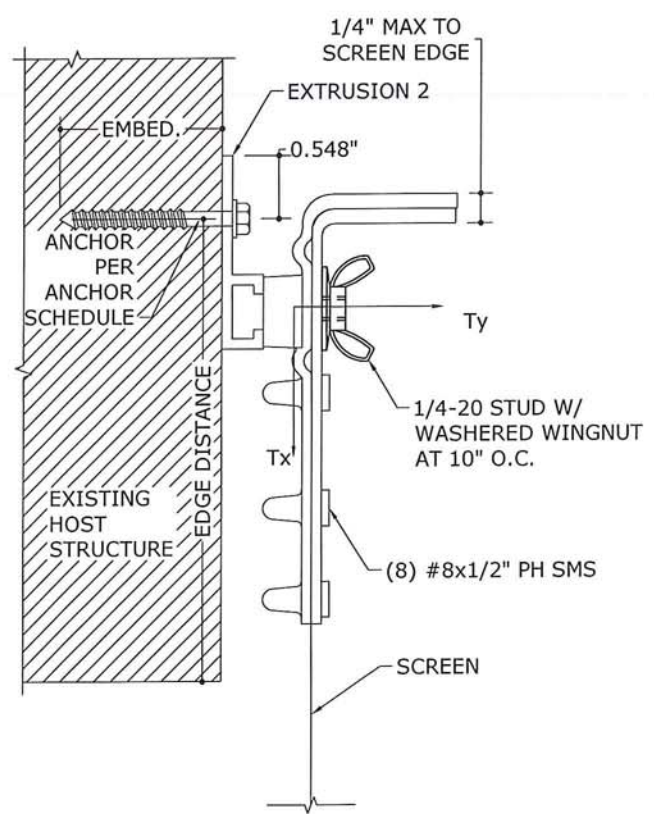
DRWN	CHKD	DATE
KL	FLB	07/16/12
KL	FLB	03/22/13
KL	CSL	02/27/15

REMARKS
 INIT ISSUE (14-2202)
 REV COM. (12-HFC-04-02)
 REV. FBC 5TH (2014)

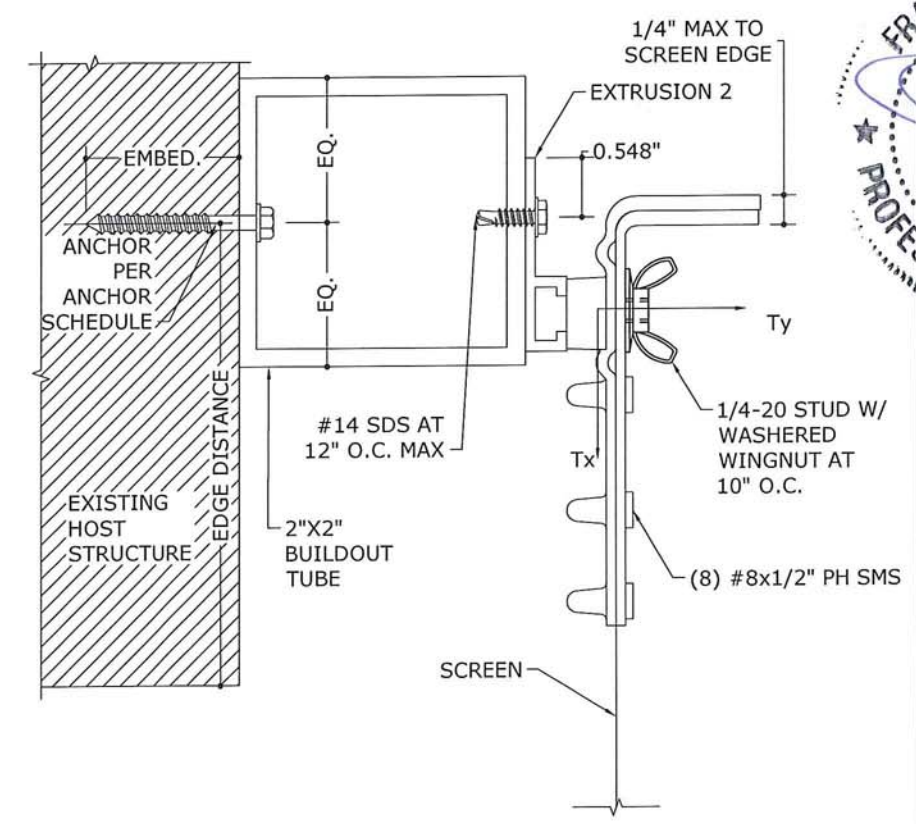
15-2452
 SCALE:
 PAGE DESCRIPTION:
 4



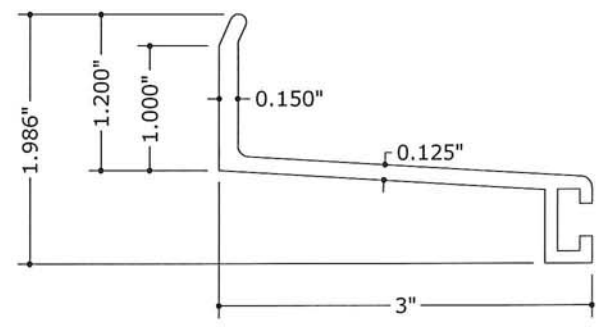
1
5 N.T.S. SECTION VIEW
ALTERNATE ATTACHMENT
EXTRUSION 1 MOUNT



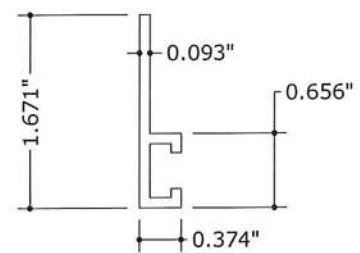
2
5 N.T.S. SECTION VIEW
ALTERNATE ATTACHMENT
EXTRUSION 2 MOUNT



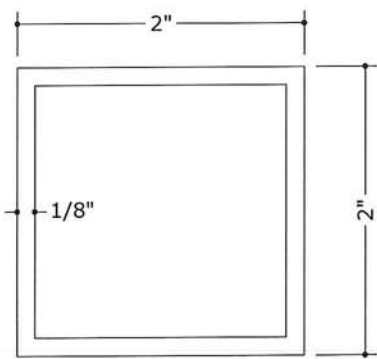
3
5 N.T.S. SECTION VIEW
ALTERNATE ATTACHMENT
BUILD OUT TUBE MOUNT



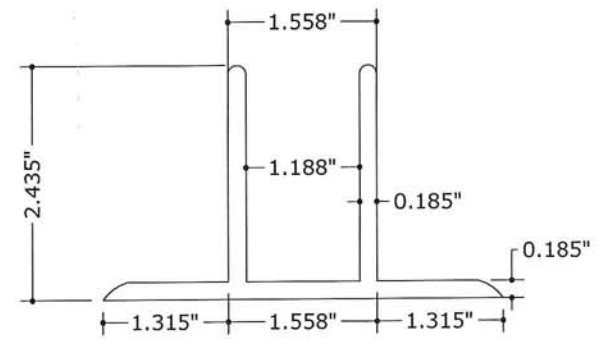
1 N.T.S. 6063-T6 ALUM
BUILD OUT F TRACK



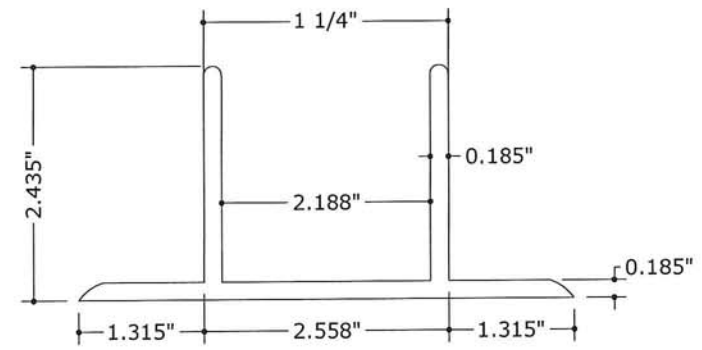
2 N.T.S. 6063-T6 ALUM
F TRACK



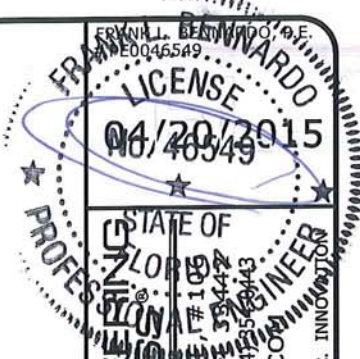
3 N.T.S. 6063-T6 ALUM
2"X2" BUILDOUT TUBE



4 N.T.S. 6063-T6 ALUM
1" T-CLIP



5 N.T.S. 6063-T6 ALUM
2" T-CLIP



ENGINEERING EXPRESS
STATE OF FLORIDA
160 SW 12th AVENUE, RT# 109
DEERFIELD BEACH, FL 33442
Ph: (954) 354-0660 Fax: (954) 354-8943
WWW.ENGINEERINGEXPRESS.COM
A. FRANK L. BENNARDO, P.E., INC. INNOVATION

HURRICANE FABRIC, LLC
1505 POINSETTIA DR, SUITE H-3
DELRAY BEACH, FL 33444
WWW.HURRICANEFABRIC.COM
ASTRO GUARD
WIND ABATEMENT SYSTEM
FBC 5TH EDITION (2014) PRODUCT APPROVAL
FL17661.1

REMARKS	DRWN	CHKD	DATE
INIT ISSUE (14-2202)	KL	FLB	07/16/12
REV COM. (12-HFC-04-02)	KL	FLB	03/22/13
REV. FBC 5TH (2014)	CSL	TSB	02/27/15

15-2452
SCALE:
PAGE DESCRIPTION:

ANCHOR NOTES:

- SEE EXTERIOR ELEVATION FOR ANCHOR LOCATIONS AND/OR SPACING.
- PRESSURES LISTED IN ANCHOR SPACING SCHEDULES REPRESENT BOTH POSITIVE AND NEGATIVE PRESSURES.
- ANCHORS SHALL BE INSTALLED IN ACCORDANCE WITH MANUFACTURERS' RECOMMENDATIONS.
- UNLESS OTHERWISE NOTED HEREIN, WHERE ANCHORS FASTEN TO NARROW FACE OF STUD FRAMING, ANCHOR SHALL BE LOCATED IN CENTER OF NOMINAL 2x (MIN) WOOD STUD (i.e. 3/4" EDGE DISTANCE IS ACCEPTABLE FOR ANCHORS TO WOOD FRAMING).
- WOOD HOST STRUCTURE SHALL BE "SOUTHERN PINE" G=0.55 OR GREATER DENSITY.
- MINIMUM EMBEDMENT SHALL BE AS NOTED IN ANCHOR SCHEDULE. MINIMUM EMBEDMENT AND EDGE DISTANCE EXCLUDES STUCCO, FOAM, BRICK, AND OTHER WALL FINISHES.
- ANCHOR SCHEDULE APPLIES TO ALL PRODUCTS CERTIFIED HEREIN, BUT ONLY PROVIDES MAXIMUM ALLOWABLE ANCHOR SPACING. MAXIMUM ALLOWABLE SPANS AND PRESSURES INDICATED IN SPAN SCHEDULE SHALL APPLY.
- ALL CONCRETE ANCHOR SHALL BE INSTALLED TO NON-CRACKED CONCRETE ONLY. ALL EXISTING BLOCK SHALL BE ASTM C-90 MIN.
- WHERE EXISTING STRUCTURE IS WOOD FRAMING, EXISTING CONDITIONS MAY VARY. FIELD VERIFY THAT FASTENERS ARE INTO ADEQUATE WOOD FRAMING MEMBERS, NOT INTO PLYWOOD.
- MACHINE SCREWS SHALL HAVE MINIMUM OF 1/2" ENGAGEMENT OF THREADS IN BASE ANCHOR AND MAY HAVE EITHER A PAN HEAD, TRUSS HEAD, OR WAFER HEAD ("SIDEWALK BOLT") U.N.O.
- DESIGNATES ANCHOR CONDITIONS WHICH ARE NOT ACCEPTABLE FOR USE.
- EDGE DISTANCES AND EMBEDMENT REQUIREMENTS ARE AS FOLLOWS:

12.1. 1/4" ITW SAMMY SSC

- 2-1/4" EMBEDMENT AND 2-1/2" EDGE DISTANCE TO CONCRETE
- 1-1/4" EMBEDMENT AND 2-1/2" EDGE DISTANCE TO HOLLOW CONCRETE BLOCK
- 2-1/2" EMBEDMENT AND 2-1/2" EDGE DISTANCE TO GROUT-FILLED CONCRETE BLOCK

12.2. 1/4" ELCO PANELMATE (MALE OR FEMALE)

- 1-3/4" EMBEDMENT AND 2-1/2" EDGE DISTANCE TO CONCRETE
- 1-1/4" EMBEDMENT AND 3" EDGE DISTANCE TO HOLLOW AND GROUT-FILLED CONCRETE BLOCK
- 1-7/8" EMBEDMENT AND 3/4" EDGE DISTANCE TO WOOD

12.3. 1/4" POWERS HOLLOW-SET DROPIN

- 7/8" EMBEDMENT AND 3-1/2" EDGE DISTANCE TO CONCRETE AND HOLLOW AND GROUT-FILLED CONCRETE BLOCK

12.4. 1/4" ELCO PANELMATE INSERT

- 1-5/8" EMBEDMENT AND 4" EDGE DISTANCE TO CONCRETE
- 1-1/4" EMBEDMENT AND 3-1/2" EDGE DISTANCE TO HOLLOW CONCRETE BLOCK
- 1-1/2" EMBEDMENT AND 3-1/2" EDGE DISTANCE TO GROUT-FILLED CONCRETE BLOCK

12.5. 1/4" ALL POINTS SOLID-SET

- 7/8" EMBEDMENT AND 3" EDGE DISTANCE TO CONCRETE AND HOLLOW AND GROUT-FILLED CONCRETE BLOCK

12.6. 1/4" POWERS STEEL DROPIN

- 1" EMBEDMENT AND 3-1/2" EDGE DISTANCE TO CONCRETE

12.7. 3/8" POWERS STEEL DROPIN

- 1-9/16" EMBEDMENT AND 5-1/4" EDGE DISTANCE TO CONCRETE

12.8. 1/4" POWERS POWER-STUD (STAINLESS STEEL)

- 2" EMBEDMENT AND 3" EDGE DISTANCE TO CONCRETE
- 2" EMBEDMENT AND 5-1/4" EDGE DISTANCE TO GROUT-FILLED CONCRETE BLOCK

12.9. 1/4" ELCO PANELMATE TVAS

- 2" EMBEDMENT AND 2-1/2" EDGE DISTANCE TO CONCRETE
- 1-1/4" EMBEDMENT AND 3" EDGE DISTANCE TO HOLLOW AND GROUT-FILLED CONCRETE BLOCK
- 1-7/8" EMBEDMENT AND 3/4" EDGE DISTANCE TO WOOD

12.10. 1/4" ELCO PANELMATE FEMALE ID

- 1-3/4" EMBEDMENT AND 2-1/2" EDGE DISTANCE TO CONCRETE
- 1-1/4" EMBEDMENT AND 3" EDGE DISTANCE TO HOLLOW AND GROUT-FILLED CONCRETE BLOCK
- 1-7/8" EMBEDMENT AND 3/4" EDGE DISTANCE TO WOOD

1/4" ITW SAMMY SSC ANCHOR SCHEDULE - INTERIOR MOUNT CONDITION (IN. O.C.)												
SPAN	3295 PSI MIN CONCRETE				HOLLOW CONCRETE BLOCK				GROUT-FILLED CONCRETE BLOCK			
	DESIGN PRESSURE				DESIGN PRESSURE				DESIGN PRESSURE			
	60 PSF	50 PSF	40 PSF	30 PSF	60 PSF	50 PSF	40 PSF	30 PSF	60 PSF	50 PSF	40 PSF	30 PSF
4'-0"	10.0	10.0	10.0	10.0	10.0	10.0	10.0	10.0	10.0	10.0	10.0	10.0
6'-0"	10.0	10.0	10.0	10.0	8.2	9.4	10.0	10.0	10.0	10.0	10.0	10.0
8'-0"	10.0	10.0	10.0	10.0	6.5	7.5	9.0	10.0	8.8	10.0	10.0	10.0
10'-0"	10.0	10.0	10.0	10.0	5.4	6.3	7.5	9.4	7.2	8.5	10.0	10.0
12'-0"	10.0	10.0	10.0	10.0	4.6	5.4	6.5	8.2	6.1	7.2	8.8	10.0
14'-0"	10.0	10.0	10.0	10.0	4.1	4.7	5.7	7.2	5.3	6.3	7.6	9.9
14'-8"	9.6	10.0	10.0	10.0	4.6	5.5	6.9	8.2	5.1	6.0	7.3	9.5
16'-0"	8.9	10.0	10.0	10.0	4.2	5.1	6.5	8.2	4.7	5.5	6.8	8.8
17'-0"	8.4	9.9	10.0	10.0	4.0	4.9	6.2	7.2	4.4	5.3	6.4	8.3
18'-2"	7.9	9.3	10.0	10.0	4.6	5.8	7.2	8.2	4.2	4.9	6.1	7.8

1/4" ITW SAMMY SSC ANCHOR SCHEDULE - WALL MOUNT CONDITION (IN. O.C.)												
SPAN	3295 PSI MIN CONCRETE				HOLLOW CONCRETE BLOCK				GROUT-FILLED CONCRETE BLOCK			
	DESIGN PRESSURE				DESIGN PRESSURE				DESIGN PRESSURE			
	60 PSF	50 PSF	40 PSF	30 PSF	60 PSF	50 PSF	40 PSF	30 PSF	60 PSF	50 PSF	40 PSF	30 PSF
4'-0"	10.0	10.0	10.0	10.0	9.7	10.0	10.0	10.0	10.0	10.0	10.0	10.0
6'-0"	10.0	10.0	10.0	10.0	7.2	8.2	9.7	10.0	8.3	9.4	10.0	10.0
8'-0"	10.0	10.0	10.0	10.0	5.8	6.7	7.8	9.7	6.8	7.7	9.0	10.0
10'-0"	10.0	10.0	10.0	10.0	4.9	5.6	6.7	8.2	5.8	6.6	7.7	9.4
12'-0"	10.0	10.0	10.0	10.0	4.3	4.9	5.8	7.2	5.1	5.8	6.8	8.3
14'-0"	9.0	10.0	10.0	10.0	4.4	5.2	6.4	7.2	4.6	5.2	6.1	7.4
14'-8"	8.7	10.0	10.0	10.0	4.2	5.0	6.2	7.2	4.4	5.0	5.9	7.2
16'-0"	8.2	9.4	10.0	10.0	4.7	5.8	7.2	8.2	4.1	4.7	5.5	6.8
17'-0"	7.8	9.0	10.0	10.0	4.5	5.6	6.7	7.2	4.5	5.3	6.5	8.1
18'-2"	7.4	8.5	10.0	10.0	4.3	5.3	6.4	7.2	4.3	5.1	6.2	7.8

1/4" ELCO PANELMATE (MALE OR FEMALE) ANCHOR SCHEDULE - INTERIOR MOUNT CONDITION (IN. O.C.)												
SPAN	3323 PSI MIN CONCRETE				HOLLOW AND GROUT-FILLED CONCRETE BLOCK				G=0.55 MIN. WOOD			
	DESIGN PRESSURE				DESIGN PRESSURE				DESIGN PRESSURE			
	60 PSF	50 PSF	40 PSF	30 PSF	60 PSF	50 PSF	40 PSF	30 PSF	60 PSF	50 PSF	40 PSF	30 PSF
4'-0"	10.0	10.0	10.0	10.0	8.9	10.0	10.0	10.0	10.0	10.0	10.0	10.0
6'-0"	10.0	10.0	10.0	10.0	6.5	7.5	8.9	10.0	10.0	10.0	10.0	10.0
8'-0"	10.0	10.0	10.0	10.0	5.2	6.0	7.2	8.9	8.6	10.0	10.0	10.0
10'-0"	10.0	10.0	10.0	10.0	4.4	5.1	6.0	7.5	7.1	8.3	10.0	10.0
12'-0"	8.8	10.0	10.0	10.0	4.4	5.2	6.5	8.2	6.0	7.1	8.6	10.0
14'-0"	7.7	9.0	10.0	10.0	4.6	5.8	7.2	8.2	5.3	6.2	7.5	9.6
14'-8"	7.4	8.7	10.0	10.0	4.5	5.6	7.0	8.2	5.0	5.9	7.2	9.2
16'-0"	6.9	8.1	9.7	10.0	4.2	5.2	6.5	8.2	4.7	5.5	6.7	8.6
17'-0"	6.6	7.7	9.2	10.0	5.0	6.4	7.8	8.2	4.4	5.2	6.3	8.1
18'-2"	6.2	7.2	8.7	10.0	4.7	6.1	7.5	8.2	4.2	4.9	6.0	7.7

1/4" ELCO PANELMATE (MALE OR FEMALE) ANCHOR SCHEDULE - WALL MOUNT CONDITION (IN. O.C.)												
SPAN	3323 PSI MIN CONCRETE				HOLLOW AND GROUT-FILLED CONCRETE BLOCK				G=0.55 MIN. WOOD			
	DESIGN PRESSURE				DESIGN PRESSURE				DESIGN PRESSURE			
	60 PSF	50 PSF	40 PSF	30 PSF	60 PSF	50 PSF	40 PSF	30 PSF	60 PSF	50 PSF	40 PSF	30 PSF
4'-0"	10.0	10.0	10.0	10.0	8.7	9.9	10.0	10.0	10.0	10.0	10.0	10.0
6'-0"	10.0	10.0	10.0	10.0	6.4	7.3	8.7	10.0	8.9	10.0	10.0	10.0
8'-0"	10.0	10.0	10.0	10.0	5.1	5.9	7.0	8.7	7.2	8.3	9.7	10.0
10'-0"	9.4	10.0	10.0	10.0	4.3	5.0	5.9	7.3	6.1	7.0	8.3	10.0
12'-0"	8.2	9.4	10.0	10.0	4.3	5.1	6.4	7.2	5.3	6.1	7.2	8.9
14'-0"	7.3	8.3	9.9	10.0	4.6	5.7	7.0	8.2	4.8	5.5	6.4	8.0
14'-8"	7.0	8.1	9.5	10.0	4.4	5.5	6.8	8.2	4.6	5.3	6.2	7.7
16'-0"	6.6	7.5	8.9	10.0	4.1	5.1	6.4	7.2	4.3	4.9	5.8	7.2
17'-0"	6.3	7.2	8.5	10.0	4.9	6.1	7.5	8.2	4.1	4.7	5.6	6.9
18'-2"	6.0	6.8	8.1	10.0	4.7	5.9	7.3	8.2	4.5	5.3	6.6	8.1

FRANK L. BENNARDO, P.E.
 LICENSE NO. 46549
 04/20/2015
 PROFESSIONAL ENGINEERING
 STATE OF FLORIDA
 ENGINEERING EXPRESS, LLC
 160 SW 12th AVENUE, #1105
 DEERFIELD BEACH, FL 33442
 PH: (954) 354-0660 FAX: (954) 354-0443
 WWW.ENGINEERINGEXPRESS.COM
 CERT. OF AUTH. #9885
 A FRANK L. BENNARDO, P.E., INC. INNOVATION

HURRICANE FABRIC, LLC
 1505 POINSETTIA DR, SUITE H-3
 DELRAY BEACH, FL 33444
 WWW.HURRICANEFABRIC.COM
 ASTRO GUARD
 WIND ABATEMENT SYSTEM
 FBC 5TH EDITION (2014) PRODUCT APPROVAL
 FL17661.1

REMARKS	DRWN	CHKD	DATE
INIT ISSUE (14-2202)	KL	FLB	07/16/12
REV COM. (12-HFC-04-02)	KL	FLB	03/22/13
REV. FBC 5TH (2014)	CSL	TSB	02/27/15

15-2452
 SCALE:
 PAGE DESCRIPTION:

1/4" POWERS HOLLOW-SET DROPIN ANCHOR SCHEDULE INTERIOR MOUNT CONDITION (IN. O.C.)								
SPAN	4000 PSI MIN CONCRETE				HOLLOW AND GROUT-FILLED CONCRETE BLOCK			
	DESIGN PRESSURE				DESIGN PRESSURE			
	60 PSF	50 PSF	40 PSF	30 PSF	60 PSF	50 PSF	40 PSF	30 PSF
4'-0"	10.0	10.0	10.0	10.0	5.2	5.9	6.8	8.3
6'-0"	9.6	10.0	10.0	10.0	4.5	5.2	6.3	
8'-0"	7.7	8.9	10.0	10.0		4.3	5.2	
10'-0"	6.5	7.5	8.9	10.0			4.5	
12'-0"	5.7	6.5	7.7	9.6				
14'-0"	5.1	5.8	6.9	8.5				
14'-8"	4.9	5.6	6.7	8.3				
16'-0"	4.6	5.3	6.2	7.7				
17'-0"	4.4	5.0	5.9	7.4				
18'-2"	4.1	4.8	5.7	7.0				

1/4" POWERS HOLLOW-SET DROPIN ANCHOR SCHEDULE WALL MOUNT CONDITION (IN. O.C.)								
SPAN	4000 PSI MIN CONCRETE				HOLLOW AND GROUT-FILLED CONCRETE BLOCK			
	DESIGN PRESSURE				DESIGN PRESSURE			
	60 PSF	50 PSF	40 PSF	30 PSF	60 PSF	50 PSF	40 PSF	30 PSF
4'-0"	10.0	10.0	10.0	10.0	8.3	9.7	10.0	10.0
6'-0"	10.0	10.0	10.0	10.0	5.7	6.8	8.3	10.0
8'-0"	8.4	9.7	10.0	10.0	4.4	5.2	6.4	8.3
10'-0"	7.0	8.1	9.7	10.0		4.3	5.2	6.8
12'-0"	6.0	7.0	8.4	10.0			4.4	5.7
14'-0"	5.3	6.2	7.4	9.3				5.0
14'-8"	5.1	5.9	7.1	9.0				4.8
16'-0"	4.8	5.5	6.6	8.4				4.4
17'-0"	4.5	5.3	6.3	8.0				4.2
18'-2"	4.3	5.0	6.0	7.6				

1/4" ALL POINTS SOLID-SET ANCHOR SCHEDULE - INTERIOR MOUNT CONDITION (IN. O.C.)								
SPAN	3000 PSI MIN CONCRETE				HOLLOW AND GROUT-FILLED CONCRETE BLOCK			
	DESIGN PRESSURE				DESIGN PRESSURE			
	60 PSF	50 PSF	40 PSF	30 PSF	60 PSF	50 PSF	40 PSF	30 PSF
4'-0"	10.0	10.0	10.0	10.0	10.0	10.0	10.0	10.0
6'-0"	10.0	10.0	10.0	10.0	10.0	10.0	10.0	10.0
8'-0"	10.0	10.0	10.0	10.0	8.0	9.3	10.0	10.0
10'-0"	10.0	10.0	10.0	10.0	6.8	7.8	9.3	10.0
12'-0"	10.0	10.0	10.0	10.0	5.9	6.8	8.0	10.0
14'-0"	9.0	10.0	10.0	10.0	5.2	6.0	7.1	8.9
14'-8"	8.7	10.0	10.0	10.0	5.0	5.8	6.9	8.6
16'-0"	8.1	9.4	10.0	10.0	4.7	5.4	6.4	8.0
17'-0"	7.7	8.9	10.0	10.0	4.4	5.1	6.1	7.7
18'-2"	7.3	8.5	10.0	10.0	4.2	4.9	5.8	7.3

1/4" ALL POINTS SOLID-SET ANCHOR SCHEDULE - WALL MOUNT CONDITION (IN. O.C.)								
SPAN	3000 PSI MIN CONCRETE				HOLLOW AND GROUT-FILLED CONCRETE BLOCK			
	DESIGN PRESSURE				DESIGN PRESSURE			
	60 PSF	50 PSF	40 PSF	30 PSF	60 PSF	50 PSF	40 PSF	30 PSF
4'-0"	10.0	10.0	10.0	10.0	10.0	10.0	10.0	10.0
6'-0"	10.0	10.0	10.0	10.0	10.0	10.0	10.0	10.0
8'-0"	10.0	10.0	10.0	10.0	8.1	9.3	10.0	10.0
10'-0"	10.0	10.0	10.0	10.0	6.8	7.8	9.3	10.0
12'-0"	10.0	10.0	10.0	10.0	5.9	6.8	8.1	10.0
14'-0"	9.1	10.0	10.0	10.0	5.2	6.0	7.1	8.9
14'-8"	8.8	10.0	10.0	10.0	5.0	5.8	6.9	8.6
16'-0"	8.2	9.5	10.0	10.0	4.7	5.4	6.4	8.1
17'-0"	7.8	9.0	10.0	10.0	4.4	5.1	6.1	7.7
18'-2"	7.4	8.5	10.0	10.0	4.2	4.9	5.8	7.3

1/4" ELCO PANELMATE INSERT ANCHOR SCHEDULE - INTERIOR MOUNT CONDITION (IN. O.C.)												
SPAN	2700 PSI MIN CONCRETE				HOLLOW CONCRETE BLOCK				GROUT-FILLED CONCRETE BLOCK			
	DESIGN PRESSURE				DESIGN PRESSURE				DESIGN PRESSURE			
	60 PSF	50 PSF	40 PSF	30 PSF	60 PSF	50 PSF	40 PSF	30 PSF	60 PSF	50 PSF	40 PSF	30 PSF
4'-0"	10.0	10.0	10.0	10.0	10.0	10.0	10.0	10.0	10.0	10.0	10.0	10.0
6'-0"	10.0	10.0	10.0	10.0	9.7	10.0	10.0	10.0	10.0	10.0	10.0	10.0
8'-0"	10.0	10.0	10.0	10.0	7.8	9.0	10.0	10.0	7.9	9.2	10.0	10.0
10'-0"	8.6	10.0	10.0	10.0	6.5	7.5	9.0	10.0	6.6	7.7	9.2	10.0
12'-0"	7.3	8.6	10.0	10.0	5.6	6.5	7.8	9.7	5.7	6.6	7.9	10.0
14'-0"	6.4	7.5	9.2	10.0	5.0	5.7	6.9	8.6	5.1	5.9	7.0	8.8
14'-8"	6.1	7.2	8.8	10.0	4.8	5.5	6.6	8.3	4.9	5.6	6.8	8.5
16'-0"	5.7	6.7	8.1	10.0	4.4	5.2	6.2	7.8	4.5	5.3	6.3	7.9
17'-0"	5.4	6.3	7.7	10.0	4.2	4.9	5.9	7.4	4.3	5.0	6.0	7.6
18'-2"	5.1	6.0	7.3	9.4		4.6	5.6	7.0	4.1	4.7	5.7	7.2

1/4" ELCO PANELMATE INSERT ANCHOR SCHEDULE - WALL MOUNT CONDITION (IN. O.C.)												
SPAN	2700 PSI MIN CONCRETE				HOLLOW CONCRETE BLOCK				GROUT-FILLED CONCRETE BLOCK			
	DESIGN PRESSURE				DESIGN PRESSURE				DESIGN PRESSURE			
	60 PSF	50 PSF	40 PSF	30 PSF	60 PSF	50 PSF	40 PSF	30 PSF	60 PSF	50 PSF	40 PSF	30 PSF
4'-0"	10.0	10.0	10.0	10.0	10.0	10.0	10.0	10.0	10.0	10.0	10.0	10.0
6'-0"	10.0	10.0	10.0	10.0	9.2	10.0	10.0	10.0	9.3	10.0	10.0	10.0
8'-0"	8.3	9.4	10.0	10.0	7.4	8.5	10.0	10.0	7.5	8.6	10.0	10.0
10'-0"	7.1	8.1	9.4	10.0	6.2	7.2	8.5	10.0	6.3	7.2	8.6	10.0
12'-0"	6.2	7.1	8.3	10.0	5.4	6.2	7.4	9.2	5.5	6.3	7.5	9.3
14'-0"	5.6	6.3	7.4	9.1	4.8	5.5	6.6	8.2	4.9	5.6	6.6	8.3
14'-8"	5.4	6.1	7.2	8.8	4.6	5.3	6.3	7.9	4.7	5.4	6.4	8.0
16'-0"	5.1	5.8	6.8	8.3	4.3	5.0	5.9	7.4	4.4	5.1	6.0	7.5
17'-0"	4.8	5.5	6.5	7.9	4.1	4.8	5.7	7.1	4.2	4.8	5.7	7.1
18'-2"	4.6	5.3	6.2	7.6		4.5	5.4	6.7		4.6	5.4	6.8

1/4" POWERS STEEL DROPIN ANCHOR SCHEDULE INTERIOR MOUNT CONDITION (IN. O.C.)				
SPAN	4000 PSI MIN CONCRETE			
	DESIGN PRESSURE			
	60 PSF	50 PSF	40 PSF	30 PSF
4'-0"	10.0	10.0	10.0	10.0
6'-0"	10.0	10.0	10.0	10.0
8'-0"	10.0	10.0	10.0	10.0
10'-0"	10.0	10.0	10.0	10.0
12'-0"	9.4	10.0	10.0	10.0
14'-0"	8.3	9.6	10.0	10.0
14'-8"	8.0	9.2	10.0	10.0
16'-0"	7.5	8.6	10.0	10.0
17'-0"	7.1	8.2	9.8	10.0
18'-2"	6.8	7.8	9.3	10.0

3/8" POWERS STEEL DROPIN ANCHOR SCHEDULE INTERIOR MOUNT CONDITION (IN. O.C.)				
SPAN	4000 PSI MIN CONCRETE			
	DESIGN PRESSURE			
	60 PSF	50 PSF	40 PSF	30 PSF
4'-0"	10.0	10.0	10.0	10.0
6'-0"	10.0	10.0	10.0	10.0
8'-0"	10.0	10.0	10.0	10.0
10'-0"	10.0	10.0	10.0	10.0
12'-0"	10.0	10.0	10.0	10.0
14'-0"	10.0	10.0	10.0	10.0
14'-8"	10.0	10.0	10.0	10.0
16'-0"	10.0	10.0	10.0	10.0
17'-0"	10.0	10.0	10.0	10.0
18'-2"	10.0	10.0	10.0	10.0

1/4" POWERS STEEL DROPIN ANCHOR SCHEDULE WALL MOUNT CONDITION (IN. O.C.)				
SPAN	4000 PSI MIN CONCRETE			
	DESIGN PRESSURE			
	60 PSF	50 PSF	40 PSF	30 PSF
4'-0"	10.0	10.0	10.0	10.0
6'-0"	10.0	10.0	10.0	10.0
8'-0"	10.0	10.0	10.0	10.0
10'-0"	10.0	10.0	10.0	10.0
12'-0"	9.5	10.0	10.0	10.0
14'-0"	8.4	9.8	10.0	10.0
14'-8"	8.1	9.4	10.0	10.0
16'-0"	7.6	8.8	10.0	10.0
17'-0"	7.2	8.4	10.0	10.0
18'-2"	6.8	7.9	9.5	10.0

3/8" POWERS STEEL DROPIN ANCHOR SCHEDULE WALL MOUNT CONDITION (IN. O.C.)				
SPAN	4000 PSI MIN CONCRETE			
	DESIGN PRESSURE			
	60 PSF	50 PSF	40 PSF	30 PSF
4'-0"	10.0	10.0	10.0	10.0
6'-0"	10.0	10.0	10.0	10.0
8'-0"	10.0	10.0	10.0	10.0
10'-0"	10.0	10.0	10.0	10.0
12'-0"	10.0	10.0	10.0	10.0
14'-0"	10.0	10.0	10.0	10.0
14'-8"	10.0	10.0	10.0	10.0
16'-0"	10.0	10.0	10.0	10.0
17'-0"	10.0	10.0	10.0	10.0
18'-2"	10.0	10.0	10.0	10.0

NOTE: SEE SHEET 6 FOR ANCHOR NOTES

FRANK L. BENNARDO, P.E.
 LICENSE # 04202015
 No. 46549
 PROFESSIONAL ENGINEERING
 EXPRESSIONS, INC.
 STATE OF FLORIDA
 160 SW 12th AVENUE, #106
 DEERFIELD BEACH, FL 33442
 Ph: (954) 354-0660 Fax: (954) 354-0443
 WWW.ENGINEERINGEXPRESS.COM
 CERT. OF AUTH. #8885
 A FRANK L. BENNARDO, P.E., INC. INNOVATOR

HURRICANE FABRIC, LLC
 1505 POINSETTIA DR, SUITE H-3
 DELRAY BEACH, FL 33444
 WWW.HURRICANEFABRIC.COM
 ASTRO GUARD
 WIND ABATEMENT SYSTEM
 FBC 5TH EDITION (2014) PRODUCT APPROVAL
 FL17661.1

REMARKS	DRWN	CHKD	DATE
INIT ISSUE (14-2202)	KL	FLB	07/16/12
REV COM. (12-HFC-04-02)	KL	FLB	03/22/13
REV. FBC 5TH (2014)	CSL	TSB	02/27/15

15-2452
 SCALE:
 PAGE DESCRIPTION:

1/4" POWERS POWER-STUD ANCHOR SCHEDULE - INTERIOR MOUNT CONDITION (IN. O.C.)								
SPAN	4000 PSI MIN CONCRETE				GROUT-FILLED CONCRETE BLOCK			
	DESIGN PRESSURE				DESIGN PRESSURE			
	60 PSF	50 PSF	40 PSF	30 PSF	60 PSF	50 PSF	40 PSF	30 PSF
4'-0"	10.0	10.0	10.0	10.0	10.0	10.0	10.0	10.0
6'-0"	10.0	10.0	10.0	10.0	9.5	10.0	10.0	10.0
8'-0"	10.0	10.0	10.0	10.0	7.5	8.8	10.0	10.0
10'-0"	10.0	10.0	10.0	10.0	6.3	7.3	8.8	10.0
12'-0"	8.6	10.0	10.0	10.0	5.4	6.3	7.5	9.5
14'-0"	7.6	8.9	10.0	10.0	4.7	5.5	6.7	8.4
14'-8"	7.3	8.5	10.0	10.0	4.6	5.3	6.4	8.1
16'-0"	6.8	7.9	9.5	10.0	4.2	4.9	6.0	7.5
17'-0"	6.5	7.5	9.1	10.0	4.0	4.7	5.7	7.2
18'-2"	6.1	7.1	8.6	10.0	4.4	5.4	6.8	

1/4" POWERS POWER-STUD ANCHOR SCHEDULE - WALL MOUNT CONDITION (IN. O.C.)								
SPAN	4000 PSI MIN CONCRETE				GROUT-FILLED CONCRETE BLOCK			
	DESIGN PRESSURE				DESIGN PRESSURE			
	60 PSF	50 PSF	40 PSF	30 PSF	60 PSF	50 PSF	40 PSF	30 PSF
4'-0"	10.0	10.0	10.0	10.0	10.0	10.0	10.0	10.0
6'-0"	10.0	10.0	10.0	10.0	8.4	9.6	10.0	10.0
8'-0"	10.0	10.0	10.0	10.0	6.8	7.7	9.1	10.0
10'-0"	9.3	10.0	10.0	10.0	5.7	6.6	7.7	9.6
12'-0"	8.1	9.3	10.0	10.0	5.0	5.7	6.8	8.4
14'-0"	7.2	8.3	9.8	10.0	4.5	5.1	6.0	7.5
14'-8"	7.0	8.0	9.5	10.0	4.3	4.9	5.8	7.2
16'-0"	6.5	7.5	8.9	10.0	4.0	4.6	5.5	6.8
17'-0"	6.2	7.2	8.5	10.0	4.4	5.2	6.5	
18'-2"	5.9	6.8	8.1	10.0	4.2	5.0	6.2	

1/4" ELCO PANELMATE FEMALE ID ANCHOR SCHEDULE - INTERIOR MOUNT CONDITION (IN. O.C.)												
SPAN	3350 PSI MIN CONCRETE				HOLLOW AND GROUT-FILLED CONCRETE BLOCK				G=0.55 MIN. WOOD			
	DESIGN PRESSURE				DESIGN PRESSURE				DESIGN PRESSURE			
	60 PSF	50 PSF	40 PSF	30 PSF	60 PSF	50 PSF	40 PSF	30 PSF	60 PSF	50 PSF	40 PSF	30 PSF
4'-0"	10.0	10.0	10.0	10.0	8.9	10.0	10.0	10.0	10.0	10.0	10.0	10.0
6'-0"	10.0	10.0	10.0	10.0	6.5	7.5	8.9	10.0	10.0	10.0	10.0	10.0
8'-0"	10.0	10.0	10.0	10.0	5.2	6.0	7.2	8.9	8.6	10.0	10.0	10.0
10'-0"	10.0	10.0	10.0	10.0	4.4	5.1	6.0	7.5	7.1	8.3	10.0	10.0
12'-0"	8.8	10.0	10.0	10.0	4.4	5.2	6.5	6.0	7.1	8.6	10.0	
14'-0"	7.7	9.0	10.0	10.0	4.6	5.8	5.3	6.2	7.5	9.6		
14'-8"	7.4	8.7	10.0	10.0	4.5	5.6	5.0	5.9	7.2	9.2		
16'-0"	6.9	8.1	9.7	10.0	4.2	5.2	4.7	5.5	6.7	8.6		
17'-0"	6.6	7.7	9.2	10.0	5.0	4.4	5.2	6.3	8.1			
18'-2"	6.2	7.2	8.7	10.0	4.7	4.2	4.9	6.0	7.7			

1/4" ELCO PANELMATE FEMALE ID ANCHOR SCHEDULE - WALL MOUNT CONDITION (IN. O.C.)												
SPAN	3350 PSI MIN CONCRETE				HOLLOW AND GROUT-FILLED CONCRETE BLOCK				G=0.55 MIN. WOOD			
	DESIGN PRESSURE				DESIGN PRESSURE				DESIGN PRESSURE			
	60 PSF	50 PSF	40 PSF	30 PSF	60 PSF	50 PSF	40 PSF	30 PSF	60 PSF	50 PSF	40 PSF	30 PSF
4'-0"	10.0	10.0	10.0	10.0	8.7	9.9	10.0	10.0	10.0	10.0	10.0	10.0
6'-0"	10.0	10.0	10.0	10.0	6.4	7.3	8.7	10.0	8.9	10.0	10.0	10.0
8'-0"	10.0	10.0	10.0	10.0	5.1	5.9	7.0	8.7	7.2	8.3	9.7	10.0
10'-0"	9.4	10.0	10.0	10.0	4.3	5.0	5.9	7.3	6.1	7.0	8.3	10.0
12'-0"	8.2	9.4	10.0	10.0	4.3	5.1	6.4	5.3	6.1	7.2	8.9	
14'-0"	7.3	8.3	9.9	10.0	4.6	5.7	4.8	5.5	6.4	8.0		
14'-8"	7.0	8.1	9.5	10.0	4.4	5.5	4.6	5.3	6.2	7.7		
16'-0"	6.6	7.5	8.9	10.0	4.1	5.1	4.3	4.9	5.8	7.2		
17'-0"	6.3	7.2	8.5	10.0	4.9	4.1	4.7	5.6	6.9			
18'-2"	6.0	6.8	8.1	10.0	4.7	4.5	5.3	6.6				

1/4" ELCO PANELMATE TVAS ANCHOR SCHEDULE - INTERIOR MOUNT CONDITION (IN. O.C.)												
SPAN	3350 PSI MIN CONCRETE				HOLLOW AND GROUT-FILLED CONCRETE BLOCK				G=0.55 MIN. WOOD			
	DESIGN PRESSURE				DESIGN PRESSURE				DESIGN PRESSURE			
	60 PSF	50 PSF	40 PSF	30 PSF	60 PSF	50 PSF	40 PSF	30 PSF	60 PSF	50 PSF	40 PSF	30 PSF
4'-0"	10.0	10.0	10.0	10.0	9.5	10.0	10.0	10.0	10.0	10.0	10.0	10.0
6'-0"	10.0	10.0	10.0	10.0	7.0	8.0	9.5	10.0	10.0	10.0	10.0	10.0
8'-0"	10.0	10.0	10.0	10.0	5.7	6.5	7.7	9.5	8.6	10.0	10.0	10.0
10'-0"	10.0	10.0	10.0	10.0	4.8	5.5	6.5	8.0	7.1	8.3	10.0	10.0
12'-0"	10.0	10.0	10.0	10.0	4.2	4.8	5.7	7.0	6.0	7.1	8.6	10.0
14'-0"	9.7	10.0	10.0	10.0	4.3	5.0	6.3	5.3	6.2	7.5	9.6	
14'-8"	9.4	10.0	10.0	10.0	4.1	4.9	6.1	5.0	5.9	7.2	9.2	
16'-0"	8.7	10.0	10.0	10.0	4.6	5.7	4.7	5.5	6.7	8.6		
17'-0"	8.3	9.6	10.0	10.0	4.4	5.4	4.4	5.2	6.3	8.1		
18'-2"	7.9	9.1	10.0	10.0	4.1	5.2	4.2	4.9	6.0	7.7		

1/4" ELCO PANELMATE TVAS ANCHOR SCHEDULE - WALL MOUNT CONDITION (IN. O.C.)												
SPAN	3350 PSI MIN CONCRETE				HOLLOW AND GROUT-FILLED CONCRETE BLOCK				G=0.55 MIN. WOOD			
	DESIGN PRESSURE				DESIGN PRESSURE				DESIGN PRESSURE			
	60 PSF	50 PSF	40 PSF	30 PSF	60 PSF	50 PSF	40 PSF	30 PSF	60 PSF	50 PSF	40 PSF	30 PSF
4'-0"	10.0	10.0	10.0	10.0	10.0	10.0	10.0	10.0	10.0	10.0	10.0	10.0
6'-0"	10.0	10.0	10.0	10.0	7.7	8.9	10.0	10.0	8.9	10.0	10.0	10.0
8'-0"	10.0	10.0	10.0	10.0	6.1	7.1	8.4	10.0	7.2	8.3	9.7	10.0
10'-0"	10.0	10.0	10.0	10.0	5.1	5.9	7.1	8.9	6.1	7.0	8.3	10.0
12'-0"	10.0	10.0	10.0	10.0	4.4	5.1	6.1	7.7	5.3	6.1	7.2	8.9
14'-0"	9.6	10.0	10.0	10.0	4.5	5.4	6.8	4.8	5.5	6.4	8.0	
14'-8"	9.2	10.0	10.0	10.0	4.3	5.2	6.6	4.6	5.3	6.2	7.7	
16'-0"	8.6	9.9	10.0	10.0	4.0	4.8	6.1	4.3	4.9	5.8	7.2	
17'-0"	8.2	9.5	10.0	10.0	4.6	5.8	4.1	4.7	5.6	6.9		
18'-2"	7.8	9.0	10.0	10.0	4.4	5.5	4.5	5.3	6.6			

1/4" ITW SAMMY SSC ANCHOR SCHEDULE - EXTRUSION 1 MOUNT (IN. O.C.)								
SPAN	3295 PSI MIN CONCRETE				GROUT-FILLED CONCRETE BLOCK			
	DESIGN PRESSURE				DESIGN PRESSURE			
	60 PSF	50 PSF	40 PSF	30 PSF	60 PSF	50 PSF	40 PSF	30 PSF
4'-0"	6.1	6.9	8.0	9.8	4.4	5.1	6.2	
6'-0"	4.6	5.2	6.1	7.4			4.7	
8'-0"		4.2	5.0	6.1				
10'-0"			4.2	5.2				
12'-0"				4.6				

1/4" ELCO PANELMATE (MALE OR FEMALE) ANCHOR SCHEDULE - EXTRUSION 1 MOUNT (IN. O.C.)								
SPAN	3323 PSI MIN CONCRETE				G=0.55 MIN. WOOD			
	DESIGN PRESSURE				DESIGN PRESSURE			
	60 PSF	50 PSF	40 PSF	30 PSF	60 PSF	50 PSF	40 PSF	30 PSF
4'-0"	4.3	4.9	5.7	7.0	4.5	5.3	6.4	
6'-0"			4.3	5.3			4.9	
8'-0"				4.3				

1/4" ELCO PANELMATE INSERT ANCHOR SCHEDULE - EXTRUSION 1 MOUNT (IN. O.C.)								
SPAN	2700 PSI MIN CONCRETE				GROUT-FILLED CONCRETE BLOCK			
	DESIGN PRESSURE				DESIGN PRESSURE			
	60 PSF	50 PSF	40 PSF	30 PSF	60 PSF	50 PSF	40 PSF	30 PSF
4'-0"	4.4	5.0	5.9	7.2			4.3	
6'-0"			4.4	5.4				
8'-0"				4.4				

NOTE: SEE SHEET 6 FOR ANCHOR NOTES

FRANK L. BENNARDO, P.E.
#PE0046549
04/20/2015
No. 46549
ENGINEERING EXPRESS
160 SW 12th AVENUE, #306
DEERFIELD BEACH, FL 33442
PH: (954) 354-0660 FAX: (954) 354-0443
WWW.ENGINEERINGEXPRESS.COM
CERT OF AUTH #8885
A FRANK L. BENNARDO, P.E., INC. INNOVATION

HURRICANE FABRIC, LLC
1505 POINSETTIA DR, SUITE H-3
DELRAY BEACH, FL 33444
WWW.HURRICANEFABRIC.COM
ASTRO GUARD
WIND ABATEMENT SYSTEM
FL 17661.1
FBC 5TH EDITION (2014) PRODUCT APPROVAL

REMARKS	DRWN	CHKD	DATE
INIT ISSUE (14-2202)	KL	FLB	07/16/12
REV COM. (12-HFC-04-02)	KL	FLB	03/22/13
REV. FBC 5TH (2014)	CSL	TSB	02/27/15

15-2452
SCALE:
PAGE DESCRIPTION:
11

1/4" ALL POINTS SOLID-SET ANCHOR SCHEDULE - EXTRUSION 1 MOUNT (IN. O.C.)

SPAN	3000 PSI MIN CONCRETE			
	DESIGN PRESSURE			
	60 PSF	50 PSF	40 PSF	30 PSF
4'-0"	4.4	5.0	5.8	7.1
6'-0"			4.4	5.4
8'-0"				4.4

3/8" POWERS STEEL DROPIN ANCHOR SCHEDULE EXTRUSION 1 MOUNT (IN. O.C.)

SPAN	4000 PSI MIN CONCRETE			
	DESIGN PRESSURE			
	60 PSF	50 PSF	40 PSF	30 PSF
4'-0"	8.5	9.6	11.2	12.0
6'-0"	6.4	7.3	8.5	10.4
8'-0"	5.2	5.9	6.9	8.5
10'-0"		5.1	5.9	7.3
12'-0"			5.2	6.4
14'-0"			4.7	5.7
14'-8"			4.5	5.6
16'-0"				5.2
17'-0"				5.0
18'-2"				4.8

1/4" POWERS STEEL DROPIN ANCHOR SCHEDULE EXTRUSION 1 MOUNT (IN. O.C.)

SPAN	4000 PSI MIN CONCRETE			
	DESIGN PRESSURE			
	60 PSF	50 PSF	40 PSF	30 PSF
4'-0"	4.0	4.6	5.3	6.5
6'-0"			4.0	4.9

1/4" ITW SAMMY SSC ANCHOR SCHEDULE - EXTRUSION 2 MOUNT (IN. O.C.)

SPAN	3295 PSI MIN CONCRETE				HOLLOW CONCRETE BLOCK				GROUT-FILLED CONCRETE BLOCK			
	DESIGN PRESSURE				DESIGN PRESSURE				DESIGN PRESSURE			
	60 PSF	50 PSF	40 PSF	30 PSF	60 PSF	50 PSF	40 PSF	30 PSF	60 PSF	50 PSF	40 PSF	30 PSF
4'-0"	12.0	12.0	12.0	12.0	6.9	8.0	9.6	12.0	9.2	10.6	12.0	12.0
6'-0"	12.0	12.0	12.0	12.0	5.0	5.8	6.9	8.8	6.8	7.8	9.2	11.4
8'-0"	9.7	11.3	12.0	12.0		4.5	5.5	6.9	5.4	6.2	7.4	9.2
10'-0"	8.1	9.4	11.3	12.0			4.5	5.8	4.5	5.2	6.2	7.8
12'-0"	6.9	8.1	9.7	12.0				5.0		4.5	5.4	6.8
14'-0"	6.1	7.1	8.6	10.9				4.4		4.0	4.8	6.0
14'-8"	5.9	6.8	8.3	10.5				4.2			4.6	5.8
16'-0"	5.4	6.4	7.7	9.7							4.3	5.4
17'-0"	5.2	6.0	7.3	9.3							4.1	5.2
18'-2"	4.9	5.7	6.9	8.8								4.9

1/4" ELCO PANELMATE (MALE OR FEMALE) ANCHOR SCHEDULE - EXTRUSION 2 MOUNT (IN. O.C.)

SPAN	3323 PSI MIN CONCRETE				HOLLOW AND GROUT-FILLED CONCRETE BLOCK				G=0.55 MIN. WOOD			
	DESIGN PRESSURE				DESIGN PRESSURE				DESIGN PRESSURE			
	60 PSF	50 PSF	40 PSF	30 PSF	60 PSF	50 PSF	40 PSF	30 PSF	60 PSF	50 PSF	40 PSF	30 PSF
4'-0"	12.0	12.0	12.0	12.0	5.7	6.6	8.0	10.1	9.1	10.4	12.0	12.0
6'-0"	9.4	11.0	12.0	12.0	4.0	4.7	5.7	7.2	6.6	7.6	9.1	11.3
8'-0"	7.4	8.6	10.4	12.0			4.4	5.7	5.2	6.1	7.2	9.1
10'-0"	6.1	7.1	8.6	11.0				4.7	4.4	5.1	6.1	7.6
12'-0"	5.2	6.1	7.4	9.4				4.0		4.4	5.2	6.6
14'-0"	4.6	5.4	6.5	8.3							4.6	5.8
14'-8"	4.4	5.1	6.2	8.0							4.5	5.6
16'-0"	4.1	4.8	5.8	7.4							4.2	5.2
17'-0"		4.5	5.5	7.0								5.0
18'-2"		4.3	5.2	6.6								4.7

1/4" POWERS POWER-STUD ANCHOR SCHEDULE - EXTRUSION 1 MOUNT (IN. O.C.)

SPAN	4000 PSI MIN CONCRETE				GROUT-FILLED CONCRETE BLOCK			
	DESIGN PRESSURE				DESIGN PRESSURE			
	60 PSF	50 PSF	40 PSF	30 PSF	60 PSF	50 PSF	40 PSF	30 PSF
4'-0"	4.1	4.7	5.5	6.7				4.3
6'-0"			4.1	5.1				

1/4" ELCO PANELMATE TVAS ANCHOR SCHEDULE - EXTRUSION 1 MOUNT (IN. O.C.)

SPAN	3350 PSI MIN CONCRETE				G=0.55 MIN. WOOD			
	DESIGN PRESSURE				DESIGN PRESSURE			
	60 PSF	50 PSF	40 PSF	30 PSF	60 PSF	50 PSF	40 PSF	30 PSF
4'-0"	4.9	5.6	6.6	8.0				6.4
6'-0"		4.2	4.9	6.0				4.9
8'-0"			4.1	4.9				
10'-0"				4.2				

1/4" ELCO PANELMATE FEMALE ID ANCHOR SCHEDULE - EXTRUSION 1 MOUNT (IN. O.C.)

SPAN	3350 PSI MIN CONCRETE				HOLLOW AND GROUT-FILLED CONCRETE BLOCK				G=0.55 MIN. WOOD			
	DESIGN PRESSURE				DESIGN PRESSURE				DESIGN PRESSURE			
	60 PSF	50 PSF	40 PSF	30 PSF	60 PSF	50 PSF	40 PSF	30 PSF	60 PSF	50 PSF	40 PSF	30 PSF
4'-0"	4.3	4.9	5.7	7.0					4.5	5.3		6.4
6'-0"			4.3	5.3								4.9
8'-0"				4.3								

1/4" POWERS HOLLOW-SET DROPIN ANCHOR SCHEDULE EXTRUSION 2 MOUNT (IN. O.C.)

SPAN	4000 PSI MIN CONCRETE				HOLLOW AND GROUT-FILLED CONCRETE BLOCK			
	DESIGN PRESSURE				DESIGN PRESSURE			
	60 PSF	50 PSF	40 PSF	30 PSF	60 PSF	50 PSF	40 PSF	30 PSF
4'-0"	8.5	9.9	12.0	12.0		4.3	5.2	6.8
6'-0"	5.9	6.9	8.5	10.9				4.7
8'-0"	4.6	5.4	6.6	8.5				
10'-0"		4.4	5.4	6.9				
12'-0"			4.6	5.9				
14'-0"				5.1				
14'-8"				4.9				
16'-0"				4.6				
17'-0"				4.3				
18'-2"				4.1				

1/4" ELCO PANELMATE INSERT ANCHOR SCHEDULE - EXTRUSION 2 MOUNT (IN. O.C.)

SPAN	2700 PSI MIN CONCRETE				HOLLOW CONCRETE BLOCK				GROUT-FILLED CONCRETE BLOCK			
	DESIGN PRESSURE				DESIGN PRESSURE				DESIGN PRESSURE			
	60 PSF	50 PSF	40 PSF	30 PSF	60 PSF	50 PSF	40 PSF	30 PSF	60 PSF	50 PSF	40 PSF	30 PSF
4'-0"	11.1	12.0	12.0	12.0	8.4	9.8	11.8	12.0	8.6	10.0	12.0	12.0
6'-0"	8.1	9.3	11.1	12.0	6.0	7.0	8.4	10.7	6.1	7.1	8.6	10.9
8'-0"	6.4	7.4	8.9	11.1	4.6	5.4	6.6	8.4	4.8	5.6	6.7	8.6
10'-0"	5.4	6.2	7.4	9.3		4.5	5.4	7.0		4.6	5.6	7.1
12'-0"	4.7	5.4	6.4	8.1			4.6	6.0			4.8	6.1
14'-0"	4.1	4.8	5.7	7.2			4.1	5.2			4.2	5.3
14'-8"		4.6	5.5	6.9				5.0				5.1
16'-0"		4.3	5.1	6.4				4.6				4.8
17'-0"		4.1	4.9	6.1				4.4				4.5
18'-2"			4.6	5.8				4.2				4.3

NOTE: SEE SHEET 6 FOR ANCHOR NOTES

FRANK L. BERNARDO, P.E.
 LICENSE NO. 04/20/2015
 No. 46549
 PROFESSIONAL ENGINEER
 STATE OF FLORIDA
 ENGINEERING EXPRESS
 160 SW 12th AVENUE, #1066
 DEERFIELD BEACH, FL 33442
 PH: (954) 354-0660 FAX: (954) 354-4443
 WWW.ENGP.COM
 CERT. OF AUTH. #9885
 A FRANK L. BERNARDO, P.E., INC. INNOVATION

HURRICANE FABRIC, LLC

1505 POINSETTIA DR, SUITE H-3
 DELRAY BEACH, FL 33444
 WWW.HURRICANEFABRIC.COM

ASTRO GUARD
 WIND ABATEMENT SYSTEM
 FL 17661.1
 FBC 5TH EDITION (2014) PRODUCT APPROVAL

REMARKS	DRWN	CHKD	DATE
INIT ISSUE (14-2002)	KL	FLB	07/16/12
REV. COM. (12-HFC-04-02)	KL	FLB	03/22/13
REV. FBC 5TH (2014)	CSL	TSB	02/27/15

15-2452

SCALE:
 PAGE DESCRIPTION:

1/4" ALL POINTS SOLID-SET ANCHOR SCHEDULE - EXTRUSION 2 MOUNT (IN. O.C.)

SPAN	3000 PSI MIN CONCRETE				HOLLOW AND GROUT-FILLED CONCRETE BLOCK			
	DESIGN PRESSURE				DESIGN PRESSURE			
	60 PSF	50 PSF	40 PSF	30 PSF	60 PSF	50 PSF	40 PSF	30 PSF
4'-0"	12.0	12.0	12.0	12.0	8.7	10.2	12.0	12.0
6'-0"	10.7	12.0	12.0	12.0	6.1	7.2	8.7	11.1
8'-0"	8.3	9.7	11.8	12.0	4.8	5.6	6.8	8.7
10'-0"	6.8	8.0	9.7	12.0		4.6	5.6	7.2
12'-0"	5.8	6.8	8.3	10.7			4.8	6.1
14'-0"	5.0	5.9	7.2	9.3			4.2	5.4
14'-8"	4.8	5.7	6.9	9.0				5.2
16'-0"	4.5	5.3	6.4	8.3				4.8
17'-0"	4.2	5.0	6.1	7.9				4.5
18'-2"		4.7	5.7	7.4				4.3

1/4" ELCO PANELMATE TVAS ANCHOR SCHEDULE - EXTRUSION 2 MOUNT (IN. O.C.)

SPAN	3350 PSI MIN CONCRETE				HOLLOW AND GROUT-FILLED CONCRETE BLOCK				G=0.55 MIN. WOOD			
	DESIGN PRESSURE				DESIGN PRESSURE				DESIGN PRESSURE			
	60 PSF	50 PSF	40 PSF	30 PSF	60 PSF	50 PSF	40 PSF	30 PSF	60 PSF	50 PSF	40 PSF	30 PSF
4'-0"	12.0	12.0	12.0	12.0	6.2	7.3	8.8	11.3	9.1	10.4	12.0	12.0
6'-0"	11.6	12.0	12.0	12.0	4.3	5.1	6.2	8.0	6.6	7.6	9.1	11.3
8'-0"	9.1	10.6	12.0	12.0			4.8	6.2	5.2	6.1	7.2	9.1
10'-0"	7.4	8.7	10.6	12.0				5.1	4.4	5.1	6.1	7.6
12'-0"	6.3	7.4	9.1	11.6				4.3		4.4	5.2	6.6
14'-0"	5.5	6.5	7.9	10.2							4.6	5.8
14'-8"	5.3	6.2	7.6	9.8							4.5	5.6
16'-0"	4.9	5.8	7.0	9.1							4.2	5.2
17'-0"	4.6	5.5	6.7	8.6								5.0
18'-2"	4.4	5.1	6.3	8.1								4.7

1/4" POWERS STEEL DROPIN ANCHOR SCHEDULE EXTRUSION 2 MOUNT (IN. O.C.)

SPAN	4000 PSI MIN CONCRETE			
	DESIGN PRESSURE			
	60 PSF	50 PSF	40 PSF	30 PSF
4'-0"	12.0	12.0	12.0	12.0
6'-0"	9.8	11.5	12.0	12.0
8'-0"	7.6	8.9	10.9	12.0
10'-0"	6.2	7.3	8.9	11.5
12'-0"	5.3	6.2	7.6	9.8
14'-0"	4.6	5.4	6.6	8.6
14'-8"	4.4	5.2	6.4	8.2
16'-0"	4.1	4.8	5.9	7.6
17'-0"		4.6	5.6	7.2
18'-2"		4.3	5.2	6.8

1/4" ELCO PANELMATE FEMALE ID ANCHOR SCHEDULE - EXTRUSION 2 MOUNT (IN. O.C.)

SPAN	3350 PSI MIN CONCRETE				HOLLOW AND GROUT-FILLED CONCRETE BLOCK				G=0.55 MIN. WOOD			
	DESIGN PRESSURE				DESIGN PRESSURE				DESIGN PRESSURE			
	60 PSF	50 PSF	40 PSF	30 PSF	60 PSF	50 PSF	40 PSF	30 PSF	60 PSF	50 PSF	40 PSF	30 PSF
4'-0"	12.0	12.0	12.0	12.0	5.7	6.6	8.0	10.1	9.1	10.4	12.0	12.0
6'-0"	9.4	11.0	12.0	12.0	4.0	4.7	5.7	7.2	6.6	7.6	9.1	11.3
8'-0"	7.4	8.6	10.4	12.0			4.4	5.7	5.2	6.1	7.2	9.1
10'-0"	6.1	7.1	8.6	11.0				4.7	4.4	5.1	6.1	7.6
12'-0"	5.2	6.1	7.4	9.4				4.0		4.4	5.2	6.6
14'-0"	4.6	5.4	6.5	8.3							4.6	5.8
14'-8"	4.4	5.1	6.2	8.0							4.5	5.6
16'-0"	4.1	4.8	5.8	7.4							4.2	5.2
17'-0"		4.5	5.5	7.0								5.0
18'-2"		4.3	5.2	6.6								4.7

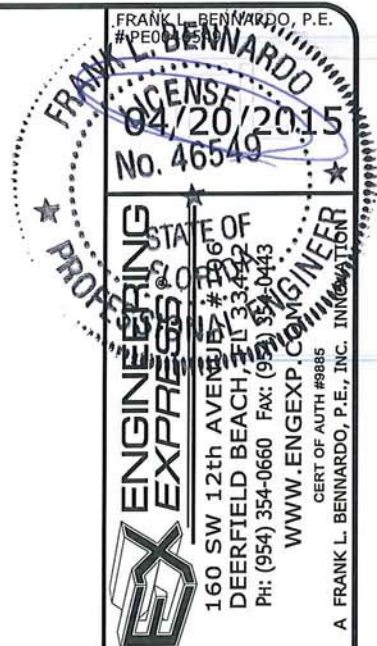
3/8" POWERS STEEL DROPIN ANCHOR SCHEDULE EXTRUSION 2 MOUNT (IN. O.C.)

SPAN	4000 PSI MIN CONCRETE			
	DESIGN PRESSURE			
	60 PSF	50 PSF	40 PSF	30 PSF
4'-0"	12.0	12.0	12.0	12.0
6'-0"	12.0	12.0	12.0	12.0
8'-0"	12.0	12.0	12.0	12.0
10'-0"	12.0	12.0	12.0	12.0
12'-0"	11.2	12.0	12.0	12.0
14'-0"	9.8	11.5	12.0	12.0
14'-8"	9.4	11.0	12.0	12.0
16'-0"	8.6	10.2	12.0	12.0
17'-0"	8.2	9.7	11.8	12.0
18'-2"	7.7	9.1	11.1	12.0

1/4" POWERS POWER-STUD ANCHOR SCHEDULE - EXTRUSION 2 MOUNT (IN. O.C.)

SPAN	4000 PSI MIN CONCRETE				GROUT-FILLED CONCRETE BLOCK			
	DESIGN PRESSURE				DESIGN PRESSURE			
	60 PSF	50 PSF	40 PSF	30 PSF	60 PSF	50 PSF	40 PSF	30 PSF
4'-0"	12.0	12.0	12.0	12.0	8.1	9.4	11.2	12.0
6'-0"	9.2	10.8	12.0	12.0	5.8	6.7	8.1	10.2
8'-0"	7.2	8.4	10.2	12.0	4.5	5.3	6.4	8.1
10'-0"	6.0	7.0	8.4	10.8		4.4	5.3	6.7
12'-0"	5.1	6.0	7.2	9.2			4.5	5.8
14'-0"	4.5	5.2	6.3	8.1				5.1
14'-8"	4.3	5.0	6.1	7.8				4.9
16'-0"		4.6	5.6	7.2				4.5
17'-0"		4.4	5.4	6.9				4.3
18'-2"		4.2	5.1	6.5				4.1

NOTE: SEE SHEET 6 FOR ANCHOR NOTES



HURRICANE FABRIC, LLC

1505 POINSETTIA DR, SUITE H-3
 DELRAY BEACH, FL 33444
 WWW.HURRICANEFABRIC.COM

ASTRO GUARD
 WIND ABATEMENT SYSTEM
 FBC 5TH EDITION (2014) PRODUCT APPROVAL

FL17661.1

DRWN	CHKD	DATE
KL	FLB	07/16/12
KL	FLB	03/22/13
CSL	TSB	02/27/15

15-2452
 SCALE:
 PAGE DESCRIPTION:

1/4" ITW SAMMY SSC ANCHOR SCHEDULE - BUILD OUT TUBE MOUNT (IN. O.C.)

SPAN	3295 PSI MIN CONCRETE				HOLLOW CONCRETE BLOCK				GROUT-FILLED CONCRETE BLOCK			
	DESIGN PRESSURE				DESIGN PRESSURE				DESIGN PRESSURE			
	60 PSF	50 PSF	40 PSF	30 PSF	60 PSF	50 PSF	40 PSF	30 PSF	60 PSF	50 PSF	40 PSF	30 PSF
4'-0"	11.8	12.0	12.0	12.0	4.6	5.2	6.1	7.5	7.0	7.9	9.2	11.3
6'-0"	8.8	10.1	11.8	12.0			4.6	5.6	5.2	5.9	7.0	8.5
8'-0"	7.2	8.2	9.6	11.8				4.6	4.3	4.9	5.7	7.0
10'-0"	6.1	7.0	8.2	10.1						4.1	4.9	5.9
12'-0"	5.4	6.1	7.2	8.8							4.3	5.2
14'-0"	4.8	5.5	6.4	7.9								4.7
14'-8"	4.6	5.3	6.2	7.7								4.5
16'-0"	4.3	5.0	5.8	7.2								4.3
17'-0"	4.2	4.8	5.6	6.9								4.1
18'-2"		4.5	5.3	6.6								

1/4" ALL POINTS SOLID-SET ANCHOR SCHEDULE - BUILD OUT TUBE MOUNT (IN. O.C.)

SPAN	3000 PSI MIN CONCRETE				HOLLOW AND GROUT-FILLED CONCRETE BLOCK			
	DESIGN PRESSURE				DESIGN PRESSURE			
	60 PSF	50 PSF	40 PSF	30 PSF	60 PSF	50 PSF	40 PSF	30 PSF
4'-0"	9.3	10.6	12.0	12.0	5.4	6.1	7.2	8.8
6'-0"	6.9	7.9	9.3	11.4	4.0	4.6	5.4	6.6
8'-0"	5.6	6.4	7.6	9.3			4.4	5.4
10'-0"	4.8	5.5	6.4	7.9				4.6
12'-0"	4.2	4.8	5.6	6.9				4.0
14'-0"		4.3	5.0	6.2				
14'-8"		4.1	4.9	6.0				
16'-0"			4.6	5.6				
17'-0"			4.4	5.4				
18'-2"			4.2	5.1				

1/4" ELCO PANELMATE (MALE OR FEMALE) ANCHOR SCHEDULE - BUILD OUT TUBE MOUNT (IN. O.C.)

SPAN	3323 PSI MIN CONCRETE				HOLLOW AND GROUT-FILLED CONCRETE BLOCK				G=0.55 MIN. WOOD			
	DESIGN PRESSURE				DESIGN PRESSURE				DESIGN PRESSURE			
	60 PSF	50 PSF	40 PSF	30 PSF	60 PSF	50 PSF	40 PSF	30 PSF	60 PSF	50 PSF	40 PSF	30 PSF
4'-0"	8.7	9.9	11.6	12.0		4.0	4.7	5.8	6.7	7.6	8.9	10.9
6'-0"	6.5	7.4	8.7	10.7				4.4	5.1	5.8	6.7	8.2
8'-0"	5.3	6.0	7.1	8.7					4.1	4.7	5.5	6.7
10'-0"	4.5	5.1	6.0	7.4						4.0	4.7	5.8
12'-0"		4.5	5.3	6.5							4.1	5.1
14'-0"		4.0	4.7	5.8								4.5
14'-8"			4.6	5.6								4.4
16'-0"			4.3	5.3								4.1
17'-0"			4.1	5.1								
18'-2"				4.8								

1/4" POWERS STEEL DROPIN ANCHOR SCHEDULE BUILD OUT TUBE MOUNT (IN. O.C.)

SPAN	4000 PSI MIN CONCRETE			
	DESIGN PRESSURE			
	60 PSF	50 PSF	40 PSF	30 PSF
4'-0"	8.5	9.7	11.4	12.0
6'-0"	6.3	7.2	8.5	10.5
8'-0"	5.1	5.9	6.9	8.5
10'-0"	4.4	5.0	5.9	7.2
12'-0"		4.4	5.1	6.3
14'-0"			4.6	5.7
14'-8"			4.4	5.5
16'-0"			4.2	5.1
17'-0"				4.9
18'-2"				4.7

3/8" POWERS STEEL DROPIN ANCHOR SCHEDULE BUILD OUT TUBE MOUNT (IN. O.C.)

SPAN	4000 PSI MIN CONCRETE			
	DESIGN PRESSURE			
	60 PSF	50 PSF	40 PSF	30 PSF
4'-0"	12.0	12.0	12.0	12.0
6'-0"	12.0	12.0	12.0	12.0
8'-0"	10.9	12.0	12.0	12.0
10'-0"	9.2	10.6	12.0	12.0
12'-0"	8.1	9.2	10.9	12.0
14'-0"	7.2	8.3	9.7	12.0
14'-8"	7.0	8.0	9.4	11.6
16'-0"	6.5	7.5	8.8	10.9
17'-0"	6.2	7.1	8.4	10.4
18'-2"	5.9	6.8	8.0	9.9

1/4" ELCO PANELMATE INSERT ANCHOR SCHEDULE - BUILD OUT TUBE MOUNT (IN. O.C.)

SPAN	2700 PSI MIN CONCRETE				HOLLOW CONCRETE BLOCK				GROUT-FILLED CONCRETE BLOCK			
	DESIGN PRESSURE				DESIGN PRESSURE				DESIGN PRESSURE			
	60 PSF	50 PSF	40 PSF	30 PSF	60 PSF	50 PSF	40 PSF	30 PSF	60 PSF	50 PSF	40 PSF	30 PSF
4'-0"	8.2	9.3	10.9	12.0	5.3	6.1	7.1	8.7	5.5	6.3	7.3	9.0
6'-0"	6.1	7.0	8.2	10.0		4.5	5.3	6.6	4.1	4.7	5.5	6.7
8'-0"	5.0	5.7	6.7	8.2			4.3	5.3			4.5	5.5
10'-0"	4.3	4.9	5.7	7.0				4.5				4.7
12'-0"		4.3	5.0	6.1								4.1
14'-0"			4.5	5.5								
14'-8"			4.3	5.3								
16'-0"			4.1	5.0								
17'-0"				4.8								
18'-2"				4.6								

1/4" POWERS POWER-STUD ANCHOR SCHEDULE - BUILD OUT TUBE MOUNT (IN. O.C.)

SPAN	4000 PSI MIN CONCRETE				GROUT-FILLED CONCRETE BLOCK			
	DESIGN PRESSURE				DESIGN PRESSURE			
	60 PSF	50 PSF	40 PSF	30 PSF	60 PSF	50 PSF	40 PSF	30 PSF
4'-0"	8.4	9.6	11.3	12.0	5.4	6.1	7.1	8.8
6'-0"	6.3	7.2	8.4	10.4	4.0	4.6	5.4	6.6
8'-0"	5.1	5.8	6.9	8.4			4.4	5.4
10'-0"	4.4	5.0	5.8	7.2				4.6
12'-0"		4.4	5.1	6.3				4.0
14'-0"			4.6	5.6				
14'-8"			4.4	5.5				
16'-0"			4.2	5.1				
17'-0"				4.9				
18'-2"				4.7				

1/4" POWERS HOLLOW-SET DROPIN ANCHOR SCHEDULE BUILD OUT TUBE MOUNT (IN. O.C.)

SPAN	4000 PSI MIN CONCRETE			
	DESIGN PRESSURE			
	60 PSF	50 PSF	40 PSF	30 PSF
4'-0"	5.0	5.7	6.7	8.2
6'-0"		4.3	5.0	6.2
8'-0"			4.1	5.0
10'-0"				4.3

1/4" ELCO PANELMATE FEMALE ID ANCHOR SCHEDULE - BUILD OUT TUBE MOUNT (IN. O.C.)

SPAN	3350 PSI MIN CONCRETE				HOLLOW AND GROUT-FILLED CONCRETE BLOCK				G=0.55 MIN. WOOD			
	DESIGN PRESSURE				DESIGN PRESSURE				DESIGN PRESSURE			
	60 PSF	50 PSF	40 PSF	30 PSF	60 PSF	50 PSF	40 PSF	30 PSF	60 PSF	50 PSF	40 PSF	30 PSF
4'-0"	8.7	9.9	11.6	12.0		4.0	4.7	5.8	6.7	7.6	8.9	10.9
6'-0"	6.5	7.4	8.7	10.7				4.4	5.1	5.8	6.7	8.2
8'-0"	5.3	6.0	7.1	8.7					4.1	4.7	5.5	6.7
10'-0"	4.5	5.1	6.0	7.4						4.0	4.7	5.8
12'-0"		4.5	5.3	6.5							4.1	5.1
14'-0"		4.0	4.7	5.8								4.5
14'-8"			4.6	5.6								4.4
16'-0"			4.3	5.3								4.1
17'-0"			4.1	5.1								
18'-2"				4.8								

1/4" ELCO PANELMATE TVAS ANCHOR SCHEDULE - BUILD OUT TUBE MOUNT (IN. O.C.)

SPAN	3350 PSI MIN CONCRETE				HOLLOW AND GROUT-FILLED CONCRETE BLOCK				G=0.55 MIN. WOOD			
	DESIGN PRESSURE				DESIGN PRESSURE				DESIGN PRESSURE			
	60 PSF	50 PSF	40 PSF	30 PSF	60 PSF	50 PSF	40 PSF	30 PSF	60 PSF	50 PSF	40 PSF	30 PSF
4'-0"	10.3	11.8	12.0	12.0		4.2	4.9	6.1	6.7	7.6	8.9	10.9
6'-0"	7.7	8.8	10.3	12.0				4.5	5.1	5.8	6.7	8.2
8'-0"	6.2	7.1	8.4	10.3					4.1	4.7	5.5	6.7
10'-0"	5.3	6.1	7.1	8.8						4.0	4.7	5.8
12'-0"	4.6	5.3	6.2	7.7							4.1	5.1
14'-0"	4.1	4.7	5.6	6.9								4.5
14'-8"	4.0	4.6	5.4	6.7								4.4
16'-0"		4.3	5.1	6.2								4.1
17'-0"		4.1	4.8	6.0								
18'-2"			4.6	5.7								

NOTE: SEE SHEET 6 FOR ANCHOR NOTES

FRANK L. BENNARDO, P.E.
 # RE00085411
 LICENSE
 04/20/2015
 No. 46549
 PROFESSIONAL ENGINEERING
 EXPRESS
 160 SW 12th AVENUE, #3060
 DEERFIELD BEACH, FL 33442
 Ph: (954) 354-0660 Fax: (954) 354-0443
 WWW.ENGENXP.COM
 CERT OF AUTH #9885
 A FRANK L. BENNARDO, P.E., INC. INNOVATION

HURRICANE FABRIC, LLC
 1505 POINSETTIA DR, SUITE H-3
 DELRAY BEACH, FL 33444
 WWW.HURRICANEFABRIC.COM
 ASTRO GUARD
 WIND ABATEMENT SYSTEM
 FL17661.1
 PRODUCT APPROVAL
 FBC 5TH EDITION (2014)

REMARKS	DRWN	CHKD	DATE
INIT ISSUE (14-2002)	KL	FLB	07/16/12
REV COM. (12-HFC-04-02)	KL	FLB	03/22/13
REV. FBC 5TH (2014)	CSL	TSB	02/27/15

15-2452
 SCALE:
 PAGE DESCRIPTION:
 11