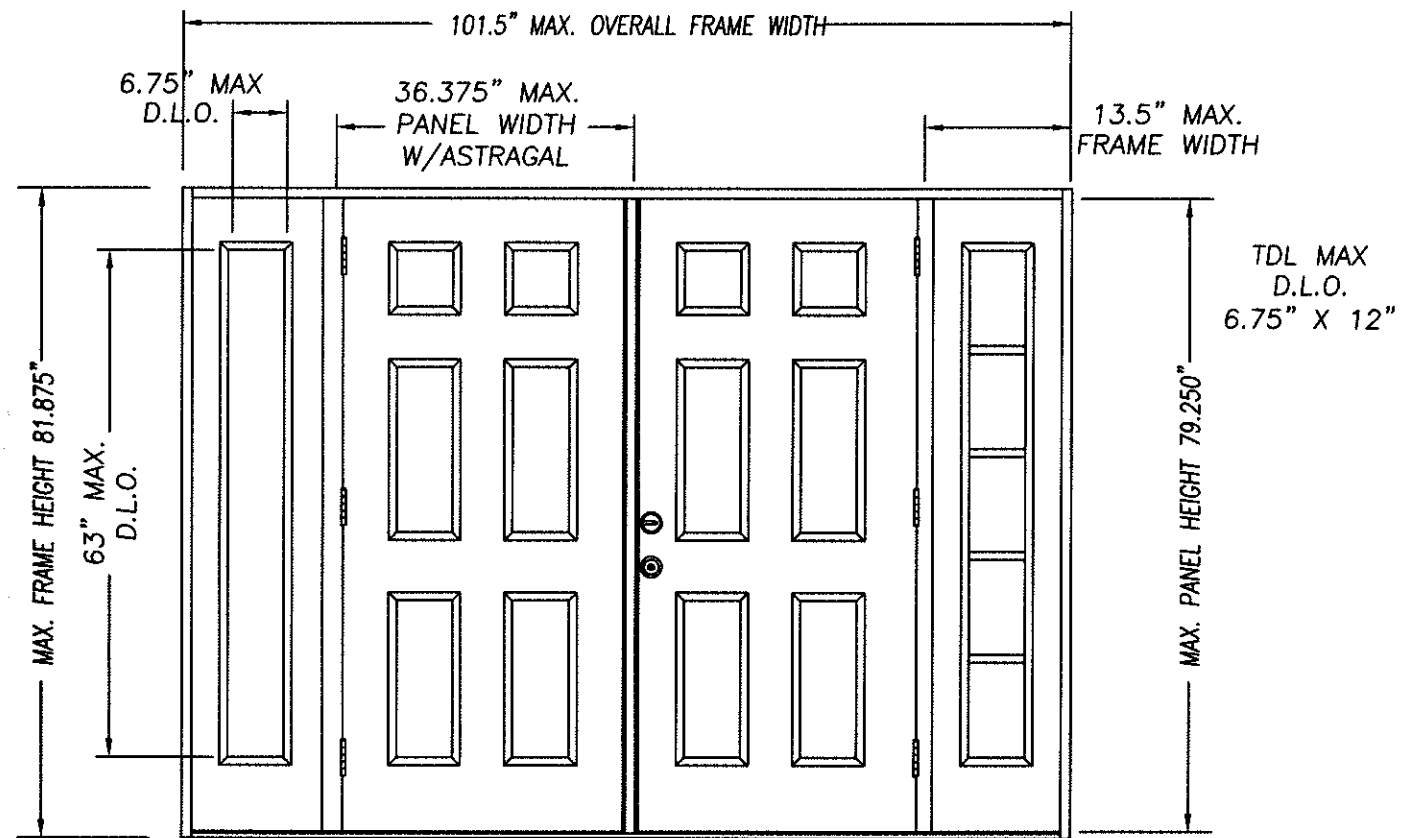




**SIDE-HINGED FIR WOOD DOOR UNIT  
6'-8" DOUBLE DOOR WITH / WITHOUT SIDELITES**

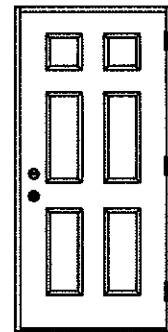
GENERAL NOTES

1. EVALUATED FOR USE IN LOCATIONS ADHERING TO THE FLORIDA BUILDING CODE AND WHERE PRESSURE REQUIREMENTS AS DETERMINED BY ASCE 7, MINIMUM DESIGN LOADS FOR BUILDINGS AND OTHER STRUCTURES, DOES NOT EXCEED THE DESIGN PRESSURES LISTED.
2. IF LARGE MISSILE IMPACT RESISTANCE IS REQUIRED, HURRICANE PROTECTIVE SYSTEM (SHUTTERS) IS REQUIRED.
3. ONE LITE SIDELITES GLAZED WITH 1/2" INSULATED GLASS. TDL SIDELITES GLAZED WITH 7/32" TEMPERED.

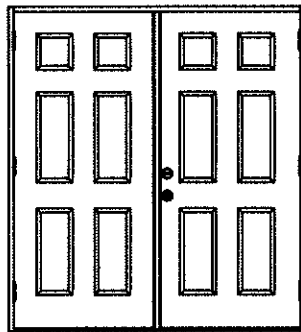


DOUBLE DOOR UNIT W/SIDELITES

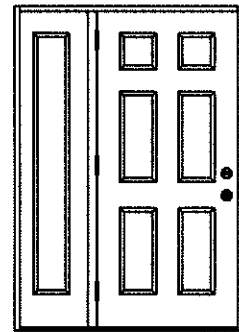
Addendum to NAMI  
 Certification No.: NI006721  
 Reviewed By: [Signature]  
 Date Reviewed: 5/28/15



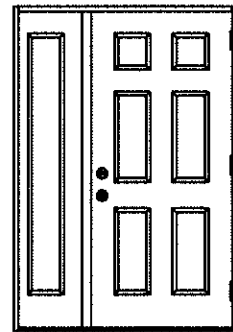
SINGLE DOOR UNIT



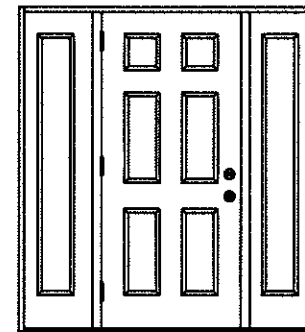
DOUBLE DOOR UNIT



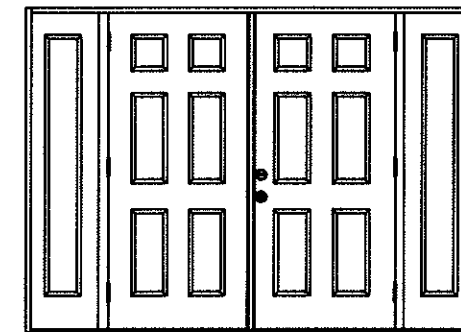
SINGLE DOOR UNIT WITH SIDELITE



SINGLE DOOR UNIT WITH SIDELITE



SINGLE DOOR UNIT W/SIDELITES



DOUBLE DOOR UNIT W/SIDELITES

| TABLE OF CONTENTS |                                    |
|-------------------|------------------------------------|
| SHEET #           | DESCRIPTION                        |
| 1                 | TYPICAL ELEVATIONS & GENERAL NOTES |
| 2                 | ANCHORING LOCATIONS & DETAILS      |
| 3                 | ANCHORING LOCATIONS & DETAILS      |

| CONFIG   | MAX WIDTH | DESIGN PRESSURE RATING |               | WHERE WATER INFILTRATION PERFORMANCE IS REQUIRED TO BE 15% OF DESIGN PRESSURE |               |
|----------|-----------|------------------------|---------------|---|---------------|
|          |           | INSWING                | OUTSWING      | INSWING   | OUTSWING      |
| X        | 37.5"     | +50.0 / -55.0          | +55.0 / -55.0 | +19.0 / -19.0   | +35.0 / -35.0 |
| XX       | 74"       | +50.0 / -55.0          | +55.0 / -55.0 | +19.0 / -19.0   | +35.0 / -35.0 |
| OX or XO | 51"       | +50.0 / -55.0          | +55.0 / -55.0 | +19.0 / -19.0   | +35.0 / -35.0 |
| OXO      | 64.5"     | +50.0 / -55.0          | +55.0 / -55.0 | +19.0 / -19.0   | +35.0 / -35.0 |
| OX XO    | 101.5"    | +50.0 / -55.0          | +55.0 / -55.0 | +19.0 / -19.0   | +35.0 / -35.0 |

*Kurt Balthazor*

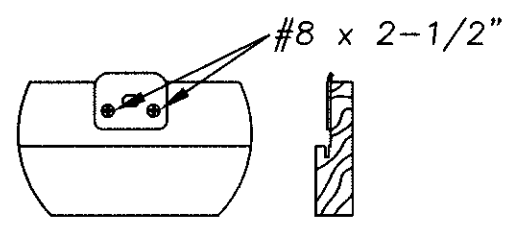
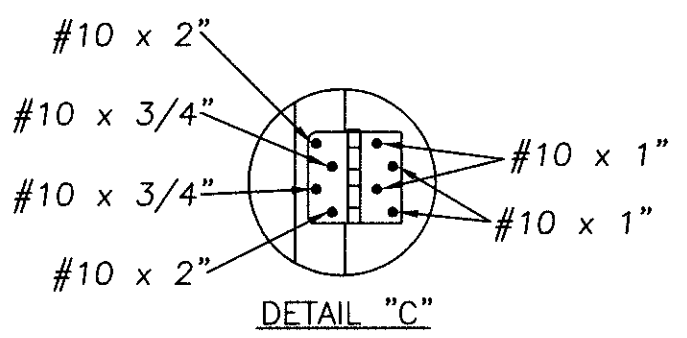
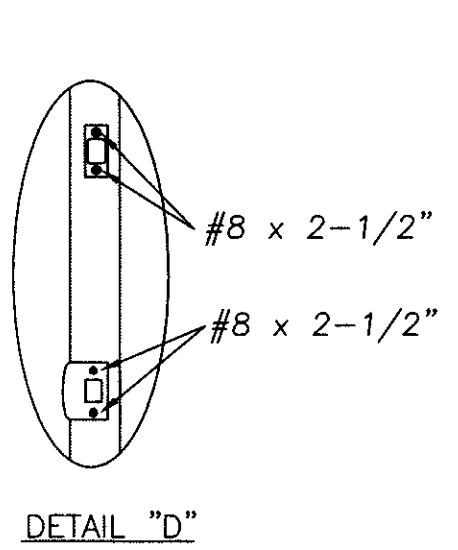
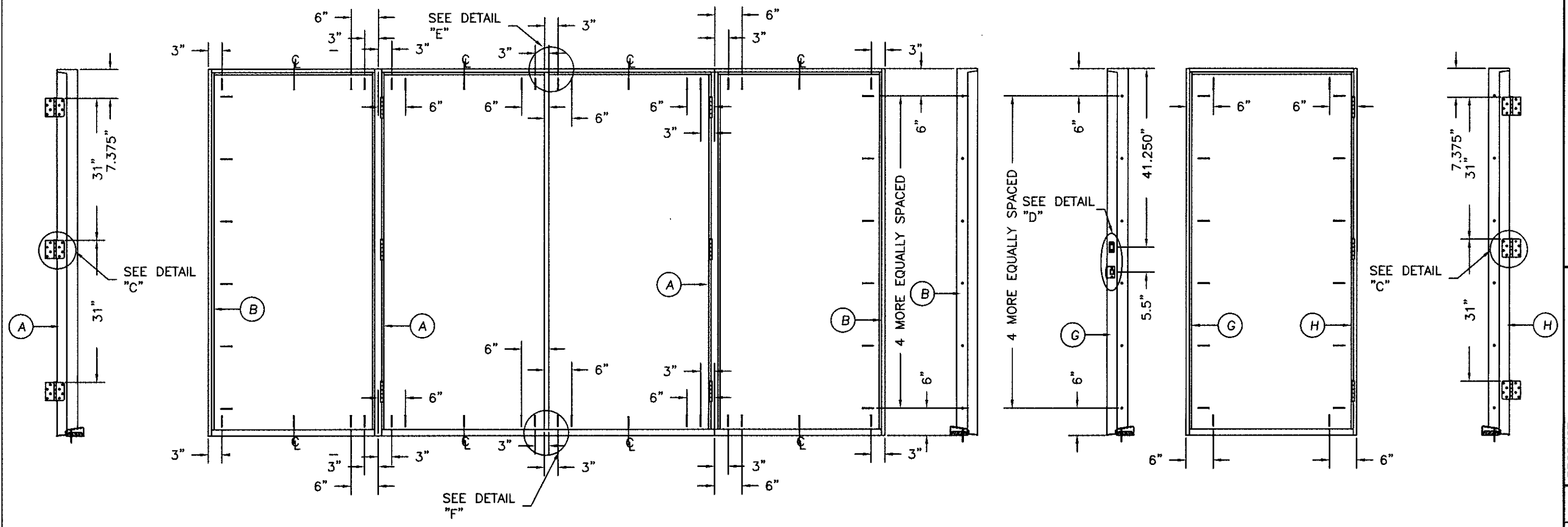
KURT BALTHAZOR  
 FLORIDA P.E.  
 #56533

|                   |  |
|-------------------|--|
| PRODUCT:          | EXTERIOR DOOR PRODUCT<br>DOUBLE 6'8" OPAQUE<br>FIR DOOR UNIT |
| PART OR ASSEMBLY: | TYPICAL ELEVATIONS<br>& GENERAL NOTES                        |
| NO.               | A  |
| DATE              | 5/28/15  |
| ANCHOR UPDATE     |  |
| REVISIONS         |  |
| BY                | SWS  |

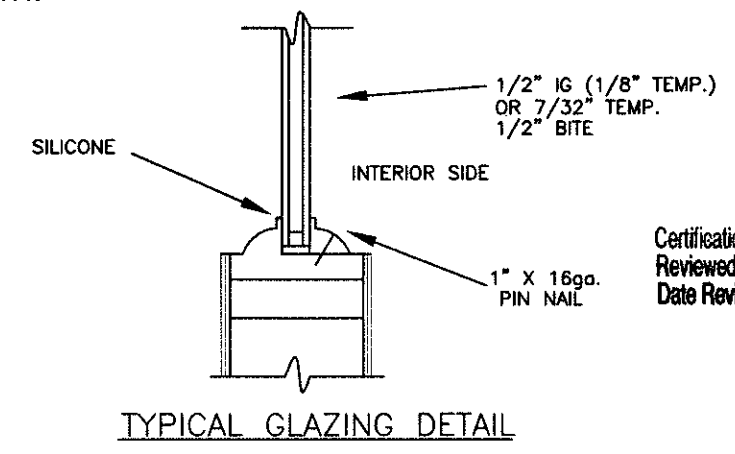
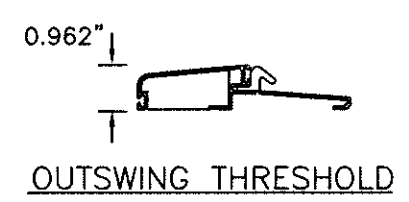
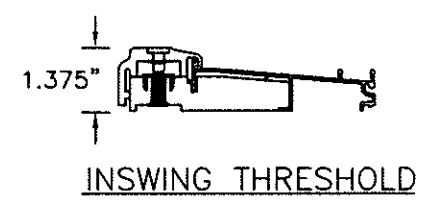
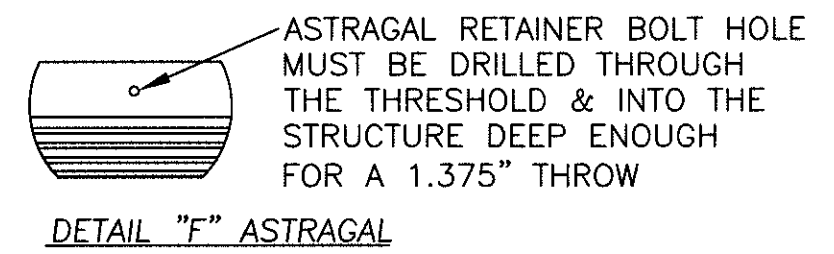
|                  |         |
|------------------|---------|
| DATE:            | 9/22/06 |
| SCALE:           | N.T.S.  |
| DWG. BY:         | SWS     |
| CHK. BY:         |         |
| DRAWING NO.:     |         |
| DWG-MA-FL0155-06 |         |
| SHEET            | 1 OF 3  |

MASONITE INTERNATIONAL CORP.  
 1955 POWIS RD.  
 WEST CHICAGO, IL 60185

MASONITE INTERNATIONAL CORP.  
 1955 POWIS RD.  
 WEST CHICAGO, IL 60185

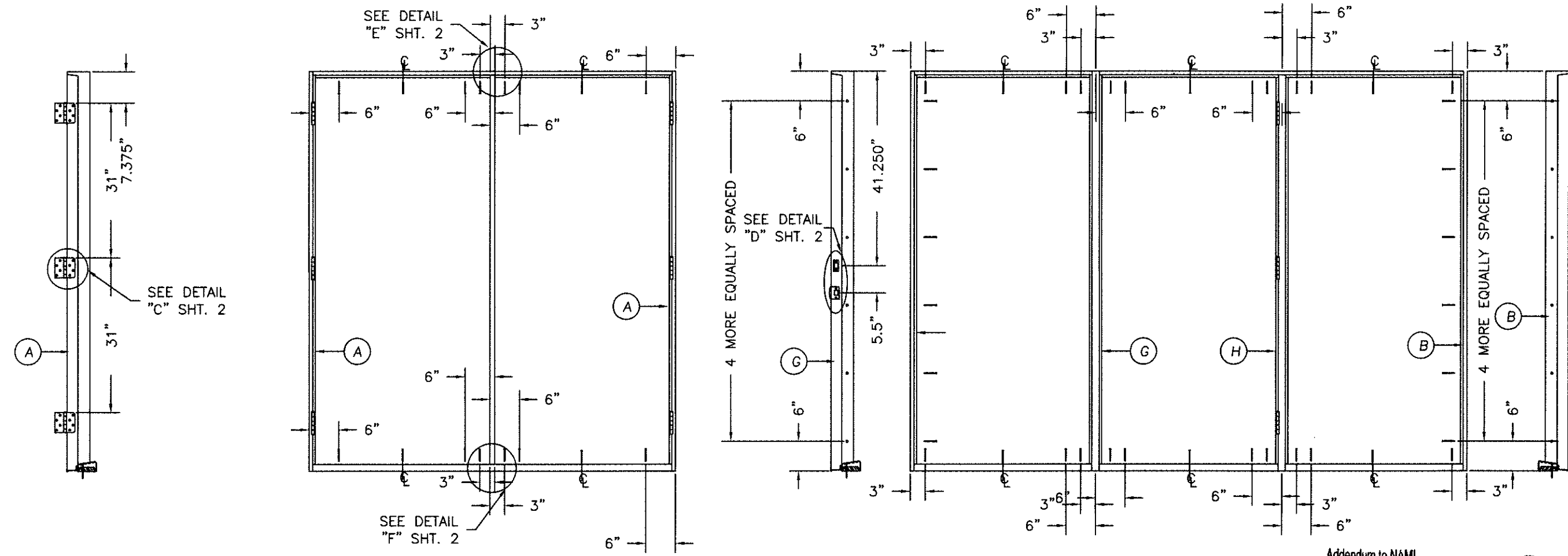


ATTACH ASTRAGAL RETAINER BOLT STRIKE PLATE TO FRAME AS SHOWN.



Addendum to NAMI  
 Certification No.: N1006721  
 Reviewed By: [Signature]  
 Date Reviewed: 5/28/15

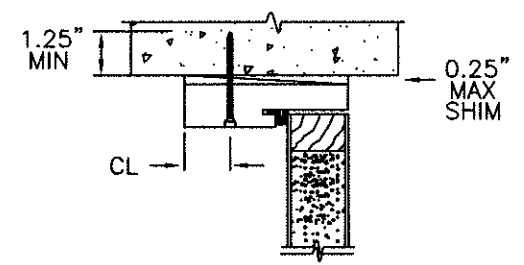
|   |         |   |           |
|---|---------|---|-----------|
| PRODUCT:<br>"EXTERIOR DOOR PRODUCT"<br>6"-8" FIR OPAQUE<br>DOUBLE DOOR UNIT |         | PART OR ASSEMBLY:<br>ANCHORING LOCATIONS<br>& DETAILS |           |
| NO.   | DATE    | ANCHOR UPDATE   | REVISIONS |
| A   | 5/28/15 | SWS   | BY        |
| DATE: 9/22/06   |         | SCALE: N.T.S.   |           |
| DWG. BY: SWS  |         | CHK. BY:  |           |
| DRAWING NO.: DWG-MA-FL0155-06   |         | SHEET 2 OF 3  |           |



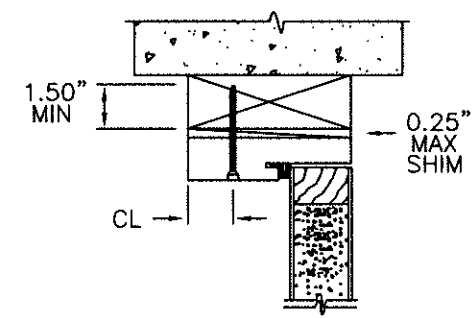
Addendum to NAMI  
 Certification No.: NI006721  
 Reviewed By: *[Signature]*  
 Date Reviewed: 5/28/15

**ATTACHMENT DETAIL**

1. ANCHOR ANALYSIS FOR LOADING CONDITIONS PREPARED, SIGNED AND SEALED BY ROBERTO LOMAS, PE (FLORIDA #62514) WITH THE LOWEST (LEAST) FASTENER RATING FROM THE DIFFERENT FASTENERS BEING CONSIDERED FOR USE. JAMB, HEAD, AND THRESHOLD FASTENERS ANALYZED FOR THIS UNIT INCLUDE #10 WOOD SCREWS OR 1/4" TAPCONS. A PHYSICAL SHIM MUST BE PLACED IN SHIM SPACE AT EACH ANCHOR LOCATION. TAPCON EDGE DISTANCE MIN 2-1/2". WOOD SCREW EDGE DISTANCE MIN 3/4".
2. THE WOOD SCREW SINGLE SHEAR DESIGN VALUES COME FROM ANSI/AF&PA NDA FOR SOUTHERN PINE LUMBER AND ACHIEVEMENT OF 1-1/2" MINIMUM EMBEDMENT. THE TAPCON MUST ACHIEVE MINIMUM EMBEDMENT OF 1-1/4".
3. WOOD BUCKS BY OTHERS MUST BE ANCHORED PROPERLY TO TRANSFER LOADS TO STRUCTURE.
4. MINIMUM DESIGN VALUE STRENGTH OF ANCHORS 171 LBS.



TYPICAL MASONRY ANCHOR INSTALLATION

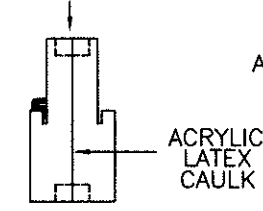


TYPICAL WOOD BUCK ANCHOR INSTALLATION

**HARDWARE SCHEDULE**

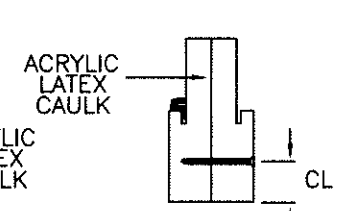
1. KWIKSET SERIES 400 GRADE 3 CYLINDRICAL LATCH AND SERIES 980 GRADE 1 DEADLOCK HARDWARE TO BE INSTALLED AT 5-1/2" CENTERLINE.
2. 4" X 4" FULL MORTISE BUTT HINGES.

1"X1/2" CORRUGATED  
 3" FROM EACH END  
 AND 7" OC



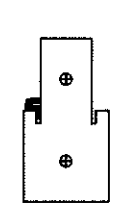
COMBINATION MULLION (BOXED)

#10X2" WOOD SCREW  
 6" FROM EACH END  
 AND 12" OC



COMBINATION MULLION (BOXED)

(2) #10X2-1/2" WOOD SCREWS  
 EACH END



COMPOSITE MULLION (INTEGRAL)

|                   |  |               |     |    |
|-------------------|--|---------------|-----|----|
| PRODUCT:          | "EXTERIOR DOOR PRODUCT"<br>6-8" FIR OPAQUE<br>DOUBLE DOOR UNIT |               |     |    |
| PART OR ASSEMBLY: | ANCHORING LOCATIONS<br>& DETAILS                               |               |     |    |
| DATE              | NO.  | ANCHOR UPDATE | SWS | BY |
| 5/28/15           | A  |               |     |    |
| REVISIONS         |  |               |     |    |