

Series 3900-T w/ Series 3800-T

Aluminum Side Hinged Single Door w/ Sidelites

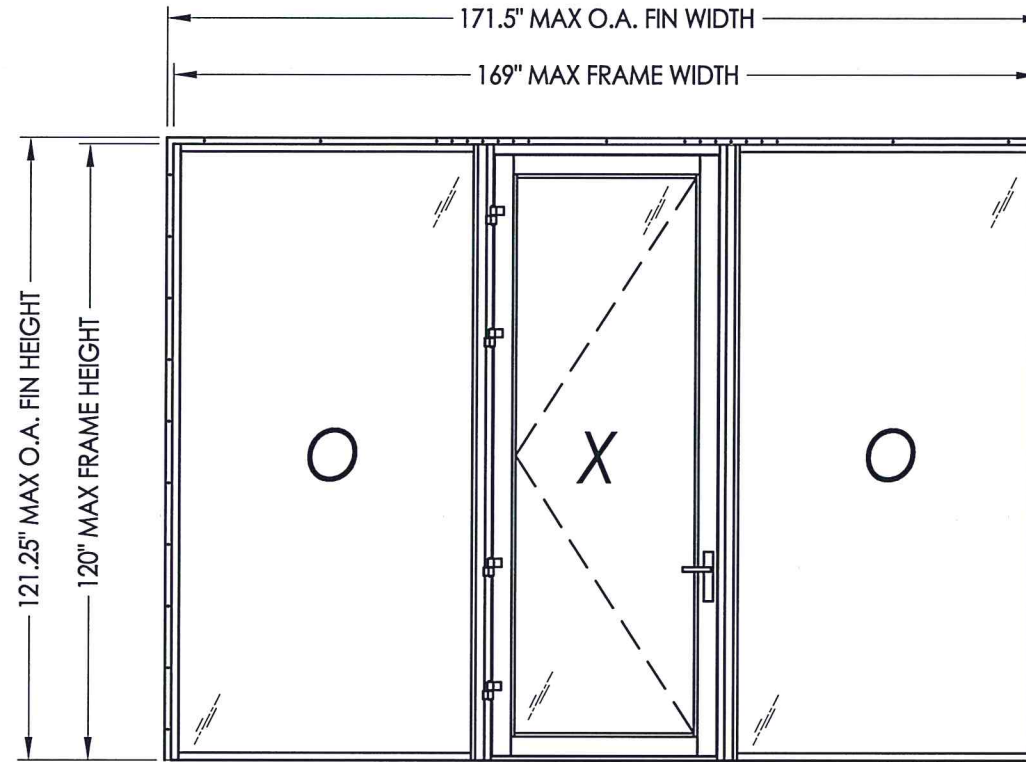
Inswing/Outswing

"IMPACT"

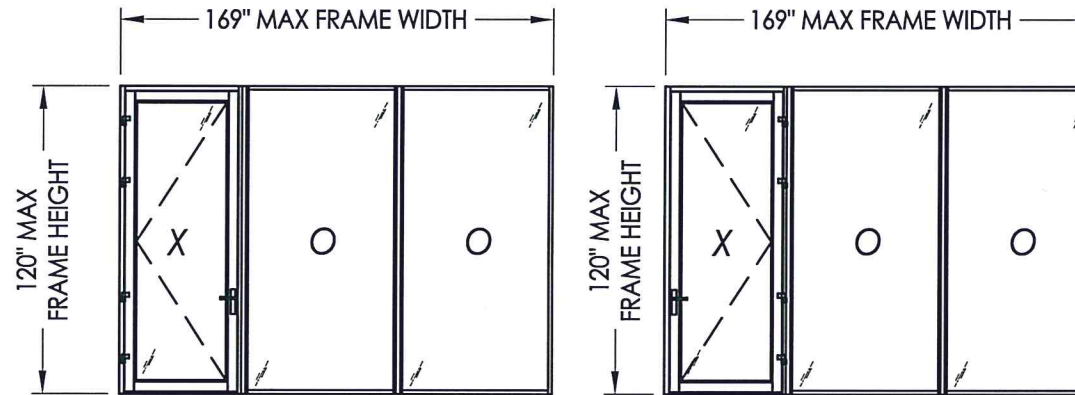
GENERAL NOTES

- This product has been evaluated and is in compliance with the 7th Edition (2020) Florida Building Code (FBC) structural requirements including the "High Velocity Hurricane Zone" (HVHZ).
- Product anchors shall be as listed and spaced as shown on details. Anchor embedment to base material shall be beyond wall dressing or stucco.
- When used in the "HVHZ" this product complies with Section 1626 of the Florida Building Code and does not require an impact resistant covering.
- When used in areas outside of the "HVHZ" requiring wind borne debris protection this product complies with FBC Sections 1609.1.2 & R301.2.1.2 and does not require an impact resistant covering. This product meets missile level "D" and includes Wind Zone 4 as defined in ASTM E 1996 and FBC Sections 1609.1.2.2 & R301.2.1.2.1.
- For 2x stud framing construction, anchoring of these units shall be the same as that shown for 2x buck masonry construction.
- Site conditions that deviate from the details of this drawing require further engineering analysis by a licensed engineer or registered architect.
- This product meets water infiltration requirements for "HVHZ".
- Aluminum components, including fasteners, shall meet the requirements of FBC Section 2003.
- Gaskets shall comply with FBC Section 2411.3.4.

TABLE OF CONTENTS	
SHEET#	DESCRIPTION
1	Typical elevations, design pressures and general notes
2	Door panel details
3	Elevations
4	Horizontal cross sections
5	Horizontal and vertical cross sections
6	Vertical cross sections
7	Fin horizontal and vertical cross sections
8	Buck anchoring
9	Frame anchoring
10	Glazing Details (G1-G4)
11	Components
12	Bill of materials and glazing details (G5)

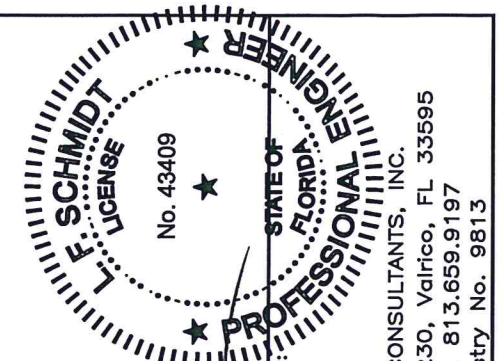


FIN MOUNT



FRAME MOUNT

MAX O.A. FIN DIMENSION	MAX O.A. FRAME DIMENSION	MAX DOOR D.L.O. DIMENSION	MAX SIDELITE D.L.O. DIMENSION	GLASS TYPE	DESIGN PRESSURE (PSF)	
					POSITIVE	NEGATIVE
171.5" X 121.25"	169.0" X 120.0"	35.0" X 108.0"	57.0" X 117.0"	G1, G2, G3, G4, G5	+50.0	-50.0



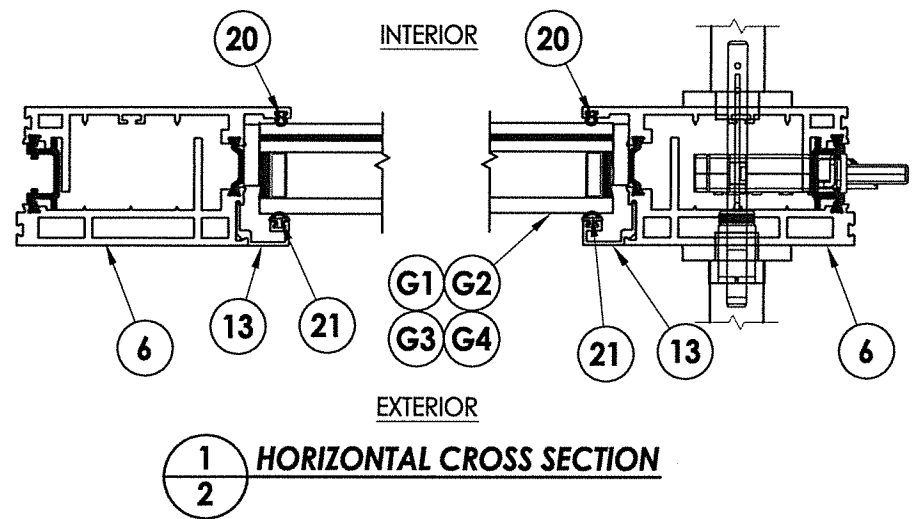
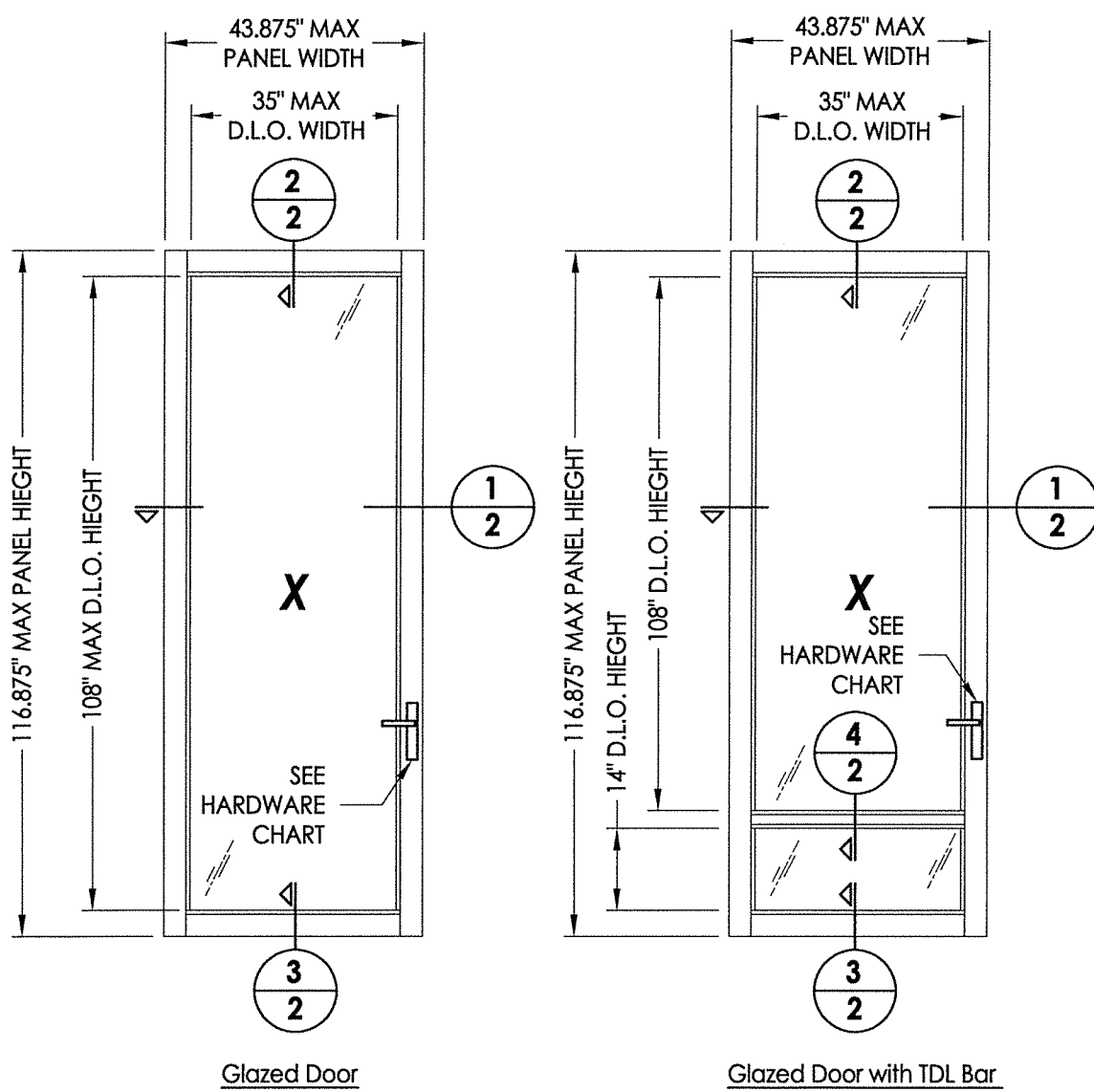
August 11, 2020
 Documents Prepared By:
 Lyndon F. Schmidt
 P.E. No. 43409

R.W. BUILDING CONSULTANTS, INC.
 P.O. Box 230, Valrico, FL 33595
 Phone No.: 813.659.9197
 FBPE Registry No. 9813

PRODUCT:	FLEETWOOD WINDOWS AND DOORS
PART OR ASSEMBLY:	TYPICAL ELEVATION, DESIGN PRESSURES & GENERAL NOTES
DATE	7/29/15
SCALE	N.T.S.
DWG. BY:	JK
CHK. BY:	LFS
DRAWING NO.:	FL-17954.4
SHEET	1 OF 12

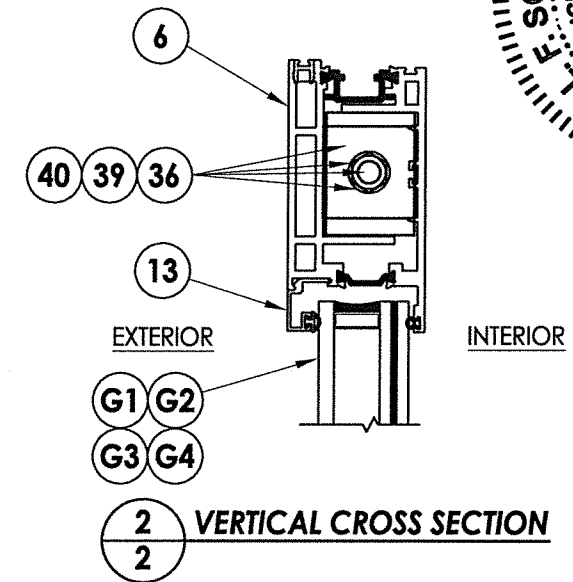
\\dc01\wbc\clients\Fleetwood\PERMANENT\A - Florida Product Approvals\EL-17954-Side Hinged Door\C - Drawings\EL-17954-1.3.4.6.7.dwg

\\dc01\rbwbc\clients\Fleetwood PERMANENTVA - Florida Product Approvals\FL-17954 Side Hinged Door\C - Drawings\FL 17954 (2020)\FL-17954.1.3.4.6.7.dwg

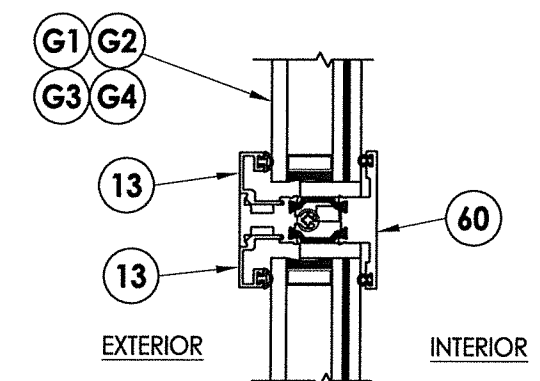


1/2 HORIZONTAL CROSS SECTION

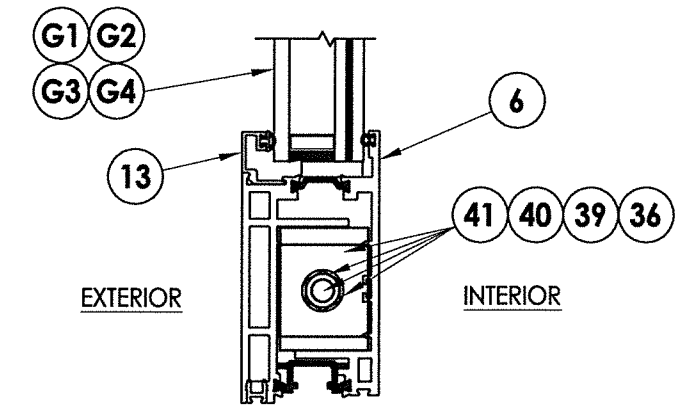
HARDWARE TABLE	
MANUFACTURER	MODEL
TRUTH	MULTI-POINT LOCK: 5 POINT LOCK



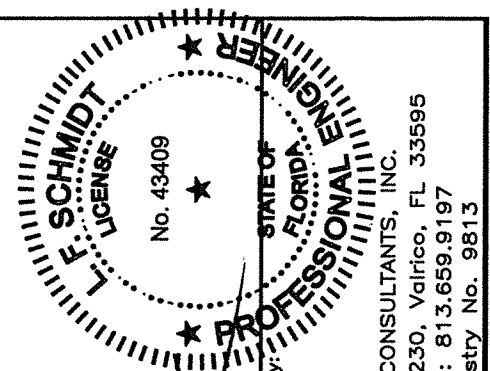
2/2 VERTICAL CROSS SECTION



4/2 VERTICAL CROSS SECTION



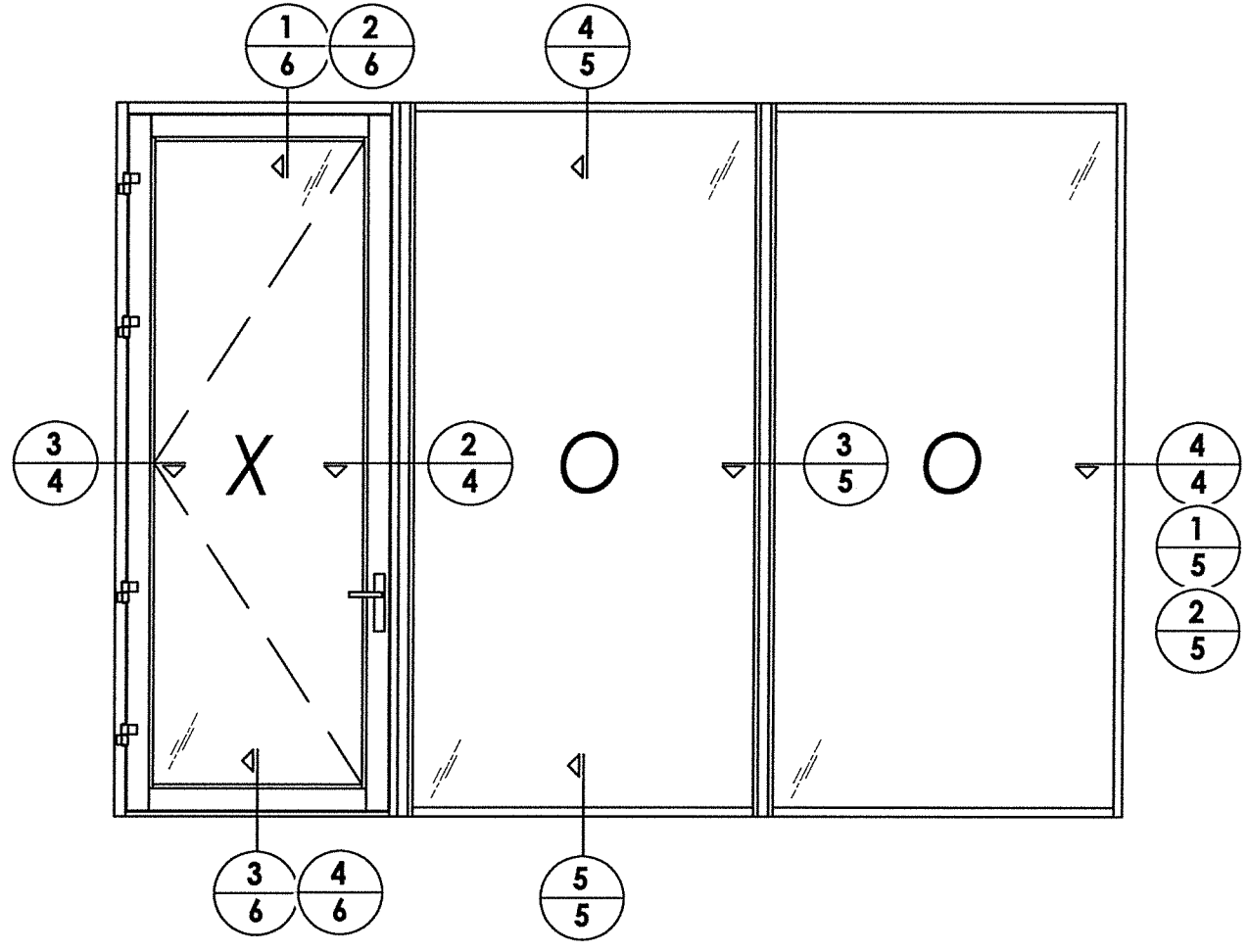
3/2 VERTICAL CROSS SECTION



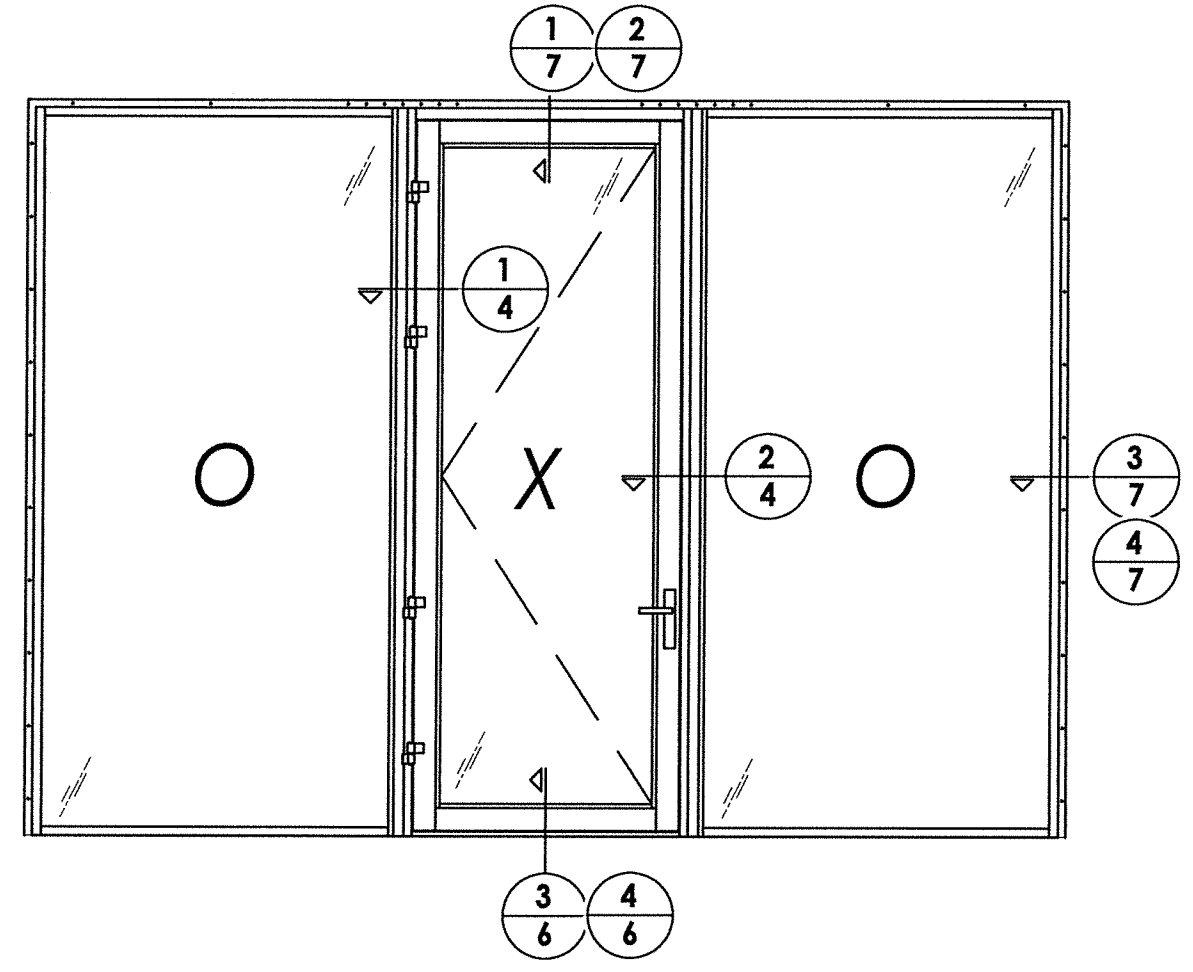
August 11, 2020
 Documents Prepared By:
 Lyndon F. Schmidt
 P.E. No. 43409

RW
 BUILDING CONSULTANTS, INC.
 P.O. Box 230, Valrico, FL 33595
 Phone No.: 813.659.9197
 FBPE Registry No. 9813

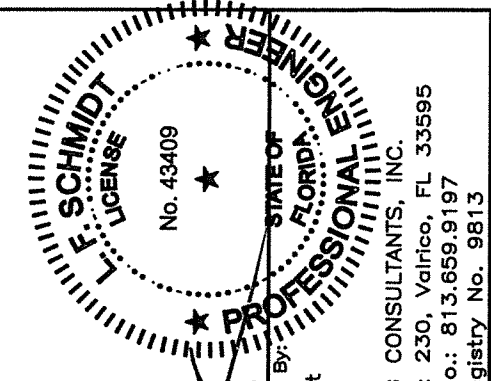
PRODUCT:		FLEETWOOD WINDOWS AND DOORS	
PART OR ASSEMBLY:		DOOR PANEL DETAILS	
DATE:	7/29/15	DAC	FBC
SCALE:	N.T.S.	LFS	FBC
DWG. BY:	JK	NO.	DATE
CHK. BY:	LFS	REVISIONS	
DRAWING NO.:	FL-17954.4		
SHEET	2 OF 12		



FRAME MOUNT
XOO Shown



FIN MOUNT
OXO Shown



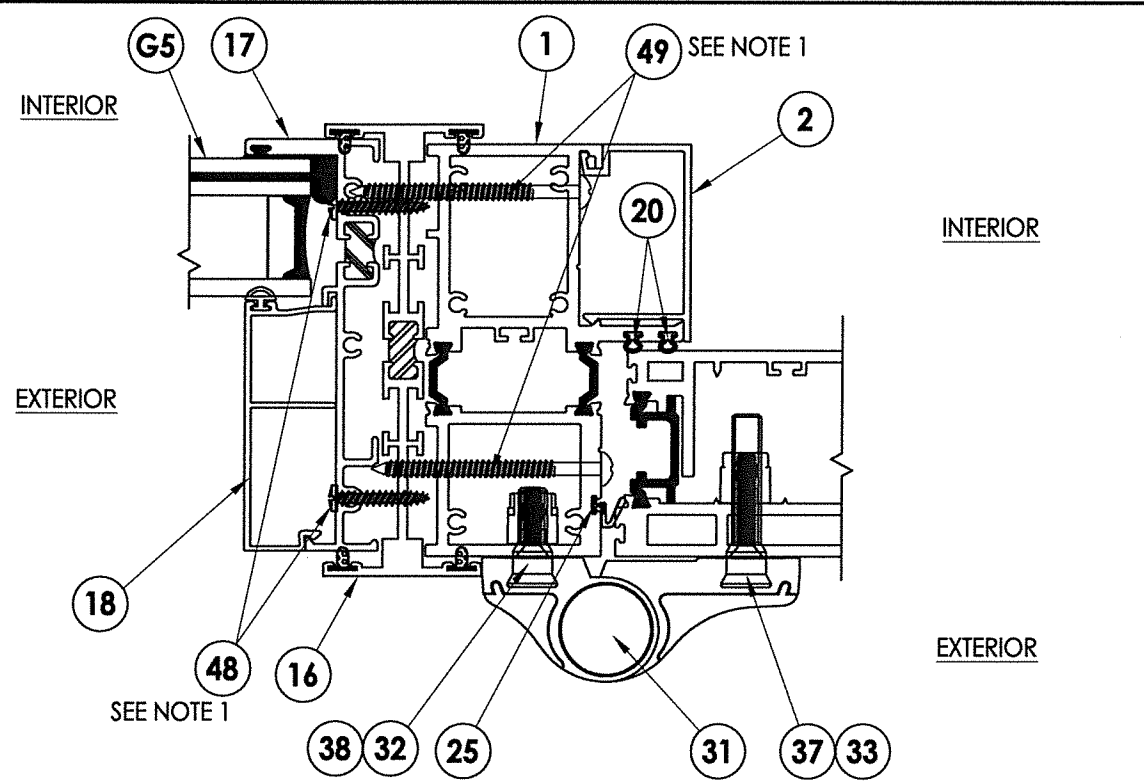
August 11, 2020
 Documents Prepared By:
 Lyndon F. Schmidt
 P.E. No. 43409

RW
 BUILDING CONSULTANTS, INC.
 P.O. Box 230, Valrico, FL 33595
 Phone No.: 813.659.9197
 FBPE Registry No. 9813

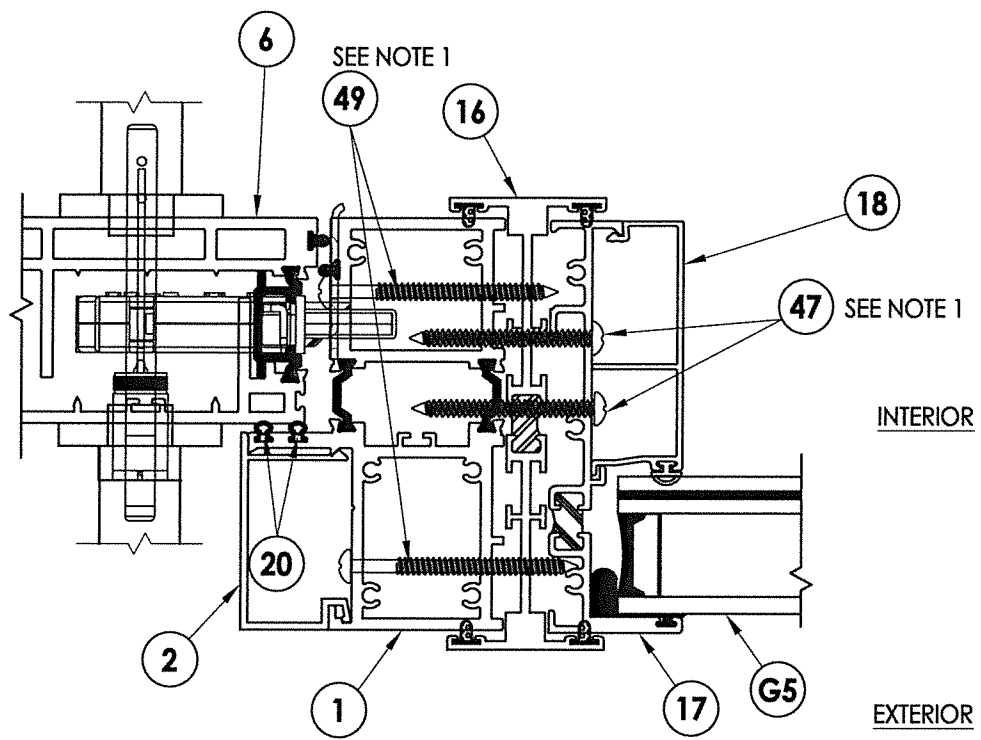
PRODUCT:		FLEETWOOD WINDOWS AND DOORS	
PART OR ASSEMBLY:		ELEVATIONS	
NO.	DATE	REVISIONS	BY
2	8/11/20	UPDATE TO 7th ED. (2020) FBC	DAC
1	08/07/17	UPDATE TO 6TH ED. (2017) FBC	LFS

DATE: 7/29/15
 SCALE: N.T.S.
 DWG. BY: JK
 CHK. BY: LFS
 DRAWING NO.: FL-17954.4
 SHEET 3 of 12

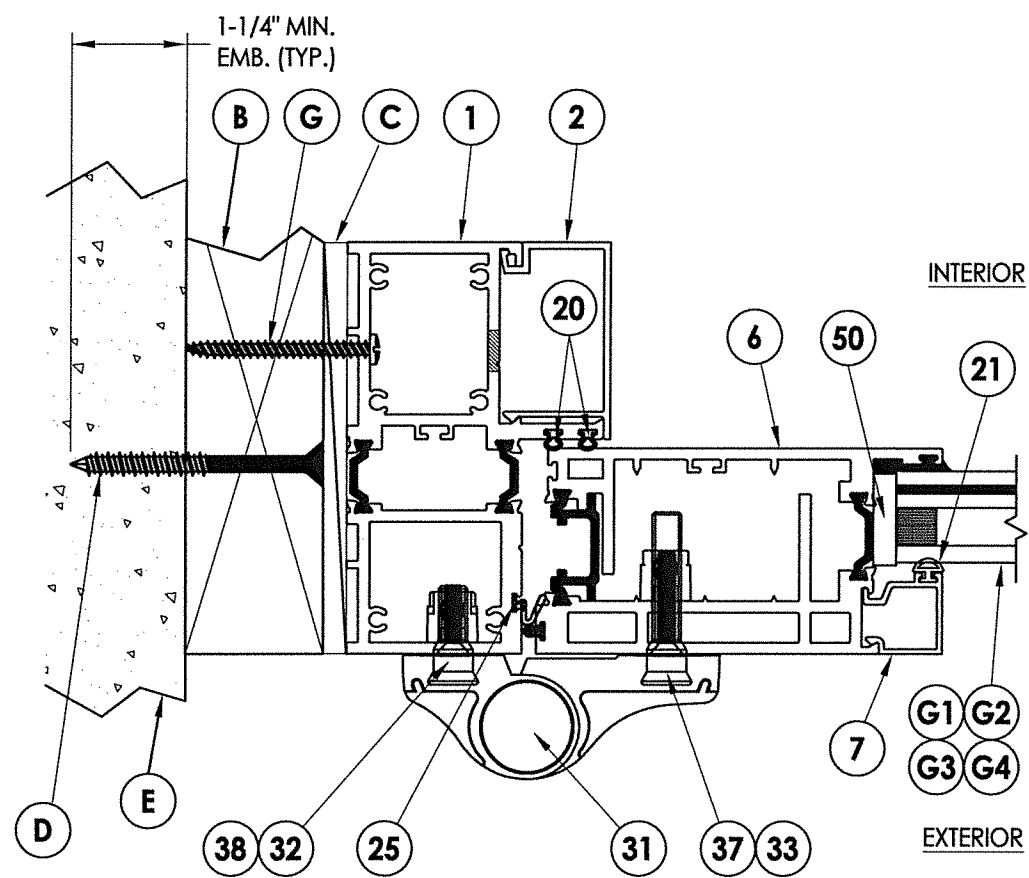
\\dc01\rwbc\Clients\Fleetwood PERMANENTVA - Florida Product Approvals\FL-17954 Side Hinged Door\C - Drawings\FL 17954 (2020)\FL-17954.1.3.4.6.7.dwg



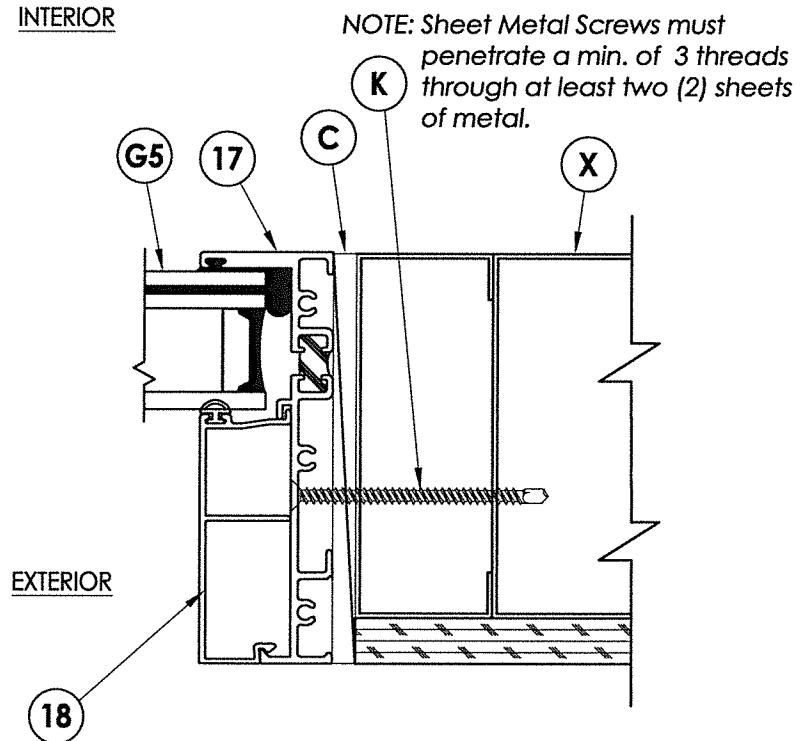
1 HORIZONTAL CROSS SECTION
4 Outswing Shown (Inswing Similar)



2 HORIZONTAL CROSS SECTION
4 Inswing Shown (Outswing Similar)

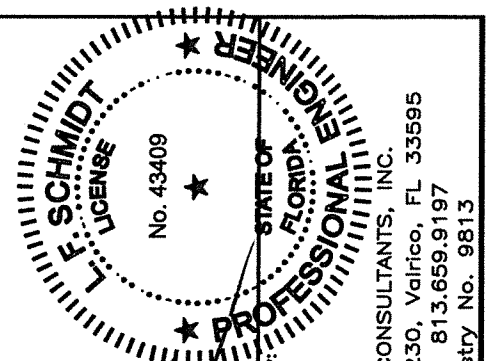


3 HORIZONTAL CROSS SECTION
4 2X Buck Construction
 Outswing Shown (Inswing Similar)



4 HORIZONTAL CROSS SECTION
4 Metal Stud Construction

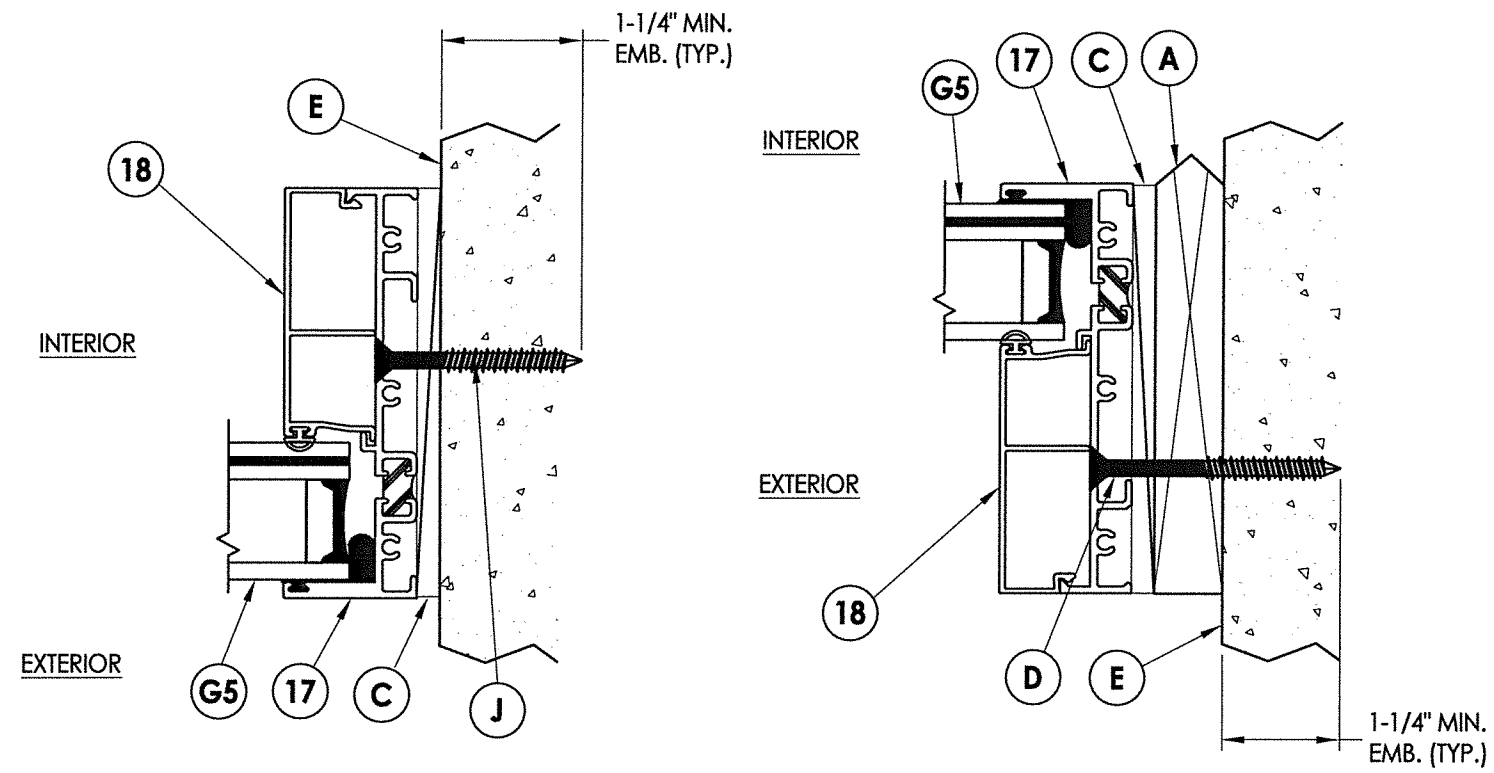
NOTE:
 1. Item #42 located 6\"/>



August 11, 2020
 Documents Prepared By:
 Lyndon F. Schmidt
 P.E. No. 43409
 R.W.
 BUILDING CONSULTANTS, INC.
 P.O. Box 230, Valrico, FL 33595
 Phone No.: 813.659.9197
 FBPE Registry No. 9813

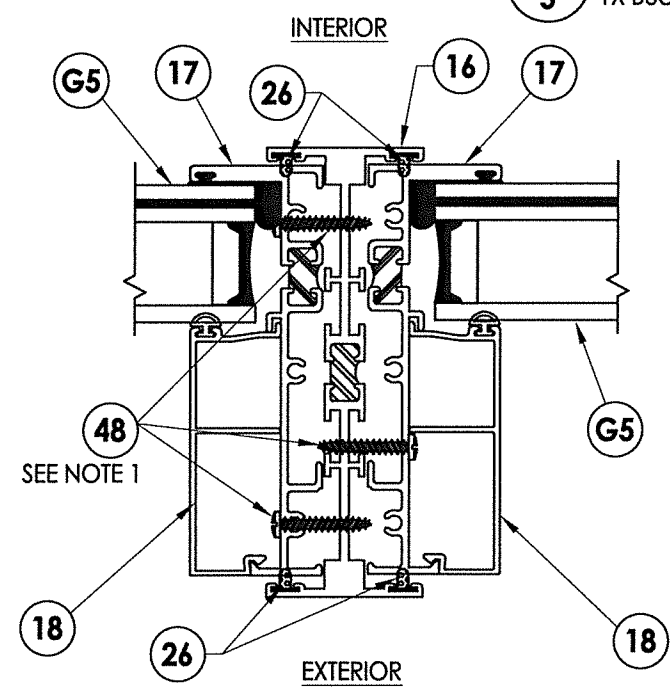
PRODUCT:		FLEETWOOD WINDOWS AND DOORS	
PART OR ASSEMBLY:		HORIZONTAL CROSS SECTIONS	
NO.	DATE	BY	REVISIONS
2	8/11/20	DAC	UPDATE TO 7th ED. (2020) FBC
1	08/07/17	LFS	UPDATE TO 6TH ED. (2017) FBC
DATE: 7/29/15			
SCALE: N.T.S.			
DWG. BY: JK			
CHK. BY: LFS			
DRAWING NO.: FL-17954.4			
SHEET 4 of 12			

\\dc01\wbc\Clients\Fleetwood PERMANENTVA - Florida Product Approvals\FL-17954 Side Hinged Door\C - Drawings\FL 17954 (2020)\FL-17954.1.3.4.6.7.dwg



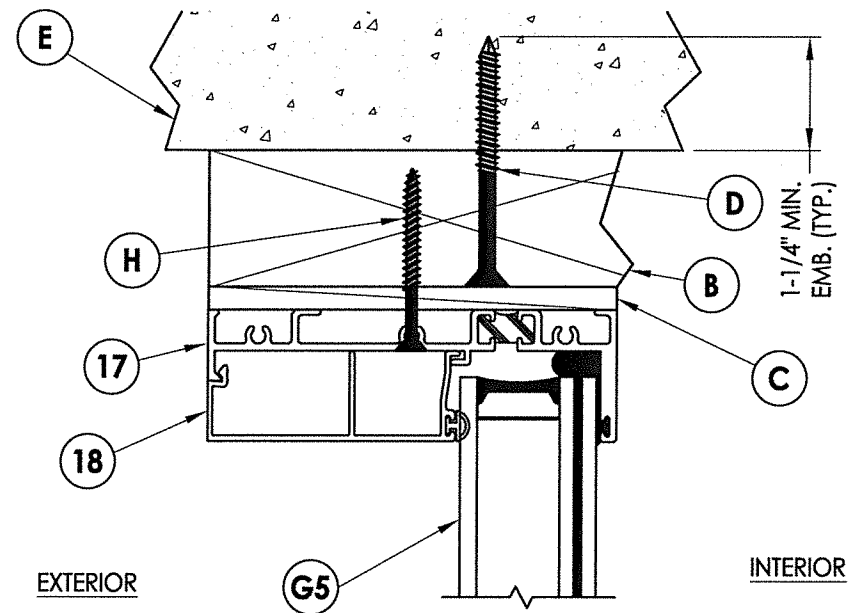
1 HORIZONTAL CROSS SECTION
5 Direct to Masonry

2 HORIZONTAL CROSS SECTION
5 1X Buck Construction

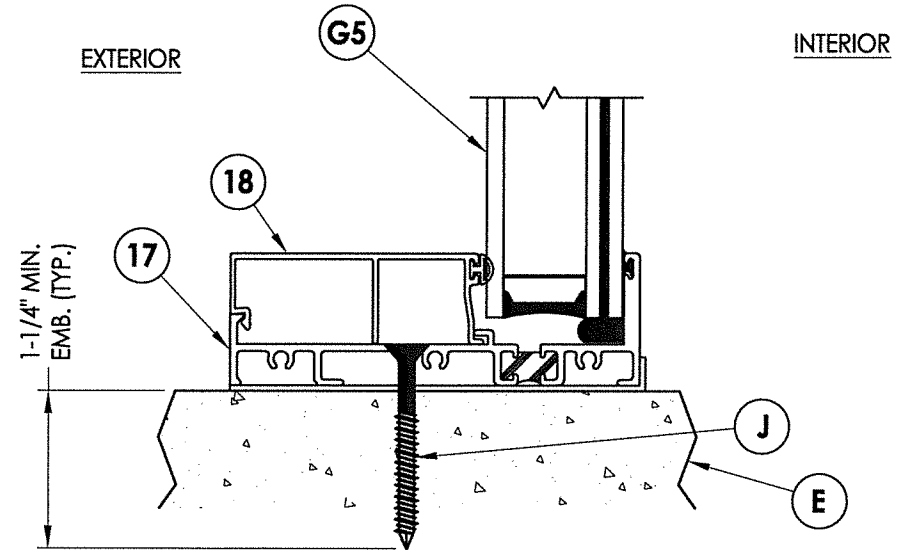


3 HORIZONTAL CROSS SECTION
5

NOTE:
1. Item #42 located 6" from each end then 12" on center.



4 VERTICAL CROSS SECTION
5 2X Buck Construction



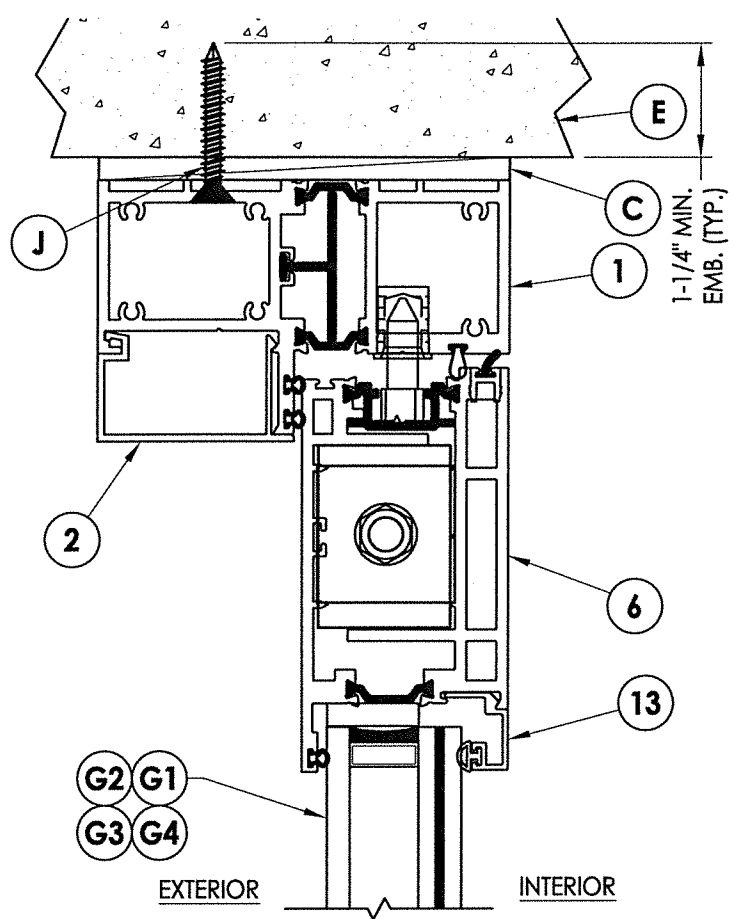
5 VERTICAL CROSS SECTION
5

August 11, 2020
Documents Prepared By:
Lyndon F. Schmidt
P.E. No. 43409

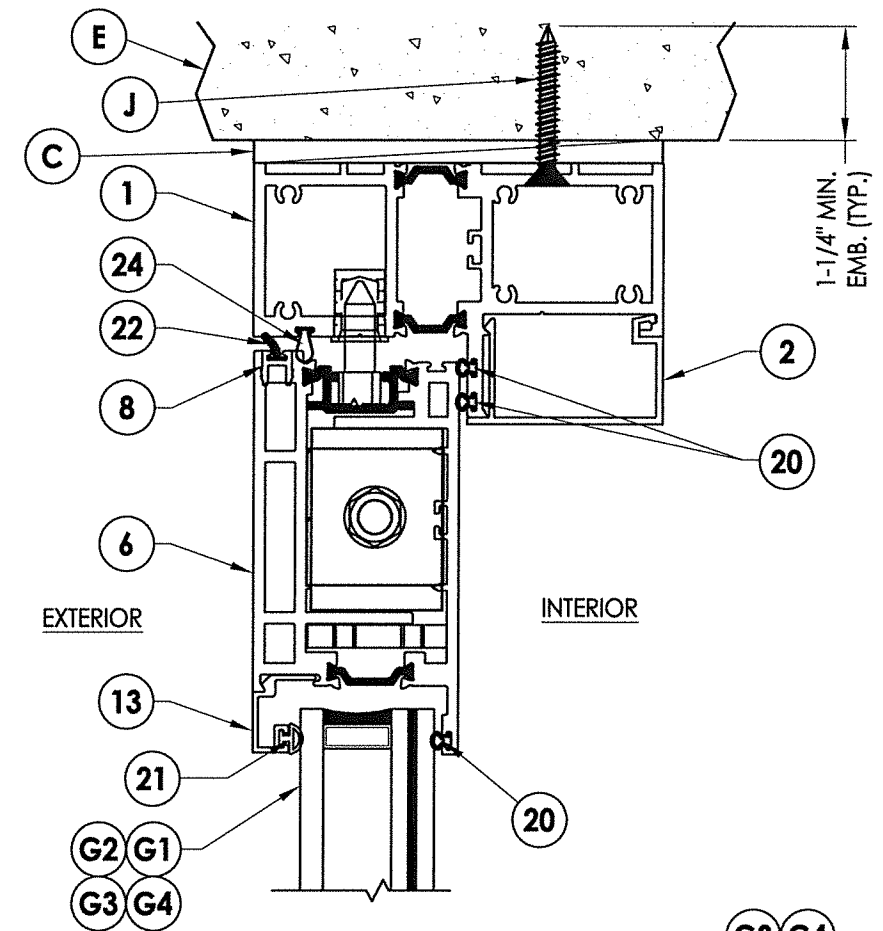
RW BUILDING CONSULTANTS, INC.
P.O. Box 230, Valrico, FL 33595
Phone No.: 813.659.9197
FBPE Registry No. 9813

FLEETWOOD WINDOWS AND DOORS		PART OR ASSEMBLY: HORIZONTAL AND VERTICAL CROSS SECTIONS	
		DAC	LFS
		FBC	FBC
2	8/11/20	UPDATE TO 7th ED. (2020)	FBC
1	08/07/17	UPDATE TO 6th ED. (2017)	FBC
	NO.	DATE	
REVISIONS			
DATE: 7/29/15			
SCALE: N.T.S.			
DWG. BY: JK			
CHK. BY: LFS			
DRAWING NO.: FL-17954.4			
SHEET 5 OF 12			

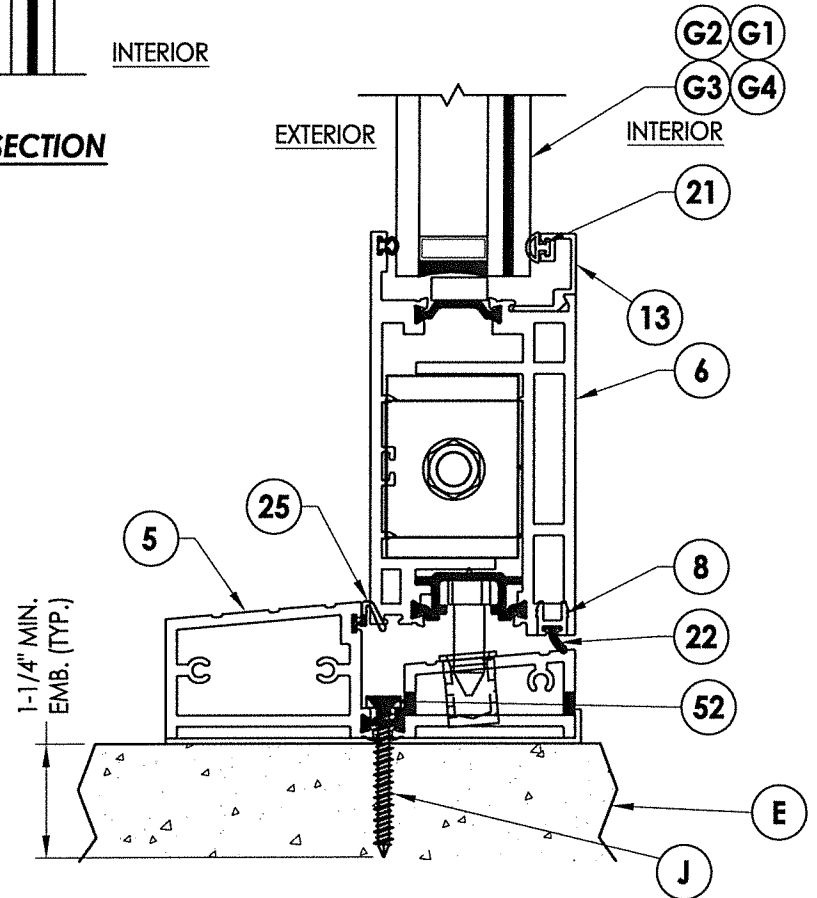
© 2015 R.W. BUILDING CONSULTANTS INC.



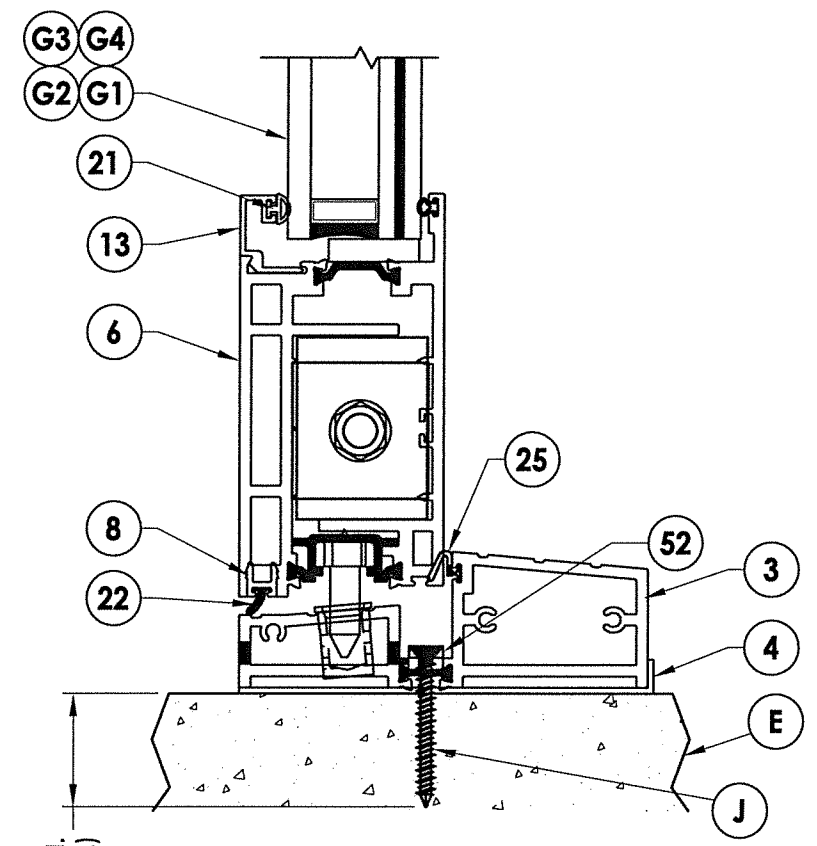
1 VERTICAL CROSS SECTION
6 Inswing Shown



2 VERTICAL CROSS SECTION
6 Outswing Shown



3 VERTICAL CROSS SECTION
6 Inswing Shown

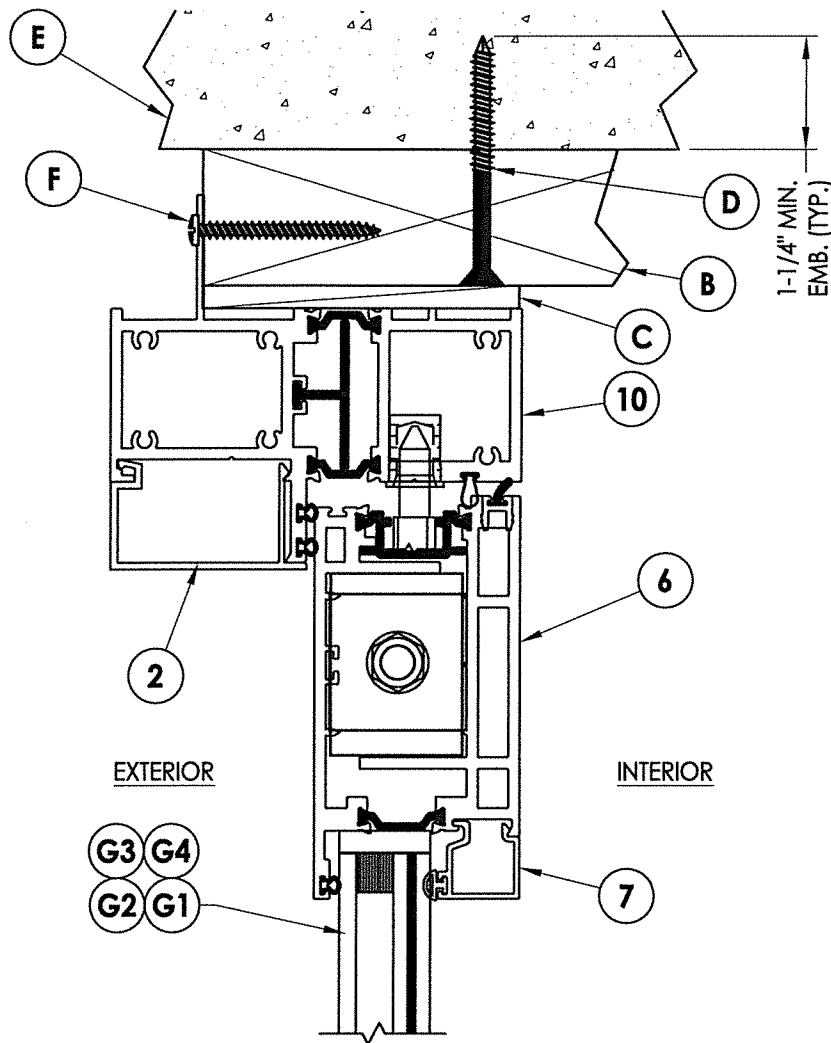


4 VERTICAL CROSS SECTION
6 Outswing Shown

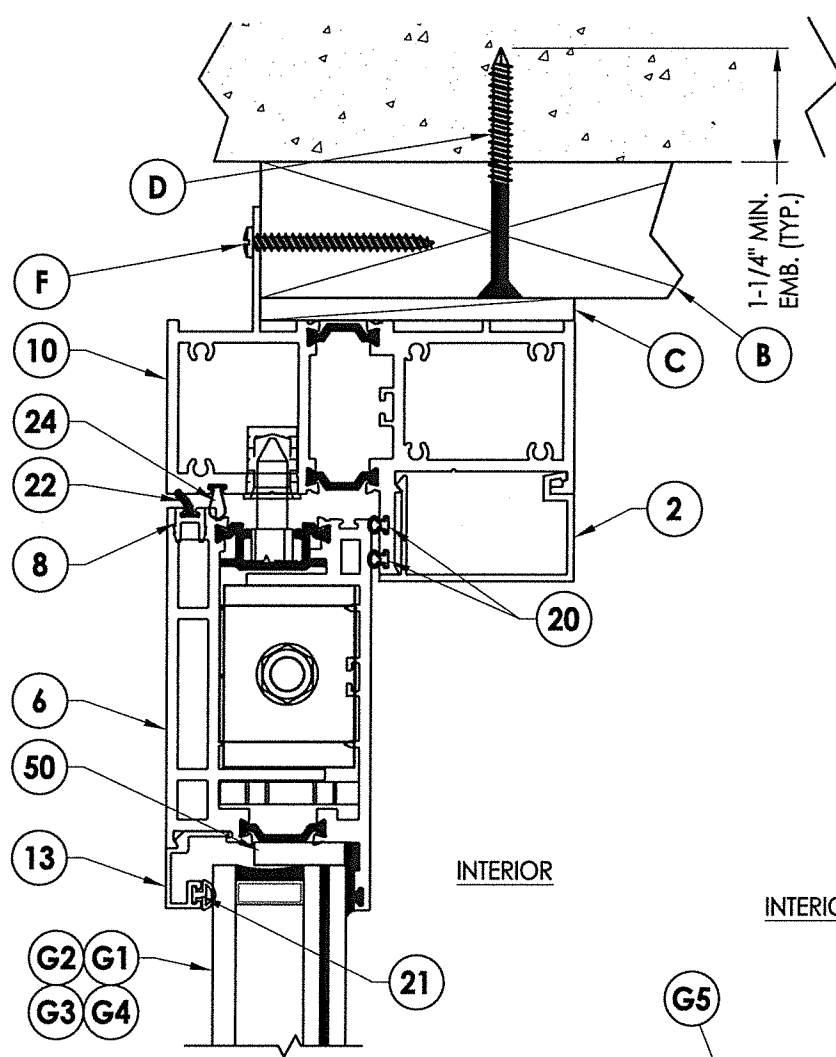
August 11, 2020
 Documents Prepared By:
 Lyndon F. Schmidt
 P.E. No. 43409

RW
 BUILDING CONSULTANTS, INC.
 P.O. Box 230, Valrico, FL 33595
 Phone No.: 813.659.9197
 FBPE Registry No. 9813

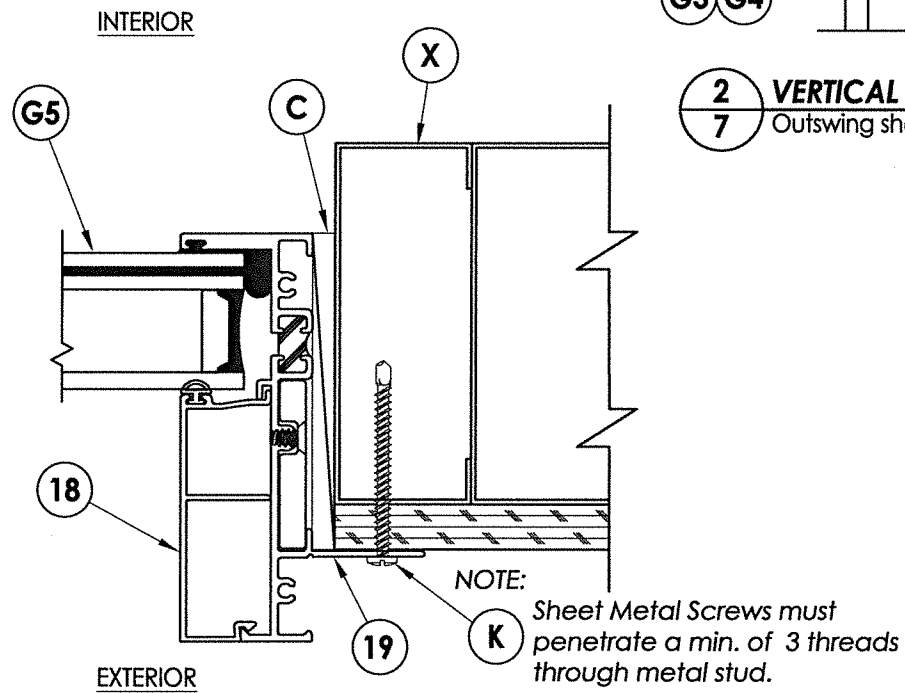
FLEETWOOD WINDOWS AND DOORS		PART OR ASSEMBLY:	
		VERTICAL CROSS SECTIONS	
		DAC	LFS
		UPDATE TO 7th ED. (2020)	FBC
		UPDATE TO 6TH ED. (2017)	FBC
		NO.	DATE
REVISIONS			
DATE: 7/29/15			
SCALE: N.T.S.			
DWG. BY: JK			
CHK. BY: LFS			
DRAWING NO.: FL-17954.4			
SHEET 6 OF 12			



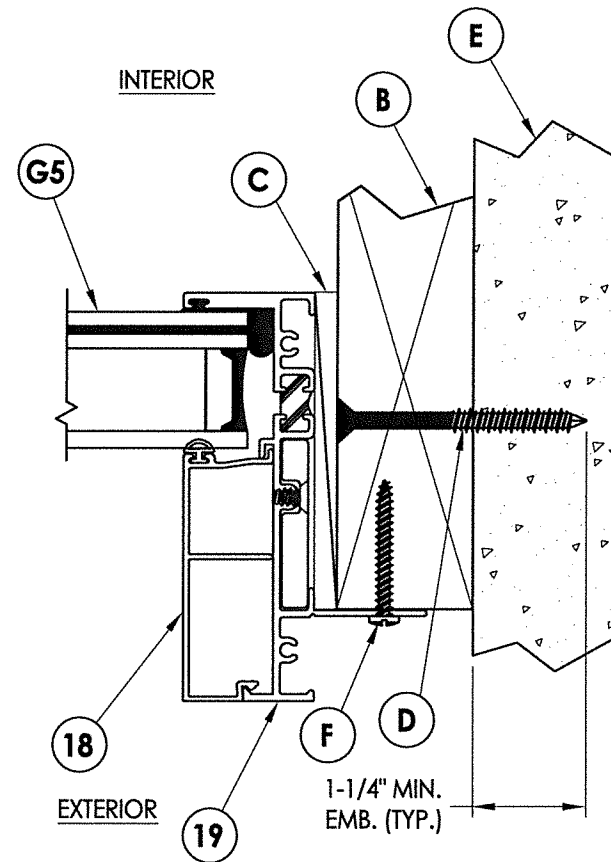
1 VERTICAL CROSS SECTION
7 Inswing shown



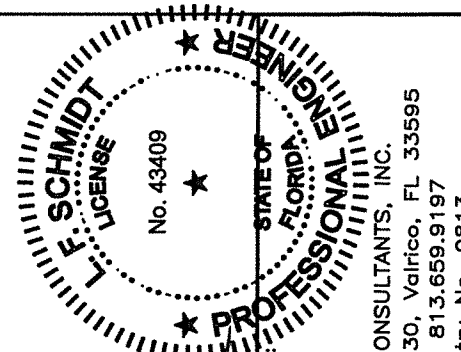
2 VERTICAL CROSS SECTION
7 Outswing shown



3 HORIZONTAL CROSS SECTION
7 Metal Stud Construction
 Inswing shown



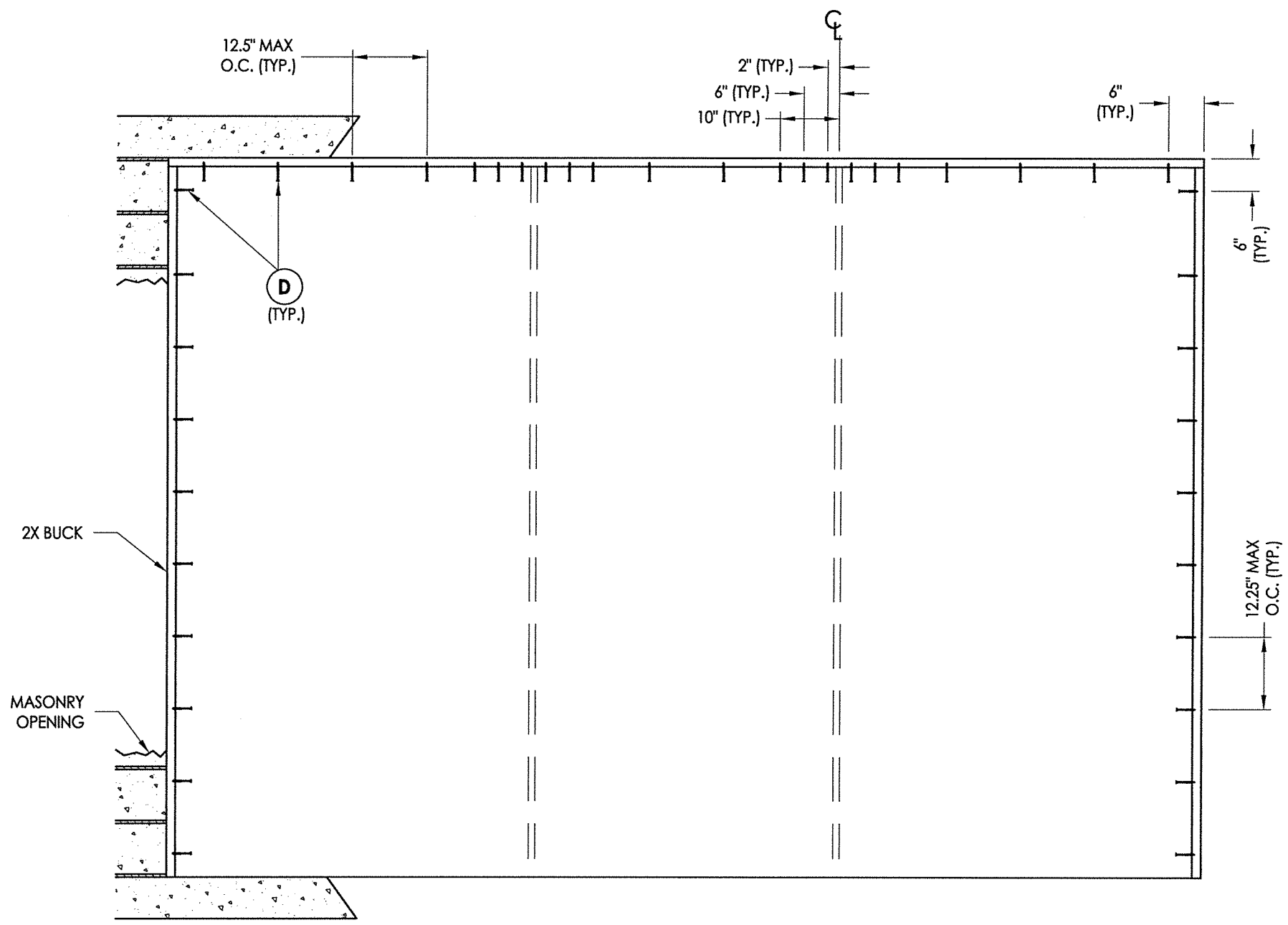
4 HORIZONTAL CROSS SECTION
7 2X Buck Construction
 Inswing shown



August 11, 2020
 Documents Prepared By:
 Lyndon F. Schmidt
 P.E. No. 43409

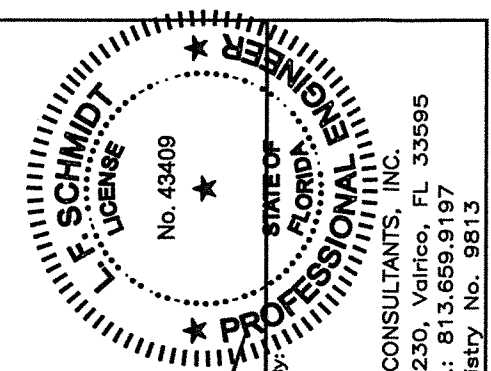
R.W.
 BUILDING CONSULTANTS, INC.
 P.O. Box 230, Valrico, FL 33595
 Phone No.: 813.659.9197
 FBPE Registry No. 9813

FLEETWOOD WINDOWS AND DOORS		PART OR ASSEMBLY:	
		FIN HORIZONTAL AND VERTICAL CROSS SECTIONS	
		DAC	LFS
		FBC	FBC
		(2020)	(2017)
		UPDATE TO 7th ED.	UPDATE TO 6TH ED.
		8/11/20	08/07/17
		NO.	DATE
REVISIONS			
DATE: 7/29/15			
SCALE: N.T.S.			
DWG. BY: JK			
CHK. BY: LFS			
DRAWING NO.: FL-17954.4			
SHEET 7 OF 12			



2X BUCK ANCHORING

OXO Shown (XOO Similar)



August 11, 2020
 Documents Prepared By:
 Lyndon F. Schmidt
 P.E. No. 43409

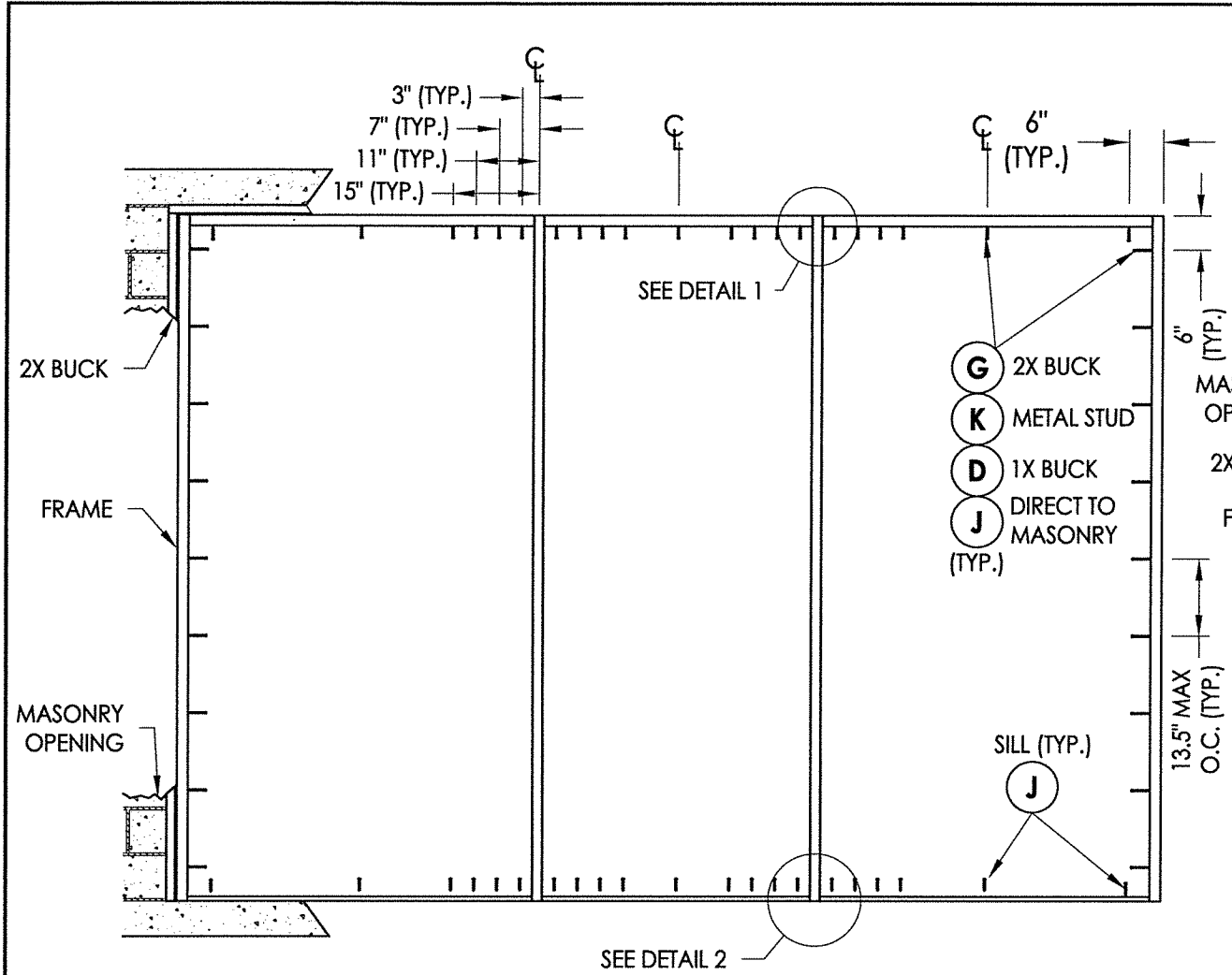
RW BUILDING CONSULTANTS, INC.
 P.O. Box 230, Valrico, FL 33595
 Phone No.: 813.659.9197
 FBPE Registry No. 9813

PRODUCT:
 FLEETWOOD WINDOWS AND DOORS
 PART OR ASSEMBLY:
 BUCK ANCHORING

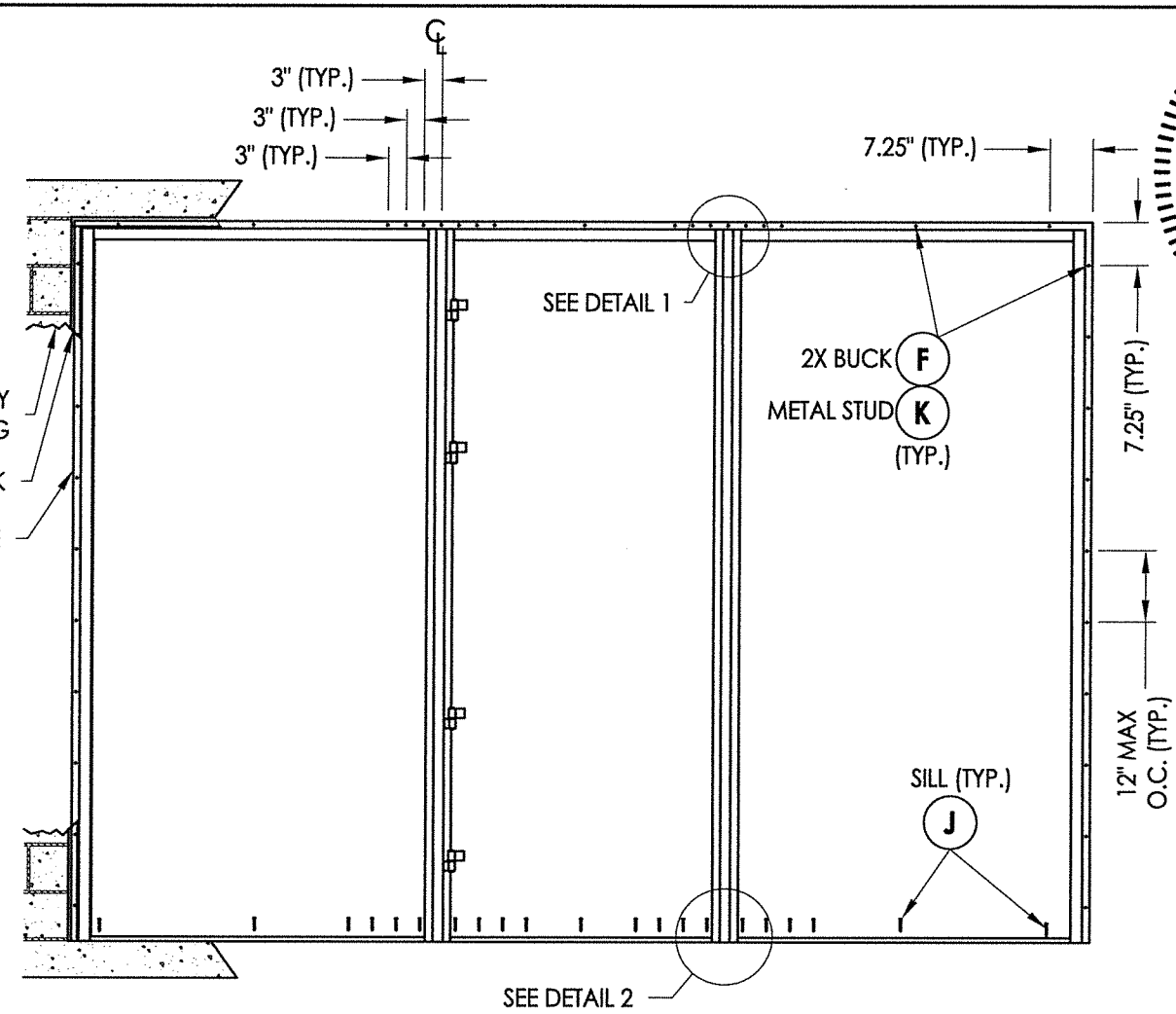
NO.	DATE	REVISIONS
2	8/11/20	UPDATE TO 7TH ED. (2020) FBC
1	08/07/17	UPDATE TO 6TH ED. (2017) FBC

DATE: 7/29/15
 SCALE: N.T.S.
 DWG. BY: JK
 CHK. BY: LFS
 DRAWING NO.:
 FL-17954.4
 SHEET 8 OF 12

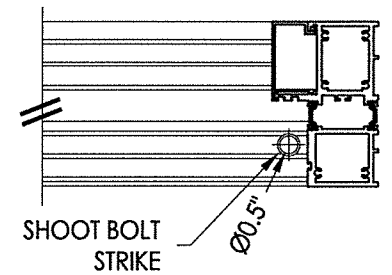
\\dc01\ywb\clients\Fleetwood PERMANENTVA - Florida Product Approvals\FL-17954 Side Hinged Door\C - Drawings\FL 17954 (2020)\FL-17954.1.3.4.6.7.dwg



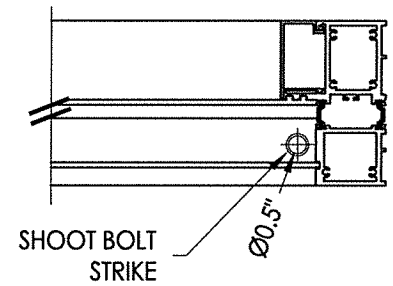
FRAME ANCHORING
OXO Shown (XOO Similar)



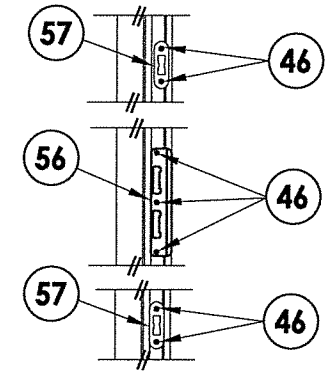
FIN ANCHORING
OXO Shown (XOO Similar)



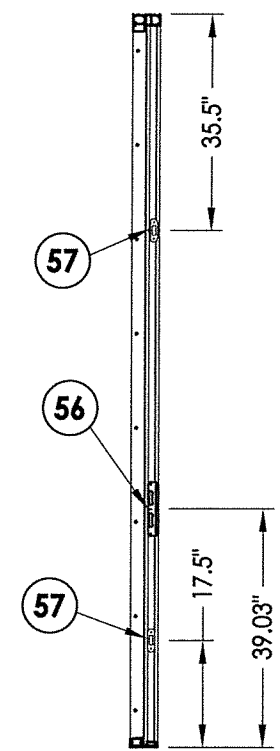
DETAIL 2



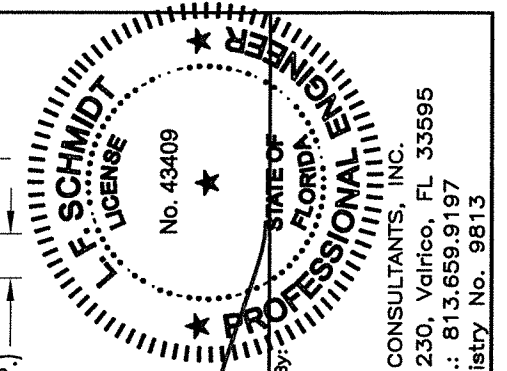
DETAIL 1



STRIKE DETAIL



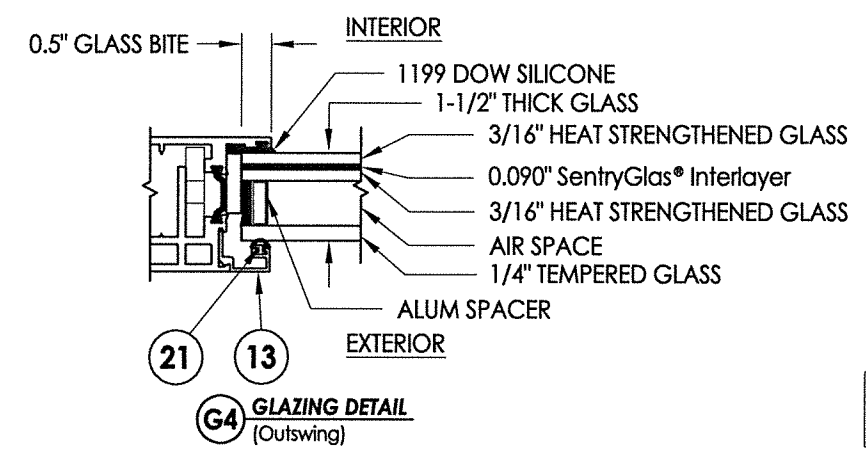
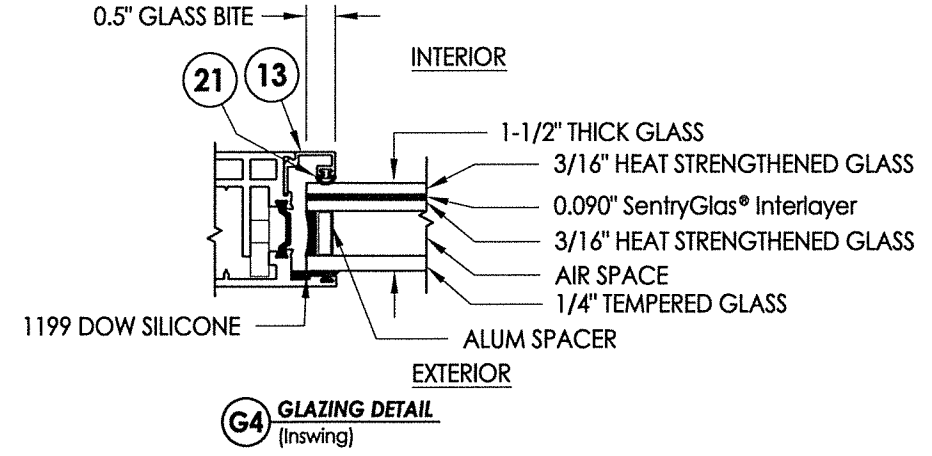
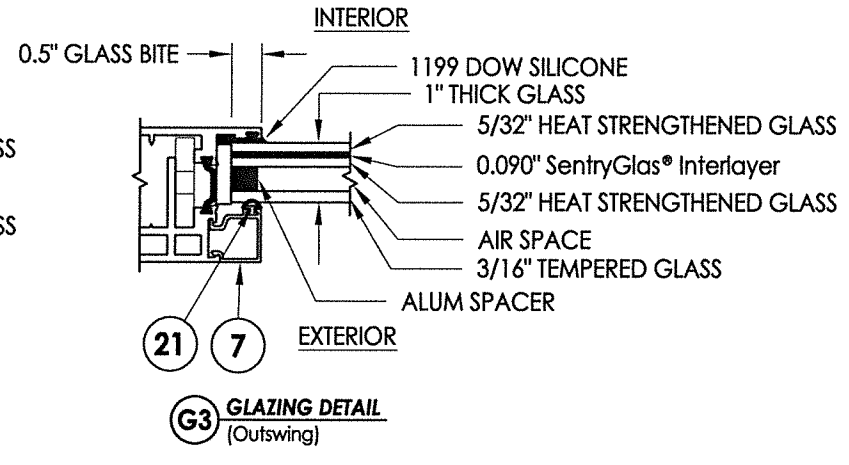
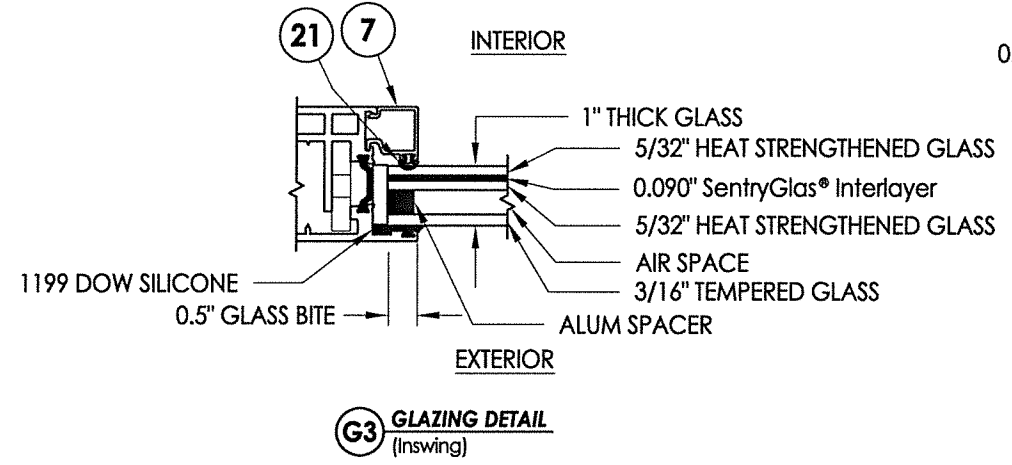
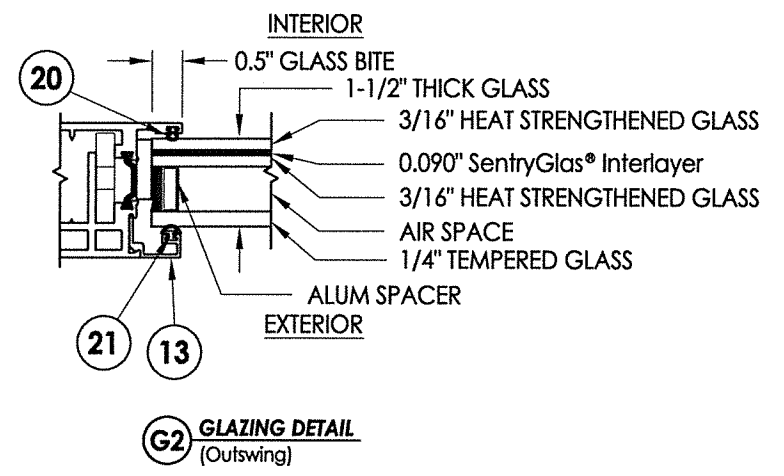
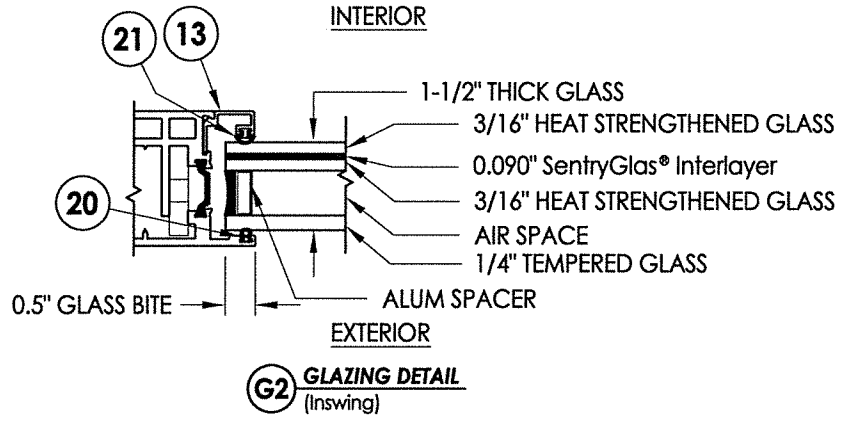
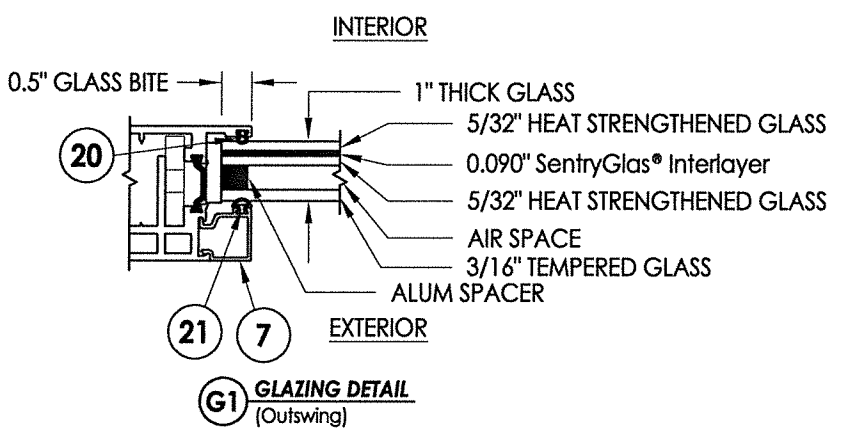
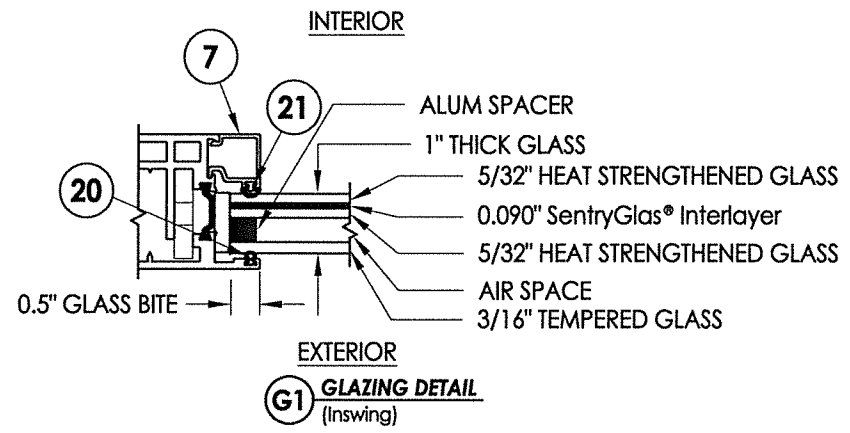
STRIKE PLATE DETAIL



August 11, 2020
 Documents Prepared By:
 Lyndon F. Schmidt
 P.E. No. 43409
 R.W. BUILDING CONSULTANTS, INC.
 P.O. Box 230, Valrico, FL 33595
 Phone No.: 813.659.9197
 FBPE Registry No. 9813

PRODUCT:		FLEETWOOD WINDOWS AND DOORS	
PART OR ASSEMBLY:		FRAME ANCHORING	
NO.	DATE	BY	REVISIONS
2	8/11/20	DAC	UPDATE TO 7TH ED. (2020) FBC
1	08/07/17	LFS	UPDATE TO 6TH ED. (2017) FBC
DATE: 7/29/15			
SCALE: N.T.S.			
DWG. BY: JK			
CHK. BY: LFS			
DRAWING NO.: FL-17954.4			
SHEET 9 OF 12			

\\dc01\wbc\clients\Fleetwood PERMANENTVA - Florida Product Approvals\FL-17954 Side Hinged Door\C - Drawings\FL-17954.1.3.4.6.7.dwg



NOTE: GLAZING > 36" WIDE REQUIRES AT LEAST TWO (2) SETTING BLOCKS CONFORMING TO FBC SECTION 2411.3.3.1.

FLORIDA PROFESSIONAL ENGINEER

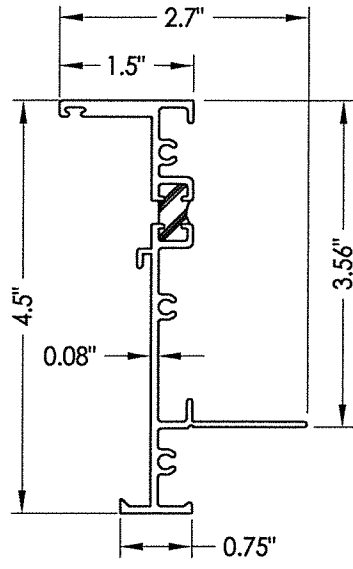
L. SCHMIDT LICENSE No. 43409

August 11, 2020
Documents Prepared By: Lyndon F. Schmidt
P.E. No. 43409

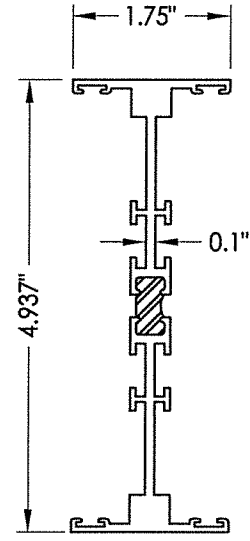
R.W. BUILDING CONSULTANTS, INC.
P.O. Box 230, Vairico, FL 33595
Phone No.: 813.659.9197
FBPE Registry No. 9813

PRODUCT:	FLEETWOOD WINDOWS AND DOORS		
PART OR ASSEMBLY:	GLAZING DETAILS (G1-G4)		
DATE:	7/22/15	SCALE:	N.T.S.
DWG. BY:	JK	CHK. BY:	LFS
DRAWING NO.:	FL-17954.4	NO. DATE	
SHEET	10	OF	12

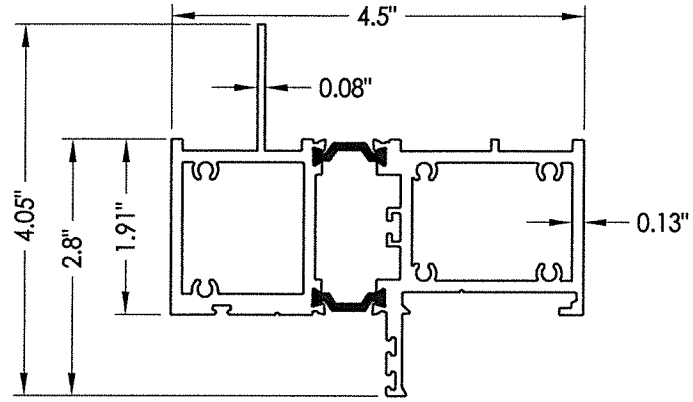
© 2015 R.W. BUILDING CONSULTANTS INC.



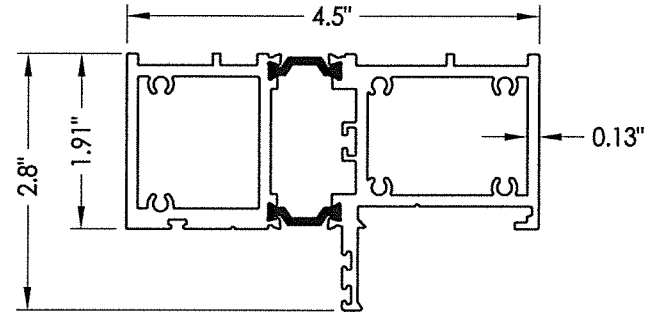
17 KONA FRAME (Fin)



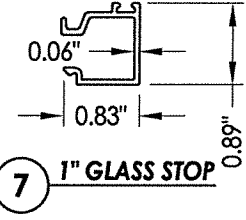
16 KONA I-MULLION



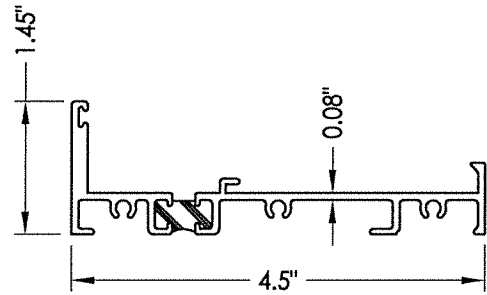
10 FRAME (FIN)



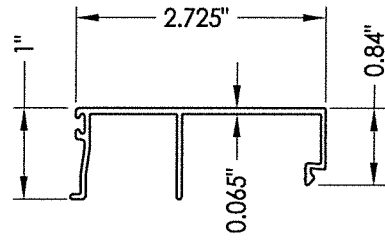
1 FRAME



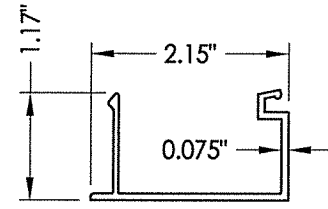
7 1" GLASS STOP



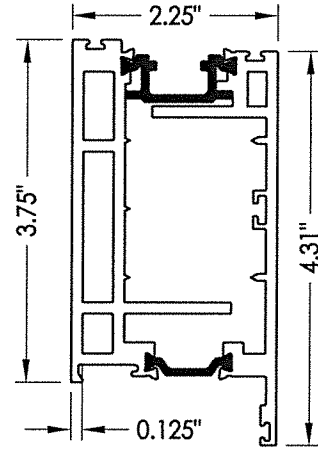
19 KONA FRAME



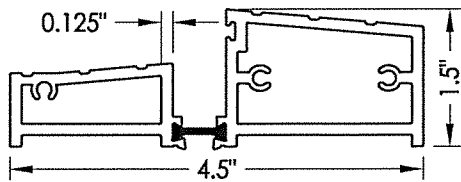
18 KONA 1-1/2" GLASS STOP



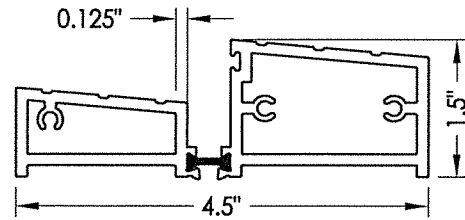
2 FRAME SNAP-IN



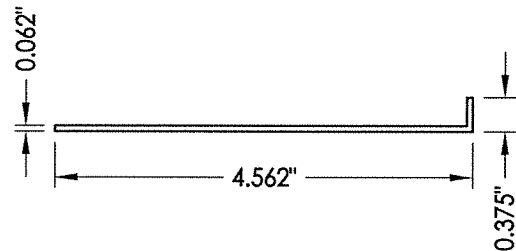
6 SASH



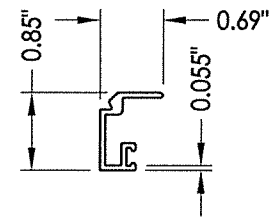
3 OUTSWING SILL



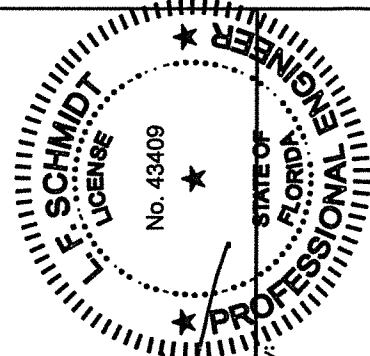
5 INSWING SILL



4 SILL PAN



13 1.5" GLASS STOP



August 11, 2020
 Documents Prepared By:
 Lyndon F. Schmidt
 P.E. No. 43409

RW BUILDING CONSULTANTS, INC.
 P.O. Box 230, Valrico, FL 33595
 Phone No.: 813.659.9197
 FBPE Registry No. 9813

PRODUCT:
 FLEETWOOD WINDOWS AND DOORS
 PART OR ASSEMBLY:
 COMPONENTS

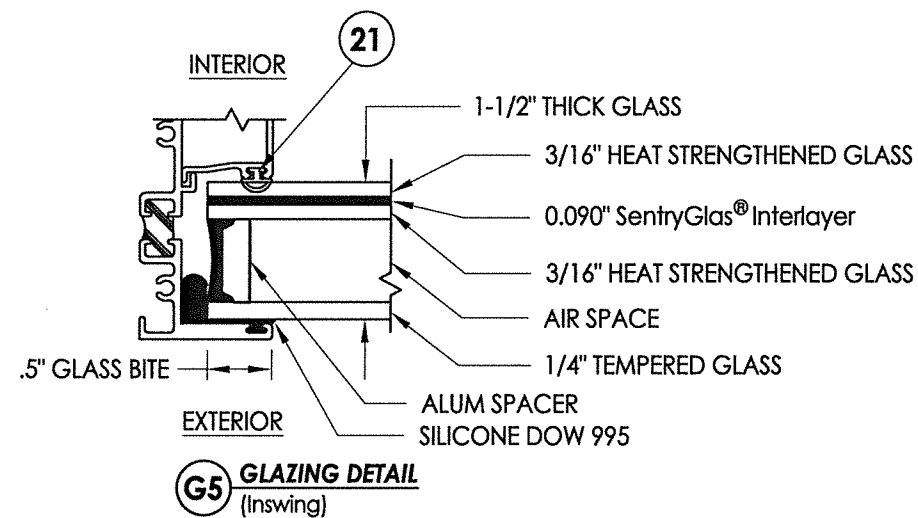
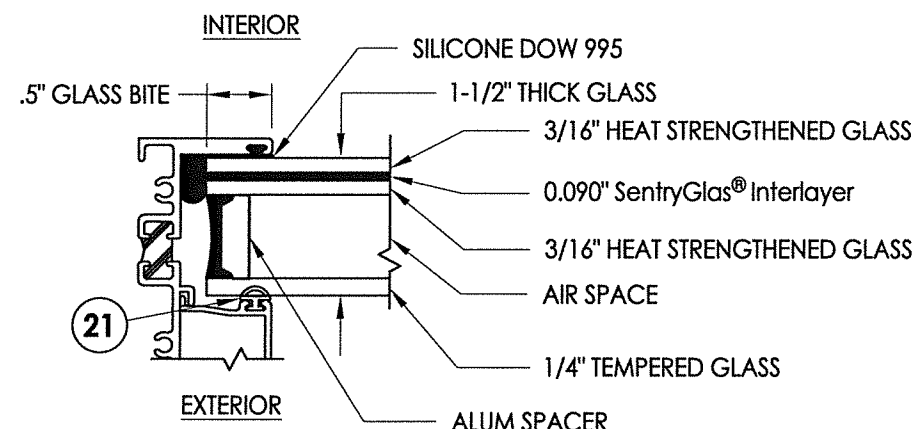
NO.	DATE	REVISIONS
2	8/11/20	UPDATE TO 7th ED. (2020) FBC
1	08/07/17	UPDATE TO 6TH ED. (2017) FBC

DATE:	7/29/15
SCALE:	N.T.S.
DWG. BY:	JK
CHK. BY:	LFS
DRAWING NO.:	FL-17954.4
SHEET	11 OF 12

\\dc01\rbw\clients\Fleetwood PERMANENTA - Florida Product Approvals\FL-17954 Side Hinged Door\C - Drawings\FL-17954 (2020)\FL-17954.1.3.4.6.7.dwg

BILL OF MATERIALS

ITEM #	DESCRIPTION	MATERIAL - MANUFACTURER
A	1X BUCK SG >= 0.55	WOOD
B	2X BUCK SG >= 0.55	WOOD
C	1/4" MAX. SHIM SPACE	-
D	1/4" X 2-3/4" DeWALT OR ITW PFH CONCRETE SCREW	STEEL
E	MASONRY - 3,000 PSI MIN. CONCRETE CONFORMING TO ACI 301 OR HOLLOW BLOCK CONFORMING TO ASTM C90	CONCRETE
F	#10 x 1-3/4" PPH WOOD SCREW (1-1/2" MIN. EMBEDMENT)	STEEL
G	#10 x 2" PPH WOOD SCREW (1-1/2" MIN. EMBEDMENT)	STEEL
J	1/4" X 2-1/4" ITW PFH CONCRETE SCREW	STEEL
K	#10 FH SELF-DRILLING SMS	STEEL
X	STEEL STUD Min. Thk .033" (ASTM A653 GRADE 33 Fy=33 Ksi Min, Fu=45 Ksi Min)	STEEL
1	FRAME	6063-T6 ALUM
2	FRAME SNAP-IN	6063-T6 ALUM
3	OUTSWING SILL	6063-T6 ALUM
4	SILL PAN	6063-T6 ALUM
5	INSWING SILL	6063-T6 ALUM
6	SASH	6063-T6 ALUM
7	1" GLASS STOP	6063-T6 ALUM
8	ATLANTIC SEAL CLIP	6063-T6 ALUM
10	FRAME (FIN)	6063-T6 ALUM
13	1.5" GLASS STOP	6063-T6 ALUM
16	KONA I-MULLION	6063-T6 ALUM
17	KONA FRAME (FIN)	6063-T6 ALUM
18	KONA 1-1/2" GLASS STOP	6063-T6 ALUM
19	KONA FRAME	6063-T6 ALUM
20	BULB VINYL - MINI (EPDM 70 Durometer)	TREMCO, # TX20801E
21	BULB VINYL - LARGE (EPDM 70 Durometer)	TREMCO, # TX19638E
22	FOAM SEAL	EMESBURY, # 32390
24	Q-LON FOAM SEAL	SCHLEGEL CORP., # Q375T190
25	Q-LON FOAM SEAL	SCHLEGEL CORP., # QEZ 376
31	BUTT HINGE	SAVIO
32	BACK UP KIT	SAVIO
33	HINGE BOLT, 8M X 48MM (FOR PANEL)	SAVIO
36	BACK UP PLATE FOR CORNER BLOCK	-
37	MACHINE SCREW NO 10-32, FHP 1.125"	STAINLESS STEEL
38	MACHINE SCREW NO 10-32, FHP .75"	STAINLESS STEEL
39	HEX HEAD CAP SCREW .375-16, 2.250"	STAINLESS STEEL
40	.375-16 SS. HEX NUT	STAINLESS STEEL
41	.375 SPLIT LOCK WASHER	STAINLESS STEEL
46	#10 X 1/2" PFH SMS	STAINLESS STEEL
47	#10 X 2" PFH SMS	STAINLESS STEEL
48	#8 x 1" PFH SMS	STAINLESS STEEL
49	#10 X 2-1/2" PFH SMS	STAINLESS STEEL
50	4" LONG SETTING BLOCK	-
52	ANCHOR BLOCK	6063-T6 ALUM
56	LATCH AND DEADBOLT STRIKE PLATE	STAINLESS STEEL
57	STRIKE PLATE	STAINLESS STEEL
60	TDL BAR	6063-T6 ALUM



CONCRETE ANCHOR NOTES:

- Concrete anchor locations at the corners may be adjusted to maintain the min. edge distance to mortar joints.
- Concrete anchor locations noted as "MAX. ON CENTER" must be adjusted to maintain the min. edge distance to mortar joints, additional concrete anchors may be required to ensure the "MAX. ON CENTER" dimension are not exceeded.
- Concrete anchor table:

ANCHOR TYPE	ANCHOR SIZE	MIN. EMBEDMENT	MIN. CLEARANCE TO MASONRY EDGE	MIN. CLEARANCE TO ADJACENT ANCHOR
ITW TAPCON®	1/4"	1-1/4"	2"	4"
DeWALT ULTRACON®	1/4"	1-1/4"	1"	4"
ITW TAPCON®	3/16"	1-1/4"	3"	1-1/2"

WOOD SCREW INSTALLATION NOTES:

- Maintain a minimum 5/8" edge distance, 1" end distance, & 1" o.c. spacing of wood screws to prevent the splitting of wood.

August 11, 2020
 Documents Prepared By:
 Lyndon F. Schmidt
 P.E. No. 43409

R.W.
 BUILDING CONSULTANTS, INC.
 P.O. Box 230, Vairico, FL 33595
 Phone No.: 813.659.9197
 FBPE Registry No. 9813

PRODUCT:		FLEETWOOD WINDOWS AND DOORS	
PART OR ASSEMBLY:		BILL OF MATERIALS & GLAZING DETAILS (G5)	
DATE:	7/29/15	DAC	FBC
SCALE:	N.T.S.	LFS	FBC
DWG. BY:	JK	NO.	DATE
CHK. BY:	LFS	1	08/07/17
DRAWING NO.:	FL-17954.4	BY	REVISIONS
SHEET	12	OF	12

© 2015 R.W. BUILDING CONSULTANTS INC.