

GLASSCRAFT DOOR COMPANY TEST REPORT

SCOPE OF WORK

STRUCTURAL TESTING ON
HARDWOOD GLAZED DOUBLE /SINGLE TDL DOORS

REPORT NUMBER

H4307.01-801-44

TEST DATE(S)

09/20/17 - 09/22/17

ISSUE DATE

10/10/17

RECORD RETENTION END DATE

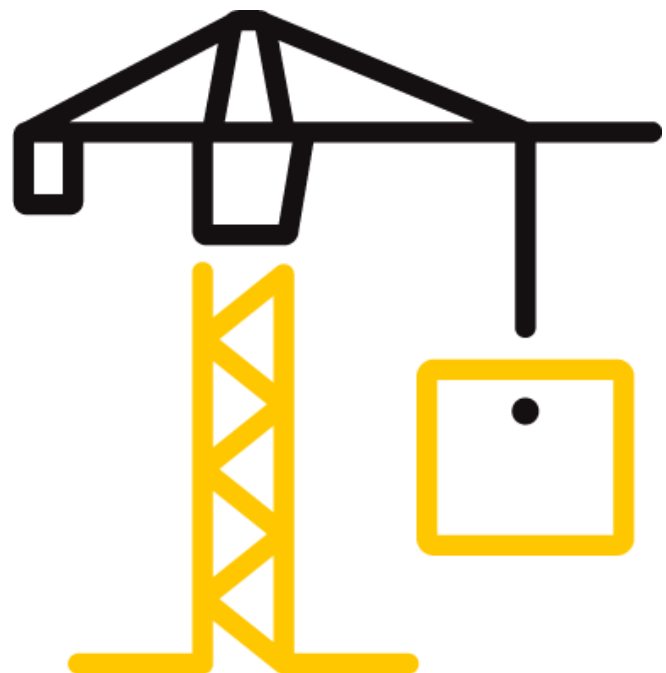
09/22/21

PAGES

10

DOCUMENT CONTROL NUMBER

ATI 00479 (07/24/17)
RT-R-AMER-Test-2805
© 2017 INTERTEK



REPORT ISSUED TO
GLASSCRAFT DOOR COMPANY

2002 Brittmoore Rd
Houston, Texas 77043-2209

SECTION 1
SCOPE

Intertek Building & Construction (B&C) was contracted by GlassCraft Door Company, 2002 Brittmoore Rd., Houston Texas 77043 to perform testing in accordance with ASTM E330/E330M-14, on their Hardwood Glazed Double TDL Doors, Outswing and Inswing Type. Results obtained are tested values and were secured by using the designated test method(s).

This report does not constitute certification of this product nor an opinion or endorsement by this laboratory.

For INTERTEK B&C:

COMPLETED BY:	Clint Barnett
TITLE:	Technician
SIGNATURE:	
DATE:	10/10/17

CAB:jw

REVIEWED BY:	John Waskow
TITLE:	Operations Manager
SIGNATURE:	
DATE:	10/10/17

REVIEWED BY:	Tyler Westerling
TITLE:	Sr. Project Engineer
SIGNATURE:	
DATE:	10/10/17

This report is for the exclusive use of Intertek's Client and is provided pursuant to the agreement between Intertek and its Client. Intertek's responsibility and liability are limited to the terms and conditions of the agreement. Intertek assumes no liability to any party, other than to the Client in accordance with the agreement, for any loss, expense or damage occasioned by the use of this report. Only the Client is authorized to permit copying or distribution of this report and then only in its entirety. Any use of the Intertek name or one of its marks for the sale or advertisement of the tested material, product or service must first be approved in writing by Intertek. The observations and test results in this report are relevant only to the sample(s) tested. This report by itself does not imply that the material, product, or service is or has ever been under an Intertek certification program.

SECTION 2

SUMMARY OF TEST RESULTS

Test Specimen # 1 Inswing TDL Double & Single Door

TITLE	RESULTS
Design Pressure	±2880 Pa (±60.15 psf)
Uniform Load Structural Test Pressure	±4320 Pa (±90.23 psf)

Test Specimen # 2 Outswing TDL Double & Single Door

TITLE	RESULTS
Design Pressure	±2880 Pa (±60.15 psf)
Uniform Load Structural Test Pressure	±4320 Pa (±90.23 psf)

SECTION 3

TEST METHOD(S)

The specimens were evaluated in accordance (general accordance if deviated from method; all deviations must be described within test report) with the following:

ASTM E330/E330M-14, *Standard Test Method for Structural Performance of Exterior Windows, Doors, Skylights and Curtain Walls by Uniform Static Air Pressure Difference*

SECTION 4

MATERIAL SOURCE/INSTALLATION

Test specimen(s) were provided by the client. Representative samples of the test specimen(s) will be retained by Intertek B&C for a minimum of four years from the test completion date.

The specimen was installed into a Spruce-Pine-Fir wood buck. The rough opening allowed for a 1/2" shim space. Installation of the tested product was performed by the client.

Double Door

LOCATION	ANCHOR DESCRIPTION	ANCHOR LOCATION
Head	#8 x 3" Wood Screws	4" from each end then 4-7/8" over from the first anchor then every 18-3/4" thereafter.
Sill	#8 x 3" Wood Screws	3-1/8" from each end then every 15-1/16" thereafter
Jambs	#8 x 3" Wood Screws #8 x 1-1/2" Wood Screws	The doors utilized three hinges spaced 8" from the top and bottom and at the midpoint of the jambs. The hinges utilized four screws. A #8 x 3" (2) wood screw was utilized on the top and bottom of the hinges and a #8 x 1-1/2" (2) wood screw was utilized in the center of the hinges. A 3" screw was anchored through the jambs in between the hinges.

**SECTION 5
EQUIPMENT**

Calibration of test equipment was performed by Intertek B&C in accordance with AAMA 205-01 "In-Plant Testing Guidelines for Manufacturers and Independent Laboratories"

**SECTION 6
LIST OF OFFICIAL OBSERVERS**

NAME	COMPANY
Andy Cost	Intertek B&C
Clint Barnett	Intertek B&C

SECTION 7**TEST SPECIMEN DESCRIPTION****Product Type:** Hardwood Glazed Double/SINGLE TDL Doors**Series/Model:** Hardwood Glazed Double/SINGLE TDL Doors**Product Size(s):****Test Specimen #1 Inswing Double Door**

OVERALL AREA:	WIDTH		HEIGHT	
	millimeters	inches	millimeters	inches
7.20 m ² (77.64 ft ²)				
Overall Size	2883	113-1/2	2502	98-3/4
Double Door Leaf (2)	914	36	2438	96
Single Door Leaf (1)	914	36	2438	96

Test Specimen #2 Outswing Double Door

OVERALL AREA:	WIDTH		HEIGHT	
	millimeters	inches	millimeters	inches
7.20 m ² (77.64 ft ²)				
Overall Size	2883	113-1/2	2502	98-3/4
Double Door Leaf (2)	914	36	2438	96
Single Door Leaf (1)	914	36	2438	96

*The following descriptions apply to all specimens.***Frame Construction:**

FRAME MEMBER	MATERIAL	DESCRIPTION
Head and Jambs	Hardwood	1-1/4" x 4-1/2" Custom Extruded Hardwood
Threshold	Aluminum	5/1/2" Custom Extruded Aluminum
Mullion	Hardwood	Custom Extruded Hardwood

	JOINERY TYPE	DETAIL
All Corners	Coped & Butted	Anchored together at each end with #9 x 3" Screws. All joints were sealed.

Panel Construction:

LEAF MEMBER	MATERIAL	DESCRIPTION
Top Rail	Hardwood	Wood

Bottom Rails	Hardwood	Wood
Lock Rail	Hardwood	Wood
Hinge Rail	Hardwood	Wood
Muntin	Hardwood	Wood

	JOINERY TYPE	DETAIL
Top Rail to Lock rail and Hinge Rail	Coped and Butted	Glued together with two Dowels on each side
Bottom rails to Lock rail and Hinge Rail	Coped and Butted	Glued together with two Dowels on each side
Muntin to lock rail and hinge rail	Coped and Butted	Glued together with two Dowels on each side

Weatherstripping:

DESCRIPTION	QUANTITY	LOCATION
1/2" Four Finger Vinyl Gasket	1 Row	Bottom of each door leaf
5/8" Vinyl Gasket	1 Row	Frame Jamb and Head

Glazing: *No conclusions of any kind regarding the adequacy or inadequacy of the glass in any glazed test specimen(s) can be made.*

GLASS TYPE	SPACER TYPE	INTERIOR LITE	EXTERIOR LITE	GLAZING METHOD
3/4" IG	Butyl	1/8" Tempered	1/8" Tempered	Glazed into glazing pocket with Structural Silicone

LOCATION	QUANTITY	DAYLIGHT OPENING		GLASS BITE
		millimeters	inches	
Door Leaf	12	273 x 349	11 x 30 5/8	1"

Drainage: A Sloped Sill was utilized

Hardware:

DESCRIPTION	QUANTITY	LOCATION
Kwikset Lock Set with Dead bolt lock	3	Locking jamb of door panel
Surface Bolts 3/4" x 8" 1/4" thick	6	Top and bottom of each door leaf. Anchored to the door leaf with 1-1/2" screws. The depth of the slides were 3"

4" x 4" x 5/8" Radius Hinge

9

Anchored to the door leaf and into the jambs with a #9 x 1" screw in the two center holes and #8 x 3" screw in the two outer holes.

SECTION 8
TEST RESULTS

The temperature during testing was 21°C (70°F). The results are tabulated as follows:

Test Specimen #1: Inswing Door

TITLE OF TEST	RESULTS	ALLOWED	NOTE
Uniform Load Deflection, per ASTM E330 Deflections taken on mull rail +2880 Pa (+60.15 psf) -2880 Pa (-60.15 psf)	16 mm (0.64") 17 mm (0.68")	Report Only	1, 2
Uniform Load Structural, per ASTM E330 Permanent set taken on mull rail +0000 Pa (+90.23 psf) -0000 Pa (-90.23 psf)	< 1 mm (0.01") < 1 mm (0.01")	10 mm (0.38") max. 10 mm (0.38") max.	1, 2

Test Specimen #1: Outswing Door

TITLE OF TEST	RESULTS	ALLOWED	NOTE
Uniform Load Deflection, per ASTM E330 Deflections taken on mull rail +2880 Pa (+60.15 psf) -2880 Pa (-60.15 psf)	15 mm (0.61") 18 mm (0.69")	Report Only	1, 2
Uniform Load Structural, per ASTM E330 Permanent set taken on mull rail +0000 Pa (+90.23 psf) -0000 Pa (-90.23 psf)	< 1 mm (0.01") < 1 mm (0.01")	10 mm (0.38") max. 10 mm (0.38") max.	1, 2

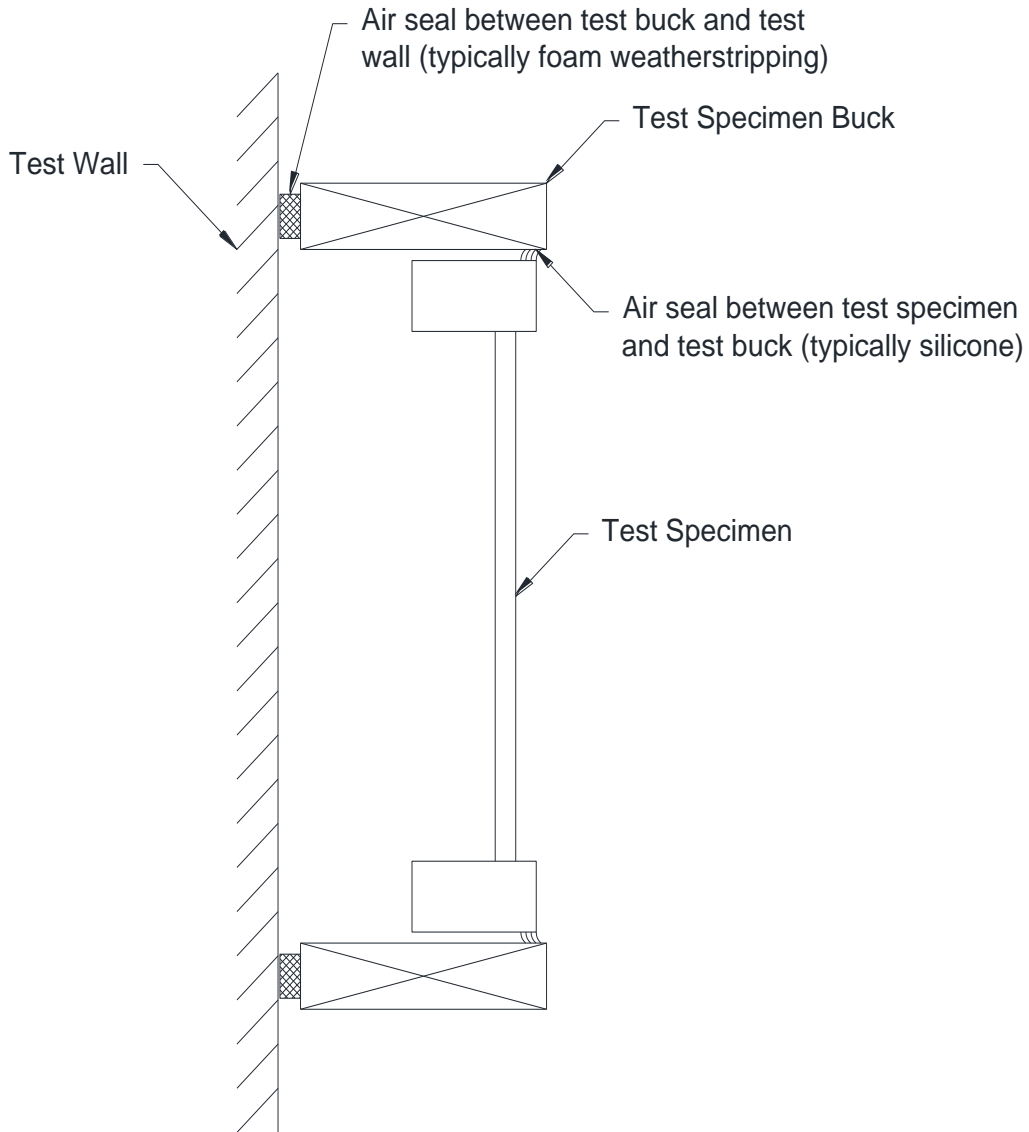
General Note: All testing was performed in accordance with the referenced standard(s).

Note 1: Loads were held for 10 seconds.

Note 2: Tape and film were used to seal against air leakage during structural testing. In our opinion, the tape and film did not influence the results of the test.

SECTION 9
LOCATION OF AIR SEAL

The air seal between the test specimen and the test wall is detailed below. The seal is made of foam weatherstripping and is attached to the edge of the test specimen buck. The test specimen buck is placed against the test wall and clamped in place, compressing the weatherstripping and creating a seal.



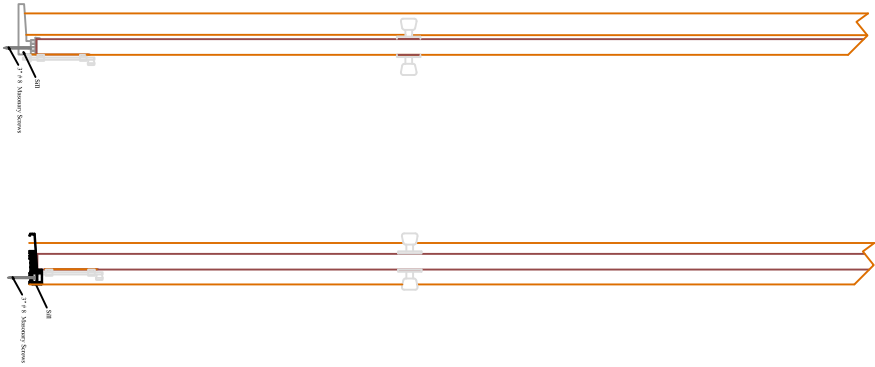
SECTION 10 DRAWINGS

The test specimen drawings have been reviewed by Intertek B&C and are representative of the test specimen(s) reported herein. Test specimen construction was verified by Intertek B&C per the drawings included in this report. Any deviations are documented herein or on the drawings.

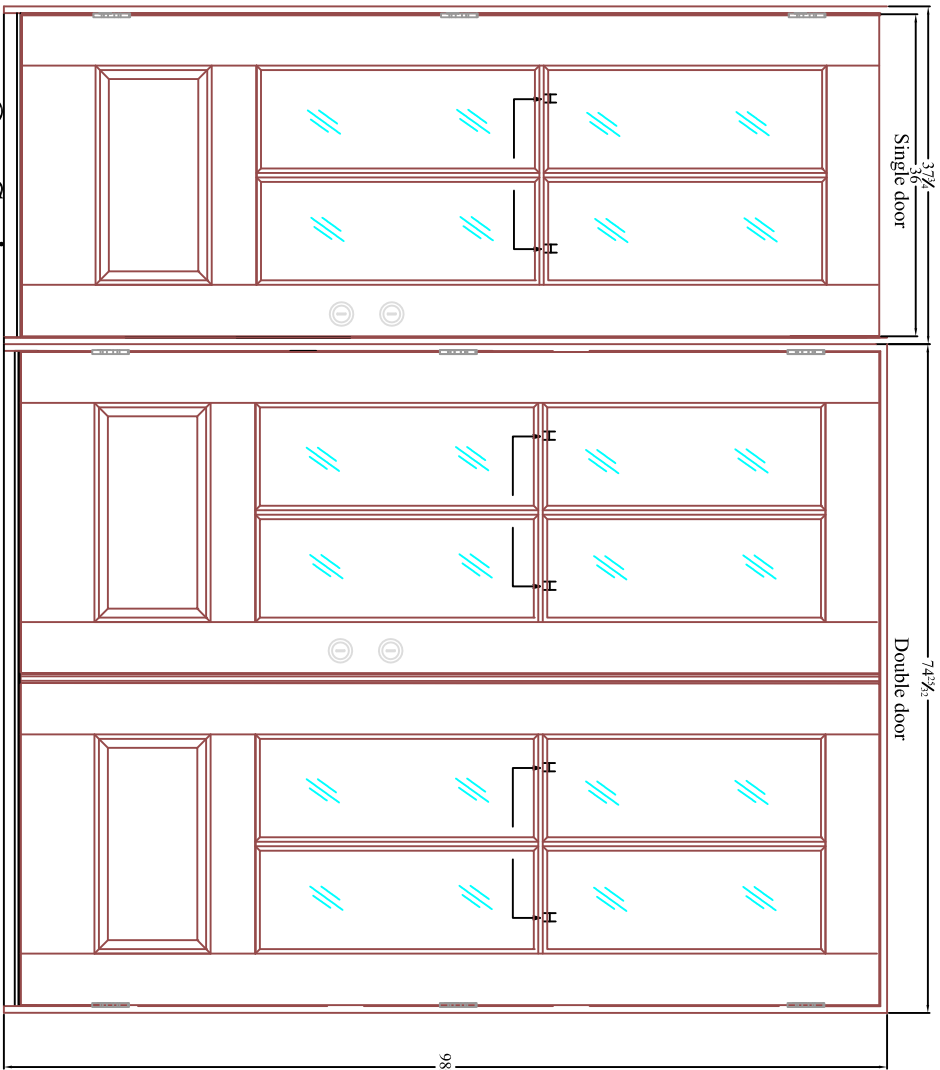
Note: *Complete drawings packet on file with Intertek B&C.*

SECTION 11
REVISION LOG

REVISION #	DATE	PAGES	REVISION
0	10/10/17	N/A	Original Report Issue



In Swing Out Swing



Out Swing

ELEVATION

Glass*Craft

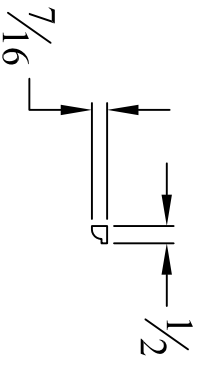
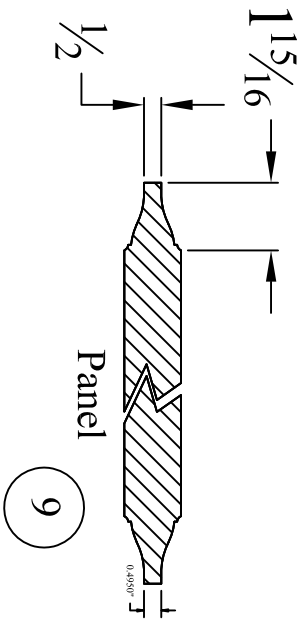
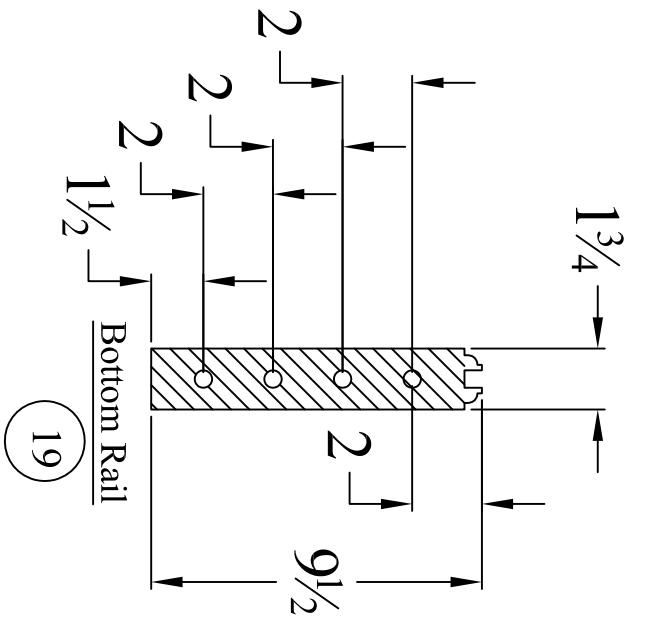
Hardwood Glazed Double TDL Doors



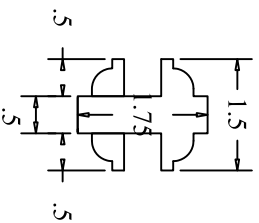
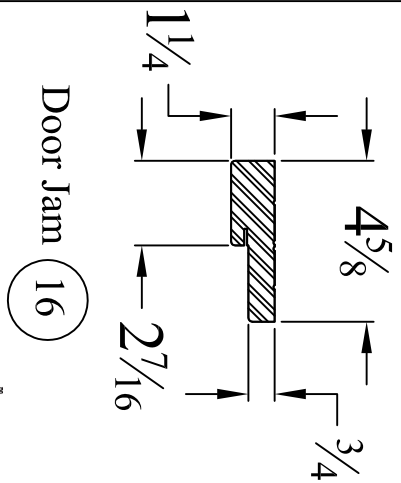
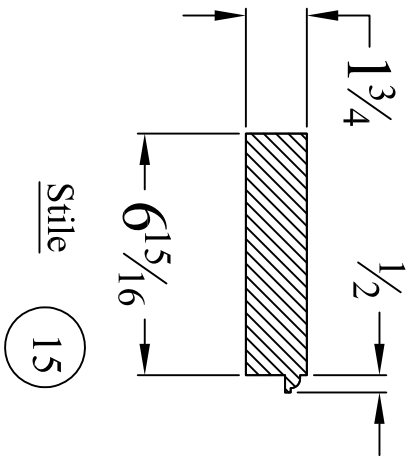
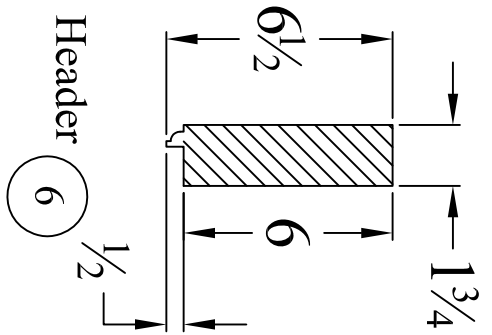
Test sample complies with details shown herein. Any deviations are noted in the test report drawings.

Report#: H4307.01-801-44

Date: 10/30/17 By: CB



Quarter Rnd. Trim (13)



Mull (14)



Test sample complies with details shown herein. Any deviations are noted in the test report drawings.
 Report#: H4307.01-801-44
 Date: 10/30/17 By: CB

List of Material

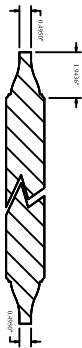
Item #	Description	Material
1	Masonry	CONC.
2	2x Buck	Wood
4	Lock Set	Metal
5	Surface Bolts	Metal
6	Top Header	Wood
7	4"x4" 5/8" Radius Hinge	Metal
8	Glass	Glass
9	Panel	Wood
10	Inswing Sill	Alum.
11	3" #9 Wood screw	Metal
12	#9x1" PFH Wood Screw	Metal
13	Quarter Round Trim	Wood
14	Mull	Wood
15	Stile	Wood
16	Door Jam	Wood
17	Door Bottom	Vinyl
18	10-32 Sex Bolt	Metal
19	Bottom Rail	Wood
20	Weather Strip	Foam
21	Outswing Sill	Alum.



Mull (14)



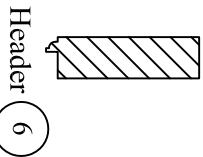
Stile (15)



Panel (9)



Quarter Rnd. Trim (13)



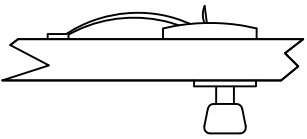
Header (6)



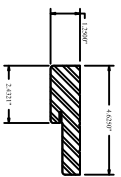
Outswing Sill (21)



Inswing Sill (10)



Lock Set (4)



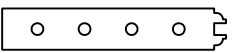
Door Jam (16)



Weather Strip (20)



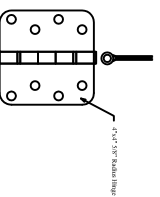
Glass (8)



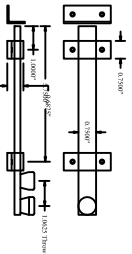
Bottom Rail (19)



10-32 Sex Bolt (18)



4"x4" 5/8" Radius Hinge (7)



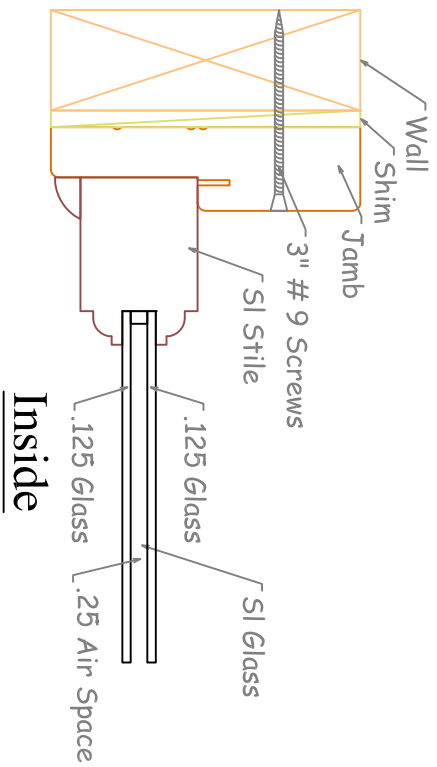
Surface Bolt (5)



Test sample complies with details shown herein. Any deviations are noted in the test report drawings.

Report#: H4307.01-801-44

Date: 10/30/17 By: CB



L
Sidelite

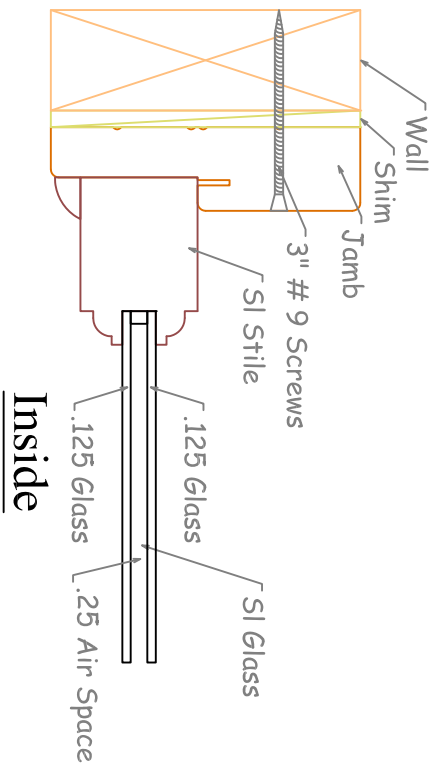
Glass*Craft
Hardwood Glazed Double TDL Doors



Test sample complies with details shown herein. Any deviations are noted in the test report drawings.

Report#: H4307.01-801-44

Date: 10/30/17 By: CB



L
Sidelite

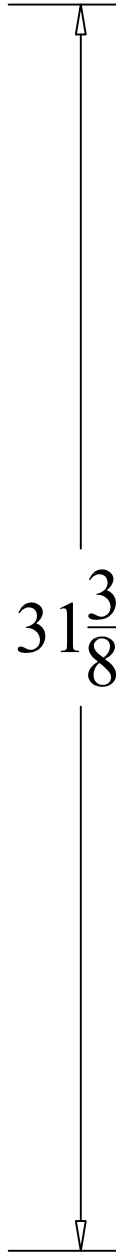
Glass*Craft
 Hardwood Glazed Double TDL Doors



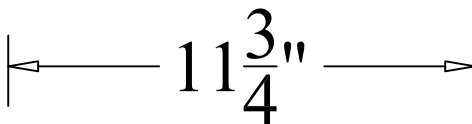
Test sample complies with details shown herein. Any deviations are noted in the test report drawings.

Report#: H4307.01-801-44

Date: 10/30/17 By: CB



$31\frac{3}{8}$ "



$11\frac{3}{4}$ "



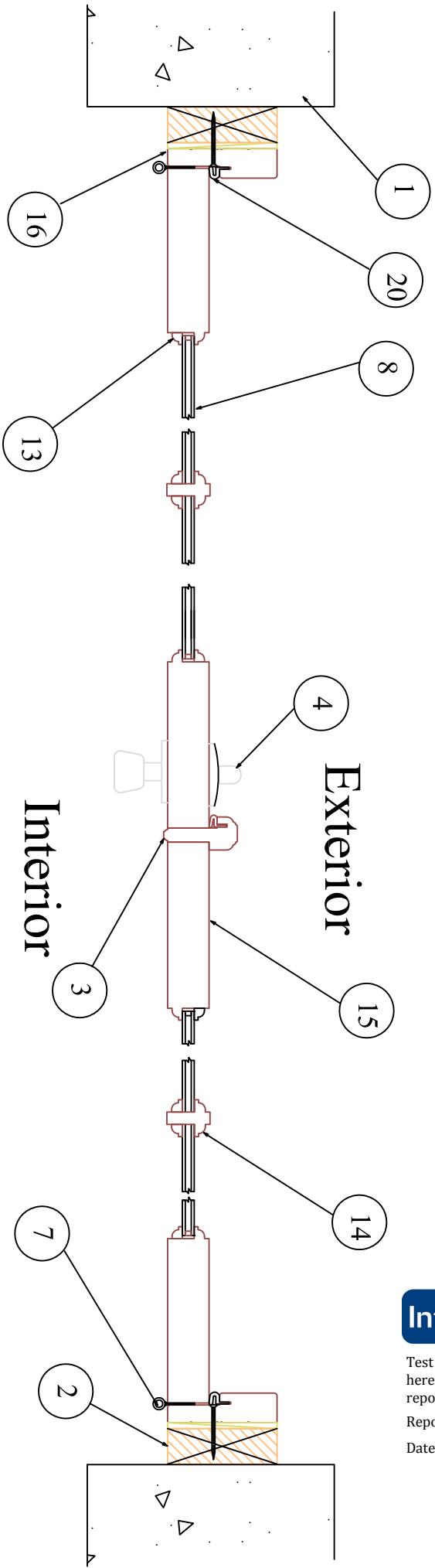
Test sample complies with details shown herein. Any deviations are noted in the test report drawings.

Report#: H4307.01-801-44

Date: 10/30/17 By: CB

Glass*Craft

Hardwood Glazed Double TDL Doors



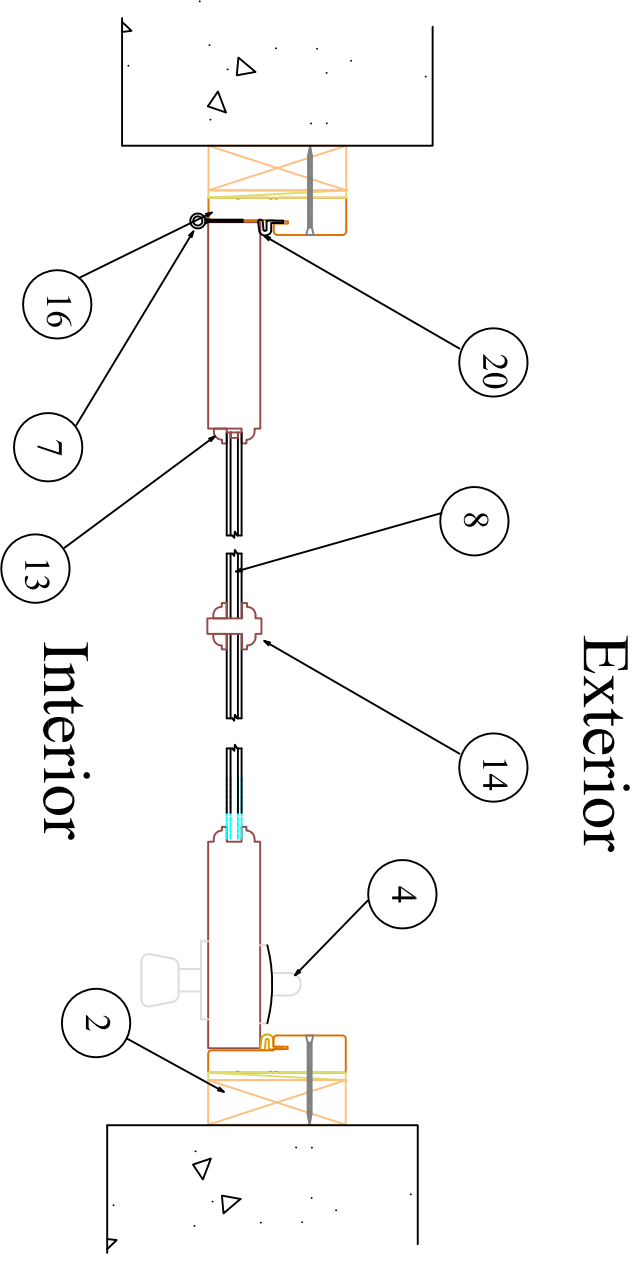
Horizontal Cross Section



Test sample complies with details shown herein. Any deviations are noted in the test report drawings.

Report#: H4307.01-801-44

Date: 10/30/17 By: CB



Exterior

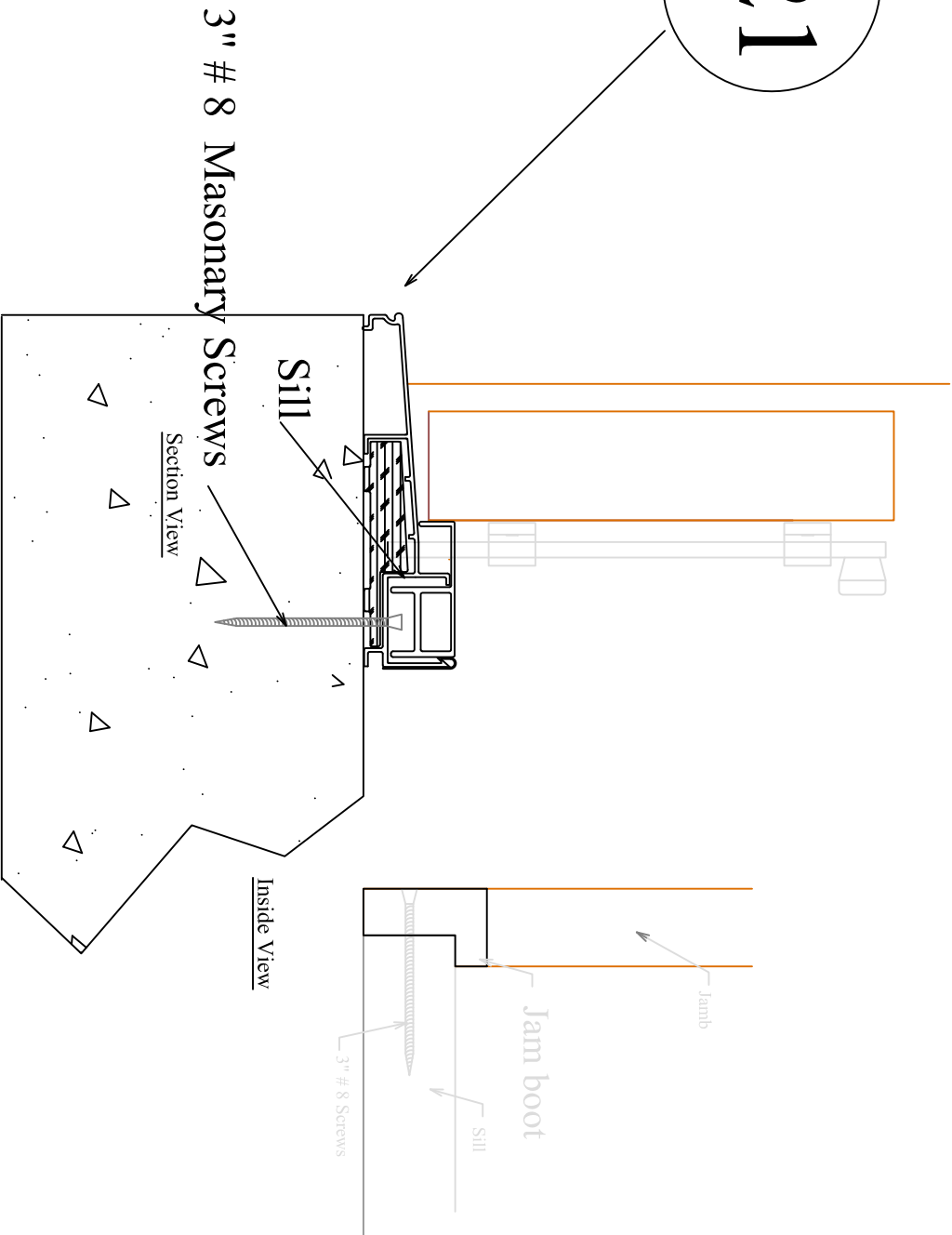
Interior

Horizontal Cross Section



Test sample complies with details shown herein. Any deviations are noted in the test report drawings.
 Report#: H4307.01-801-44
 Date: 10/30/17 By: CB

21



A Threshold Outswing Sill

Glass*Craft
Hardwood Glazed Double TDL Doors

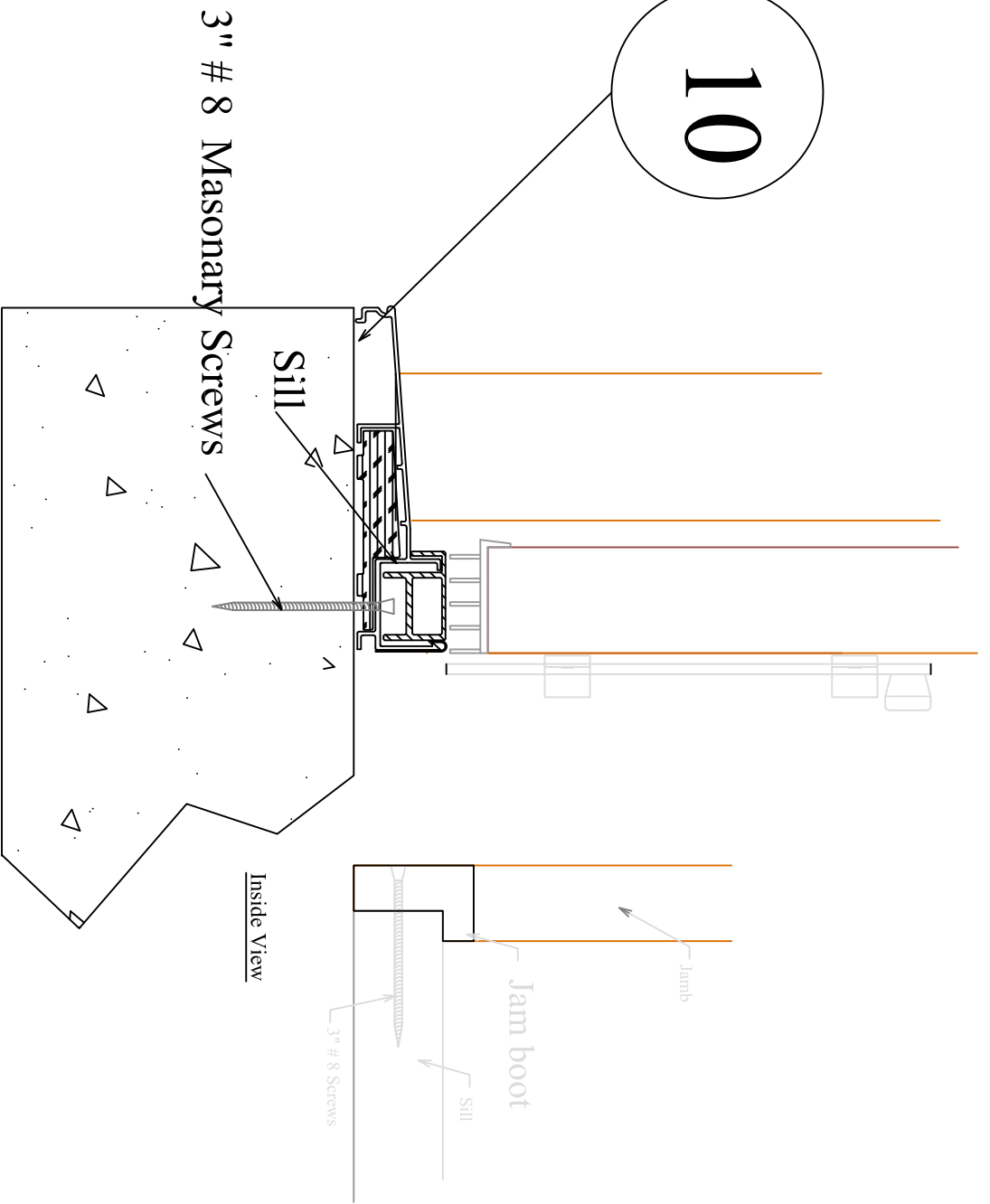


Test sample complies with details shown herein. Any deviations are noted in the test report drawings.

Report#: H4307.01-801-44

Date: 10/30/17 By: CB

10



A Threshold Inswing Sill

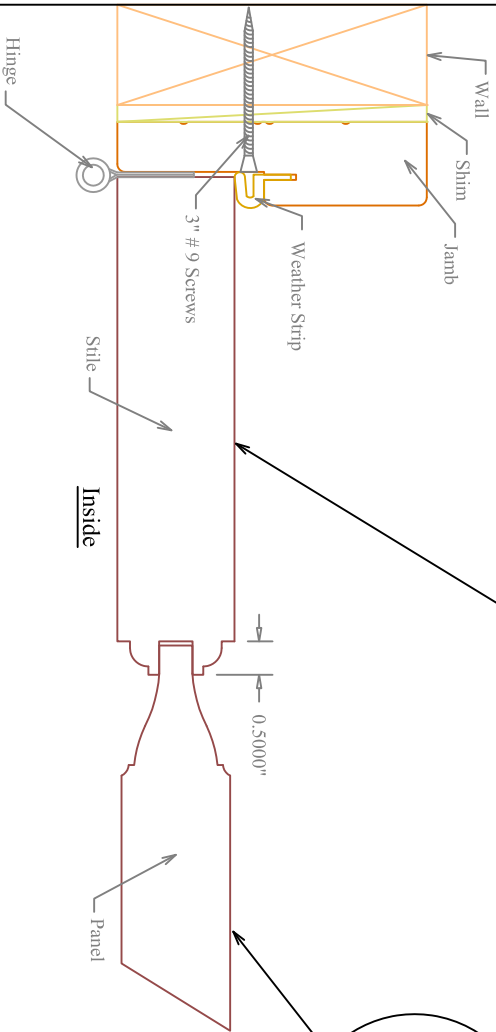
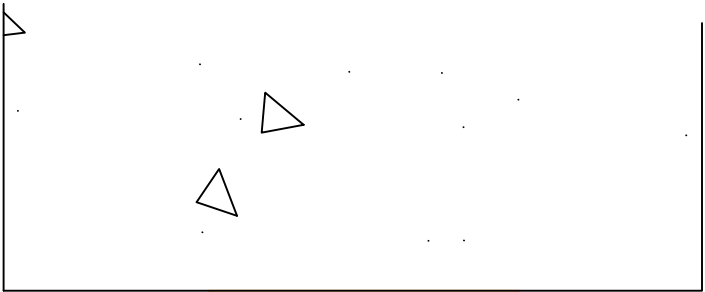
Glass*Craft
Hardwood Glazed Double TDL Doors



Test sample complies with details shown herein. Any deviations are noted in the test report drawings.

Report#: H4307.01-801-44

Date: 10/30/17 By: CB



15

9

B

Panel

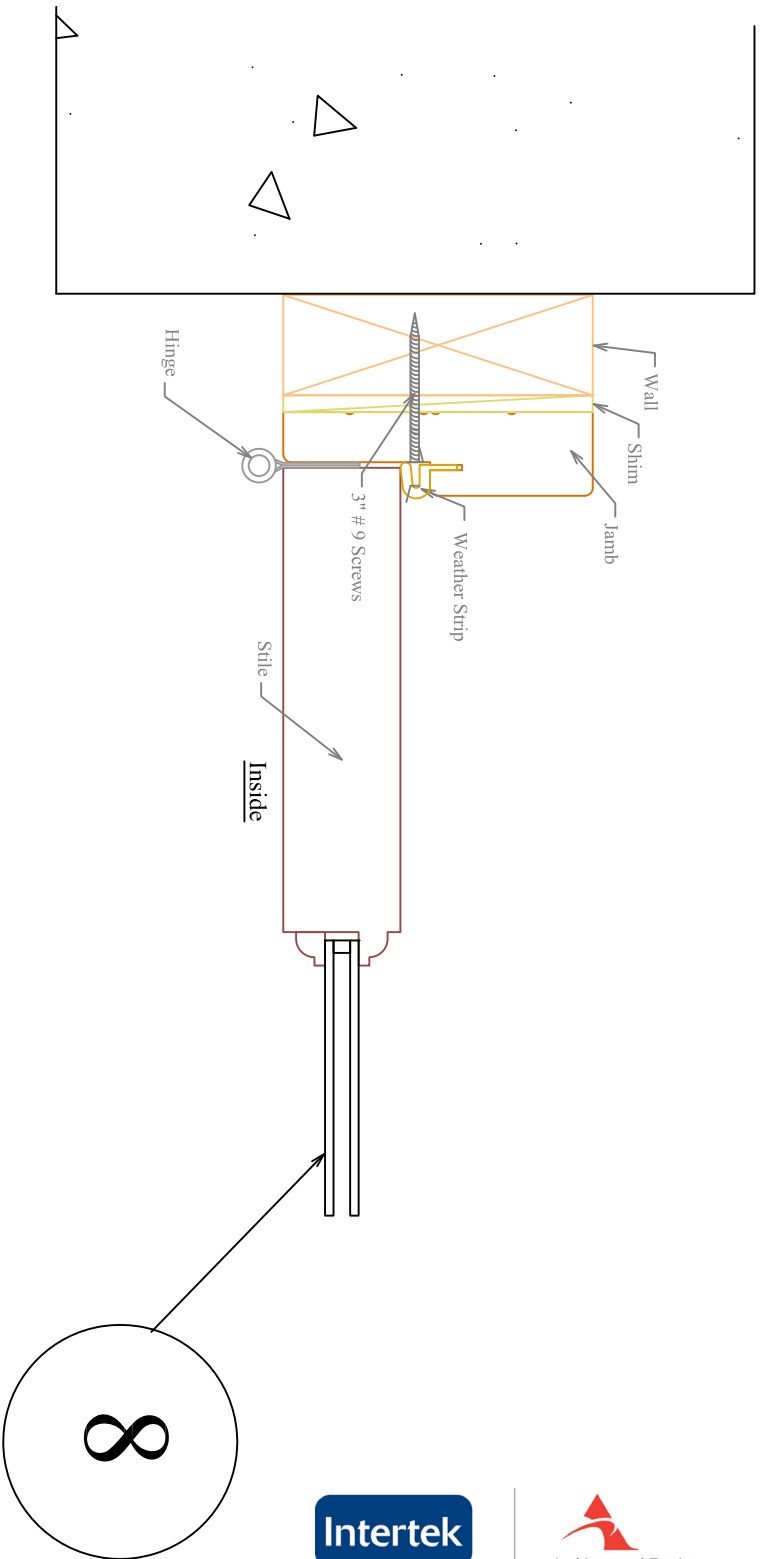
Glass*Craft
 Hardwood Glazed Double TDL Doors



Test sample complies with details shown herein. Any deviations are noted in the test report drawings.

Report#: H4307.01-801-44

Date: 10/30/17 By: CB



©

Glass

8

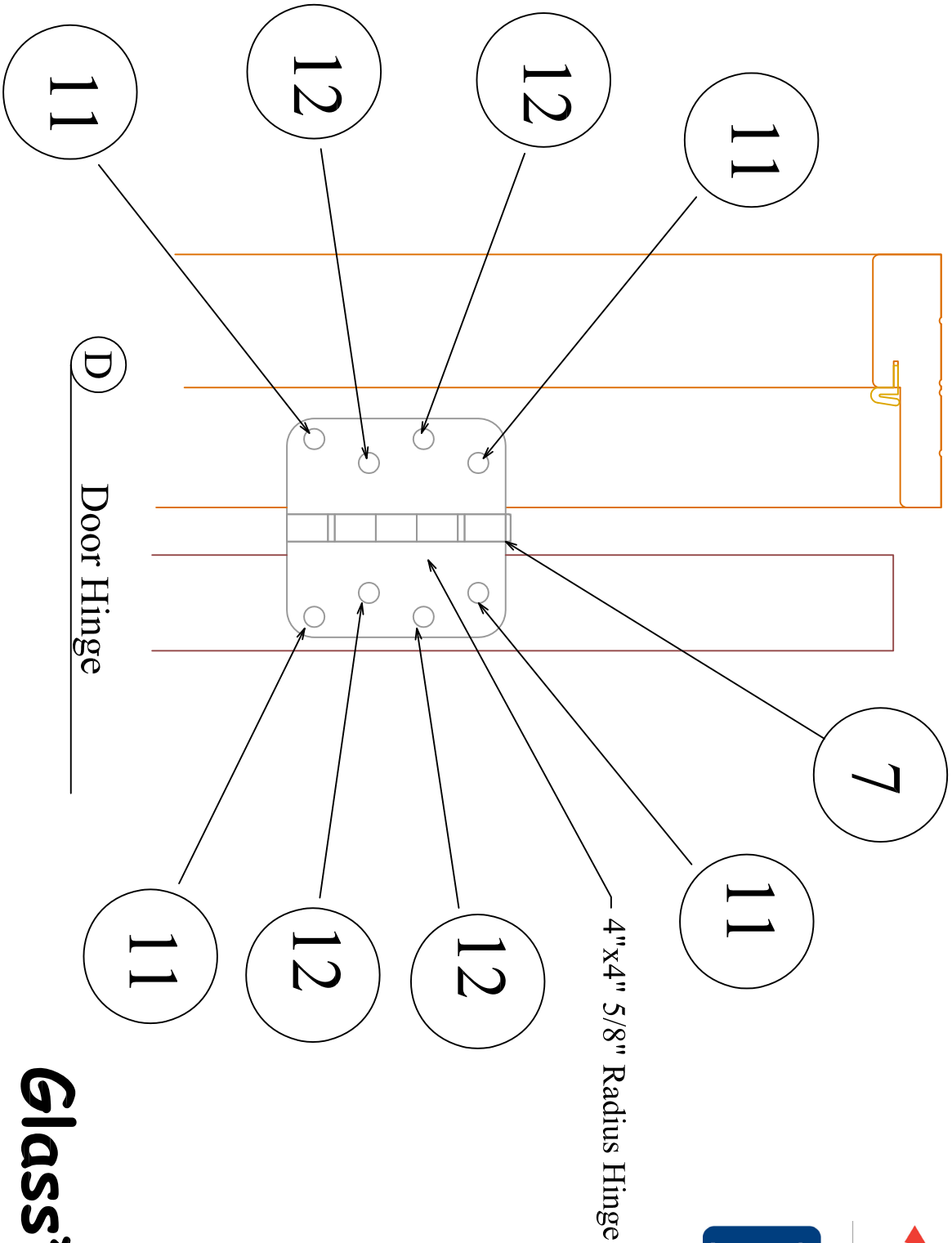
Glass*Craft
 Hardwood Glazed Double TDL Doors



Test sample complies with details shown herein. Any deviations are noted in the test report drawings.

Report#: H4307.01-801-44

Date: 10/30/17 By: CB



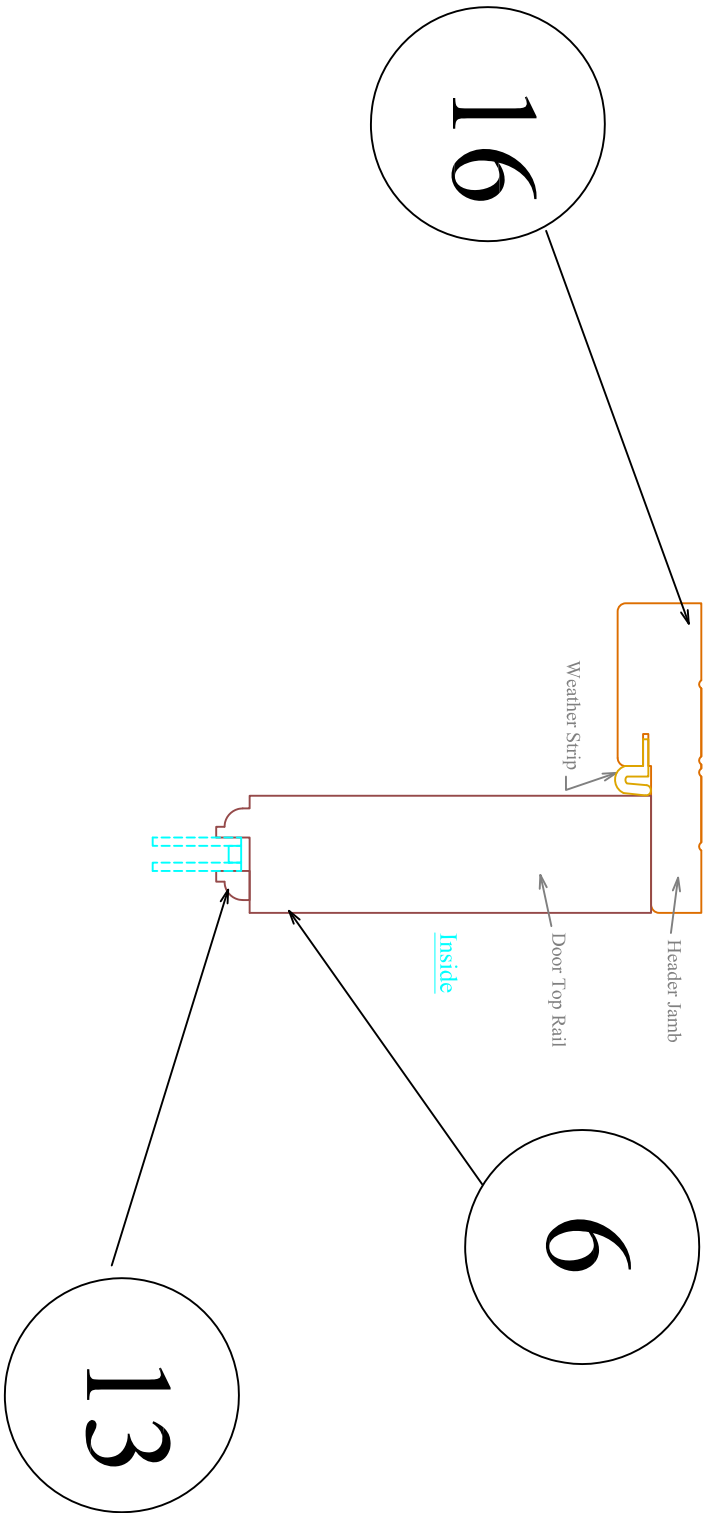
Glass*Craft
 Hardwood Glazed Double TDL Doors



Test sample complies with details shown herein. Any deviations are noted in the test report drawings.

Report#: H4307.01-801-44

Date: 10/30/17 By: CB



(E) Header

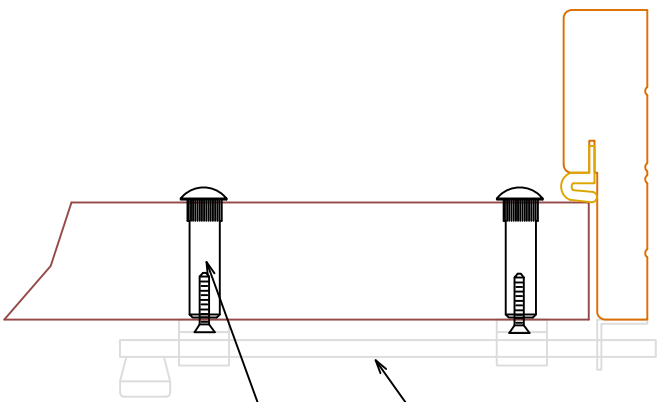
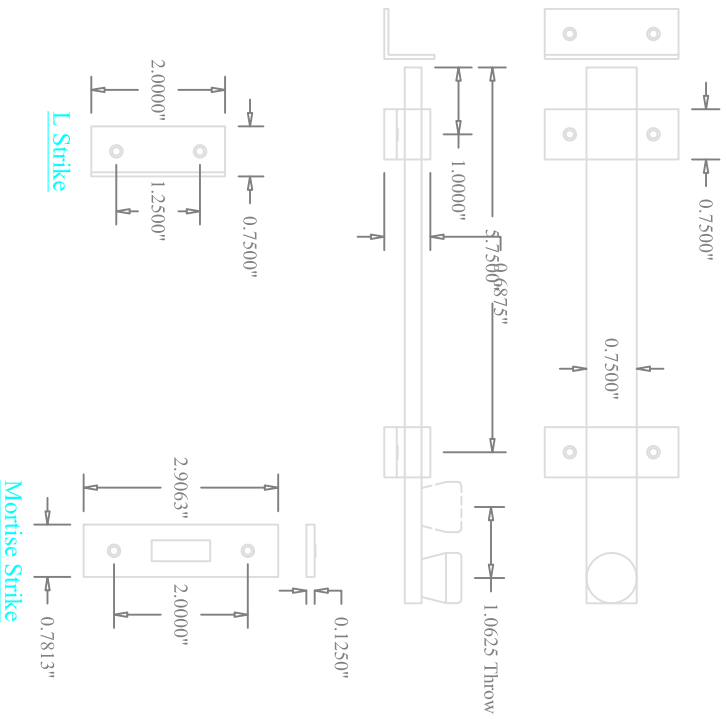
Glass*Craft
 Hardwood Glazed Double TDL Doors



Test sample complies with details shown herein. Any deviations are noted in the test report drawings.

Report#: H4307.01-801-44

Date: 10/30/17 By: CB



5

18

F

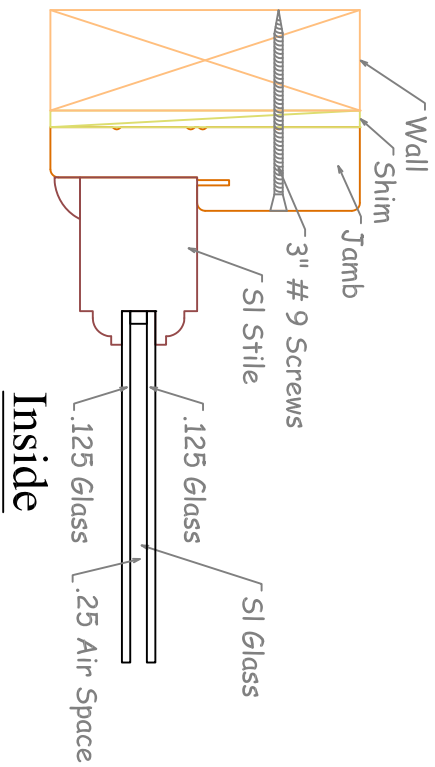
Surface Bolt



Test sample complies with details shown herein. Any deviations are noted in the test report drawings.
 Report#: H4307.01-801-44
 Date: 10/30/17 By: CB

Glass*Craft

Hardwood Glazed Double TDL Doors



L Sidelite

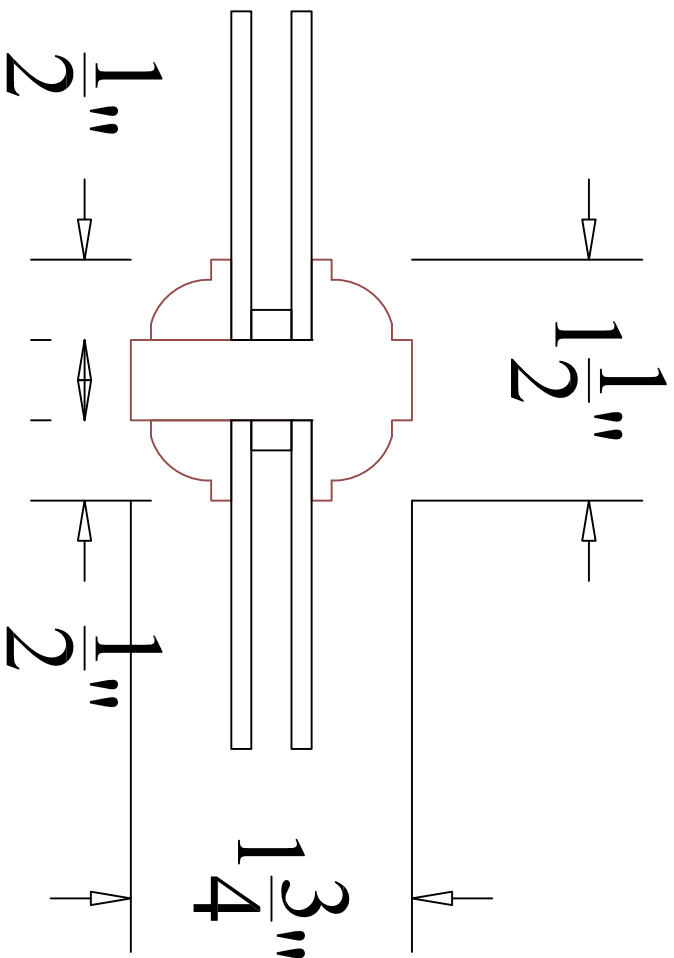
Glass*Craft
 Hardwood Glazed Double TDL Doors



Test sample complies with details shown herein. Any deviations are noted in the test report drawings.

Report#: H4307.01-801-44

Date: 10/30/17 By: CB



H

Muntin

Glass*Craft

Hardwood Glazed Double TDL Doors



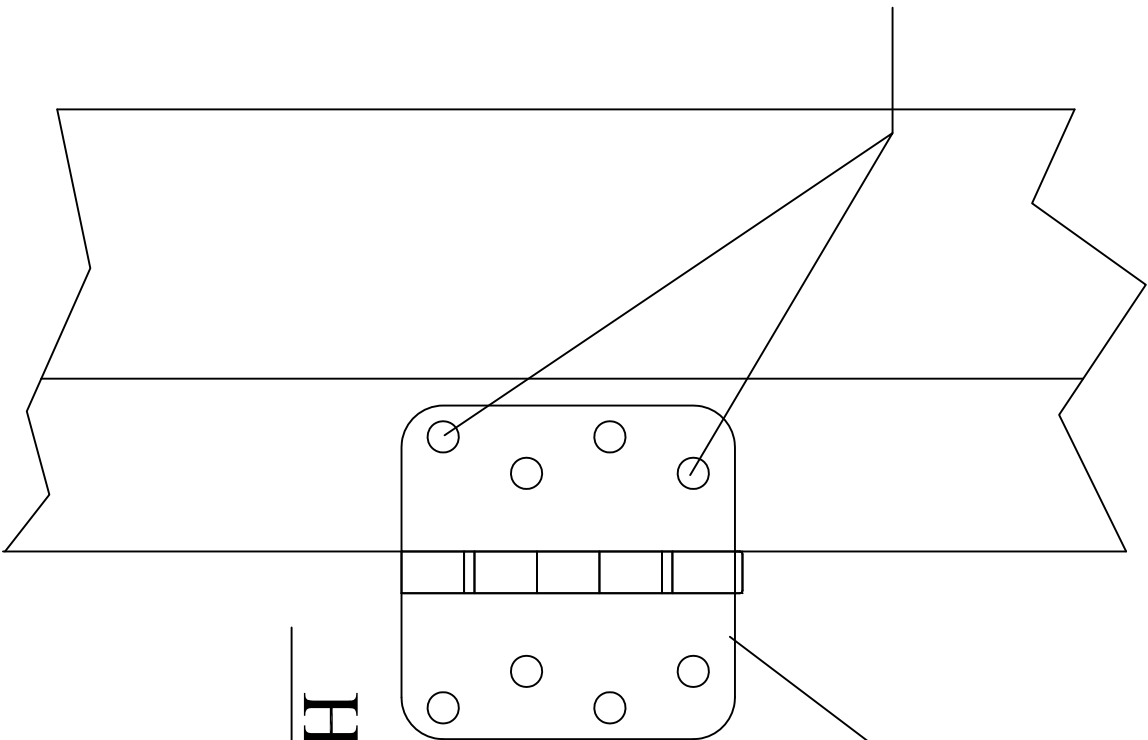
Test sample complies with details shown herein. Any deviations are noted in the test report drawings.

Report#: H4307.01-801-44

Date: 10/30/17 By: CB

4"x4" 5/8" Radius Hinge

Install (2) 3" #8 Wood
Screws Per Henge.



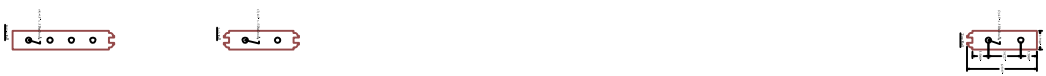
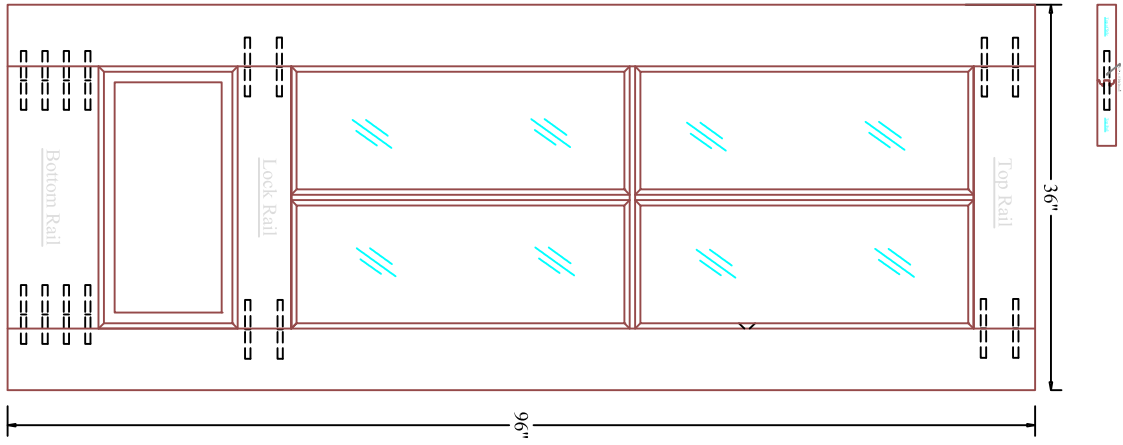
Hinge Detail



Test sample complies with details shown herein. Any deviations are noted in the test report drawings.

Report#: H4307.01-801-44

Date: 10/30/17 By: CB

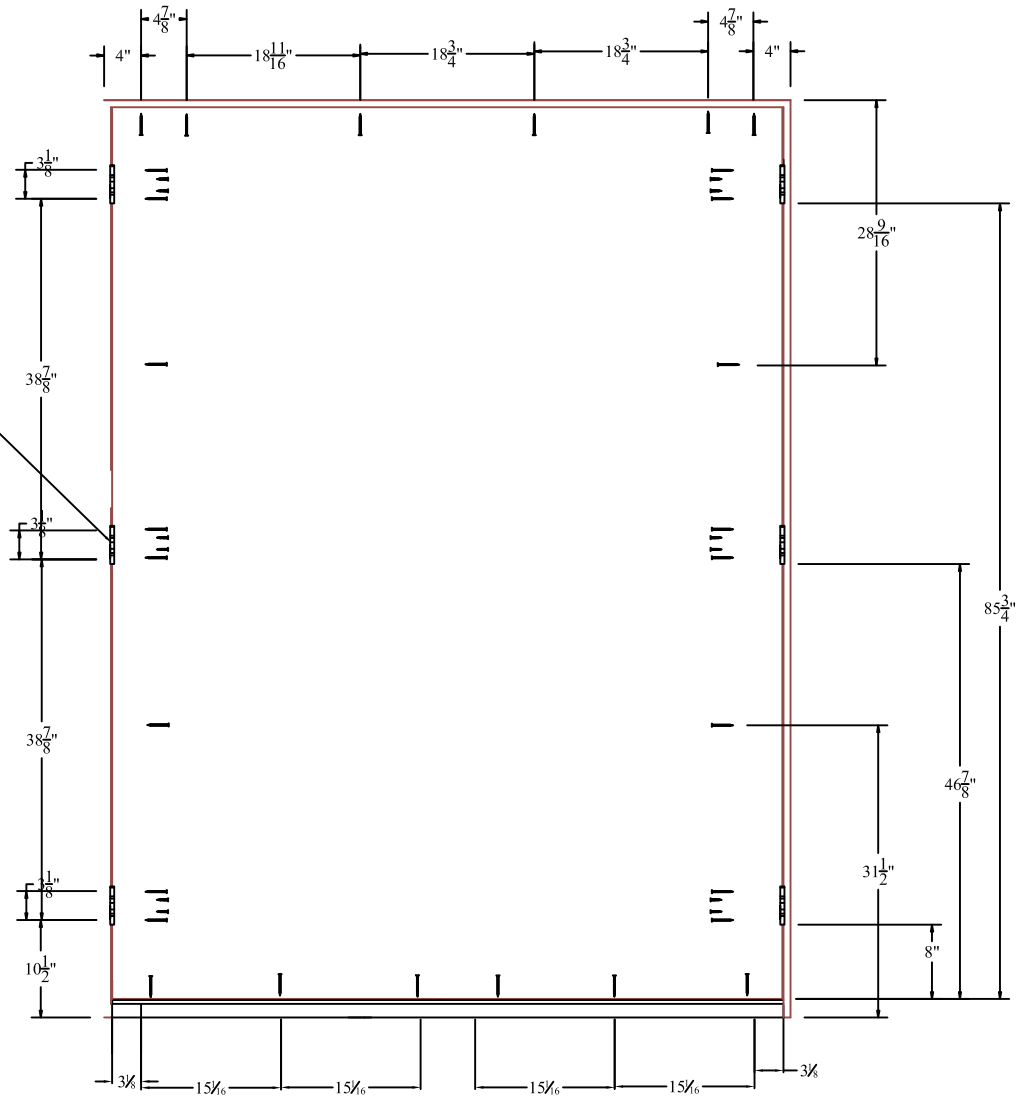


Test sample complies with details shown herein. Any deviations are noted in the test report drawings.

Report#: H4307.01-801-44

Date: 10/30/17 By: CB

See Hinge Detail



ANCHORING DIMENSION

Intertek



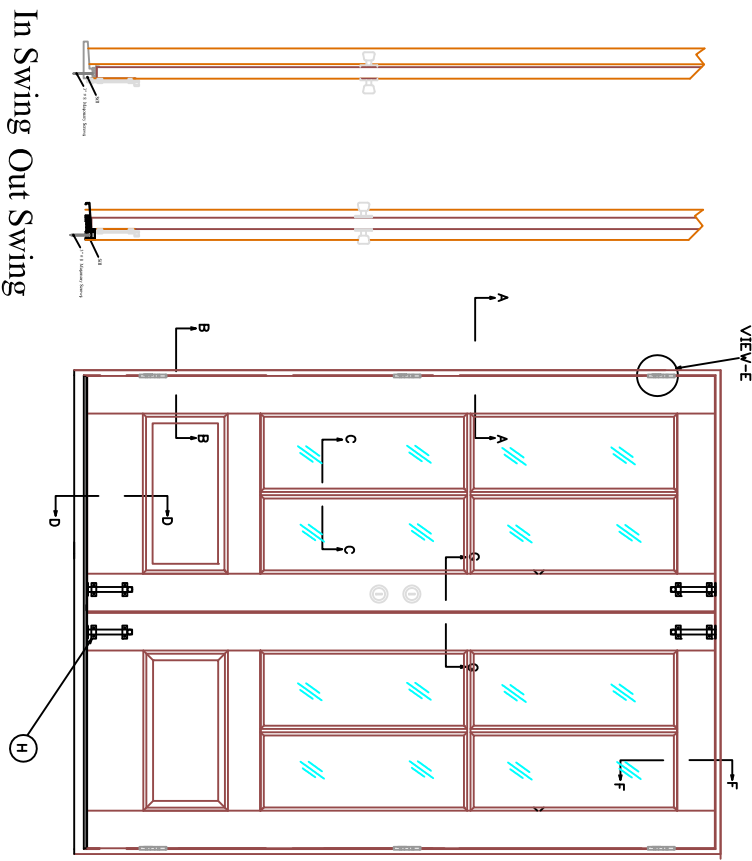
Test sample complies with details shown herein. Any deviations are noted in the test report drawings.

Report#: H4307.01-801-44

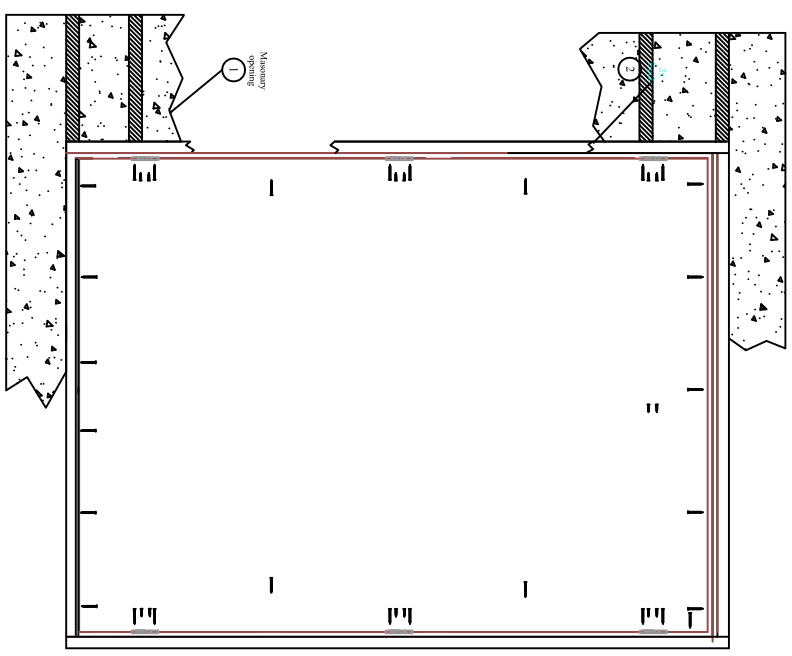
Date: 10/30/17 By: CB

Glass*Craft

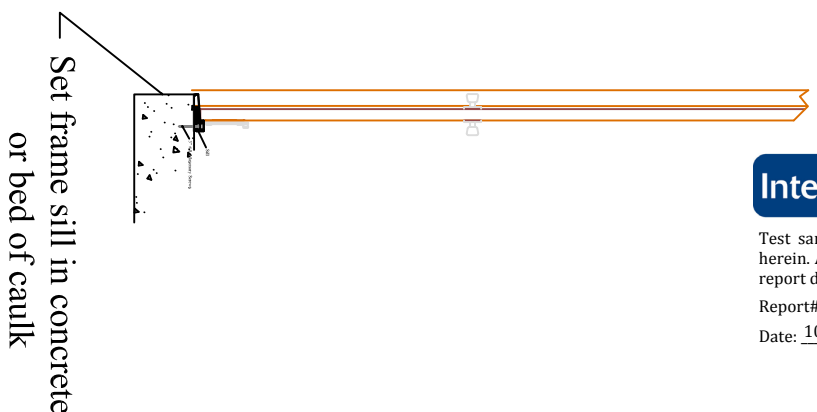
Hardwood Double Glazed TDL Doors



ELEVATION



ANCHORING LAYOUT

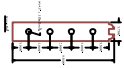
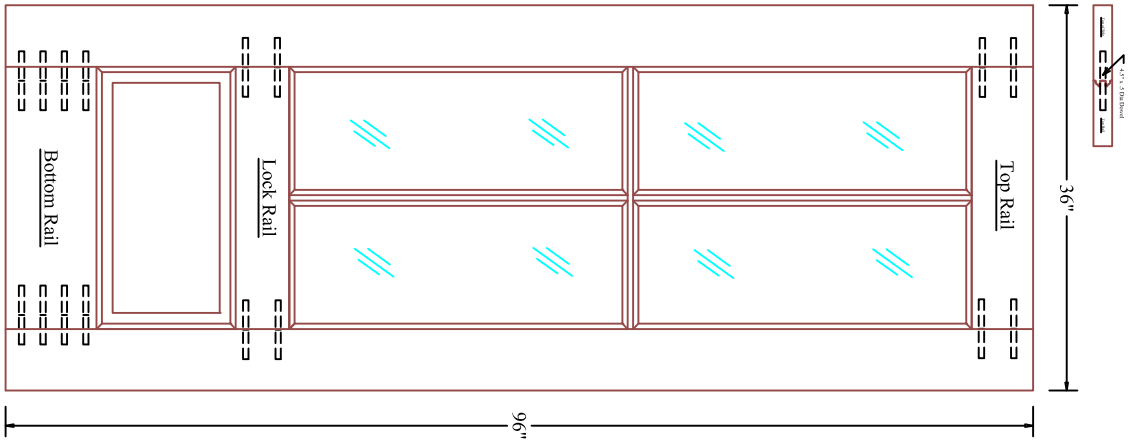


Inside View / In Swing

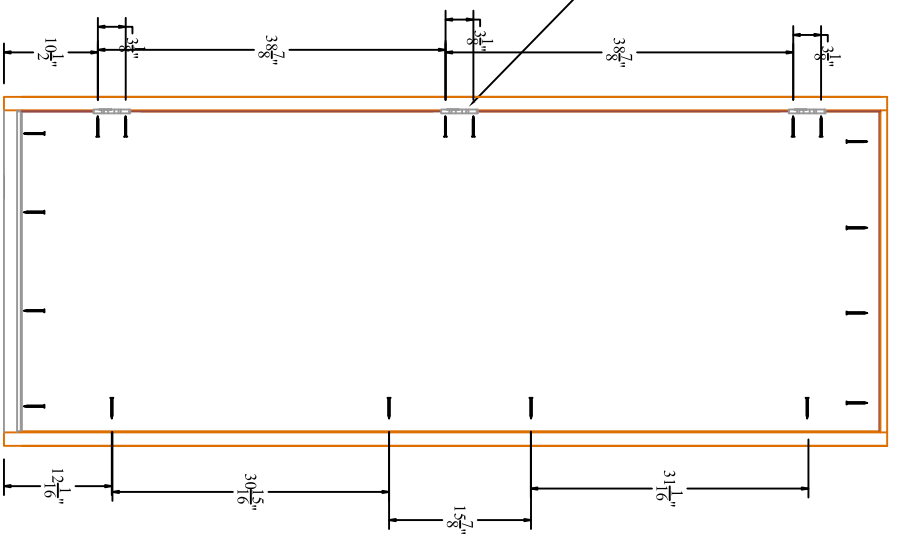
Glass*Craft
 Hardwood Double Glazed TDL Doors



Test sample complies with details shown herein. Any deviations are noted in the test report drawings.
 Report#: H4307.01-801-44
 Date: 10/30/17 By: CB

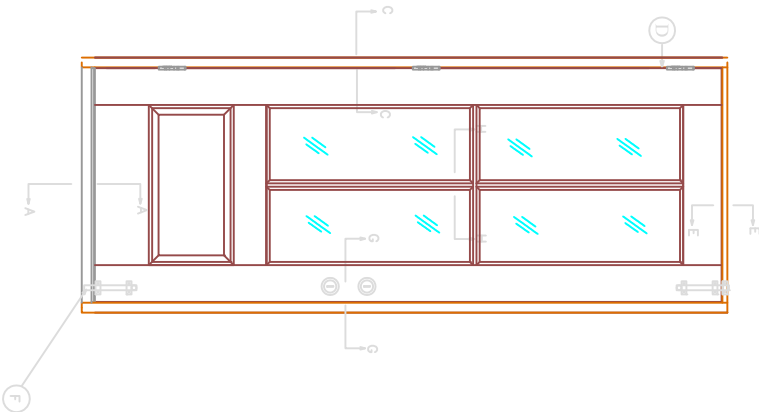


See Hinge Detail

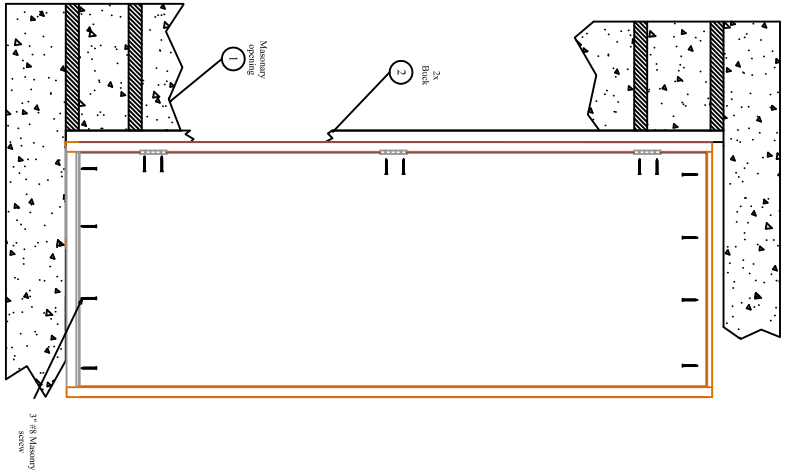


ANCHORING LOCATION

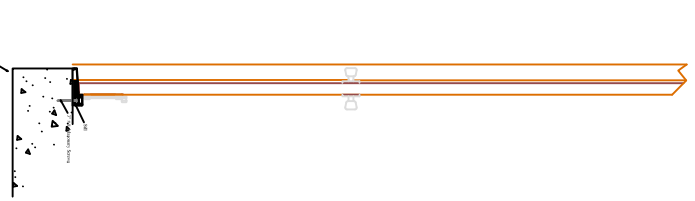
Glass*Craft
Hardwood Glazed Double TDL Doors



ELEVATION



ANCHORING LAYOUT



Set frame sill in concrete
 or bed of caulk
Glass*Craft
 Hardwood Glazed Double-TDL Doors

Inside View / Out swings



Test sample complies with details shown herein. Any deviations are noted in the test report drawings.
 Report#: H4307.01-801-44
 Date: 10/30/17 By: CB