

**TEST REPORT**

**Report No.:** D2058.01-801-44

**Rendered to:**

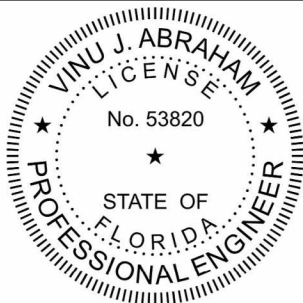
GLASSCRAFT DOOR COMPANY  
Houston, Texas

**PRODUCT TYPE:** Inswing and Outswing 8'0" Single Wood Door with Speak Easy


**SERIES/MODEL:** 8'0" Single Wood Door with Speak Easy

In-Swing (Specimen #1) Out-Swing (Specimen #2)

Title	Summary of Results	
	Test Specimen #1	Test Specimen #2
Design Pressure	±1920 Pa (±40.10 psf)	±1920 Pa (±40.10 psf)
Uniform Load Structural Test Pressure	±2880 Pa (±60.15 psf)	±2880 Pa (±60.15 psf)



Texas Firm F-11869



Digitally Signed by: Vinu Abraham



Digitally Signed by: John H. Waskow

2013.12.31 09:57:02 -05'00'

2013.12.31 08:40:47 -06'00'

Reference must be made to Report No. D2025.01-801-44, dated 10/31/13 for complete test specimen description and detailed test results.

**1.0 Report Issued To:** Glasscraft Door Company  
2002 Brittmoore Street  
Houston, Texas 77043

**2.0 Test Laboratory:** Architectural Testing, Inc.  
2865 Market Loop  
Southlake, Texas 76092  
(817) 410-7202

### 3.0 Project Summary:

**3.1 Product Type:** In-Swing and Out-Swing 8'0" Wood Door with Speak Easy

**3.2 Series/Model:** 8'0" Wood Door with Speak Easy (Inswing is specimen #1, Outswing is specimen #2)

**3.3 Compliance Statement:** Results obtained are tested values and were secured by using the designated test method(s). Test specimen description and results are reported herein.

**3.4 Test Dates:** 10/14/2013 - 10/15/2013

**3.5 Test Record Retention End Date:** All test records for this report will be retained until October 31, 2017.

**3.6 Test Location:** Architectural Testing, Inc. test facility in Southlake, Texas. Calibration of test equipment was performed by Architectural Testing in accordance with AAMA 205-01 "In-Plant Testing Guidelines for Manufacturers and Independent Laboratories".

**3.7 Test Sample Source:** The test specimens were provided by the client. Representative samples of the test specimens will be retained by Architectural Testing for a minimum of four years from the test completion date.

**3.8 Drawing Reference:** The test specimen drawings have been reviewed by Architectural Testing and are representative of the test specimen(s) reported herein. Test specimen construction was verified by Architectural Testing per the drawings located in Appendix A. Any deviations are documented herein or on the drawings.

### 3.9 List of Official Observers:

<u>Name</u>	<u>Company</u>
Gene Denley	GlassCraft Door Company
Allen Kipp	Architectural Testing, Inc.

#### 4.0 Test Method(s):

ASTM E 330-02, *Test Method for Structural Performance of Exterior Windows, Curtain Walls and Doors by Uniform Static Air Pressure Difference.*

#### 5.0 Test Specimen Description:

##### 5.1 Product Sizes:

##### Test Specimens #1 and #2:

Overall Area: 2.7 m <sup>2</sup> (29.3 ft <sup>2</sup> )	Width		Height	
	millimeters	inches	millimeters	inches
Overall size	1105	43-1/2	2467	97-1/8
Leaf	1060	41-3/4	2425	95-1/2

*The following descriptions apply to all specimens.*

##### 5.2 Frame Construction:

Frame Member	Material	Description
Head and jambs	Wood	1-1/4" x 4-5/8" cross section
Threshold	Aluminum-clad vinyl composite with extruded vinyl trim	6" wide with slope towards exterior.

	Joinery Type	Detail
All corners	Screwed partial rabbet	Secured with four #9 x 3" wood screws

Wood species tested is mahogany as indicated by Glasscraft.

##### 5.3 Weatherstripping:

Description	Quantity	Location
U-shaped foam-filled vinyl gasket with kerf insert	1 Row	Shoulder of the jambs and header
Five fin rubber door sweep	1 Row	Threshold face of leaf

## 5.0 Test Specimen Description: (Continued)

**5.4 Glazing:** *No conclusions of any kind regarding the adequacy or inadequacy of the glass in any glazed test specimen(s) can be made.*

Glass Type	Spacer Type	Interior Lite	Exterior Lite	Glazing Method
3/4" IG	1/2" Aluminum box	1/8" Tempered	1/8" Tempered	Exterior wet glazed

Location	Quantity	Daylight Opening		Glass Bite
		millimeters	inches	
Leaf	1	152 x 292	6 x 11-1/2	1/2"

**5.5 Drainage:** Sloped threshold was utilized.

### 5.6 Hardware:

Description	Quantity	Location
Door hinge	4	12" and 28" from bottom; 9" and 34-1/2" from top; attached with two #9 x 3" and two #9 x 1" wood screws
3 point lock set	1	Inserted into lock stile of operable leaf, secured with nine #8 x 3" wood screws at 7-3/8", 14-1/4", 17-9/16", 26-5/16", 45-13/16", 55-13/16", 62-3/16", 65-7/16" and 72-3/4" from bottom
Strike plate	4	On lock jamb in line with 3 point lock and dead bolt; secured with two #9 x 3" wood screws each
Latch	1 per leaf	Centered on speak easy lock stile
Keeper	1 per leaf	In line with latch, on speak easy frame
Hinge	2 per leaf	3" from top and bottom of speak easy

**5.7 Reinforcement:** No reinforcement was utilized.

**5.8 Screen Construction:** No screen was utilized.

## 6.0 Installation:

The specimen was installed into a Spruce-Pine-Fir wood buck. The rough opening allowed for a 1/2" shim space.

<b>Location</b>	<b>Anchor Description</b>	<b>Anchor Location</b>
Jambs	#9 x 3" wood screws	12" from corners and center; through top and bottom mounting holes of hinges
Head and threshold	#9 x 3" wood screws	4" from corners, 12" on center thereafter

**7.0 Test Results:** The temperature during testing was 26.7°C (80°F). The results are tabulated as follows:

**Test Specimen #1: Inswing**

<b>Title of Test</b>	<b>Results</b>	<b>Allowed</b>	<b>Note</b>
<b>Uniform Load Deflection,</b> per ASTM E 330 taken at leaf lock edge +1920 Pa (+40.10 psf) -1920 Pa (-40.10 psf)	1.0 mm (0.04") 0.3 mm (0.01")	Report Only	1, 2
<b>Uniform Load Structural,</b> per ASTM E 330 taken at leaf lock edge +2880 Pa (+60.15 psf) -2880 Pa (-60.15 psf)	0.5 mm (0.02") 0.5 mm (0.02")	9 mm (0.37") max. 9 mm (0.37") max.	1, 2

**Test Specimen #2: Outswing**

<b>Title of Test</b>	<b>Results</b>	<b>Allowed</b>	<b>Note</b>
<b>Uniform Load Deflection,</b> per ASTM E 330 taken at leaf lock edge +1920 Pa (+40.10 psf) -1920 Pa (-40.10 psf)	0.5 mm (0.02") 0.3 mm (0.01")	Report Only	1, 2
<b>Uniform Load Structural,</b> per ASTM E 330 taken at leaf lock edge +2880 Pa (+60.15 psf) -2880 Pa (-60.15 psf)	1.8 mm (0.07") 0.5 mm (0.02")	9 mm (0.37") max. 9 mm (0.37") max.	1, 2

## 7.0 Test Results: (Continued)

**General Note:** All testing was performed in accordance with the referenced standard(s).

*Note 1: Loads were held for 10 seconds.*

*Note 2: Tape and film were used to seal against air leakage during structural testing. In our opinion, the tape and film did not influence the results of the test.*

Architectural Testing will service this report for the entire test record retention period. Test records that are retained such as detailed drawings, datasheets, representative samples of test specimens, or other pertinent project documentation will be retained by Architectural Testing, Inc. for the entire test record retention period.

This report does not constitute certification of this product nor an opinion or endorsement by this laboratory. It is the exclusive property of the client so named herein and relates only to the specimen(s) tested. This report may not be reproduced, except in full, without the written approval of Architectural Testing, Inc.

For ARCHITECTURAL TESTING, Inc.



Digitally Signed by: Allen Kipp

---

Allen Kipp  
Technician



Digitally Signed by: John H. Waskow

---

John H. Waskow, P.E.  
Director – Regional Operations



Digitally Signed by: Vinu Abraham

---

Vinu J. Abraham, P.E.  
Vice President – Southeast Region

AK : hd

Attachments (pages): This report is complete only when all attachments listed are included.

Appendix-A: Drawings (30)

### Revision Log

<u>Rev. #</u>	<u>Date</u>	<u>Page(s)</u>	<u>Revision(s)</u>
1	11/18/13	Cover, 6	Added FL PE Seal and signature
2	12/30/13	Page 2, Section 5.2	Wood species tested is mahogany as indicated by Glasscraft.





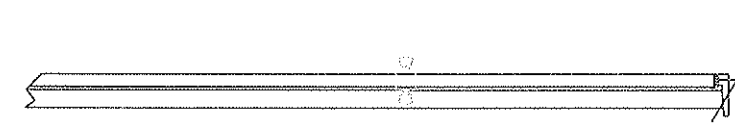
**Architectural Testing**

Test Report No.: D2058.01-801-44

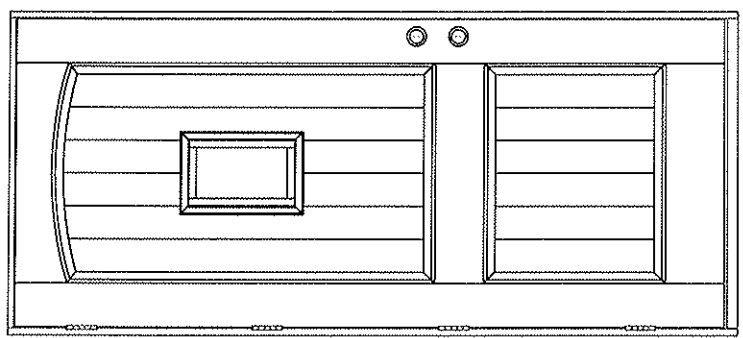
Report Date: 10/31/17

## **Appendix A**

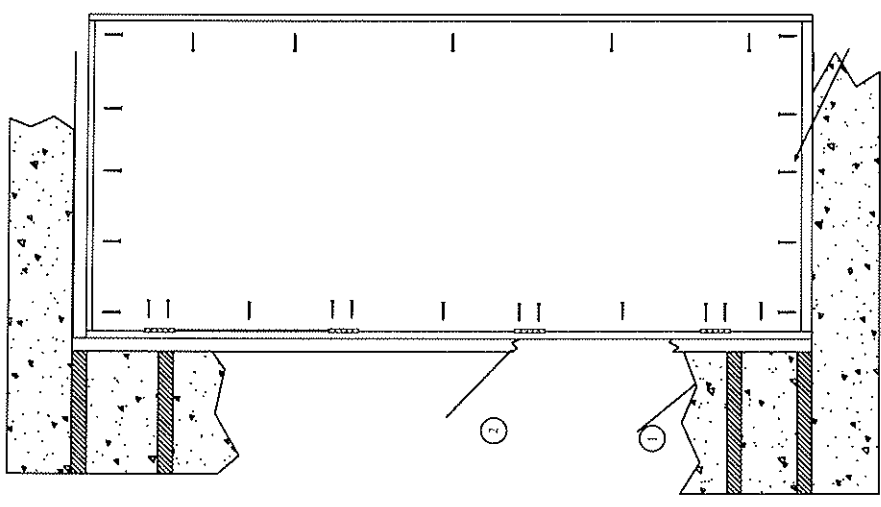
### **Drawings**



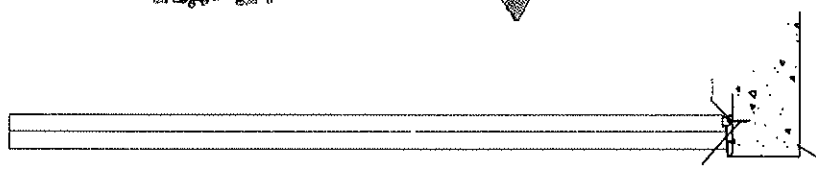
In Swing



ELEVATION



ANCHORING LAYOUT



Set frame sill in concrete or bed of caulk

Architectural Testing



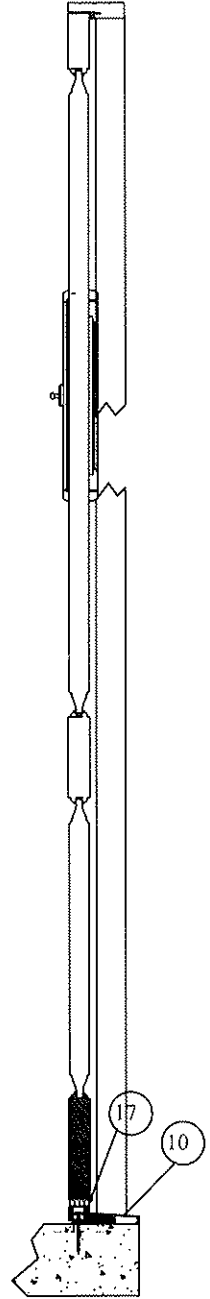
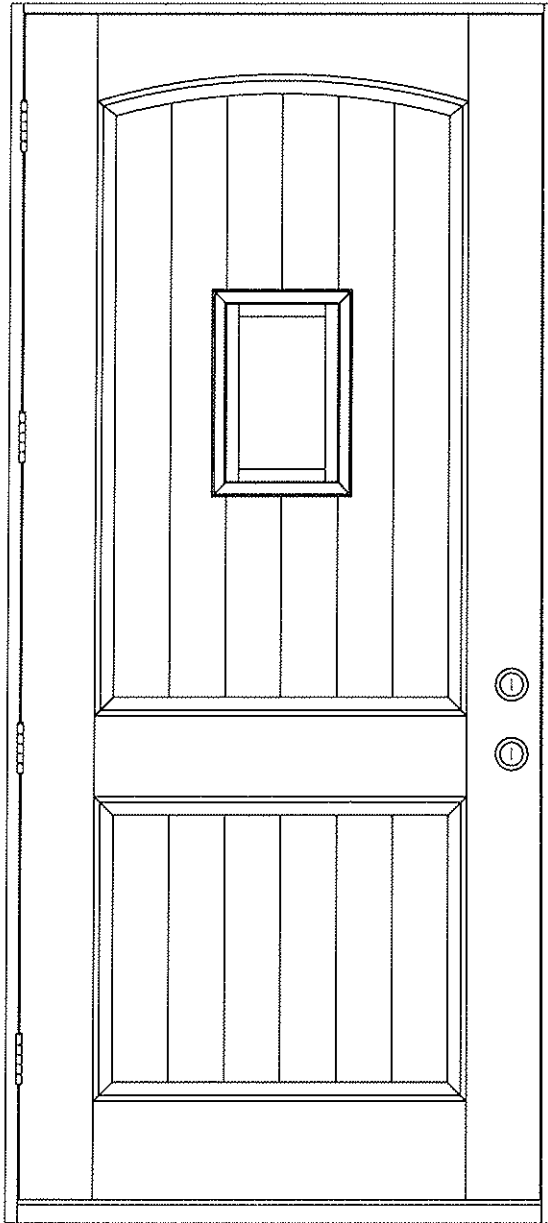
Test sample complies with these details.  
Deviations are noted.

Report# DA052.01-201-44  
Date 10/31/13  
Tech AK

# Inside View / In swing

**Glass\*Craft**

Single 42" Hardwood Door / Speakeasy Door



Section  
H-H



**Architectural Testing**

Test sample complies with these details.  
Deviations are noted.

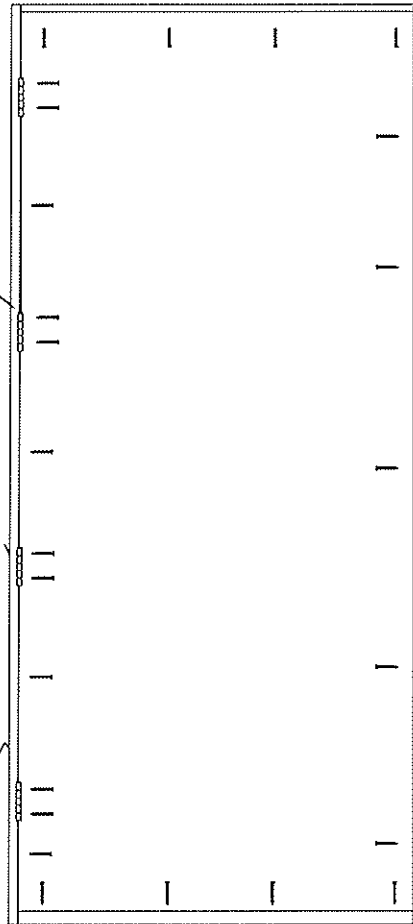
Report# D2052.01-201-44

Date 10/31/13 Tech AK

# Glass\*Craft

Single 42" Hardwood Door /  
Speakeasy Door

See Hinge Detail



**Architectural Testing**

Test sample complies with these details.  
Deviations are noted.

Report# D0058.01-201-44  
Date 10/31/13 Tech AP

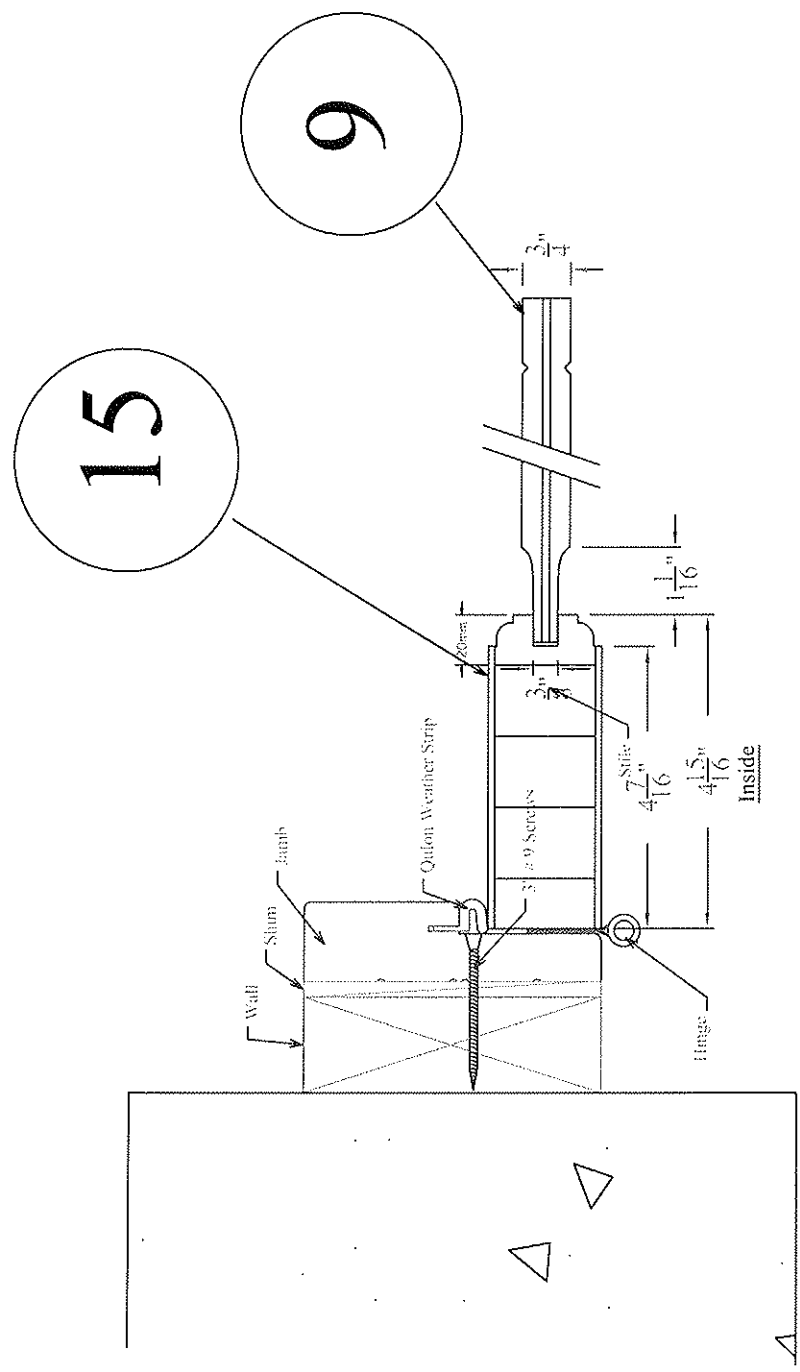
## ANCHORING LOCATION

# Glass\*Craft

Single 42" Hardwood Door / Speakeasy Door



Architectural Testing  
 Test sample complies with these details.  
 Deviations are noted.  
 Report: D2052.01-801-44  
 Date: 10/31/13  
 Tech: PK



# Glass\*Craft

## Single 42" Hardwood Door / Speakeasy Door

(B) \_\_\_\_\_ Panel



### Install Outside Housing

**NOTE:** Do not install adapter ring if using 1 1/8" (30 mm) hole.

- a. FOR F300/F302: Ensure pin is positioned to slide through correct bush in deadbolt.
- b. Insert housing through escutcheon and adapter ring and into door. Driver bar should slide under deadbolt.

### Instalación del alojamiento exterior

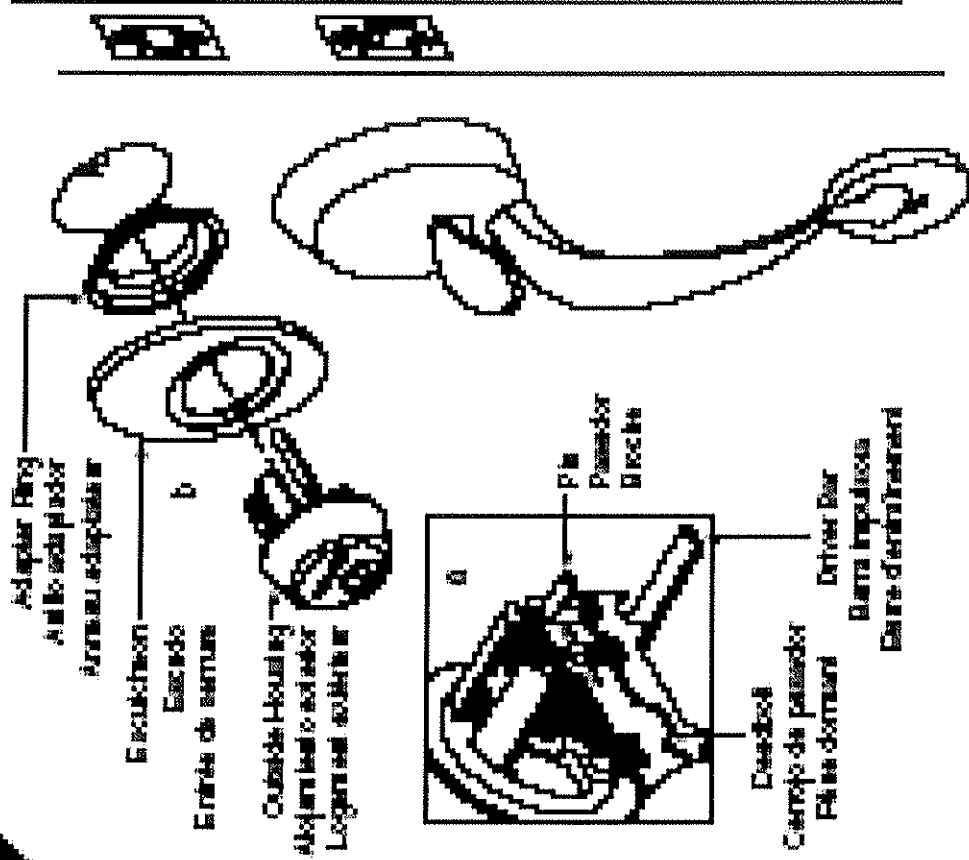
**NOTA:** Si se usa un agujero de 30 mm no se instala un anillo adaptador.

- a. RA, RA, LOS MODELOS F300/F302: Se debe verificar que el pasador está colocado de manera que se deslice a través de la ranura en el pasador que corresponde a la distancia correcta del borde de la puerta al centro de la boquilla.
- b. Introducir el alojamiento en la puerta, a través del escudo y del anillo adaptador. La barra impulsora debe deslizarse debajo del pasador.

### Installation du logement extérieur

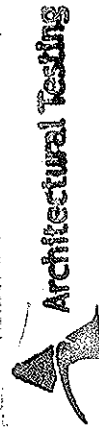
**REMARQUE:** Ne pas installer l'anneau adaptateur si le trou 30 mm est utilisé.

- a. POUR les modèles F300/F302: S'assurer que la broche est placée de sorte à glisser dans la fente d'écartement correcte du pare-choc.
- b. Insérer le logement par l'entree de serrure et l'anneau adaptateur si dans la porte. La barre d'entraînement doit glisser sous la pièce dormant.



# Glass\*Craft

Portobello / Estancia / TDL  
Hardwood Glazed Double Doors



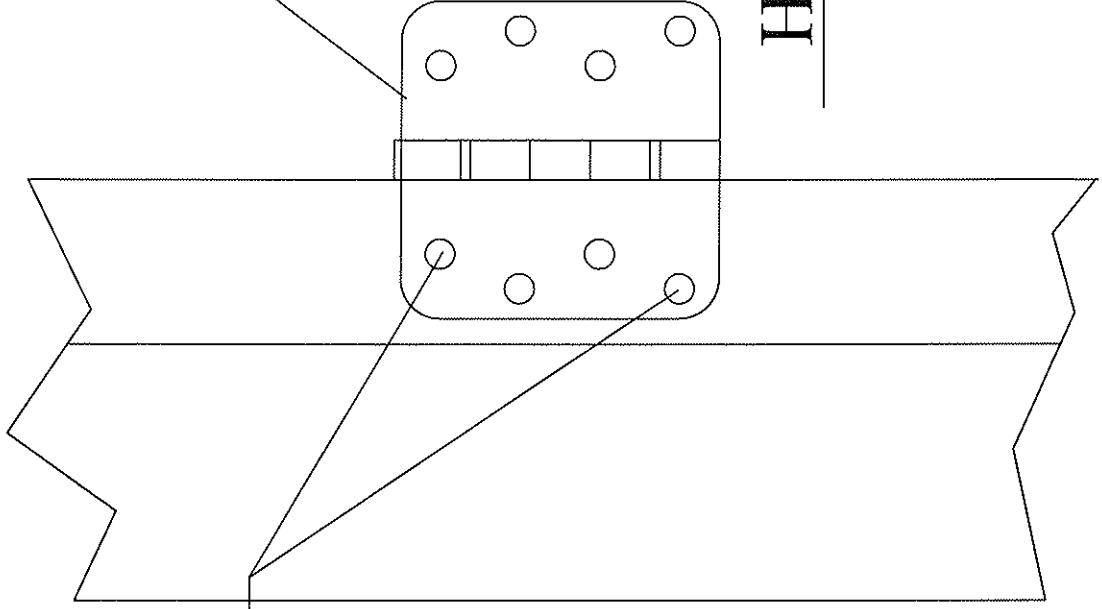
Test sample complies with these details.  
Deviations are noted.

Report # D2028 of 801-144  
Date 10/31/13 Tech DAE



# Penrond 4"x4" 5/8" Radius Hinge

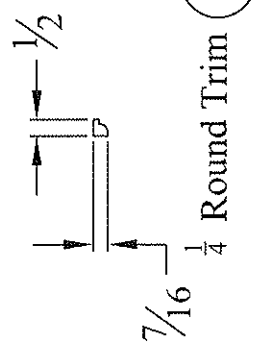
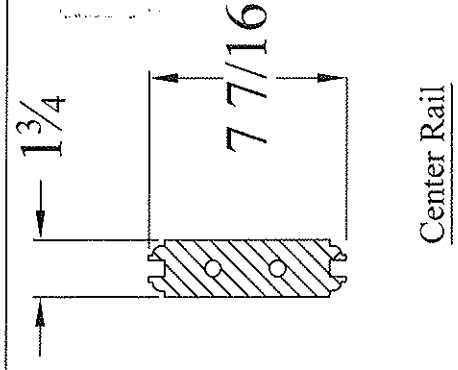
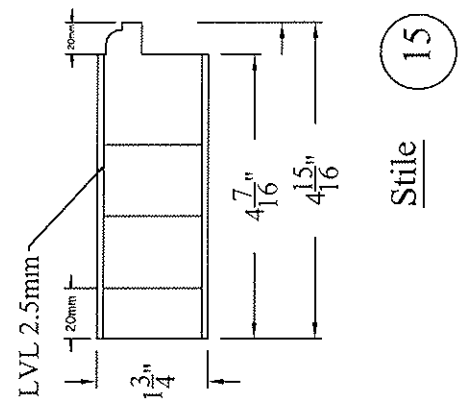
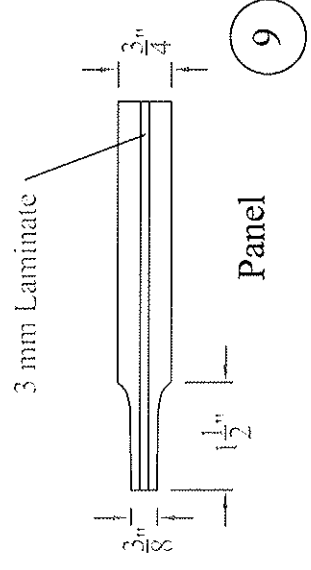
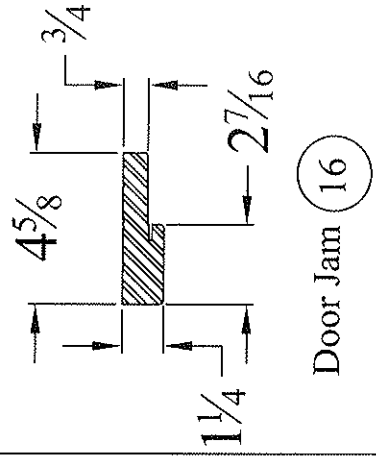
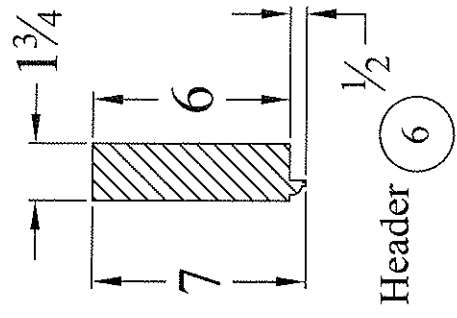
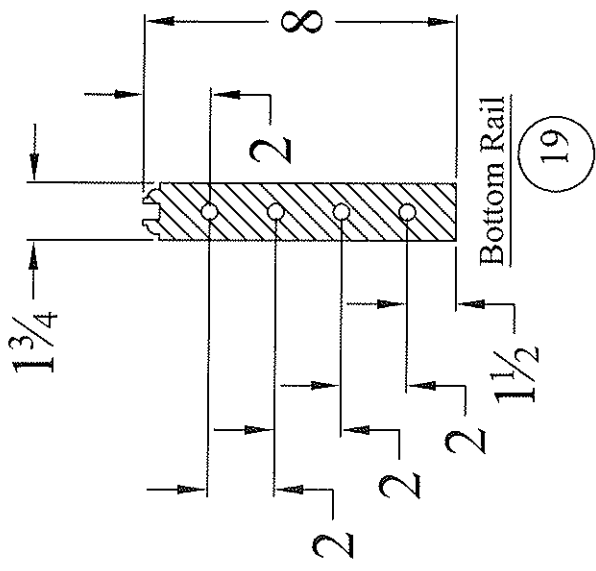
Install (2) 3" #8 Wood  
Screws Per Henge.



Architectural Testing  
Test sample complies with these details.  
Deviations are noted.  
Report# B2058.01-801-44  
Date: 10/31/13  
Tech: JAK

## Hinge Detail

Glass\*Craft



Test sample complies with these details.  
 Deviations are noted.  
 Report# D2058.01-201-44  
 Date: 10/31/13  
 Tech AK

Architectural Testing

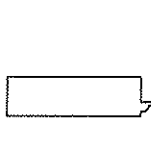
Glass\*Craft

## List of Material

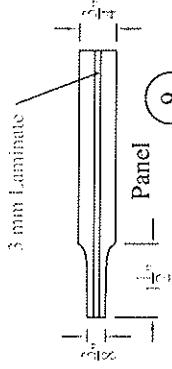
Item #	Description	Material
1	Masonry	CONC.
2	2x Buck	Wood
3	Imperial 3 point lock set	Metal
4	Top Header	Wood
5	Penrond 4"x4" 5/8" Radius Hinge	Metal
6	Panel	Wood
7	Endura Sill ZAIL 5866 / I/S	Alum.
8	3" #9 Wood screw	Metal
9	#9x1" PFH Wood Screw	Metal
10	1/4 Round Trim	Wood
11	Stile	Wood
12	Door Jam	Wood
13	Bottom Door sweep	Rubber
14	Bottom Rail	Wood
15	Bottom Rail	Wood
15	weather strip	Foam
17	Endura Sill ZAIL 5866 / O/S	Alum.



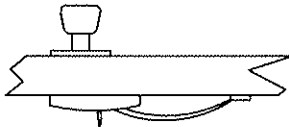
Stile (15)



Header (6)



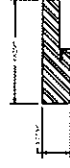
Panel (9)



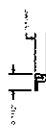
Imperial 3 point set (3)



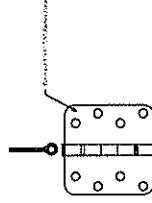
Endura Sill  
ZAIL 5866 / I/S (7)



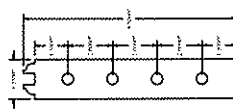
Door Jam (16)



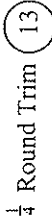
weather strip (15)



Penrond 4"x4" 5/8" Radius Hinge (7)

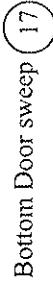


Bottom Rail (19)



1/4 Round Trim (13)

Architectural Testing  
 Test sample complies with these details.  
 Deviations are noted.  
 Report# D2058.01-201-44  
 Date: 10/31/13  
 Tech: ARK



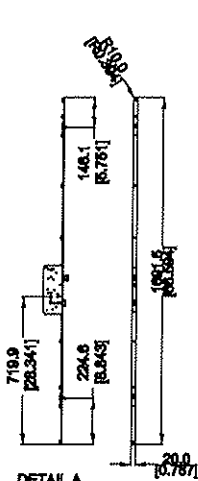
Bottom Door sweep (17)

**Glass\*Craft**  
 Single 42" Hardwood Door /  
 Speakeasy Door

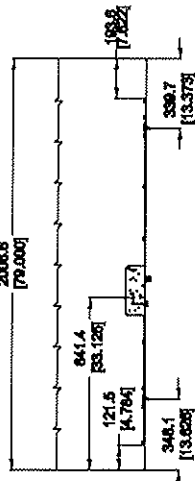
IS PRINT IS THE EXCLUSIVE PROPERTY OF IMPERIAL. IT CONTAINS PROPRIETARY DATA AND INFORMATION DEVELOPED BY IMPERIAL. ANY REPRODUCTION OR FURTHER DISSEMINATION OF THIS DRAWING WITHOUT THE WRITTEN CONSENT OF IMPERIAL IS STRICTLY PROHIBITED.

DO NOT SCALE DRAWING

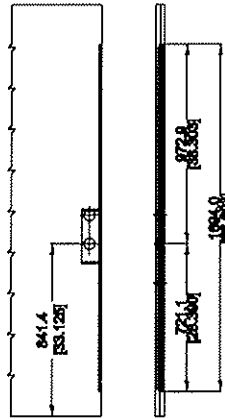
REV	DESCRIPTIONS	REV BY	DATE
A	INITIAL ISSUE	WHITE	02/04/09



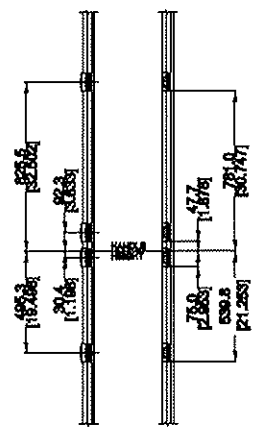
DETAIL A  
6-8 TONGUE  
MULTIPORT LOCK



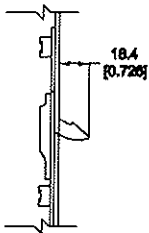
DETAIL B  
6-8 LOCK  
SIMULATION



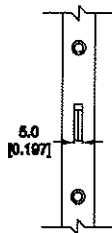
DETAIL C  
6-8 LOCK DOOR  
PANEL PREP



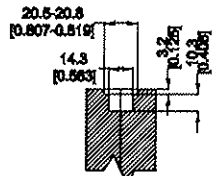
DETAIL D  
ADJUSTABLE STRIKE DETAIL



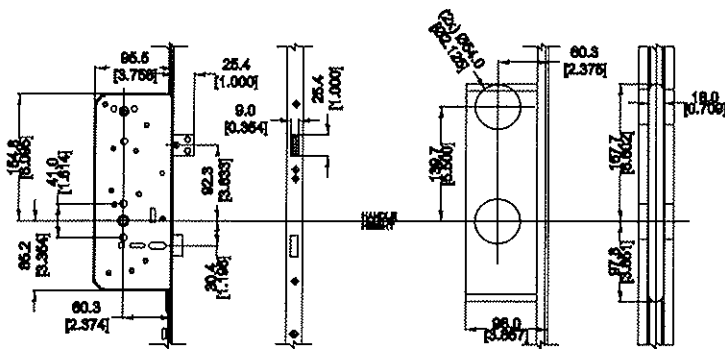
DETAIL E  
TONGUE DETAIL



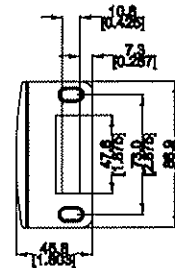
DETAIL F  
EUROGROOVE DETAIL



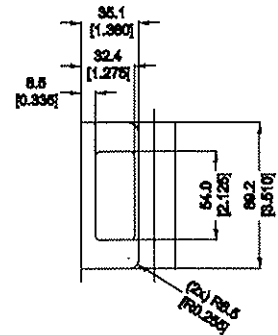
DETAIL G  
CENTER CASING DETAIL



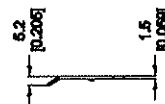
DETAIL H  
CENTER CASING MORTISE DETAIL



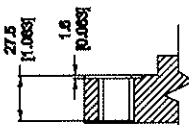
DETAIL I  
ADJUSTABLE  
STRIKE DETAIL



DETAIL J  
ADJUSTABLE  
STRIKE ROUTE



DETAIL K  
ADJUSTABLE  
STRIKE DETAIL



DETAIL L  
ADJUSTABLE  
STRIKE DETAIL



Architectural Testing

Test sample complies with these details.  
Deviations are noted.

Report# D2059-01-001-44  
Date 10/31/13 Tech AK

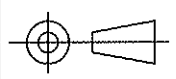
DRAWING No. -  
**MPT-68-2P375**

REV. SHEET  
**A 1/1**

DESCRIPTION -  
**6' 8" TONGUE MULTIPORT LOCK DETAIL  
(2-3/8" BACKSET)**

CAD INFO -  
**PROJECTS/MP/TONGUE**

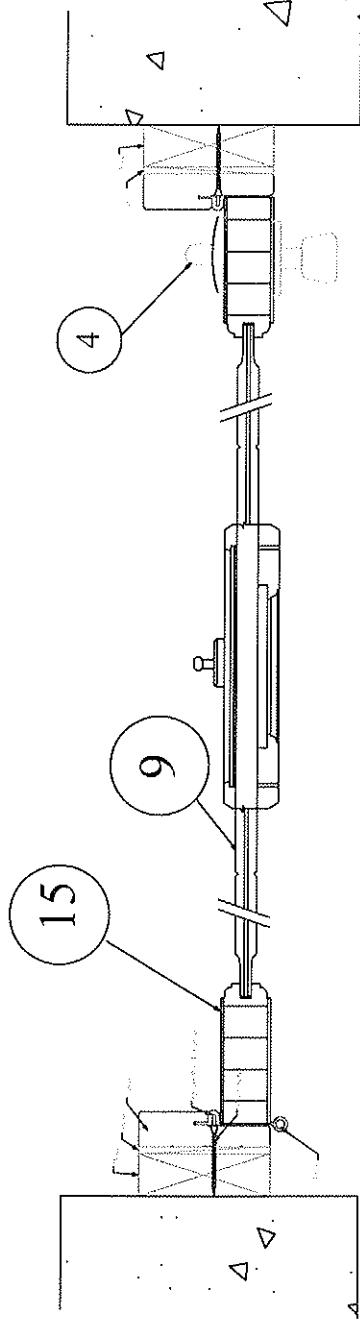
DRAWN - **C. WHITE**  
DATE - **02/04/09**



SCALE -

**IMPERIAL USA Ltd.**

Exterior



Interior

## Horizontal Cross Section

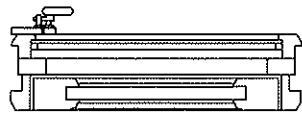
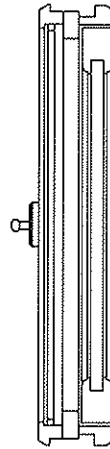
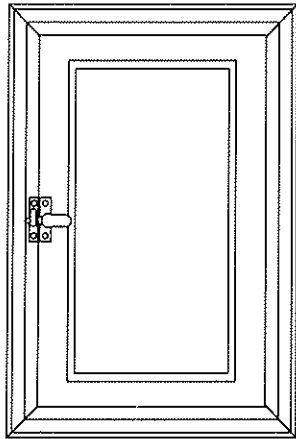
# Glass\*Craft

## Single 42" Hardwood Door / Speakeasy Door

Test sample complies with these details.  
Deviations are noted.

Architectural Testing

Report# D9058.01-801-44  
Date 10/3/13  
Tech AK



Speakeasy

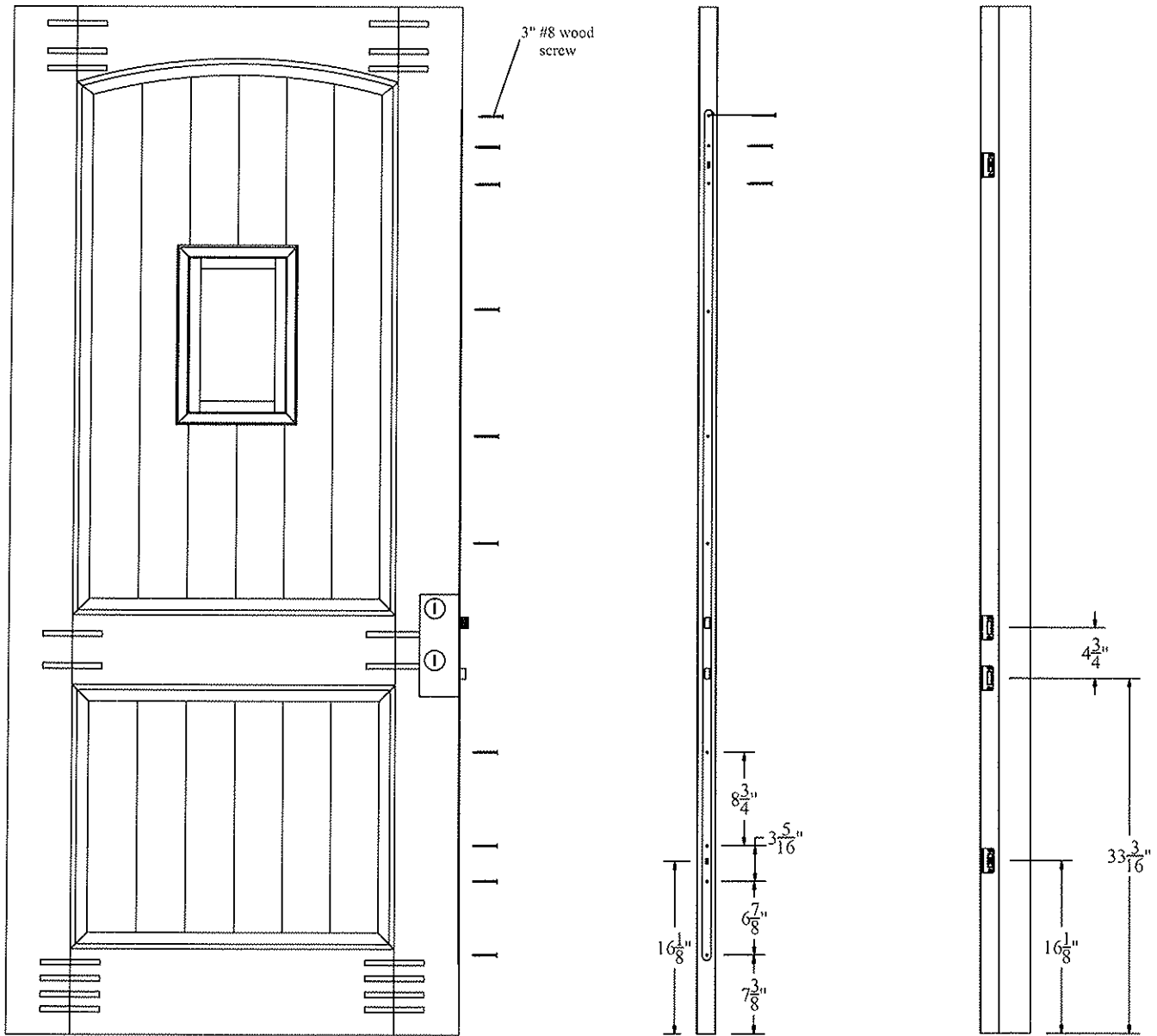


Architectural Testing

Test sample complies with these details.  
Deviations are noted.

Report# D2052.01-201-44  
Date 10/31/13 Tech AK

**Glass\*Craft**



## Three point lock set screw location and strike plate

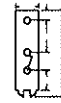
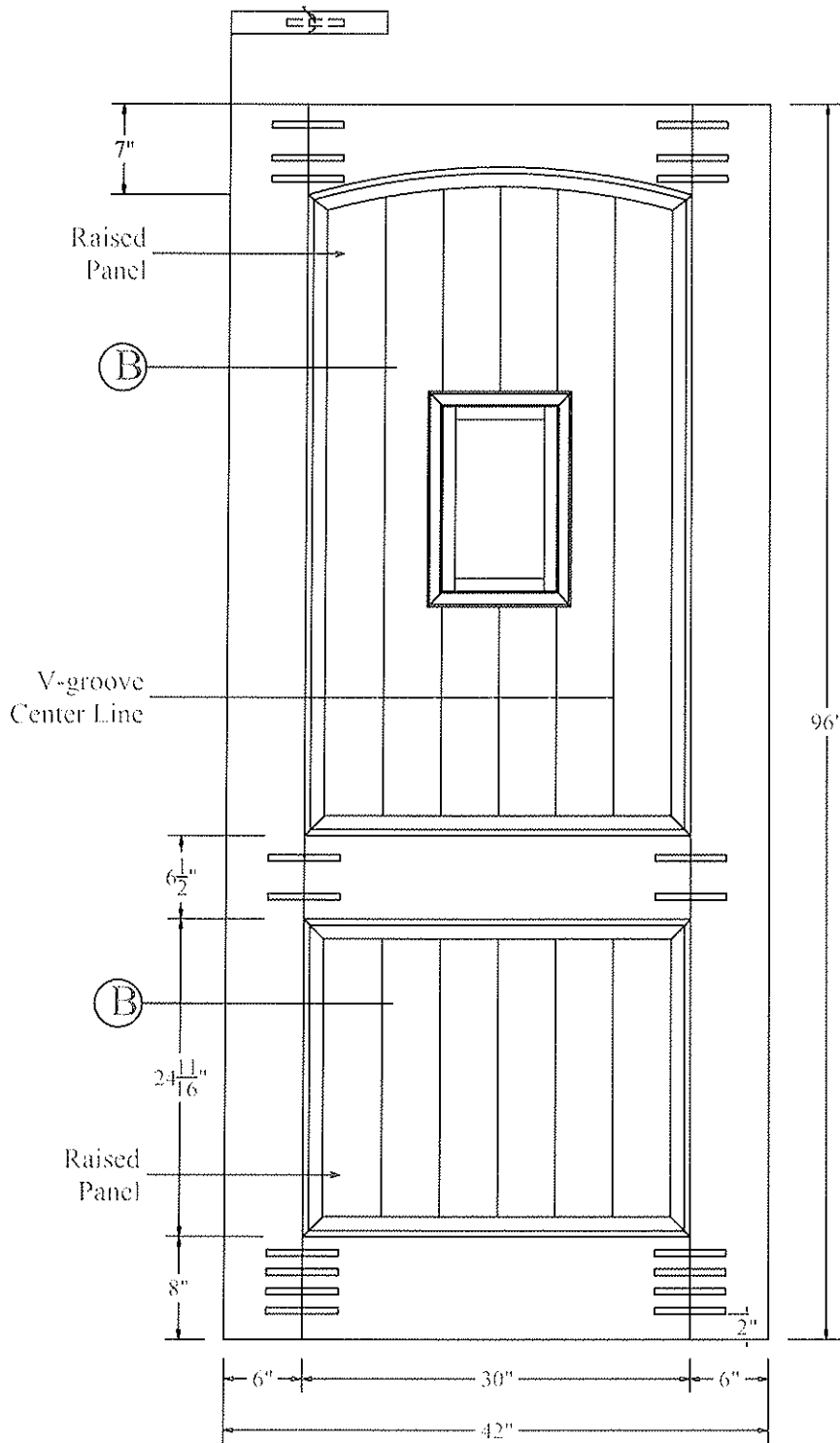
**Glass\*Craft**  
Fiberglass Glazed Doors



Architectural Testing

Test sample complies with these details.  
Deviations are noted.

Report# D2058-01-201-44  
Date 10/31/13 Tech AK

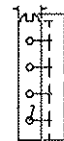
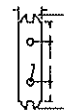


**Architectural Testing**

Test sample complies with these details.  
Deviations are noted.

Report# D2052.01-201-44

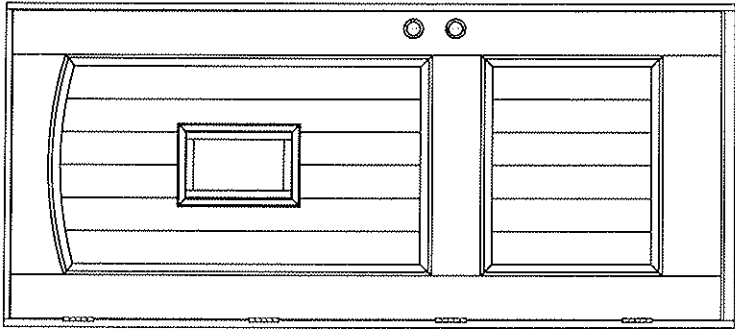
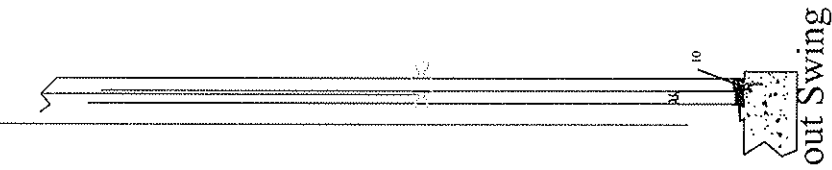
Date 10/31/13 Tech AK



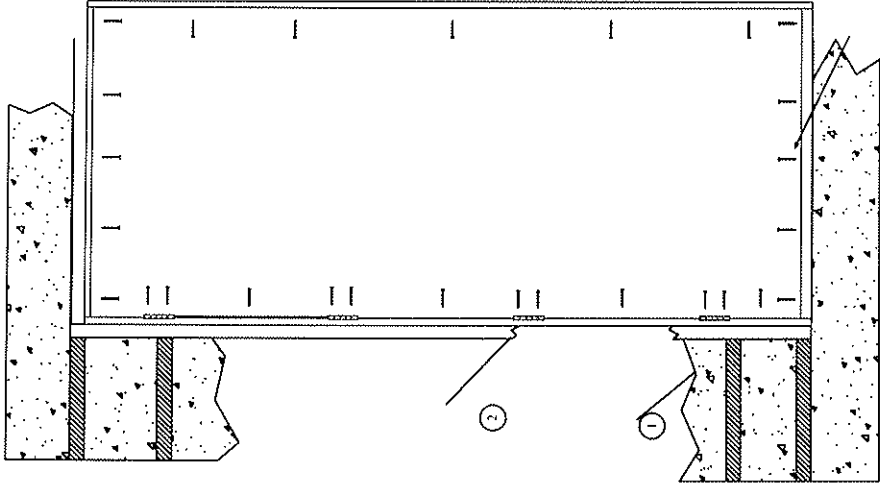
# Glass\*Craft

Single 42" Hardwood Door / Speakeasy Door

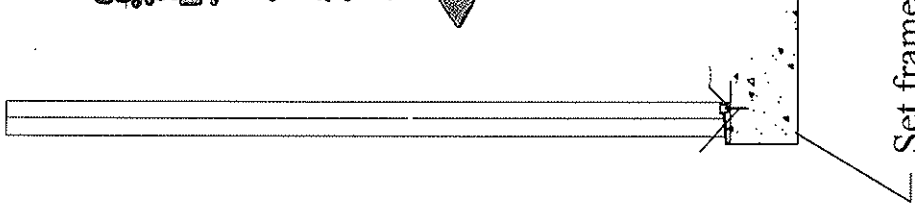




ELEVATION



ANCHORING LAYOUT



Set frame sill in concrete  
or bed of caulk

Architectural Testing  
 Test sample complies with these details.  
 Report# D058.01-201-44  
 Date 10/31/13 Tech AK

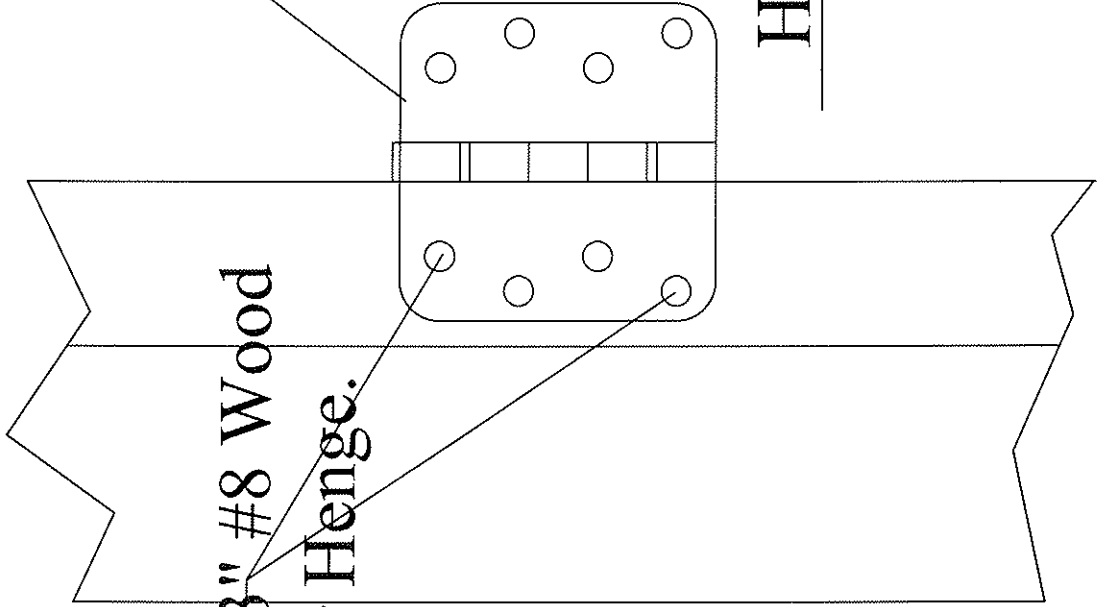
# Inside View / Out swing

**Glass\*Craft**

Single 42" Hardwood Door / Speakasey Door

# Penrond 4"x4" 5/8" Radius Hinge

Install (2) 3" #8 Wood  
Screws Per Henge.



Architectural Testing



Test sample complies with these details.  
Deviations are noted.

Report# D0057.01-201-44

Tech AK

Date 10/31/13

Hinge Detail

Glass\*Craft

### Install Outside Housing

**NOTE:** Do not install adapter ring using 1/8" (3.2 mm) hole.

- a. FOR F300/F302: Ensure pin is positioned to slide through correct bush in deadbolt.
- b. Insert housing through escutcheon and adapter ring and into door. Driver bar should slide under deadbolt.

### Instalación del alojamiento exterior

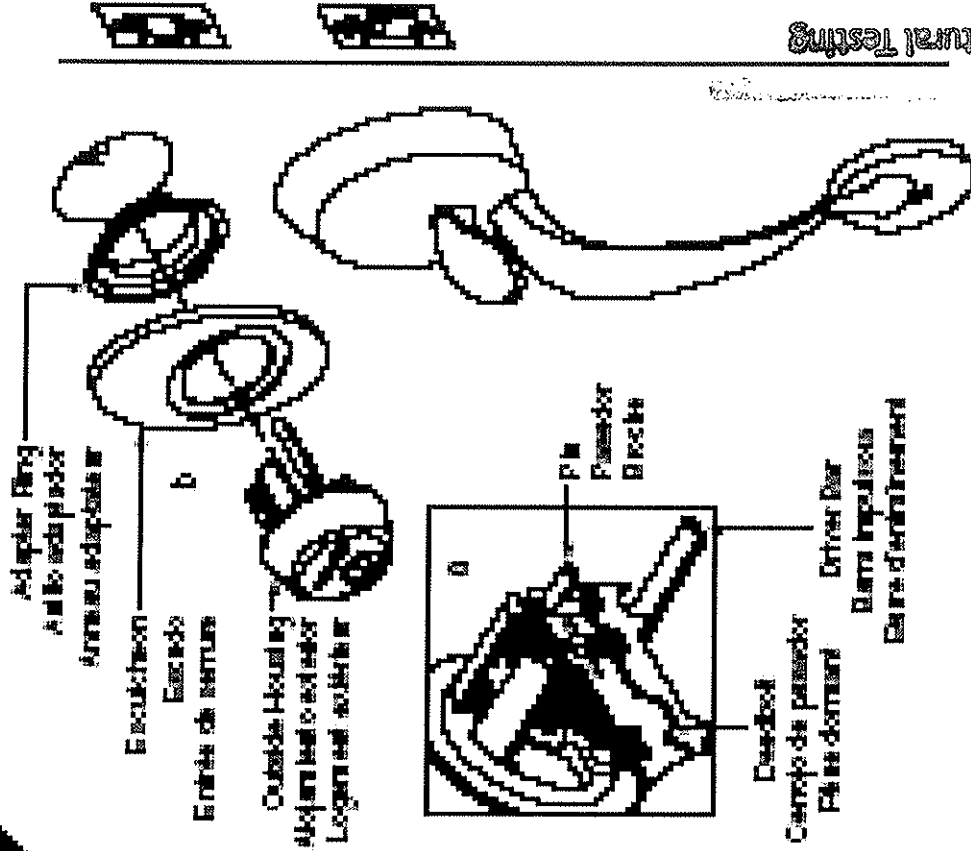
**NOTA:** Si se usa un agujero de 3.2 mm no se instala un anillo adaptador.

- a. PARA LOS MODELOS F300/F302: Se debe verificar que el pasador está colocado de manera que se deslice a través de la ranura en el pasador que corresponde a la distancia correcta del borde de la puerta al centro de la bocanilla.
- b. Introducir el alojamiento en la puerta, a través del escudo y del anillo adaptador. La barra impulsora debe deslizarse debajo del pasador.

### Installation du logement extérieur

**REMARQUE:** Ne pas installer l'anneau adaptateur si le trou 3.2 mm est utilisé.

- a. POUR les modèles F300/F302: S'assurer que la broche est placée de sorte à glisser dans la fente d'écartement correcte du piège dormant.
- b. Insérer le logement par l'entree de serrure et l'anneau adaptateur si dans la porte. La barre d'entraînement doit glisser sous le piège dormant.



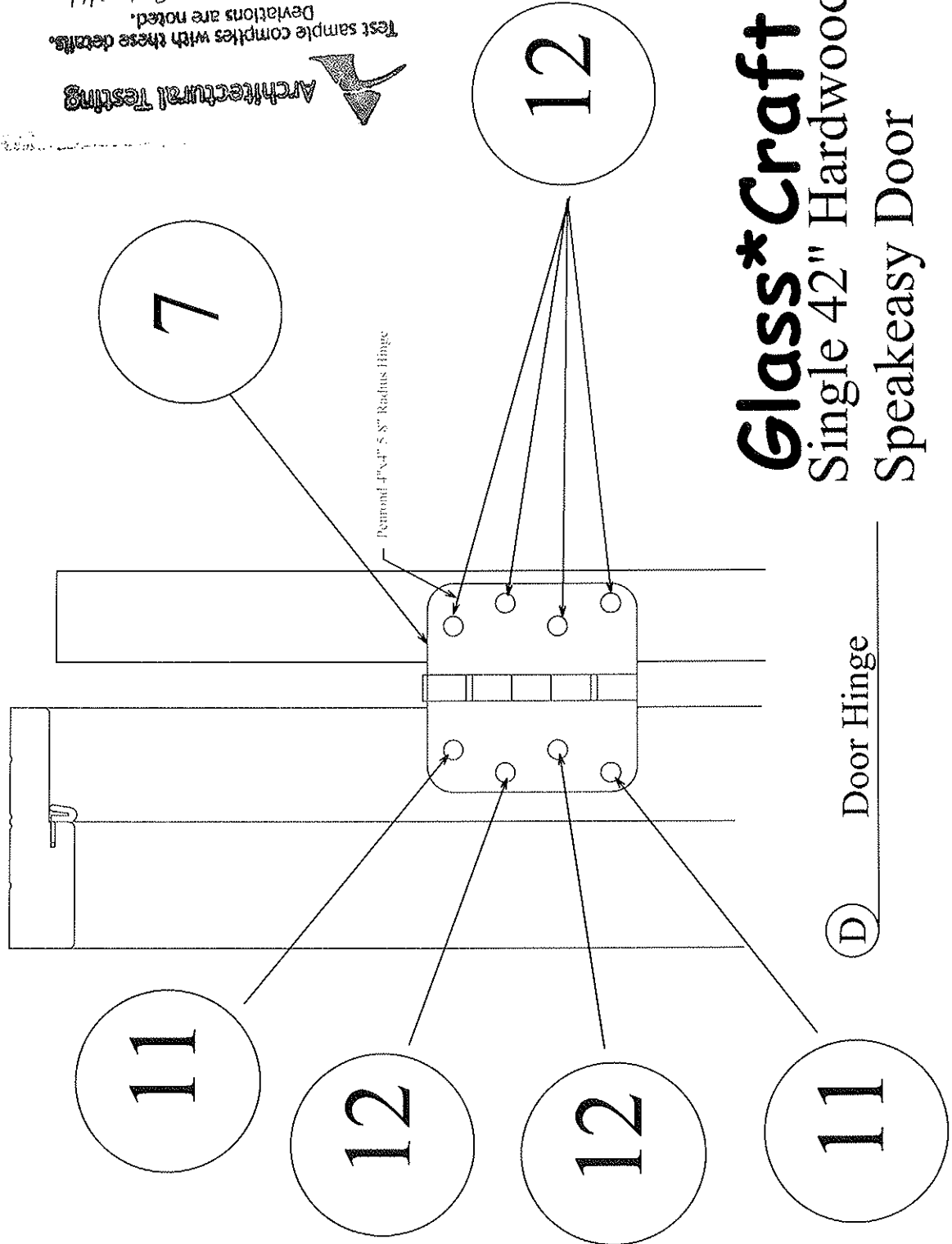
Architectural Testing

Test sample complies with these details.  
Deviations are noted.

Report# DA052.01-801-44  
Date 10/31/15  
Icon AK

# Glass\*Craft

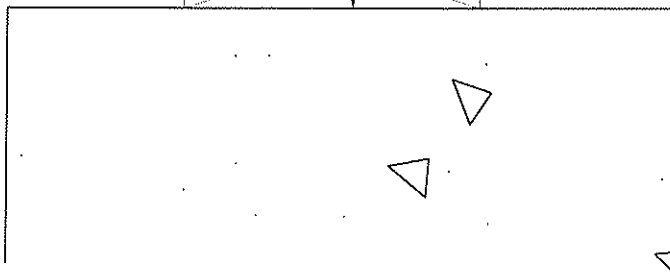
Portobello / Estancia / TDL  
Hardwood Glazed Double Doors



# Glass\*Craft

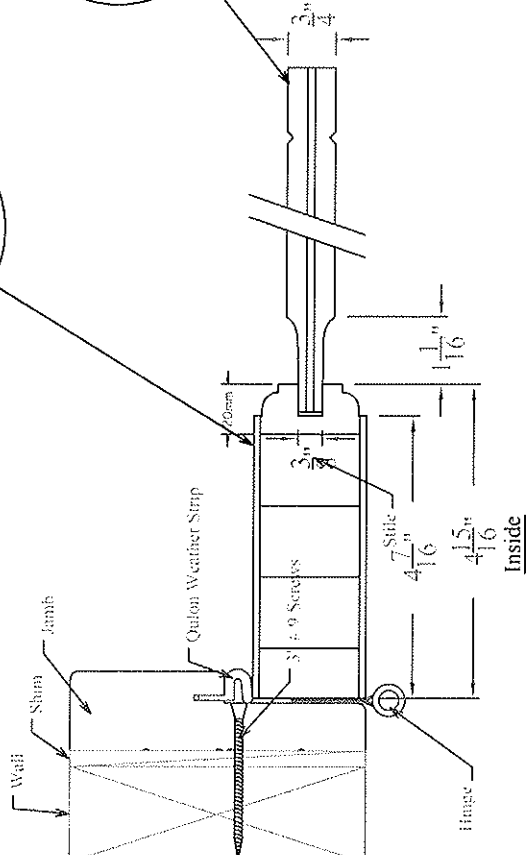
## Single 42" Hardwood Door / Speakeasy Door

Architectural Testing  
 Test sample complies with these details.  
 Deviations are noted.  
 Report# D9052.01-201-44  
 Date 10/21/13  
 Tech AK



15

9



Architectural Testing



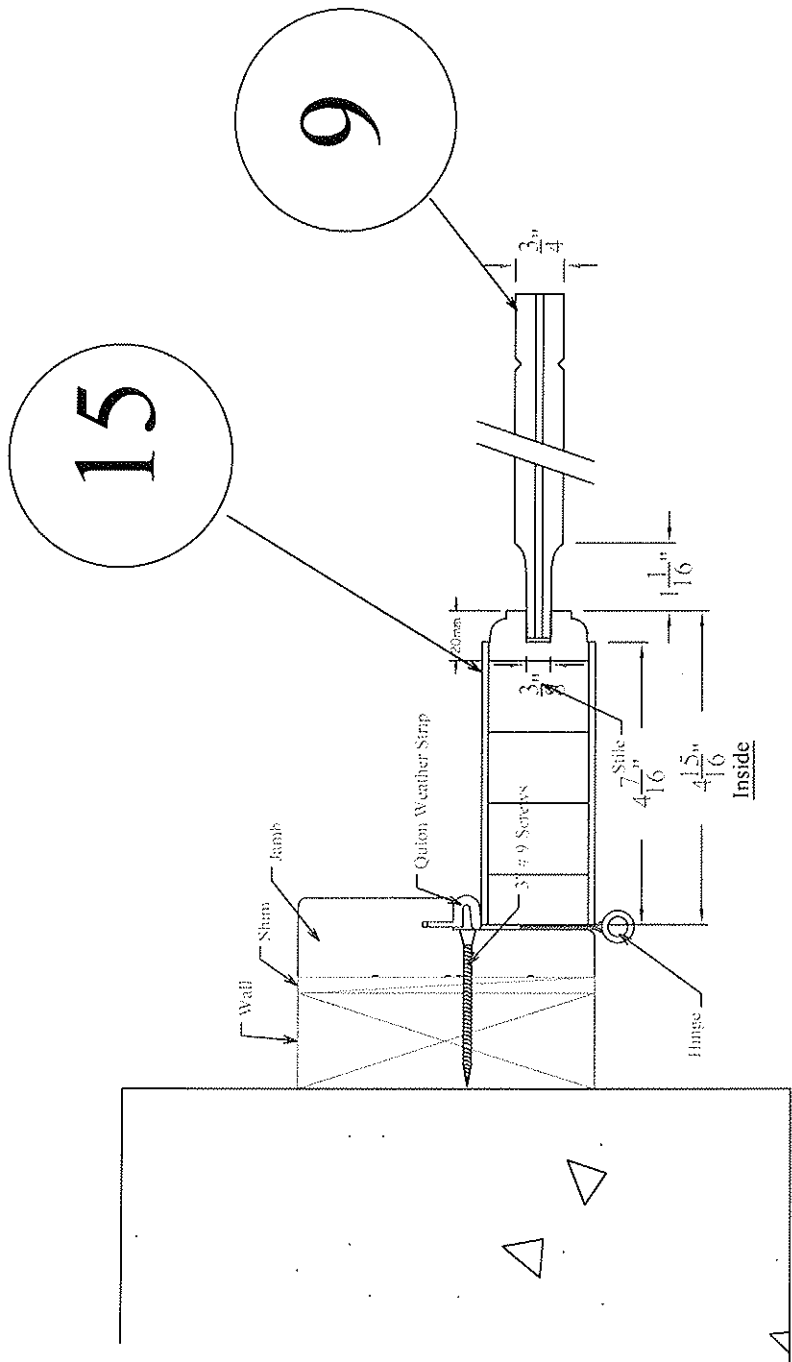
Test sample complies with these details. Deviations are noted.

Report# D8058.01-801-44  
 Date 10/31/13  
 Tech AK

# Glass\*Craft

## Single 42" Hardwood Door / Speakeasy Door

(B) Panel



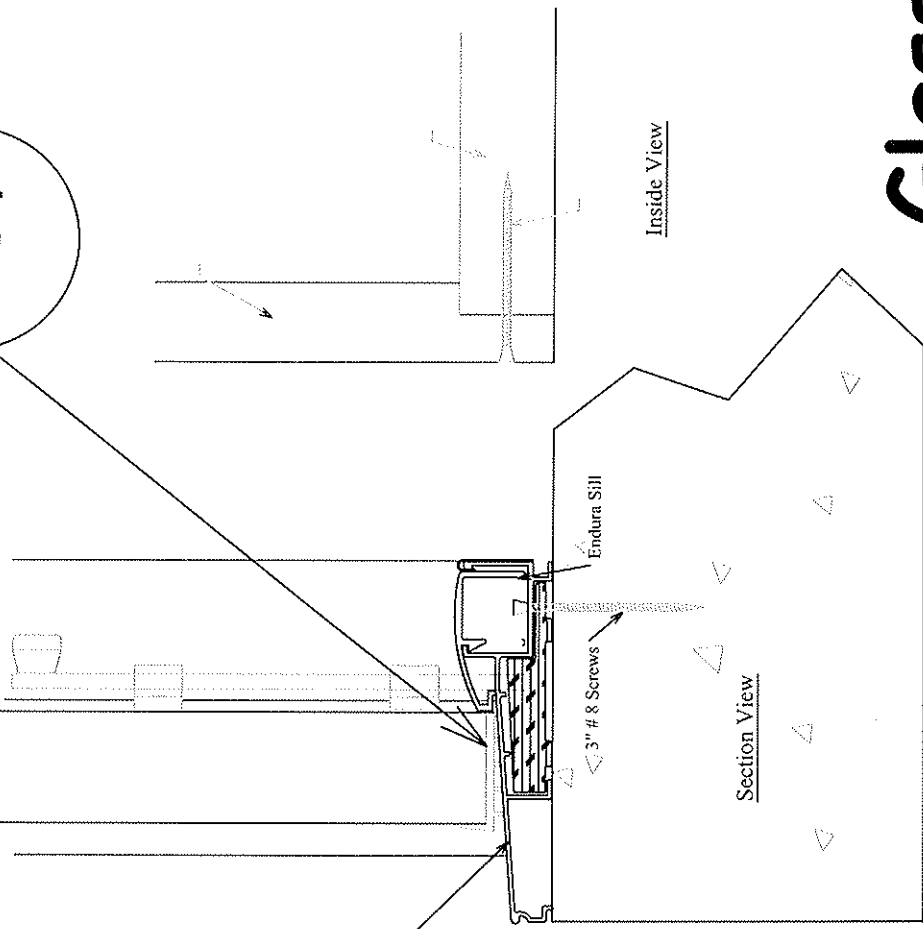
(B) Panel \_\_\_\_\_

# Glass\*Craft

## Single 42" Hardwood Door / Speakeasy Door

Architectural Testing  
 Test sample complies with these details.  
 Deviations are noted.  
 10/31/13  
 13058.01-201-44  
 AK

17



10

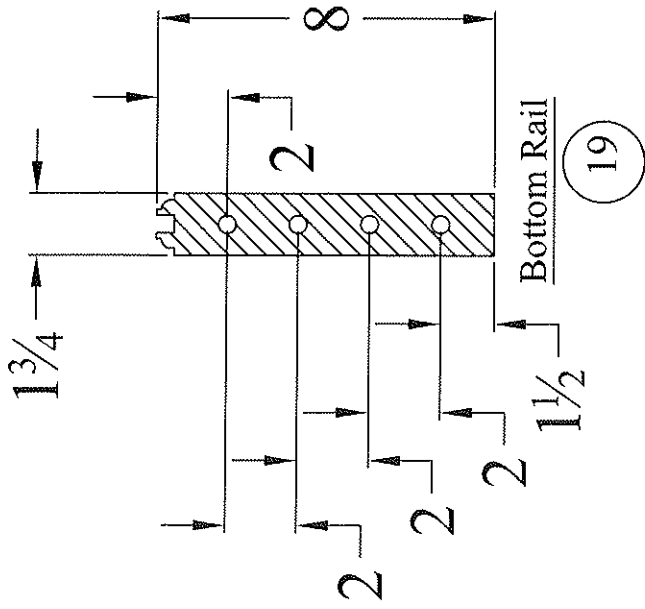
# Glass\*Craft

Portobello / Estancia / TDL  
 Hardwood Glazed Double Doors

Endura Sill

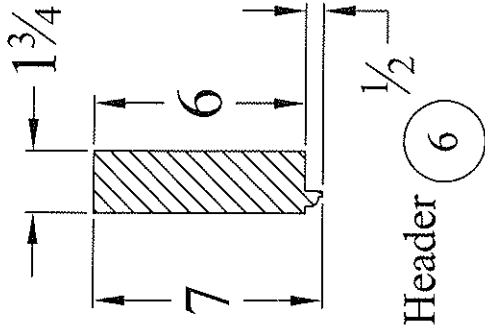
A Threshold Out Swing

ZAIL 5866 / O/S



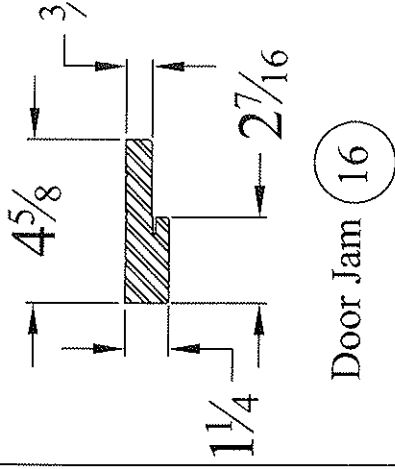
Bottom Rail

19



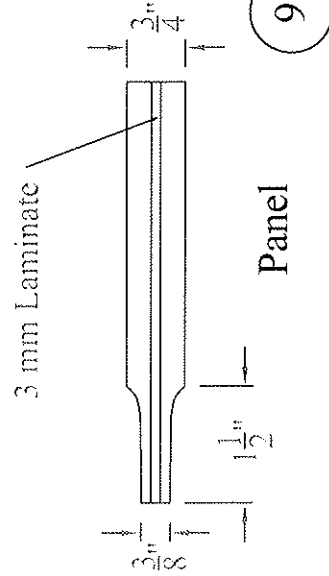
Header

6



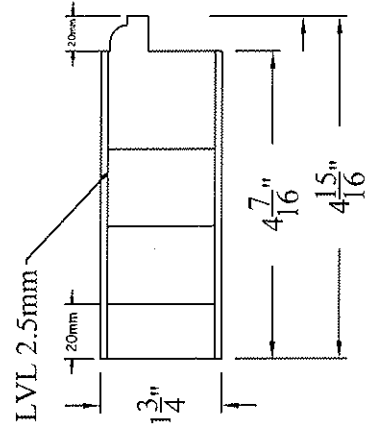
Door Jam

16



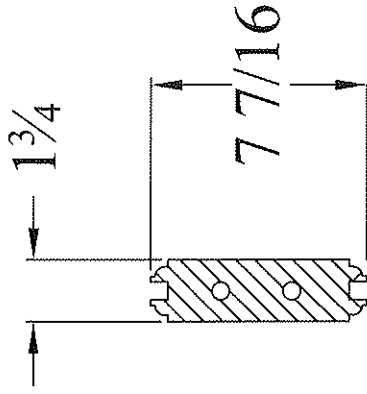
Panel

9



Stile

15



Center Rail



Round Trim

13



Architectural Testing

Test sample complies with these details.  
Deviations are noted.

Report# D2058.01-801-444

Date 10/31/13 Tech AK

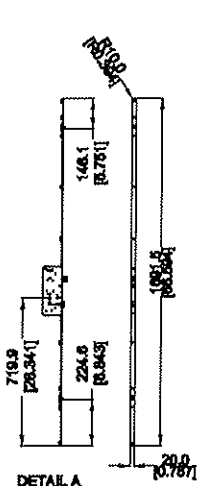
Glass\*Craft



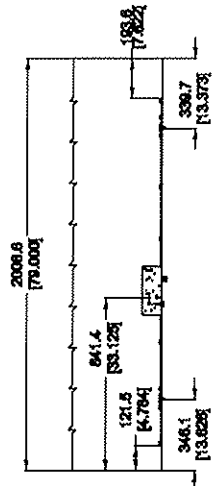
TO PRINT IS THE SOLE PROPERTY OF IMPERIAL. IT CONTAINS PROPRIETARY DATA AND INFORMATION DEVELOPED BY IMPERIAL'S SUPERVISORS AND IS FURNISHED UPON THE EXPRESS WRITTEN CONTRACT OR OTHERWISE AUTHORIZED BY IMPERIAL'S SUPERVISORS. NO PART OF THIS DRAWING SHALL NOT BE REPRODUCED, COPIED, DUPLICATED, TRANSMITTED, OR USED IN ANY MANNER WITHOUT THE WRITTEN CONSENT OF IMPERIAL USA LTD.

DO NOT SCALE DRAWING

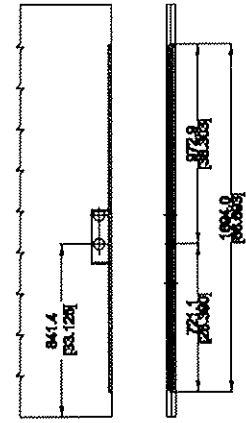
REV	DESCRIPTIONS	REV BY	DATE
A	INITIAL ISSUE	WHITE	02/04/13



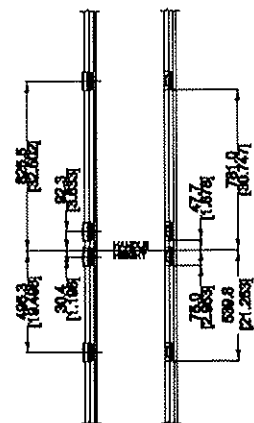
DETAIL A  
6-8 TONGUE  
MULTIPoint LOCK



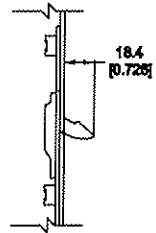
DETAIL B  
6-8 LOCK  
SIMULATION



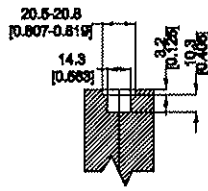
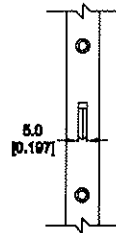
DETAIL C  
6-8 LOCK DOOR  
PANEL PREP



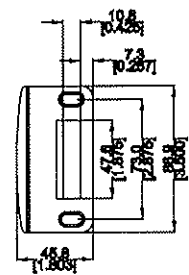
DETAIL D  
ADJUSTABLE STRIKE DETAIL



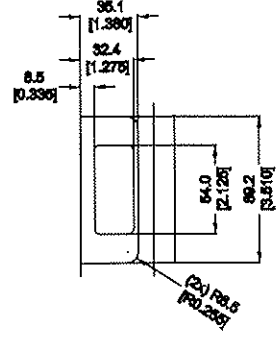
DETAIL E  
TONGUE DETAIL



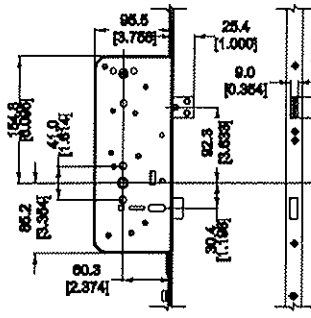
DETAIL F  
EURO-GROOVE DETAIL



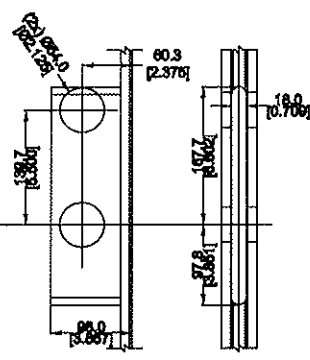
DETAIL I  
ADJUSTABLE  
STRIKE DETAIL



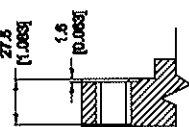
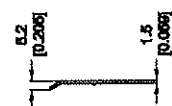
DETAIL J  
ADJUSTABLE  
STRIKE ROUTE



DETAIL G  
CENTER CASING DETAIL



DETAIL H  
CENTER CASING MORTISE DETAIL



Architectural Testing

Test sample complies with these details.  
Deviations are noted.

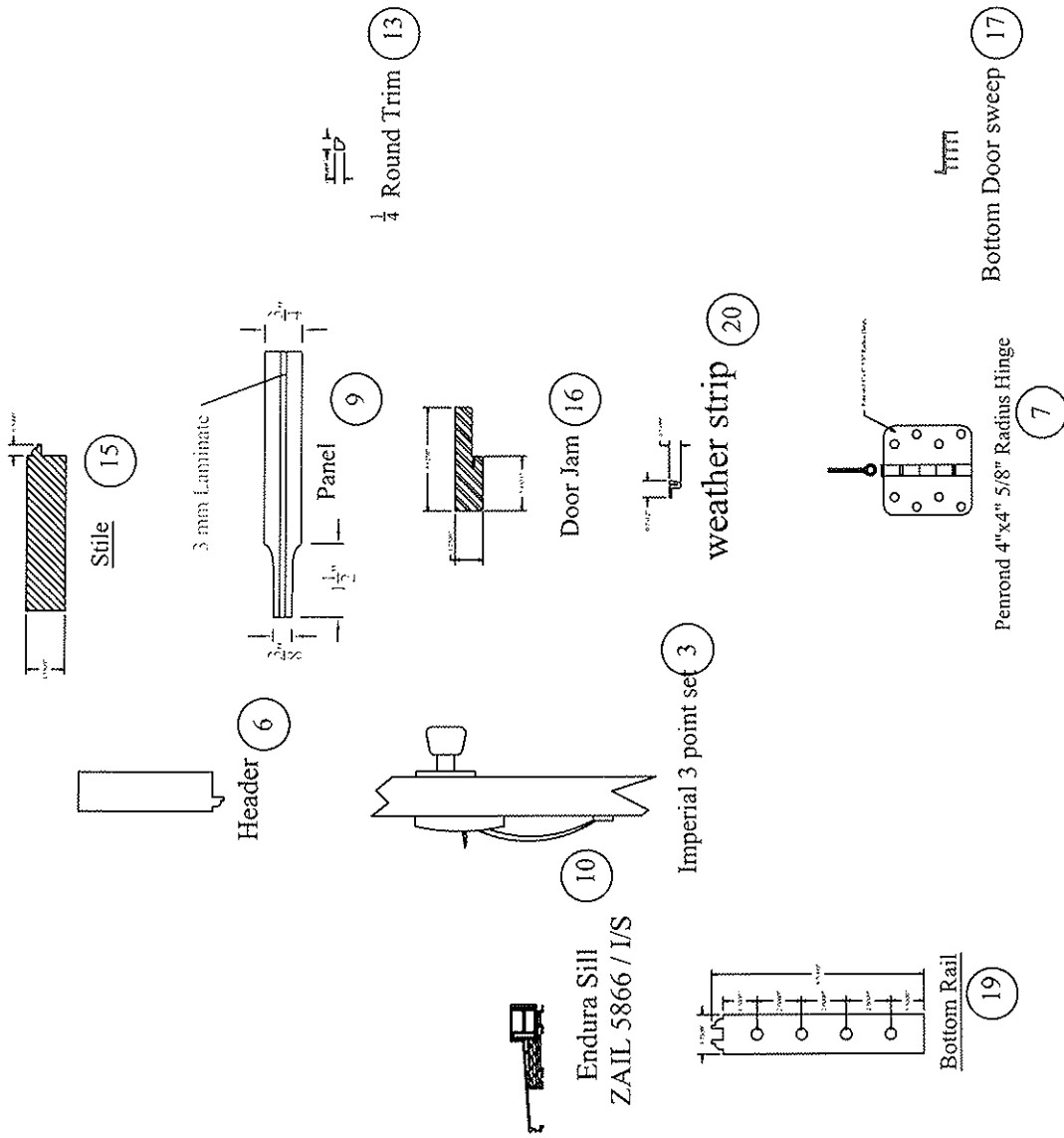
Report# D2058.01-201-44  
Date 10/31/13 Tech AK

DRAWING No.— <b>MPT-68-2P375</b>	REV.	SHEET	DESCRIPTION <b>6' 8" TONGUE MULTIPoint LOCK DETAIL (2-3/8" BACKSET)</b>
	A	1/1	
CAD INFO— <b>PROJECTS/MP/TONGUE</b>		DRAWN—C. WHITE	SCALE—
		DATE— 02/04/09	

**IMPERIAL USA Ltd.**

## List of Material

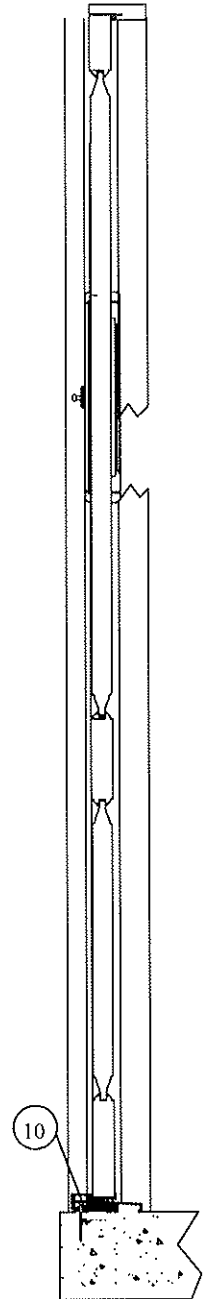
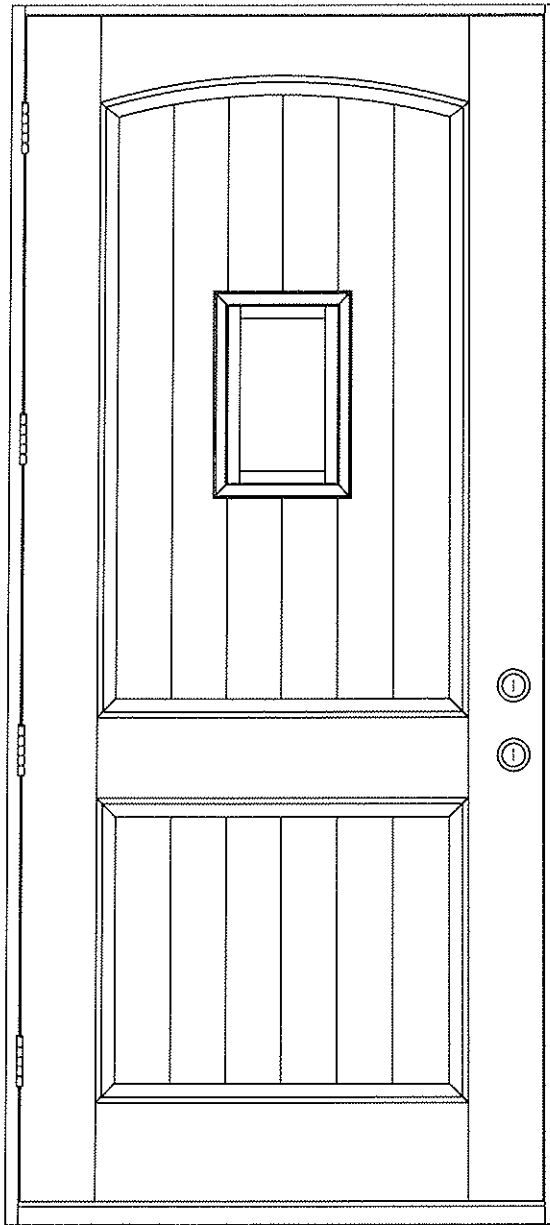
Item #	Description	Material
1	Masonry	CONC.
2	2x Buck	Wood
3	Imperial 3 point lock set	Metal
4	Top Header	Wood
5	Penrond 4"x4" 5/8" Radius Hinge	Metal
6	Panel	Wood
7	Endura Sill ZAIL 5866 / I/S	Alum.
8	3" #9 Wood screw	Metal
9	#9x1" PFH Wood Screw	Metal
10	1/4 Round Trim	Wood
11	Stile	Wood
12	Door Jam	Wood
13	Bottom Door sweep	Rubber
14	Bottom Rail	Wood
15	Bottom Rail	Wood
15	weather strip	Foam
17	Endura Sill ZAIL 5866 / O/S	Alum.



**Glass\*Craft**  
Single 42" Hardwood Door /  
Speakeasy Door

Test sample complies with these details.  
Deviations are noted.

Report# D2008.01-201-44  
Date 10/31/13 Tech AK



Section  
H-H

out Swing

# Glass\*Craft

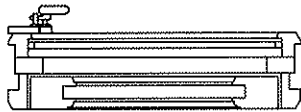
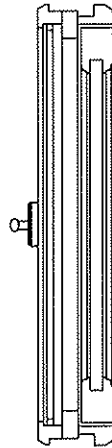
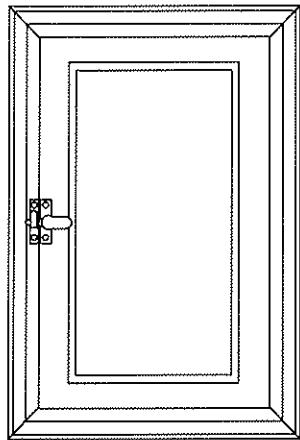
Single 42" Hardwood Door /  
Speakeasy Door



Architectural Testing

Test sample complies with these details.  
Deviations are noted.

Report# D2052.01-201-44  
Date 10/31/13 Tech AK



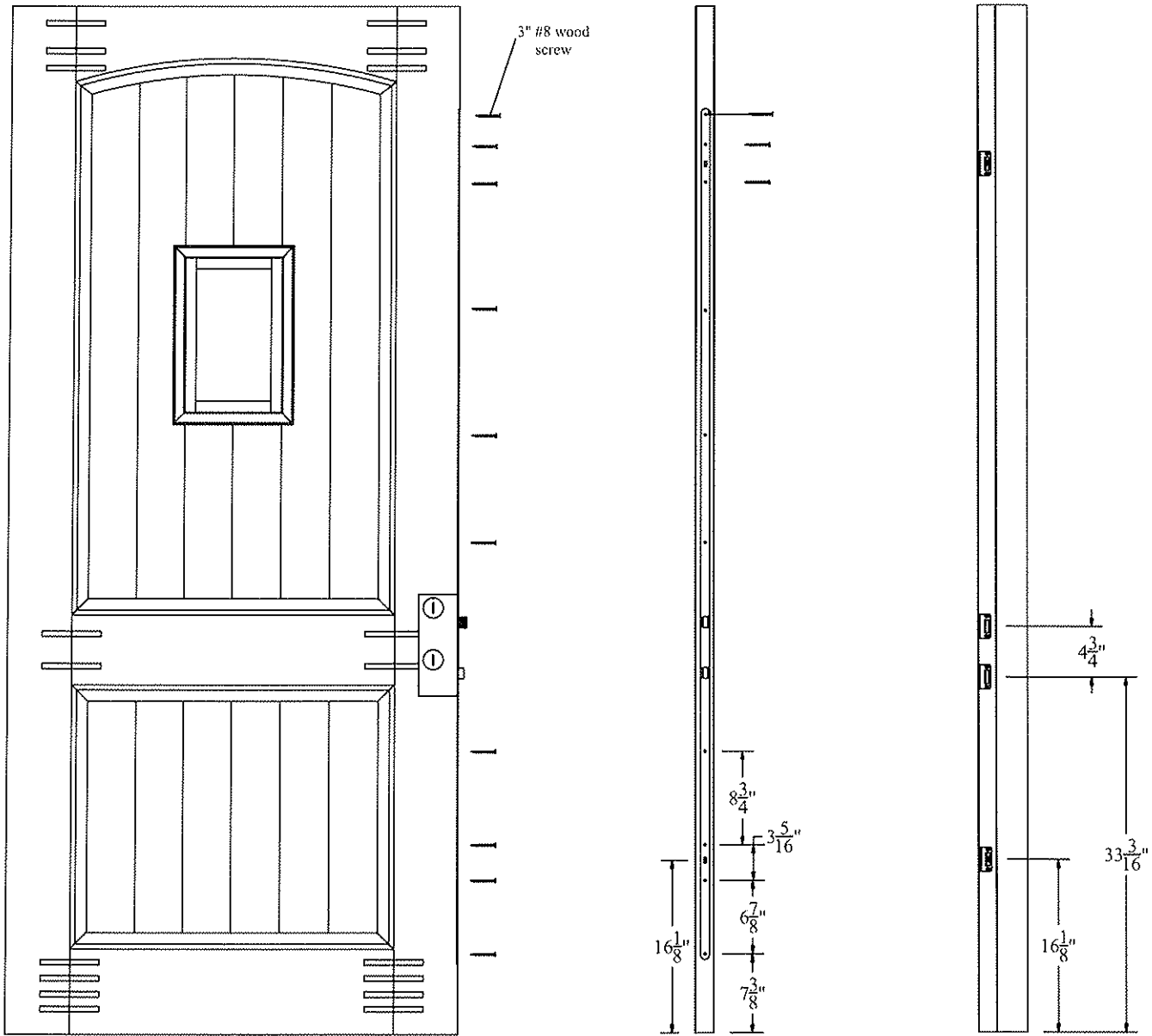
Speakeasy

 Architectural Testing

Test sample complies with these details.  
Deviations are noted.

Report# D2052.01-201-44  
Date 10/31/13 Tech AK

# Glass\*Craft



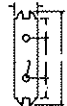
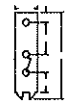
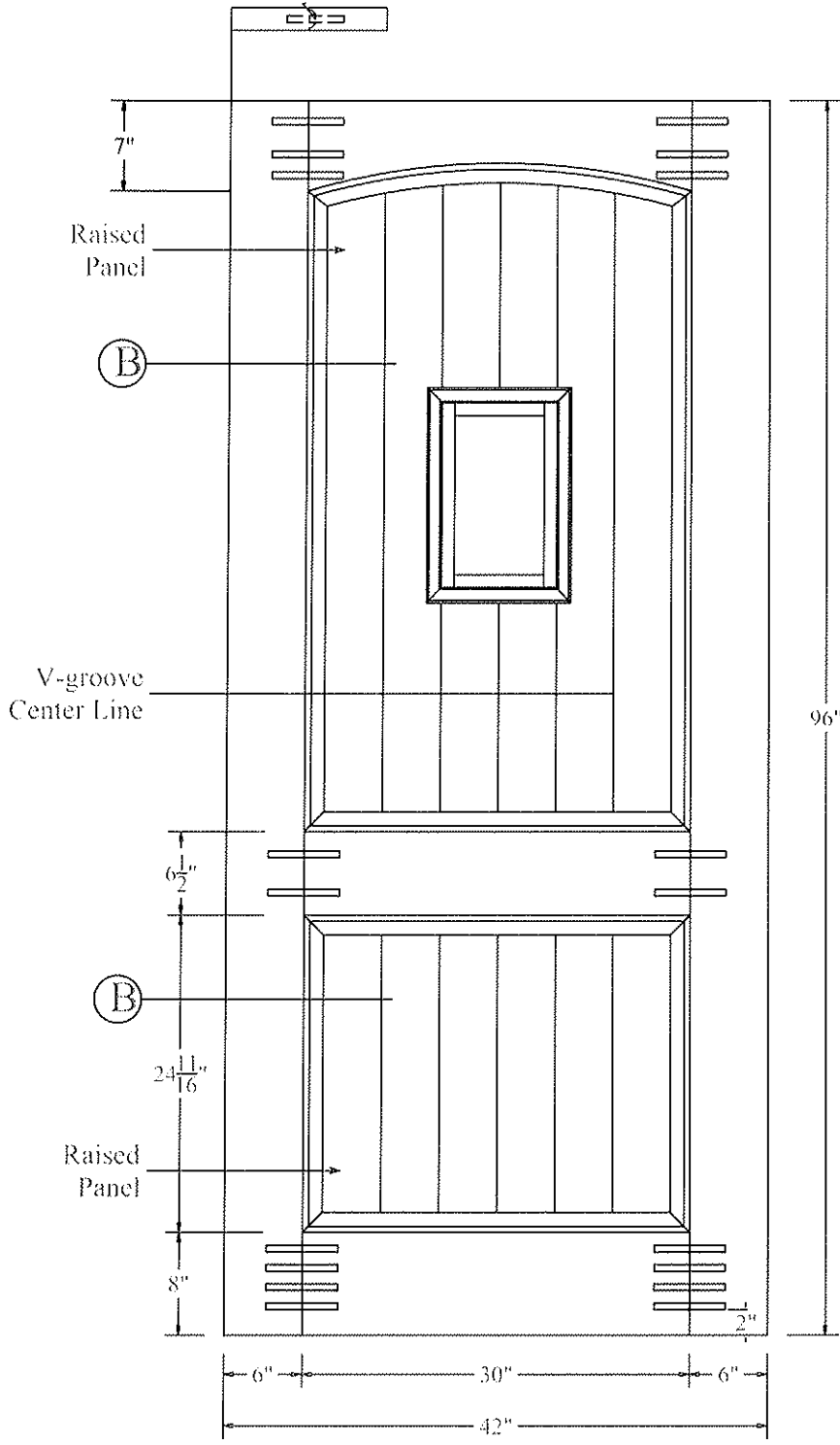
Three point lock set screw location and strike plate

**Glass\*Craft**  
Fiberglass Glazed Doors



Test sample complies with these details.  
Deviations are noted.

Report# D2058.01-201-44  
Date 10/31/13 Tech AK



**Architectural Testing**

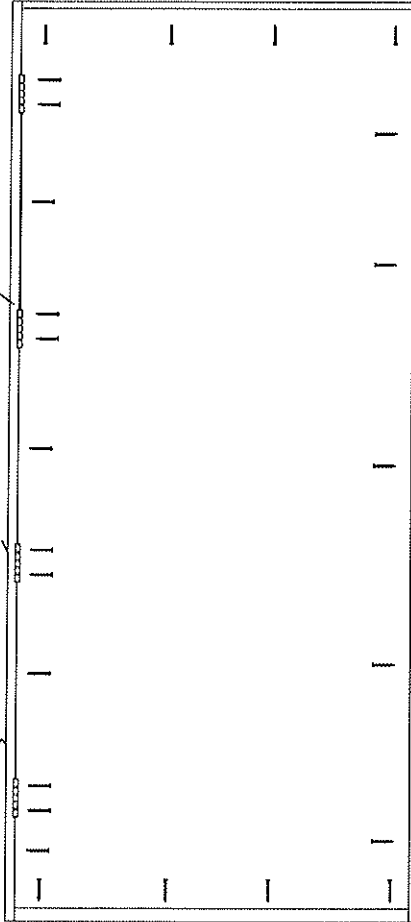
Test sample complies with these details.  
 Deviations are noted.

Revised: 10/31/12  
 10/31/12  
 Tech: AK  
 D9057.01-801-44

# Glass\*Craft

Single 42" Hardwood Door / Speakeasy Door

See Hinge Detail



**Architectural Testing**  
Test sample complies with these details.  
Deviations are noted:  
Report# D2058.01-201-44  
Date 10/31/13 Tech DK

## ANCHORING LOCATION

# Glass\*Craft

Single 42" Hardwood Door / Speakeasy Door