

CAM LOCKS
(1) LATCH FOR WINDOW HEIGHT UPTO 36"
(2) LATCHES FOR WINDOW HEIGHTS ABOVE 36"

MULTI POINT LOCK

WDW. HEIGHT UPTO	NO. OF KEEPERS
26"	2
38-3/8"	3
63"	4
76"	5

SERIES-1400 IMPACTVIEW ALUMINUM CASEMENT WINDOW

DESIGN LOAD RATINGS FOR THESE WINDOWS TO BE AS PER CHARTS SHOWN ON SHEET 2 AND 3.

APPROVAL APPLIES TO SINGLE CASEMENT WINDOWS, ALSO COMBINATIONS OF CASMT/CASMT OR CASMT WITH OTHER WINDOW TYPES IN MODULES OF TWO OR MORE WINDOWS USING F.B.C. APPROVED MULLIONS IN BETWEEN.

LOWER DESIGN PRESSURE FROM WINDOWS OR MULLION APPROVAL WILL APPLY TO ENTIRE SYSTEM.

THIS PRODUCT HAS BEEN DESIGNED AND TESTED TO COMPLY WITH THE REQUIREMENTS OF THE 2014 (5TH EDITION) FLORIDA BUILDING CODE INCLUDING HIGH VELOCITY HURRICANE ZONE (HVHZ).

WOOD BUCKS BY OTHERS, MUST BE ANCHORED PROPERLY TO TRANSFER LOADS TO THE STRUCTURE.

ANCHORS SHALL BE AS LISTED, SPACED AS SHOWN ON DETAILS, ANCHORS EMBEDMENT TO BASE MATERIAL SHALL BE BEYOND WALL DRESSING OR STUCCO.

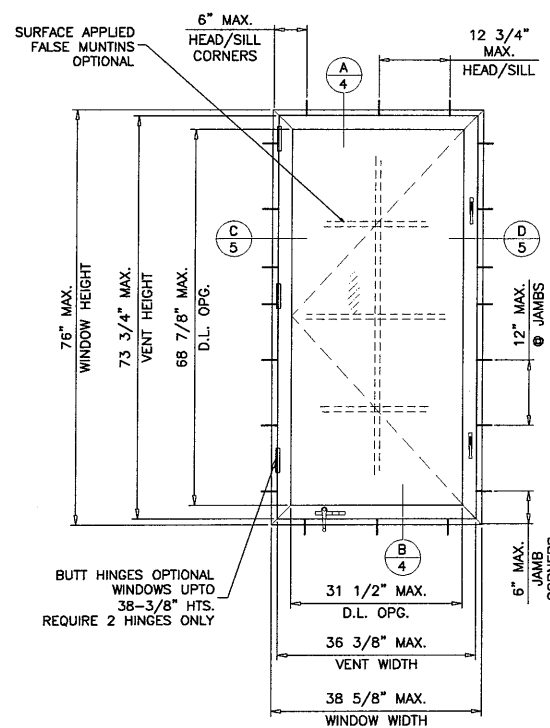
ANCHORING OR LOADING CONDITIONS NOT SHOWN IN THESE DETAILS ARE NOT PART OF THIS APPROVAL.

A LOAD DURATION INCREASE IS USED IN DESIGN OF ANCHORS INTO WOOD ONLY.

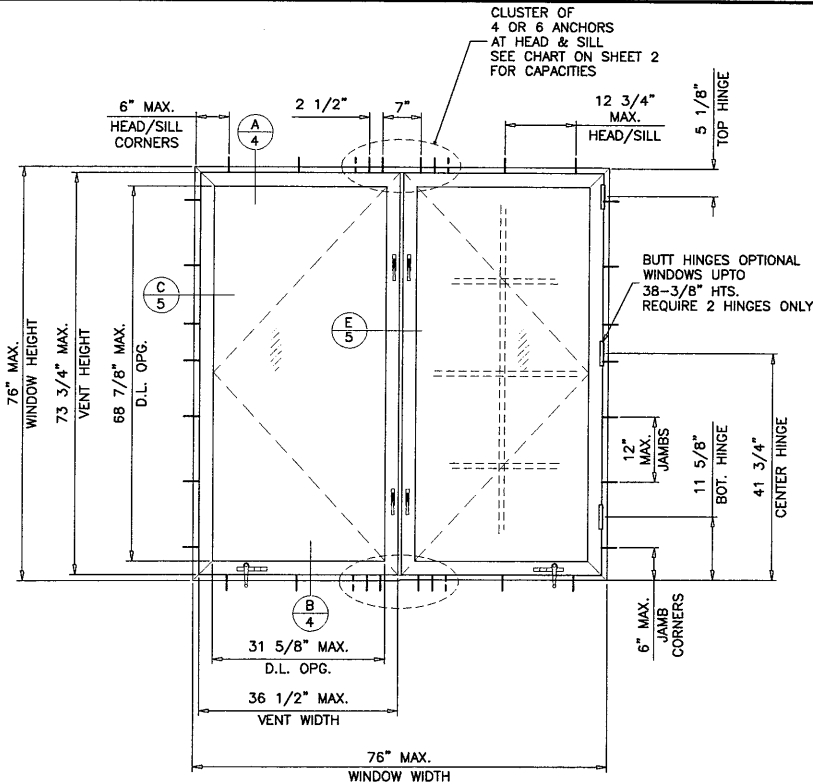
ALL SHIMS TO BE HIGH IMPACT, NON-METALLIC AND NON-COMPRESSIBLE.

MATERIALS INCLUDING BUT NOT LIMITED TO STEEL/METAL SCREWS, THAT COME INTO CONTACT WITH OTHER DISSIMILAR MATERIALS SHALL MEET THE REQUIREMENTS OF THE 2014 FLORIDA BUILDING CODE.

MANUFACTURER'S LABEL SHALL BE LOCATED ON A READILY VISIBLE LOCATION IN ACCORDANCE WITH SECTION 1710.8.3 OF FLORIDA BUILDING CODE. LABELING TO COMPLY WITH SECTION 1710.8.2.



SINGLE VENT WDW.



DUAL VENT WDW.

THESE WINDOWS ARE RATED FOR LARGE & SMALL MISSILE IMPACT. SHUTTERS ARE NOT REQUIRED.

LAMINATED GLASS
INSUL. LAM. GLASS
LARGE MISSILE IMPACT

- A- THIS PRODUCT EVALUATION DOCUMENT (P.E.D.) PREPARED BY THIS ENGINEER IS GENERIC AND DOES NOT PROVIDE INFORMATION FOR A SITE SPECIFIC PROJECT, I.E. WHERE THE SITE CONDITIONS DEVIATE FROM THE P.E.D.
- B- CONTRACTOR TO BE RESPONSIBLE FOR THE SELECTION, PURCHASE AND INSTALLATION OF THIS PRODUCT BASED ON THIS PRODUCT EVALUATION PROVIDED HE/SHE DOES NOT DEVIATE FROM THE CONDITIONS DETAILED ON THIS DOCUMENT.
- C- THIS PRODUCT EVALUATION DOCUMENT WILL BE CONSIDERED INVALID IF ALTERED BY ANY MEANS.
- D- SITE SPECIFIC PROJECTS SHALL BE PREPARED BY A FLORIDA REGISTERED ENGINEER OR ARCHITECT WHICH WILL BECOME THE ENGINEER OF RECORD (E.O.R.) FOR THE PROJECT AND WHO WILL BE RESPONSIBLE FOR THE PROPER USE OF THE P.E.D. ENGINEER OF RECORD, ACTING AS A DELEGATED ENGINEER TO THE P.E.D. ENGINEER SHALL SUBMIT TO THIS LATTER THE SITE SPECIFIC DRAWINGS FOR REVIEW.
- E- THIS P.E.D. SHALL BEAR THE DATE AND ORIGINAL SEAL AND SIGNATURE OF THE PROFESSIONAL ENGINEER OF RECORD THAT PREPARED IT.

FL #18390

JAVAD AHMAD
LICENSE
No. 70592
STATE OF FLORIDA
PROFESSIONAL ENGINEER

af c

AL-FAROOQ CORPORATION
ENGINEERS & PRODUCT DEVELOPMENT
9360 SUNSET DRIVE, SUITE 220
MIAMI, FLORIDA 33173
TEL. (305) 264-6100 FAX. (305) 262-6978

AWP WINDOWS AND DOORS, LLC
8150 N.W. 74TH AVE.
MEDLEY, FL. 33116
TEL. (305) 887-2646 FAX (305) 883-1309

SERIES-1400 IMPACTVIEW ALUM. CASEMENT WDW. (L.M.I.)

NO.	DATE	BY	DESCRIPTION
1	02.18.16	A	GENERAL REVISION

date: 08-21-15
scale: 1/2"=1'-0"
dr. by: HAMID
chk. by:

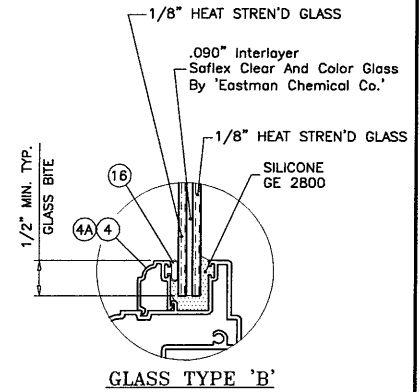
drawing no.
W15-57
sheet 1 of 7

DESIGN LOAD CAPACITY - PSF FOR (X) SIZES					
WINDOW DIMS.		GLASS TYPES 'B', 'C' & 'D'		GLASS TYPE 'E'	
WIDTH	HEIGHT	EXT.(+)	INT.(-)	EXT.(+)	INT.(-)
19-1/8"	26" (3)	75.0	75.0	65.0	65.0
26-1/2"		75.0	75.0	65.0	65.0
37"		75.0	75.0	65.0	65.0
19-1/8"	38-3/8" (4)	75.0	75.0	65.0	65.0
26-1/2"		75.0	75.0	65.0	65.0
37"		75.0	75.0	65.0	65.0
19-1/8"	50-5/8" (5)	75.0	75.0	65.0	65.0
26-1/2"		75.0	75.0	65.0	65.0
37"		75.0	75.0	65.0	65.0
19-1/8"	63" (6)	75.0	75.0	65.0	65.0
26-1/2"		75.0	75.0	65.0	65.0
37"		75.0	75.0	-	-
19-1/8"	74-1/4" (7)	75.0	75.0	65.0	65.0
26-1/2"		75.0	75.0	-	-
37"		75.0	75.0	-	-
12"	24" (3)	75.0	75.0	65.0	65.0
18"		75.0	75.0	65.0	65.0
24"		75.0	75.0	65.0	65.0
30"		75.0	75.0	65.0	65.0
36"		75.0	75.0	65.0	65.0
38"		75.0	75.0	65.0	65.0
12"	36" (3)	75.0	75.0	65.0	65.0
18"		75.0	75.0	65.0	65.0
24"		75.0	75.0	65.0	65.0
30"		75.0	75.0	65.0	65.0
36"		70.7	70.7	65.0	65.0
38"		66.9	66.9	65.0	65.0
12"	48" (4)	75.0	75.0	65.0	65.0
18"		75.0	75.0	65.0	65.0
24"		75.0	75.0	65.0	65.0
30"		75.0	75.0	65.0	65.0
36"		70.7	70.7	65.0	65.0
38"		66.9	66.9	65.0	65.0
12"	60" (5)	75.0	75.0	65.0	65.0
18"		75.0	75.0	65.0	65.0
24"		75.0	75.0	65.0	65.0
30"		75.0	75.0	65.0	65.0
36"		70.7	70.7	-	-
38"		66.9	66.9	-	-
12"	72" (6)	75.0	75.0	65.0	65.0
18"		75.0	75.0	65.0	65.0
24"		75.0	75.0	65.0	65.0
30"		75.0	75.0	-	-
36"		70.7	70.7	-	-
38"		66.9	66.9	-	-
12"	76" (7)	75.0	75.0	65.0	65.0
18"		75.0	75.0	65.0	65.0
24"		75.0	75.0	65.0	65.0
30"		75.0	75.0	-	-
36"		75.0	75.0	-	-
38"		74.0	74.0	-	-

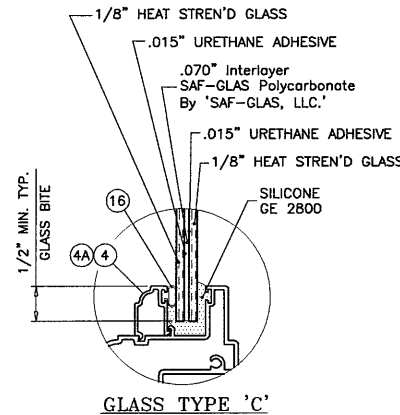
() = NO. OF ANCHORS PER JAMB

DESIGN LOAD CAPACITY - PSF FOR (XX) SIZES									
		CLUSTER OF 4 ANCHORS AT IMPOST LOCATION				CLUSTER OF 6 ANCHORS AT IMPOST LOCATION			
WINDOW DIMS.		GLASS TYPES 'B', 'C' & 'D'		GLASS TYPE 'E'		GLASS TYPES 'B', 'C' & 'D'		GLASS TYPE 'E'	
WIDTH	HEIGHT	EXT.(+)	INT.(-)	EXT.(+)	INT.(-)	EXT.(+)	INT.(-)	EXT.(+)	INT.(-)
37"	26" (3)	75.0	75.0	65.0	65.0	75.0	75.0	65.0	65.0
53-1/8"		75.0	75.0	65.0	65.0	75.0	75.0	65.0	65.0
74"		75.0	75.0	65.0	65.0	75.0	75.0	65.0	65.0
37"	38-3/8" (4)	75.0	75.0	65.0	65.0	75.0	75.0	65.0	65.0
53-1/8"		75.0	75.0	65.0	65.0	75.0	75.0	65.0	65.0
74"		75.0	75.0	65.0	65.0	75.0	75.0	65.0	65.0
37"	50-5/8" (5)	75.0	75.0	65.0	65.0	75.0	75.0	65.0	65.0
53-1/8"		75.0	75.0	65.0	65.0	75.0	75.0	65.0	65.0
74"		63.1	63.1	63.1	63.1	75.0	75.0	65.0	65.0
37"	63" (6)	75.0	75.0	65.0	65.0	75.0	75.0	65.0	65.0
53-1/8"		70.6	70.6	65.0	65.0	75.0	75.0	65.0	65.0
74"		50.7	50.7	-	-	75.0	75.0	-	-
37"	74-1/4" (7)	75.0	75.0	65.0	65.0	75.0	75.0	65.0	65.0
53-1/8"		59.9	59.9	-	-	67.0	67.0	-	-
74"		43.0	43.0	-	-	50.6	50.6	-	-
24"	24" (3)	75.0	75.0	65.0	65.0	75.0	75.0	65.0	65.0
36"		75.0	75.0	65.0	65.0	75.0	75.0	65.0	65.0
48"		75.0	75.0	65.0	65.0	75.0	75.0	65.0	65.0
60"		75.0	75.0	65.0	65.0	75.0	75.0	65.0	65.0
72"		75.0	75.0	65.0	65.0	75.0	75.0	65.0	65.0
76"		75.0	75.0	65.0	65.0	75.0	75.0	65.0	65.0
24"	36" (3)	75.0	75.0	65.0	65.0	75.0	75.0	65.0	65.0
36"		75.0	75.0	65.0	65.0	75.0	75.0	65.0	65.0
48"		75.0	75.0	65.0	65.0	75.0	75.0	65.0	65.0
60"		75.0	75.0	65.0	65.0	75.0	75.0	65.0	65.0
72"		70.7	70.7	65.0	65.0	70.7	70.7	65.0	65.0
76"		66.9	66.9	65.0	65.0	66.9	66.9	65.0	65.0
24"	48" (4)	75.0	75.0	65.0	65.0	75.0	75.0	65.0	65.0
36"		75.0	75.0	65.0	65.0	75.0	75.0	65.0	65.0
48"		75.0	75.0	65.0	65.0	75.0	75.0	65.0	65.0
60"		75.0	75.0	65.0	65.0	75.0	75.0	65.0	65.0
72"		68.4	68.4	65.0	65.0	70.7	70.7	65.0	65.0
76"		64.8	64.8	64.8	64.8	66.9	66.9	65.0	65.0
24"	60" (5)	75.0	75.0	65.0	65.0	75.0	75.0	65.0	65.0
36"		75.0	75.0	65.0	65.0	75.0	75.0	65.0	65.0
48"		75.0	75.0	65.0	65.0	75.0	75.0	65.0	65.0
60"		65.7	65.7	65.0	65.0	75.0	75.0	65.0	65.0
72"		54.7	54.7	-	-	70.7	70.7	-	-
76"		51.8	51.8	-	-	66.9	66.9	-	-
24"	72" (6)	75.0	75.0	65.0	65.0	75.0	75.0	65.0	65.0
36"		75.0	75.0	65.0	65.0	75.0	75.0	65.0	65.0
48"		68.4	68.4	65.0	65.0	75.0	75.0	65.0	65.0
60"		54.7	54.7	-	-	66.3	66.3	-	-
72"		45.6	45.6	-	-	57.1	57.1	-	-
76"		43.2	43.2	-	-	54.8	54.8	-	-
24"	76" (7)	75.0	75.0	65.0	65.0	75.0	75.0	65.0	65.0
36"		75.0	75.0	65.0	65.0	75.0	75.0	65.0	65.0
48"		64.8	64.8	64.8	64.8	68.4	68.4	65.0	65.0
60"		51.8	51.8	-	-	56.0	56.0	-	-
72"		43.2	43.2	-	-	48.0	48.0	-	-
76"		40.9	40.9	-	-	46.0	46.0	-	-

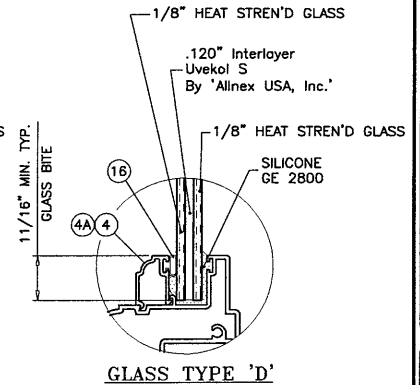
() = NO. OF ANCHORS PER JAMB



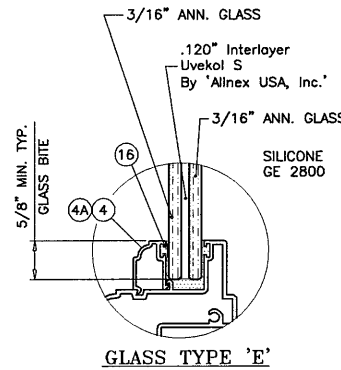
GLASS TYPE 'B'



GLASS TYPE 'C'



GLASS TYPE 'D'

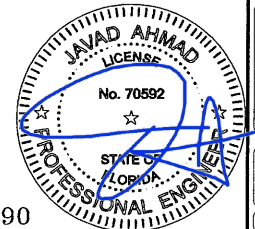


GLASS TYPE 'E'

NOTE:
GLASS CAPACITIES ON THIS SHEET ARE BASED ON ASTM E1300-09 (3 SEC. GUSTS) AND FLORIDA BUILDING COMMISSION DECLARATORY STATEMENT DCA05-DEC-219

GLAZING OPTIONS

FL #18390



af c
AL-FAROOQ CORPORATION
 ENGINEERS & PRODUCT DEVELOPMENT
 9360 SUNSET DRIVE, SUITE 220
 MIAMI, FLORIDA 33173
 TEL. (305) 264-9100 FAX. (305) 262-9978
 COMP-ANL/W15-57AWP

SERIES-1400 IMPACTIVEN ALUM CASEMENT WDK. (L.M.I.)
AWP WINDOWS AND DOORS, LLC
 8130 N.W. 74TH AVE.
 MEDLEY, FL. 33166
 TEL. (305) 887-2646 FAX (305) 883-1309

revisions:	no	date	by	description

date: 08-21-15
 scale: 1/2" = 1"
 dr. by: HAMID
 chk. by:

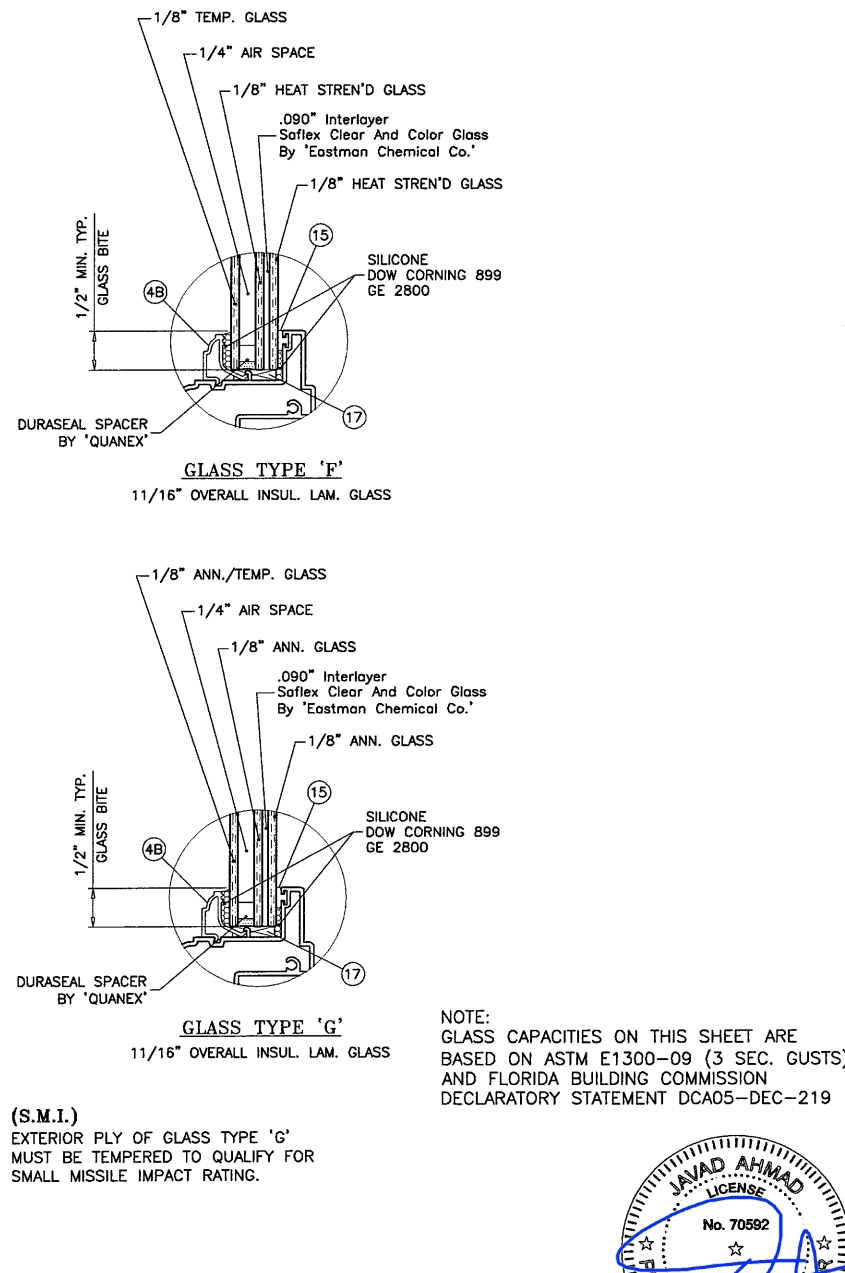
drawing no.
W15-57
 sheet 2 of 7

DESIGN LOAD CAPACITY - PSF FOR (X) SIZES					
WINDOW DIMS.		GLASS TYPE 'F'		GLASS TYPE 'G'	
WIDTH	HEIGHT	EXT.(+)	INT.(-)	EXT.(+)	INT.(-)
19-1/8"	26" (3)	65.0	65.0	58.0	58.0
26-1/2"		65.0	65.0	58.0	58.0
37"		65.0	65.0	58.0	58.0
19-1/8"	38-3/8" (4)	65.0	65.0	58.0	58.0
26-1/2"		65.0	65.0	58.0	58.0
37"		65.0	65.0	58.0	58.0
19-1/8"	50-5/8" (5)	65.0	65.0	58.0	58.0
26-1/2"		65.0	65.0	58.0	58.0
37"		65.0	65.0	58.0	58.0
19-1/8"	63" (6)	65.0	65.0	58.0	58.0
26-1/2"		65.0	65.0	58.0	58.0
37"		65.0	65.0	58.0	58.0
19-1/8"	74-1/4" (7)	65.0	65.0	58.0	58.0
26-1/2"		65.0	65.0	58.0	58.0
36-3/4"		65.0	65.0	57.8	57.8
19-1/8"	76" (7)	65.0	65.0	-	-
26-1/2"		65.0	65.0	-	-
36-3/4"		61.4	61.4	-	-
12"	24" (3)	65.0	65.0	58.0	58.0
18"		65.0	65.0	58.0	58.0
24"		65.0	65.0	58.0	58.0
30"		65.0	65.0	58.0	58.0
36"		65.0	65.0	58.0	58.0
12"	36" (3)	65.0	65.0	58.0	58.0
18"		65.0	65.0	58.0	58.0
24"		65.0	65.0	58.0	58.0
30"		65.0	65.0	58.0	58.0
36"		65.0	65.0	58.0	58.0
12"	48" (4)	65.0	65.0	58.0	58.0
18"		65.0	65.0	58.0	58.0
24"		65.0	65.0	58.0	58.0
30"		65.0	65.0	58.0	58.0
36"		65.0	65.0	58.0	58.0
12"	60" (5)	65.0	65.0	58.0	58.0
18"		65.0	65.0	58.0	58.0
24"		65.0	65.0	58.0	58.0
30"		65.0	65.0	58.0	58.0
36"		65.0	65.0	58.0	58.0
12"	72" (6)	65.0	65.0	58.0	58.0
18"		65.0	65.0	58.0	58.0
24"		65.0	65.0	58.0	58.0
30"		65.0	65.0	58.0	58.0
36"		65.0	65.0	58.0	58.0
12"	74-1/4" (7)	65.0	65.0	58.0	58.0
18"		65.0	65.0	58.0	58.0
24"		65.0	65.0	58.0	58.0
30"		65.0	65.0	58.0	58.0
36"		65.0	65.0	58.0	58.0
12"	76" (7)	65.0	65.0	58.0	58.0
18"		65.0	65.0	58.0	58.0
24"		65.0	65.0	58.0	58.0
30"		65.0	65.0	58.0	58.0
35-7/8"		62.8	62.8	54.7	54.7

() = NO. OF ANCHORS PER JAMB

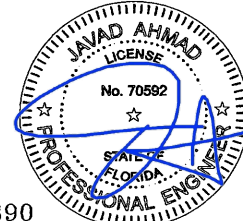
DESIGN LOAD CAPACITY - PSF FOR (XX) SIZES									
WINDOW DIMS.		CLUSTER OF 4 ANCHORS AT IMPOST LOCATION				CLUSTER OF 6 ANCHORS AT IMPOST LOCATION			
WINDOW DIMS.		GLASS TYPE 'F'		GLASS TYPE 'G'		GLASS TYPE 'F'		GLASS TYPE 'G'	
WIDTH	HEIGHT	EXT.(+)	INT.(-)	EXT.(+)	INT.(-)	EXT.(+)	INT.(-)	EXT.(+)	INT.(-)
37"	26" (3)	65.0	65.0	58.0	58.0	65.0	65.0	58.0	58.0
53-1/8"		65.0	65.0	58.0	58.0	65.0	65.0	58.0	58.0
74"		65.0	65.0	58.0	58.0	65.0	65.0	58.0	58.0
37"	38-3/8" (4)	65.0	65.0	58.0	58.0	65.0	65.0	58.0	58.0
53-1/8"		65.0	65.0	58.0	58.0	65.0	65.0	58.0	58.0
74"		65.0	65.0	58.0	58.0	65.0	65.0	58.0	58.0
37"	50-5/8" (5)	65.0	65.0	58.0	58.0	65.0	65.0	58.0	58.0
53-1/8"		65.0	65.0	58.0	58.0	65.0	65.0	58.0	58.0
74"		63.1	63.1	58.0	58.0	65.0	65.0	58.0	58.0
37"	63" (6)	65.0	65.0	58.0	58.0	65.0	65.0	58.0	58.0
53-1/8"		65.0	65.0	58.0	58.0	65.0	65.0	58.0	58.0
74"		50.7	50.7	50.7	50.7	65.0	65.0	58.0	58.0
37"	74-1/4" (7)	65.0	65.0	58.0	58.0	65.0	65.0	58.0	58.0
53-1/8"		59.9	59.9	58.0	58.0	65.0	65.0	58.0	58.0
74"		43.0	43.0	43.0	43.0	65.0	65.0	57.8	57.8
37"	76" (7)	65.0	65.0	-	-	65.0	65.0	58.0	58.0
53-1/8"		59.9	59.9	-	-	65.0	65.0	58.0	58.0
72-1/4"		43.0	43.0	-	-	61.5	61.5	57.8	57.8
24"	24" (3)	65.0	65.0	58.0	58.0	65.0	65.0	58.0	58.0
36"		65.0	65.0	58.0	58.0	65.0	65.0	58.0	58.0
48"		65.0	65.0	58.0	58.0	65.0	65.0	58.0	58.0
60"		65.0	65.0	58.0	58.0	65.0	65.0	58.0	58.0
72"		65.0	65.0	58.0	58.0	65.0	65.0	58.0	58.0
76"	65.0	65.0	58.0	58.0	65.0	65.0	58.0	58.0	
24"	36" (3)	65.0	65.0	58.0	58.0	65.0	65.0	58.0	58.0
36"		65.0	65.0	58.0	58.0	65.0	65.0	58.0	58.0
48"		65.0	65.0	58.0	58.0	65.0	65.0	58.0	58.0
60"		65.0	65.0	58.0	58.0	65.0	65.0	58.0	58.0
72"		65.0	65.0	58.0	58.0	65.0	65.0	58.0	58.0
76"	65.0	65.0	58.0	58.0	65.0	65.0	58.0	58.0	
24"	48" (4)	65.0	65.0	58.0	58.0	65.0	65.0	58.0	58.0
36"		65.0	65.0	58.0	58.0	65.0	65.0	58.0	58.0
48"		65.0	65.0	58.0	58.0	65.0	65.0	58.0	58.0
60"		65.0	65.0	58.0	58.0	65.0	65.0	58.0	58.0
72"		65.0	65.0	58.0	58.0	65.0	65.0	58.0	58.0
76"	64.8	64.8	58.0	58.0	65.0	65.0	58.0	58.0	
24"	60" (5)	65.0	65.0	58.0	58.0	65.0	65.0	58.0	58.0
36"		65.0	65.0	58.0	58.0	65.0	65.0	58.0	58.0
48"		65.0	65.0	58.0	58.0	65.0	65.0	58.0	58.0
60"		65.0	65.0	58.0	58.0	65.0	65.0	58.0	58.0
72"		65.0	65.0	58.0	58.0	65.0	65.0	58.0	58.0
76"	51.8	51.8	51.8	51.8	65.0	65.0	58.0	58.0	
24"	72" (6)	65.0	65.0	58.0	58.0	65.0	65.0	58.0	58.0
36"		65.0	65.0	58.0	58.0	65.0	65.0	58.0	58.0
48"		65.0	65.0	58.0	58.0	65.0	65.0	58.0	58.0
60"		54.7	54.7	54.7	54.7	65.0	65.0	58.0	58.0
72"		45.6	45.6	45.6	45.6	65.0	65.0	58.0	58.0
24"	76" (7)	65.0	65.0	58.0	58.0	65.0	65.0	58.0	58.0
36"		65.0	65.0	58.0	58.0	65.0	65.0	58.0	58.0
48"		64.8	64.8	58.0	58.0	65.0	65.0	58.0	58.0
60"		51.8	51.8	51.8	51.8	65.0	65.0	58.0	58.0
70-1/8"		43.2	43.2	43.2	43.2	65.0	65.0	54.7	54.7
72-1/4"	43.2	43.2	-	-	61.5	61.5	-	-	

() = NO. OF ANCHORS PER JAMB



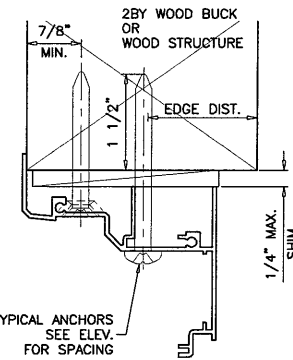
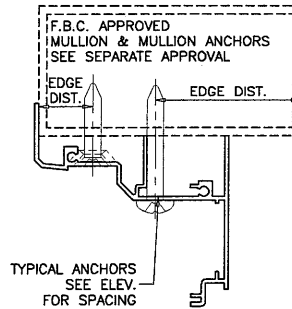
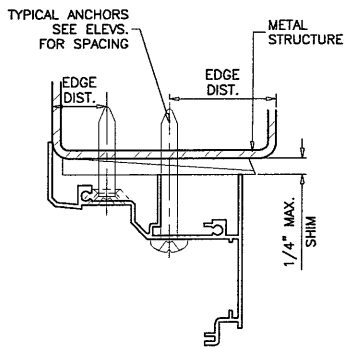
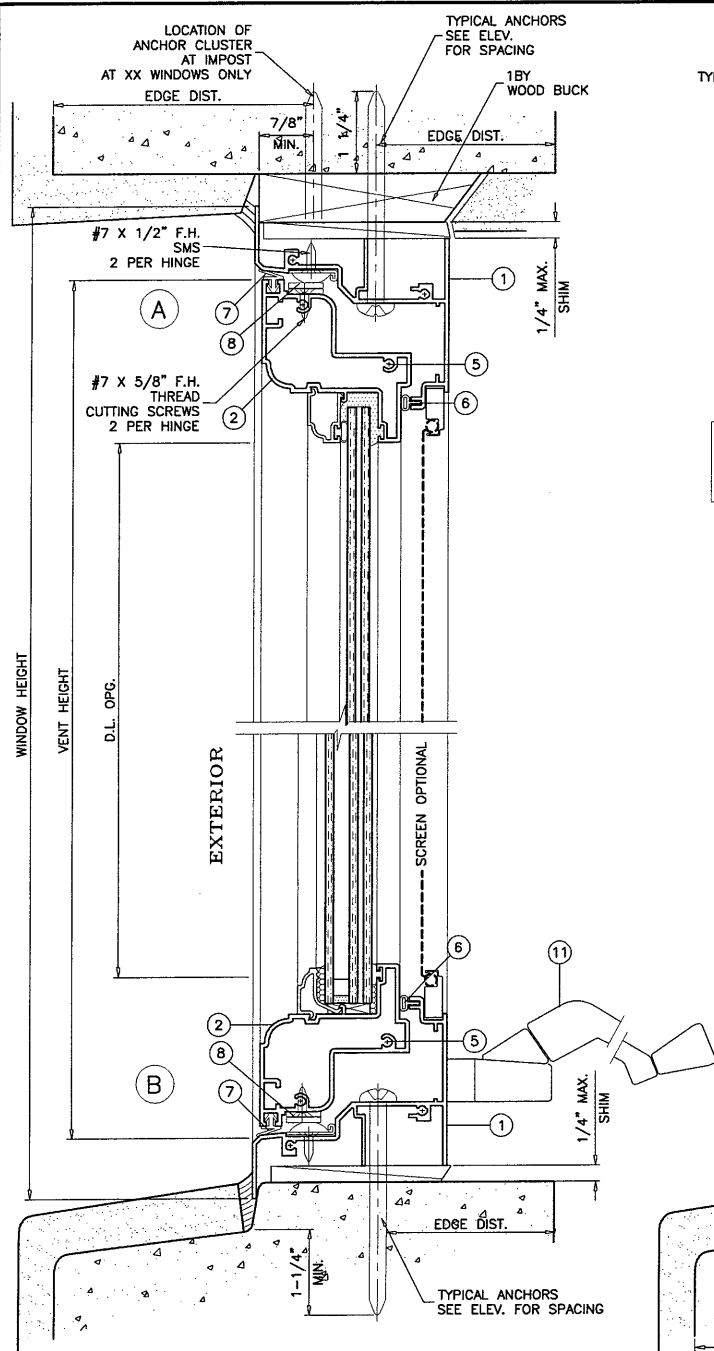
(S.M.I.)
EXTERIOR PLY OF GLASS TYPE 'G'
MUST BE TEMPERED TO QUALIFY FOR
SMALL MISSILE IMPACT RATING.

NOTE:
GLASS CAPACITIES ON THIS SHEET ARE
BASED ON ASTM E1300-09 (3 SEC. GUSTS)
AND FLORIDA BUILDING COMMISSION
DECLARATORY STATEMENT DCA05-DEC-219



FL #18390

af c	
AL-FAROOQ CORPORATION ENGINEERS & PRODUCT DEVELOPMENT 9360 SUNSET DRIVE, SUITE 250 MIAMI, FLORIDA 33173 TEL. (305) 264-8100 FAX. (305) 262-6978 COMP-ANL W15-57AMP	
SERIES-1400 IMPACTVIEW ALUM. CASEMENT WDW. (L.M.I.)	
AWP WINDOWS AND DOORS, LLC 8130 N.W. 74TH AVE. MEDLEY, FL. 33166 TEL. (305) 887-2646 FAX (305) 883-1309	
revisions:	no. date description
date:	08-21-15
scale:	1/2" = 1"
dr. by:	HAMID
chk. by:	
drawing no.	W15-57
sheet 3 of 7	



WOOD BUCKS AND METAL STRUCTURE NOT BY AWP WINDOWS MUST SUSTAIN LOADS IMPOSED BY GLAZING SYSTEM AND TRANSFER THEM TO THE BUILDING STRUCTURE.

TYPICAL ANCHORS: SEE ELEV. FOR SPACING

1/4" DIA. ULTRACON BY 'FLCO' ($F_u=177$ KSI, $F_y=155$ KSI)
 INTO 2BY WOOD BUCKS OR WOOD STRUCTURES
 1-1/2" MIN. PENETRATION INTO WOOD (HEAD/SILL/JAMBS)

THRU 1BY BUCKS INTO CONC. OR MASONRY
 1-1/4" MIN. EMBED INTO CONCRETE (HEAD/SILL)
 1-1/4" MIN. EMBED INTO CONC. OR MASONRY (JAMBS)

DIRECTLY INTO CONC. OR MASONRY
 1-1/4" MIN. EMBED INTO CONCRETE (HEAD/SILL)
 1-1/4" MIN. EMBED INTO CONC. OR MASONRY (JAMBS)

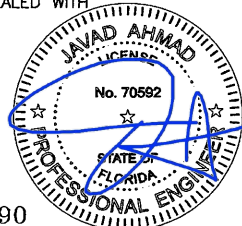
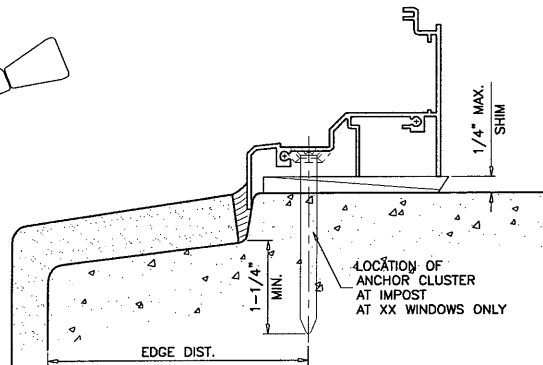
1/4" DIA. TEKS OR SELF DRILLING SCREWS (GRADE 5 CRS)
 INTO METAL STRUCTURES
 STEEL : 1/8" THK. MIN. ($F_y = 36$ KSI MIN.)
 ALUMINUM : 1/8" THK. MIN. (6063-T5 MIN.)
 (STEEL IN CONTACT WITH ALUMINUM TO BE PLATED OR PAINTED)

#12 SMS OR SELF DRILLING SCREWS (GRADE 2 CRS)
 INTO F.B.C. APPROVED MULLIONS (MIN. THK. = 1/8")
 (NO SHIM SPACE)

TYPICAL EDGE DISTANCE
 INTO CONCRETE AND MASONRY = 2-1/2" MIN.
 INTO WOOD STRUCTURE = 1" MIN. (UNLESS SPECIFIED OTHERWISE)
 INTO METAL STRUCTURE = 3/4" MIN.

WOOD AT HEAD, SILL OR JAMBS $SG = 0.55$ MIN.
 CONCRETE AT HEAD, SILL OR JAMBS $f'_c = 3000$ PSI MIN.
 C-90 HOLLOW/FILLED BLOCK AT JAMBS $f'_m = 2000$ PSI MIN.

SEALANTS:
 ALL JOINTS AND FRAME CONNECTIONS SEALED WITH SILICONE OR ACRYLIC SEALANT.



FL #18390

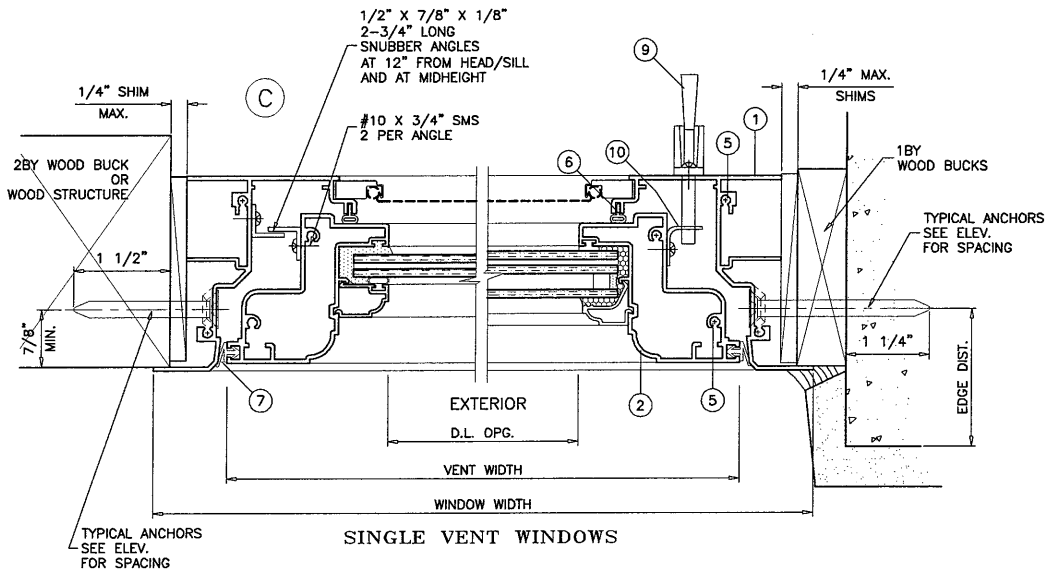
af c
AL-FAROOQ CORPORATION
 ENGINEERS & PRODUCT DEVELOPMENT
 9360 SUNSET DRIVE, SUITE 220
 MIAMI, FLORIDA 33173
 TEL. (305) 264-8100 FAX. (305) 262-6978
 COMP-ANI W15-57AWP

SERIES-1400 IMPACTIVE ALUM CASEMENT WDW. (L.M.I.)
AWP WINDOWS AND DOORS, LLC
 8130 N.W. 74TH AVE.
 MEDLEY, FL. 33166
 TEL. (305) 887-2646 FAX (305) 883-1309

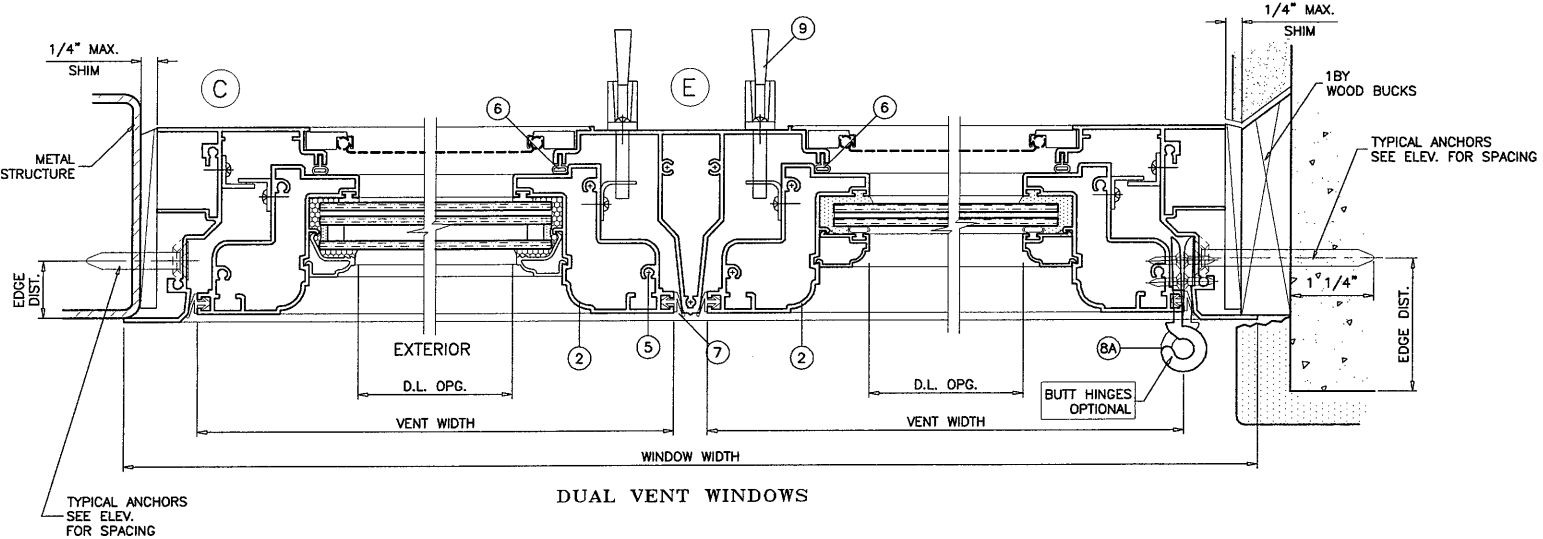
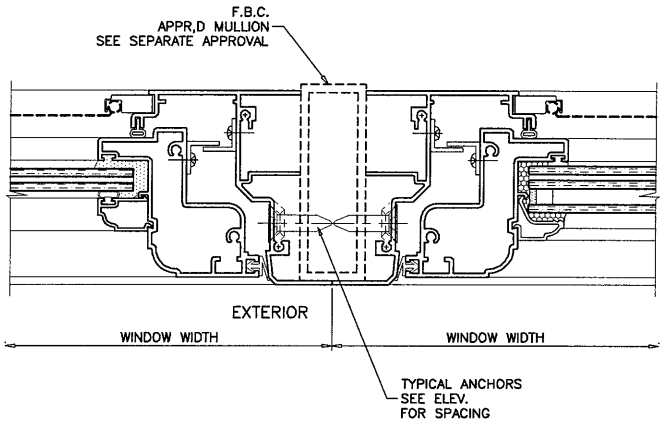
revisions:	no	date	by	description

date: 08-21-15
 scale: 1/2" = 1"
 dr. by: HAMID
 chk. by:

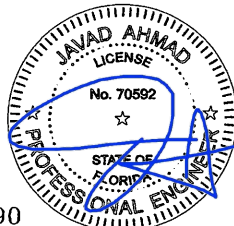
drawing no.
W15-57
 sheet 4 of 7



SINGLE VENT WINDOWS



DUAL VENT WINDOWS



FL #18390

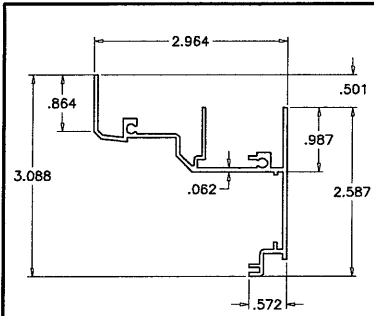
afc
AL-FAROOQ CORPORATION
 ENGINEERS & PRODUCT DEVELOPMENT
 9360 SUNSET DRIVE, SUITE 220
 MIAMI, FLORIDA 33173
 TEL. (305) 264-9100 FAX. (305) 262-8978
 COMP-ANL W15-57AWP

SERIES-1400 IMPACTVIEW ALUM CASEMENT WDW. (L.M.I.)
AWP WINDOWS AND DOORS, LLC
 8130 N.W. 74TH AVE.
 MEDLEY, FL. 331166
 TEL. (305) 887-2646 FAX (305) 885-1309

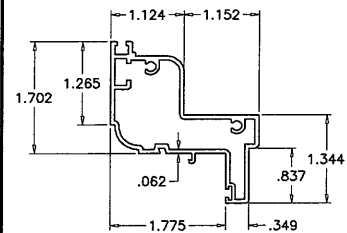
revisions:	no	date	by	description

date: 08-21-15
 scale: 1/2" = 1"
 dr. by: HAMID
 chk. by:

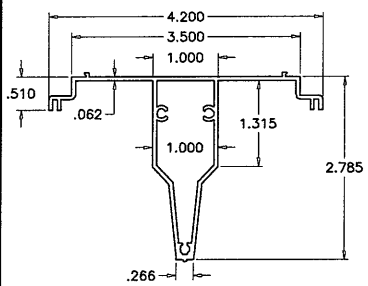
drawing no.
W15-57
 sheet 5 of 7



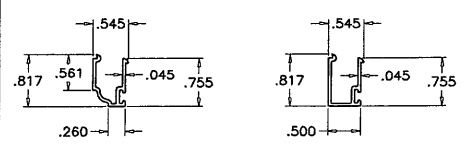
① FRAME



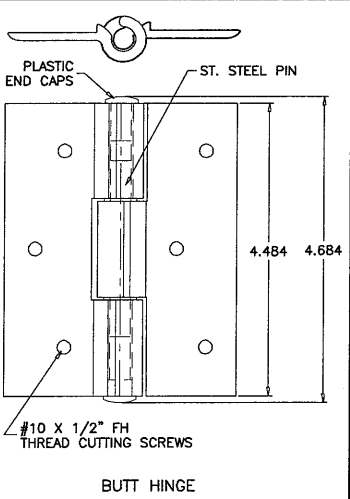
② VENT



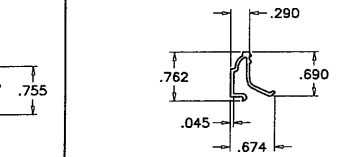
③ IMPOST



④ GLAZING BEADS (LAM. GLASS)



BUTT HINGE



④B GLAZING BEAD (INSUL. LAM. GLASS)

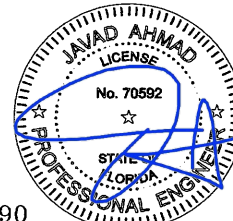
ITEM	PART #	QUANTITY	DESCRIPTION	MATERIAL	MANF./SUPPLIER/REMARKS
1	YE-1401	4	FRAME	6063-T5	-
2	YE-1402	4	VENT	6063-T5	-
3	YE-1404	1	CENTER POST	6063-T5	-
4	YE-1403	AS REQD.	GLAZING BEAD (LAM. GLASS)	6063-T5	-
4A	YE-1409	AS REQD.	ALT. GLAZING BEAD (LAM. GLASS)	6063-T5	-
4B	YE-45	AS REQD.	ALT. GLAZING BEAD (INSUL. LAM. GLASS)	6063-T5	-
5	#8 X 1"	AS REQD.	FRAME AND VENT ASSEMBLY SCREWS	-	-
6	YH-1409W	AS REQD.	BULB WEATHERSTRIPPING	VINYL	SULLIVAN & SULLIVAN
7	YH-920	AS REQD.	LEAF WEATHERSTRIPPING	VINYL	SULLIVAN & SULLIVAN
8	31858/31862	2/	VENT	STEEL	TRUTH
8A	YH-650	3/	VENT	-	ATTACHED W/ (6) #10 X 1/2" FH SCREWS
9	YH-1420	SEE ELEV.	FACE MOUNT LOCK	ZAMAK	TRUTH, AT 13-1/2" FROM BOT. & 17-1/2" FROM TOP
10	YH-1410	1/	LOCK	STEEL	YALE, AT 13-1/2" FROM BOT. & 17-1/2" FROM TOP
11	YH-1453	1/	VENT	ZAMAK/STL.	TRUTH, AT 12" FROM ENDS
12	YH-1411	1/	CORNER	-	YALE (7/8" X 2" X 1/8" X 2" LONG)
13	YH-1408	1/	CORNER	-	DECO
14	YH-1460	1/	CORNER	ALUMINUM	2-1/4" X 2-1/4" X 1-5/32" X 1/16"
15	YH-1622	AS REQD.	GLAZING GASKET (INSUL. LAM. GLASS)	VINYL	DUROMETER 70±5 SHORE A
16	YH-622	AS REQD.	GLAZING GASKET (LAM. GLASS)	VINYL	DUROMETER 70±5 SHORE A
17	-	AS REQD.	SETTING BLOCKS	EPDM	DUROMETER 80±5 SHORE A

af c
AL-FAROOQ CORPORATION
 ENGINEERS & PRODUCT DEVELOPMENT
 9360 SUNSET DRIVE, SUITE 220
 MIAMI, FLORIDA 33173
 TEL. (305) 264-8400 FAX. (305) 262-8978
 COMP-ANL W15-57AWP

SERIES-1400 IMPACTVIEW ALUM CASEMENT WDW. (L.M.I.)
AWP WINDOWS AND DOORS, LLC
 8130 N.W. 74TH AVE.
 MEDLEY, FL 33166
 TEL. (305) 887-2646 FAX (305) 883-1309

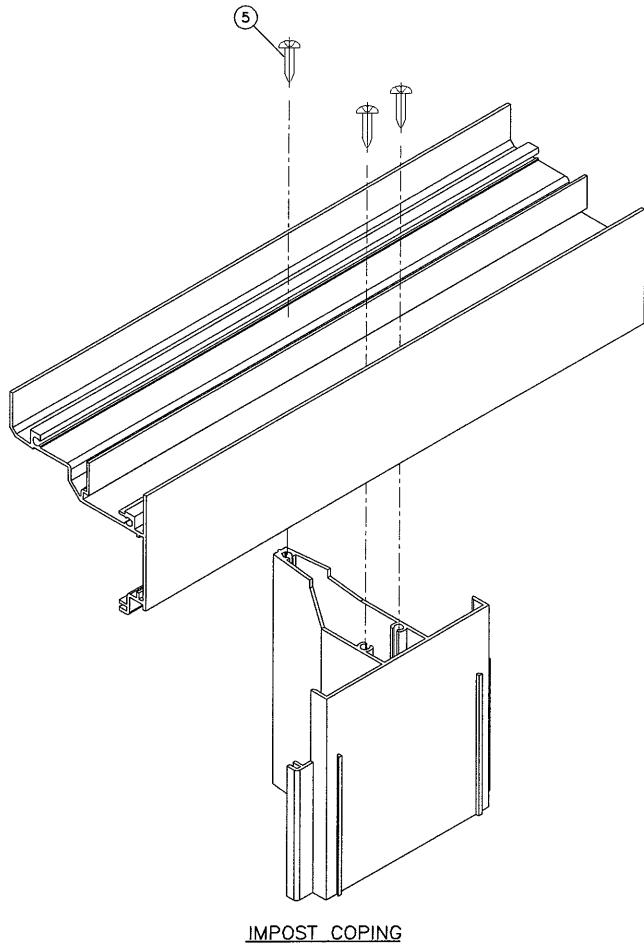
revisions:	no	date	by	description

date: 08-21-15
 scale: 1/2" = 1"
 dr. by: HAMID
 chk. by:

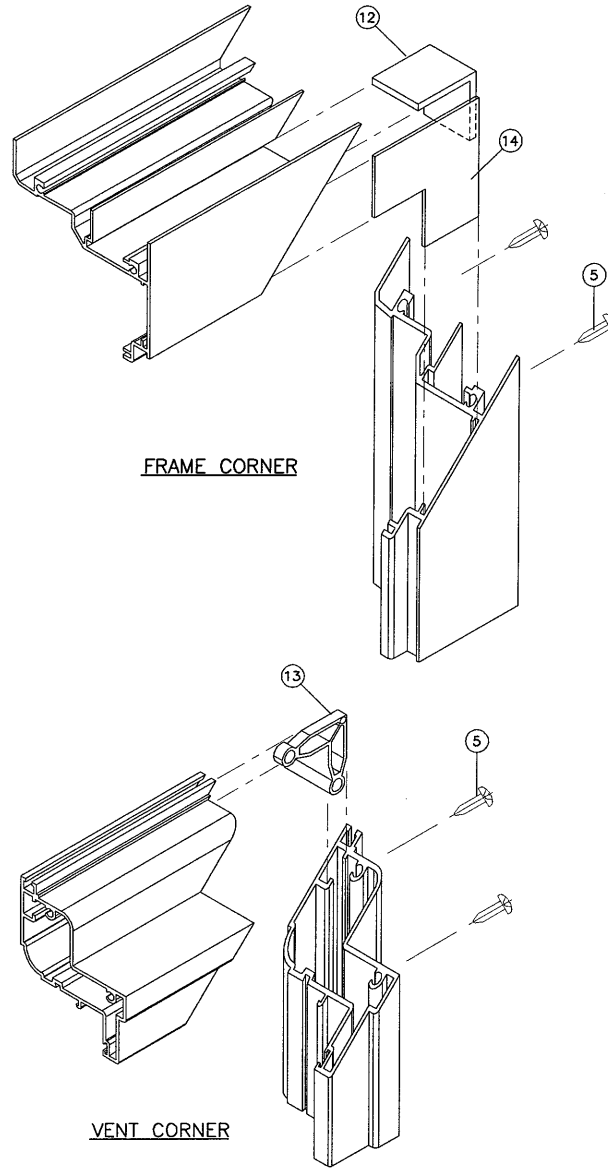


FL #18390

drawing no.
W15-57
 sheet 6 of 7

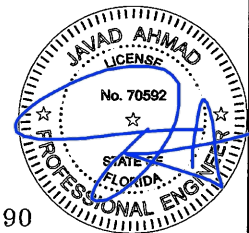


IMPOST COPING



FRAME CORNER

VENT CORNER



FL #18390

afc
AL-FAROOQ CORPORATION
 ENGINEERS & PRODUCT DEVELOPMENT
 9360 SUNSET DRIVE, SUITE 220
 MIAMI, FLORIDA 33173
 TEL. (305) 264-8100 FAX. (305) 262-6978
 COMP-ANL W15-57AWP

SERIES-1400 IMPACTVIEW ALUM CASEMENT W/DK. (L.M.I.)
AWP WINDOWS AND DOORS, LLC
 8130 N.W. 74TH AVE.
 MEDLEY, FL. 33166
 TEL. (305) 887-2646 FAX (305) 883-1309

no	date	by	description

date: 08-21-15
 scale: 1/2" = 1"
 dr. by: HAMID
 chk. by:

drawing no.
W15-57
 sheet 7 of 7