



**FLUSH GLAZED FIBERGLASS DOOR UNIT
8'-0" GLAZED DOUBLE DOOR WITH / WITHOUT SIDELITES**

GENERAL NOTES

- EVALUATED FOR USE IN LOCATIONS ADHERING TO THE FLORIDA BUILDING CODE AND WHERE PRESSURE REQUIREMENTS AS DETERMINED BY ASCE 7, MINIMUM DESIGN LOADS FOR BUILDINGS AND OTHER STRUCTURES, DOES NOT EXCEED THE DESIGN PRESSURES LISTED.
- WHEN INSTALLED IN THE HIGH VELOCITY HURRICANE ZONE (HVHZ), HURRICANE PROTECTIVE SYSTEM (SHUTTERS) IS REQUIRED.
- WHEN INSTALLED IN THE WIND-BORNE DEBRIS REGION, EXCLUDING THE HIGH VELOCITY HURRICANE ZONE (HVHZ), HURRICANE PROTECTIVE SYSTEM IS NOT REQUIRED ON PANELS WITH IMPACT GLASS, BUT IS REQUIRED ON PANELS WITH NON-IMPACT GLASS.
- POLYURETHANE CORE FLAME SPREAD INDEX OF 50 AND SMOKE DEVELOPED INDEX OF 60 PER ASTM E84. POLYSTYRENE CORE FLAME SPREAD INDEX OF 15 AND SMOKE DEVELOPED INDEX OF 115 PER ASTM E84.

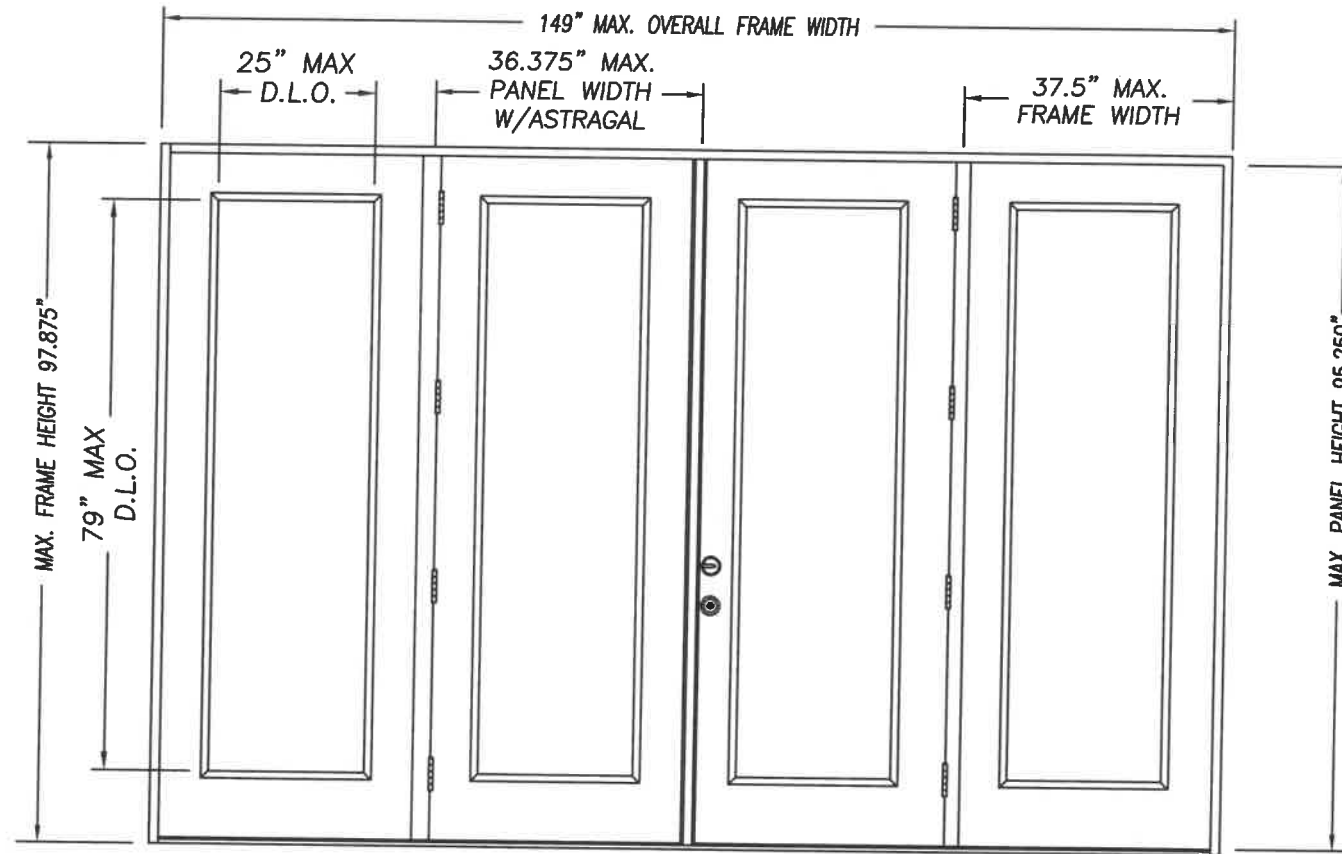
5. PLASTICS TESTING OF FIBERGLASS FACING:

TEST DESCRIPTION	DESIGNATION	RESULT
SELF IGNITION TEMP	ASTM D1929	752 °F > 650 °F
RATE OF BURNING	ASTM D635	0.56 IN/MIN
SMOKE DENSITY	ASTM D2843	53.4%
TENSILE STRENGTH*	ASTM D638	3.2% DIFF

6. PLASTICS TESTING OF LITE FRAME MATERIAL:

TEST DESCRIPTION	DESIGNATION	RESULT
SELF IGNITION TEMP	ASTM D1929	740 °F > 650 °F
RATE OF BURNING	ASTM D635	0.77 IN/MIN
SMOKE DENSITY	ASTM D2843	13.4%
TENSILE STRENGTH*	ASTM D638	-7.50% DIFF

* COMPARATIVE TENSILE STRENGTH AFTER WEATHERING 4500 HOURS XENON ARC METHOD 1



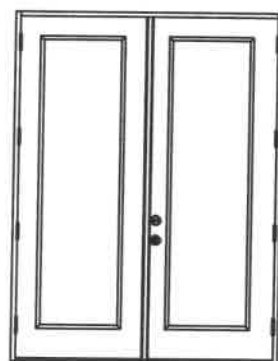
DOUBLE DOOR UNIT W/SIDELITES

Addendum to NAMI

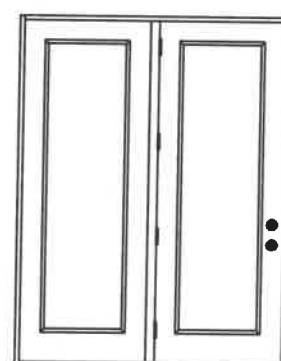
Certification No.: N1012729
Reviewed By: [Signature]
Date Reviewed: 12/1/17



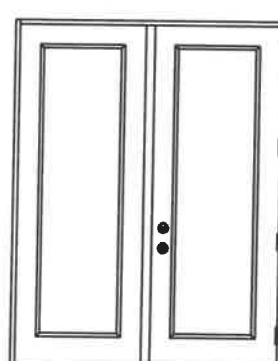
SINGLE DOOR UNIT



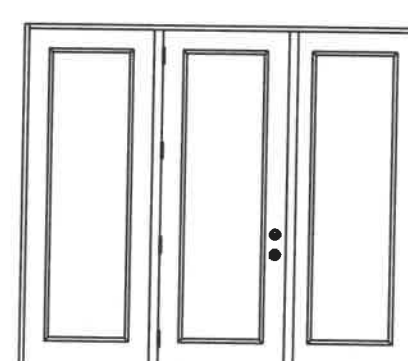
DOUBLE DOOR UNIT



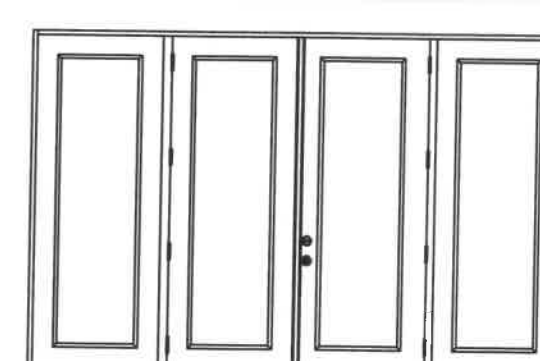
SINGLE DOOR UNIT WITH SIDELITE



SINGLE DOOR UNIT WITH SIDELITE



SINGLE DOOR UNIT W/SIDELITES



DOUBLE DOOR UNIT W/SIDELITES

PRODUCT: "EXTERIOR DOOR PRODUCT"
DOUBLE 8'0" GLAZED FIBERGLASS DOOR

PART OR ASSEMBLY:
TYPICAL ELEVATIONS & GENERAL NOTES

A NO.	DATE	MISC UPDATES	SWS BY
	12/1/17		

DATE: 8/10/15
SCALE: N.T.S.
DWG. BY: SWS
CHK. BY:
DRAWING NO.:
DWG-MA-FL0183-15
SHEET 1 OF 4

MASONITE INTERNATIONAL CORP.
1955 POWIS ROAD
WEST CHICAGO, IL 60185

REVISIONS

TABLE OF CONTENTS

SHEET #	DESCRIPTION
1	TYPICAL ELEVATIONS & GENERAL NOTES
2	ANCHORING LOCATIONS & DETAILS
3	ANCHORING LOCATIONS & DETAILS
4	ANCHORING LOCATIONS & DETAILS

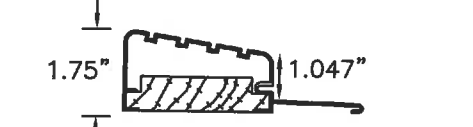
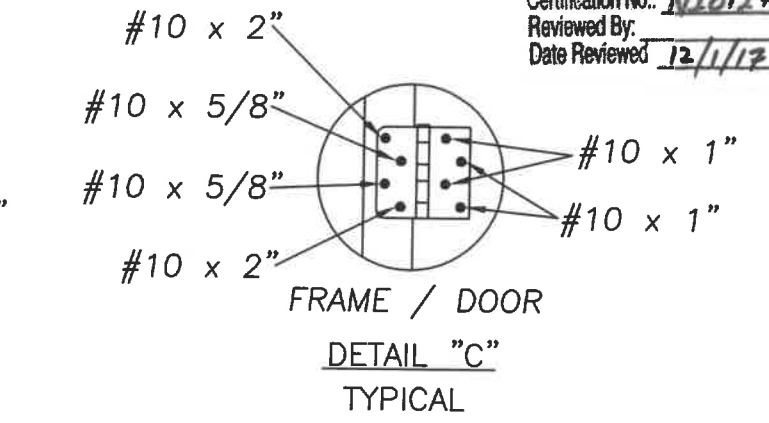
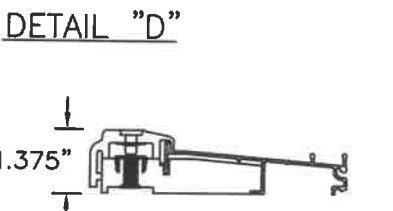
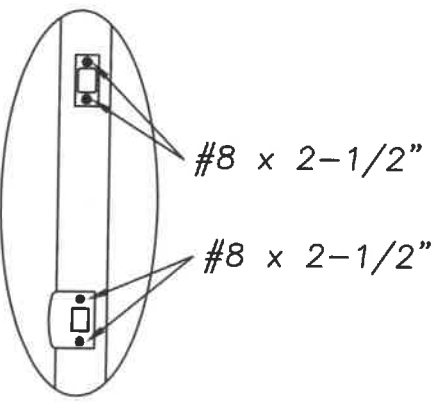
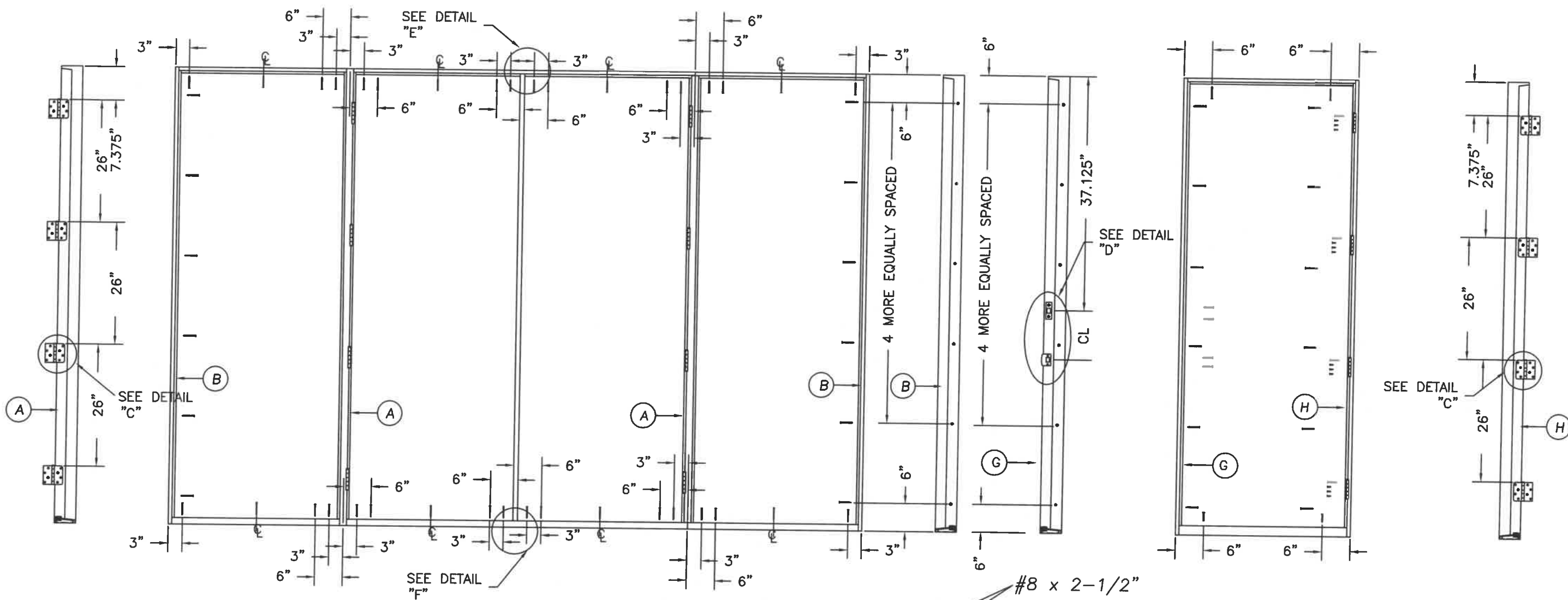
CONFIG	MAX WIDTH	DESIGN PRESSURE RATING		WHERE WATER INFILTRATION PERFORMANCE IS REQUIRED TO BE 15% OF DESIGN PRESSURE		
		INSWING	OUTSWING	BUMPER O/S	Z-SERIES O/S	HI DAM O/S
X	37.5"	+45.0 / -47.0	+47.0 / -47.0	+35.0 / -35.0	+40.0 / -40.0	+47.0 / -47.0
XX	74"	+45.0 / -47.0	+47.0 / -47.0	+35.0 / -35.0	+40.0 / -40.0	+47.0 / -47.0
OX or XO	75"	+45.0 / -47.0	+47.0 / -47.0	+35.0 / -35.0	+40.0 / -40.0	+47.0 / -47.0
OXO	112.5"	+45.0 / -47.0	+47.0 / -47.0	+35.0 / -35.0	+40.0 / -40.0	+47.0 / -47.0
OXXO	149"	+45.0 / -47.0	+47.0 / -47.0	+35.0 / -35.0	+40.0 / -40.0	+47.0 / -47.0

[Handwritten initials]

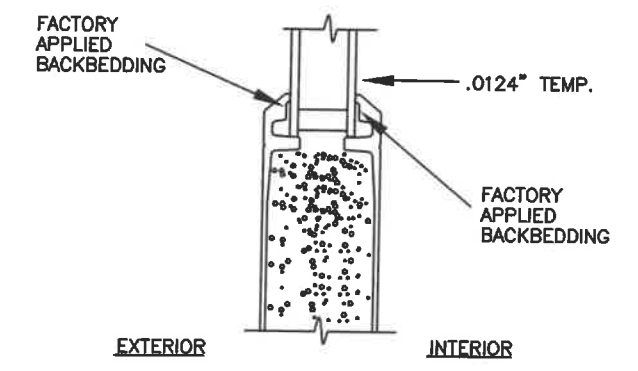
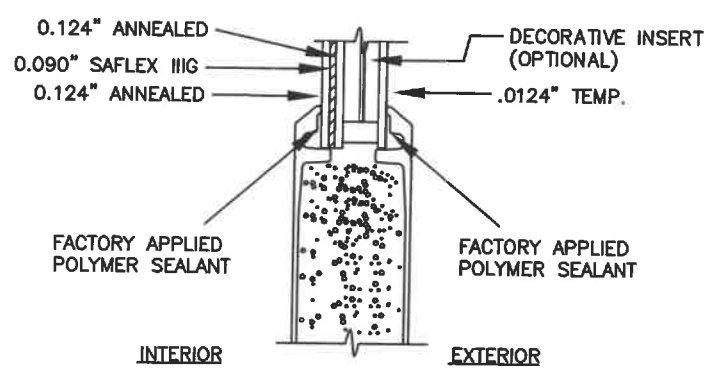
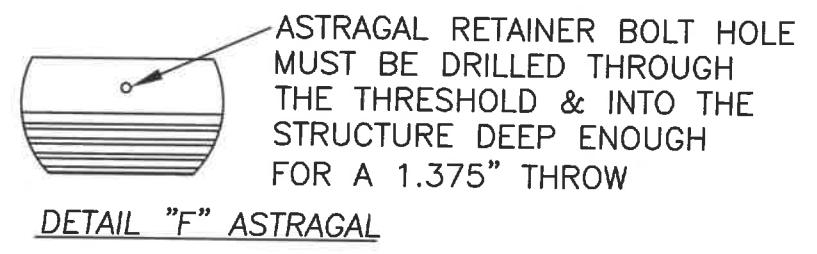
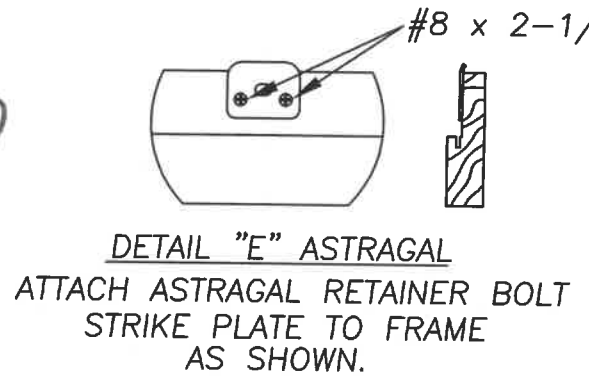
KURT BALTHAZOR
FLORIDA P.E.
#56533

MASONITE INTERNATIONAL CORP.
 1955 POWIS ROAD
 WEST CHICAGO, IL 60185

PRODUCT: "EXTERIOR DOOR PRODUCT"
 8'0" FIBERGLASS GLAZED
 DOUBLE DOOR UNIT
 PART OR ASSEMBLY:
 ANCHORING LOCATIONS
 & DETAILS

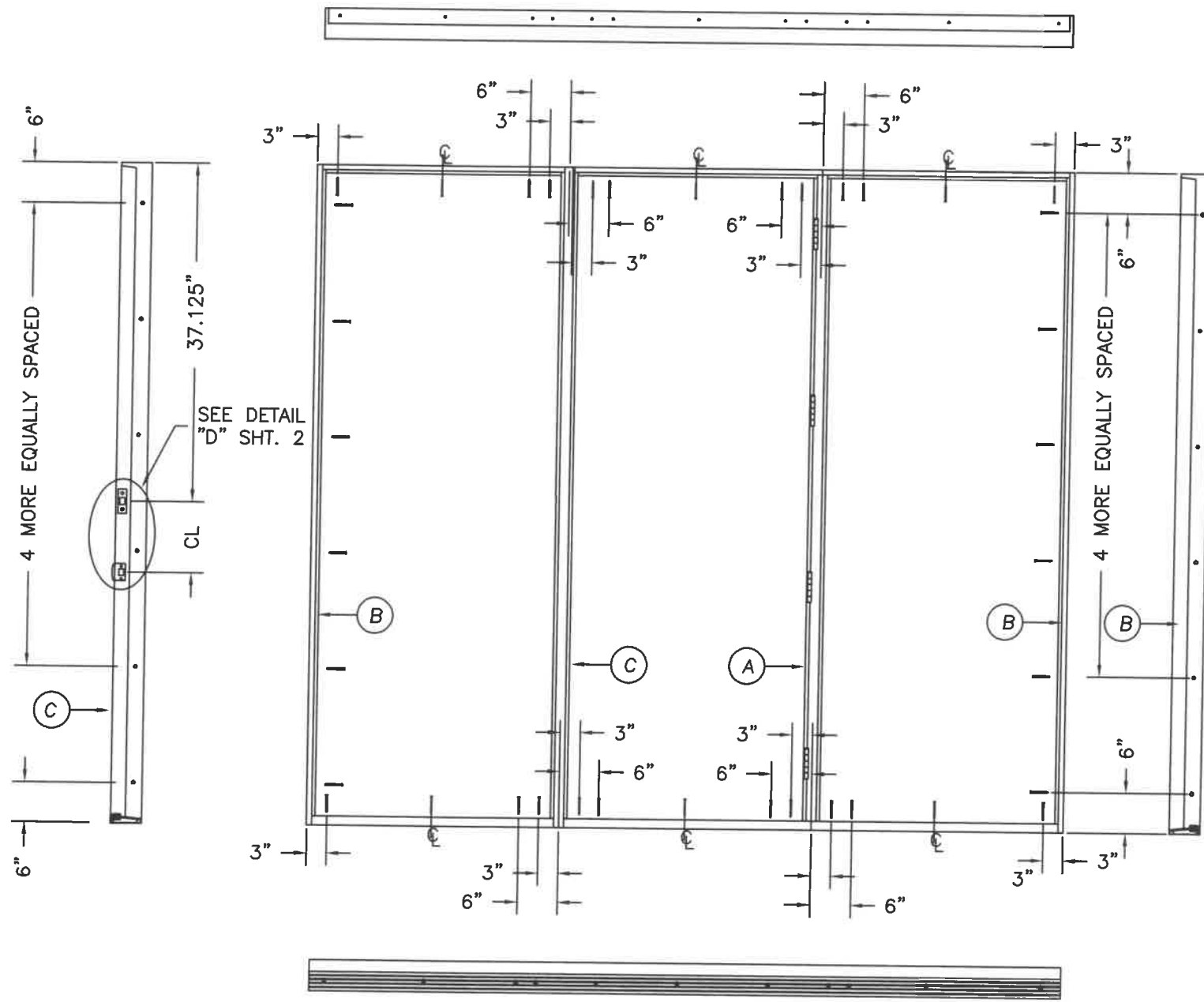
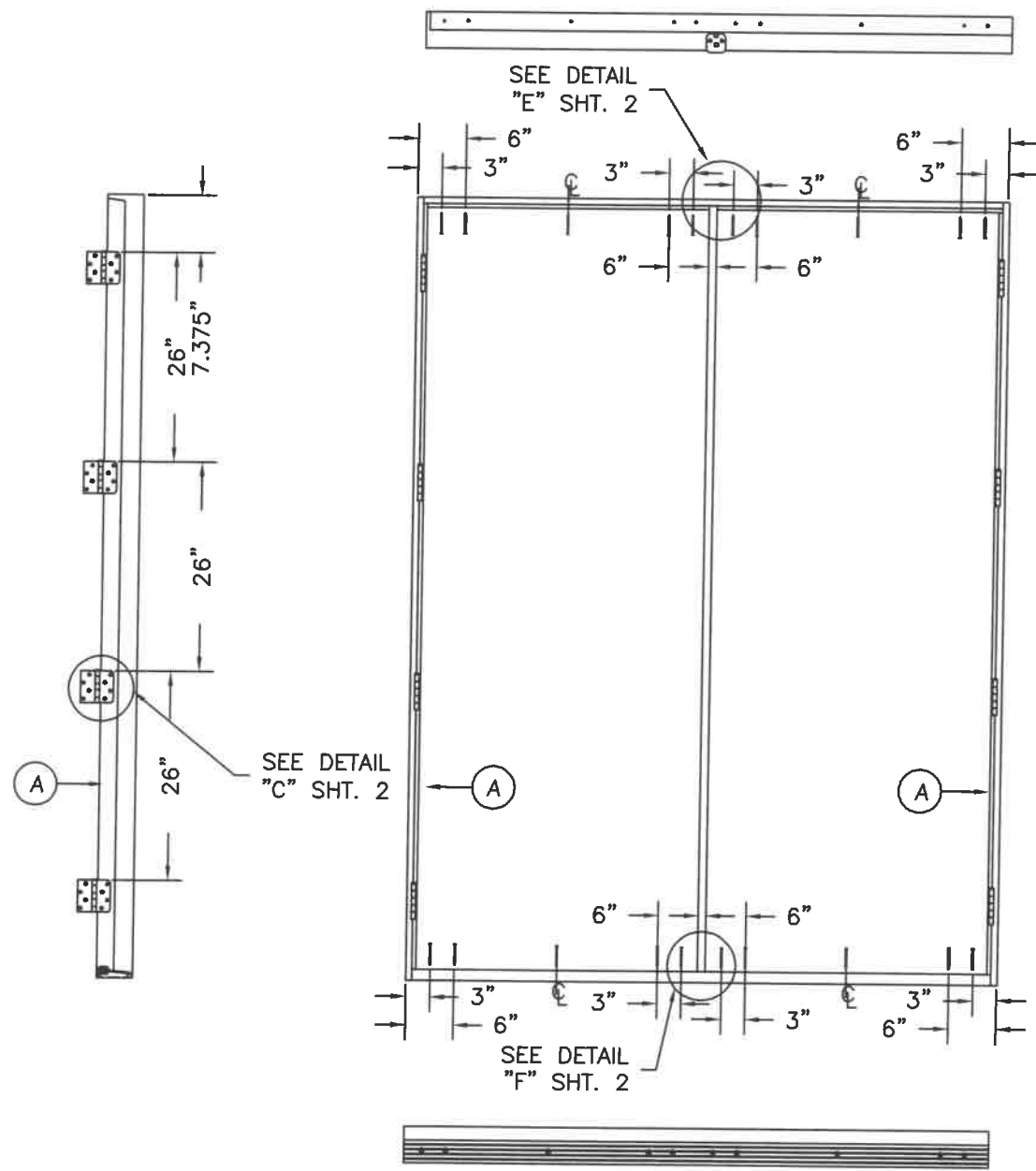


Addendum to NAMI
 Certification No.: NZ012729
 Reviewed By: *[Signature]*
 Date Reviewed: 12/1/17



REVISIONS		DATE	MISC UPDATES	SWS	BY
NO.	DATE				
A	12/1/17				

DATE: 8/10/15
 SCALE: N.T.S.
 DWG. BY: SWS
 CHK. BY:
 DRAWING NO.:
 DWG-MA-FL0183-15
 SHEET 2 OF 4

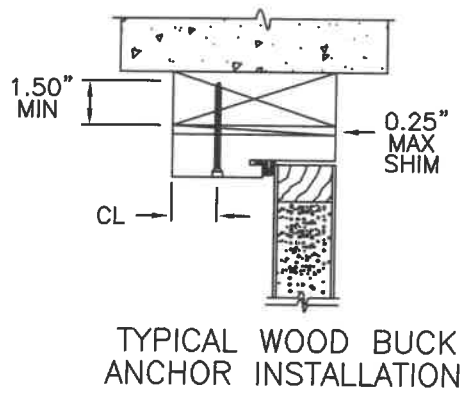
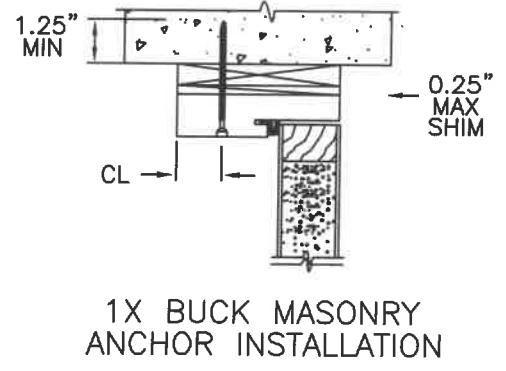
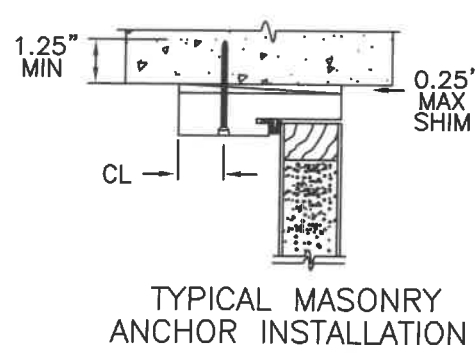


Addendum to NAMI
 Certification No.: N1012729
 Reviewed By: [Signature]
 Date Reviewed: 12/1/17

PRODUCT: "EXTERIOR DOOR PRODUCT" 8'0" FIBERGLASS GLAZED DOUBLE DOOR UNIT		PART OR ASSEMBLY: ANCHORING LOCATIONS & DETAILS	
DATE:	8/10/15	REVISIONS	
SCALE:	N.T.S.		
DWG. BY:	SWS		
CHK. BY:			
DRAWING NO.:	DWG-MA-FLO183-15		
SHEET	3 OF 4		
A	12/1/17	MISC UPDATES	SWS
NO.	DATE		BY

MASONITE INTERNATIONAL CORP.
 1955 POWIS RD.
 WEST CHICAGO, IL 60185

PRODUCT: "EXTERIOR DOOR PRODUCT"
8'0" FIBERGLASS GLAZED
DOUBLE DOOR UNIT
PART OR ASSEMBLY:
ANCHORING LOCATIONS
& DETAILS



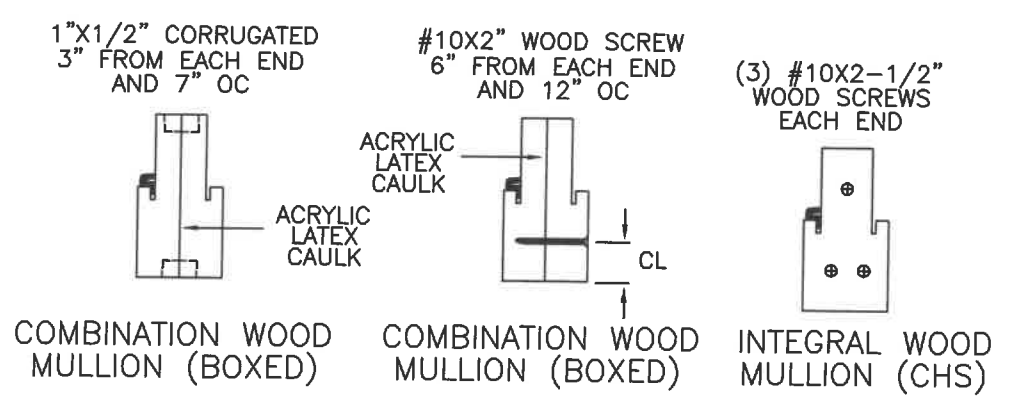
Addendum to NAMI
Certification No. N1012729
Reviewed By: [Signature]
Date Reviewed 12/1/17

ATTACHMENT DETAIL

- ANCHOR ANALYSIS FOR LOADING CONDITIONS PREPARED, SIGNED AND SEALED BY ROBERTO LOMAS, PE (FLORIDA #62514) WITH THE LOWEST (LEAST) FASTENER RATING FROM THE DIFFERENT FASTENERS BEING CONSIDERED FOR USE. JAMB, HEAD, AND THRESHOLD FASTENERS ANALYZED FOR THIS UNIT INCLUDE #10 WOOD SCREWS, 1/4" TAPCONS, AND #10 TEK SCREWS. A PHYSICAL SHIM MUST BE PLACED IN SHIM SPACE AT EACH ANCHOR LOCATION. TAPCON EDGE DISTANCE MIN 2-1/2". WOOD SCREW EDGE DISTANCE MIN 3/4". TEK SCREW EDGE DISTANCE MIN 1/2".
- ANCHORING INTO STEEL STRUCTURE MUST BE SUFFICIENT TO ACHIEVE 3 THREADS MINIMUM BEYOND STEEL INTERIOR SURFACE.
- THE WOOD SCREW SINGLE SHEAR DESIGN VALUES COME FROM ANSI/AF&PA NDA FOR SOUTHERN PINE LUMBER AND ACHIEVEMENT OF 1-1/2" MINIMUM EMBEDMENT. THE TAPCON MUST ACHIEVE MINIMUM EMBEDMENT OF 1-1/4".
- WOOD BUCKS BY OTHERS MUST BE ANCHORED PROPERLY TO TRANSFER LOADS TO STRUCTURE.
- MINIMUM DESIGN VALUE STRENGTH OF ANCHORS 155 LBS.

HARDWARE SCHEDULE

1.	KWIKSET SERIES 400 GRADE 3 CYLINDRICAL LATCH AND SERIES 980 GRADE 1 DEADLOCK HARDWARE TO BE INSTALLED AT 10-1/2" CENTERLINE.
2.	4" X 4" FULL MORTISE BUTT HINGES.



NO.	DATE	MISC UPDATES	REVISIONS	
			SWS	BY
A	12/1/17			

DATE: 8/10/15
SCALE: N.T.S.
DWG. BY: SWS
CHK. BY:
DRAWING NO.: DWG-MA-FL0183-15
SHEET 4 OF 4