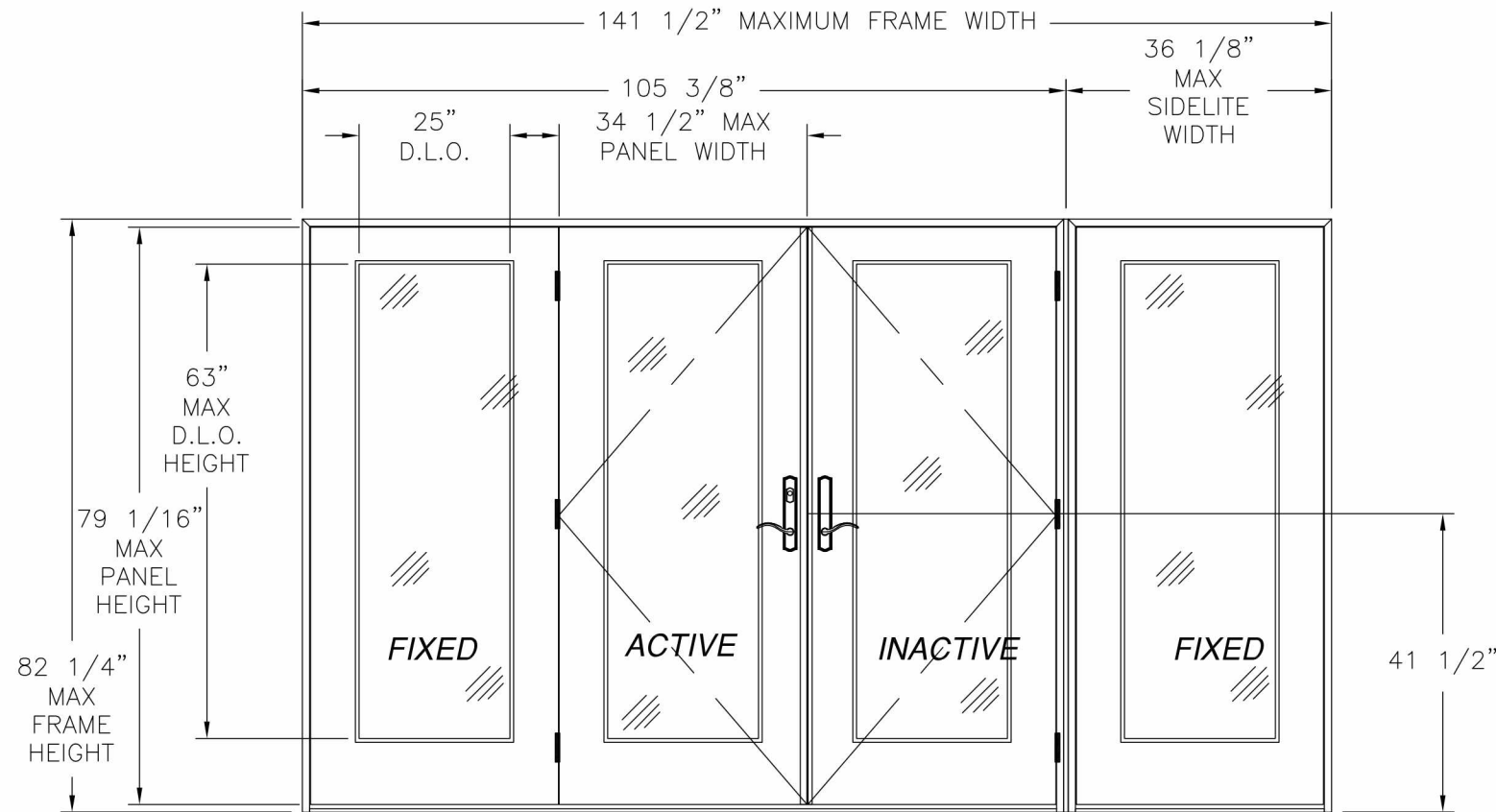


REVISIONS			
REV	DESCRIPTION	DATE	APPROVED



***IN-SWING DOUBLE DOOR W/ SIDELITES***  
EXTERIOR VIEW

DESIGN PRESSURE RATING	IMPACT RATING
±60.0PSF	NONE

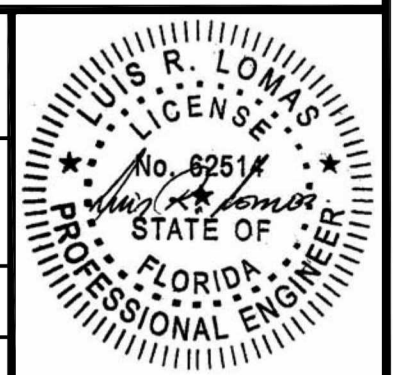
**NOTES:**

1. THE PRODUCT SHOWN HEREIN IS DESIGNED AND MANUFACTURED TO COMPLY WITH REQUIREMENTS OF THE FLORIDA BUILDING CODE.
2. WOOD FRAMING AND MASONRY OPENING TO BE DESIGNED AND ANCHORED TO PROPERLY TRANSFER ALL LOADS TO STRUCTURE. FRAMING AND MASONRY OPENING IS THE RESPONSIBILITY OF THE ARCHITECT OR ENGINEER OF RECORD.
3. 1X BUCK OVER MASONRY/CONCRETE IS OPTIONAL. WHERE 1X BUCK IS NOT USED DISSIMILAR MATERIALS MUST BE SEPARATED WITH APPROVED COATING OR MEMBRANE. SELECTION OF COATING OR MEMBRANE IS THE RESPONSIBILITY OF THE ARCHITECT OR ENGINEER OF RECORD.
4. UNITS MUST BE GLAZED PER ASTM E1300-04, WITH SAFETY GLAZING.
5. APPROVED IMPACT PROTECTIVE SYSTEM IS REQUIRED FOR THIS PRODUCT IN WIND BORNE DEBRIS REGIONS.
6. FRAME JAMB AND HEAD MATERIAL: CO-EXTRUDED PVC FOAM 1 1/2" THICK.
7. FRAME SILL MATERIAL: CO-EXTRUDED PVC FOAM 2" THICK WITH ALUMINUM CLADDING .063" THICK.
8. DOOR PANEL AND SIDELITE MATERIAL: .075" THICK FIBERGLASS SKIN WITH PVC FOAM TOP AND BOTTOM RAILS, AND PVC FOAM VERTICAL STILES WITH PINE REINFORCEMENTS AND POLYURETHANE FOAM CORE.
9. APPROVED CONFIGURATIONS: X, OX, XO, X/O, O/X, XX, XXO, OXX, O/XX, XX/O, O/XXO AND OXX/O. SEE SHEET 2.
10. HINGES LOCATED AT 8 3/4", 39 1/2", AND 71 3/8" FROM TOP OF PANEL
11. SIDELITES ARE ASSEMBLED TO FRAME WITH #10X2 1/2" WOOD SCREWS LOCATED 4" FROM EACH END AND 18 1/2" MAX O.C. THEREAFTER AT JAMBS AND 4" FROM EACH END AND ONE AT MIDSPAN AT HEAD AND SILL.

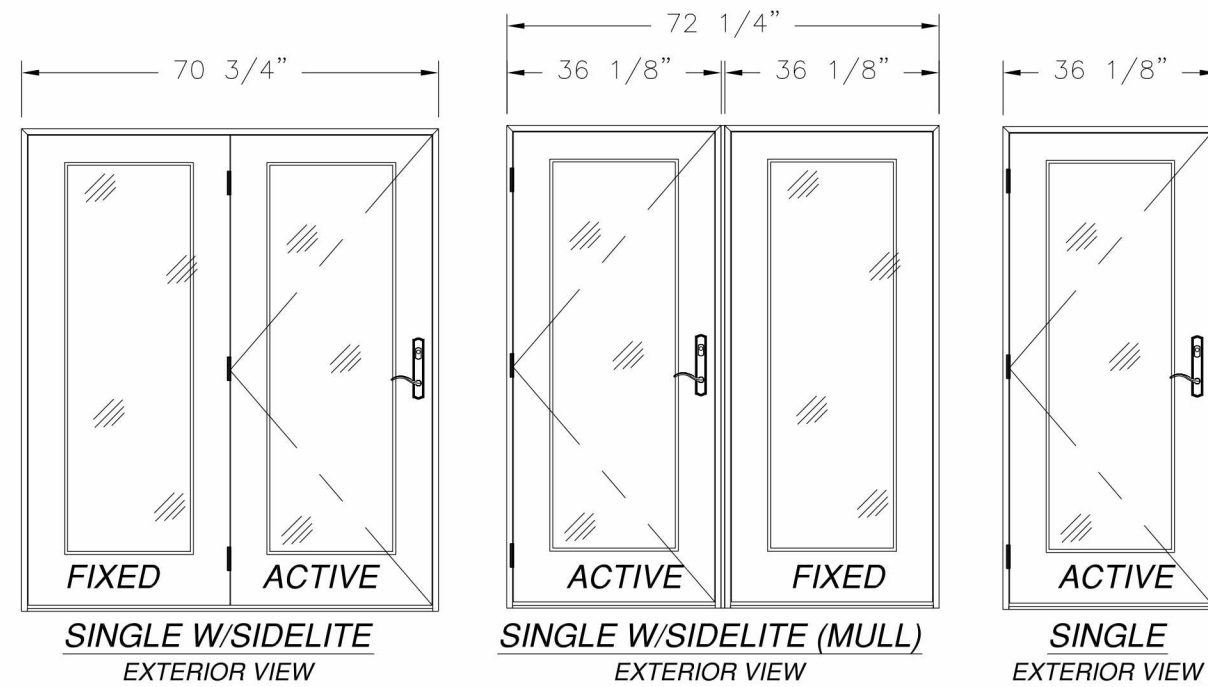
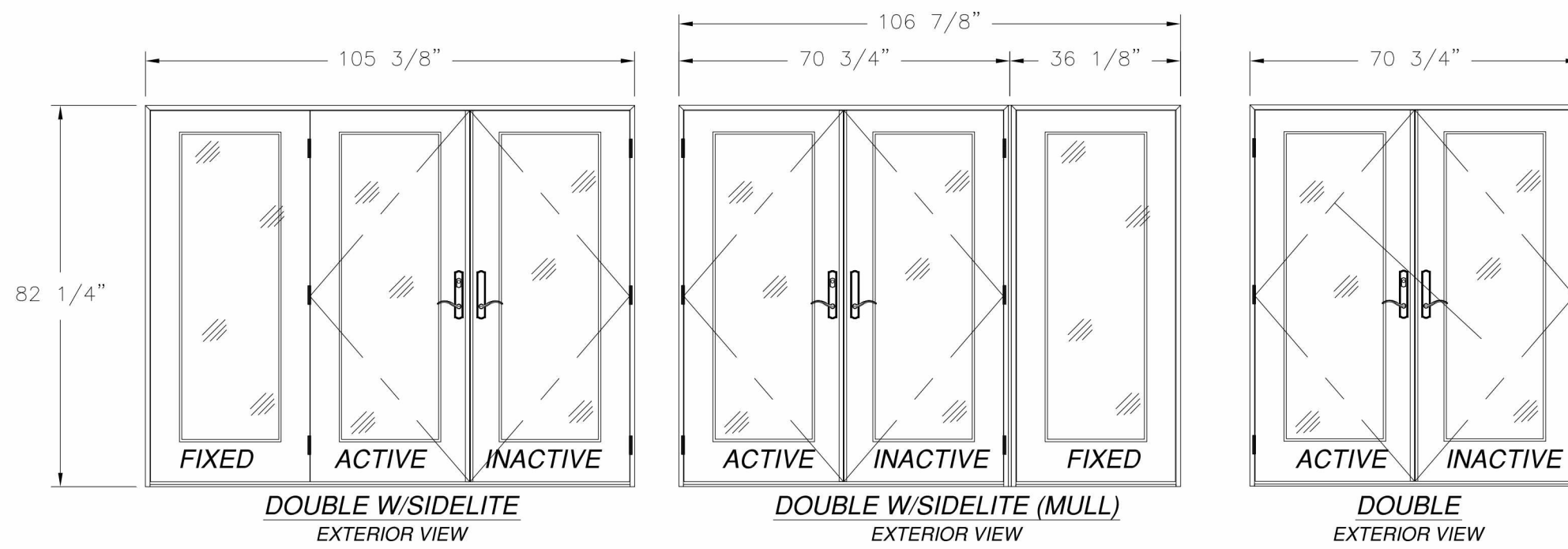
SIGNED: 08/27/2015

TABLE OF CONTENTS	
SHEET NO.	DESCRIPTION
1	ELEVATION AND NOTES
2	ADDITIONAL CONFIGURATIONS AND HARDWARE
3 - 4	ANCHORING LAYOUTS
5 - 9	INSTALLATION DETAILS

<b>NAN YA PLASTICS CORP. USA</b> 8989 NORTH LOOP EAST HOUSTON, TX 77029		
SERIES SLPS IN-SWING GLAZED FIBERGLASS SIDE-HINGED PATIO DOOR 6'11 NON-IMPACT OXXO ELEVATION AND NOTES		
DRAWN: V.L.	DWG NO. 08-02756	REV -
SCALE NTS	DATE 08/27/2015	SHEET 1 OF 9



REVISIONS			
REV	DESCRIPTION	DATE	APPROVED



HARDWARE SCHEDULE	
A.	2 POINT LOCK BY NINGBO MICOTA (INACTIVE PANEL)
B.	3 POINT LOCK BY NINGBO MICOTA (ACTIVE PANEL)
C.	(4) 4"x4" BUTT HINGES BY WENZHOU LONGTAI (PER PANEL)
D.	ALUMINUM & PVC FOAM ASTRAGAL BY NAN YA PLASTICS
E.	ALUMINUM & PVC FOAM MULLION BY NAN YA PLASTICS

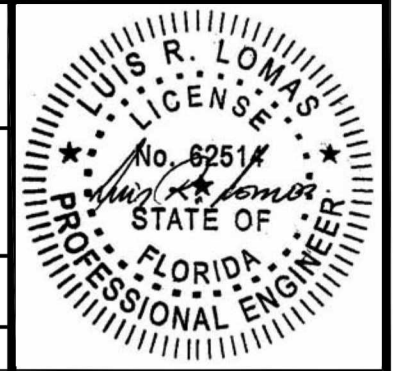
NOTE:  
ALL APPROVED CONFIGURATIONS ARE SHOWN AS LEFT HAND ACTIVE, RIGHT HAND ACTIVE IS ALSO APPROVED.

NAN YA PLASTICS CORP. USA  
8989 NORTH LOOP EAST  
HOUSTON, TX 77029

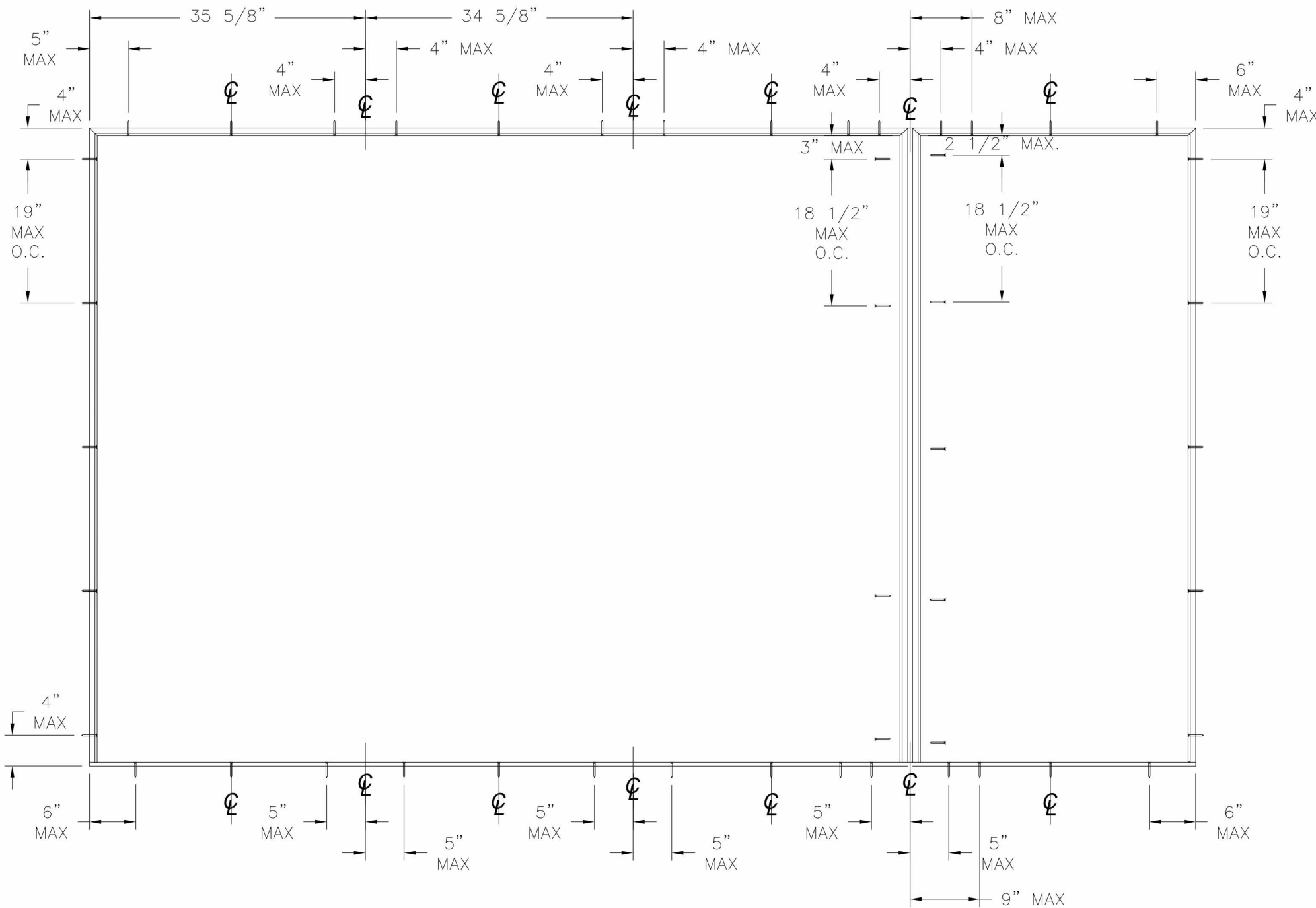
SERIES SLPS IN-SWING GLAZED FIBERGLASS  
SIDE-HINGED PATIO DOOR 6'11 NON-IMPACT  
ADDITIONAL CONFIGURATIONS AND HARDWARE

DRAWN: V.L.	DWG NO. 08-02756	REV -
SCALE NTS	DATE 08/27/2015	SHEET 2 OF 9

SIGNED: 08/27/2015



REVISIONS			
REV	DESCRIPTION	DATE	APPROVED



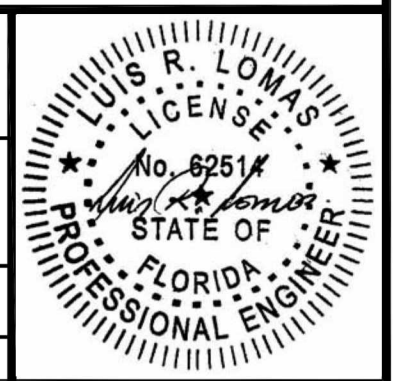
ANCHORING NOTES:

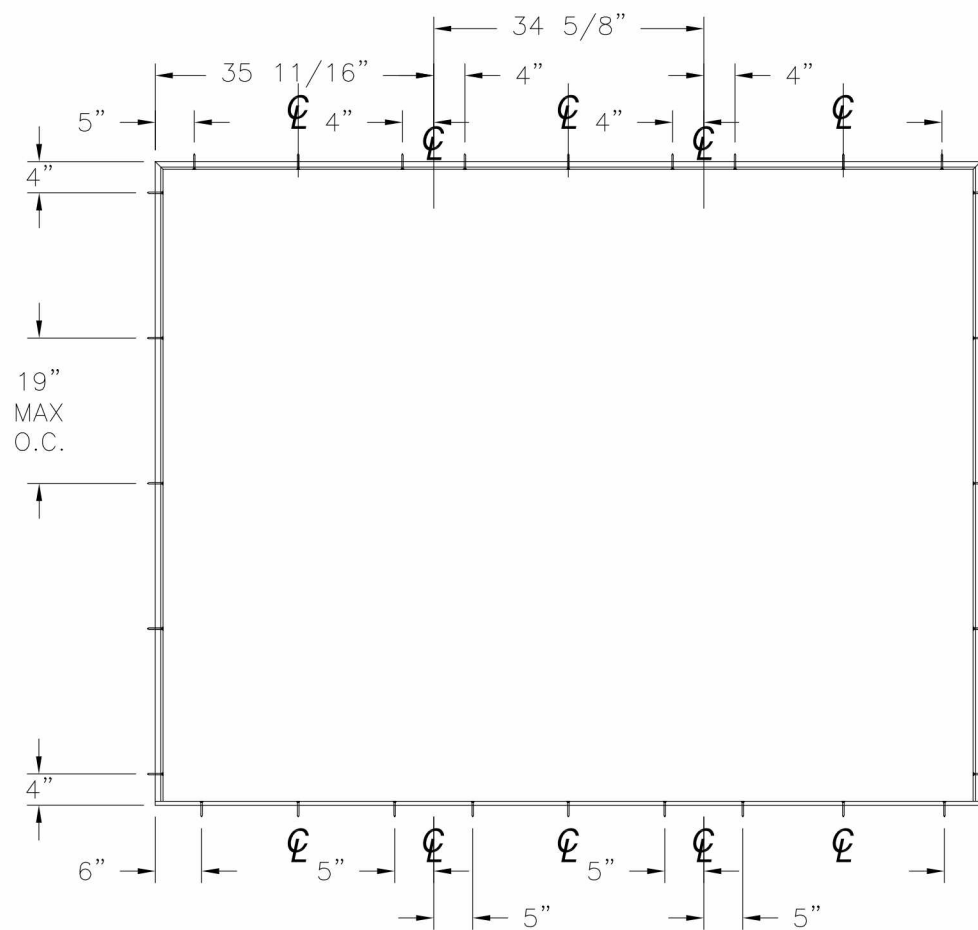
- 1) SHIM AS REQUIRED AT EACH INSTALLATION ANCHOR WITH LOAD BEARING SHIM. SHIM WHERE SPACE OF 1/16" OR GREATER OCCURS. MAXIMUM ALLOWABLE SHIM STACK TO BE 1/4".
- 2) FOR ANCHORING INTO MASONRY/CONCRETE USE 1/4" TAPCON OF SUFFICIENT LENGTH TO ACHIEVE A 1 1/4" MINIMUM EMBEDMENT INTO SUBSTRATE. LOCATE ANCHORS AS SHOWN IN ANCHORING LAYOUT AND INSTALLATION DETAILS.
- 3) FOR ANCHORING INTO 2X BUCK OR WOOD FRAMING USE #10 WOOD SCREW OF SUFFICIENT LENGTH TO ACHIEVE A 1 3/8" MINIMUM EMBEDMENT INTO SUBSTRATE. LOCATE ANCHORS AS SHOWN IN ANCHORING LAYOUT AND INSTALLATION DETAILS.
- 4) ALL FASTENERS TO BE CORROSION RESISTANT.
- 5) INSTALLATION ANCHORS SHALL BE INSTALLED IN ACCORDANCE WITH ANCHOR MANUFACTURER'S INSTALLATION INSTRUCTIONS, AND ANCHORS SHALL NOT BE USED IN SUBSTRATES WITH STRENGTHS LESS THAN THE MINIMUM STRENGTH SPECIFIED BELOW:
  - A. WOOD – MINIMUM SPECIFIC GRAVITY OF G=0.42
  - B. CONCRETE – MINIMUM COMPRESSIVE STRENGTH OF 3,200 PSI.
  - C. MASONRY – STRENGTH CONFORMANCE TO ASTM C-90, GRADE N, TYPE 1 (OR GREATER).

ANCHORING LAYOUT

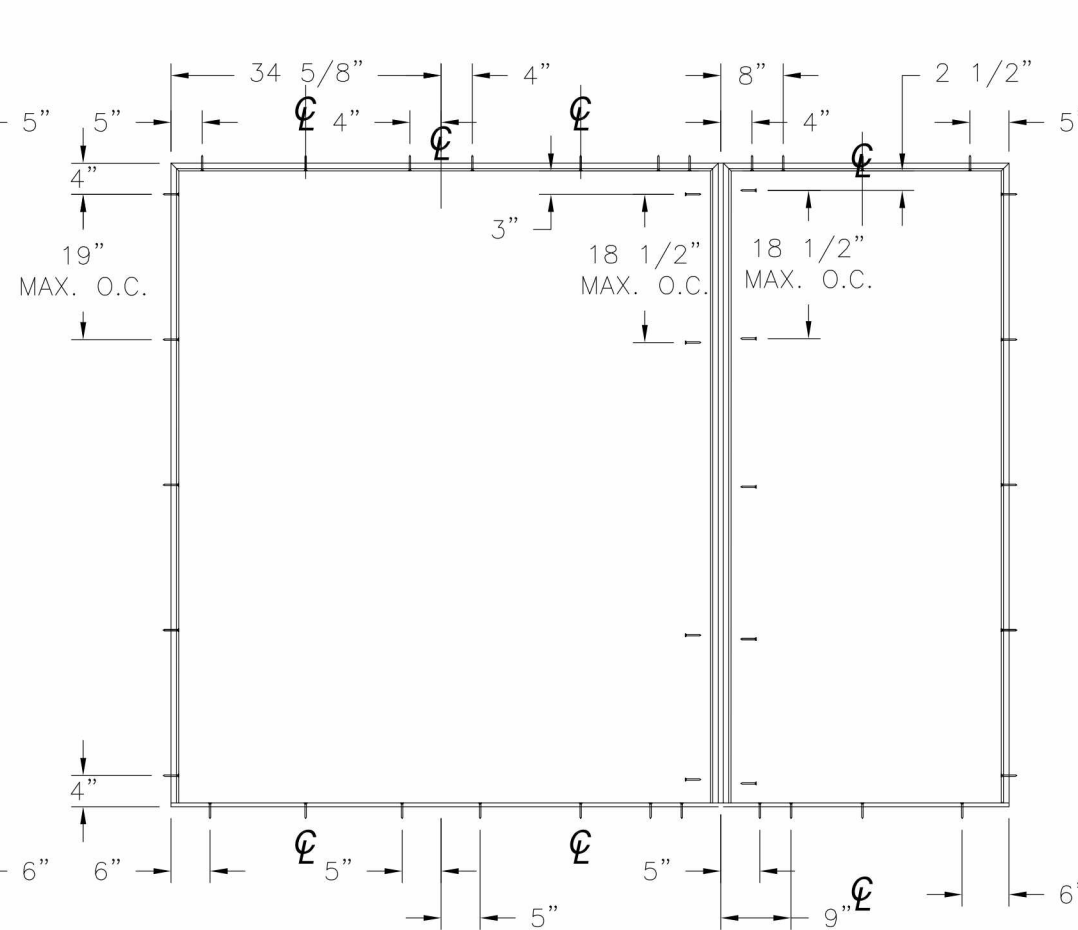
SIGNED: 08/27/2015

NAN YA PLASTICS CORP. USA 8989 NORTH LOOP EAST HOUSTON, TX 77029		
SERIES SLPS IN-SWING GLAZED FIBERGLASS SIDE-HINGED PATIO DOOR 6'11 NON-IMPACT ANCHORING LAYOUTS		
DRAWN: V.L.	DWG NO. 08-02756	REV -
SCALE NTS	DATE 08/27/2015	SHEET 3 OF 9

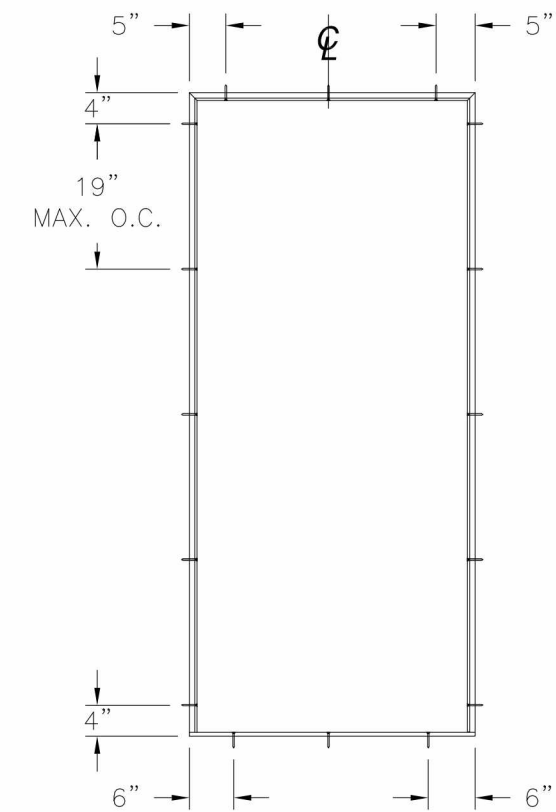




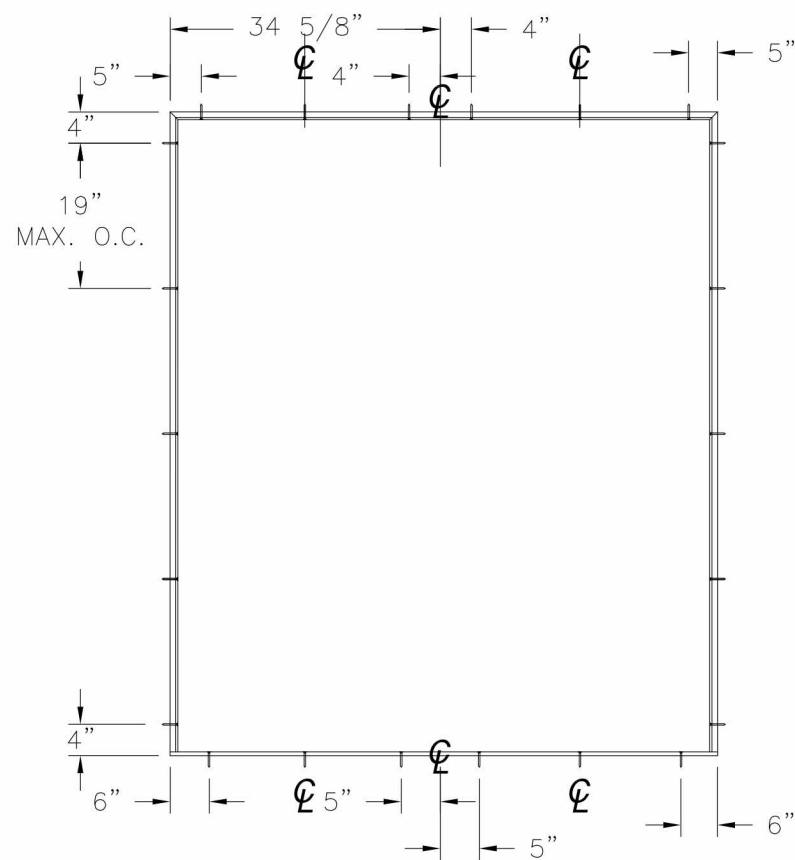
ANCHORING LAYOUT FOR OXO, XXO AND OXX



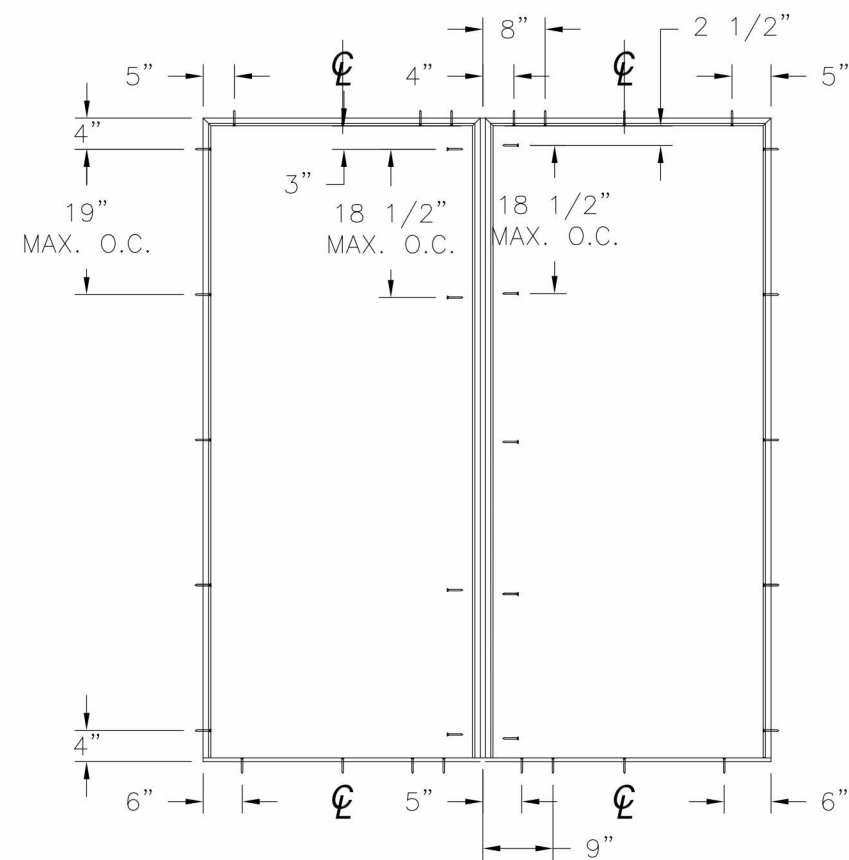
ANCHORING LAYOUT FOR OXO, XXO AND OXX (MULL)



ANCHORING LAYOUT FOR X



ANCHORING LAYOUT FOR XX, OX AND XO



ANCHORING LAYOUT FOR OX AND XO (MULL)

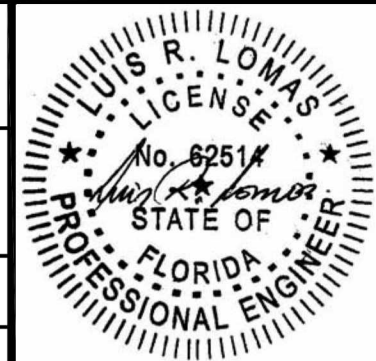
REVISIONS			
REV	DESCRIPTION	DATE	APPROVED

NAN YA PLASTICS CORP. USA  
 8989 NORTH LOOP EAST  
 HOUSTON, TX 77029

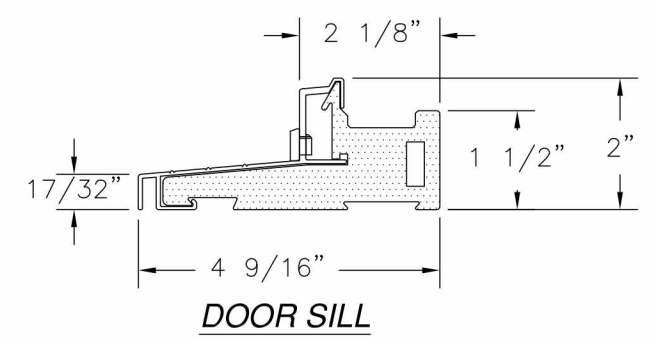
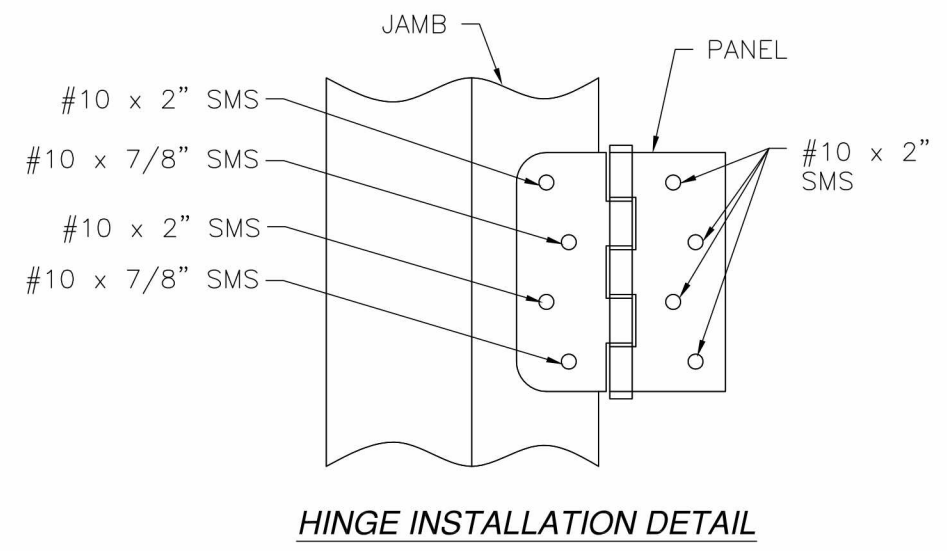
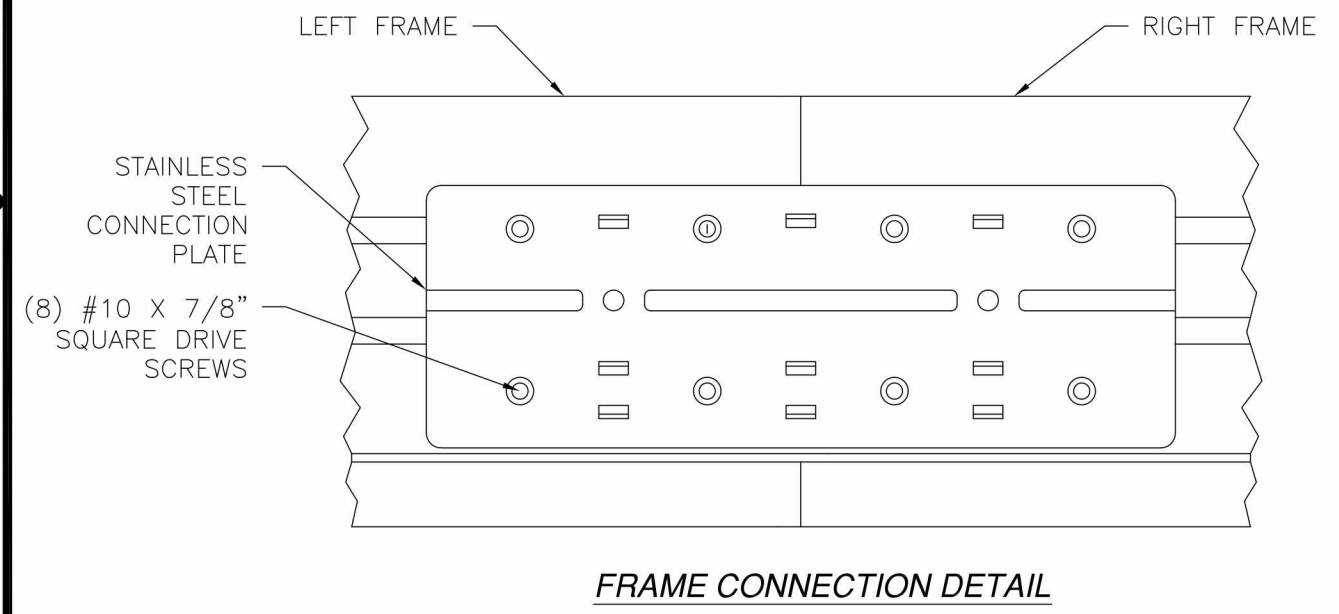
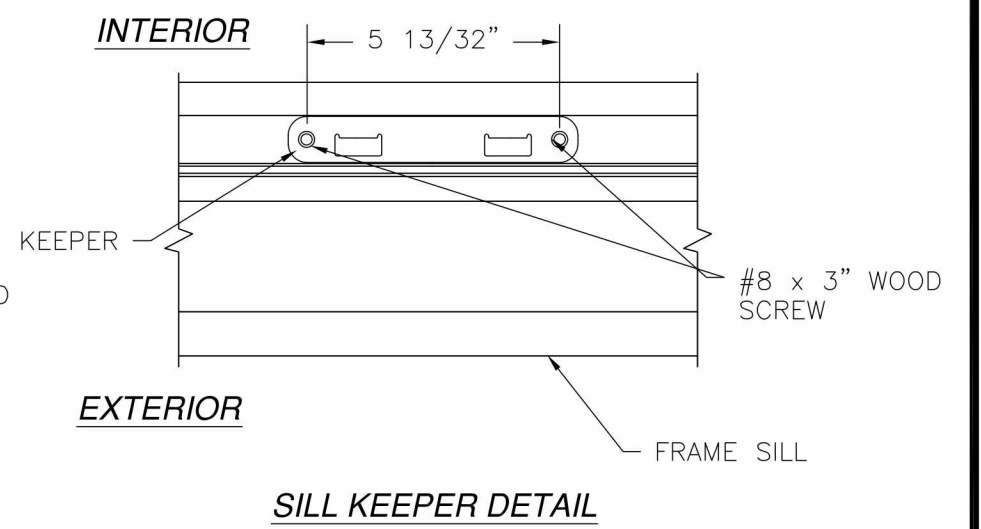
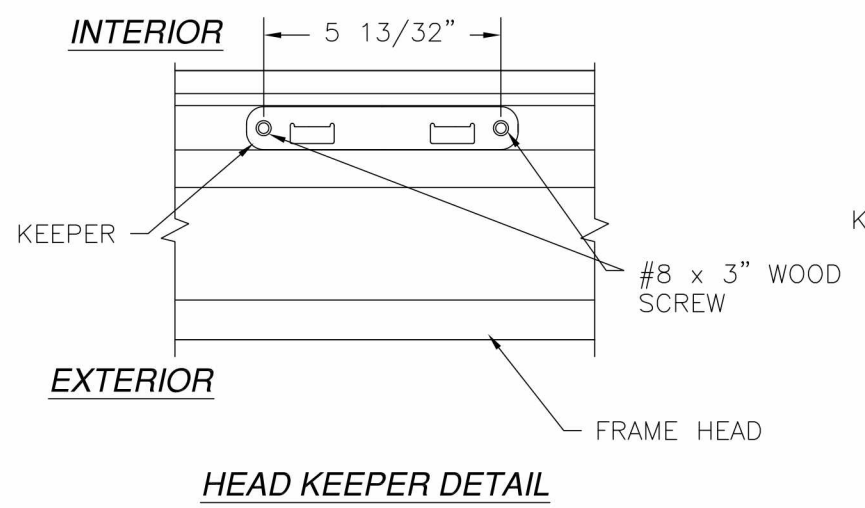
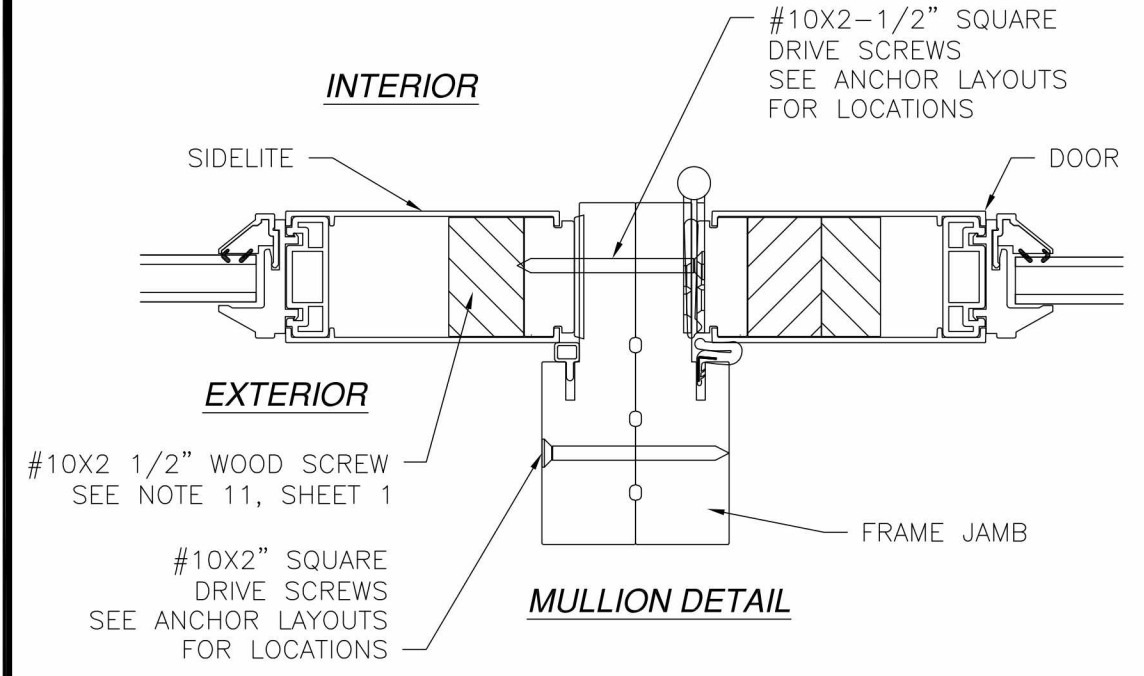
SERIES SLPS IN-SWING GLAZED FIBERGLASS  
 SIDE-HINGED PATIO DOOR 6'11 NON-IMPACT  
 ANCHORING LAYOUTS

DRAWN: V.L.	DWG NO. 08-02756	REV -
SCALE NTS	DATE 08/27/2015	SHEET 4 OF 9

SIGNED: 08/27/2015



REVISIONS			
REV	DESCRIPTION	DATE	APPROVED

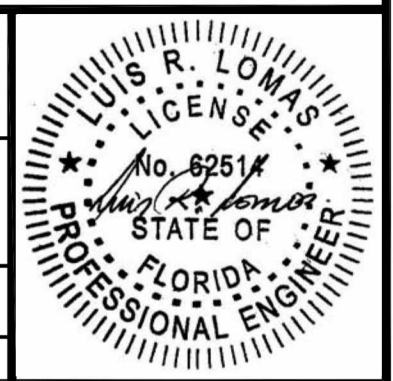


SIGNED: 08/27/2015

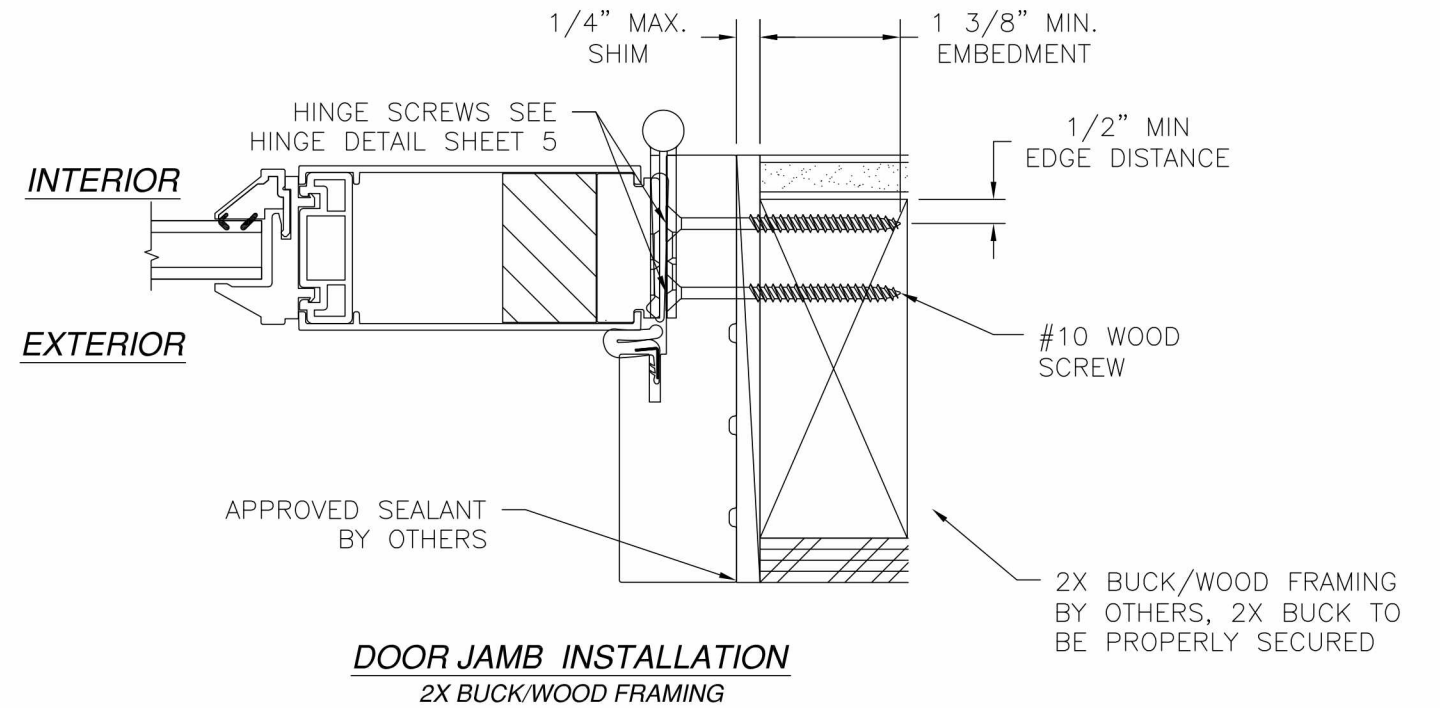
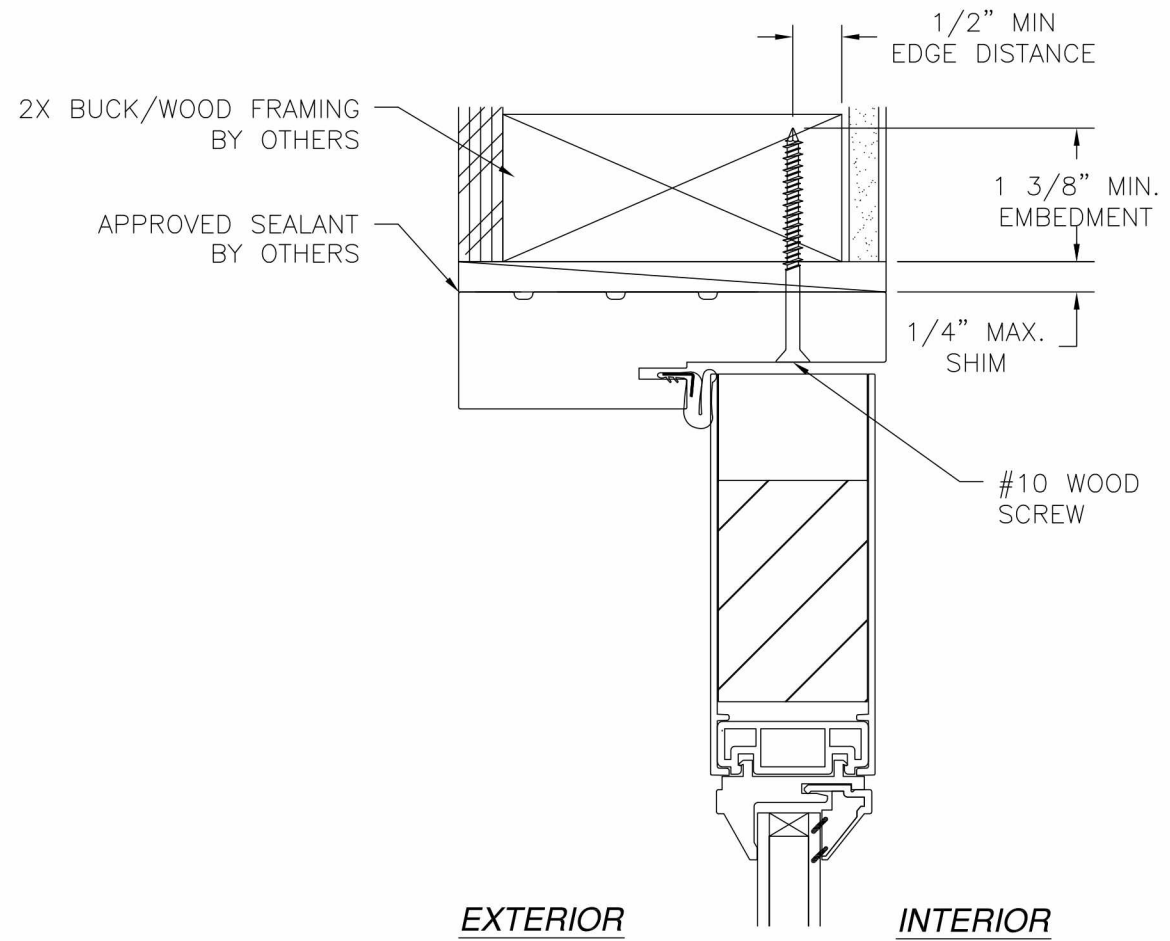
**NAN YA PLASTICS CORP. USA**  
8989 NORTH LOOP EAST  
HOUSTON, TX 77029

SERIES SLPS IN-SWING GLAZED FIBERGLASS  
SIDE-HINGED PATIO DOOR 6'11" NON-IMPACT  
INSTALLATION DETAILS

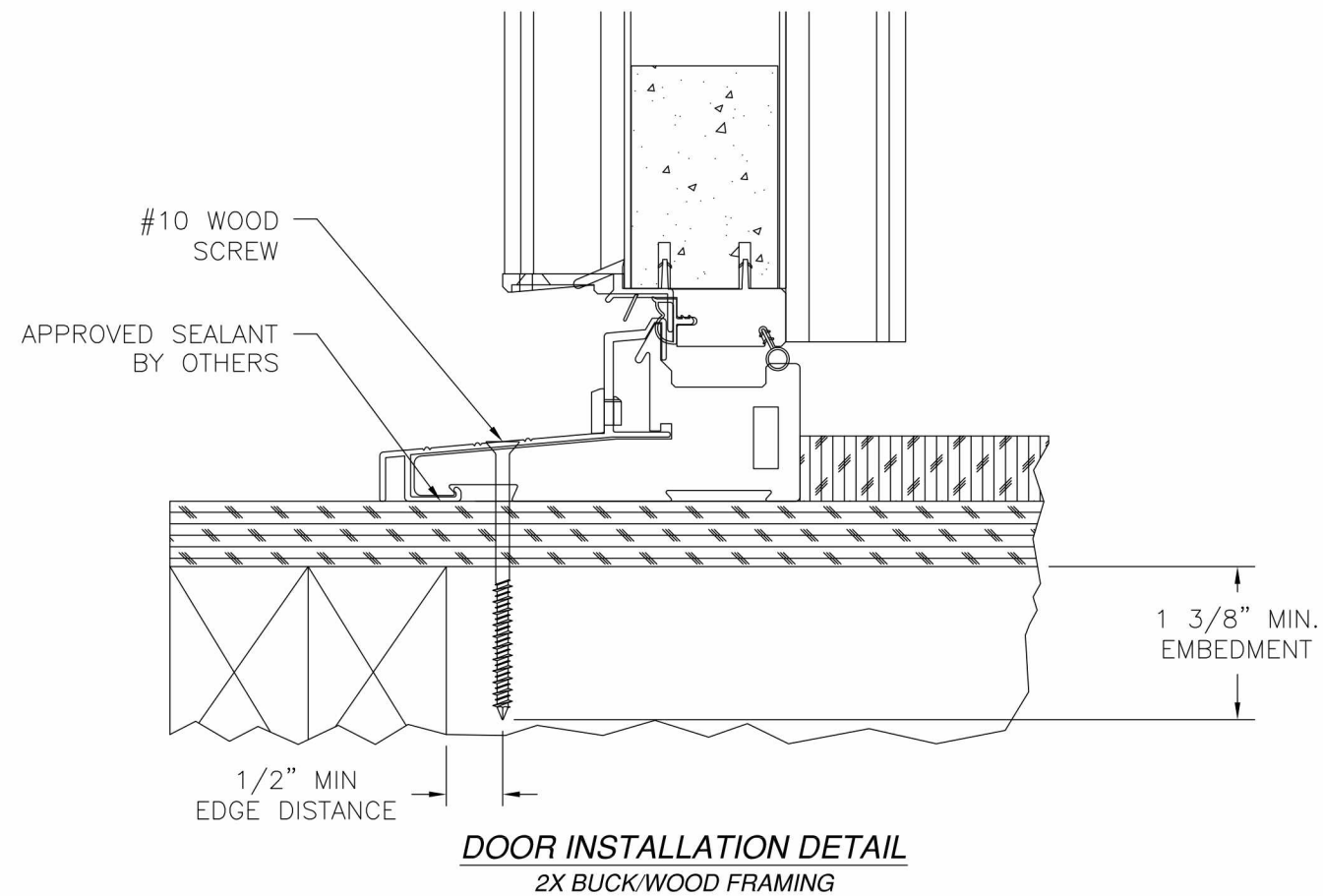
DRAWN: V.L.	DWG NO. 08-02756	REV -
SCALE NTS	DATE 08/27/2015	SHEET 5 OF 9



REVISIONS			
REV	DESCRIPTION	DATE	APPROVED



**DOOR JAMB INSTALLATION**  
2X BUCK/WOOD FRAMING

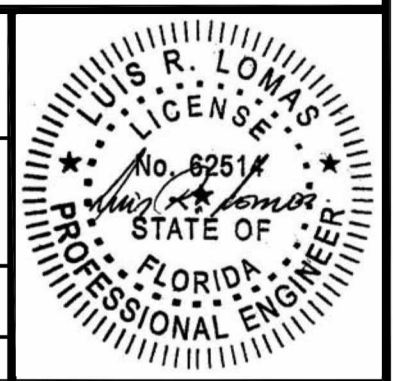


**DOOR INSTALLATION DETAIL**  
2X BUCK/WOOD FRAMING

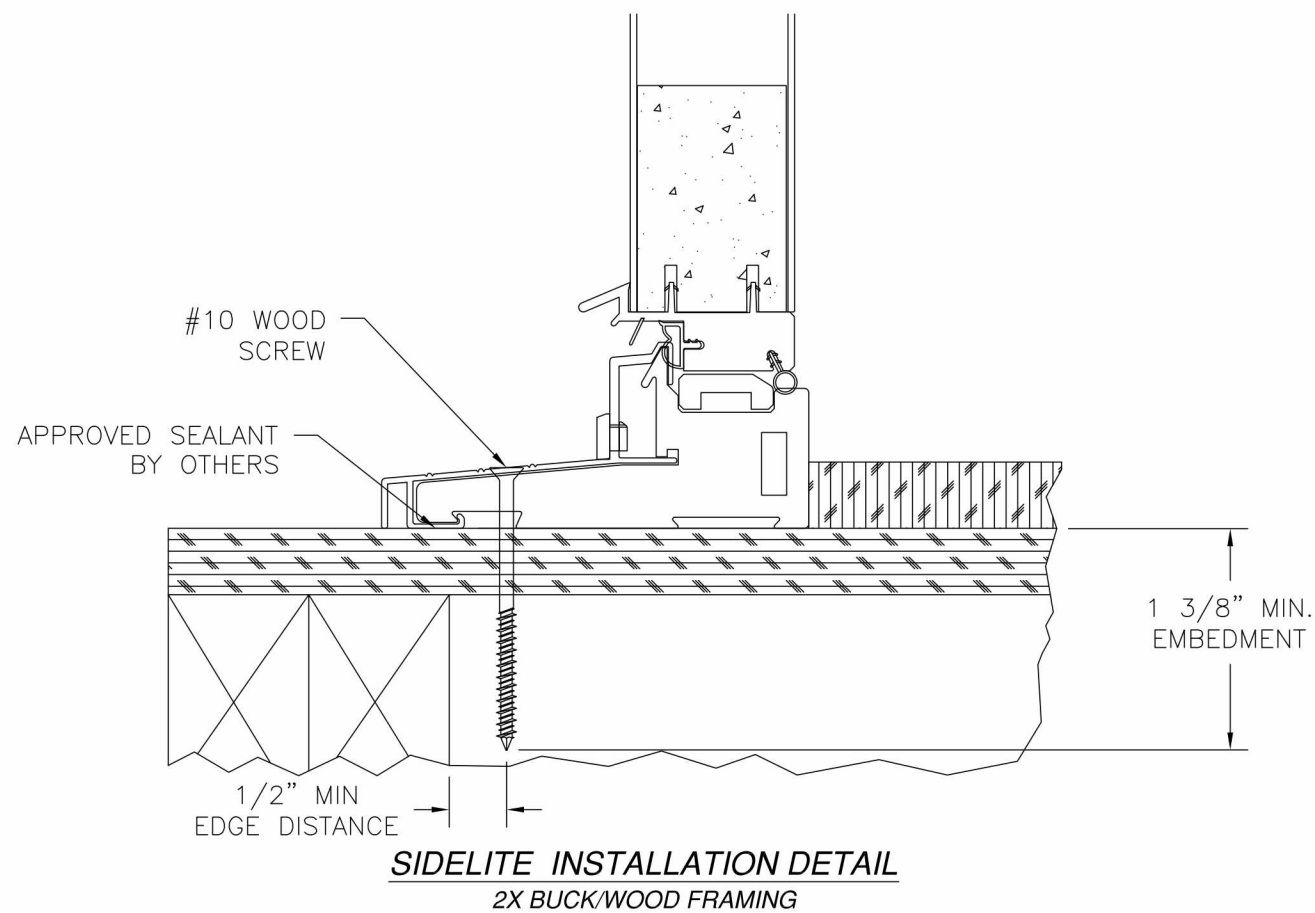
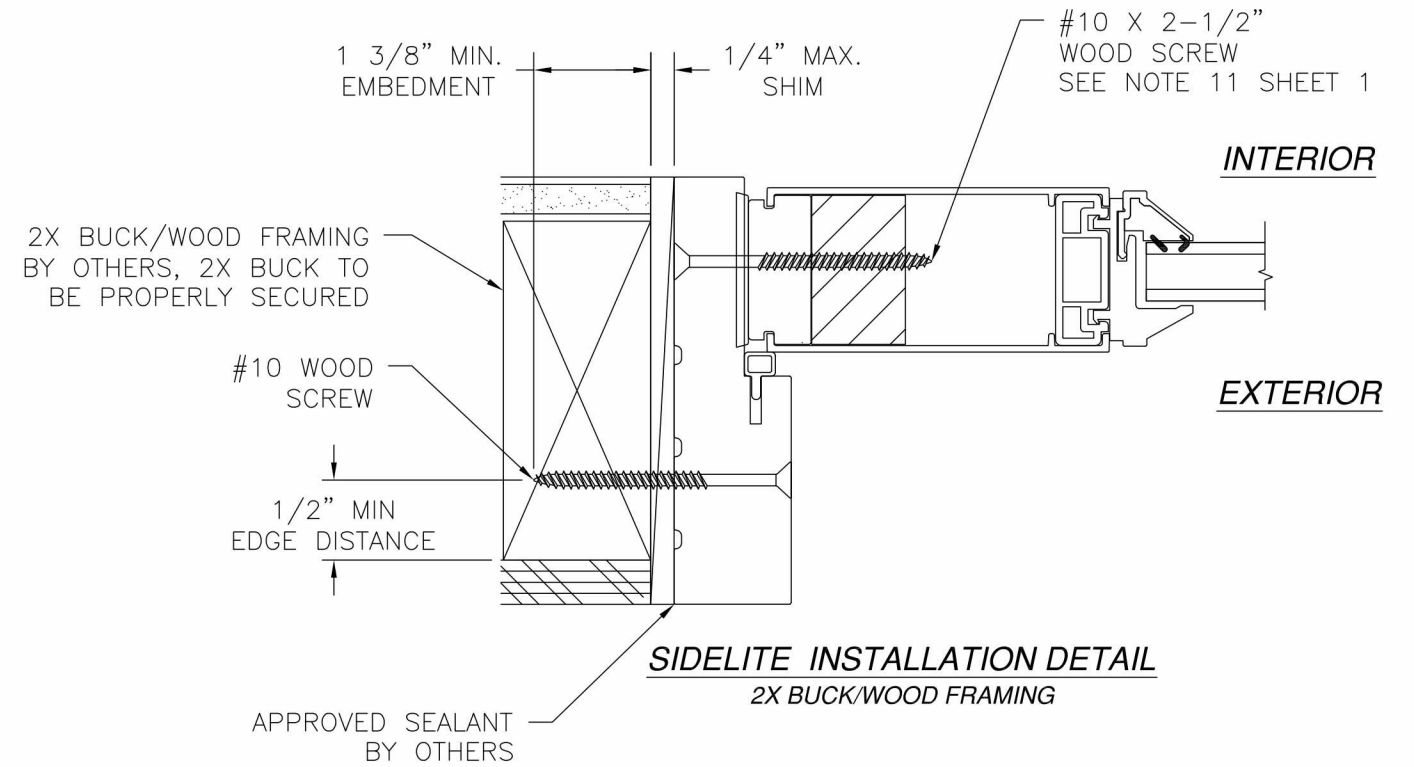
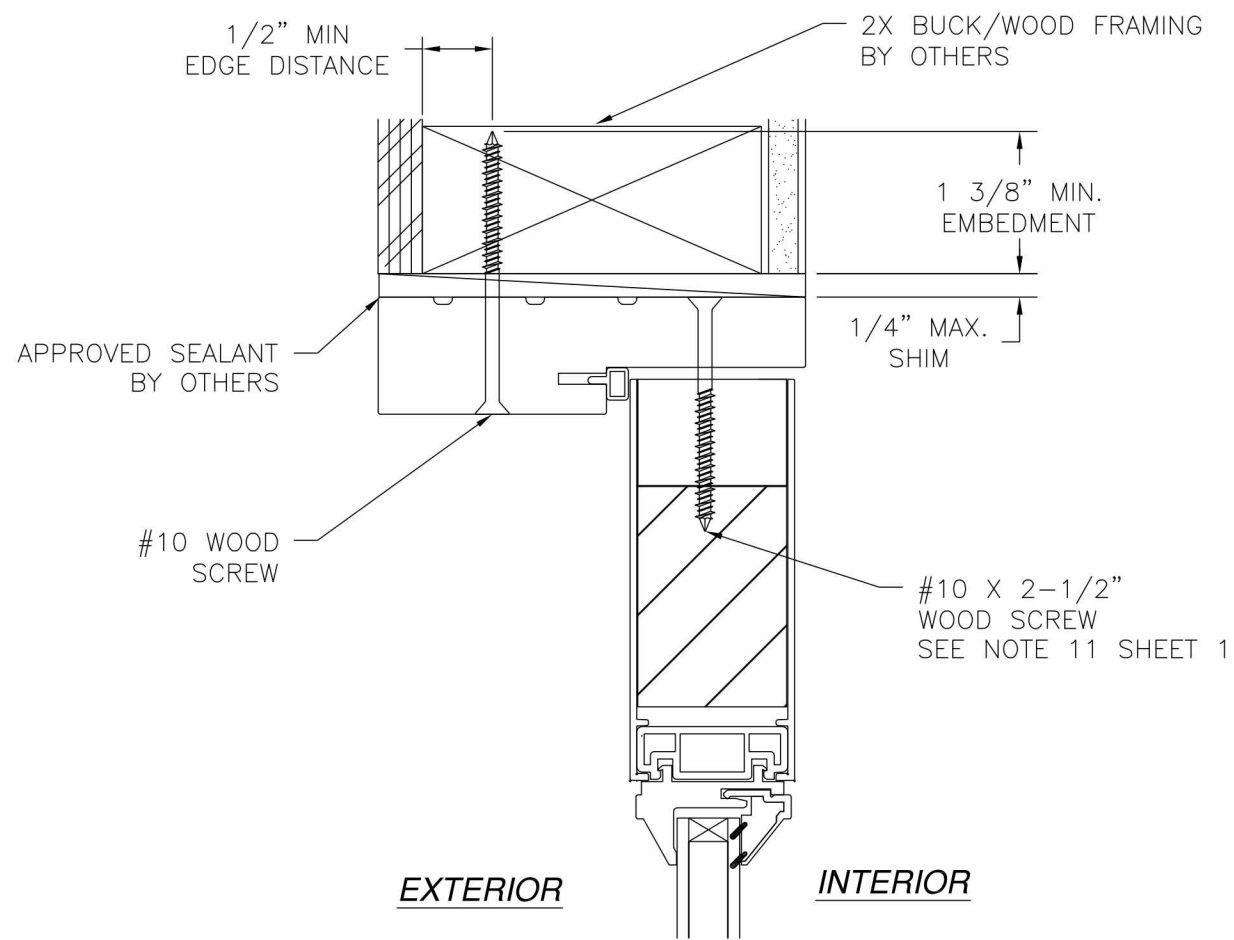
- NOTES:**
1. INTERIOR AND EXTERIOR FINISHES, BY OTHERS, NOT SHOWN FOR CLARITY.
  2. PERIMETER AND JOINT SEALANT BY OTHERS TO BE DESIGNED IN ACCORDANCE WITH ASTM E2112

SIGNED: 08/27/2015

<p>NAN YA PLASTICS CORP. USA 8989 NORTH LOOP EAST HOUSTON, TX 77029</p>		
<p>SERIES SLPS IN-SWING GLAZED FIBERGLASS SIDE-HINGED PATIO DOOR 6'11" NON-IMPACT INSTALLATION DETAILS</p>		
<p>DRAWN: V.L.</p>	<p>DWG NO. 08-02756</p>	<p>REV -</p>
<p>SCALE NTS</p>	<p>DATE 08/27/2015</p>	<p>SHEET 6 OF 9</p>



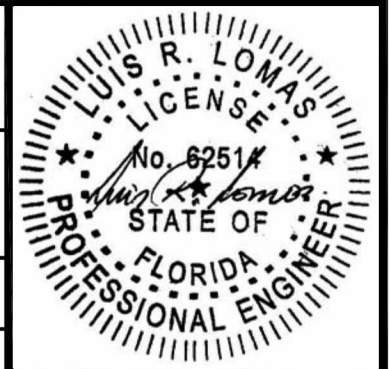
REVISIONS			
REV	DESCRIPTION	DATE	APPROVED



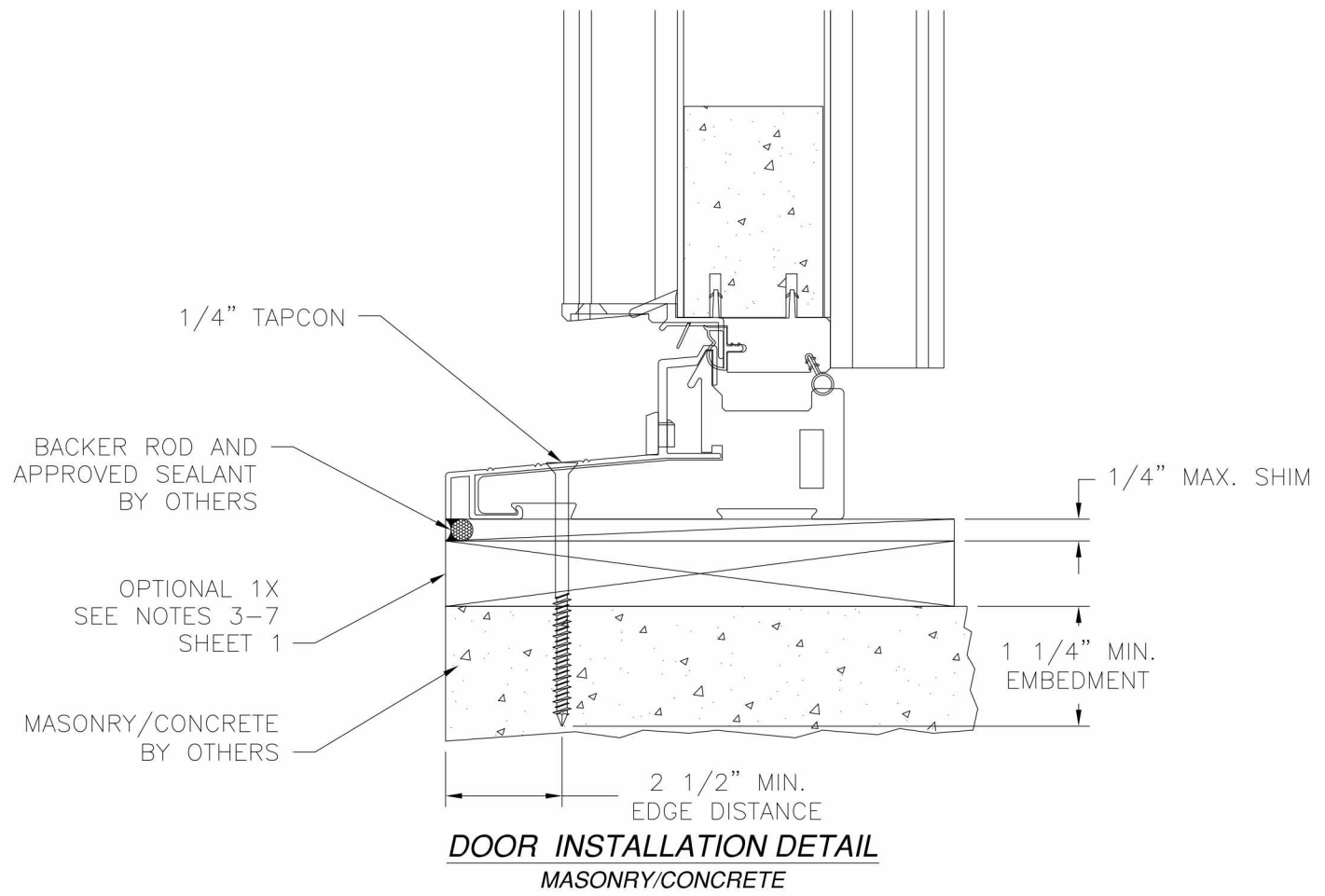
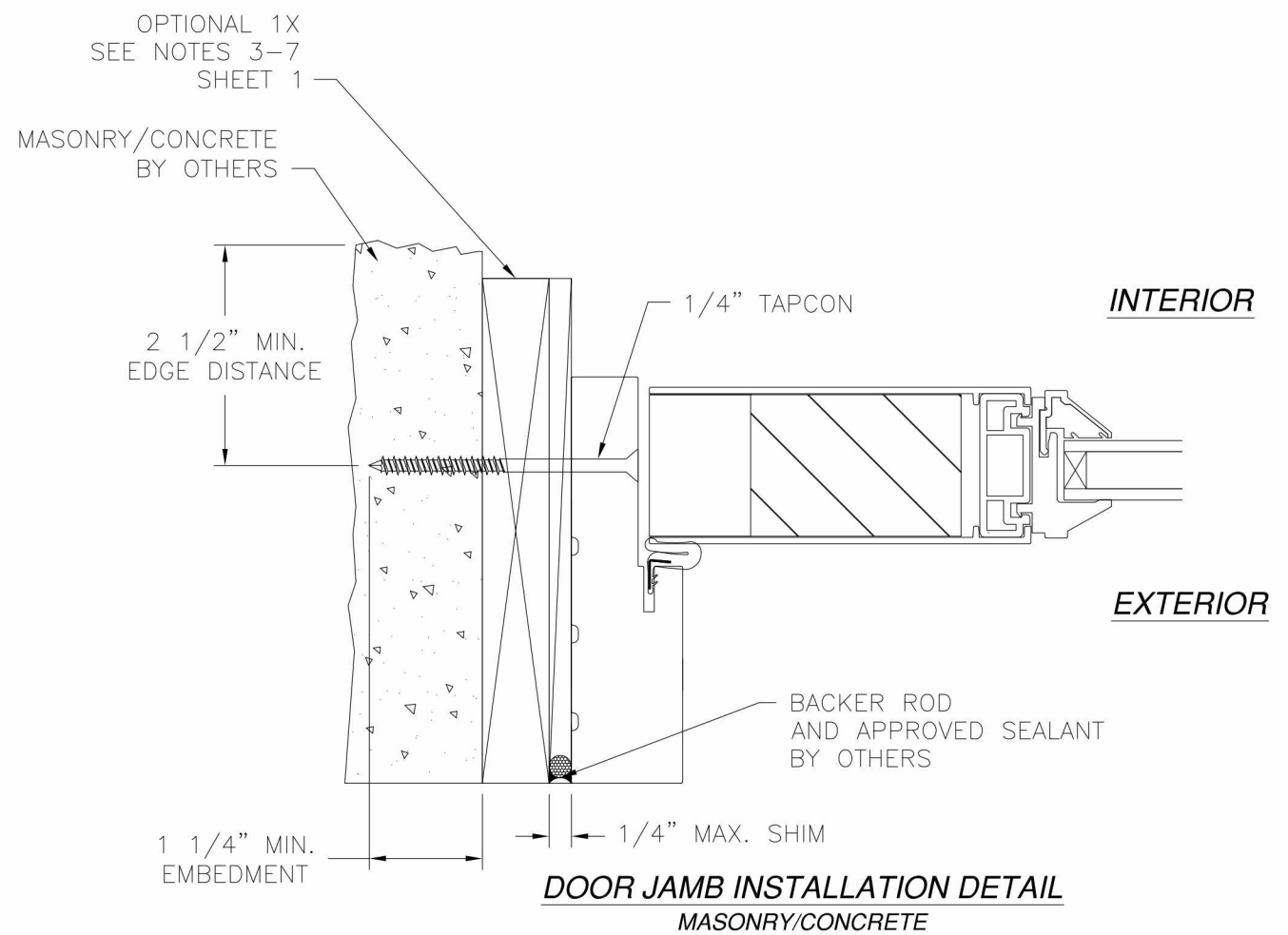
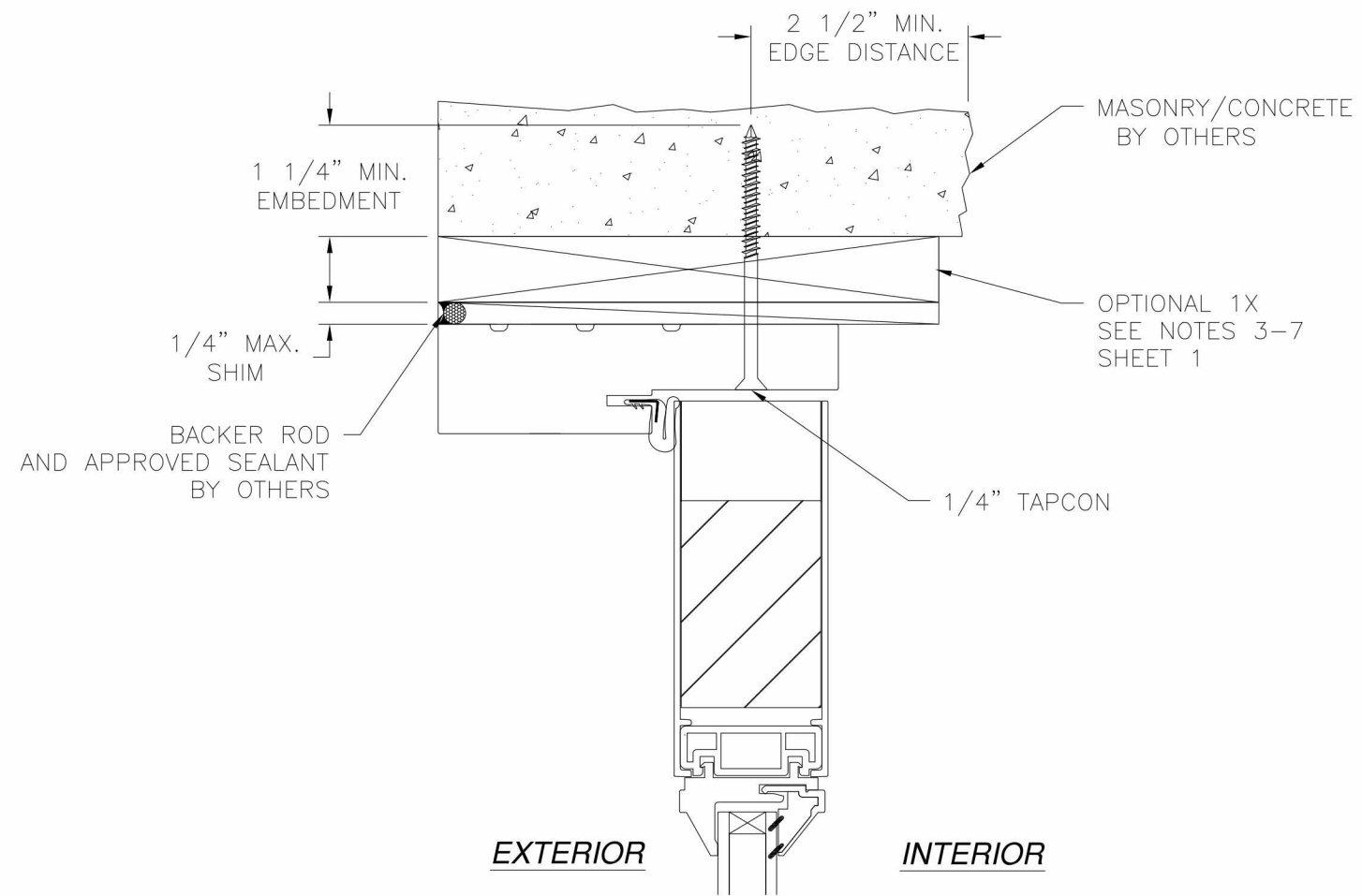
- NOTES:**
1. INTERIOR AND EXTERIOR FINISHES, BY OTHERS, NOT SHOWN FOR CLARITY.
  2. PERIMETER AND JOINT SEALANT BY OTHERS TO BE DESIGNED IN ACCORDANCE WITH ASTM E2112

SIGNED: 08/27/2015

<p>NAN YA PLASTICS CORP. USA 8989 NORTH LOOP EAST HOUSTON, TX 77029</p>		
<p>SERIES SLPS IN-SWING GLAZED FIBERGLASS SIDE-HINGED PATIO DOOR 6'11 NON-IMPACT INSTALLATION DETAILS</p>		
<p>DRAWN: V.L.</p>	<p>DWG NO. 08-02756</p>	<p>REV -</p>
<p>SCALE NTS</p>	<p>DATE 08/27/2015</p>	<p>SHEET 7 OF 9</p>



REVISIONS			
REV	DESCRIPTION	DATE	APPROVED



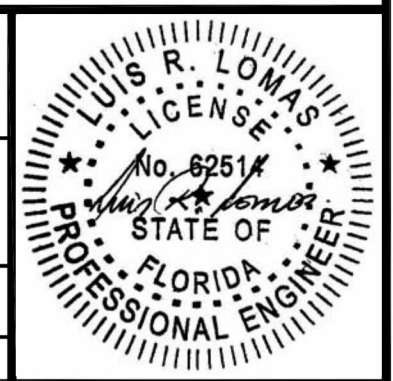
- NOTES:**
1. INTERIOR AND EXTERIOR FINISHES, BY OTHERS, NOT SHOWN FOR CLARITY.
  2. PERIMETER AND JOINT SEALANT BY OTHERS TO BE DESIGNED IN ACCORDANCE WITH ASTM E2112

SIGNED: 08/27/2015

**NAN YA PLASTICS CORP. USA**  
 8989 NORTH LOOP EAST  
 HOUSTON, TX 77029

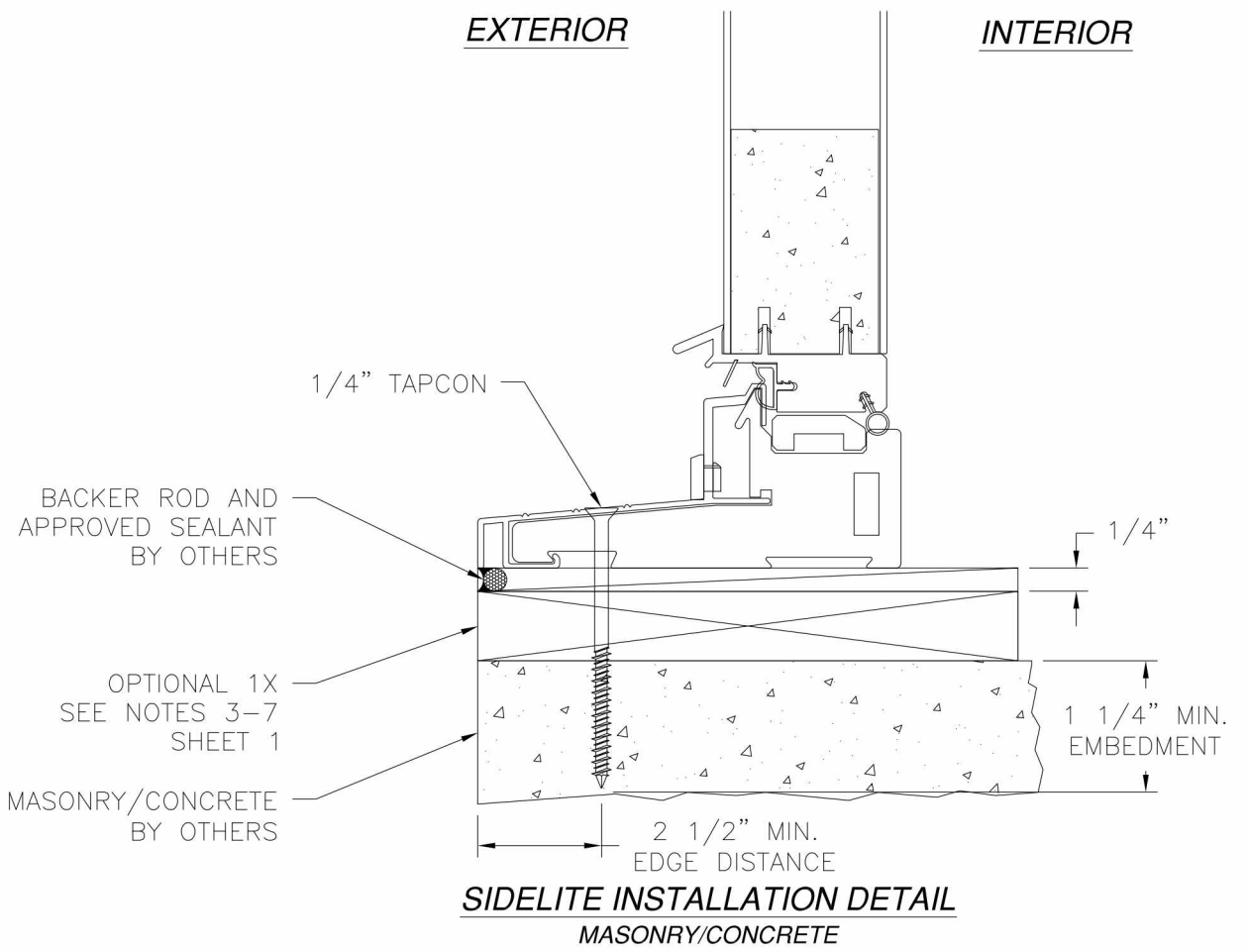
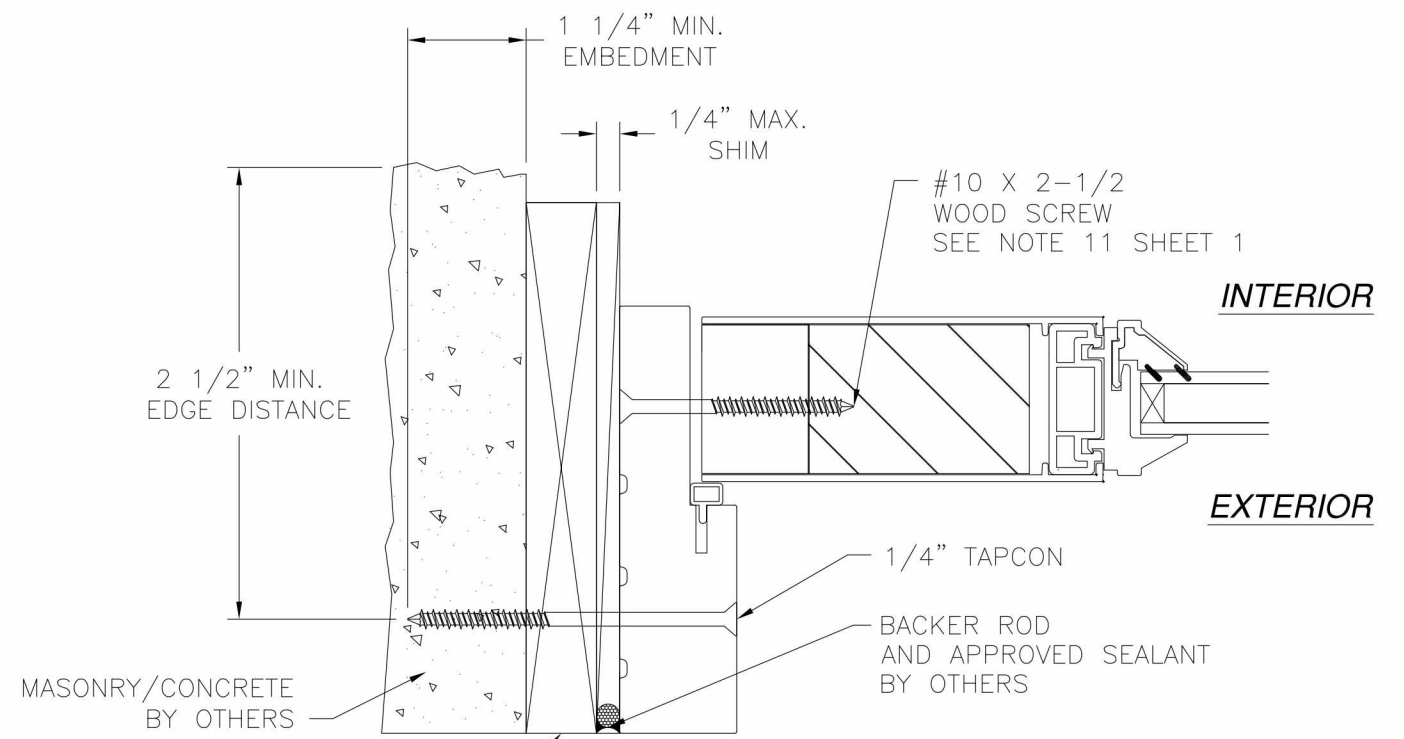
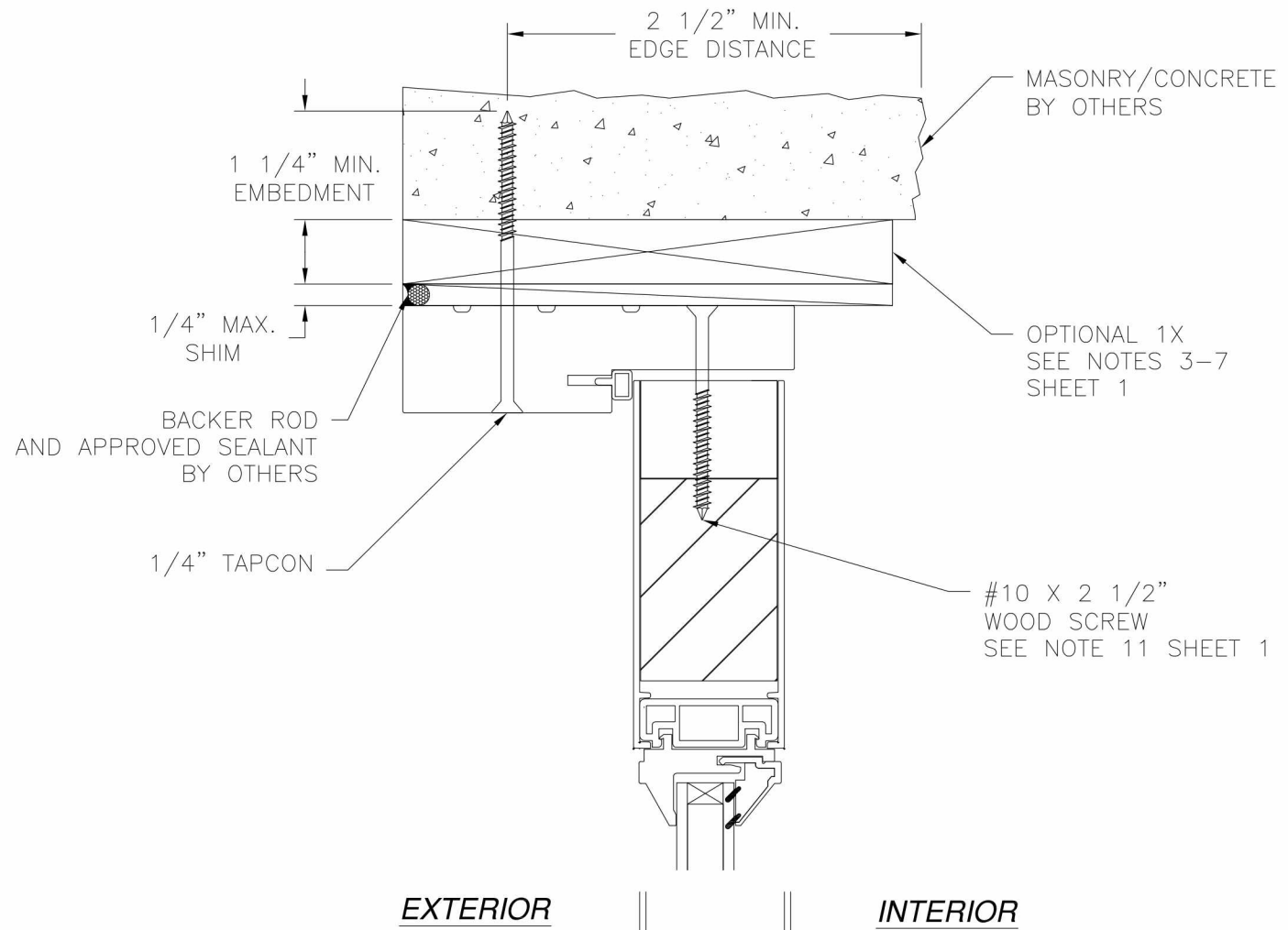
SERIES SLPS IN-SWING GLAZED FIBERGLASS  
 SIDE-HINGED PATIO DOOR 6'11" NON-IMPACT  
 INSTALLATION DETAILS

DRAWN: V.L.	DWG NO. 08-02756	REV -
SCALE NTS	DATE 08/27/2015	SHEET 8 OF 9





REVISIONS			
REV	DESCRIPTION	DATE	APPROVED



**SIDELITE JAMB INSTALLATION DETAIL**  
MASONRY/CONCRETE

- NOTES:**
1. INTERIOR AND EXTERIOR FINISHES, BY OTHERS, NOT SHOWN FOR CLARITY.
  2. PERIMETER AND JOINT SEALANT BY OTHERS TO BE DESIGNED IN ACCORDANCE WITH ASTM E2112

SIGNED: 08/27/2015

<p>NAN YA PLASTICS CORP. USA 8989 NORTH LOOP EAST HOUSTON, TX 77029</p>		
<p>SERIES SLPS IN-SWING GLAZED FIBERGLASS SIDE-HINGED PATIO DOOR 6'11 NON-IMPACT INSTALLATION DETAILS</p>		
<p>DRAWN: V.L.</p>	<p>DWG NO. 08-02756</p>	<p>REV -</p>
<p>SCALE NTS</p>	<p>DATE 08/27/2015</p>	<p>SHEET 9 OF 9</p>

