

REVISIONS			
REV	DESCRIPTION	DATE	APPROVED

NOTES:

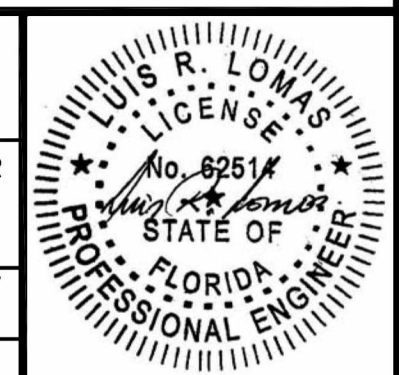
1. THE PRODUCT SHOWN HEREIN IS DESIGNED AND MANUFACTURED TO COMPLY WITH REQUIREMENTS OF THE FLORIDA BUILDING CODE.
2. WOOD FRAMING AND MASONRY OPENING TO BE DESIGNED AND ANCHORED TO PROPERLY TRANSFER ALL LOADS TO STRUCTURE. FRAMING AND MASONRY OPENING IS THE RESPONSIBILITY OF THE ARCHITECT OR ENGINEER OF RECORD.
3. 1X BUCK OVER MASONRY/CONCRETE IS OPTIONAL.
4. WHERE SHIM OR BUCK THICKNESS IS LESS THAN 1-1/2" WINDOW UNITS MUST BE ANCHORED THROUGH THE FRAME IN ACCORDANCE WITH MANUFACTURER'S PUBLISHED INSTALLATION INSTRUCTIONS. ANCHORS SHALL BE SECURELY FASTENED DIRECTLY INTO MASONRY, CONCRETE OR OTHER STRUCTURAL SUBSTRATE MATERIAL.
5. WHERE WOOD BUCK THICKNESS IS 1-1/2" OR GREATER, BUCK SHALL BE SECURELY FASTENED TO MASONRY, CONCRETE OR OTHER STRUCTURAL SUBSTRATE. WINDOW UNITS MAY BE ANCHORED THROUGH FRAME TO SECURED WOOD BUCK IN ACCORDANCE WITH MANUFACTURER'S PUBLISHED INSTALLATION INSTRUCTIONS.
6. WHERE 1X BUCK IS NOT USED DISSIMILAR MATERIALS MUST BE SEPARATED WITH APPROVED COATING OR MEMBRANE. SELECTION OF COATING OR MEMBRANE IS THE RESPONSIBILITY OF THE ARCHITECT OR ENGINEER OF RECORD.
7. BUCKS SHALL EXTEND BEYOND WINDOW INTERIOR FACE SO THAT FULL FRAME SUPPORT IS PROVIDED.
8. FOR FIN INSTALLATION SHIM AS NEEDED. FOR FRAME INSTALLATION SHIM AS REQUIRED AT EACH ANCHOR LOCATION WITH LOAD BEARING SHIM. SHIM WHERE SPACE OF 1/16" OR GREATER OCCURS. MAXIMUM ALLOWABLE SHIM STACK TO BE 1/4".
9. SHIMS SHALL BE LOCATED, APPLIED AND MADE FROM MATERIALS AND THICKNESS CAPABLE OF SUSTAINING APPLICABLE LOADS.
10. WIND LOAD DURATION FACTOR Cd=1.6 WAS USED FOR WOOD ANCHOR CALCULATIONS.
11. FRAME MATERIAL: CO-EXTRUDED PVC FOAM.
12. UNITS MUST BE GLAZED PER ASTM E1300-04, WITH SAFETY GLAZING.
13. APPROVED IMPACT PROTECTIVE SYSTEM IS REQUIRED FOR THIS PRODUCT IN WIND BORNE DEBRIS REGIONS.
14. FOR ANCHORING INTO WOOD FRAMING OR 2X BUCK USE #10 WOOD SCREWS WITH SUFFICIENT LENGTH TO ACHIEVE A 1 1/4" MINIMUM EMBEDMENT INTO SUBSTRATE. LOCATE ANCHORS AS SHOWN IN ELEVATIONS AND INSTALLATION DETAILS.

15. FOR ANCHORING INTO MASONRY/CONCRETE USE 1/4" TAPCONS WITH SUFFICIENT LENGTH TO ACHIEVE A 1 1/4" MINIMUM EMBEDMENT INTO SUBSTRATE WITH 2 1/2" MINIMUM EDGE DISTANCE. LOCATE ANCHORS AS SHOWN IN ELEVATIONS AND INSTALLATION DETAILS.
16. FOR ANCHORING INTO METAL STRUCTURE USE #10 SMS OR SELF DRILLING SCREWS WITH SUFFICIENT LENGTH TO ACHIEVE 3 THREADS MINIMUM BEYOND STRUCTURE INTERIOR WALL. LOCATE ANCHORS AS SHOWN IN ELEVATIONS AND INSTALLATION DETAILS.
17. ALL FASTENERS TO BE CORROSION RESISTANT.
18. INSTALLATION ANCHORS SHALL BE INSTALLED IN ACCORDANCE WITH ANCHOR MANUFACTURER'S INSTALLATION INSTRUCTIONS AND ANCHORS SHALL NOT BE USED IN SUBSTRATES WITH STRENGTHS LESS THAN THE MINIMUM STRENGTH SPECIFIED BELOW:
  - A. WOOD - MINIMUM SPECIFIC GRAVITY OF G=0.42
  - B. CONCRETE - MINIMUM COMPRESSIVE STRENGTH OF 3,192 PSI.
  - C. MASONRY - STRENGTH CONFORMANCE TO ASTM C-90, GRADE N, TYPE 1 (OR GREATER).
  - D. METAL STRUCTURE: STEEL 18GA, 33KSI OR ALUMINUM 6063-T5 1/8" THICK MINIMUM
19. APPROVED CONFIGURATIONS: X, X/O, O/X, OX, XO, OX/O, XO/O, XX, XX/O, O/XX, OXX, XXO, OXX/O AND O/XXO, SEE SHEET 3.
20. SIDELITES ARE ASSEMBLED TO FRAME WITH #10X2 1/2" WOOD SCREWS LOCATED 4" FROM EACH END AND 18 1/2" MAX O.C. THEREAFTER AT JAMBS AND 4" FROM EACH END AND ONE AT MIDSPAN AT HEAD AND SILL.

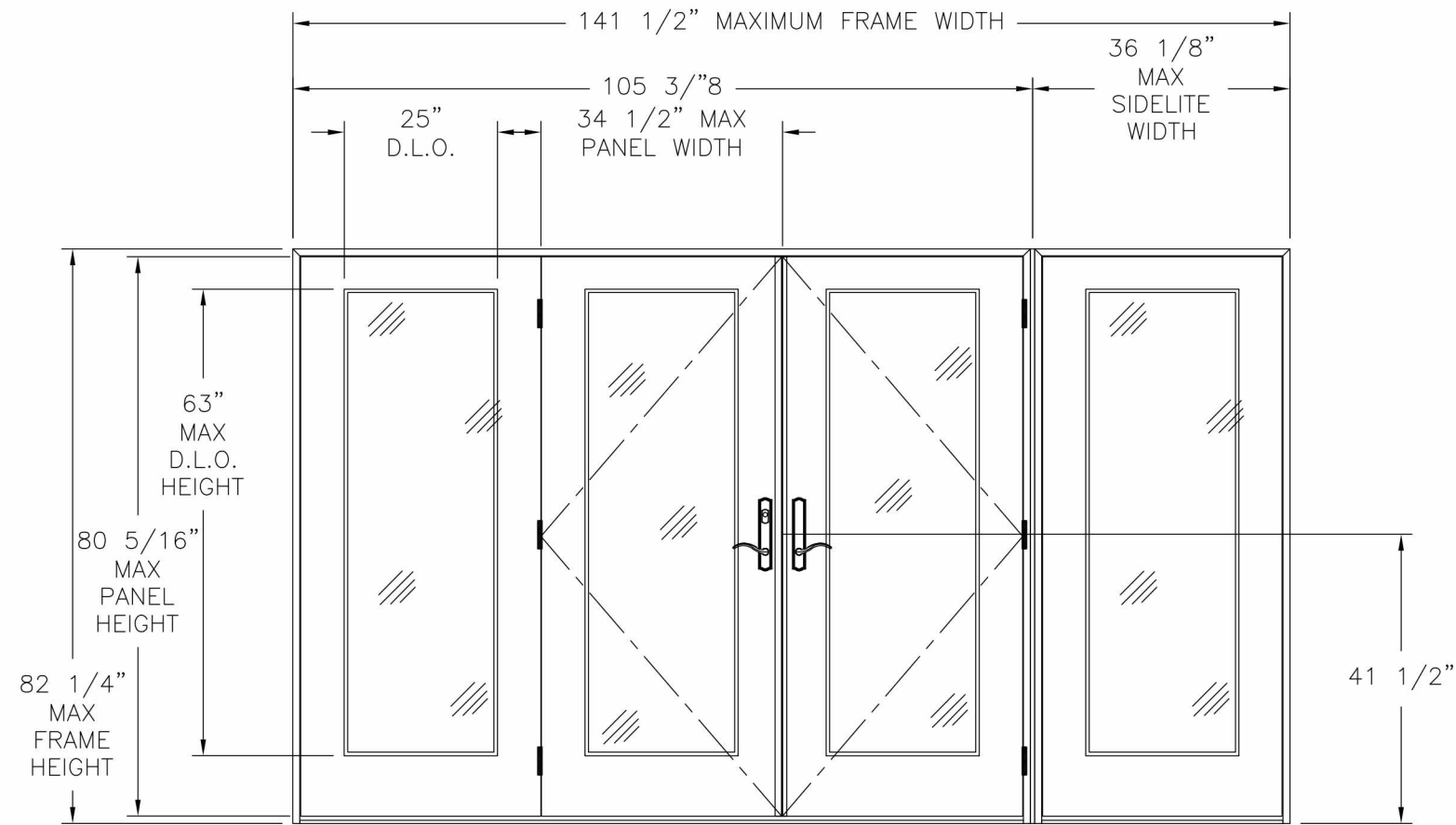
SIGNED: 09/09/2015

TABLE OF CONTENTS	
SHEET NO.	DESCRIPTION
1	NOTES
2	ELEVATION
3	ADDITIONAL CONFIGURATIONS
4 - 5	ANCHORING LAYOUTS
6 - 12	INSTALLATION DETAILS

<b>NAN YA PLASTICS CORP. USA</b> 8989 NORTH LOOP EAST HOUSTON, TX 77029		
SERIES SLPS OUT-SWING SIDE-HINGED PATIO DOOR NON-IMPACT NOTES		
DRAWN: N.G.	DWG NO. 08-02812	REV -
SCALE NTS	DATE 09/08/15	SHEET 1 of 12



REVISIONS			
REV	DESCRIPTION	DATE	APPROVED



**OUT-SWING ENTRANCE DOOR**  
**DOUBLE DOOR W/ SIDELITES**  
 EXTERIOR VIEW

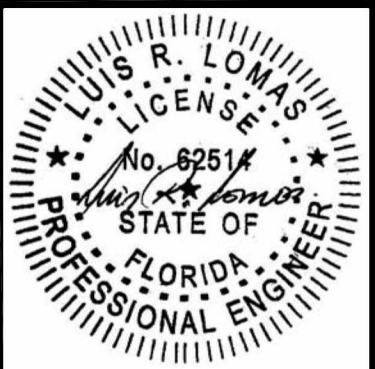
DESIGN PRESSURE RATING	IMPACT RATING
+60.0/-55.0PSF	NONE

HARDWARE SCHEDULE

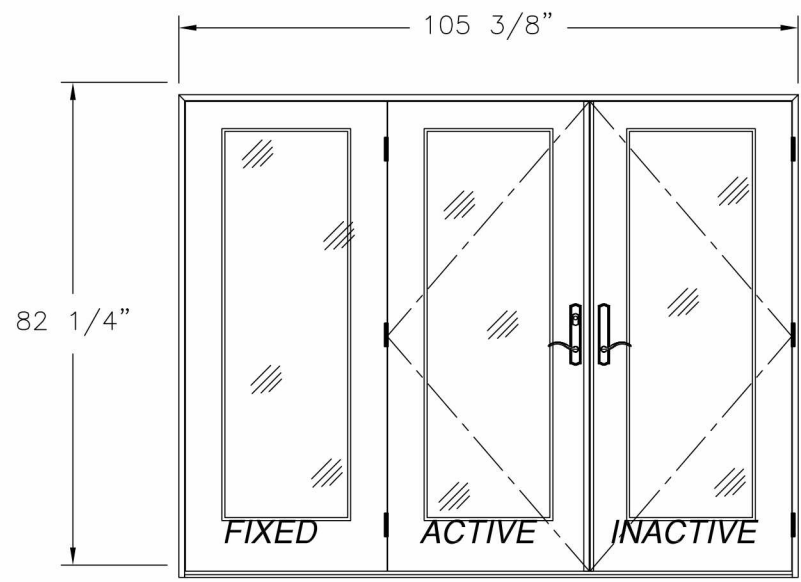
- A MULTI-POINT LOCK AT ACTIVE PANEL
- B (3) 4"x4" BUTT HINGES BY WENZHOU LONGTAI (PER PANEL)
- C ALUMINUM & PVC FOAM ASTRAGAL BY NAN YA PLASTICS

SIGNED: 09/09/2015

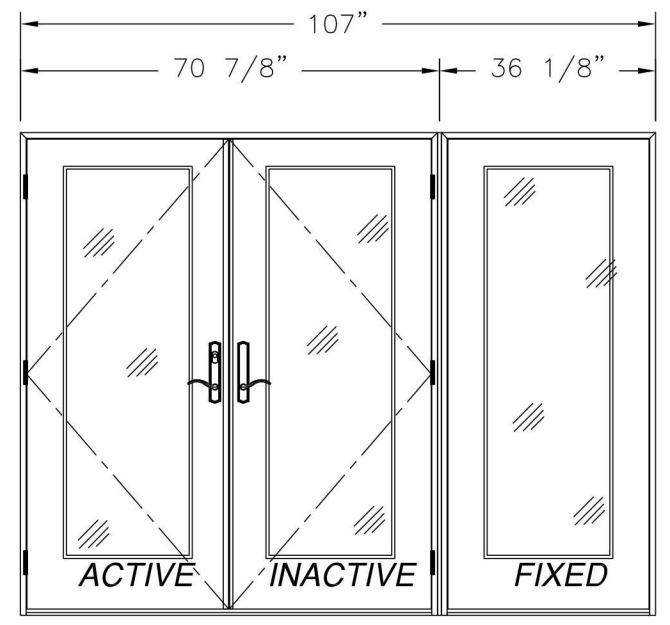
<b>NAN YA PLASTICS CORP. USA</b> 8989 NORTH LOOP EAST HOUSTON, TX 77029		
SERIES SLPS OUT-SWING SIDE-HINGED PATIO DOOR NON-IMPACT ELEVATION		
DRAWN: N.G.	DWG NO. 08-02812	REV -
SCALE NTS	DATE 09/08/15	SHEET 2 of 12



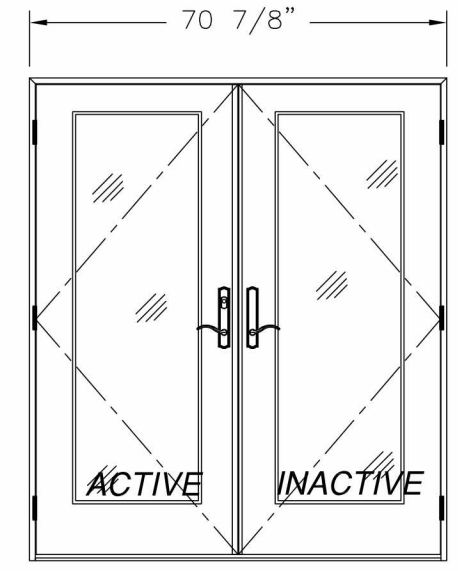
REVISIONS			
REV	DESCRIPTION	DATE	APPROVED



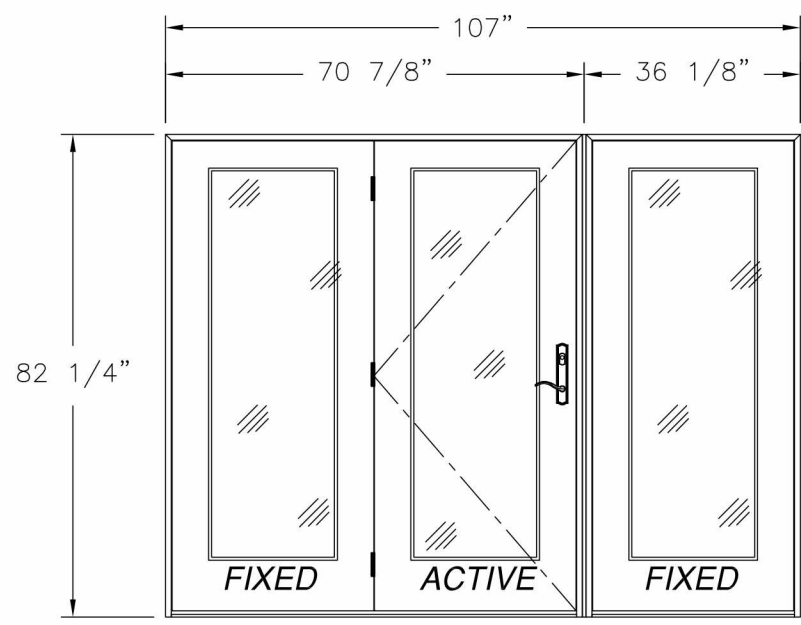
**DOUBLE W/SIDELITE**  
EXTERIOR VIEW



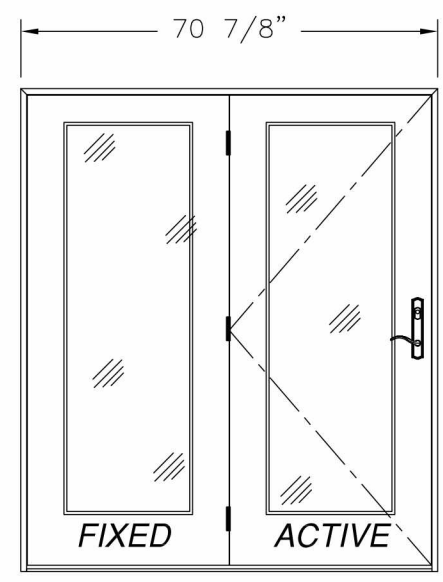
**DOUBLE W/SIDELITE (MULL)**  
EXTERIOR VIEW



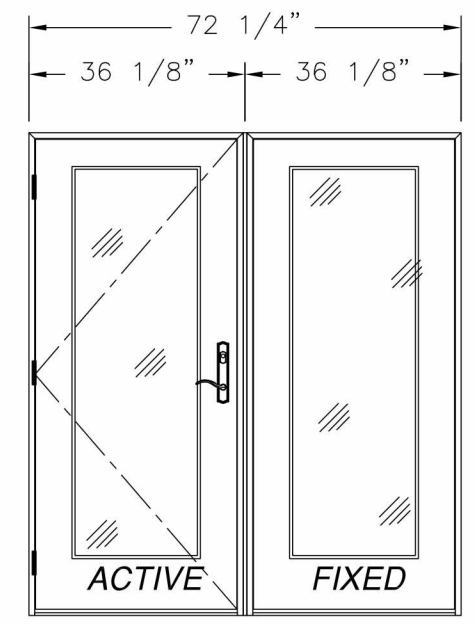
**DOUBLE**  
EXTERIOR VIEW



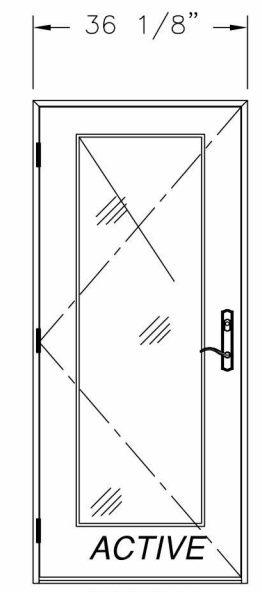
**SINGLE W/SIDELITE (MULL)**  
EXTERIOR VIEW



**SINGLE W/SIDELITE**  
EXTERIOR VIEW



**SINGLE W/SIDELITE (MULL)**  
EXTERIOR VIEW

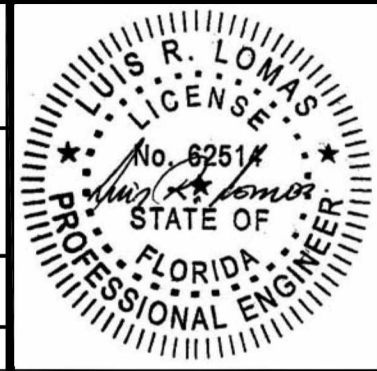


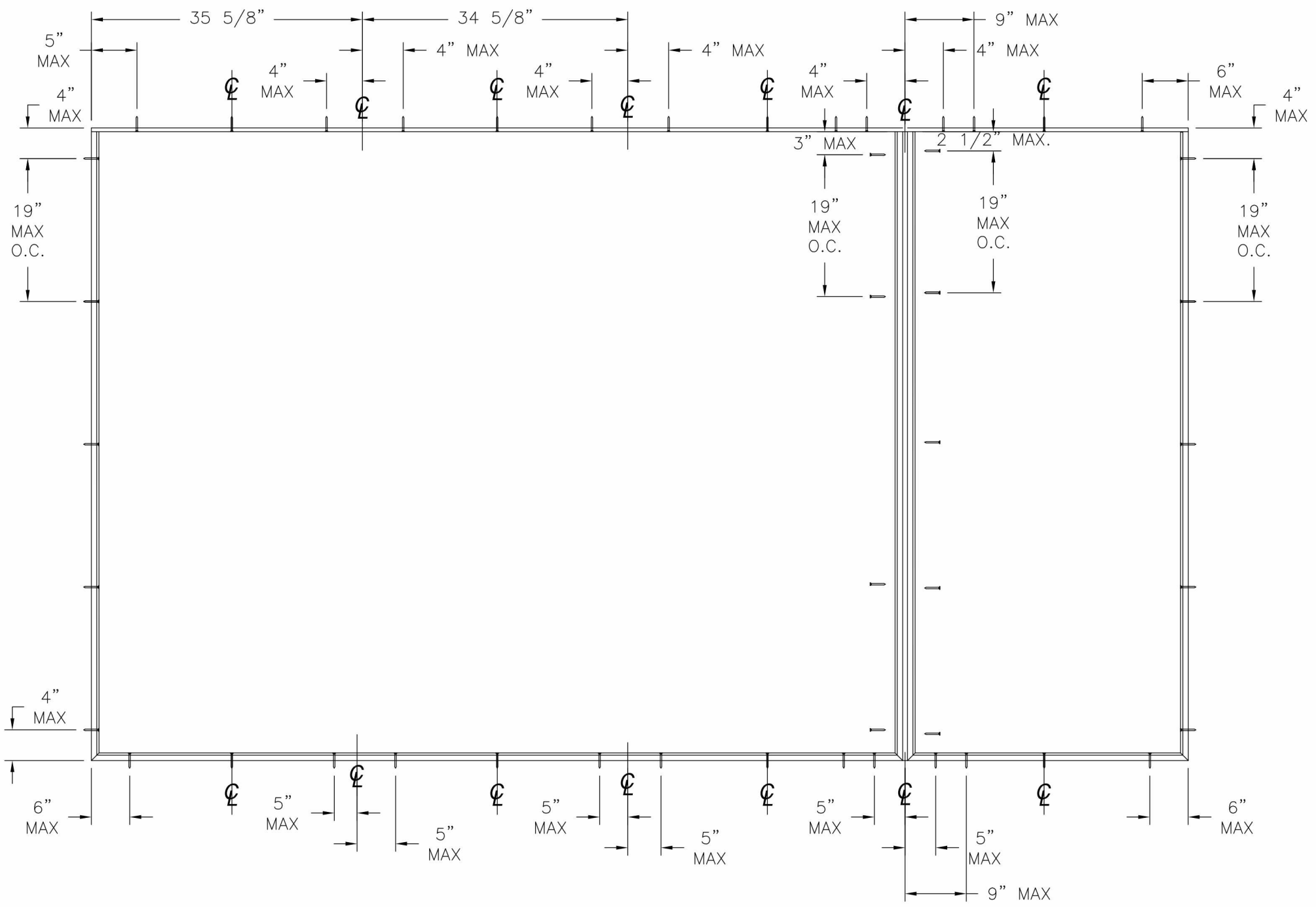
**SINGLE**  
EXTERIOR VIEW

NOTE:  
ALL APPROVED CONFIGURATIONS ARE SHOWN AS LEFT  
HAND ACTIVE, RIGHT HAND ACTIVE IS ALSO APPROVED.

SIGNED: 09/09/2015

<b>NAN YA PLASTICS CORP. USA</b> 8989 NORTH LOOP EAST HOUSTON, TX 77029		
SERIES SLPS OUT-SWING SIDE-HINGED PATIO DOOR NON-IMPACT APPROVED CONFIGURATIONS		
DRAWN: N.G.	DWG NO. 08-02812	REV -
SCALE NTS	DATE 09/08/15	SHEET 3 of 12





ANCHORING LAYOUT

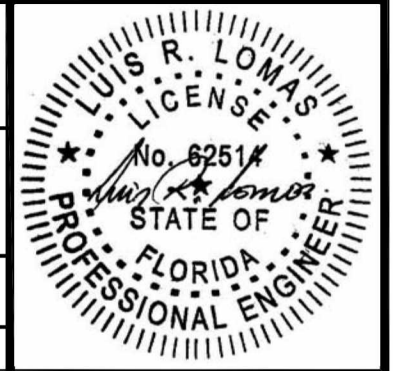
REVISIONS			
REV	DESCRIPTION	DATE	APPROVED

NAN YA PLASTICS CORP. USA  
 8989 NORTH LOOP EAST  
 HOUSTON, TX 77029

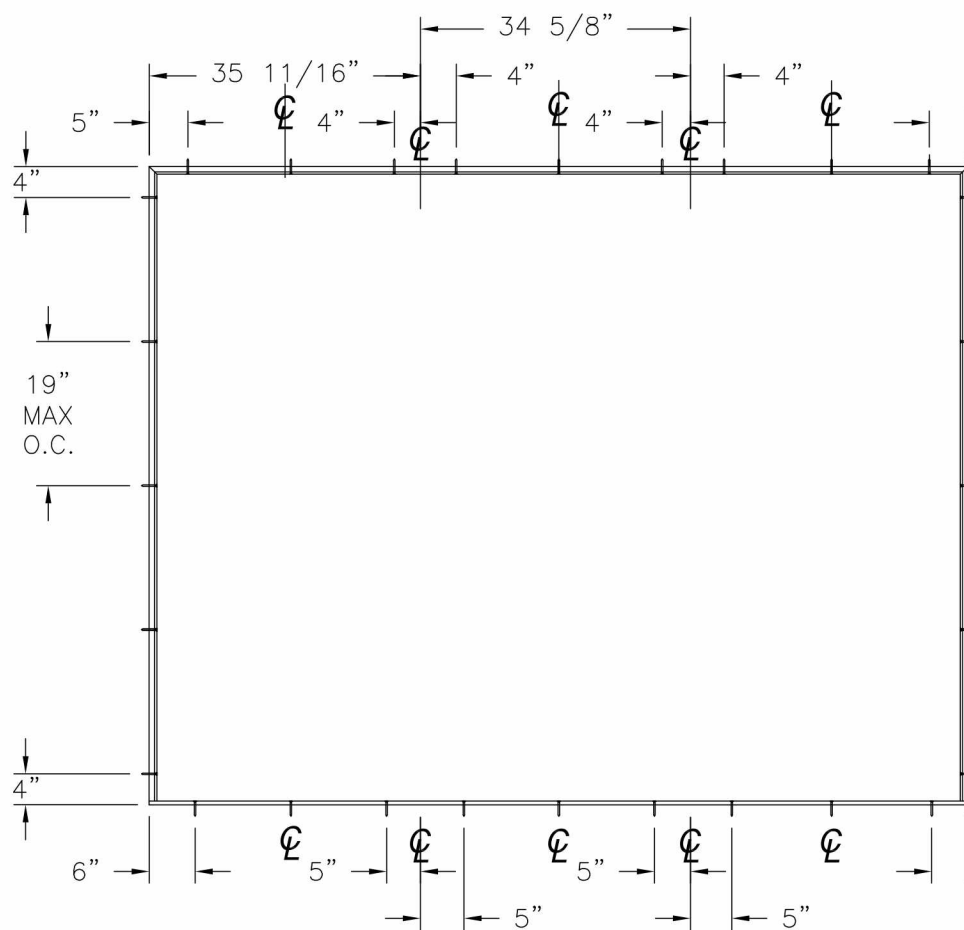
SERIES SLPS OUT-SWING SIDE-HINGED PATIO DOOR  
 NON-IMPACT  
 ANCHOR LAYOUT

DRAWN: N.G.	DWG NO. 08-02812	REV -
SCALE NTS	DATE 09/08/15	SHEET 4 of 12

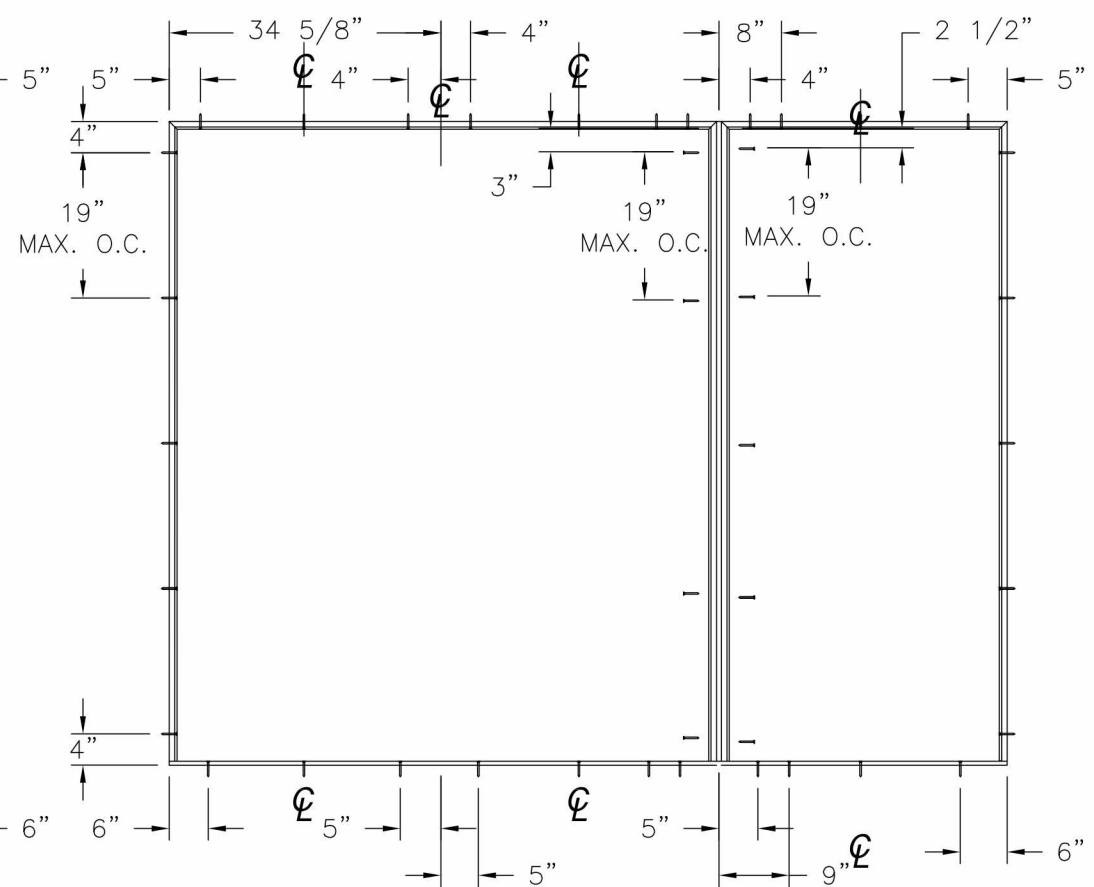
SIGNED: 09/09/2015



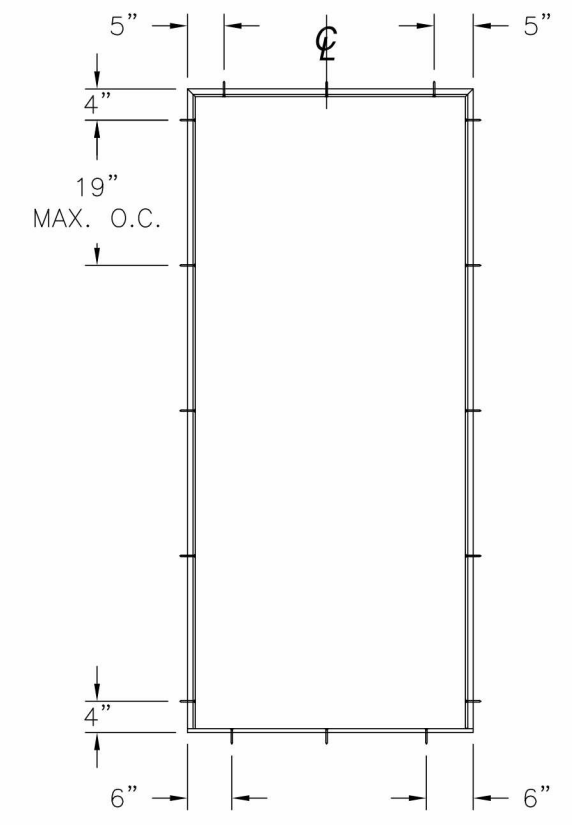
REVISIONS			
REV	DESCRIPTION	DATE	APPROVED



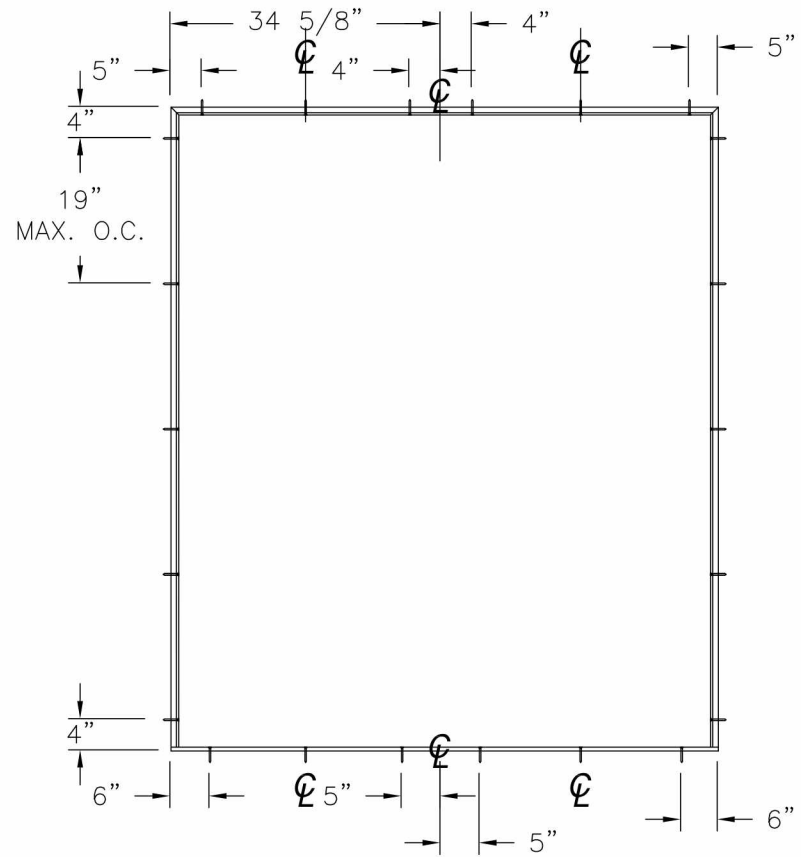
**ANCHORING LAYOUT FOR OXO, XXO AND OXX**



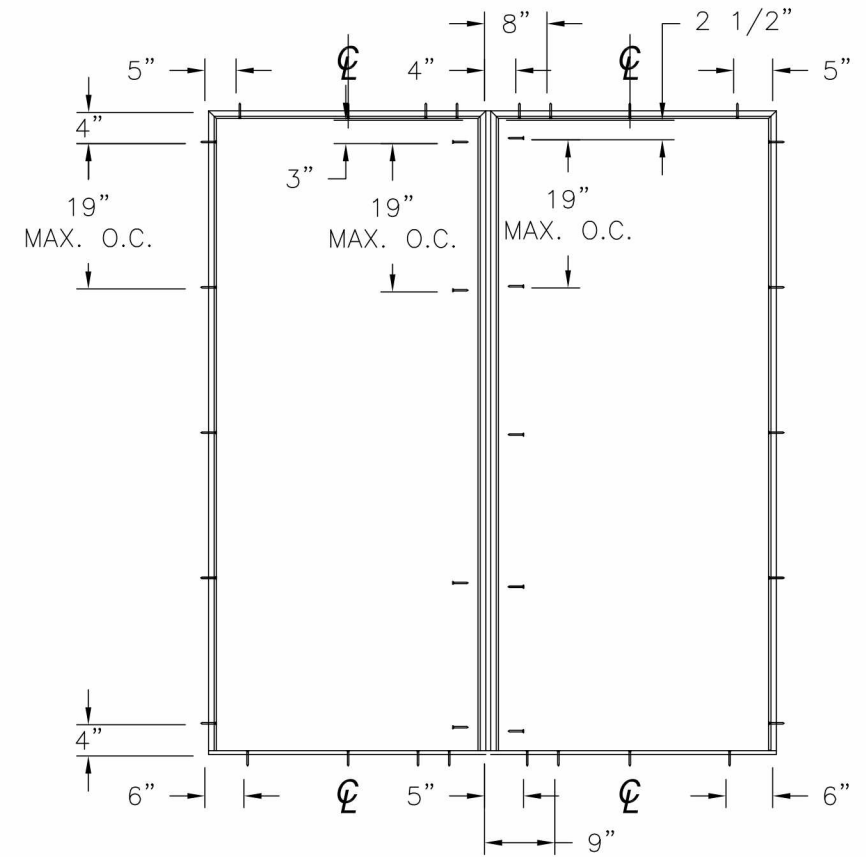
**ANCHORING LAYOUT FOR OXO, XXO AND OXX (MULL)**



**ANCHORING LAYOUT FOR X**



**ANCHORING LAYOUT FOR XX, OX AND XO**



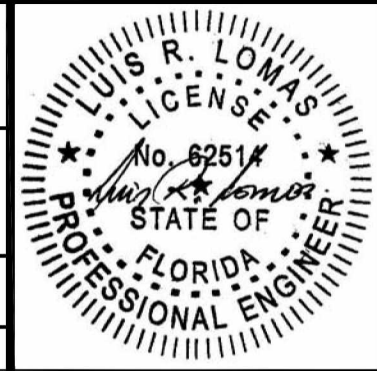
**ANCHORING LAYOUT FOR OX AND XO (MULL)**

**NAN YA PLASTICS CORP. USA**  
 8989 NORTH LOOP EAST  
 HOUSTON, TX 77029

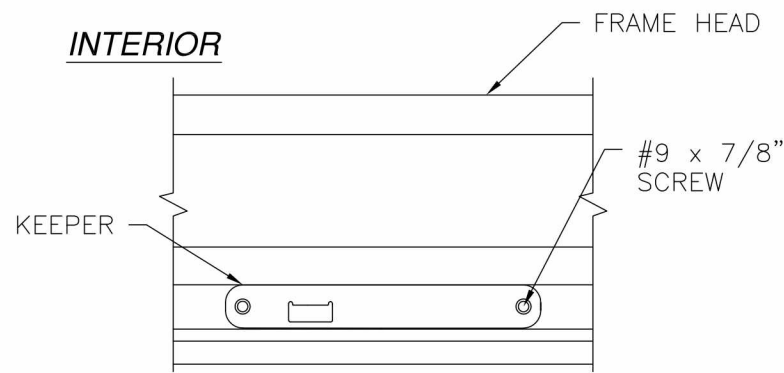
SERIES SLPS OUT-SWING SIDE-HINGED PATIO DOOR  
 NON-IMPACT  
 ANCHORING LAYOUTS

DRAWN: N.G.	DWG NO. 08-02812	REV -
SCALE NTS	DATE 09/08/15	SHEET 5 of 12

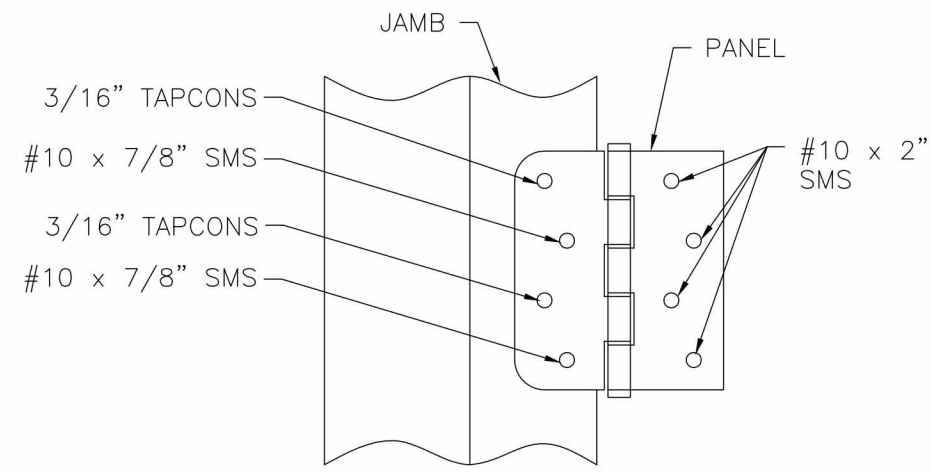
SIGNED: 09/09/2015



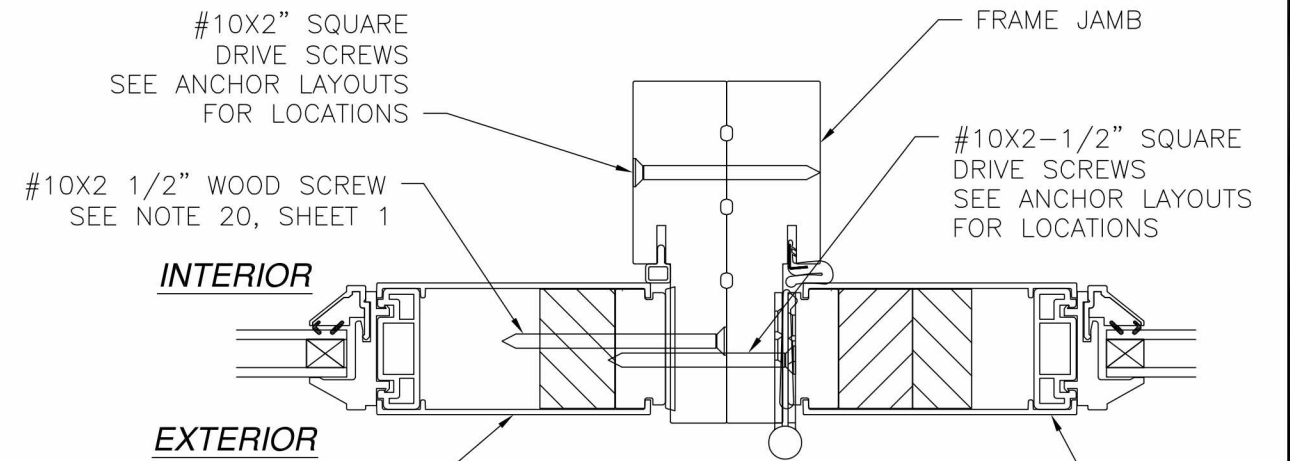
REVISIONS			
REV	DESCRIPTION	DATE	APPROVED



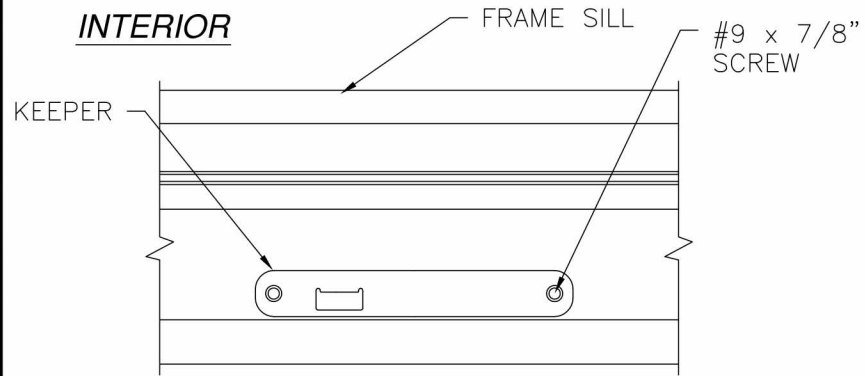
**HEAD KEEPER DETAIL**



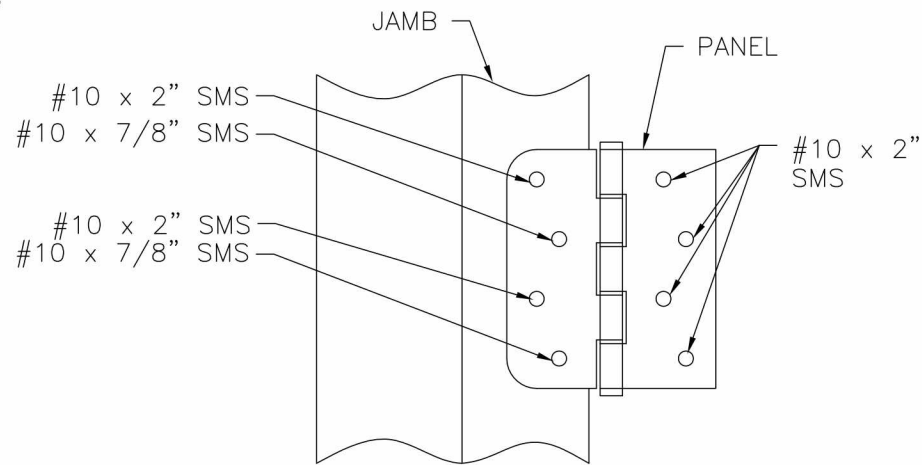
**HINGE INSTALLATION DETAIL  
MASONRY/CONCRETE INSTALLATION**



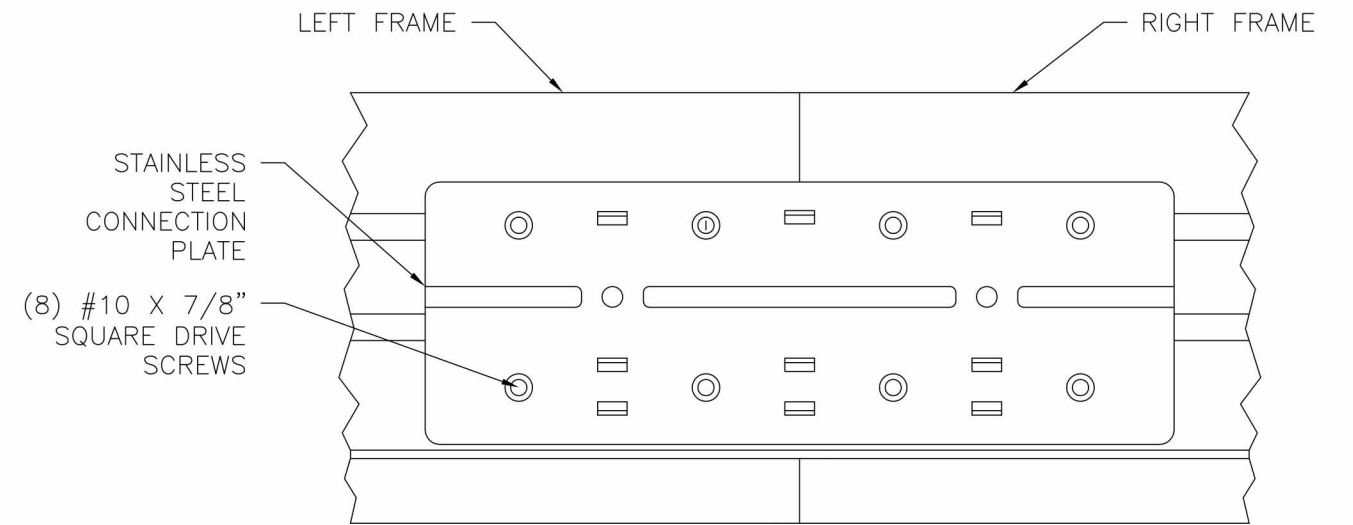
**MULLION DETAIL**



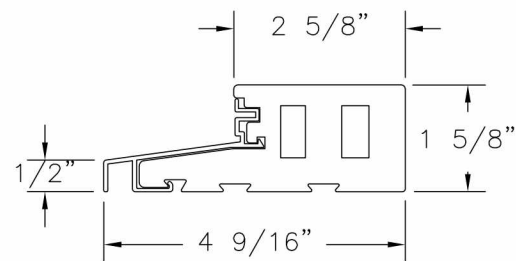
**SILL KEEPER DETAIL**



**HINGE INSTALLATION DETAIL  
WOOD FRAMING INSTALLATION**



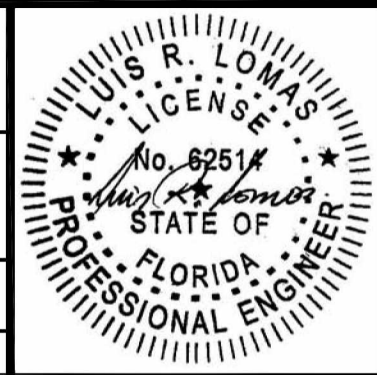
**FRAME CONNECTION DETAIL**



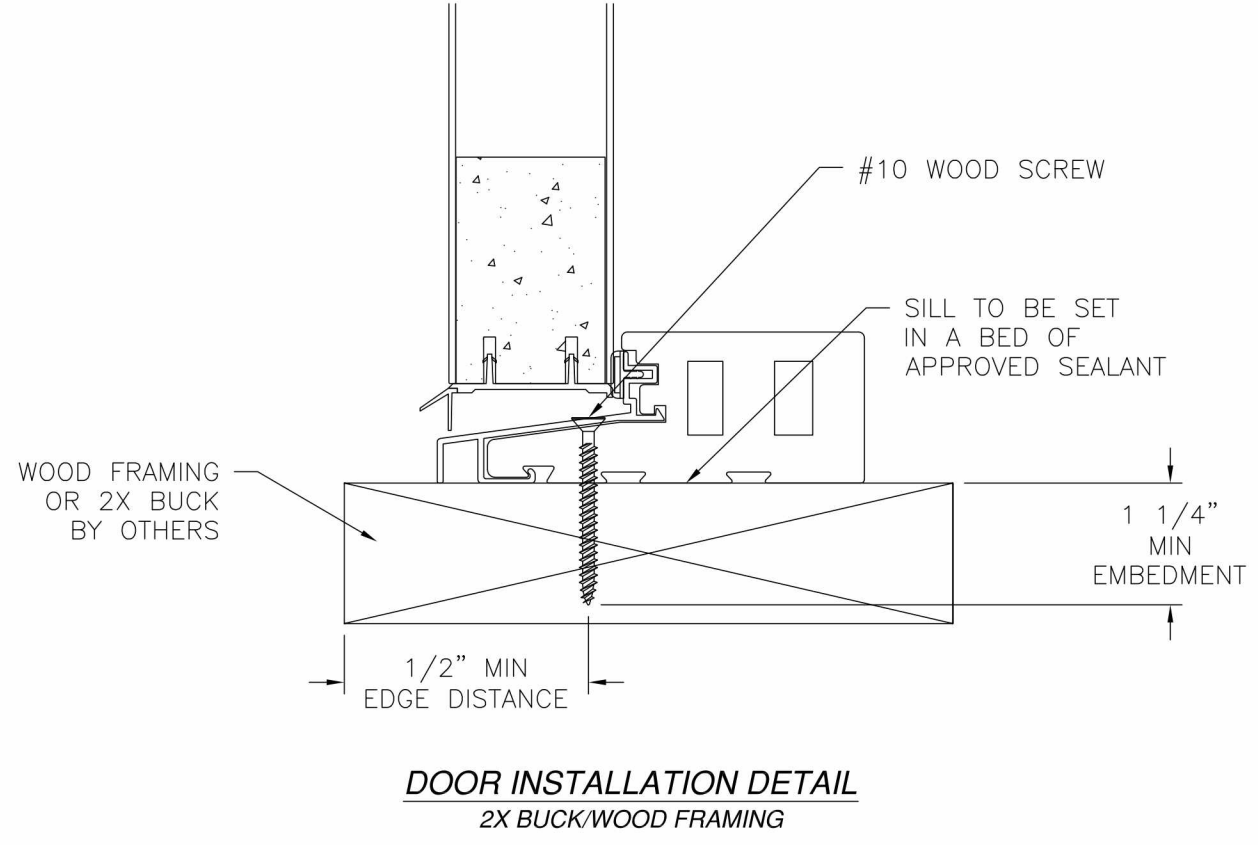
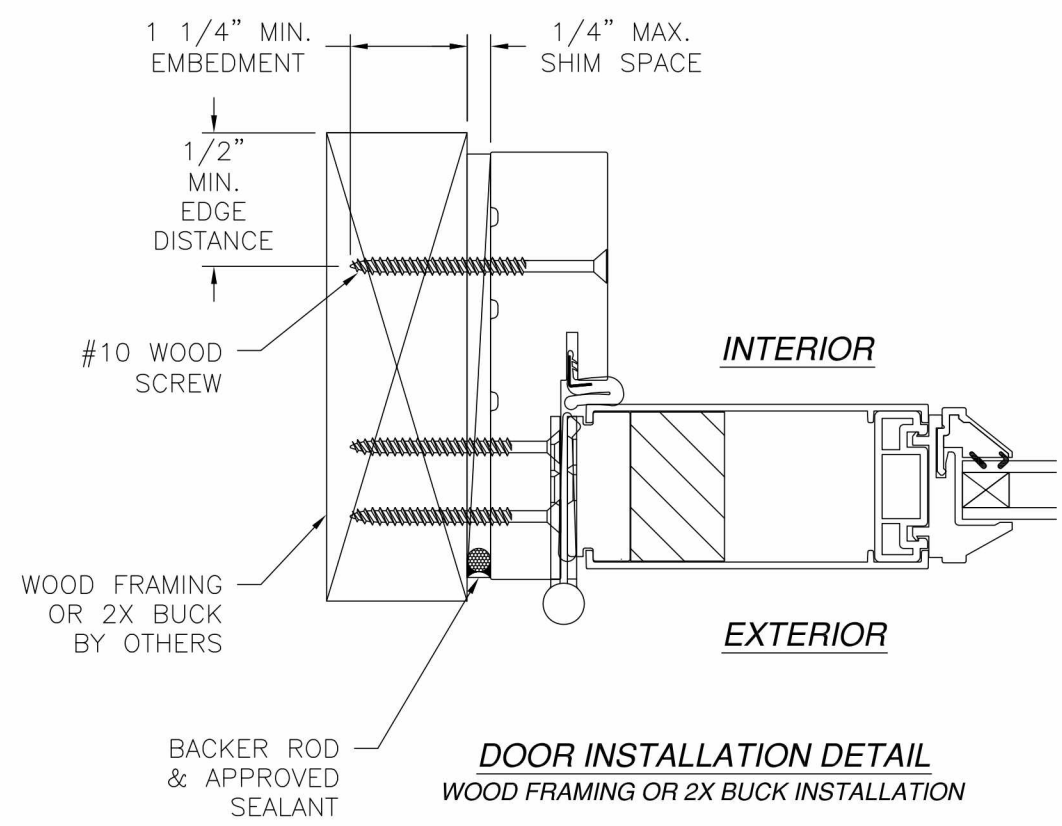
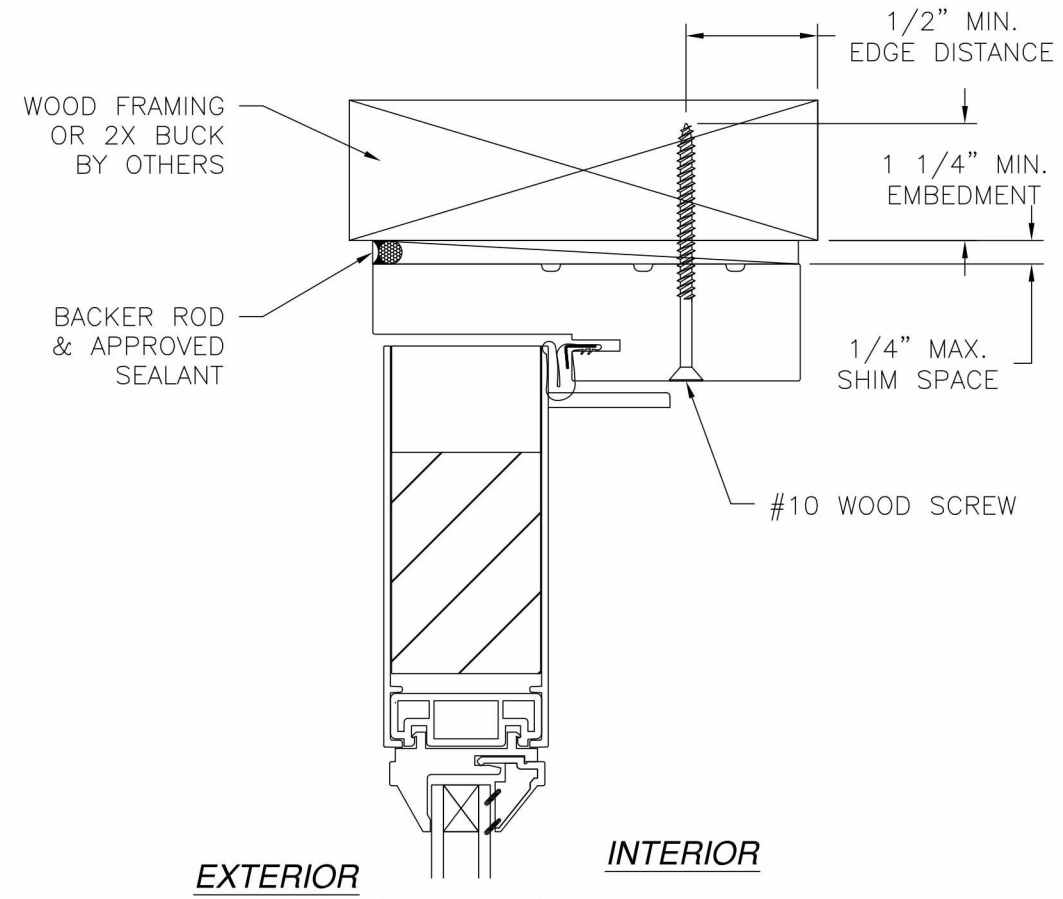
**OUTSWING DOOR SILL DETAIL**

SIGNED: 09/09/2015

<p><b>NAN YA PLASTICS CORP. USA</b> 8989 NORTH LOOP EAST HOUSTON, TX 77029</p>		
<p>SERIES SLPS OUT-SWING SIDE-HINGED PATIO DOOR NON-IMPACT INSTALLATION DETAILS</p>		
DRAWN: N.G.	DWG NO. 08-02812	REV -
SCALE NTS	DATE 09/08/15	SHEET 6 of 12



REVISIONS			
REV	DESCRIPTION	DATE	APPROVED



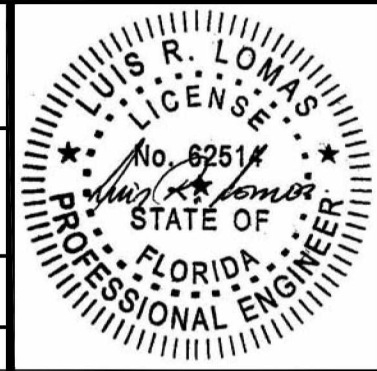
- NOTES:**
1. INTERIOR AND EXTERIOR FINISHES, BY OTHERS, NOT SHOWN FOR CLARITY.
  2. PERIMETER AND JOINT SEALANT BY OTHERS TO BE DESIGNED IN ACCORDANCE WITH ASTM E2112

**NAN YA PLASTICS CORP. USA**  
 8989 NORTH LOOP EAST  
 HOUSTON, TX 77029

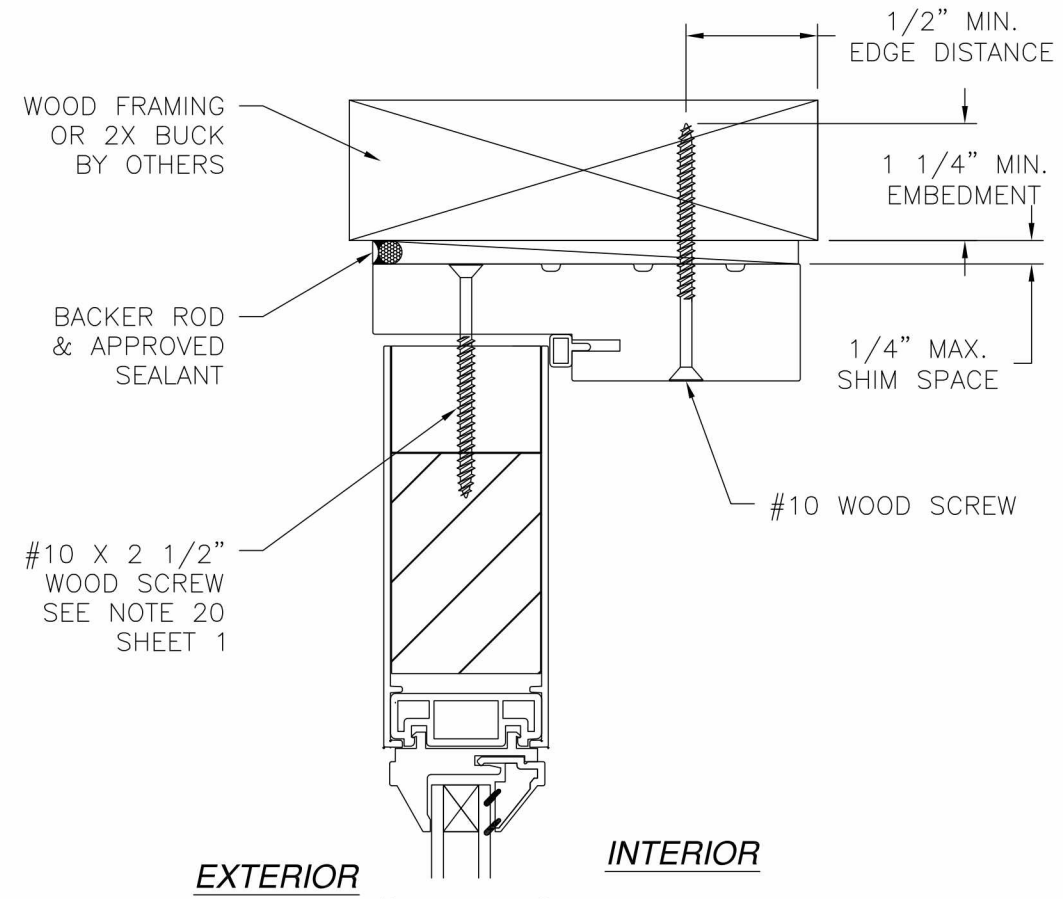
SERIES SLPS OUT-SWING SIDE-HINGED PATIO DOOR  
 NON-IMPACT  
 DOOR INSTALLATION DETAILS

DRAWN: N.G.	DWG NO. 08-02812	REV -
SCALE NTS	DATE 09/08/15	SHEET 7 of 12

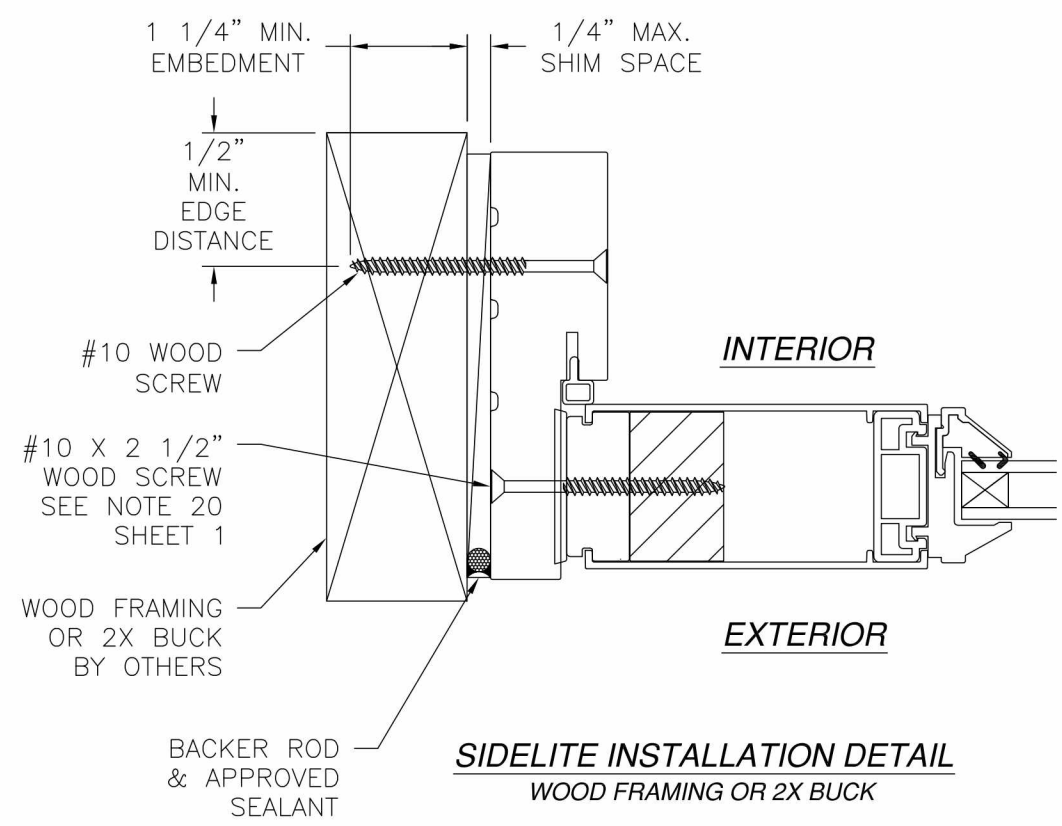
SIGNED: 09/09/2015



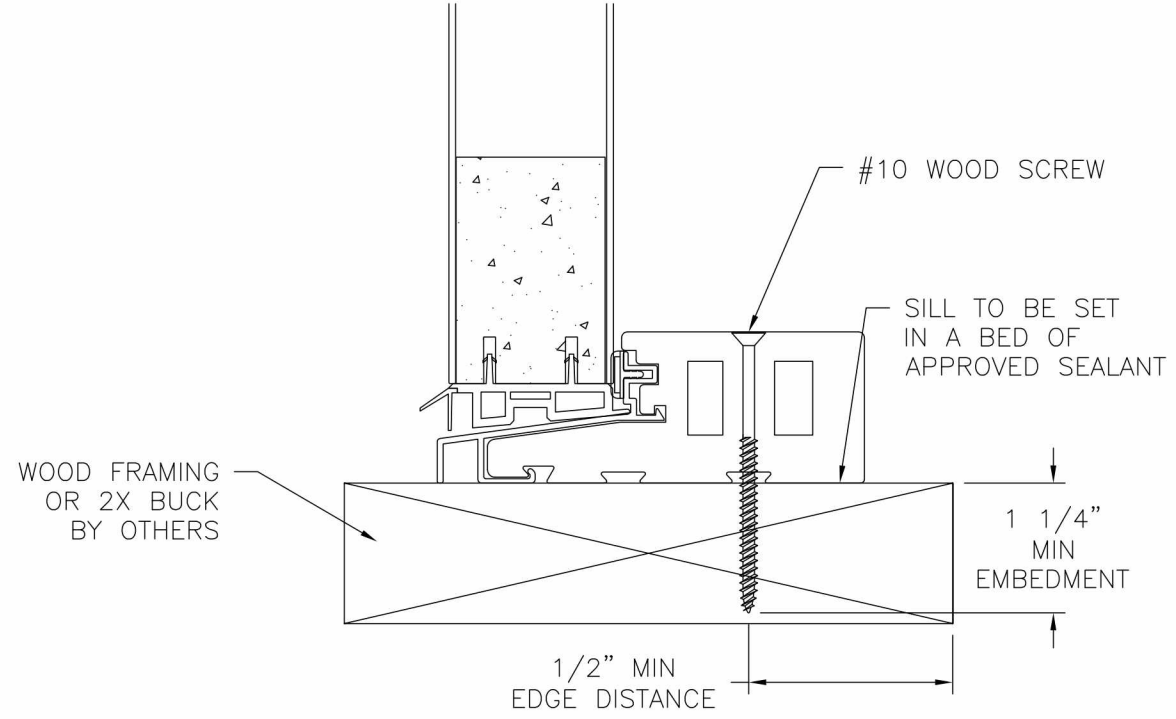
REVISIONS			
REV	DESCRIPTION	DATE	APPROVED



EXTERIOR INTERIOR



**SIDELITE INSTALLATION DETAIL**  
WOOD FRAMING OR 2X BUCK

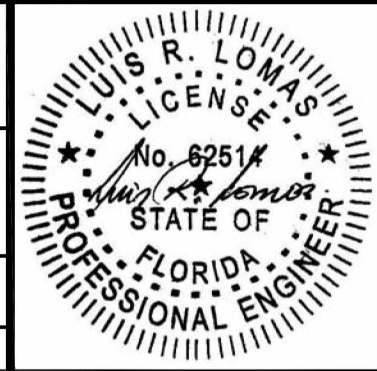


**SIDELITE DOOR INSTALLATION DETAIL**  
2X BUCK/WOOD FRAMING

- NOTES:**
1. INTERIOR AND EXTERIOR FINISHES, BY OTHERS, NOT SHOWN FOR CLARITY.
  2. PERIMETER AND JOINT SEALANT BY OTHERS TO BE DESIGNED IN ACCORDANCE WITH ASTM E2112

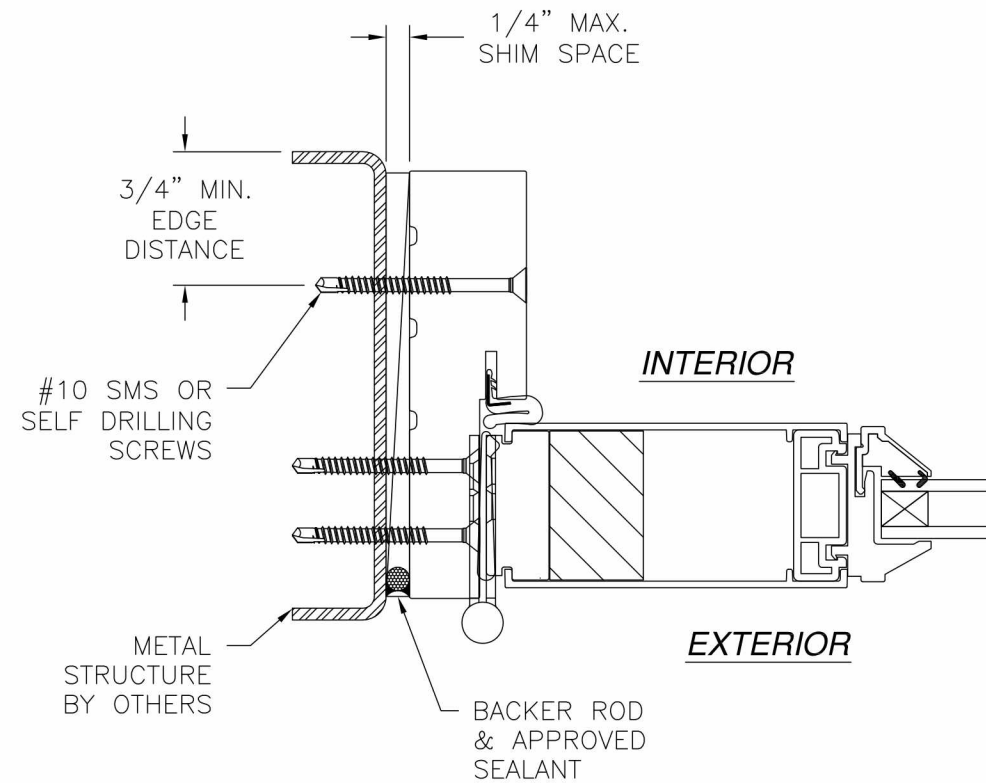
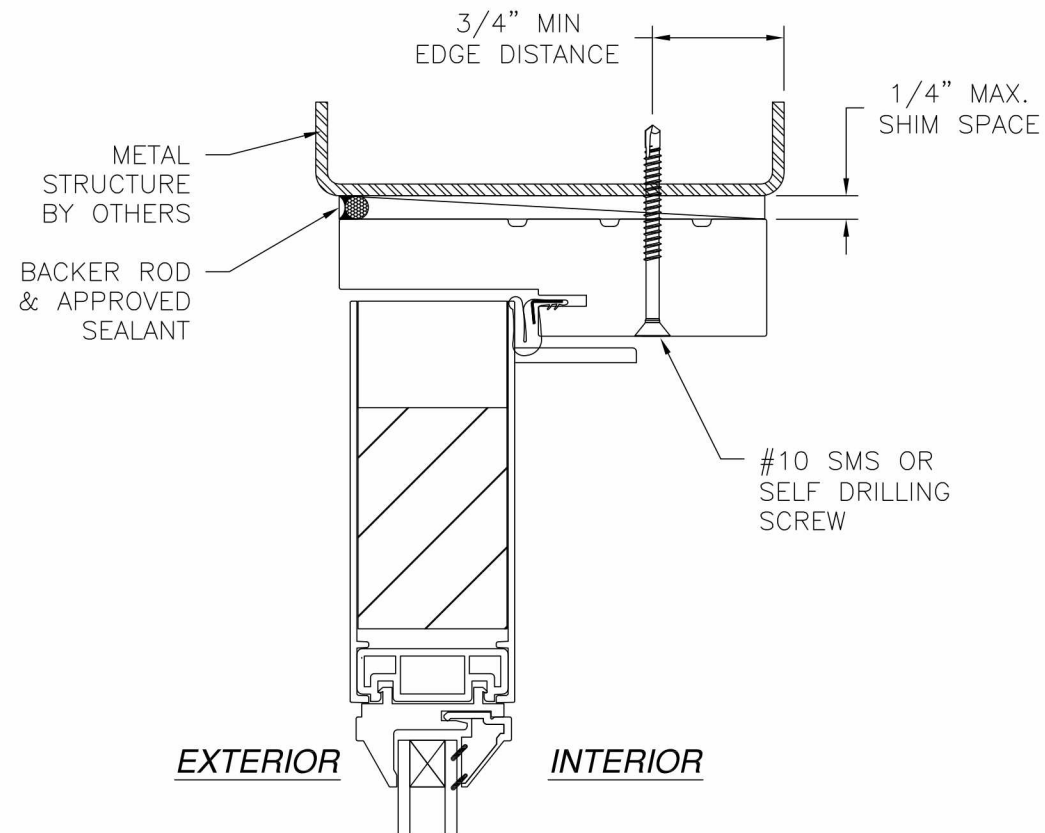
SIGNED: 09/09/2015

<p>NAN YA PLASTICS CORP. USA 8989 NORTH LOOP EAST HOUSTON, TX 77029</p>		
<p>SERIES SLPS OUT-SWING SIDE-HINGED PATIO DOOR NON-IMPACT SIDELITE INSTALLATION DETAILS</p>		
<p>DRAWN: N.G.</p>	<p>DWG NO. 08-02812</p>	<p>REV -</p>
<p>SCALE NTS</p>	<p>DATE 09/08/15</p>	<p>SHEET 8 of 12</p>

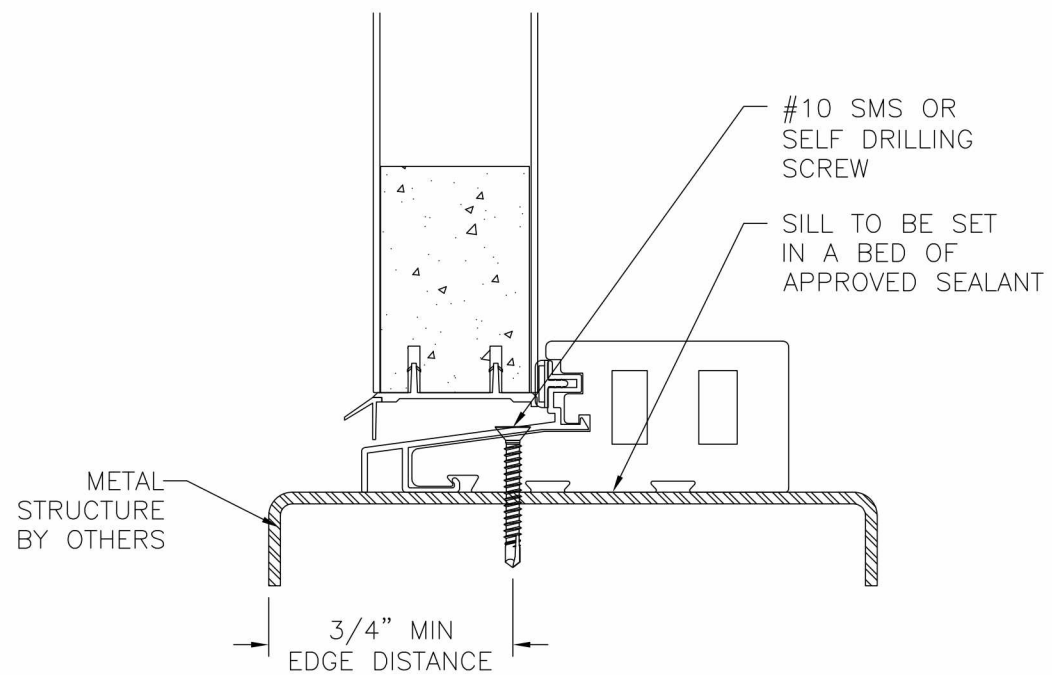




REVISIONS			
REV	DESCRIPTION	DATE	APPROVED



**DOOR INSTALLATION DETAIL**  
METAL STRUCTURE



**DOOR INSTALLATION DETAIL**  
METAL STRUCTURE

**NOTES:**

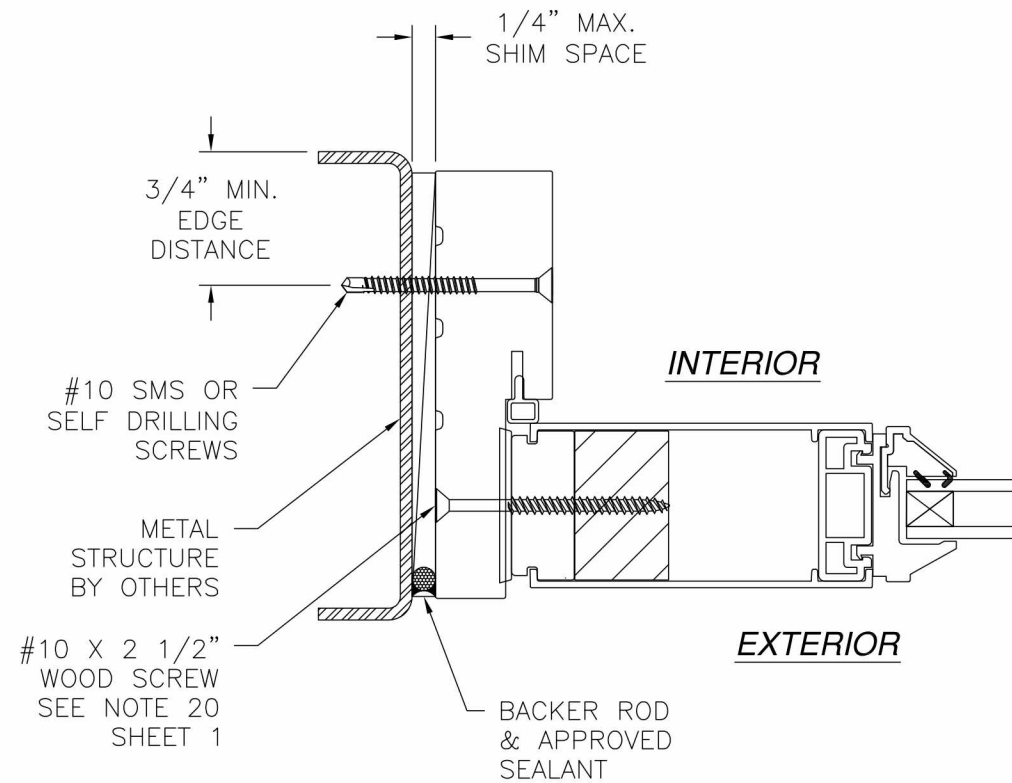
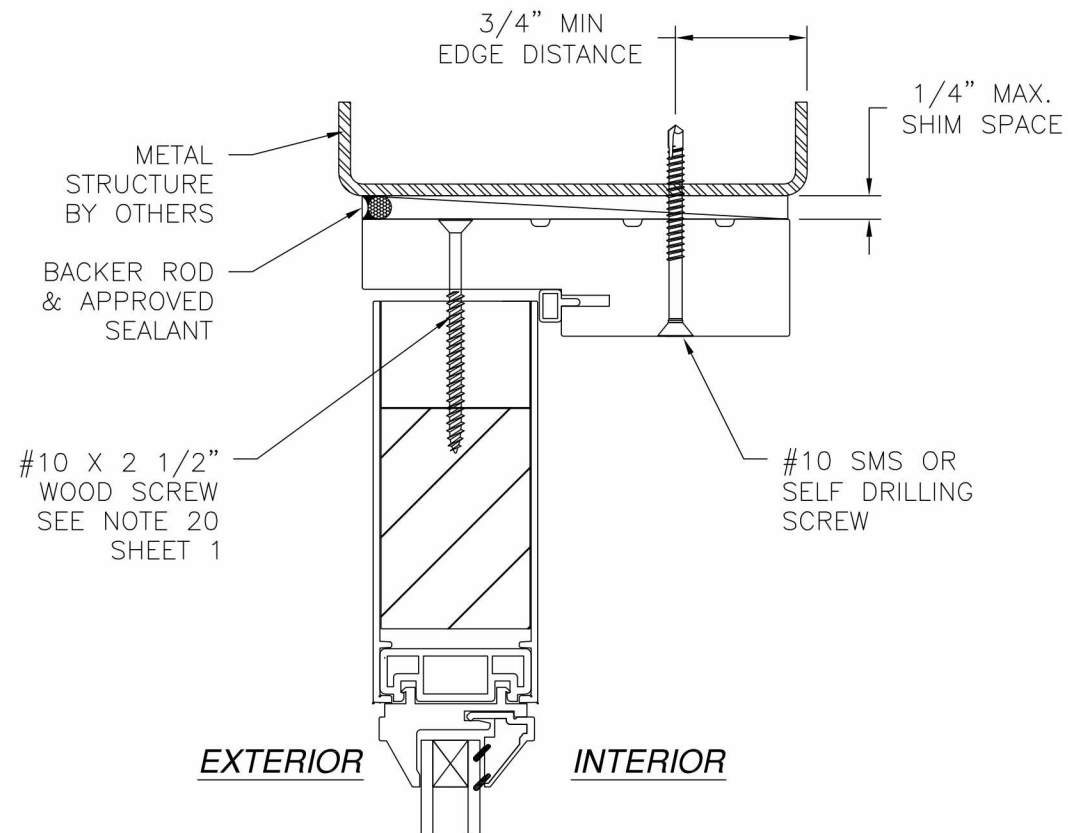
1. INTERIOR AND EXTERIOR FINISHES, BY OTHERS, NOT SHOWN FOR CLARITY.
2. PERIMETER AND JOINT SEALANT BY OTHERS TO BE DESIGNED IN ACCORDANCE WITH ASTM E2112

SIGNED: 09/09/2015

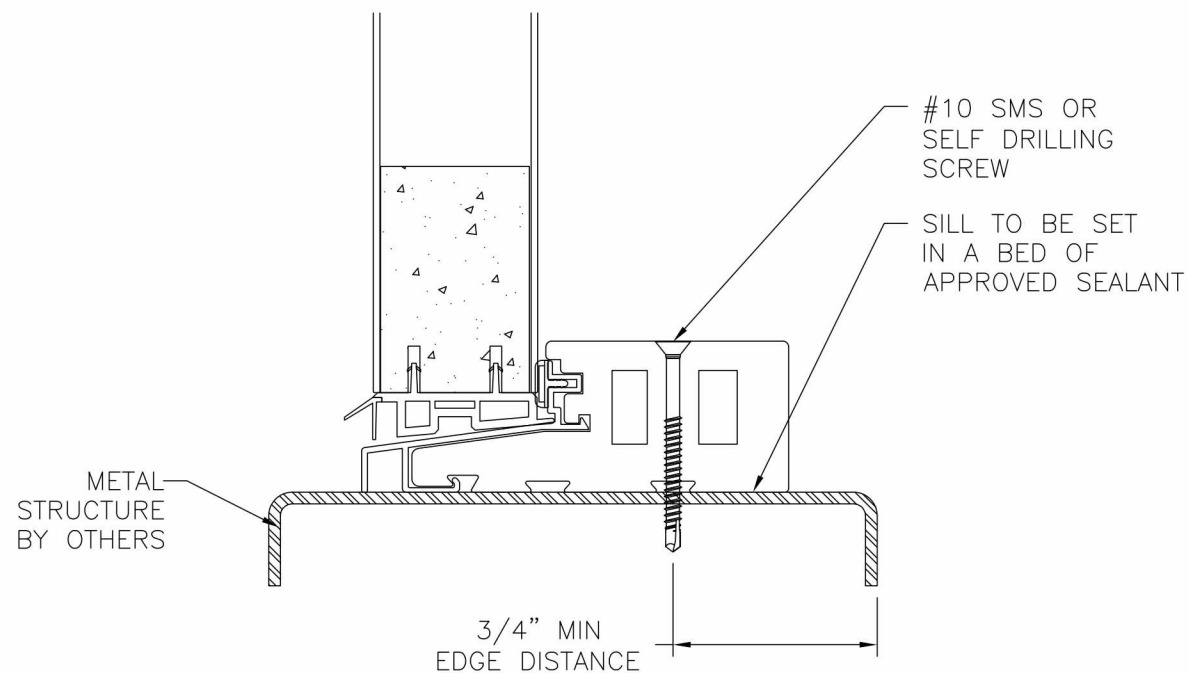
<p>NAN YA PLASTICS CORP. USA 8989 NORTH LOOP EAST HOUSTON, TX 77029</p>		
<p>SERIES SLPS OUT-SWING SIDE-HINGED PATIO DOOR NON-IMPACT DOOR INSTALLATION DETAILS</p>		
<p>DRAWN: N.G.</p>	<p>DWG NO. 08-02812</p>	<p>REV -</p>
<p>SCALE NTS</p>	<p>DATE 09/08/15</p>	<p>SHEET 9 of 12</p>



REVISIONS			
REV	DESCRIPTION	DATE	APPROVED



**SIDELITE INSTALLATION DETAIL**  
METAL STRUCTURE INSTALLATION



**SIDELITE INSTALLATION DETAIL**  
METAL STRUCTURE

**NOTES:**

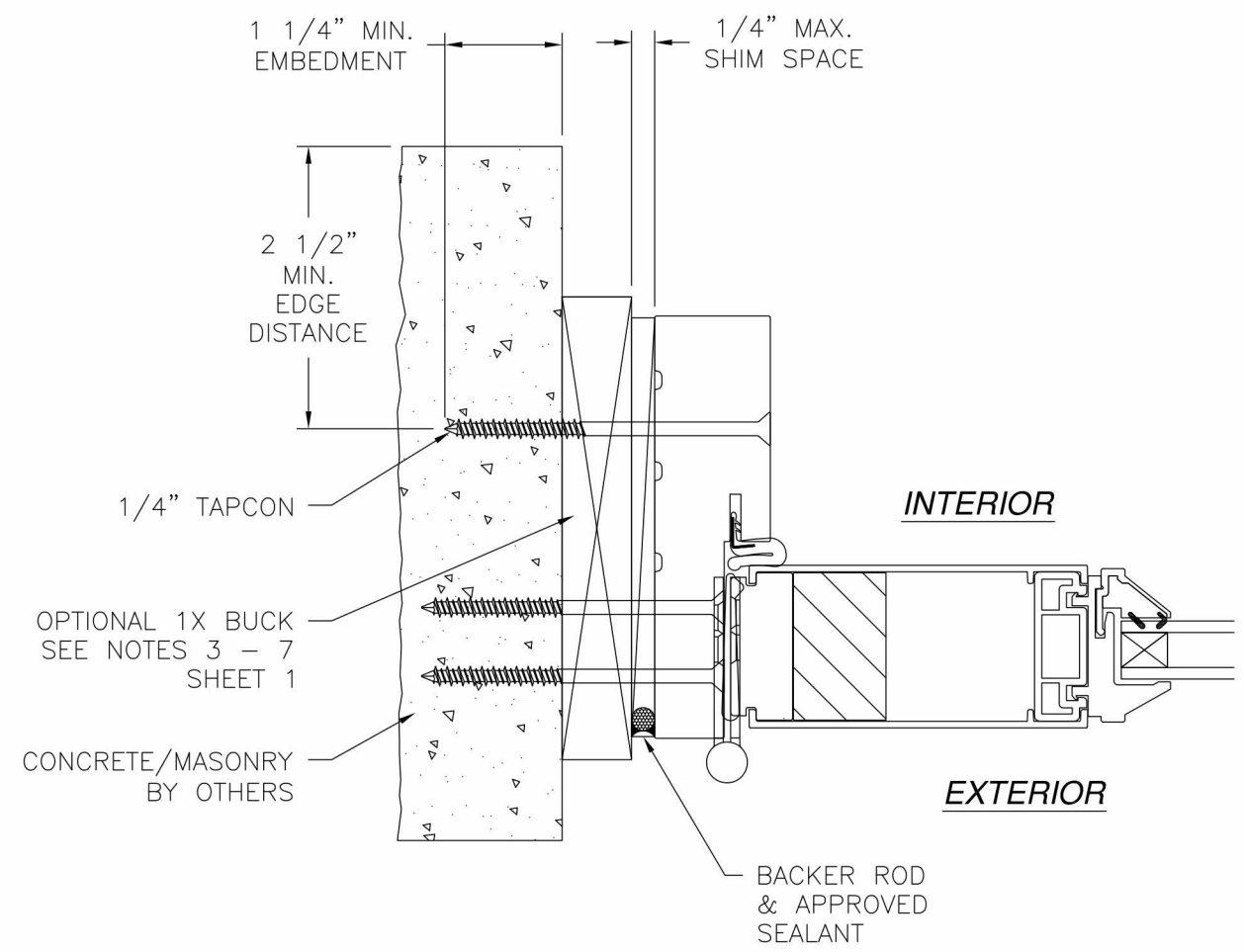
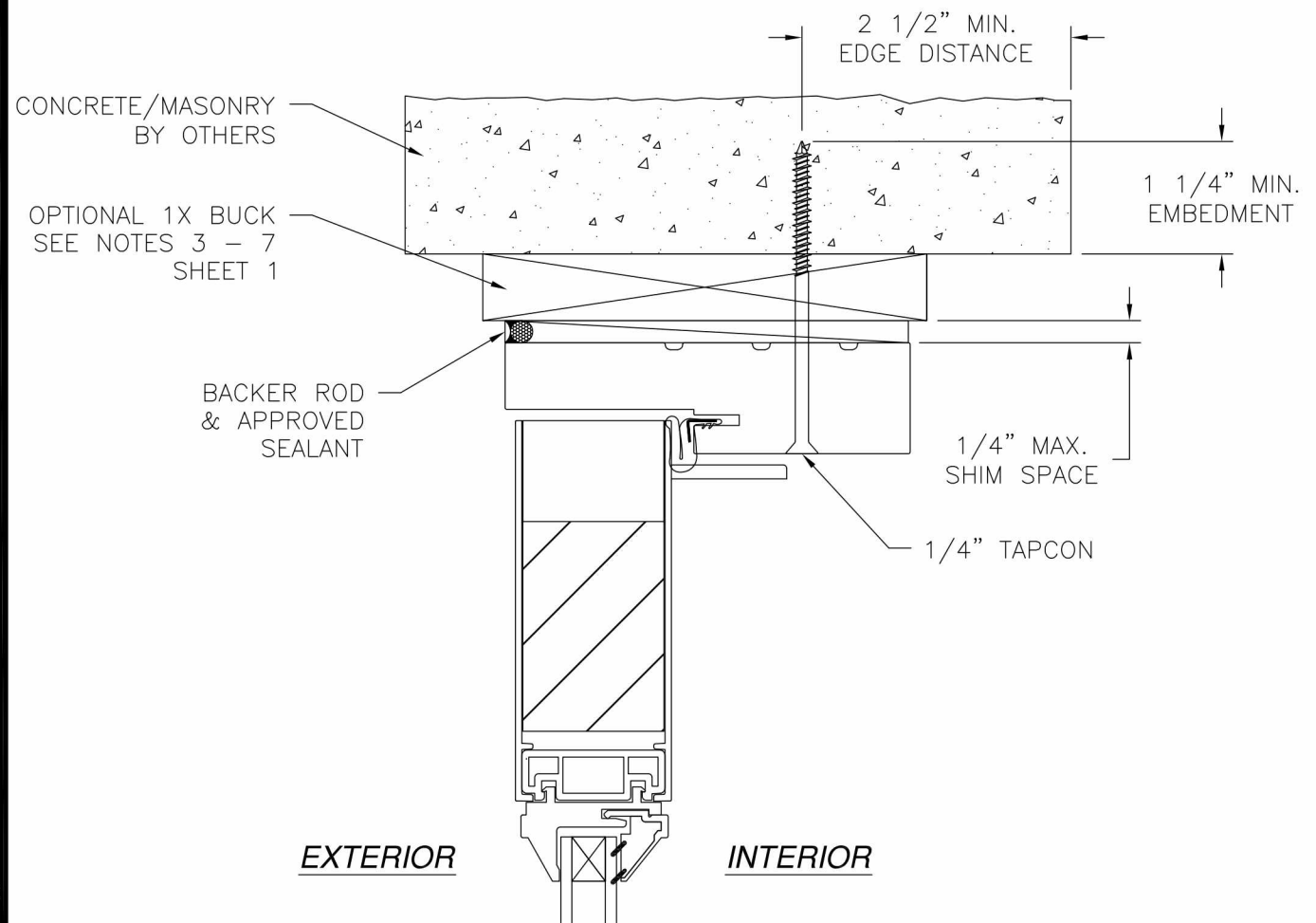
1. INTERIOR AND EXTERIOR FINISHES, BY OTHERS, NOT SHOWN FOR CLARITY.
2. PERIMETER AND JOINT SEALANT BY OTHERS TO BE DESIGNED IN ACCORDANCE WITH ASTM E2112

SIGNED: 09/09/2015

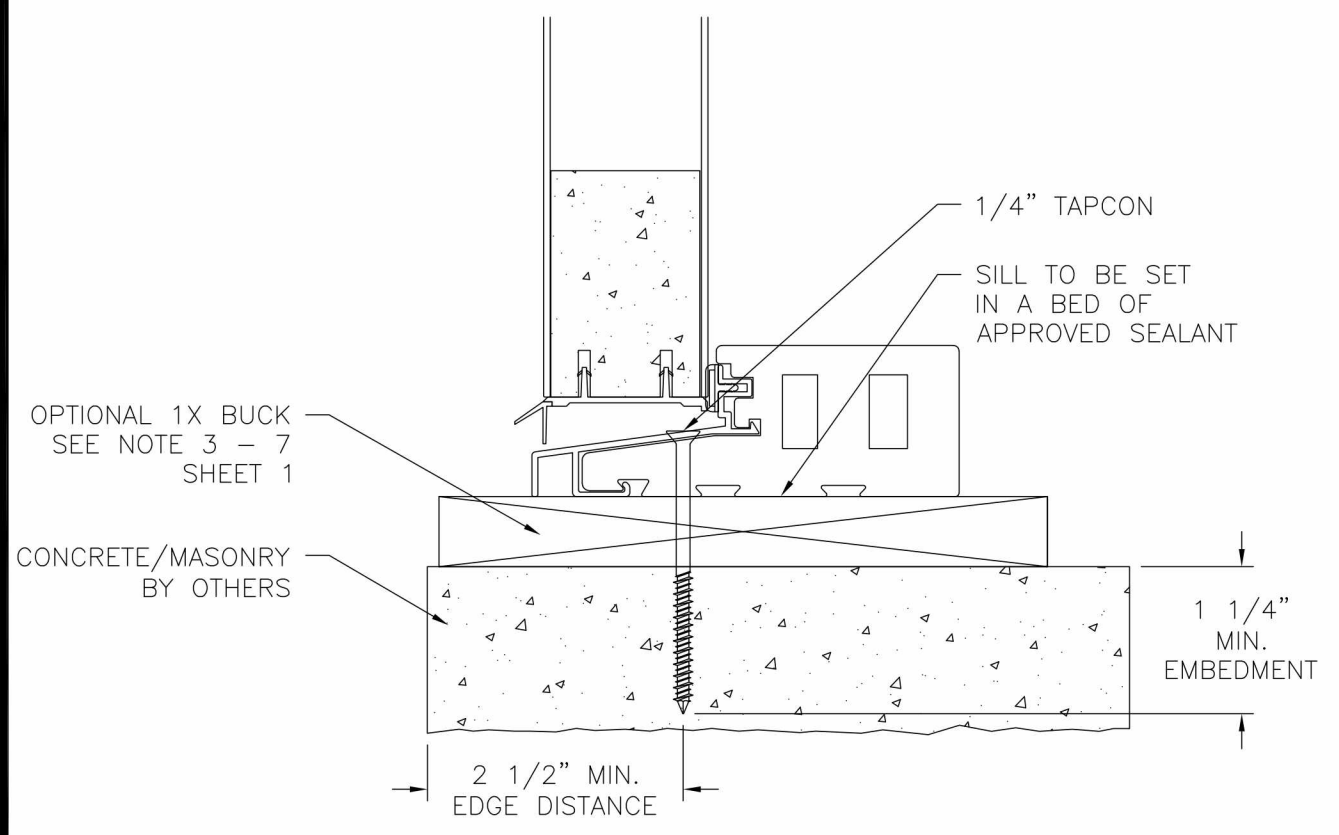
<p>NAN YA PLASTICS CORP. USA 8989 NORTH LOOP EAST HOUSTON, TX 77029</p>		
<p>SERIES SLPS OUT-SWING SIDE-HINGED PATIO DOOR NON-IMPACT SIDELITE INSTALLATION DETAILS</p>		
<p>DRAWN: N.G.</p>	<p>DWG NO. 08-02812</p>	<p>REV -</p>
<p>SCALE NTS</p>	<p>DATE 09/08/15</p>	<p>SHEET 10 of 12</p>



REVISIONS			
REV	DESCRIPTION	DATE	APPROVED



**DOOR INSTALLATION DETAIL**  
CONCRETE/MASONRY



**DOOR INSTALLATION DETAIL**  
MASONRY/CONCRETE

**NOTES:**

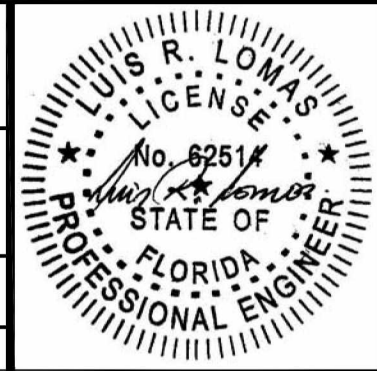
1. INTERIOR AND EXTERIOR FINISHES, BY OTHERS, NOT SHOWN FOR CLARITY.
2. PERIMETER AND JOINT SEALANT BY OTHERS TO BE DESIGNED IN ACCORDANCE WITH ASTM E2112

**NAN YA PLASTICS CORP. USA**  
8989 NORTH LOOP EAST  
HOUSTON, TX 77029

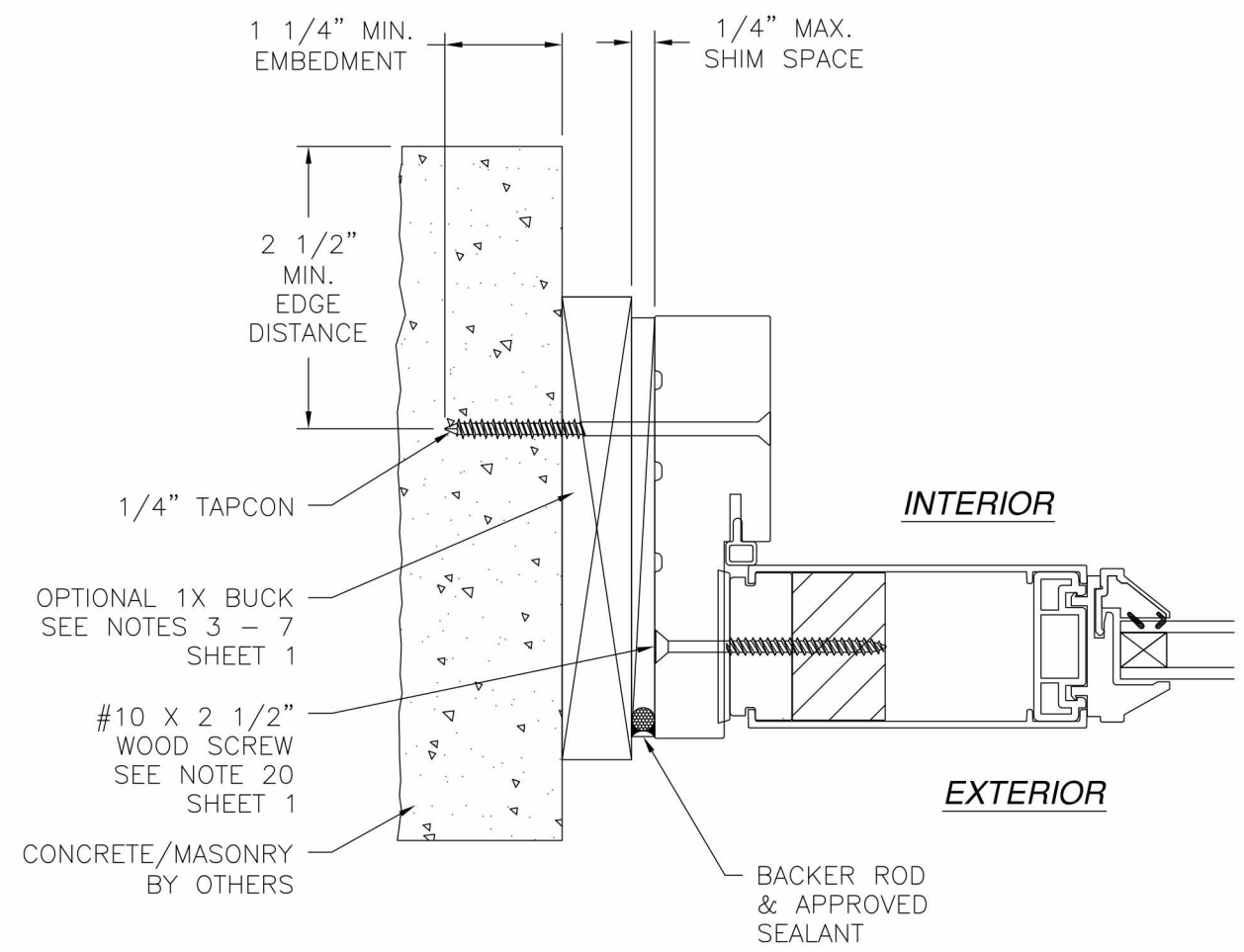
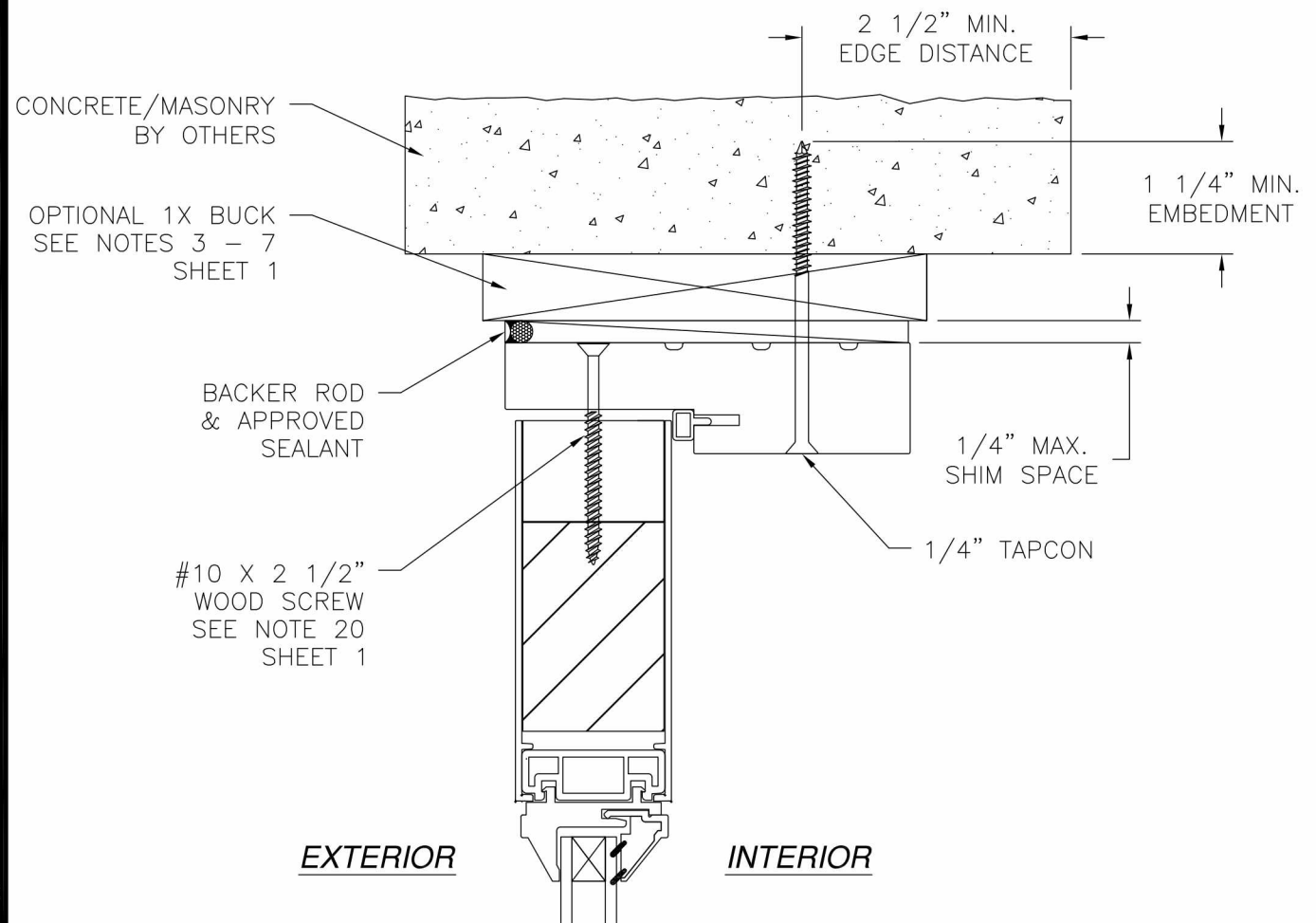
SERIES SLPS OUT-SWING SIDE-HINGED PATIO DOOR  
NON-IMPACT  
DOOR INSTALLATION DETAILS

DRAWN: N.G.	DWG NO. 08-02812	REV -
SCALE NTS	DATE 09/08/15	SHEET 11 of 12

SIGNED: 09/09/2015

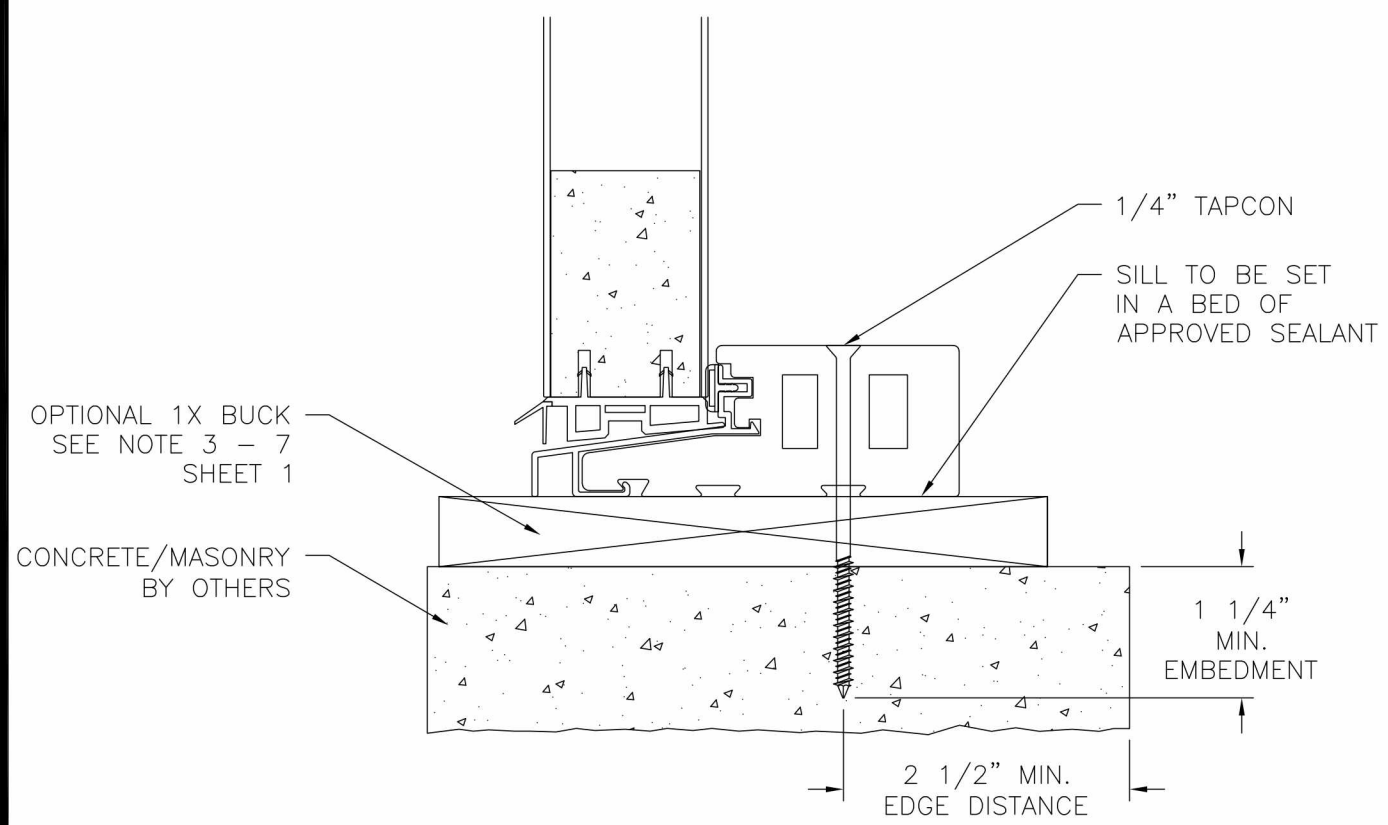


REVISIONS			
REV	DESCRIPTION	DATE	APPROVED



**SIDELITE INSTALLATION DETAIL**  
CONCRETE/MASONRY

- NOTES:**
1. INTERIOR AND EXTERIOR FINISHES, BY OTHERS, NOT SHOWN FOR CLARITY.
  2. PERIMETER AND JOINT SEALANT BY OTHERS TO BE DESIGNED IN ACCORDANCE WITH ASTM E2112



**SIDELITE INSTALLATION DETAIL**  
MASONRY/CONCRETE

SIGNED: 09/09/2015

<b>NAN YA PLASTICS CORP. USA</b> 8989 NORTH LOOP EAST HOUSTON, TX 77029		
SERIES SLPS OUT-SWING SIDE-HINGED PATIO DOOR NON-IMPACT SIDELITE INSTALLATION DETAILS		
DRAWN: N.G.	DWG NO. 08-02812	REV -
SCALE NTS	DATE 09/08/15	SHEET 12 of 12

