

REVISIONS			
REV	DESCRIPTION	DATE	APPROVED

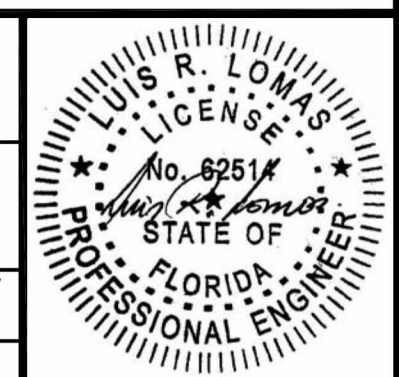
NOTES:

1. THE PRODUCT SHOWN HEREIN IS DESIGNED AND MANUFACTURED TO COMPLY WITH REQUIREMENTS OF THE FLORIDA BUILDING CODE.
2. WOOD FRAMING AND MASONRY OPENING TO BE DESIGNED AND ANCHORED TO PROPERLY TRANSFER ALL LOADS TO STRUCTURE. FRAMING AND MASONRY OPENING IS THE RESPONSIBILITY OF THE ARCHITECT OR ENGINEER OF RECORD.
3. 1X BUCK OVER MASONRY/CONCRETE IS OPTIONAL.
4. WHERE SHIM OR BUCK THICKNESS IS LESS THAN 1-1/2" WINDOW UNITS MUST BE ANCHORED THROUGH THE FRAME IN ACCORDANCE WITH MANUFACTURER'S PUBLISHED INSTALLATION INSTRUCTIONS. ANCHORS SHALL BE SECURELY FASTENED DIRECTLY INTO MASONRY, CONCRETE OR OTHER STRUCTURAL SUBSTRATE MATERIAL.
5. WHERE WOOD BUCK THICKNESS IS 1-1/2" OR GREATER, BUCK SHALL BE SECURELY FASTENED TO MASONRY, CONCRETE OR OTHER STRUCTURAL SUBSTRATE. WINDOW UNITS MAY BE ANCHORED THROUGH FRAME TO SECURED WOOD BUCK IN ACCORDANCE WITH MANUFACTURER'S PUBLISHED INSTALLATION INSTRUCTIONS.
6. WHERE 1X BUCK IS NOT USED DISSIMILAR MATERIALS MUST BE SEPARATED WITH APPROVED COATING OR MEMBRANE. SELECTION OF COATING OR MEMBRANE IS THE RESPONSIBILITY OF THE ARCHITECT OR ENGINEER OF RECORD.
7. BUCKS SHALL EXTEND BEYOND WINDOW INTERIOR FACE SO THAT FULL FRAME SUPPORT IS PROVIDED.
8. FOR FIN INSTALLATION SHIM AS NEEDED. FOR FRAME INSTALLATION SHIM AS REQUIRED AT EACH ANCHOR LOCATION WITH LOAD BEARING SHIM. SHIM WHERE SPACE OF 1/16" OR GREATER OCCURS. MAXIMUM ALLOWABLE SHIM STACK TO BE 1/4".
9. SHIMS SHALL BE LOCATED, APPLIED AND MADE FROM MATERIALS AND THICKNESS CAPABLE OF SUSTAINING APPLICABLE LOADS.
10. WIND LOAD DURATION FACTOR Cd=1.6 WAS USED FOR WOOD ANCHOR CALCULATIONS.
11. FRAME MATERIAL: CO-EXTRUDED PVC FOAM.
12. UNITS MUST BE GLAZED PER ASTM E1300-04, WITH SAFETY GLASS.
13. APPROVED IMPACT PROTECTIVE SYSTEM IS REQUIRED FOR THIS PRODUCT IN WIND BORNE DEBRIS REGIONS.
14. FOR ANCHORING INTO WOOD FRAMING OR 2X BUCK USE #10 WOOD SCREWS WITH SUFFICIENT LENGTH TO ACHIEVE A 1 1/4" MINIMUM EMBEDMENT INTO SUBSTRATE. LOCATE ANCHORS AS SHOWN IN ELEVATIONS AND INSTALLATION DETAILS.
15. FOR ANCHORING INTO MASONRY/CONCRETE USE 1/4" TAPCONS WITH SUFFICIENT LENGTH TO ACHIEVE A 1 1/4" MINIMUM EMBEDMENT INTO SUBSTRATE WITH 2 1/2" MINIMUM EDGE DISTANCE. LOCATE ANCHORS AS SHOWN IN ELEVATIONS AND INSTALLATION DETAILS.
16. FOR ANCHORING INTO METAL STRUCTURE USE #10 SMS OR SELF DRILLING SCREWS WITH SUFFICIENT LENGTH TO ACHIEVE 3 THREADS MINIMUM BEYOND STRUCTURE INTERIOR WALL. LOCATE ANCHORS AS SHOWN IN ELEVATIONS AND INSTALLATION DETAILS.
17. ALL FASTENERS TO BE CORROSION RESISTANT.
18. INSTALLATION ANCHORS SHALL BE INSTALLED IN ACCORDANCE WITH ANCHOR MANUFACTURER'S INSTALLATION INSTRUCTIONS AND ANCHORS SHALL NOT BE USED IN SUBSTRATES WITH STRENGTHS LESS THAN THE MINIMUM STRENGTH SPECIFIED BELOW:
 - A. WOOD - MINIMUM SPECIFIC GRAVITY OF G=0.42
 - B. CONCRETE - MINIMUM COMPRESSIVE STRENGTH OF 3,192 PSI.
 - C. MASONRY - STRENGTH CONFORMANCE TO ASTM C-90, GRADE N, TYPE 1 (OR GREATER).
 - D. METAL STRUCTURE: STEEL 18GA, 33KSI OR ALUMINUM 6063-T5 1/8" THICK MINIMUM
19. APPROVED CONFIGURATIONS: X, X/O, O/X, OX, XO, OX/O, XO/O, XX, XX/O, O/XX, OXX, XXO, OXX/O AND O/XXO, SEE SHEET 3.
20. SIDELITES ARE ASSEMBLED TO FRAME WITH #10X2 1/2" WOOD SCREWS LOCATED 4" FROM EACH END AND 18 1/2" MAX O.C. THEREAFTER AT JAMBS AND 4" FROM EACH END AND ONE AT MIDSPAN AT HEAD AND SILL.

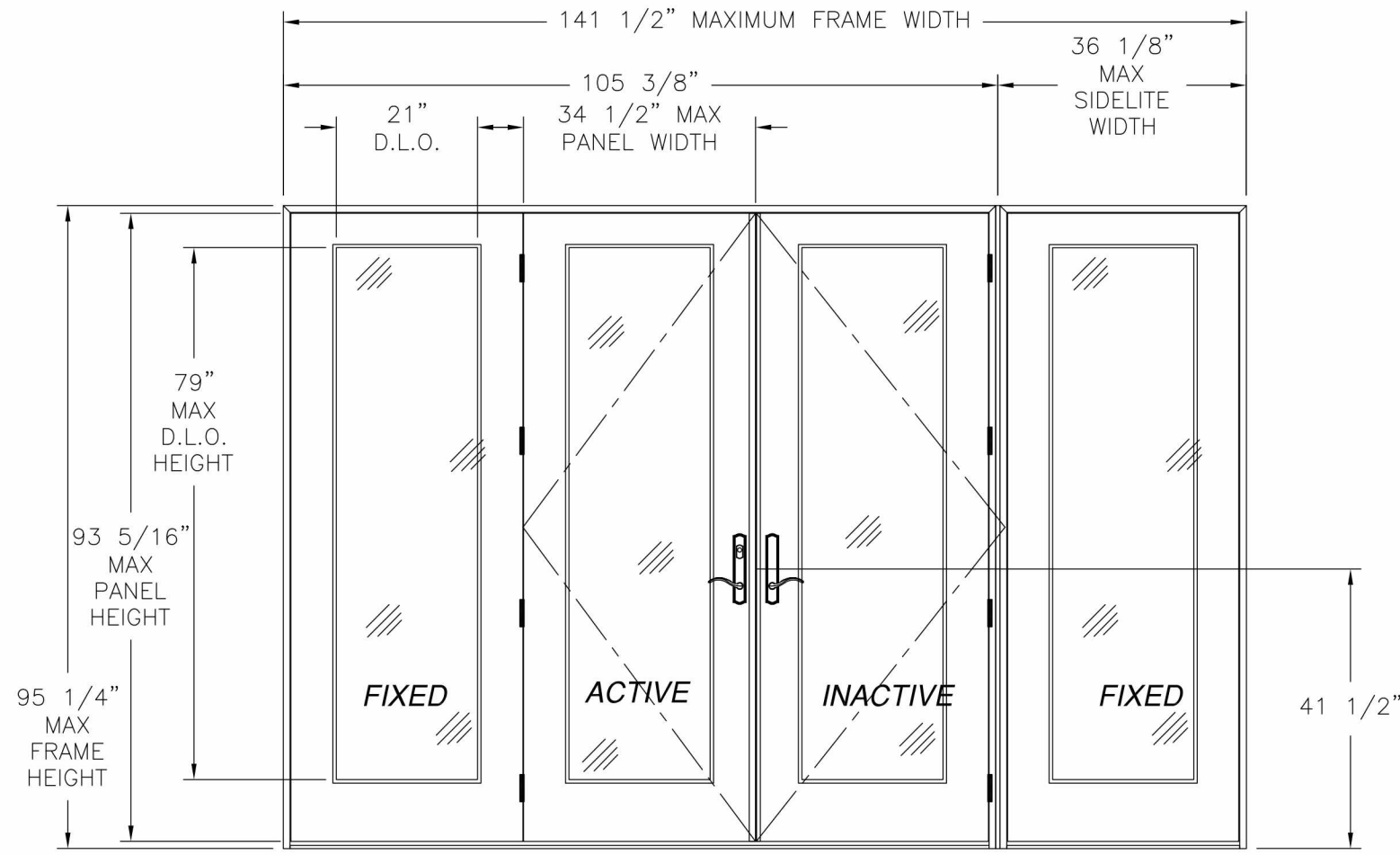
SIGNED: 09/09/2015

TABLE OF CONTENTS	
SHEET NO.	DESCRIPTION
1	NOTES
2	ELEVATION
3	ADDITIONAL CONFIGURATIONS AND HARDWARE
4 - 5	ANCHORING LAYOUTS
6 - 12	INSTALLATION DETAILS

NAN YA PLASTICS CORP. USA 8989 NORTH LOOP EAST HOUSTON, TX 77029		
SERIES SLPS OUT SWING GLAZED FIBERGLASS SIDE HINGED PATIO DOOR 8'0 NON-IMPACT NOTES		
DRAWN: N.G.	DWG NO. 08-02813	REV -
SCALE NTS	DATE 09/08/15	SHEET 1 OF 12



REVISIONS			
REV	DESCRIPTION	DATE	APPROVED



SERIES SLPS OUT-SWING GLAZED FIBERGLASS SIDE-HINGE PATIO DOOR W/ SIDELITE
EXTERIOR VIEW

DESIGN PRESSURE RATING	IMPACT RATING
±60.0PSF	NONE

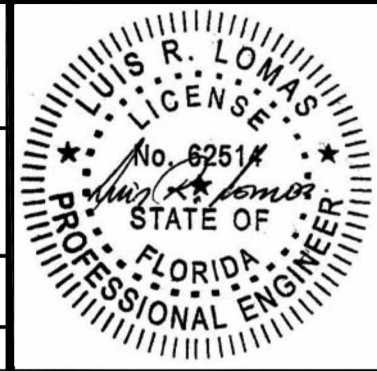
HARDWARE SCHEDULE	
A	MULTI-POINT LOCK AT ACTIVE PANEL
B	(4) 4"x4" BUTT HINGES BY WENZHOU LONGTAI (PER PANEL)
C	ALUMINUM & PVC FOAM ASTRAGAL BY NAN YA PLASTICS

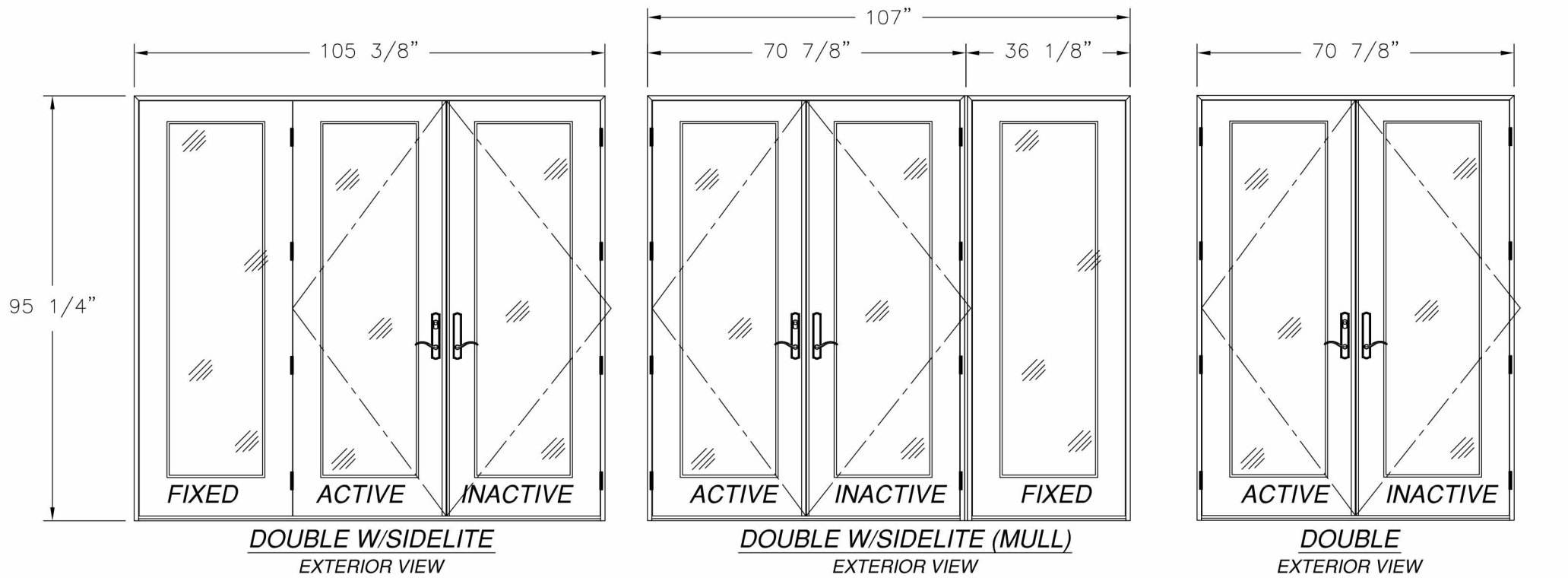
NAN YA PLASTICS CORP. USA
8989 NORTH LOOP EAST
HOUSTON, TX 77029

SERIES SLPS OUT SWING GLAZED FIBERGLASS
SIDE HINGED PATIO DOOR 8'0 NON-IMPACT
ELEVATION

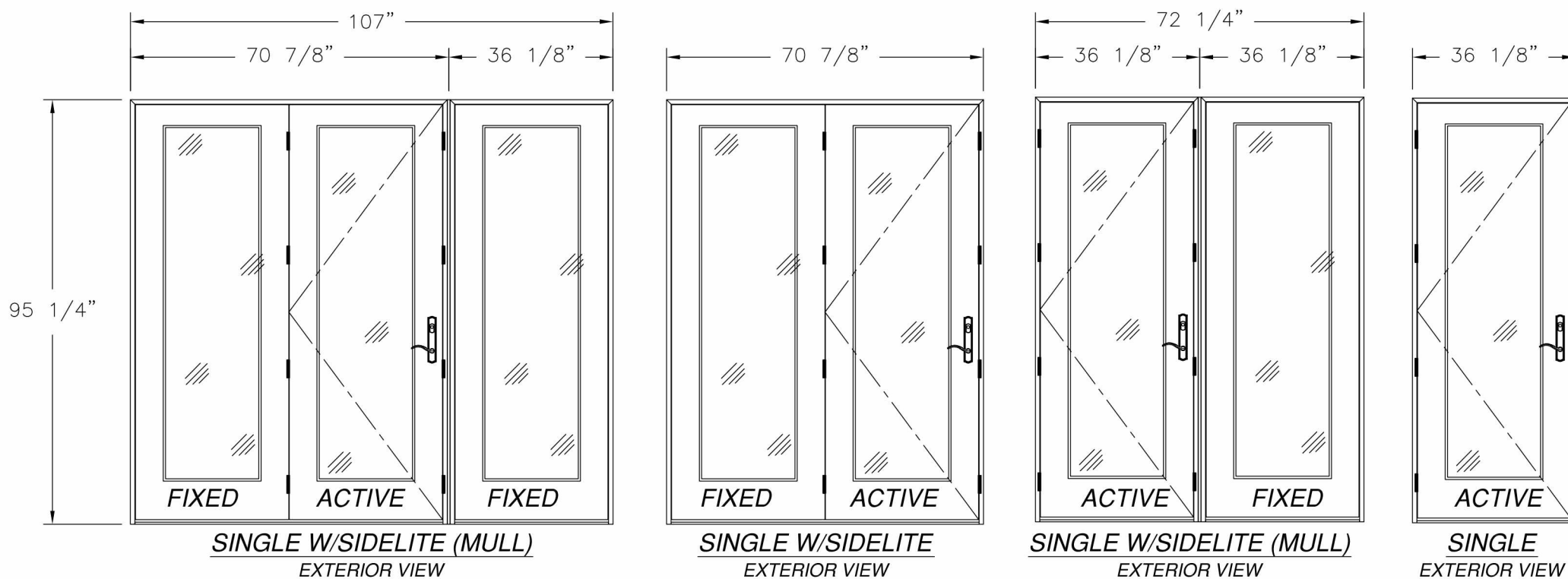
DRAWN: N.G.	DWG NO. 08-02813	REV -
SCALE NTS	DATE 09/08/15	SHEET 2 OF 12

SIGNED: 09/09/2015





REVISIONS			
REV	DESCRIPTION	DATE	APPROVED



SIGNED: 09/09/2015

NOTE:
ALL APPROVED CONFIGURATIONS ARE SHOWN AS LEFT HAND ACTIVE, RIGHT HAND ACTIVE IS ALSO APPROVED.

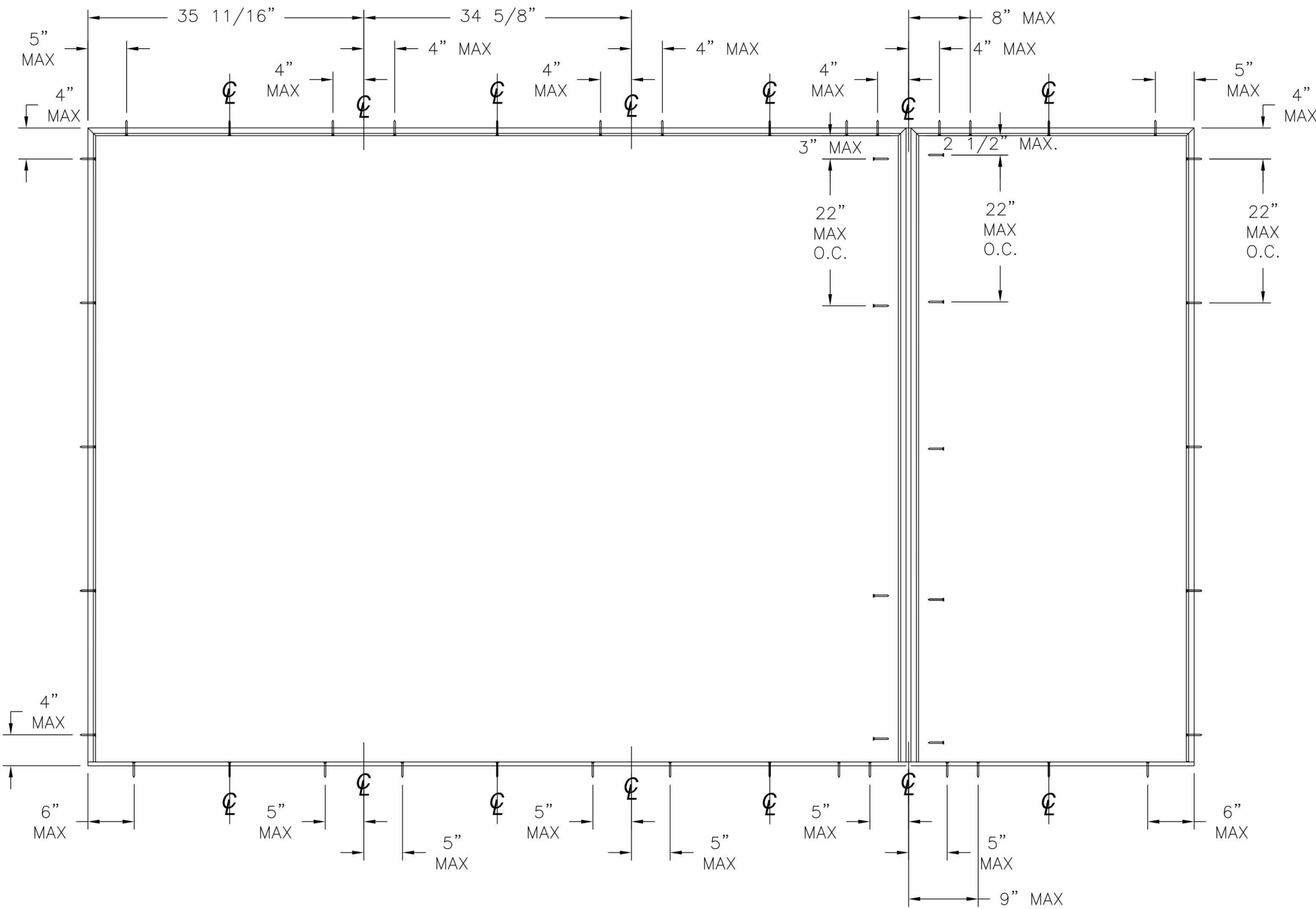
NAN YA PLASTICS CORP. USA
 8989 NORTH LOOP EAST
 HOUSTON, TX 77029

SERIES SLPS OUT SWING GLAZED FIBERGLASS
 SIDE HINGED PATIO DOOR 8'0 NON-IMPACT
 APPROVED ELEVATIONS

DRAWN: N.G.	DWG NO. 08-02813	REV -
SCALE NTS	DATE 09/08/15	SHEET 3 OF 12



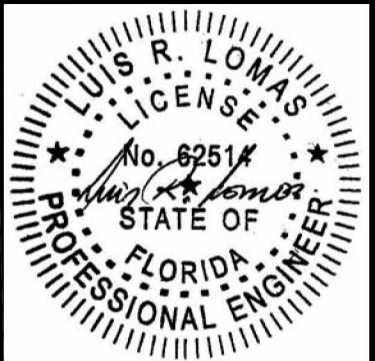
REVISIONS			
REV	DESCRIPTION	DATE	APPROVED



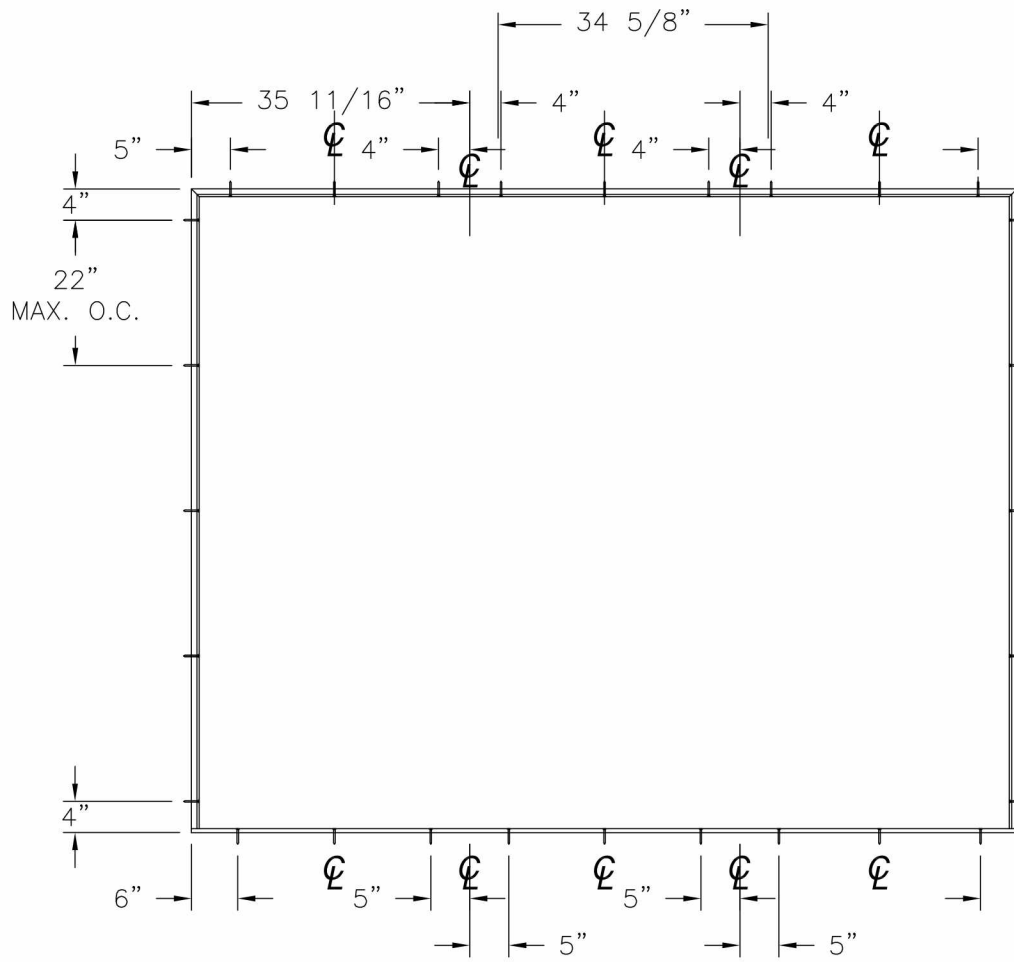
ANCHORING LAYOUT

SIGNED: 09/09/2015

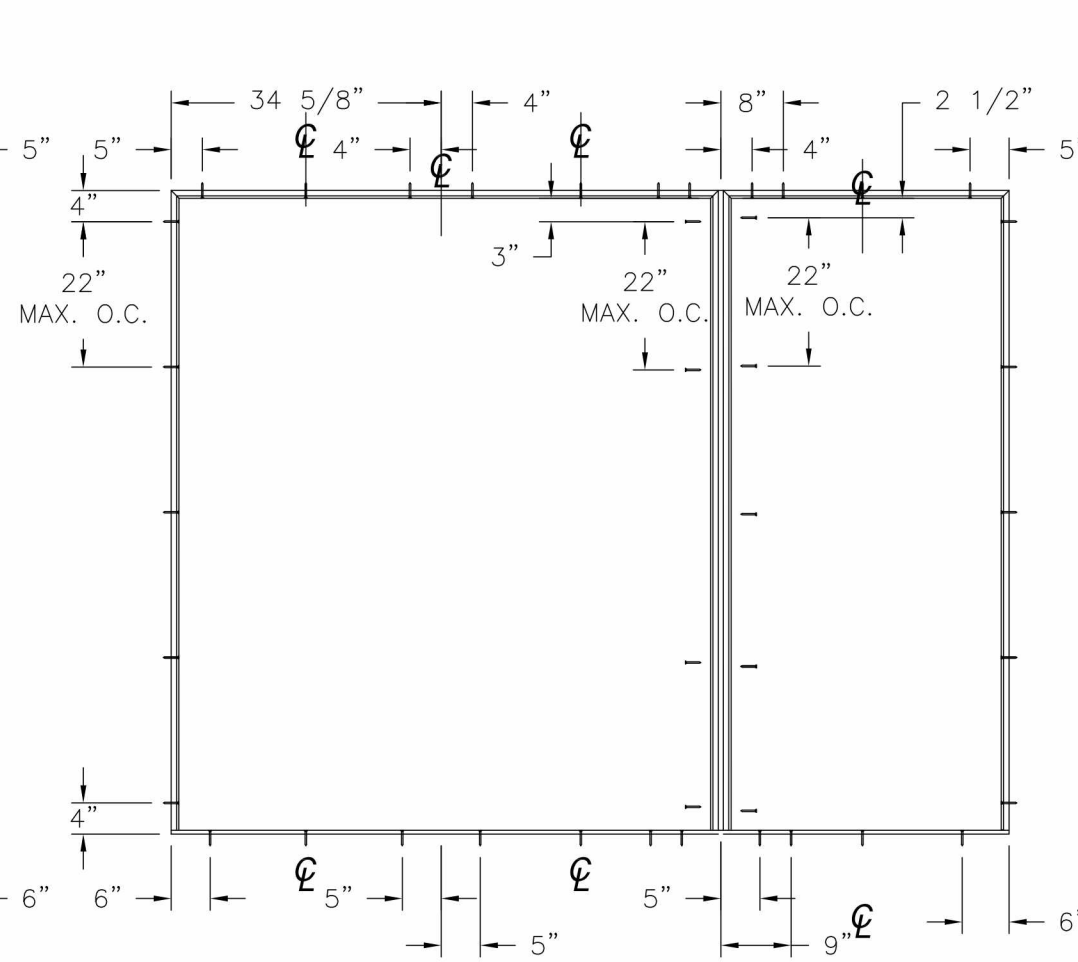
<p>NAN YA PLASTICS CORP. USA 8989 NORTH LOOP EAST HOUSTON, TX 77029</p>		
<p>SERIES SLPS OUT SWING GLAZED FIBERGLASS SIDE HINGED PATIO DOOR 8'0 NON-IMPACT ANCHORING LAYOUT</p>		
<p>DRAWN: N.G.</p>	<p>DWG NO. 08-02813</p>	<p>REV -</p>
<p>SCALE NTS</p>	<p>DATE 09/08/15</p>	<p>SHEET 4 OF 12</p>



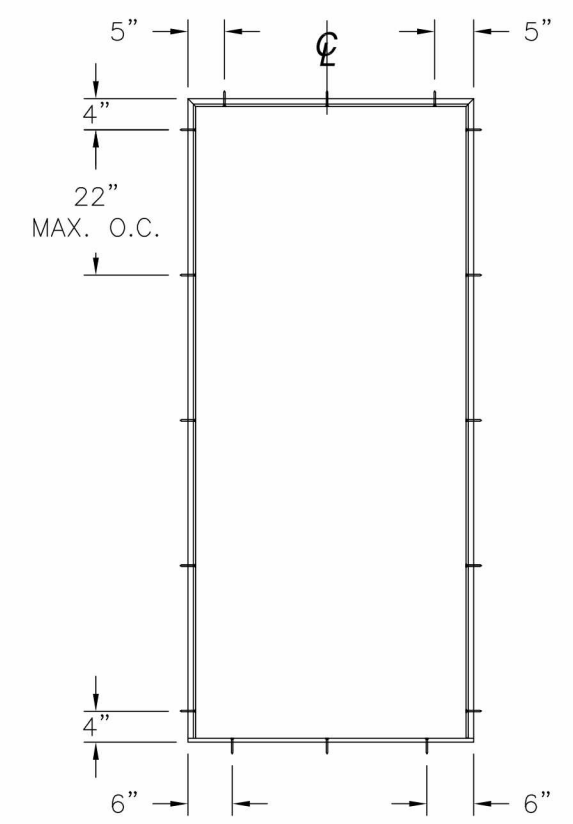
REVISIONS			
REV	DESCRIPTION	DATE	APPROVED



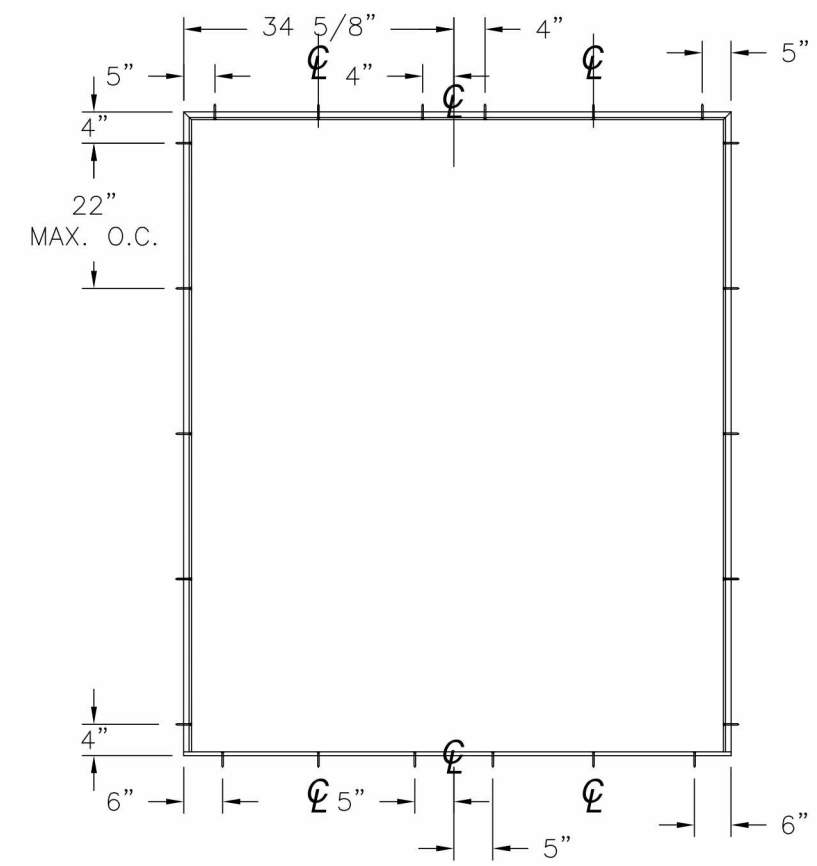
ANCHORING LAYOUT FOR OXO, XXO AND OXX



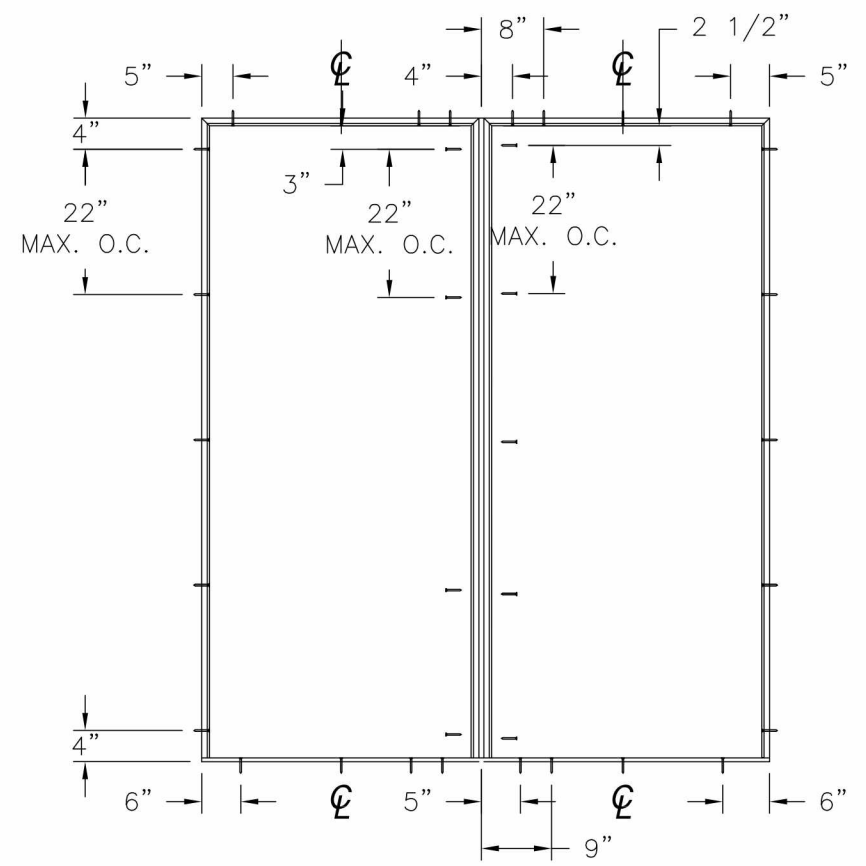
ANCHORING LAYOUT FOR OXO, XXO AND OXX (MULL)



ANCHORING LAYOUT FOR X



ANCHORING LAYOUT FOR XX, OX AND XO



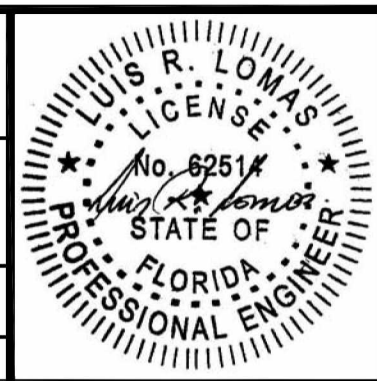
ANCHORING LAYOUT FOR OX AND XO (MULL)

SIGNED: 09/09/2015

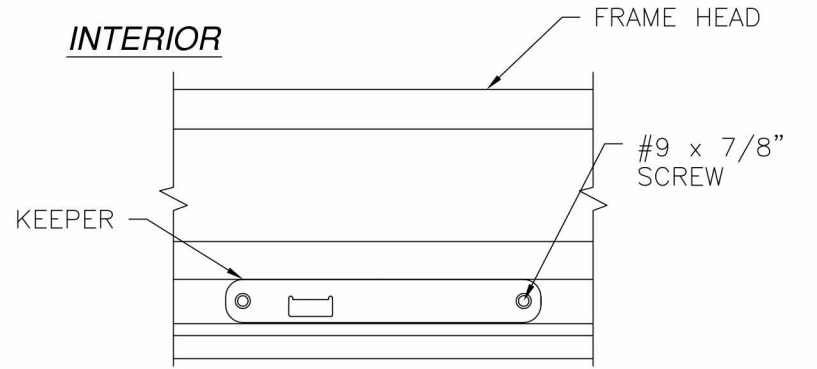
NAN YA PLASTICS CORP. USA
 8989 NORTH LOOP EAST
 HOUSTON, TX 77029

SERIES SLPS OUT SWING GLAZED FIBERGLASS
 SIDE HINGED PATIO DOOR 8'0 NON-IMPACT
 ANCHORING LAYOUTS

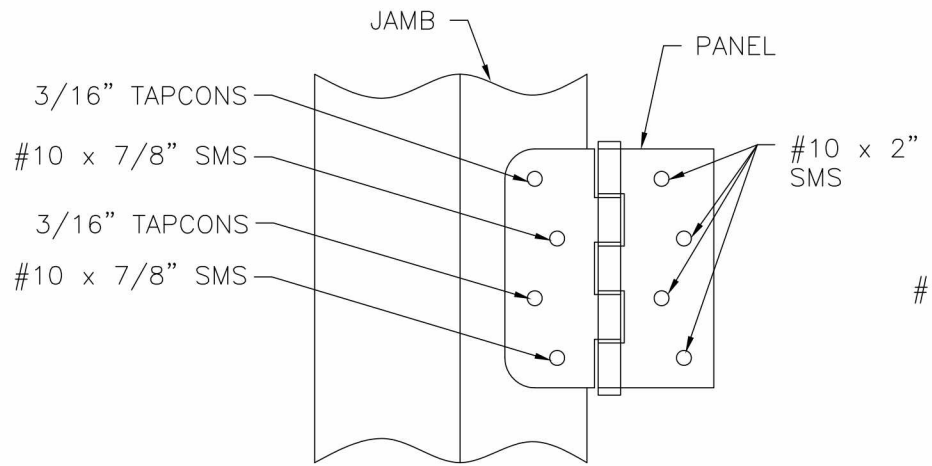
DRAWN: N.G.	DWG NO. 08-02813	REV -
SCALE NTS	DATE 09/08/15	SHEET 5 OF 12



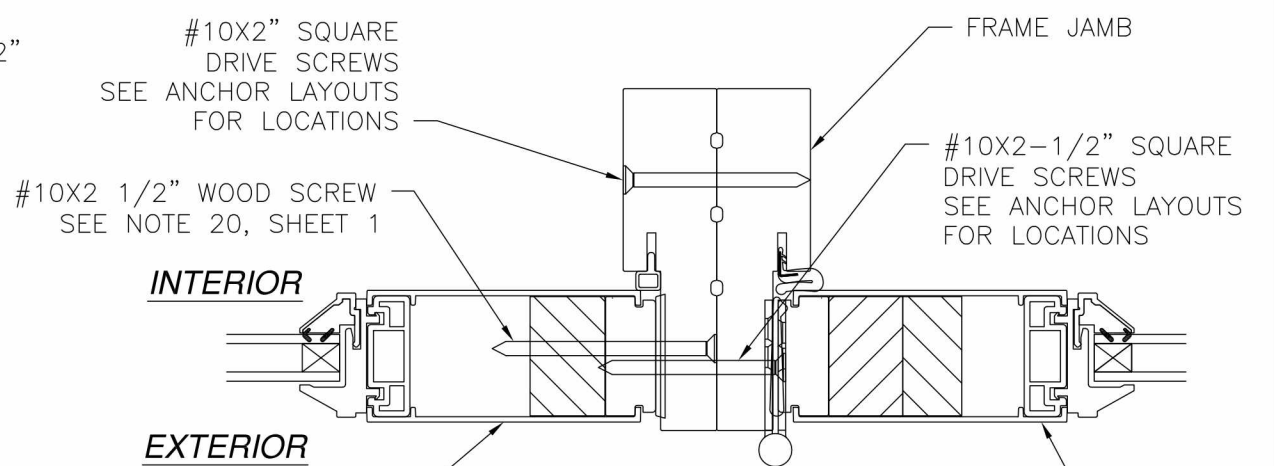
REVISIONS			
REV	DESCRIPTION	DATE	APPROVED



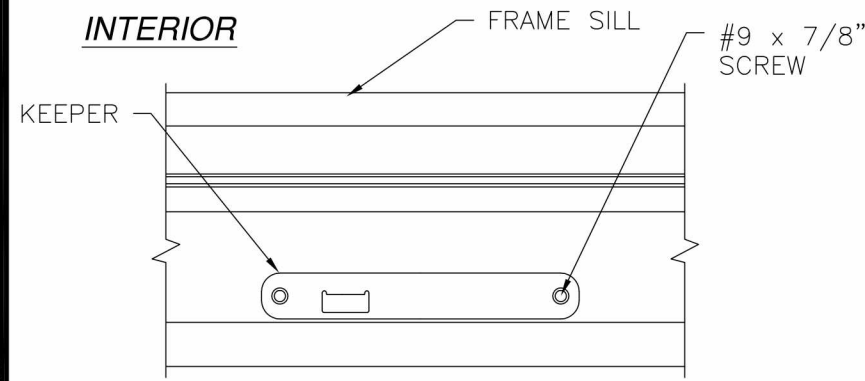
HEAD KEEPER DETAIL



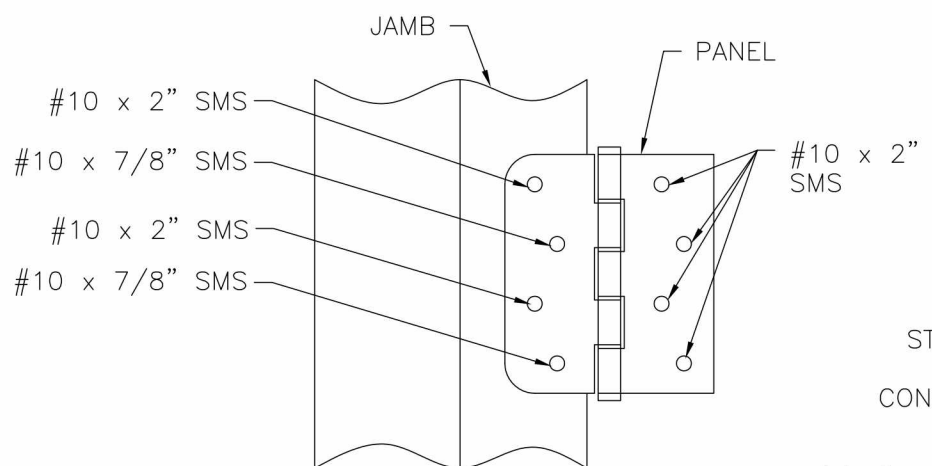
**HINGE INSTALLATION DETAIL
MASONRY/CONCRETE INSTALLATION**



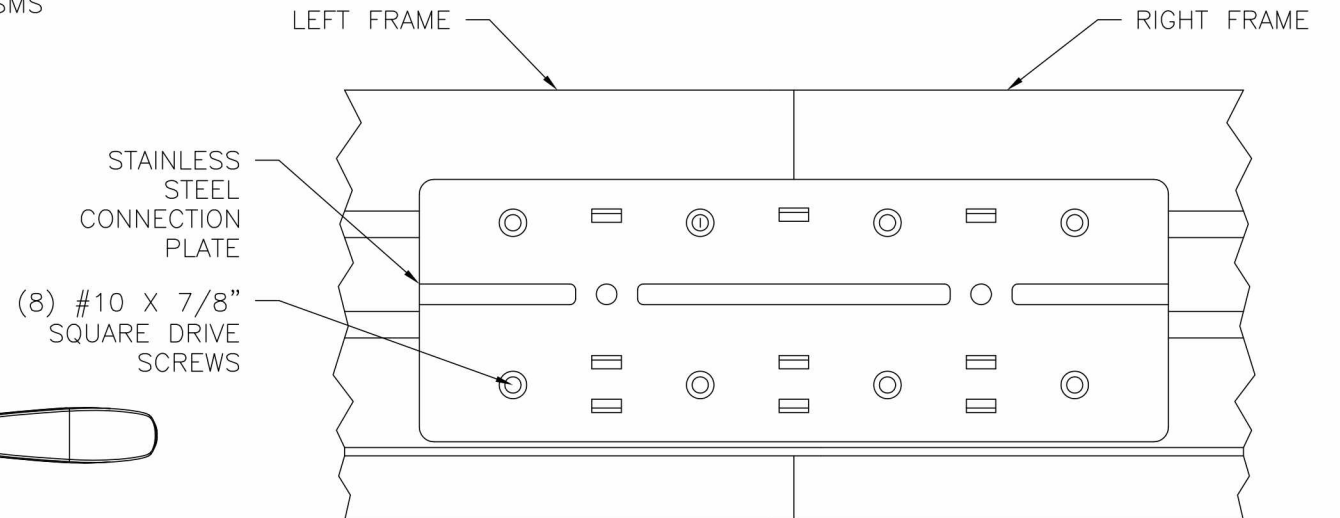
MULLION DETAIL



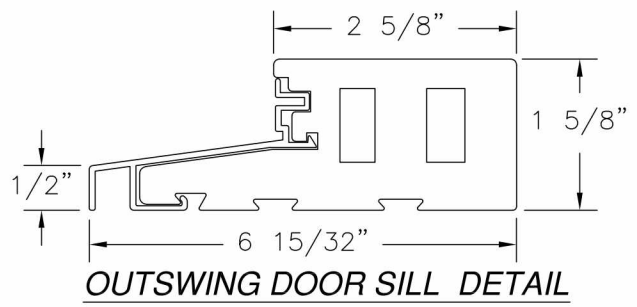
SILL KEEPER DETAIL



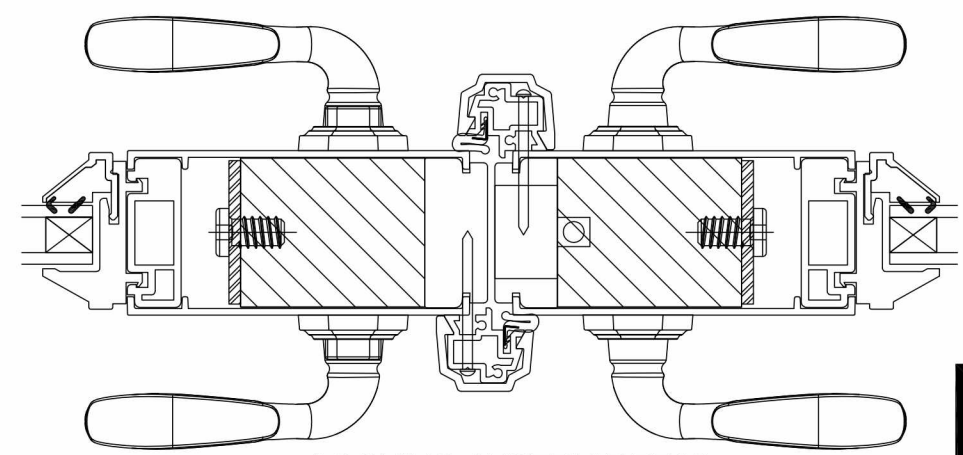
HINGE INSTALLATION DETAIL



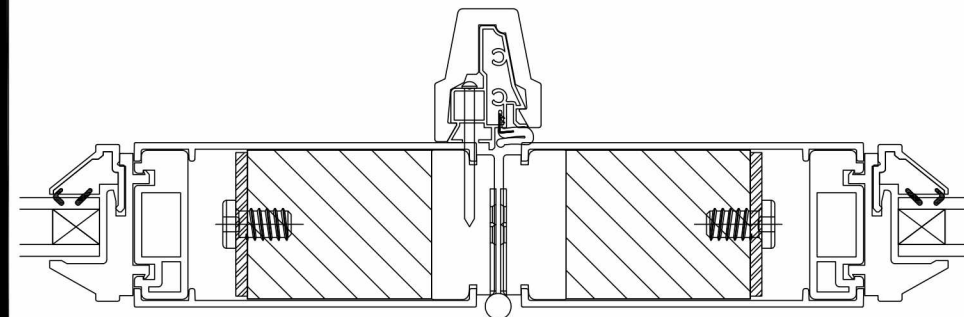
FRAME CONNECTION DETAIL



OUTSWING DOOR SILL DETAIL



LOCKING SYSTEM DETAIL



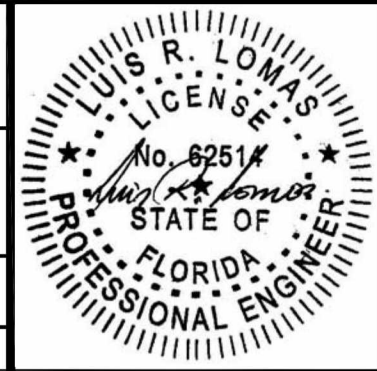
HINGE DETAIL

SIGNED: 09/09/2015

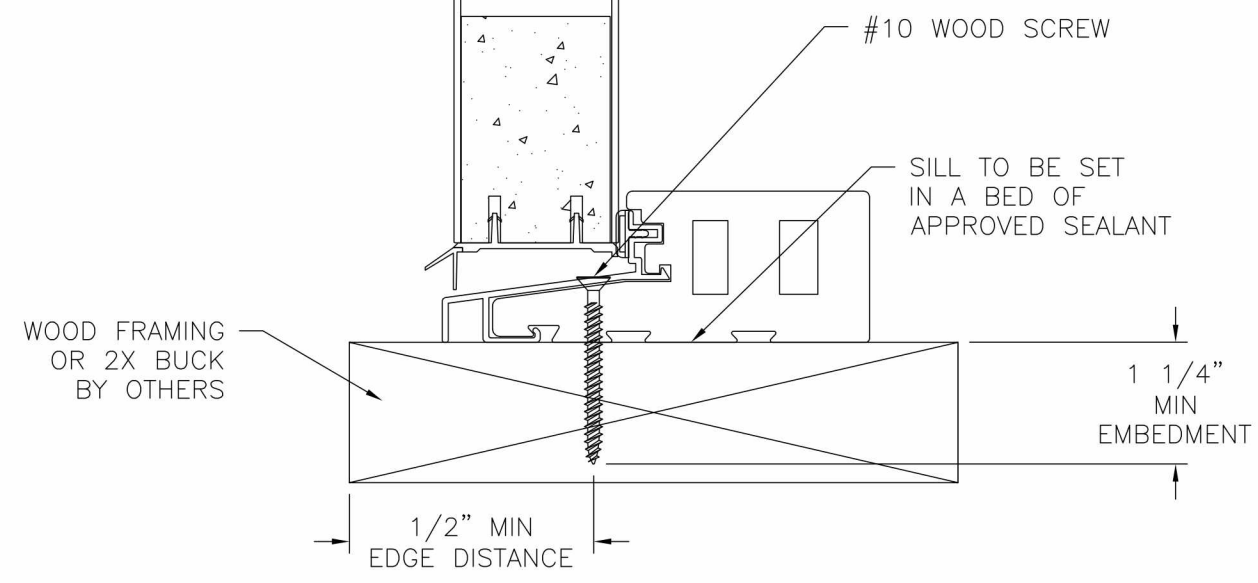
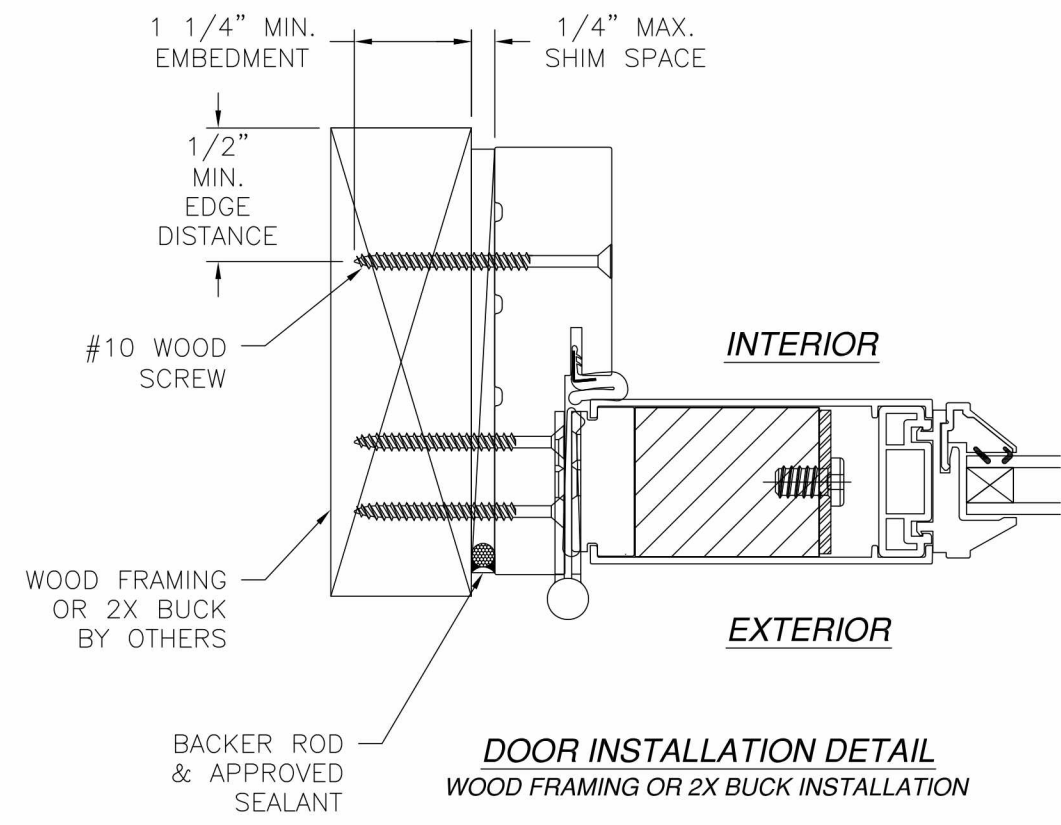
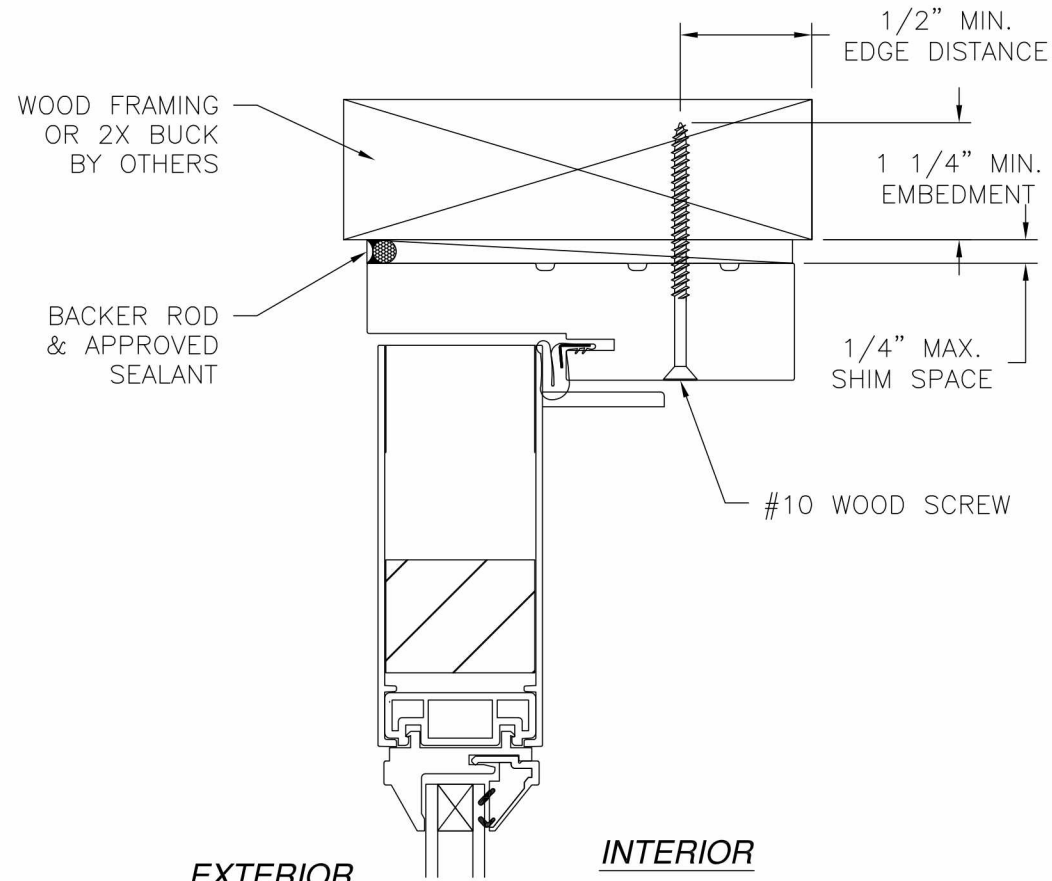
NAN YA PLASTICS CORP. USA
 8989 NORTH LOOP EAST
 HOUSTON, TX 77029

SERIES SLPS OUT SWING GLAZED FIBERGLASS
 SIDE HINGED PATIO DOOR 8'0 NON-IMPACT
 INSTALLATION DETAILS

DRAWN: N.G.	DWG NO. 08-02813	REV -
SCALE NTS	DATE 09/08/15	SHEET 6 OF 12



REVISIONS			
REV	DESCRIPTION	DATE	APPROVED



DOOR INSTALLATION DETAIL
2X BUCK/WOOD FRAMING

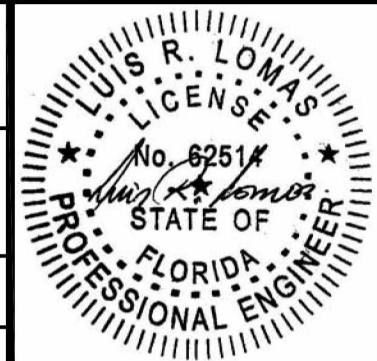
DOOR INSTALLATION DETAIL
WOOD FRAMING OR 2X BUCK INSTALLATION

NOTES:

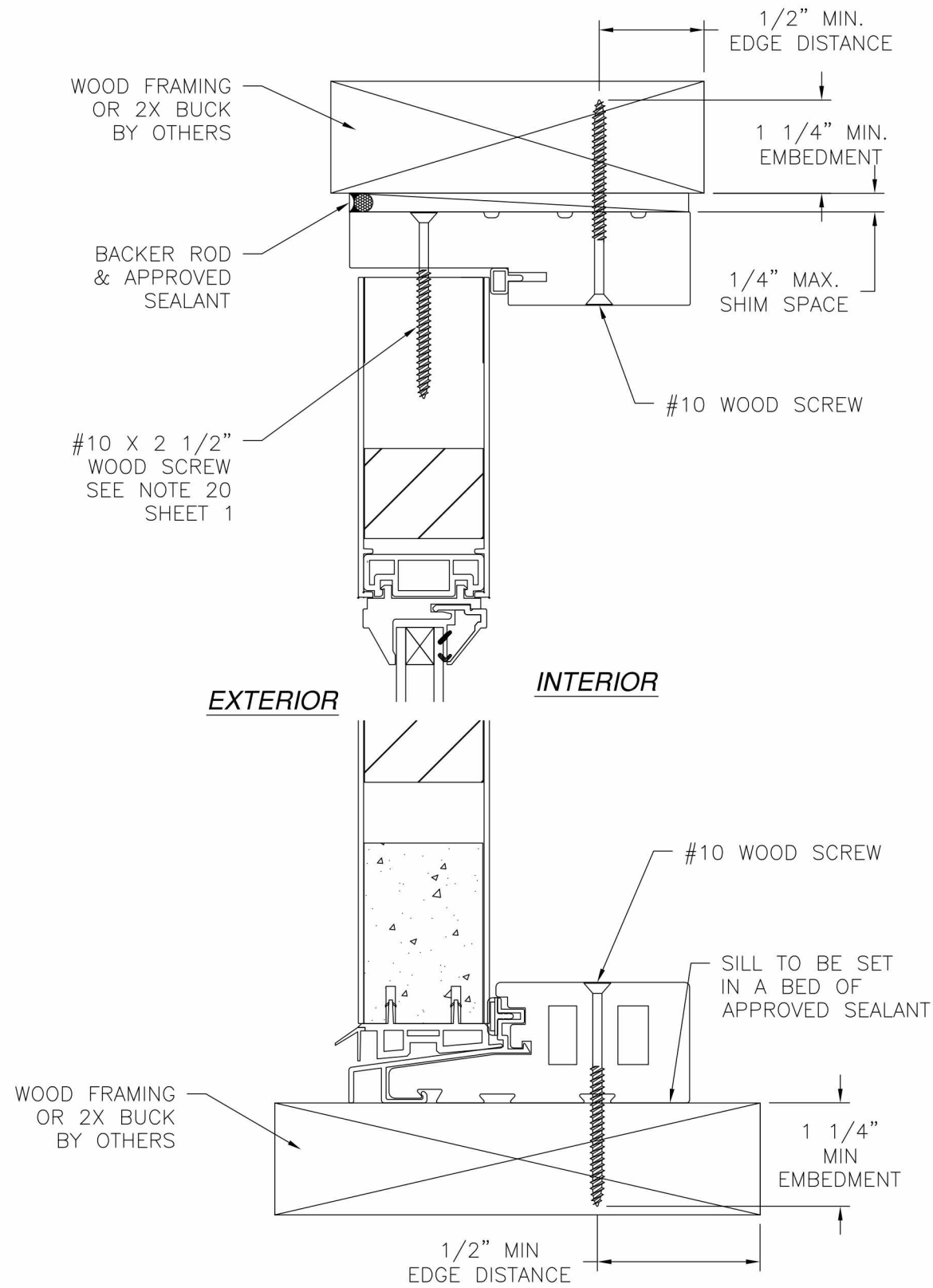
1. INTERIOR AND EXTERIOR FINISHES, BY OTHERS, NOT SHOWN FOR CLARITY.
2. PERIMETER AND JOINT SEALANT BY OTHERS TO BE DESIGNED IN ACCORDANCE WITH ASTM E2112

SIGNED: 09/09/2015

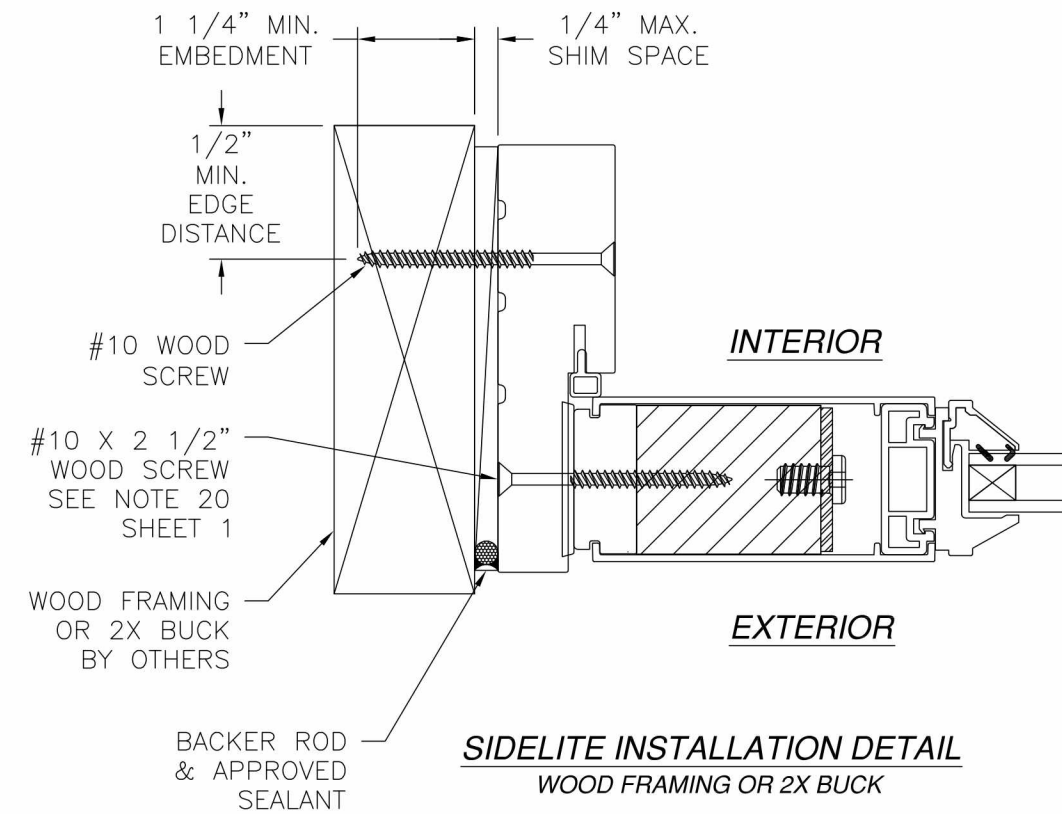
<p>NAN YA PLASTICS CORP. USA 8989 NORTH LOOP EAST HOUSTON, TX 77029</p>		
<p>SERIES SLPS OUT SWING GLAZED FIBERGLASS SIDE HINGED PATIO DOOR 8'0 NON-IMPACT DOOR INSTALLATION DETAILS</p>		
<p>DRAWN: N.G.</p>	<p>DWG NO. 08-02813</p>	<p>REV -</p>
<p>SCALE NTS</p>	<p>DATE 09/08/15</p>	<p>SHEET 7 OF 12</p>



REVISIONS			
REV	DESCRIPTION	DATE	APPROVED



SIDELITE DOOR INSTALLATION DETAIL
2X BUCK/WOOD FRAMING



SIDELITE INSTALLATION DETAIL
WOOD FRAMING OR 2X BUCK

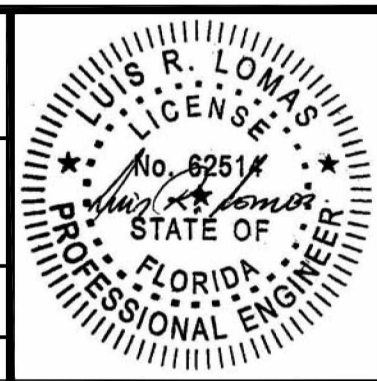
- NOTES:**
1. INTERIOR AND EXTERIOR FINISHES, BY OTHERS, NOT SHOWN FOR CLARITY.
 2. PERIMETER AND JOINT SEALANT BY OTHERS TO BE DESIGNED IN ACCORDANCE WITH ASTM E2112

SIGNED: 09/09/2015

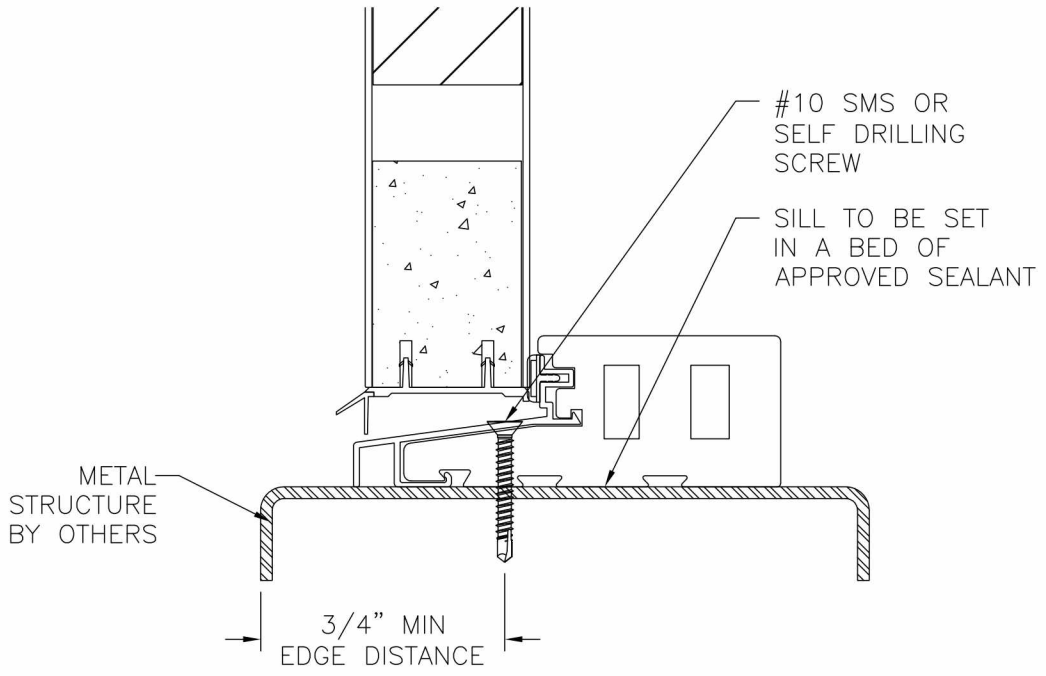
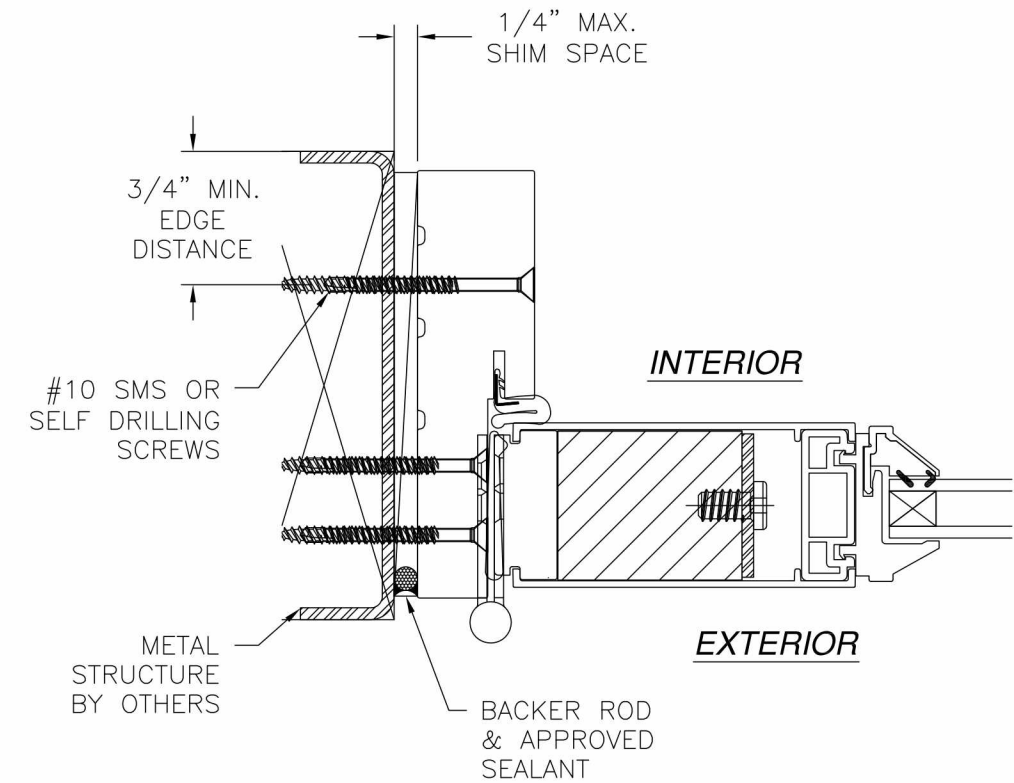
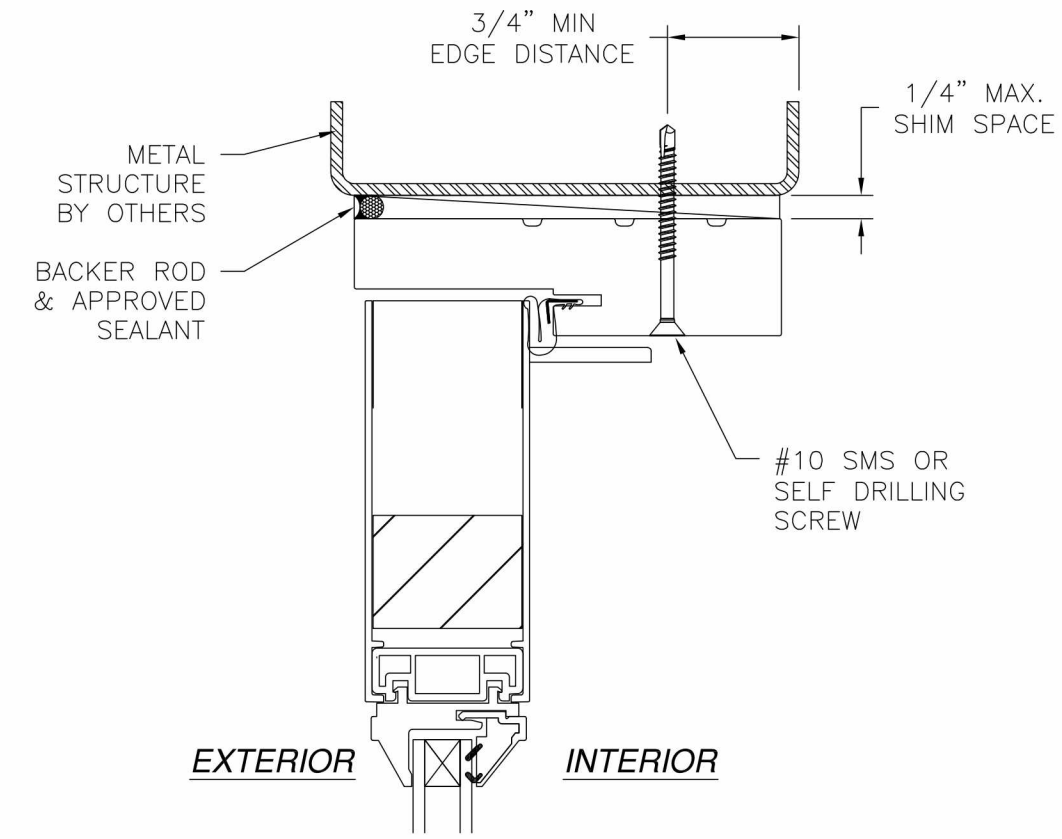
NAN YA PLASTICS CORP. USA
8989 NORTH LOOP EAST
HOUSTON, TX 77029

SERIES SLPS OUT SWING GLAZED FIBERGLASS
SIDE HINGED PATIO DOOR 8'0 NON-IMPACT
SIDELITE INSTALLATION DETAILS

DRAWN: N.G.	DWG NO. 08-02813	REV -
SCALE NTS	DATE 09/08/15	SHEET 8 OF 12



REVISIONS			
REV	DESCRIPTION	DATE	APPROVED



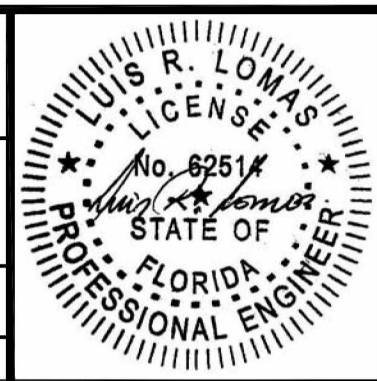
DOOR INSTALLATION DETAIL
METAL STRUCTURE

DOOR INSTALLATION DETAIL
METAL STRUCTURE

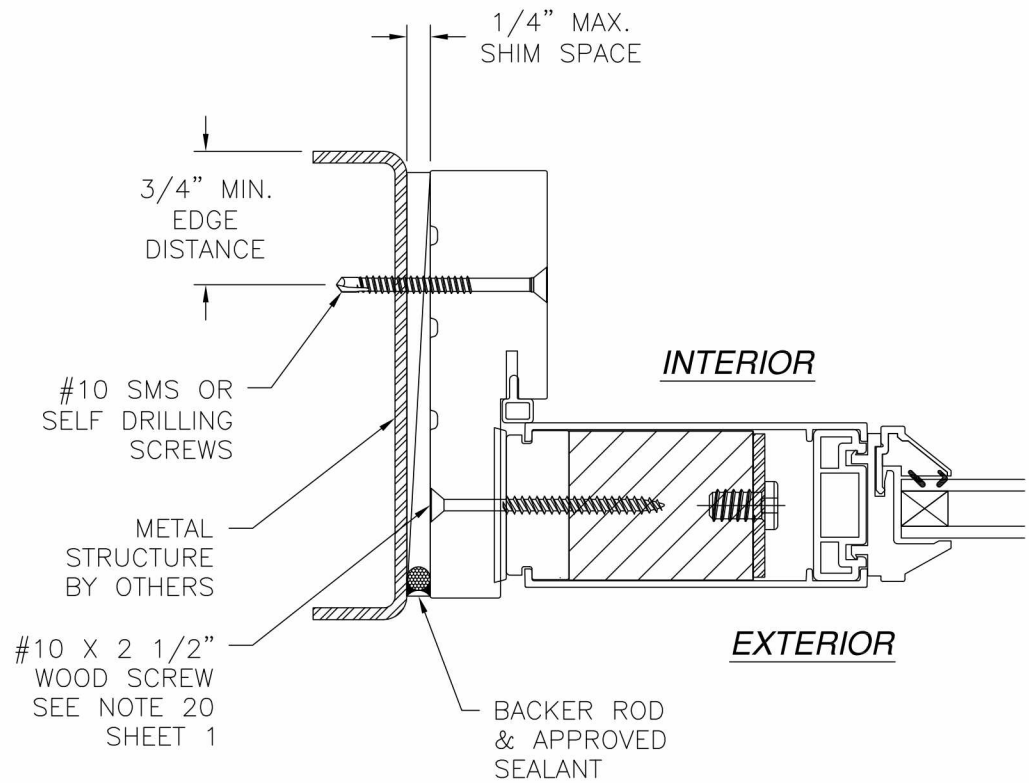
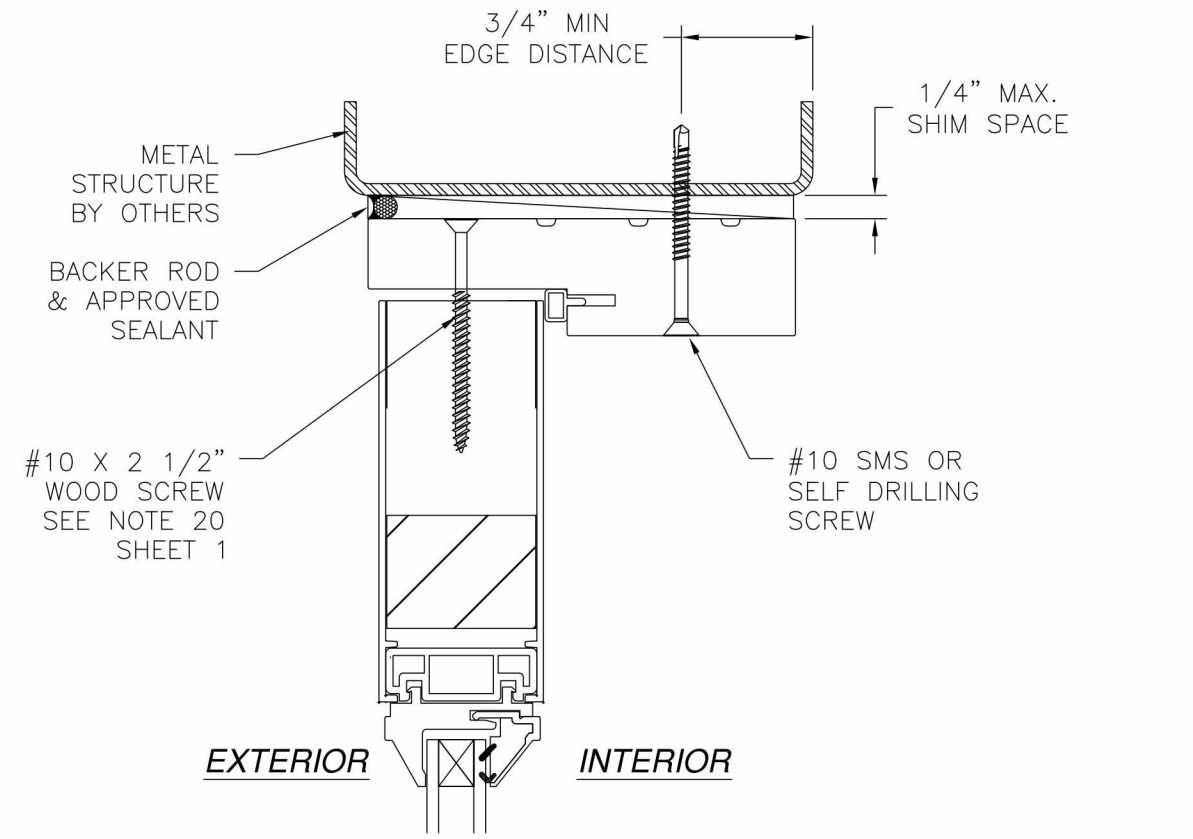
- NOTES:
1. INTERIOR AND EXTERIOR FINISHES, BY OTHERS, NOT SHOWN FOR CLARITY.
 2. PERIMETER AND JOINT SEALANT BY OTHERS TO BE DESIGNED IN ACCORDANCE WITH ASTM E2112

SIGNED: 09/09/2015

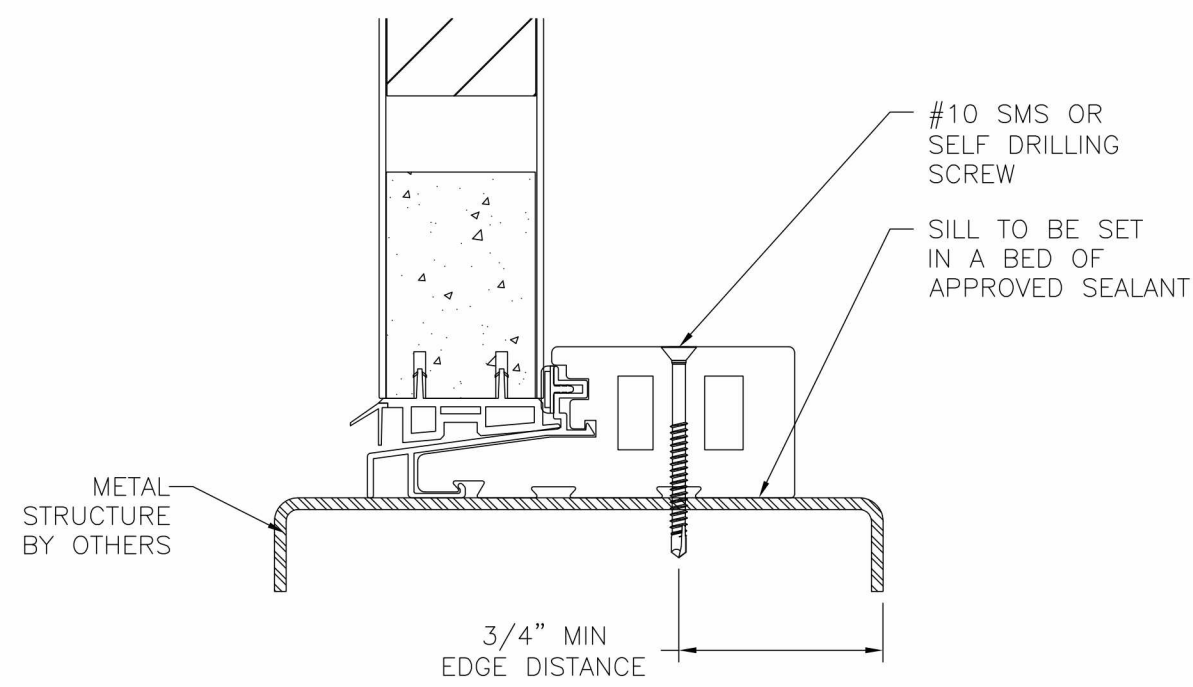
<p>NAN YA PLASTICS CORP. USA 8989 NORTH LOOP EAST HOUSTON, TX 77029</p>		
<p>SERIES SLPS OUT SWING GLAZED FIBERGLASS SIDE HINGED PATIO DOOR 8'0 NON-IMPACT DOOR INSTALLATION DETAILS</p>		
<p>DRAWN: N.G.</p>	<p>DWG NO. 08-02813</p>	<p>REV -</p>
<p>SCALE NTS</p>	<p>DATE 09/08/15</p>	<p>SHEET 9 OF 12</p>



REVISIONS			
REV	DESCRIPTION	DATE	APPROVED



SIDELITE INSTALLATION DETAIL
METAL STRUCTURE INSTALLATION

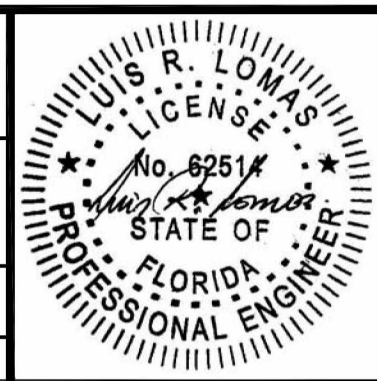


SIDELITE INSTALLATION DETAIL
METAL STRUCTURE

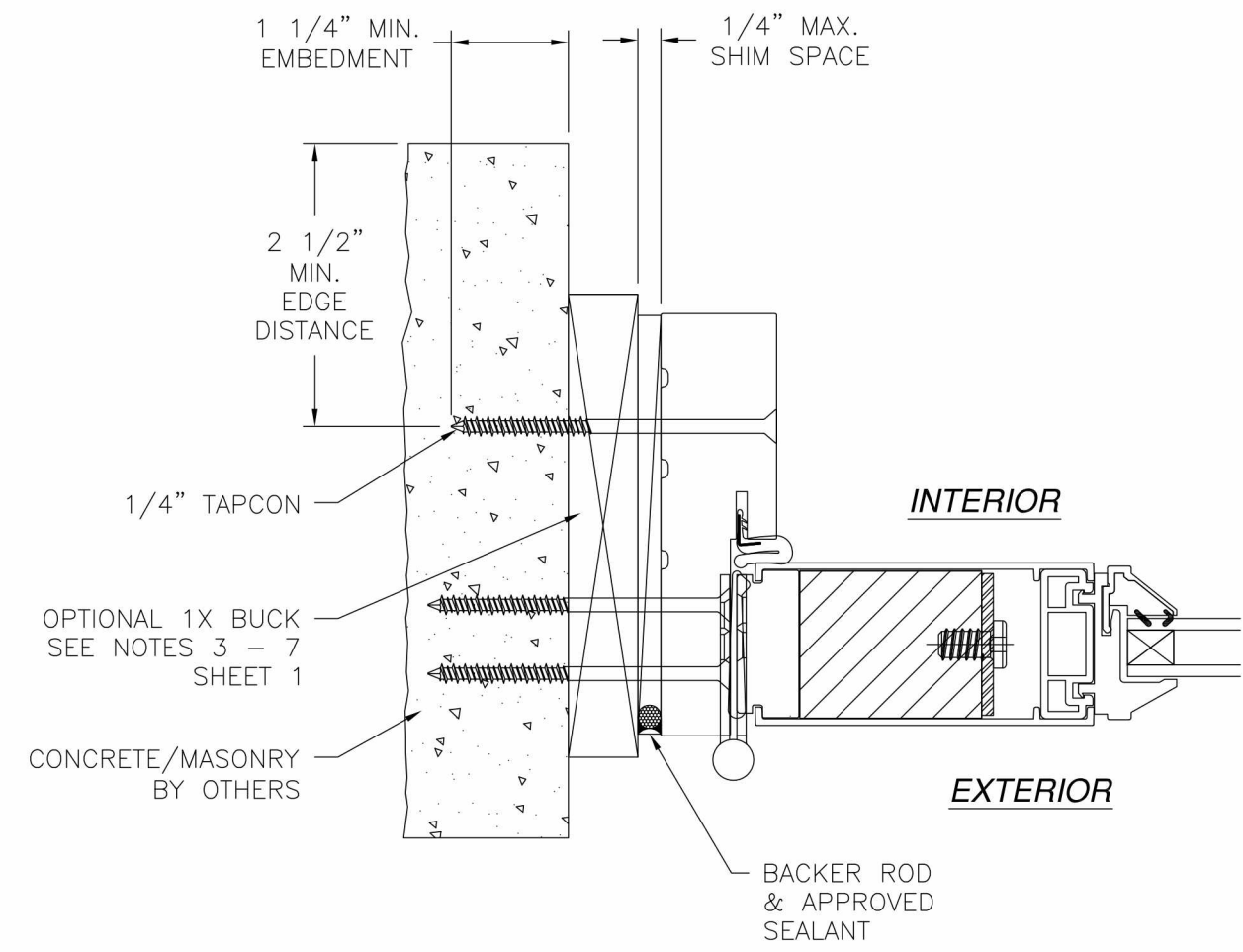
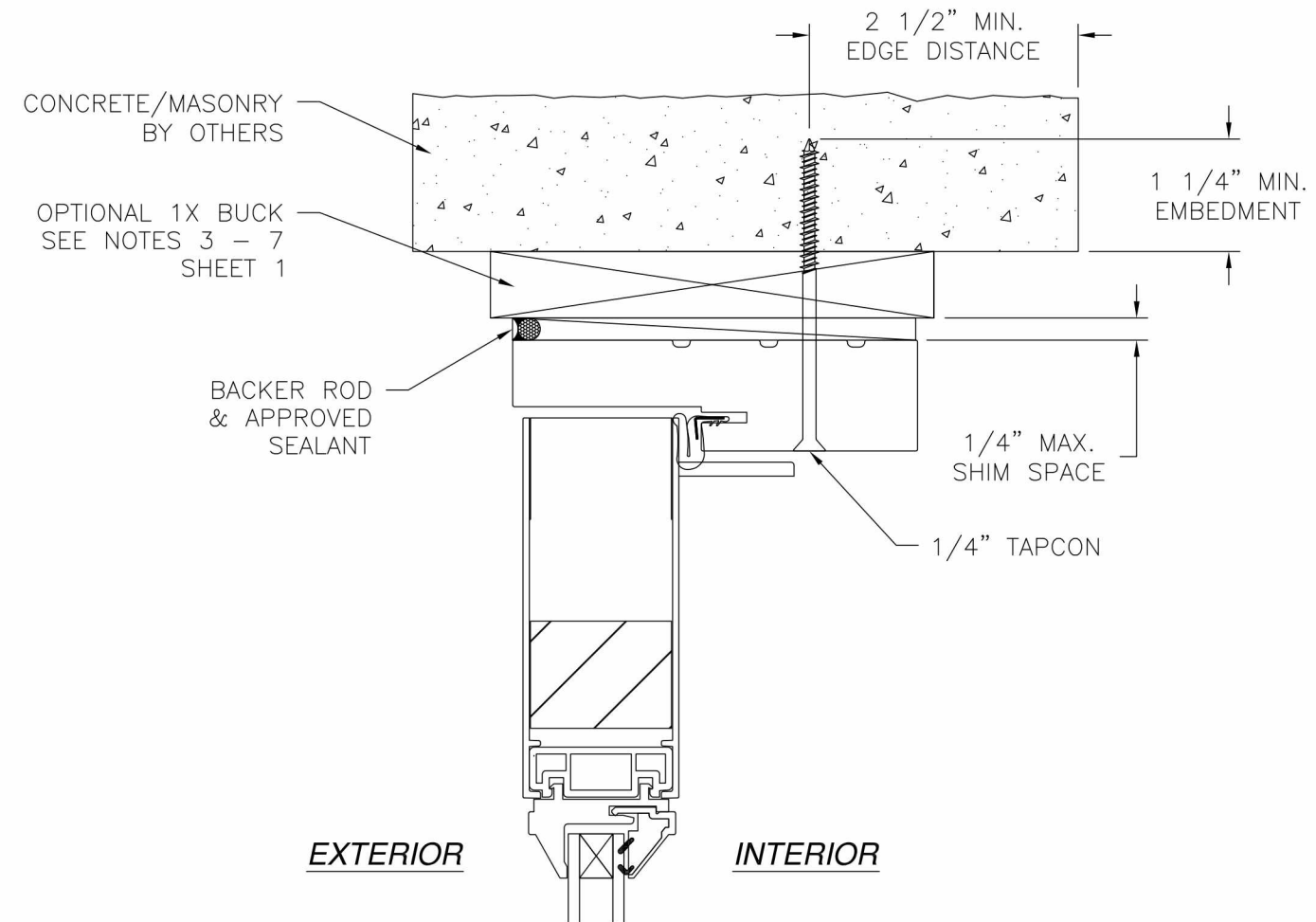
- NOTES:**
1. INTERIOR AND EXTERIOR FINISHES, BY OTHERS, NOT SHOWN FOR CLARITY.
 2. PERIMETER AND JOINT SEALANT BY OTHERS TO BE DESIGNED IN ACCORDANCE WITH ASTM E2112

SIGNED: 09/09/2015

<p>NAN YA PLASTICS CORP. USA 8989 NORTH LOOP EAST HOUSTON, TX 77029</p>		
<p>SERIES SLPS OUT SWING GLAZED FIBERGLASS SIDE HINGED PATIO DOOR 8'0 NON-IMPACT SIDELITE INSTALLATION DETAILS</p>		
<p>DRAWN: N.G.</p>	<p>DWG NO. 08-02813</p>	<p>REV -</p>
<p>SCALE NTS</p>	<p>DATE 09/08/15</p>	<p>SHEET 10 OF 12</p>



REVISIONS			
REV	DESCRIPTION	DATE	APPROVED

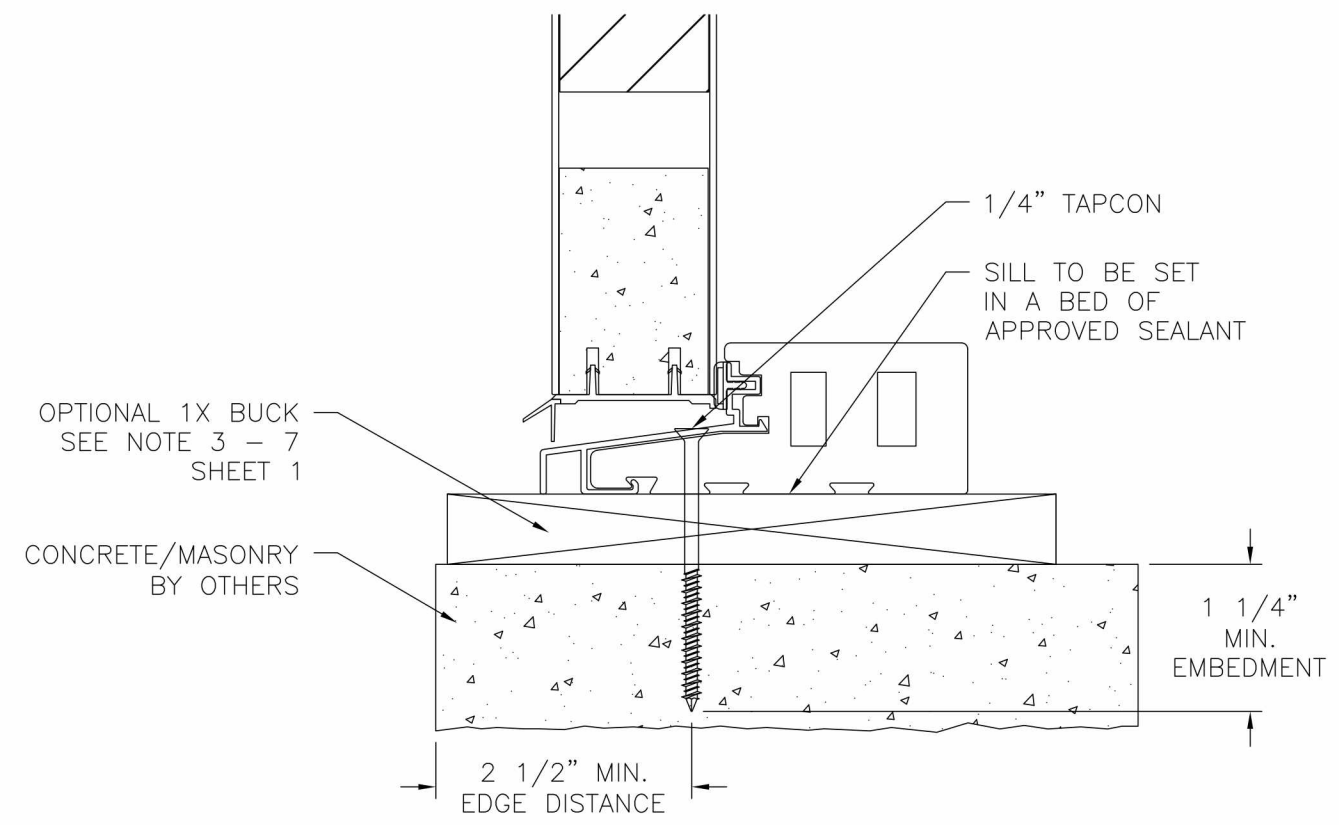


EXTERIOR INTERIOR

INTERIOR

EXTERIOR

DOOR INSTALLATION DETAIL
CONCRETE/MASONRY



DOOR INSTALLATION DETAIL
MASONRY/CONCRETE

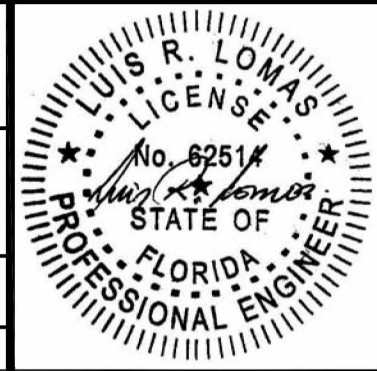
- NOTES:**
1. INTERIOR AND EXTERIOR FINISHES, BY OTHERS, NOT SHOWN FOR CLARITY.
 2. PERIMETER AND JOINT SEALANT BY OTHERS TO BE DESIGNED IN ACCORDANCE WITH ASTM E2112

SIGNED: 09/09/2015

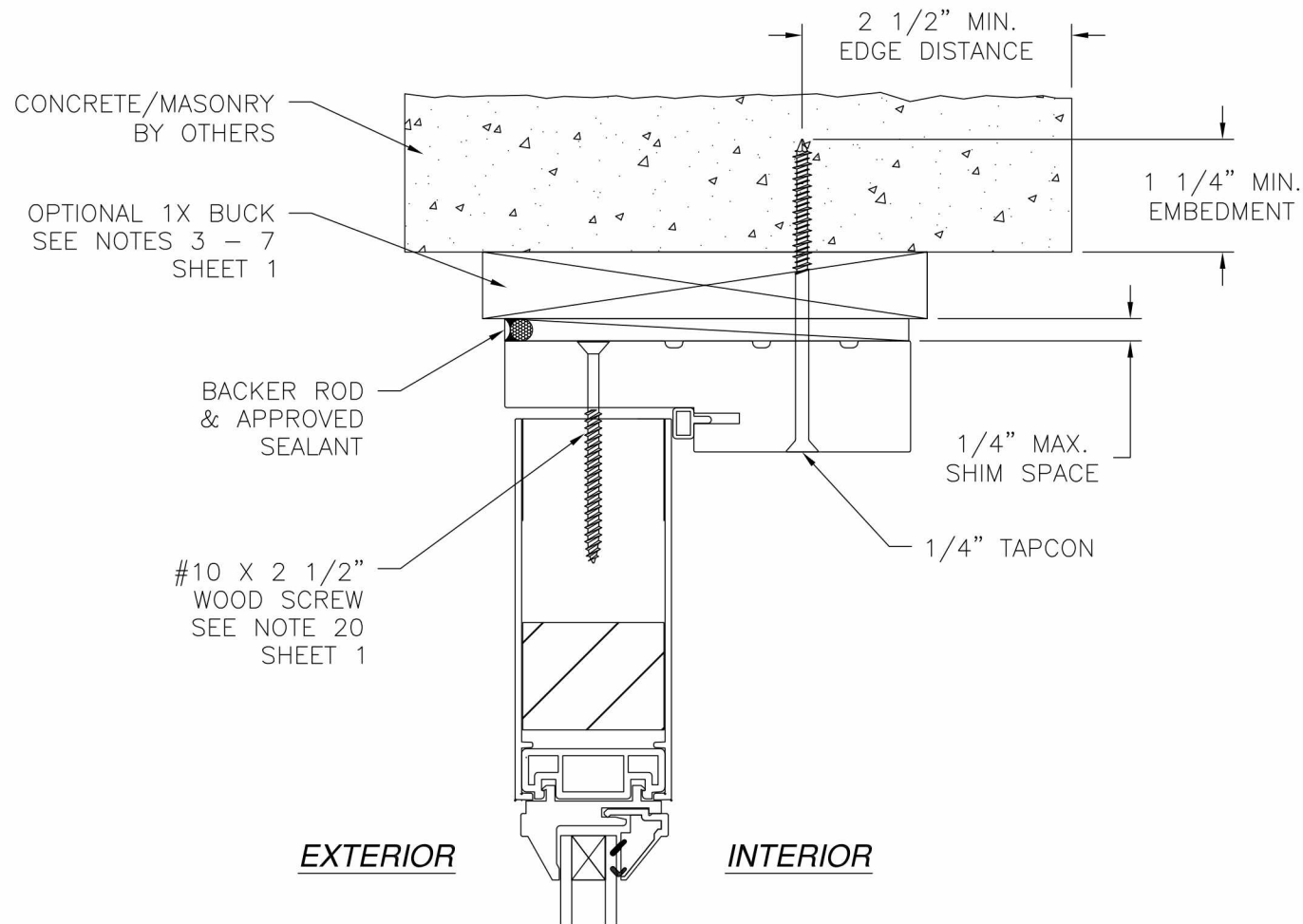
NAN YA PLASTICS CORP. USA
8989 NORTH LOOP EAST
HOUSTON, TX 77029

SERIES SLPS OUT SWING GLAZED FIBERGLASS
SIDE HINGED PATIO DOOR 8'0 NON-IMPACT
DOOR INSTALLATION DETAILS

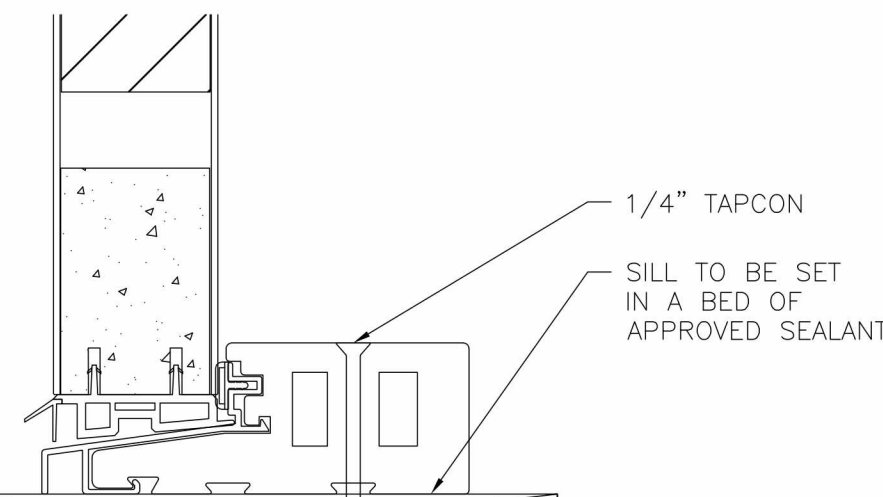
DRAWN: N.G.	DWG NO. 08-02813	REV -
SCALE NTS	DATE 09/08/15	SHEET 11 OF 12



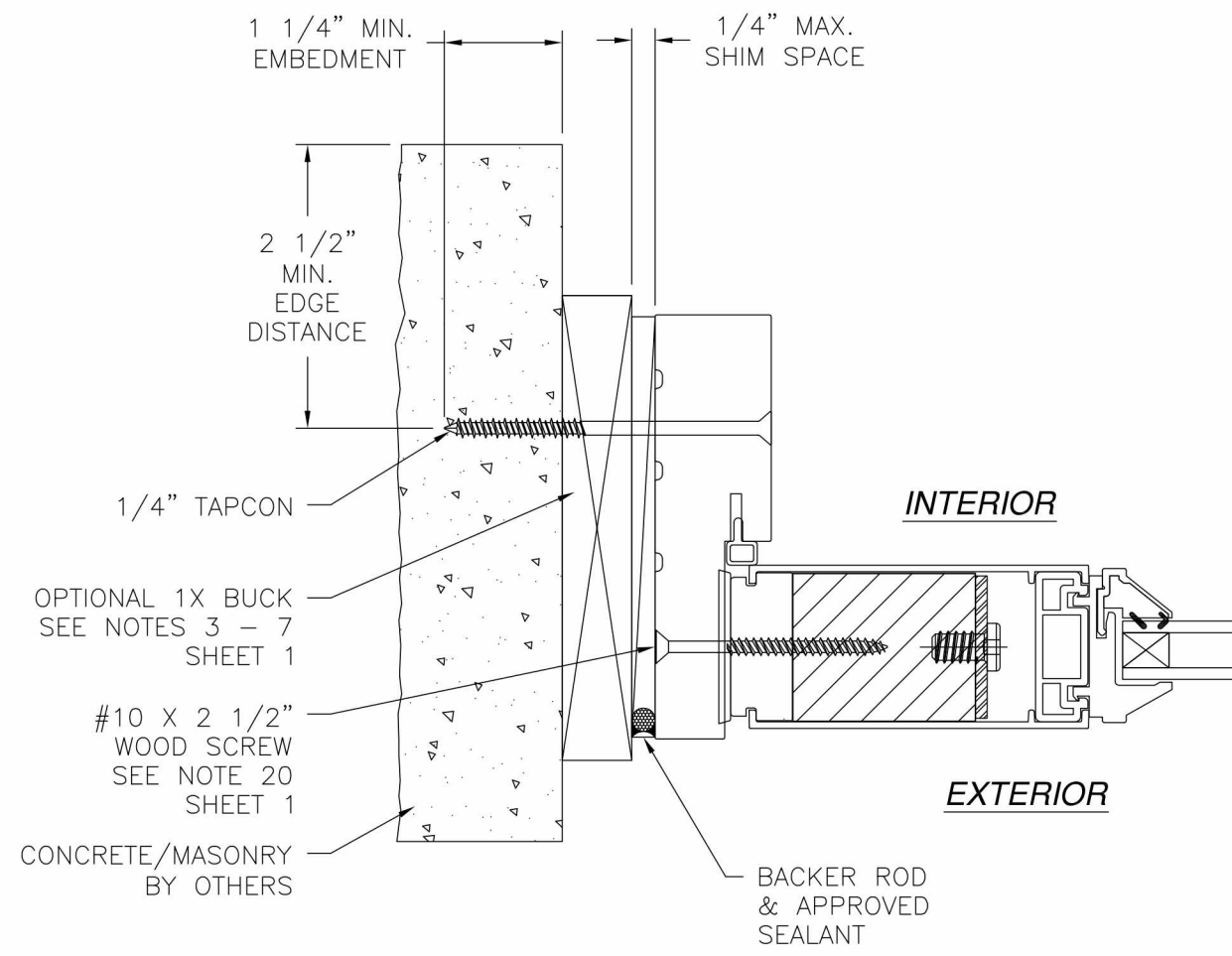
REVISIONS			
REV	DESCRIPTION	DATE	APPROVED



EXTERIOR **INTERIOR**



SIDELITE INSTALLATION DETAIL
MASONRY/CONCRETE



INTERIOR

EXTERIOR

SIDELITE INSTALLATION DETAIL
CONCRETE/MASONRY

- NOTES:**
1. *INTERIOR AND EXTERIOR FINISHES, BY OTHERS, NOT SHOWN FOR CLARITY.*
 2. *PERIMETER AND JOINT SEALANT BY OTHERS TO BE DESIGNED IN ACCORDANCE WITH ASTM E2112*

SIGNED: 09/09/2015

<p>NAN YA PLASTICS CORP. USA 8989 NORTH LOOP EAST HOUSTON, TX 77029</p>		
<p>SERIES SLPS OUT SWING GLAZED FIBERGLASS SIDE HINGED PATIO DOOR 8'0 NON-IMPACT SIDELITE INSTALLATION DETAILS</p>		
<p>DRAWN: N.G.</p>	<p>DWG NO. 08-02813</p>	<p>REV -</p>
<p>SCALE NTS</p>	<p>DATE 09/08/15</p>	<p>SHEET 12 OF 12</p>

