

REVISIONS			
REV	DESCRIPTION	DATE	APPROVED

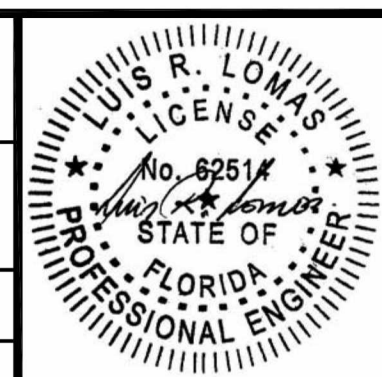
NOTES:

1. THE PRODUCT SHOWN HEREIN IS DESIGNED AND MANUFACTURED TO COMPLY WITH REQUIREMENTS OF THE FLORIDA BUILDING CODE.
2. WOOD FRAMING AND MASONRY OPENING TO BE DESIGNED AND ANCHORED TO PROPERLY TRANSFER ALL LOADS TO STRUCTURE. FRAMING AND MASONRY OPENING IS THE RESPONSIBILITY OF THE ARCHITECT OR ENGINEER OF RECORD.
3. 1X BUCK OVER MASONRY/CONCRETE IS OPTIONAL.
4. WHERE SHIM OR BUCK THICKNESS IS LESS THAN 1-1/2" WINDOW UNITS MUST BE ANCHORED THROUGH THE FRAME IN ACCORDANCE WITH MANUFACTURER'S PUBLISHED INSTALLATION INSTRUCTIONS. ANCHORS SHALL BE SECURELY FASTENED DIRECTLY INTO MASONRY, CONCRETE OR OTHER STRUCTURAL SUBSTRATE MATERIAL.
5. WHERE WOOD BUCK THICKNESS IS 1-1/2" OR GREATER, BUCK SHALL BE SECURELY FASTENED TO MASONRY, CONCRETE OR OTHER STRUCTURAL SUBSTRATE. WINDOW UNITS MAY BE ANCHORED THROUGH FRAME TO SECURED WOOD BUCK IN ACCORDANCE WITH MANUFACTURER'S PUBLISHED INSTALLATION INSTRUCTIONS.
6. WHERE 1X BUCK IS NOT USED DISSIMILAR MATERIALS MUST BE SEPARATED WITH APPROVED COATING OR MEMBRANE. SELECTION OF COATING OR MEMBRANE IS THE RESPONSIBILITY OF THE ARCHITECT OR ENGINEER OF RECORD.
7. BUCKS SHALL EXTEND BEYOND WINDOW INTERIOR FACE SO THAT FULL FRAME SUPPORT IS PROVIDED.
8. FOR FIN INSTALLATION SHIM AS NEEDED. FOR FRAME INSTALLATION SHIM AS REQUIRED AT EACH ANCHOR LOCATION WITH LOAD BEARING SHIM. SHIM WHERE SPACE OF 1/16" OR GREATER OCCURS. MAXIMUM ALLOWABLE SHIM STACK TO BE 1/4".
9. SHIMS SHALL BE LOCATED, APPLIED AND MADE FROM MATERIALS AND THICKNESS CAPABLE OF SUSTAINING APPLICABLE LOADS.
10. WIND LOAD DURATION FACTOR Cd=1.6 WAS USED FOR WOOD ANCHOR CALCULATIONS.
11. FRAME MATERIAL: CO-EXTRUDED PVC FOAM.
12. UNITS MUST BE GLAZED PER ASTM E1300-04, WITH SAFETY GLAZING.
13. APPROVED IMPACT PROTECTIVE SYSTEM IS REQUIRED FOR THIS PRODUCT IN WIND BORNE DEBRIS REGIONS.
14. FOR ANCHORING INTO WOOD FRAMING OR 2X BUCK USE #10 WOOD SCREWS WITH SUFFICIENT LENGTH TO ACHIEVE A 1 3/8" MINIMUM EMBEDMENT INTO SUBSTRATE. LOCATE ANCHORS AS SHOWN IN ELEVATIONS AND INSTALLATION DETAILS.
15. FOR ANCHORING INTO MASONRY/CONCRETE USE 1/4" TAPCONS WITH SUFFICIENT LENGTH TO ACHIEVE A 1 1/4" MINIMUM EMBEDMENT INTO SUBSTRATE WITH 2 1/2" MINIMUM EDGE DISTANCE. LOCATE ANCHORS AS SHOWN IN ELEVATIONS AND INSTALLATION DETAILS.
16. FOR ANCHORING INTO METAL STRUCTURE USE #10 SMS OR SELF DRILLING SCREWS WITH SUFFICIENT LENGTH TO ACHIEVE 3 THREADS MINIMUM BEYOND STRUCTURE INTERIOR WALL. LOCATE ANCHORS AS SHOWN IN ELEVATIONS AND INSTALLATION DETAILS.
17. ALL FASTENERS TO BE CORROSION RESISTANT.
18. INSTALLATION ANCHORS SHALL BE INSTALLED IN ACCORDANCE WITH ANCHOR MANUFACTURER'S INSTALLATION INSTRUCTIONS AND ANCHORS SHALL NOT BE USED IN SUBSTRATES WITH STRENGTHS LESS THAN THE MINIMUM STRENGTH SPECIFIED BELOW:
  - A. WOOD - MINIMUM SPECIFIC GRAVITY OF G=0.42
  - B. CONCRETE - MINIMUM COMPRESSIVE STRENGTH OF 3,192 PSI.
  - C. MASONRY - STRENGTH CONFORMANCE TO ASTM C-90, GRADE N, TYPE 1 (OR GREATER).
  - D. METAL STRUCTURE: STEEL 18GA, 33KSI OR ALUMINUM 6063-T5 1/8" THICK MINIMUM
19. APPROVED CONFIGURATIONS: O/OX, O/XO, OX, XO.

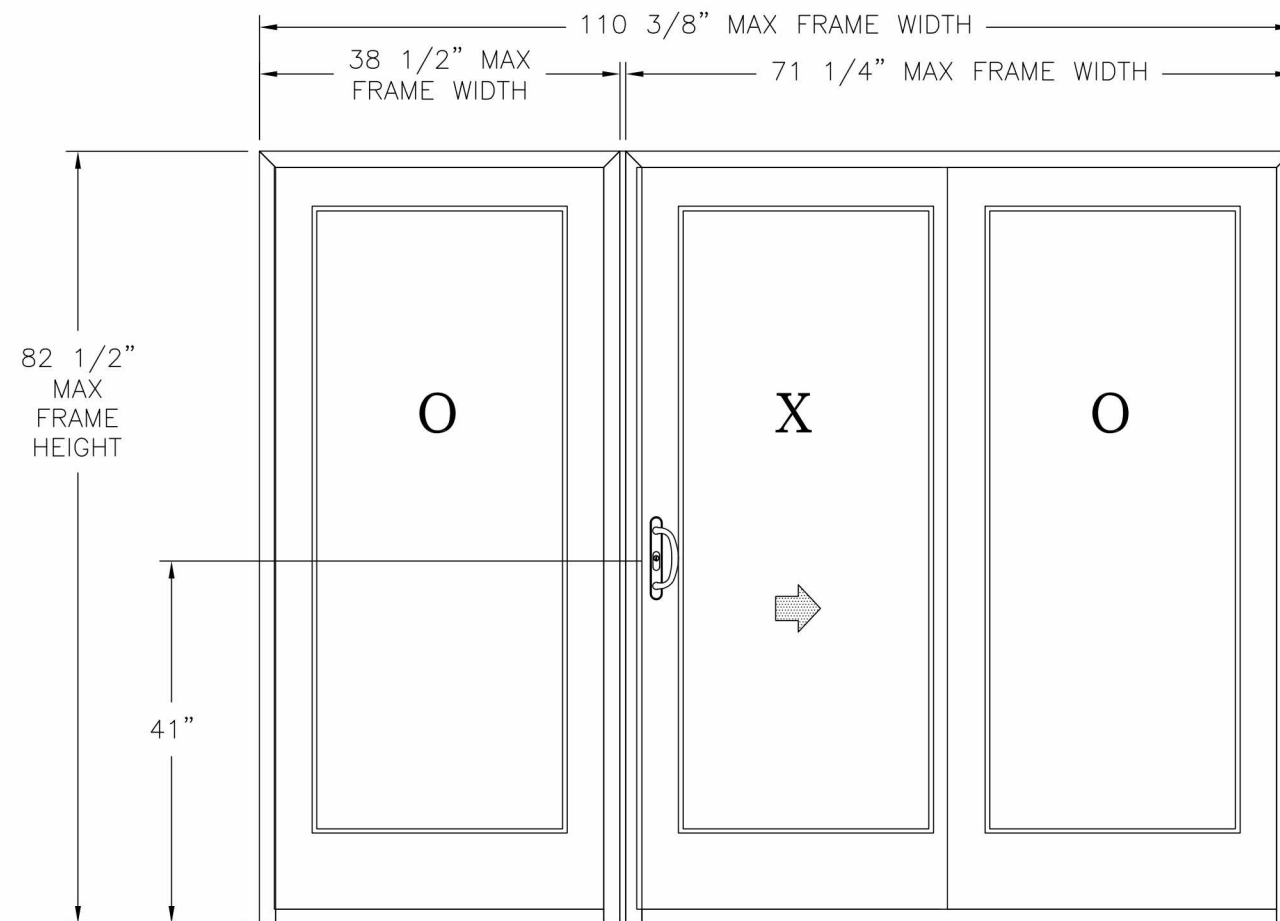
SIGNED: 09/01/2015

TABLE OF CONTENTS	
SHEET NO.	DESCRIPTION
1	NOTES
2	ELEVATIONS
3 - 6	INSTALLATION DETAILS

NAN YA PLASTICS CORPORATION U.S.A. 8989 NORTH LOOP EAST HOUSTON, TX 77029		
SERIES O/XO GLIDING PATIO DOOR SLIDING DOOR W/FIELD MULLION NON-IMPACT NOTES		
DRAWN: K.S.	DWG NO. 08-02790	REV -
SCALE NTS	DATE 07/24/15	SHEET 1 OF 6



REVISIONS			
REV	DESCRIPTION	DATE	APPROVED



**SERIES O/XO GLIDING PATIO DOOR**  
EXTERIOR VIEW

DESIGN PRESSURE RATING	IMPACT RATING
±50.0PSF	NONE

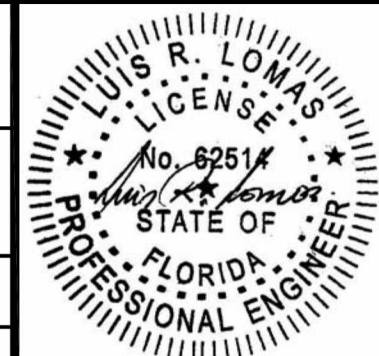
NOTES:

1. MAXIMUM PANEL SIZE: 35 3/4" X 79 19/32"
2. MAXIMUM D.L.O.: 26 1/4" X 66"

SIGNED: 09/01/2015

NAN YA PLASTICS CORPORATION U.S.A.  
8989 NORTH LOOP EAST  
HOUSTON, TX 77029

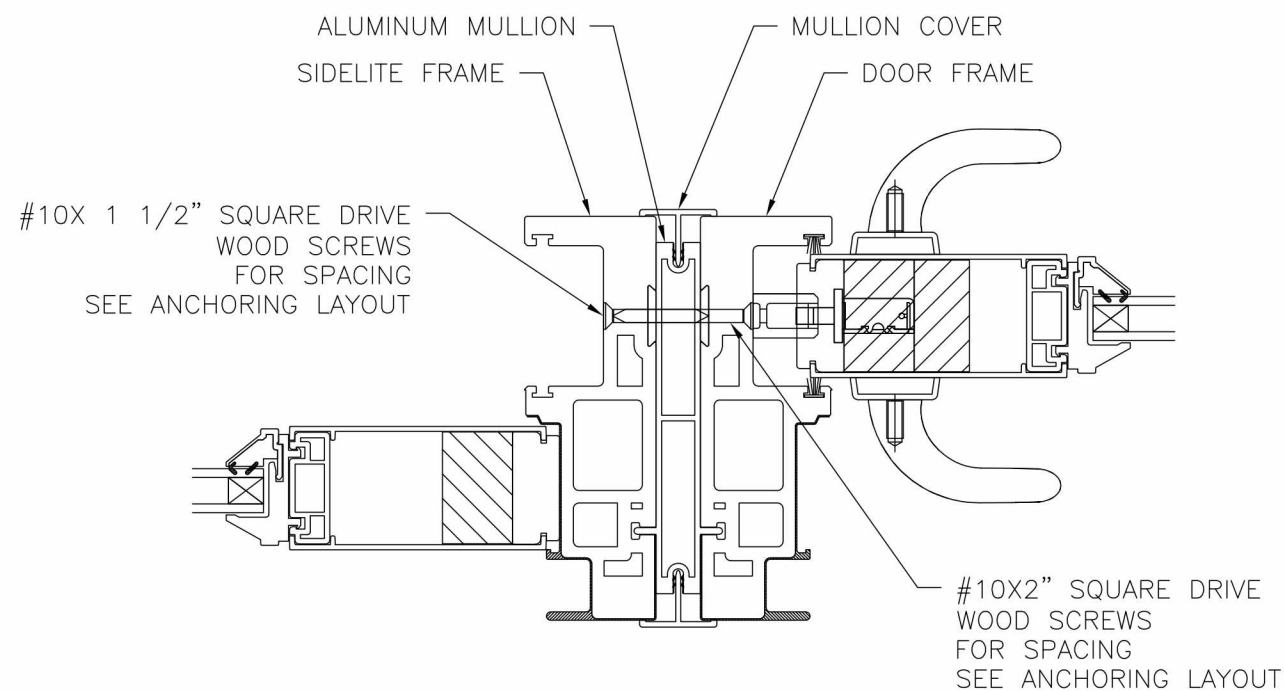
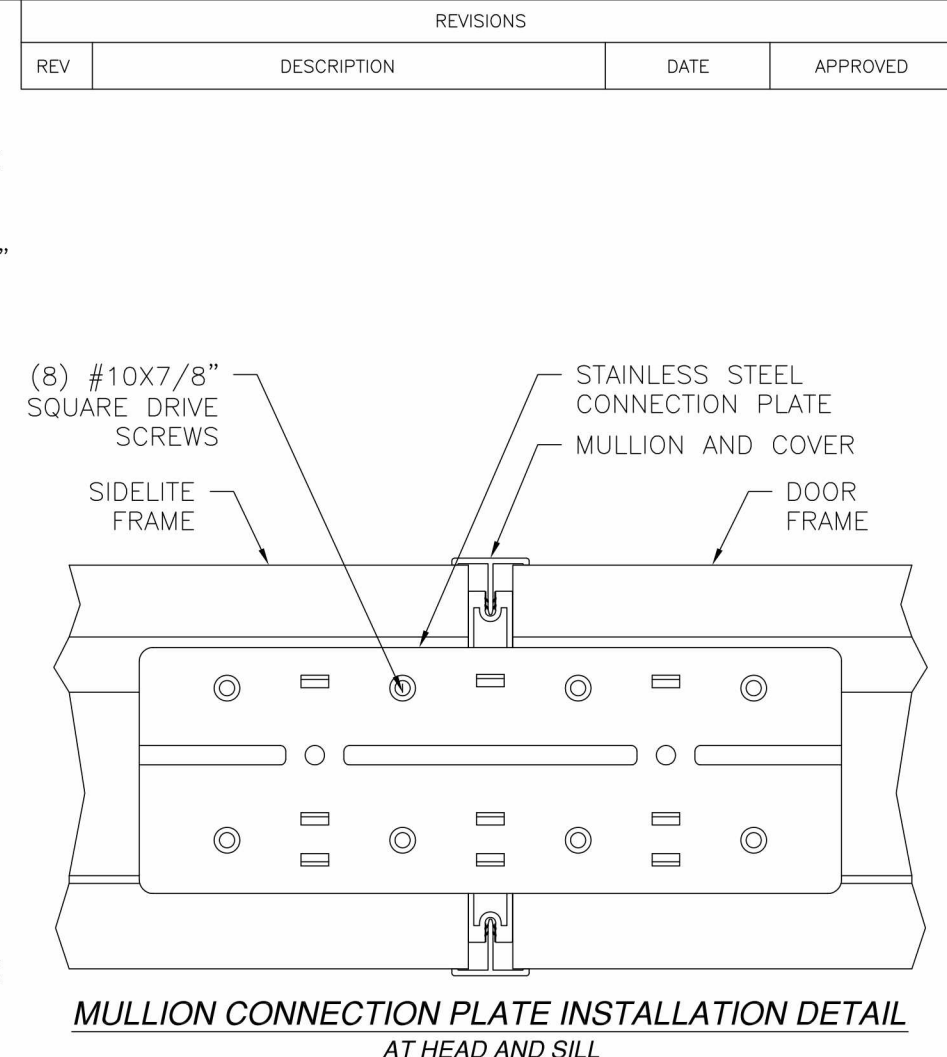
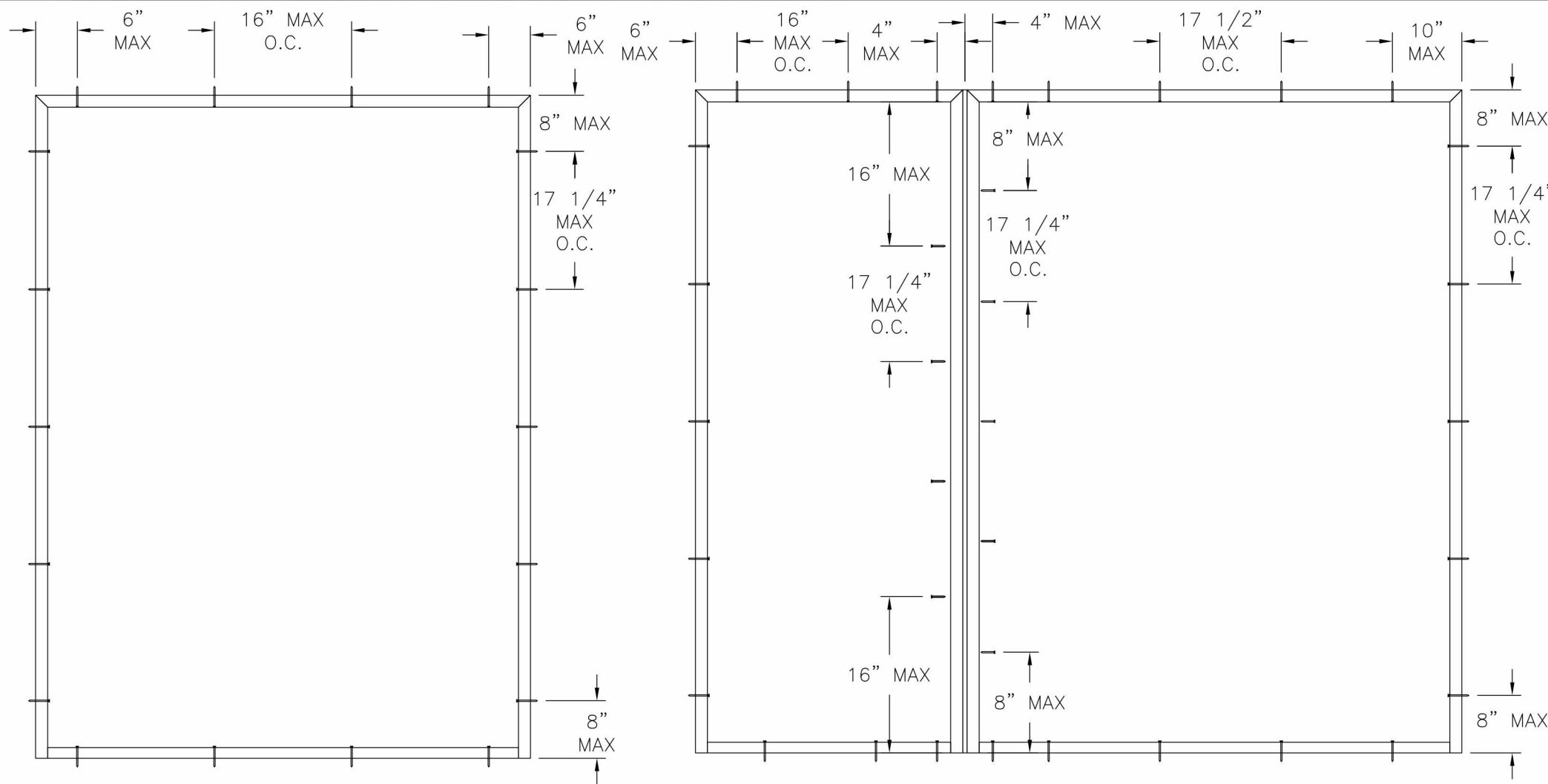
SERIES O/XO GLIDING PATIO DOOR  
SLIDING DOOR W/FIELD MULLION NON-IMPACT  
ELEVATIONS



**HARDWARE SCHEDULE**

- |    |  |
|----|--|
| A. | DIE-CAST LOCK KEEPER AT LOCKING POINT              |
| B. | STAINLESS STEEL SINGLE LOCK SYSTEM AT ACTIVE PANEL |
| C. | STEEL, DIE-CAST HANDLE SETS AT ACTIVE PANEL        |

DRAWN: K.S.	DWG NO. 08-02790	REV -
SCALE NTS	DATE 07/24/15	SHEET 2 OF 6

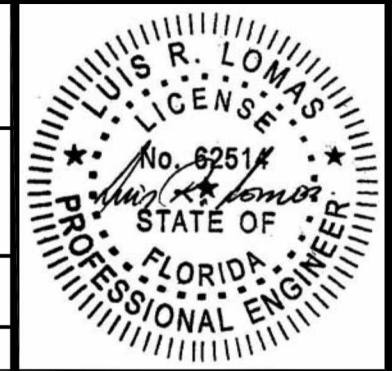


SIGNED: 09/01/2015

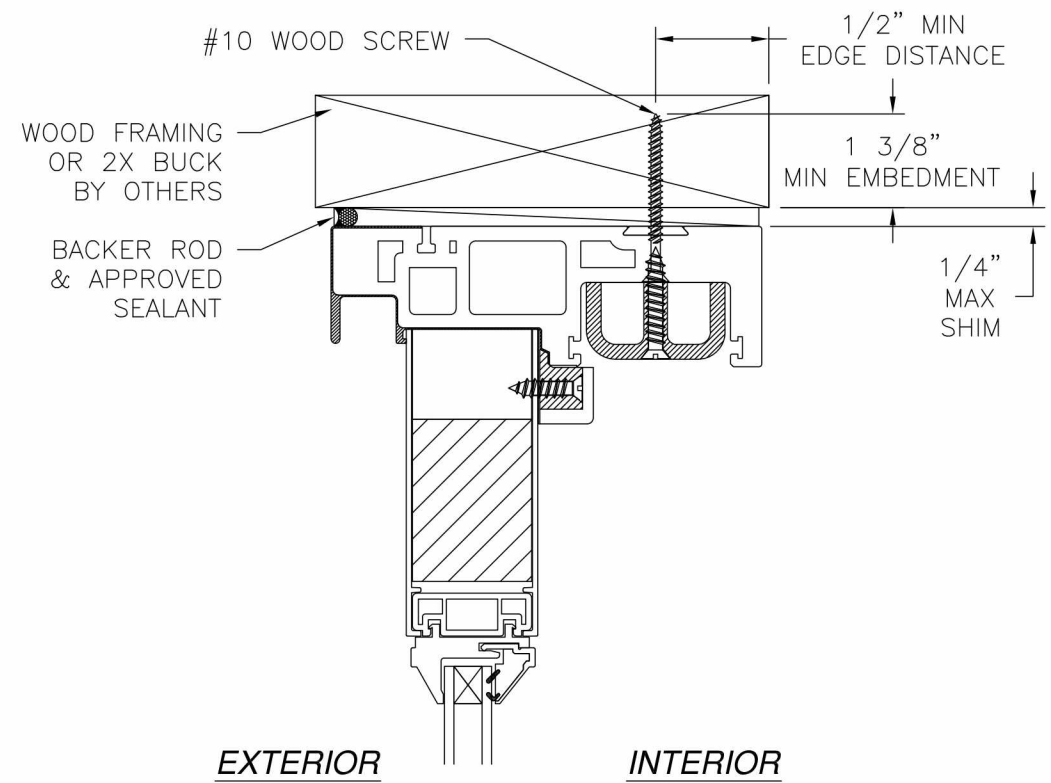
**NAN YA PLASTICS CORPORATION U.S.A.**  
 8989 NORTH LOOP EAST  
 HOUSTON, TX 77029

SERIES O/XO GLIDING PATIO DOOR  
 SLIDING DOOR W/FIELD MULLION NON-IMPACT  
 ANCHORING LAYOUTS

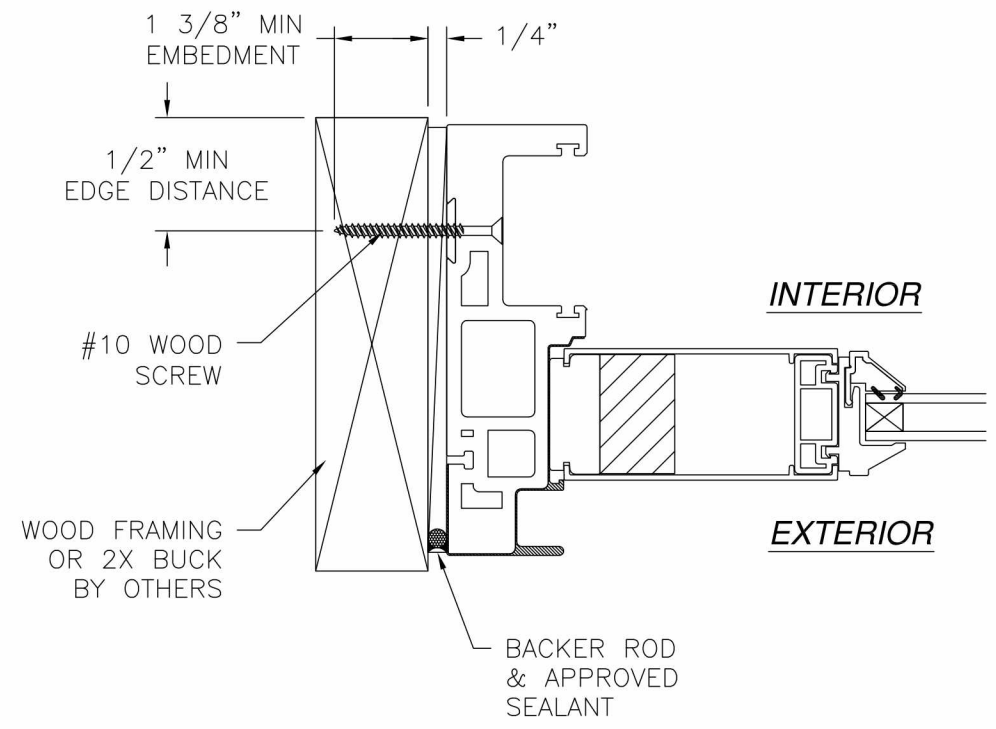
DRAWN: K.S.	DWG NO. 08-02790	REV -
SCALE NTS	DATE 07/24/15	SHEET 3 OF 6



REVISIONS			
REV	DESCRIPTION	DATE	APPROVED

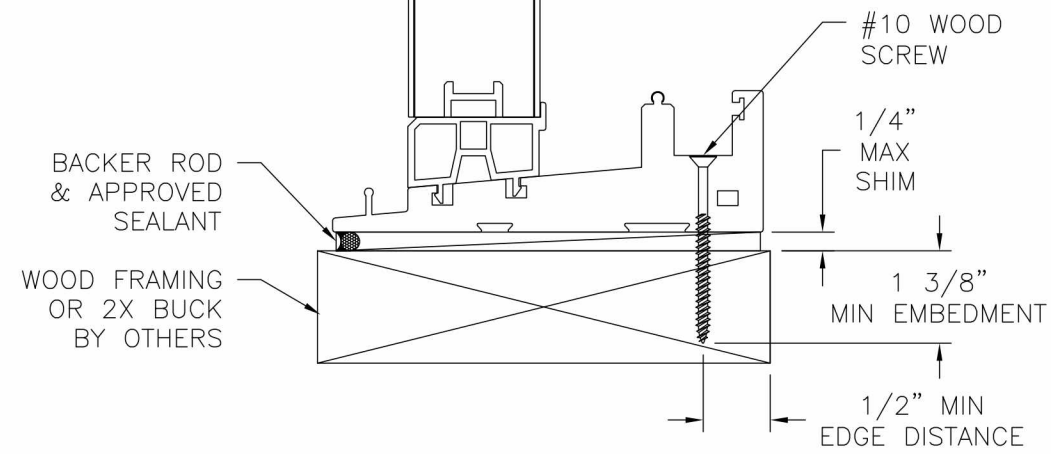


EXTERIOR INTERIOR



**JAMB INSTALLATION DETAIL**  
WOOD FRAMING OR 2X BUCK INSTALLATION  
SIDELITE SHOWN, DOOR SIMILAR

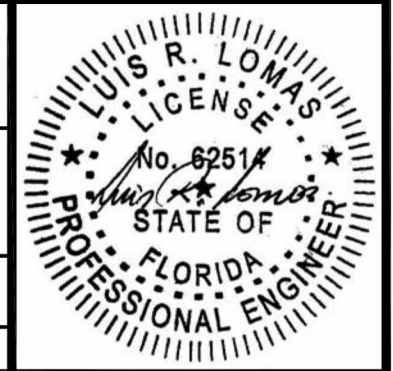
NOTES:  
1. INTERIOR AND EXTERIOR FINISHES, BY OTHERS, NOT SHOWN FOR CLARITY.  
2. PERIMETER AND JOINT SEALANT BY OTHERS TO BE DESIGNED IN ACCORDANCE WITH ASTM E2112



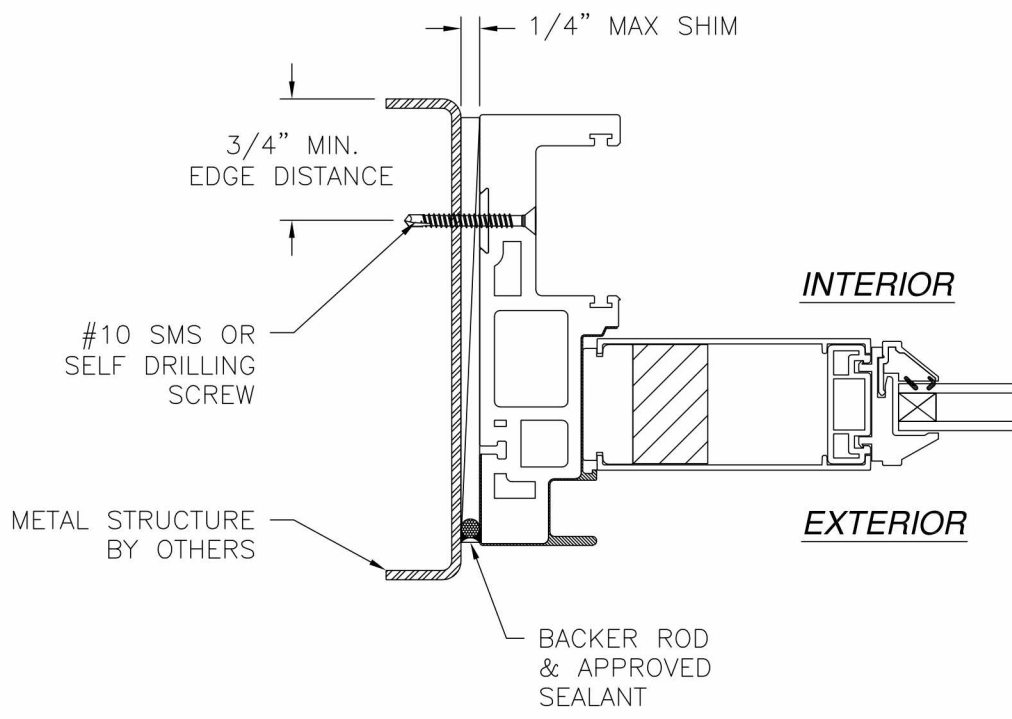
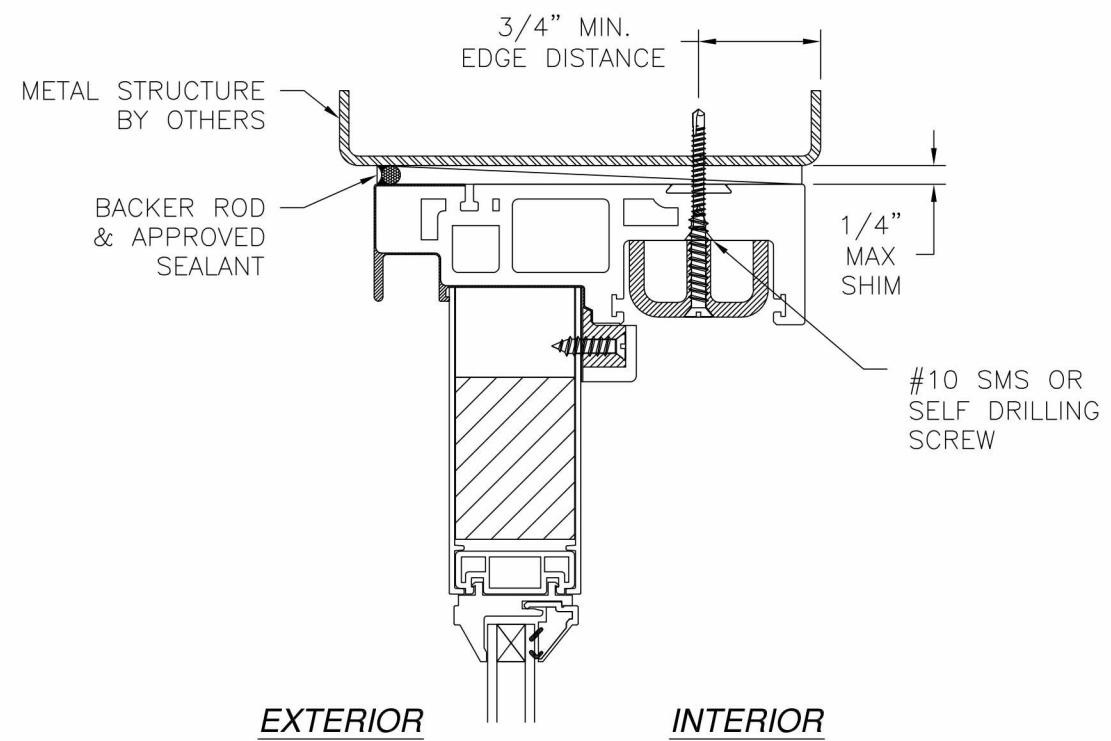
**VERTICAL CROSS SECTION**  
WOOD FRAMING OR 2X BUCK INSTALLATION  
SIDELITE SHOWN, DOOR SIMILAR

SIGNED: 09/01/2015

NAN YA PLASTICS CORPORATION U.S.A. 8989 NORTH LOOP EAST HOUSTON, TX 77029		
SERIES O/XO GLIDING PATIO DOOR SLIDING DOOR W/FIELD MULLION NON-IMPACT INSTALLATION DETAILS		
DRAWN: K.S.	DWG NO. 08-02790	REV -
SCALE NTS	DATE 07/24/15	SHEET 4 OF 6

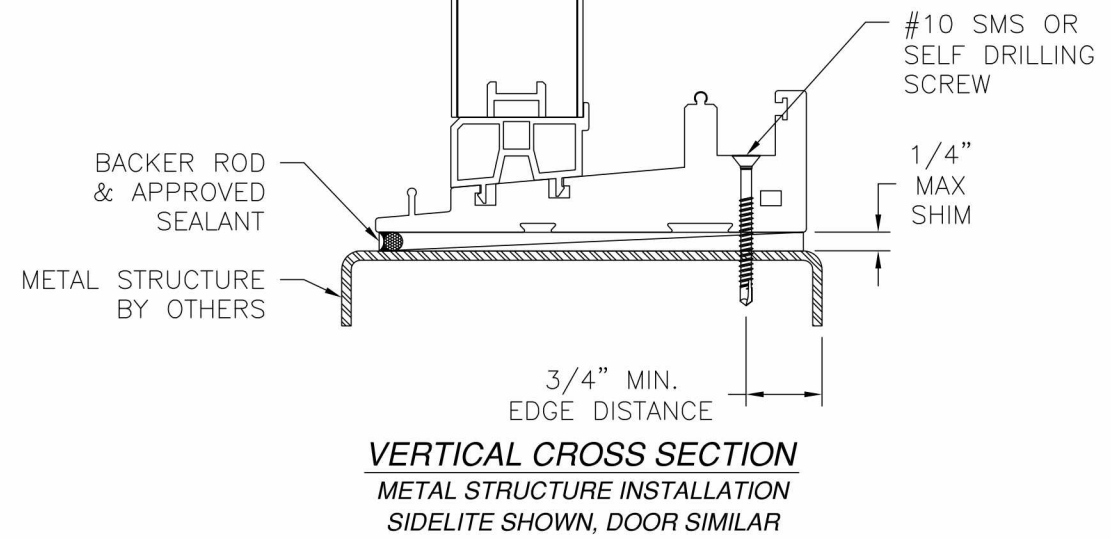


REVISIONS			
REV	DESCRIPTION	DATE	APPROVED



**JAMB INSTALLATION DETAIL**  
METAL STRUCTURE INSTALLATION  
SIDELITE SHOWN, DOOR SIMILAR

NOTES:  
1. INTERIOR AND EXTERIOR FINISHES, BY OTHERS, NOT SHOWN FOR CLARITY.  
2. PERIMETER AND JOINT SEALANT BY OTHERS TO BE DESIGNED IN ACCORDANCE WITH ASTM E2112



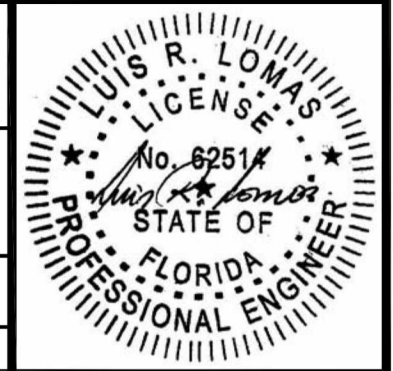
**VERTICAL CROSS SECTION**  
METAL STRUCTURE INSTALLATION  
SIDELITE SHOWN, DOOR SIMILAR

NAN YA PLASTICS CORPORATION U.S.A.  
8989 NORTH LOOP EAST  
HOUSTON, TX 77029

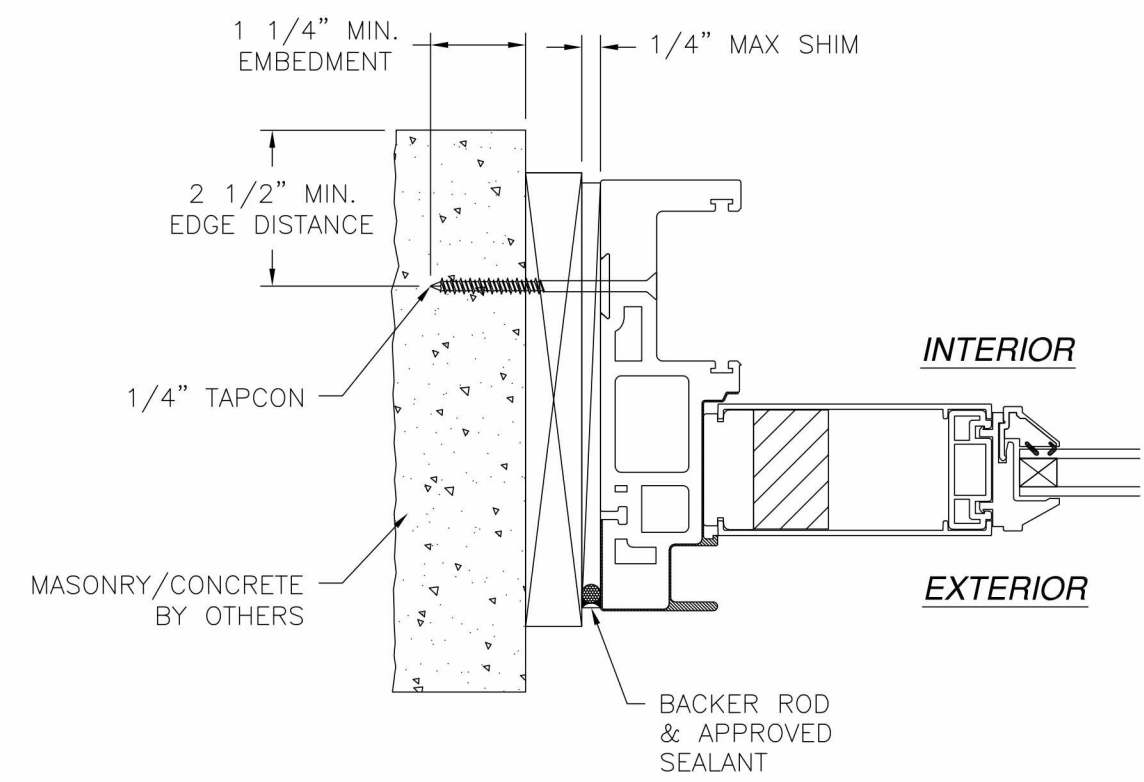
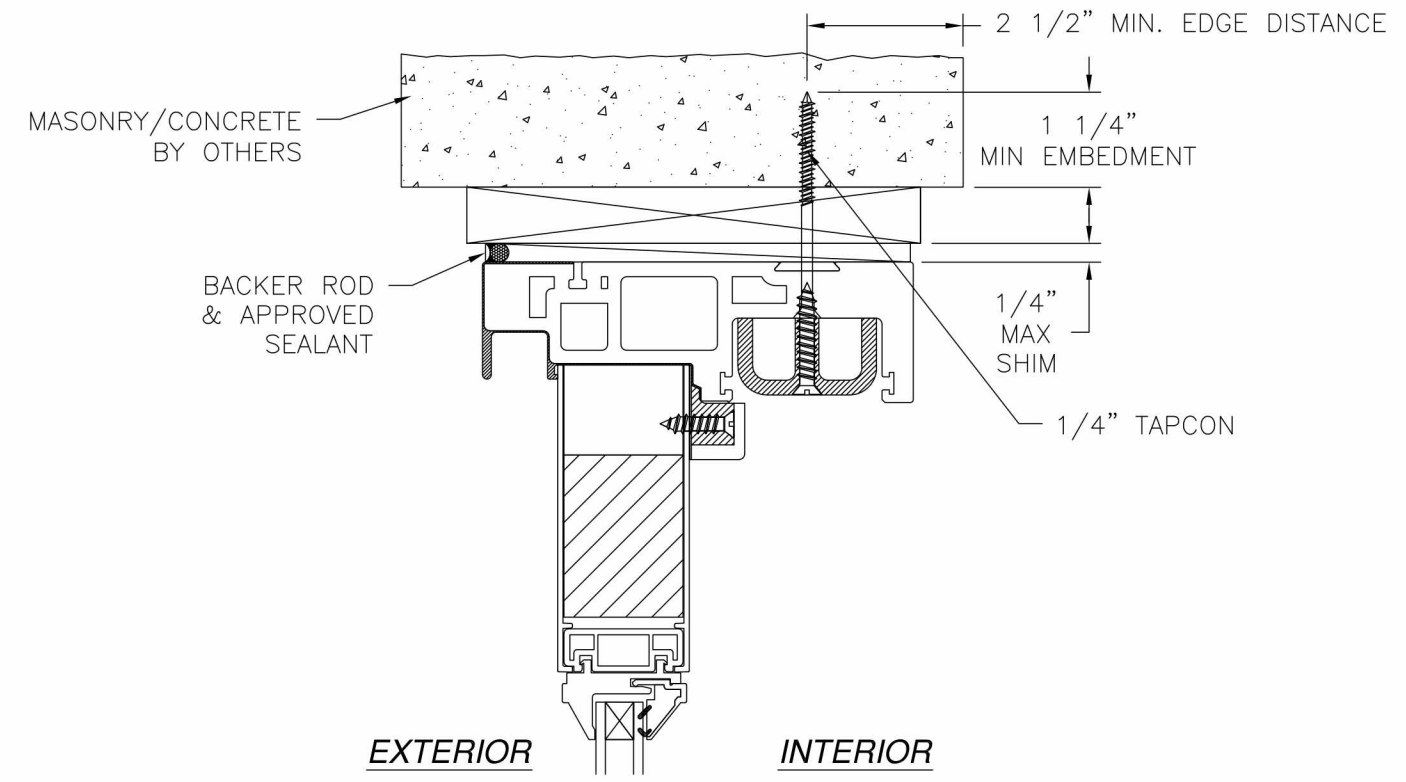
SERIES O/XO GLIDING PATIO DOOR  
SLIDING DOOR W/FIELD MULLION NON-IMPACT  
INSTALLATION DETAILS

DRAWN: K.S.	DWG NO. 08-02790	REV -
SCALE NTS	DATE 07/24/15	SHEET 5 OF 6

SIGNED: 09/01/2015

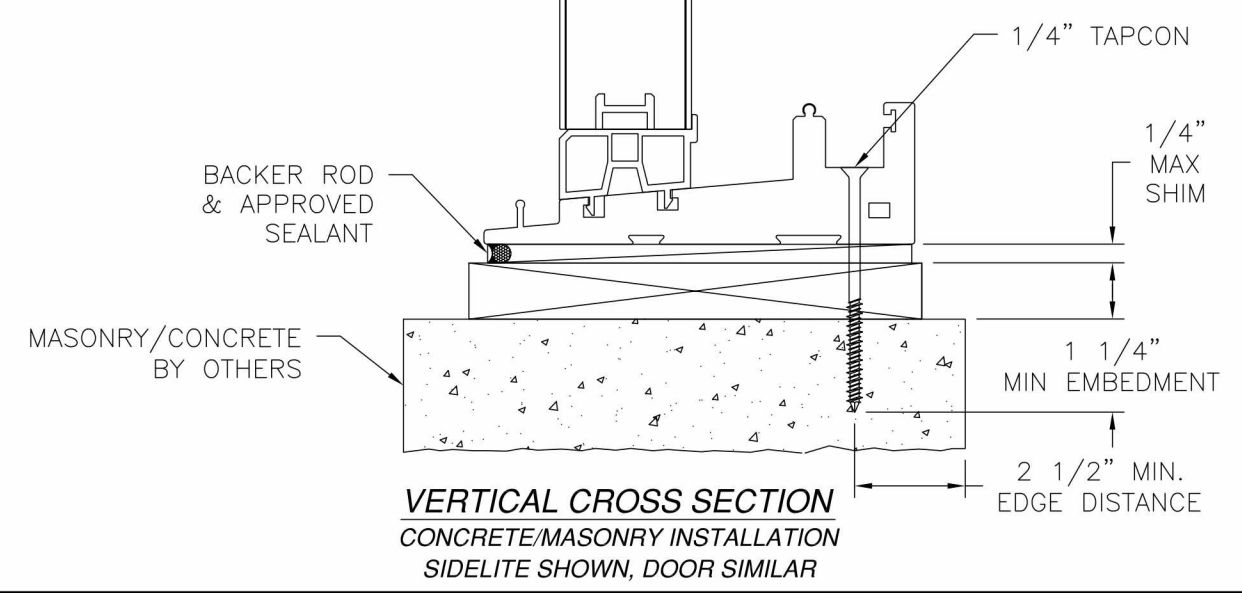


REVISIONS			
REV	DESCRIPTION	DATE	APPROVED



**JAMB INSTALLATION DETAIL**  
 CONCRETE/MASONRY INSTALLATION  
 SIDELITE SHOWN, DOOR SIMILAR

- NOTES:**
1. INTERIOR AND EXTERIOR FINISHES, BY OTHERS, NOT SHOWN FOR CLARITY.
  2. PERIMETER AND JOINT SEALANT BY OTHERS TO BE DESIGNED IN ACCORDANCE WITH ASTM E2112



**VERTICAL CROSS SECTION**  
 CONCRETE/MASONRY INSTALLATION  
 SIDELITE SHOWN, DOOR SIMILAR

SIGNED: 09/01/2015

NAN YA PLASTICS CORPORATION U.S.A. 8989 NORTH LOOP EAST HOUSTON, TX 77029		
SERIES O/XO GLIDING PATIO DOOR SLIDING DOOR W/FIELD MULLION NON-IMPACT INSTALLATION DETAILS		
DRAWN: K.S.	DWG NO. 08-02790	REV -
SCALE NTS	DATE 07/24/15	SHEET 6 OF 6

