

REVISIONS			
REV	DESCRIPTION	DATE	APPROVED

NOTES:

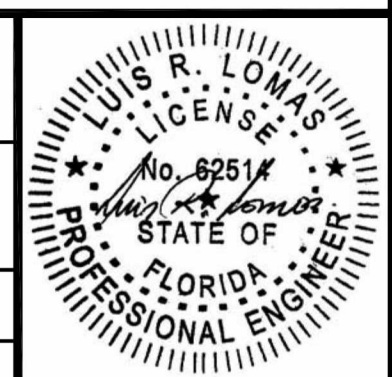
1. THE PRODUCT SHOWN HEREIN IS DESIGNED AND MANUFACTURED TO COMPLY WITH REQUIREMENTS OF THE FLORIDA BUILDING CODE.
2. WOOD FRAMING AND MASONRY OPENING TO BE DESIGNED AND ANCHORED TO PROPERLY TRANSFER ALL LOADS TO STRUCTURE. FRAMING AND MASONRY OPENING IS THE RESPONSIBILITY OF THE ARCHITECT OR ENGINEER OF RECORD.
3. 1X BUCK OVER MASONRY/CONCRETE IS OPTIONAL.
4. WHERE SHIM OR BUCK THICKNESS IS LESS THAN 1-1/2" WINDOW UNITS MUST BE ANCHORED THROUGH THE FRAME IN ACCORDANCE WITH MANUFACTURER'S PUBLISHED INSTALLATION INSTRUCTIONS. ANCHORS SHALL BE SECURELY FASTENED DIRECTLY INTO MASONRY, CONCRETE OR OTHER STRUCTURAL SUBSTRATE MATERIAL.
5. WHERE WOOD BUCK THICKNESS IS 1-1/2" OR GREATER, BUCK SHALL BE SECURELY FASTENED TO MASONRY, CONCRETE OR OTHER STRUCTURAL SUBSTRATE. WINDOW UNITS MAY BE ANCHORED THROUGH FRAME TO SECURED WOOD BUCK IN ACCORDANCE WITH MANUFACTURER'S PUBLISHED INSTALLATION INSTRUCTIONS.
6. WHERE 1X BUCK IS NOT USED DISSIMILAR MATERIALS MUST BE SEPARATED WITH APPROVED COATING OR MEMBRANE. SELECTION OF COATING OR MEMBRANE IS THE RESPONSIBILITY OF THE ARCHITECT OR ENGINEER OF RECORD.
7. BUCKS SHALL EXTEND BEYOND WINDOW INTERIOR FACE SO THAT FULL FRAME SUPPORT IS PROVIDED.
8. FOR FIN INSTALLATION SHIM AS NEEDED. FOR FRAME INSTALLATION SHIM AS REQUIRED AT EACH ANCHOR LOCATION WITH LOAD BEARING SHIM. SHIM WHERE SPACE OF 1/16" OR GREATER OCCURS. MAXIMUM ALLOWABLE SHIM STACK TO BE 1/4".
9. SHIMS SHALL BE LOCATED, APPLIED AND MADE FROM MATERIALS AND THICKNESS CAPABLE OF SUSTAINING APPLICABLE LOADS.
10. WIND LOAD DURATION FACTOR Cd=1.6 WAS USED FOR WOOD ANCHOR CALCULATIONS.
11. FRAME MATERIAL: CO-EXTRUDED PVC FOAM.
12. UNITS MUST BE GLAZED PER ASTM E1300-04, SEE SHEET 2 FOR GLASS DETAILS.
13. APPROVED IMPACT PROTECTIVE SYSTEM IS NOT REQUIRED FOR THIS PRODUCT IN WIND BORNE DEBRIS REGIONS.
14. FOR ANCHORING INTO WOOD FRAMING OR 2X BUCK USE #10 WOOD SCREWS WITH SUFFICIENT LENGTH TO ACHIEVE A 1 3/8" MINIMUM EMBEDMENT INTO SUBSTRATE. LOCATE ANCHORS AS SHOWN IN ELEVATIONS AND INSTALLATION DETAILS.

15. FOR ANCHORING INTO MASONRY/CONCRETE USE 1/4" TAPCONS WITH SUFFICIENT LENGTH TO ACHIEVE A 1 1/4" MINIMUM EMBEDMENT INTO SUBSTRATE WITH 2 1/2" MINIMUM EDGE DISTANCE. LOCATE ANCHORS AS SHOWN IN ELEVATIONS AND INSTALLATION DETAILS.
16. FOR ANCHORING INTO METAL STRUCTURE USE #10 SMS OR SELF DRILLING SCREWS WITH SUFFICIENT LENGTH TO ACHIEVE 3 THREADS MINIMUM BEYOND STRUCTURE INTERIOR WALL. LOCATE ANCHORS AS SHOWN IN ELEVATIONS AND INSTALLATION DETAILS.
17. ALL FASTENERS TO BE CORROSION RESISTANT.
18. INSTALLATION ANCHORS SHALL BE INSTALLED IN ACCORDANCE WITH ANCHOR MANUFACTURER'S INSTALLATION INSTRUCTIONS AND ANCHORS SHALL NOT BE USED IN SUBSTRATES WITH STRENGTHS LESS THAN THE MINIMUM STRENGTH SPECIFIED BELOW:
  - A. WOOD - MINIMUM SPECIFIC GRAVITY OF G=0.42
  - B. CONCRETE - MINIMUM COMPRESSIVE STRENGTH OF 3,192 PSI.
  - C. MASONRY - STRENGTH CONFORMANCE TO ASTM C-90, GRADE N, TYPE 1 (OR GREATER).
  - D. METAL STRUCTURE: STEEL 18GA, 33KSI OR ALUMINUM 6063-T5 1/8" THICK MINIMUM
19. APPROVED CONFIGURATIONS: O/OX, O/XO, OX, XO.

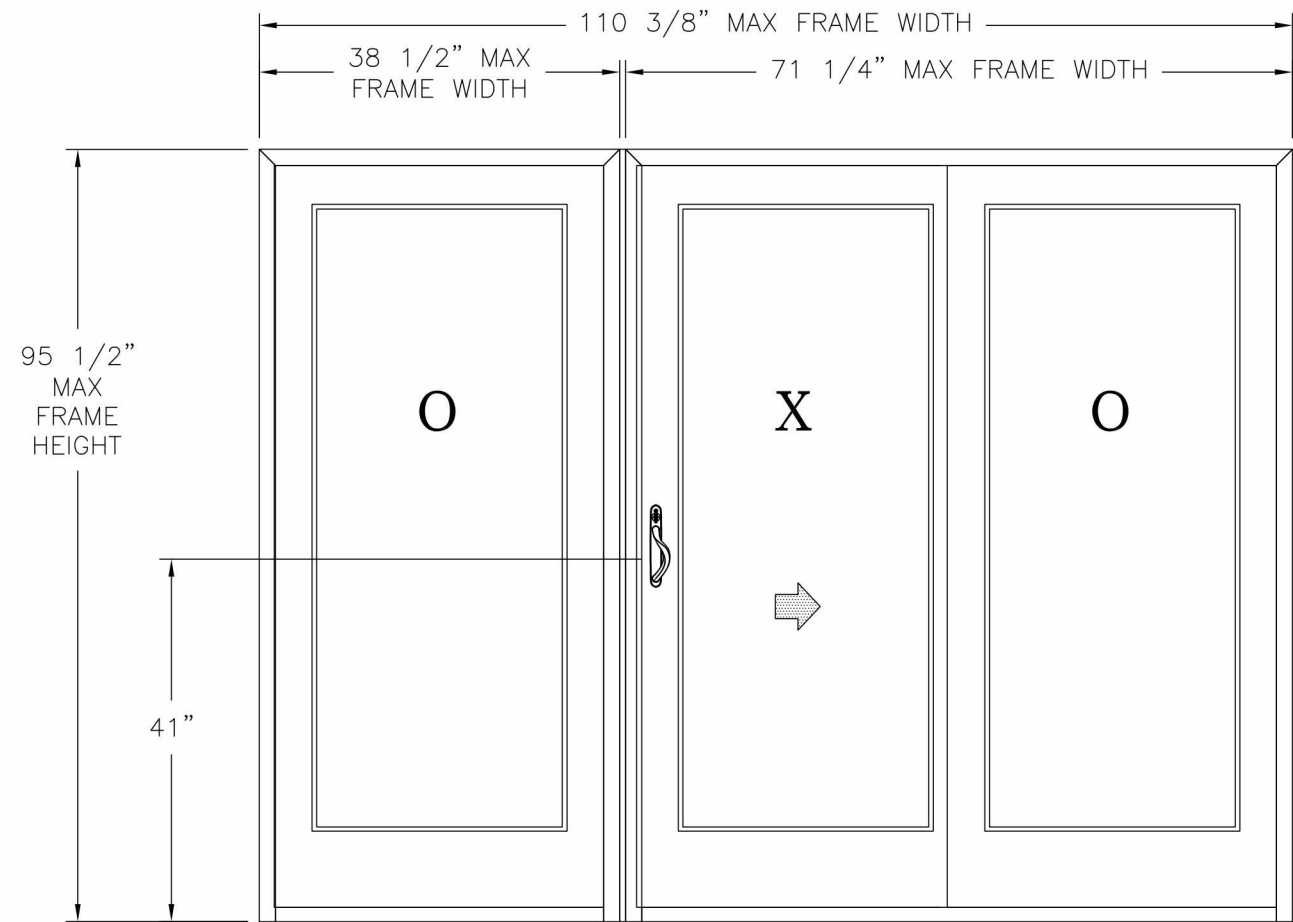
SIGNED: 09/08/2015

TABLE OF CONTENTS	
SHEET NO.	DESCRIPTION
1	NOTES
2	ELEVATIONS
3 - 6	INSTALLATION DETAILS

NAN YA PLASTICS CORPORATION U.S.A. 8989 NORTH LOOP EAST HOUSTON, TX 77029		
SERIES O/XO GLIDING PATIO DOOR SLIDING DOOR W/FIELD MULLION - L.M.I. NOTES		
DRAWN: N.G.	DWG NO. 08-02811	REV -
SCALE NTS	DATE 09/08/15	SHEET 1 OF 6



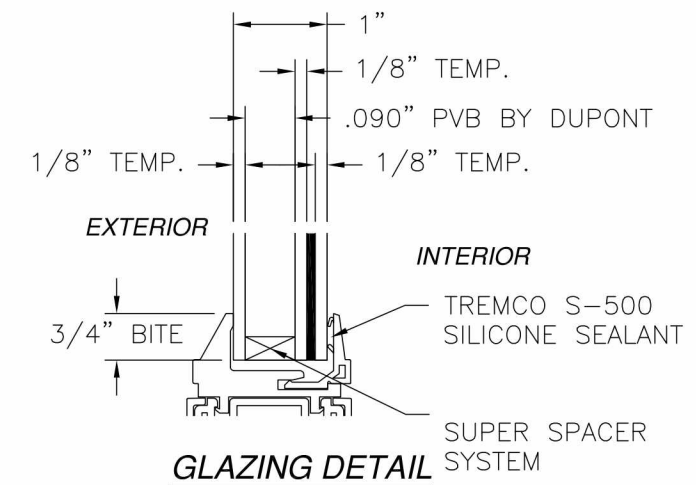
REVISIONS			
REV	DESCRIPTION	DATE	APPROVED



**SERIES O/XO GLIDING PATIO DOOR**  
EXTERIOR VIEW

DESIGN PRESSURE RATING	IMPACT RATING
±50.0PSF	LARGE MISSILE IMPACT

MISSILE LEVEL D, WIND ZONE 4



**GLAZING DETAIL**

- NOTES:  
 1. MAXIMUM PANEL SIZE: 35 3/4" X 92 19/32"  
 2. MAXIMUM D.L.O.: 25" X 79"

**HARDWARE SCHEDULE**

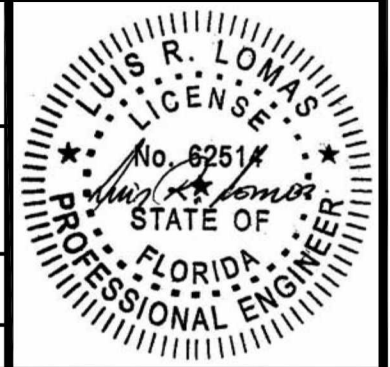
A.	DIE CAST LOCK KEEPER AT EACH LOCKING PPOINT
B.	STAINLESS STEEL MULTI POIN LOCK AT ACTIVE PANEL
C.	DIE CAST HANDLE SETS AT ACTIVE PANEL
D.	1/8" STEEL REINFORCEMENT AT ACTIVE, FIXED AND STATIONARY STILES
E.	11/32" X 19/32" SCREW REINFORCEMENT AT WOOD STILES ON PANEL STILES

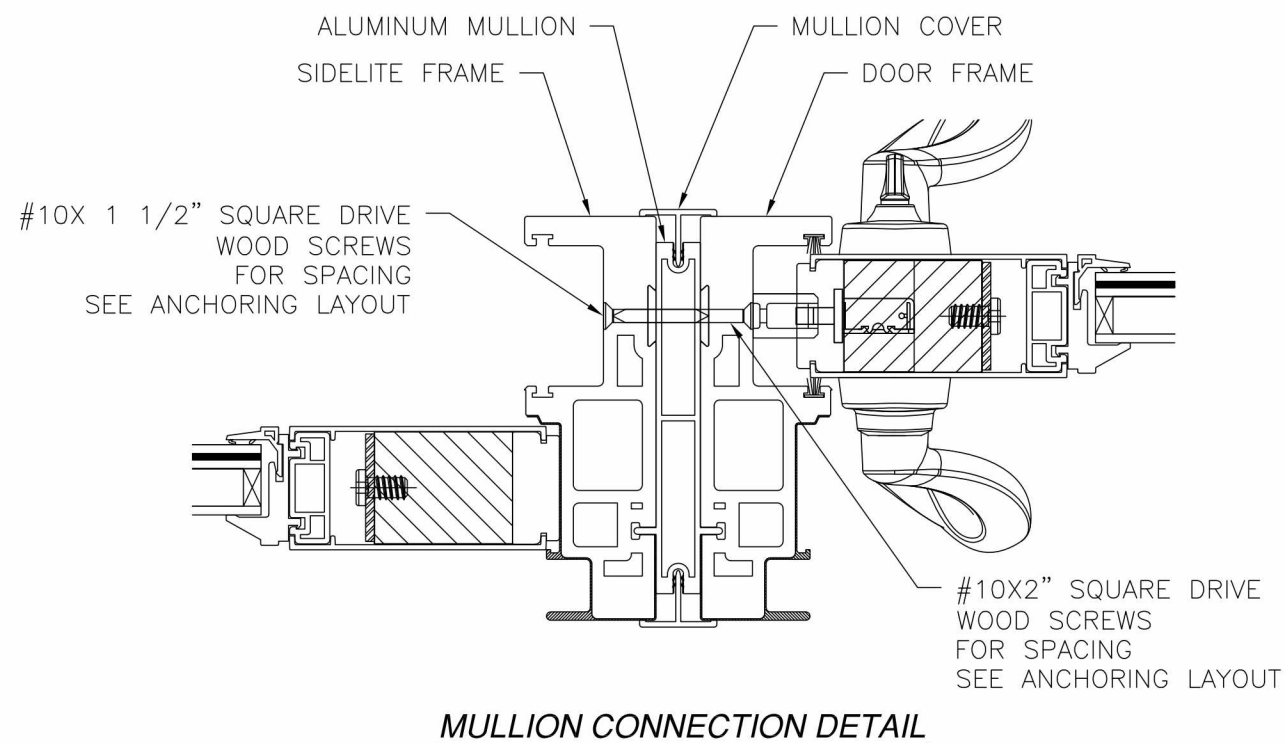
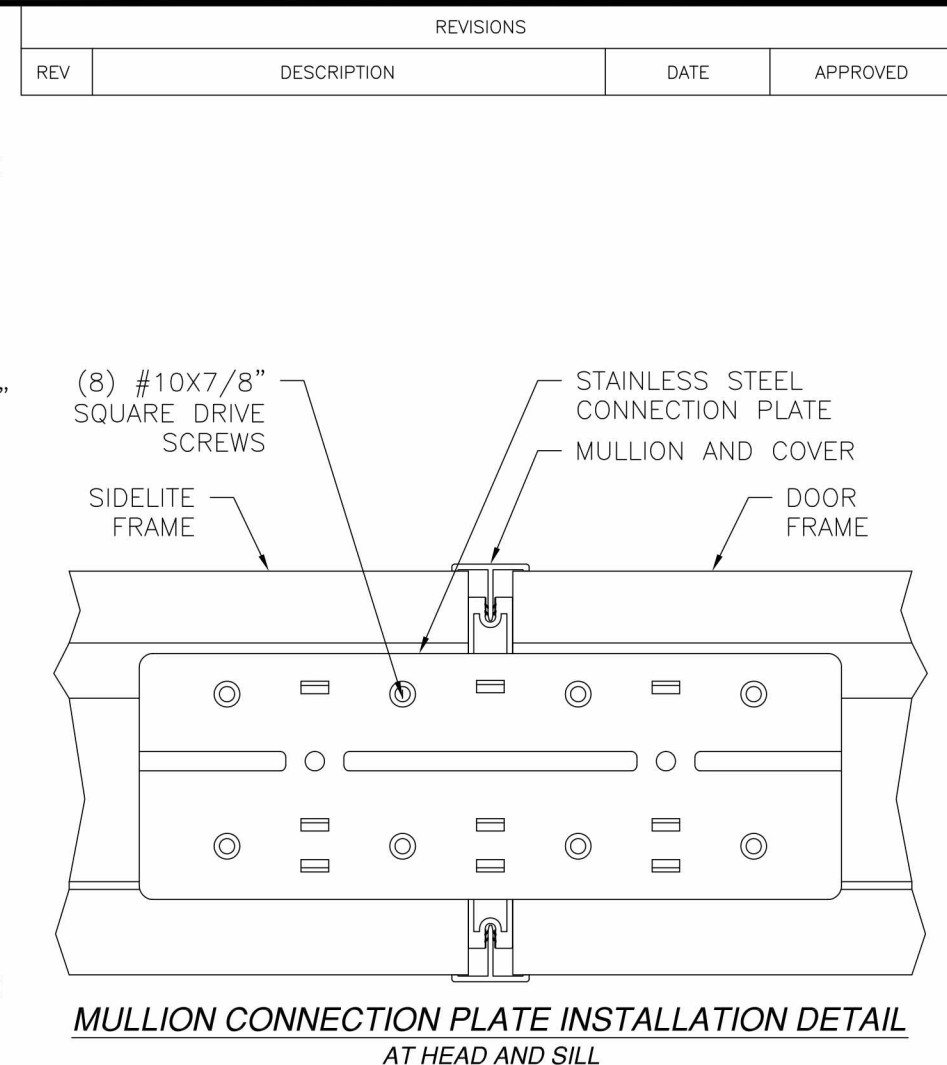
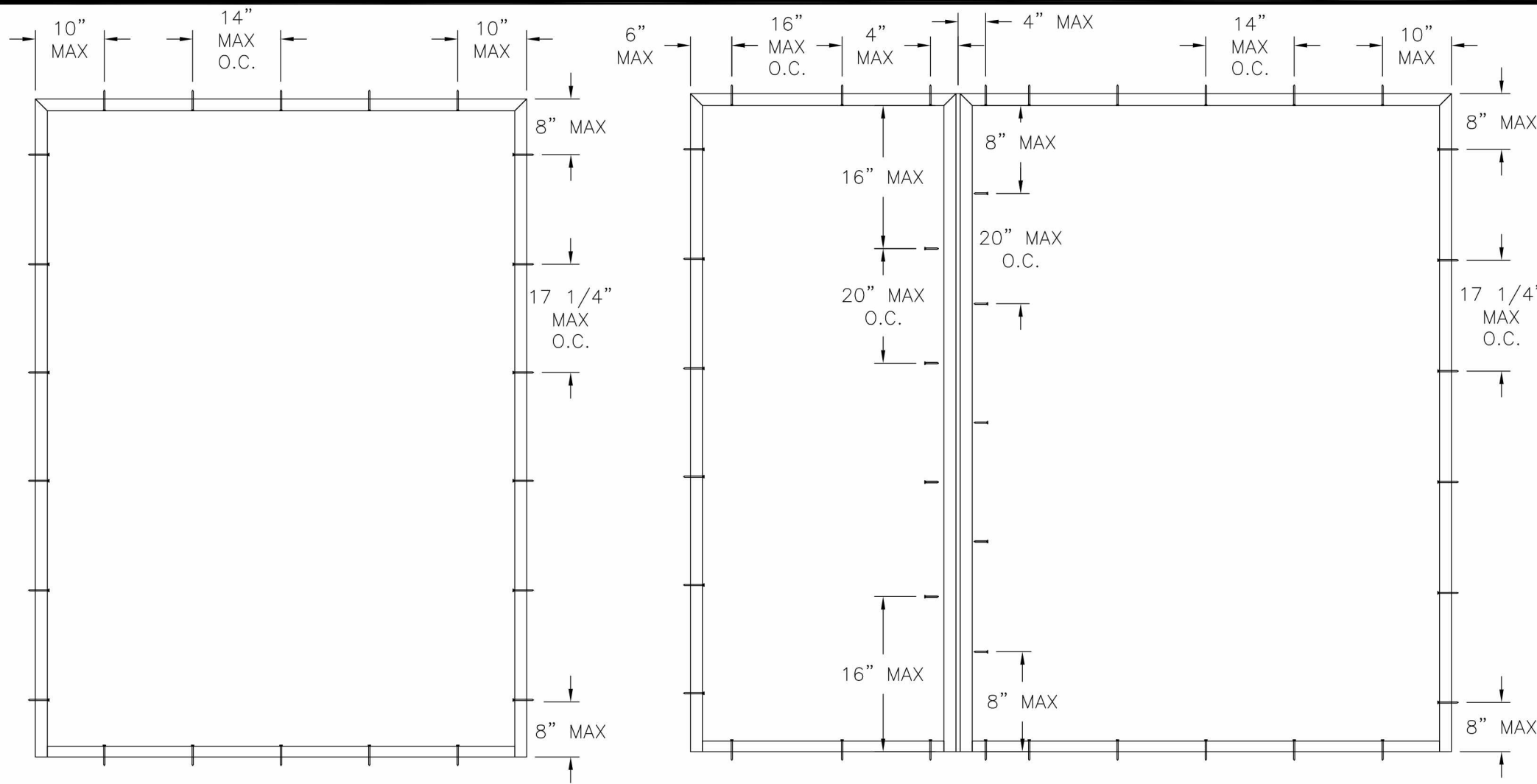
SIGNED: 09/08/2015

NAN YA PLASTICS CORPORATION U.S.A.  
 8989 NORTH LOOP EAST  
 HOUSTON, TX 77029

SERIES O/XO GLIDING PATIO DOOR  
 SLIDING DOOR W/FIELD MULLION - L.M.I.  
 ELEVATIONS

DRAWN: N.G.	DWG NO. 08-02811	REV -
SCALE NTS	DATE 09/08/15	SHEET 2 OF 6



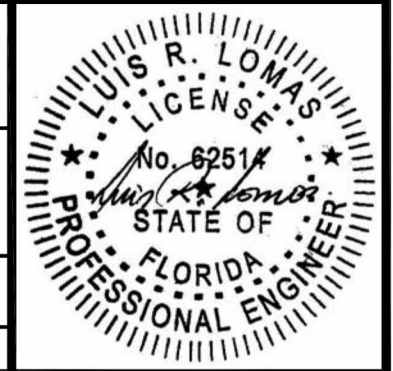


NAN YA PLASTICS CORPORATION U.S.A.  
 8989 NORTH LOOP EAST  
 HOUSTON, TX 77029

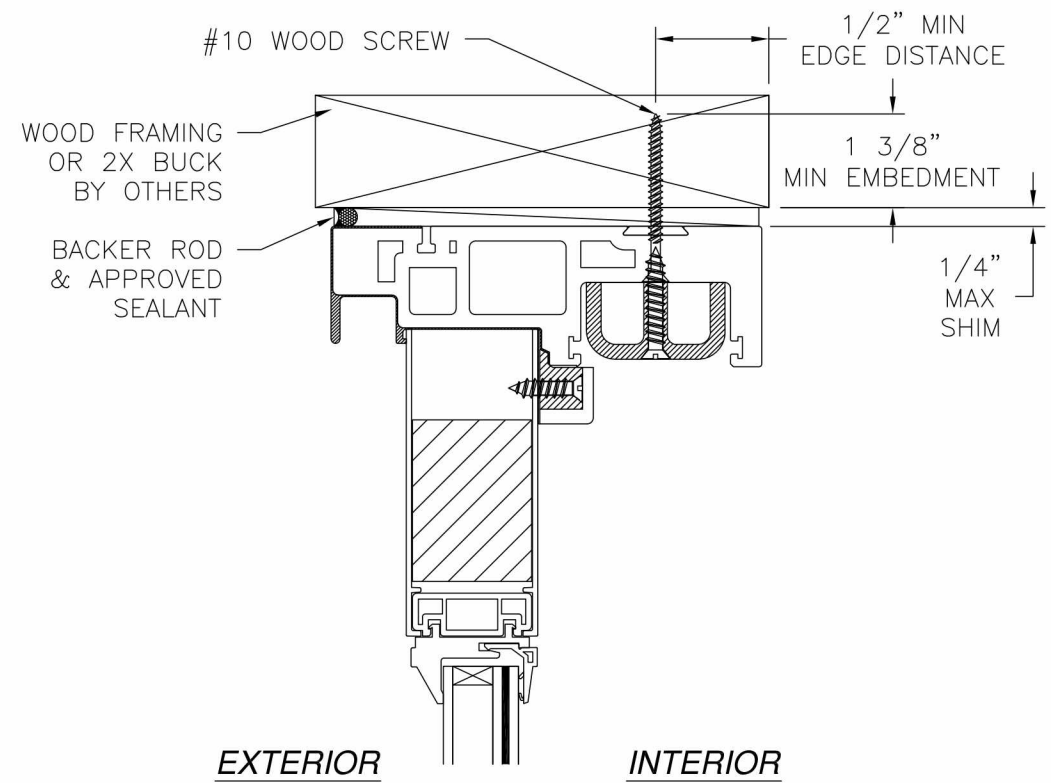
SERIES O/XO GLIDING PATIO DOOR  
 SLIDING DOOR W/FIELD MULLION - L.M.I.  
 ANCHORING LAYOUTS

DRAWN: N.G.	DWG NO. 08-02811	REV -
SCALE NTS	DATE 09/08/15	SHEET 3 OF 6

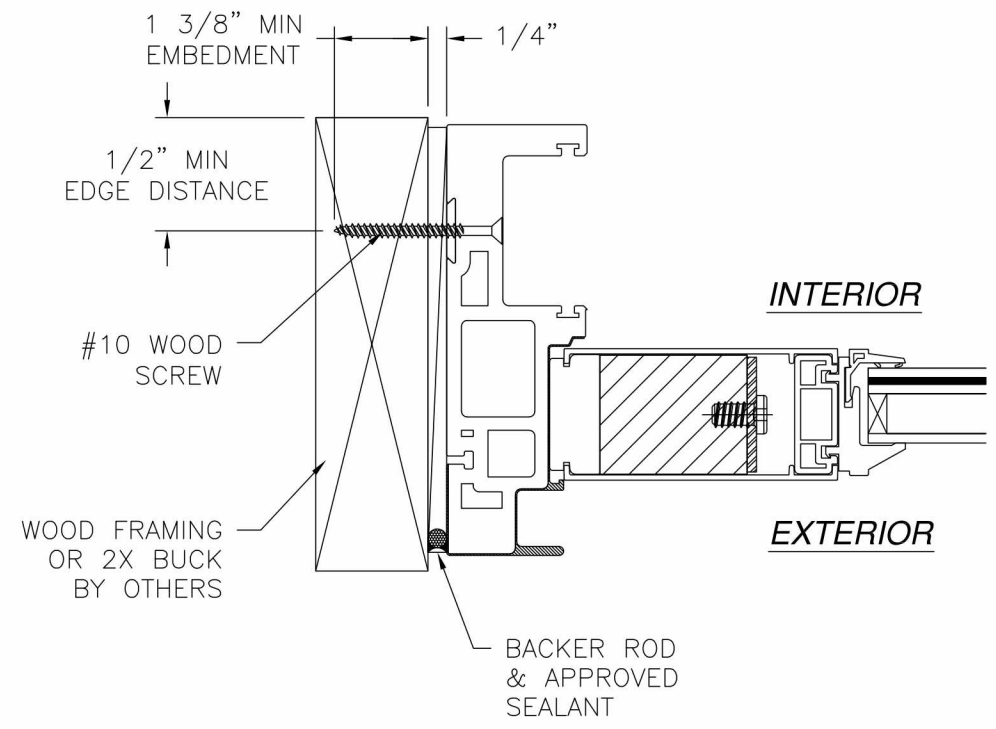
SIGNED: 09/08/2015



REVISIONS			
REV	DESCRIPTION	DATE	APPROVED

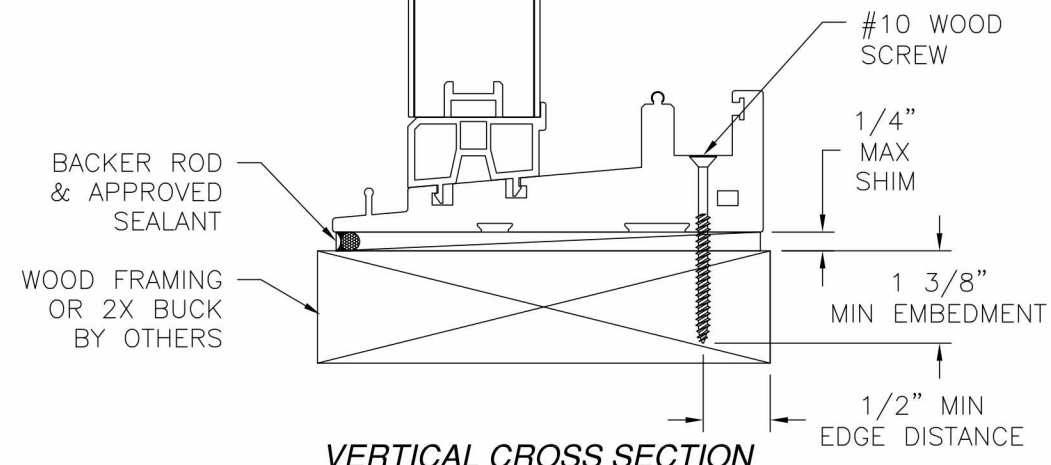


EXTERIOR INTERIOR



**JAMB INSTALLATION DETAIL**  
WOOD FRAMING OR 2X BUCK INSTALLATION  
SIDELITE SHOWN, DOOR SIMILAR

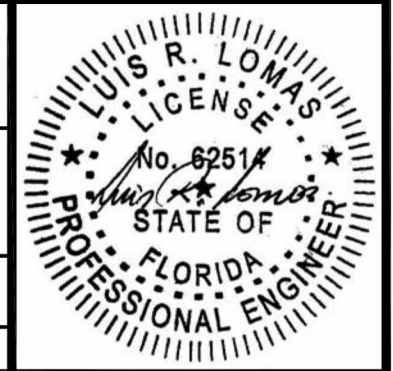
- NOTES:
1. INTERIOR AND EXTERIOR FINISHES, BY OTHERS, NOT SHOWN FOR CLARITY.
  2. PERIMETER AND JOINT SEALANT BY OTHERS TO BE DESIGNED IN ACCORDANCE WITH ASTM E2112



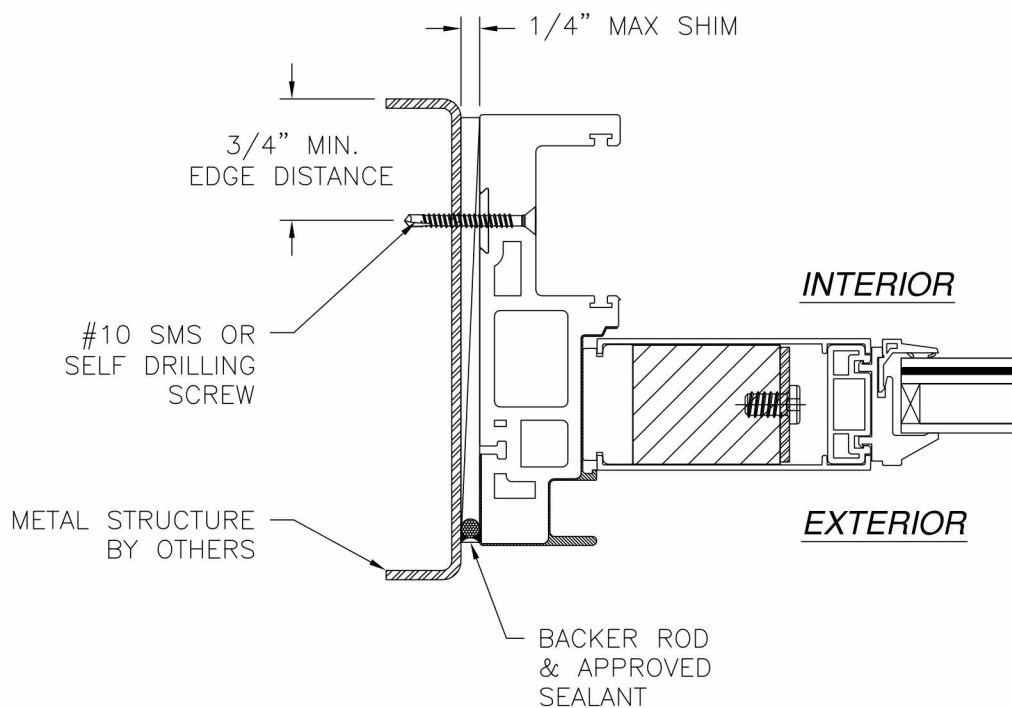
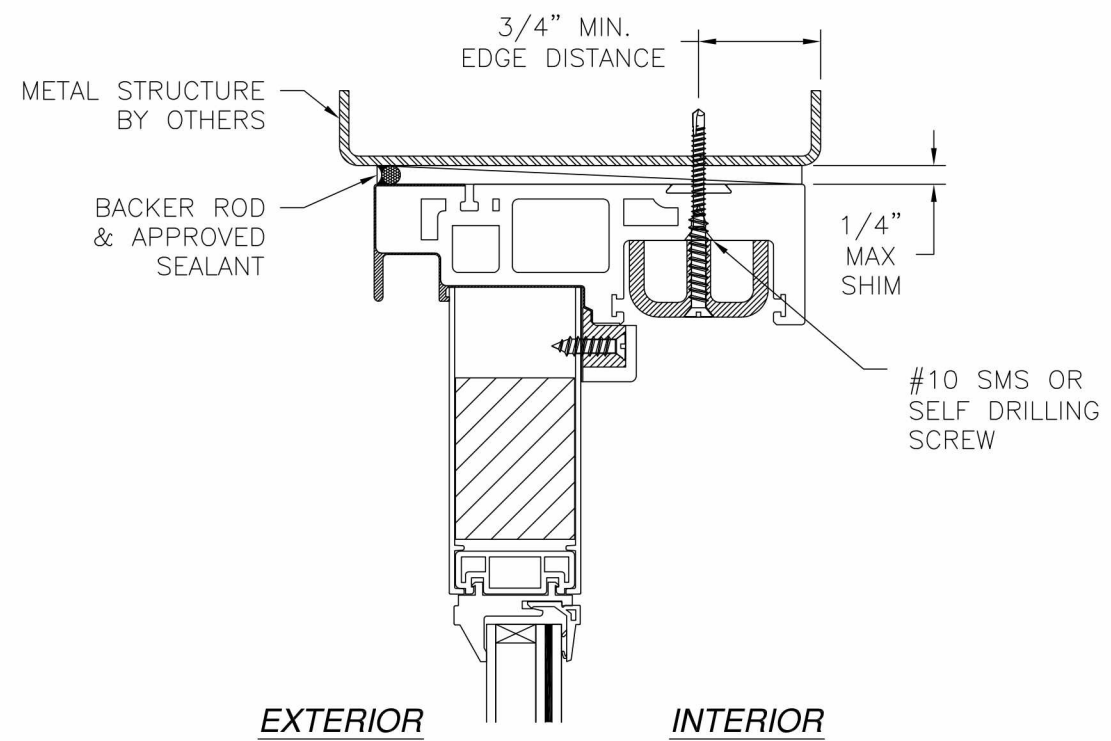
**VERTICAL CROSS SECTION**  
WOOD FRAMING OR 2X BUCK INSTALLATION  
SIDELITE SHOWN, DOOR SIMILAR

SIGNED: 09/08/2015

NAN YA PLASTICS CORPORATION U.S.A. 8989 NORTH LOOP EAST HOUSTON, TX 77029		
SERIES O/XO GLIDING PATIO DOOR SLIDING DOOR W/FIELD MULLION - L.M.I. INSTALLATION DETAILS		
DRAWN: N.G.	DWG NO. 08-02811	REV -
SCALE NTS	DATE 09/08/15	SHEET 4 OF 6

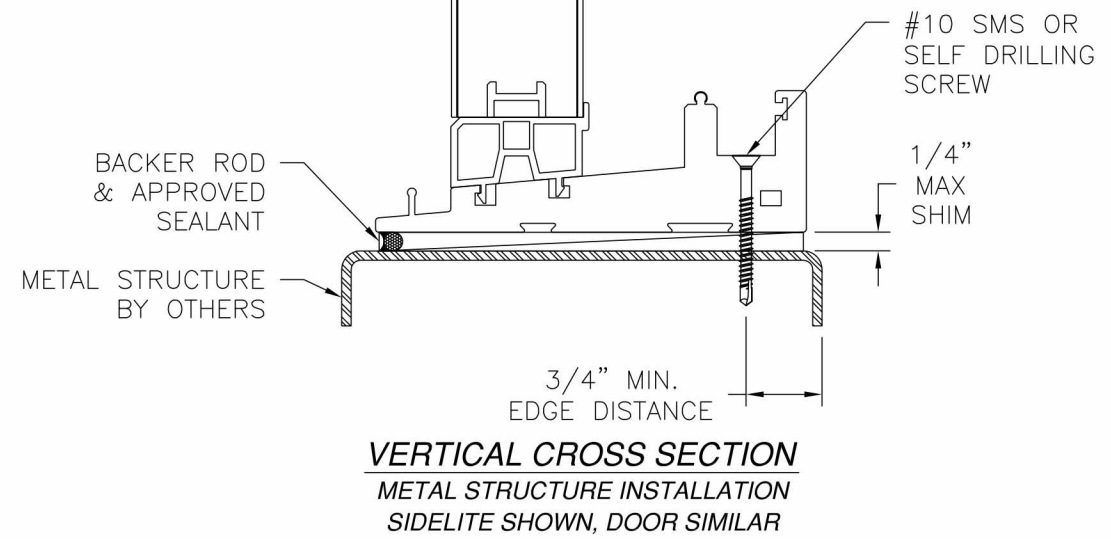


REVISIONS			
REV	DESCRIPTION	DATE	APPROVED



**JAMB INSTALLATION DETAIL**  
 METAL STRUCTURE INSTALLATION  
 SIDELITE SHOWN, DOOR SIMILAR

NOTES:  
 1. INTERIOR AND EXTERIOR FINISHES, BY OTHERS, NOT SHOWN FOR CLARITY.  
 2. PERIMETER AND JOINT SEALANT BY OTHERS TO BE DESIGNED IN ACCORDANCE WITH ASTM E2112



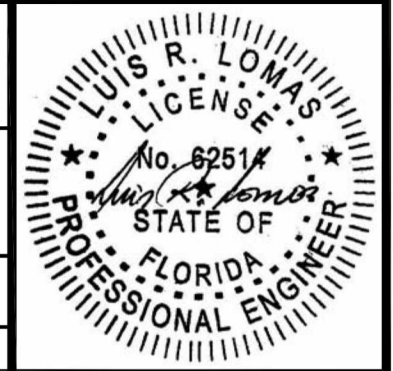
**VERTICAL CROSS SECTION**  
 METAL STRUCTURE INSTALLATION  
 SIDELITE SHOWN, DOOR SIMILAR

NAN YA PLASTICS CORPORATION U.S.A.  
 8989 NORTH LOOP EAST  
 HOUSTON, TX 77029

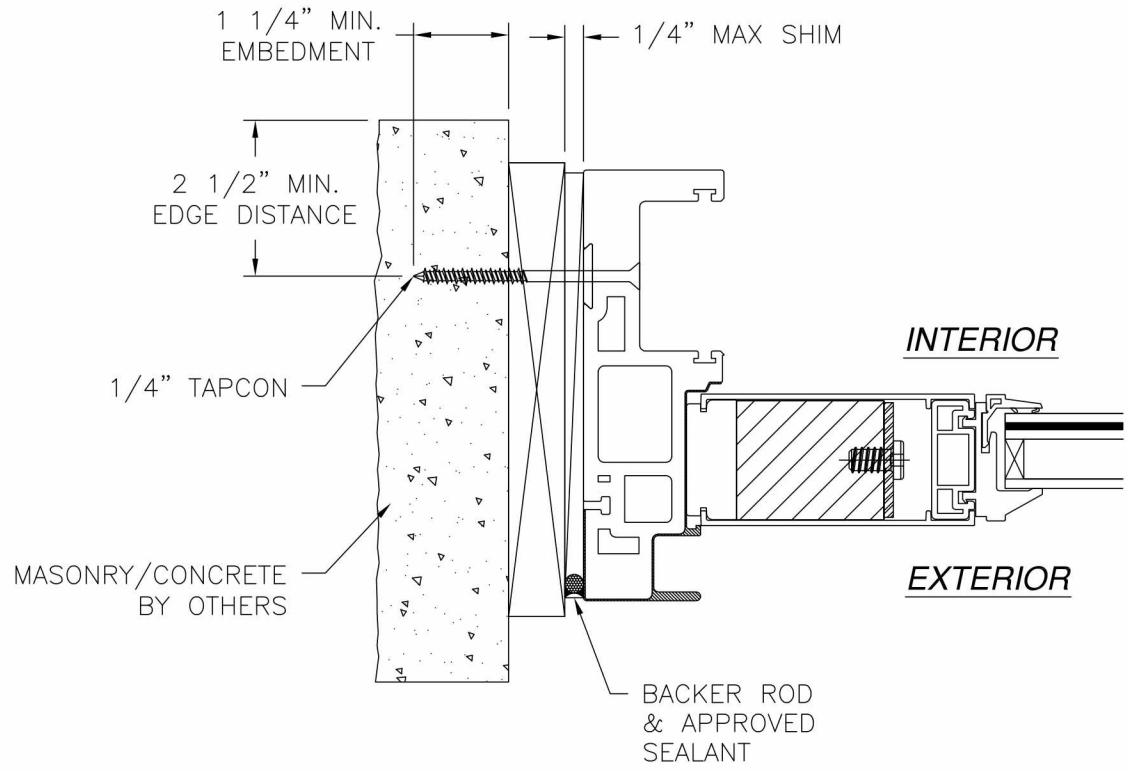
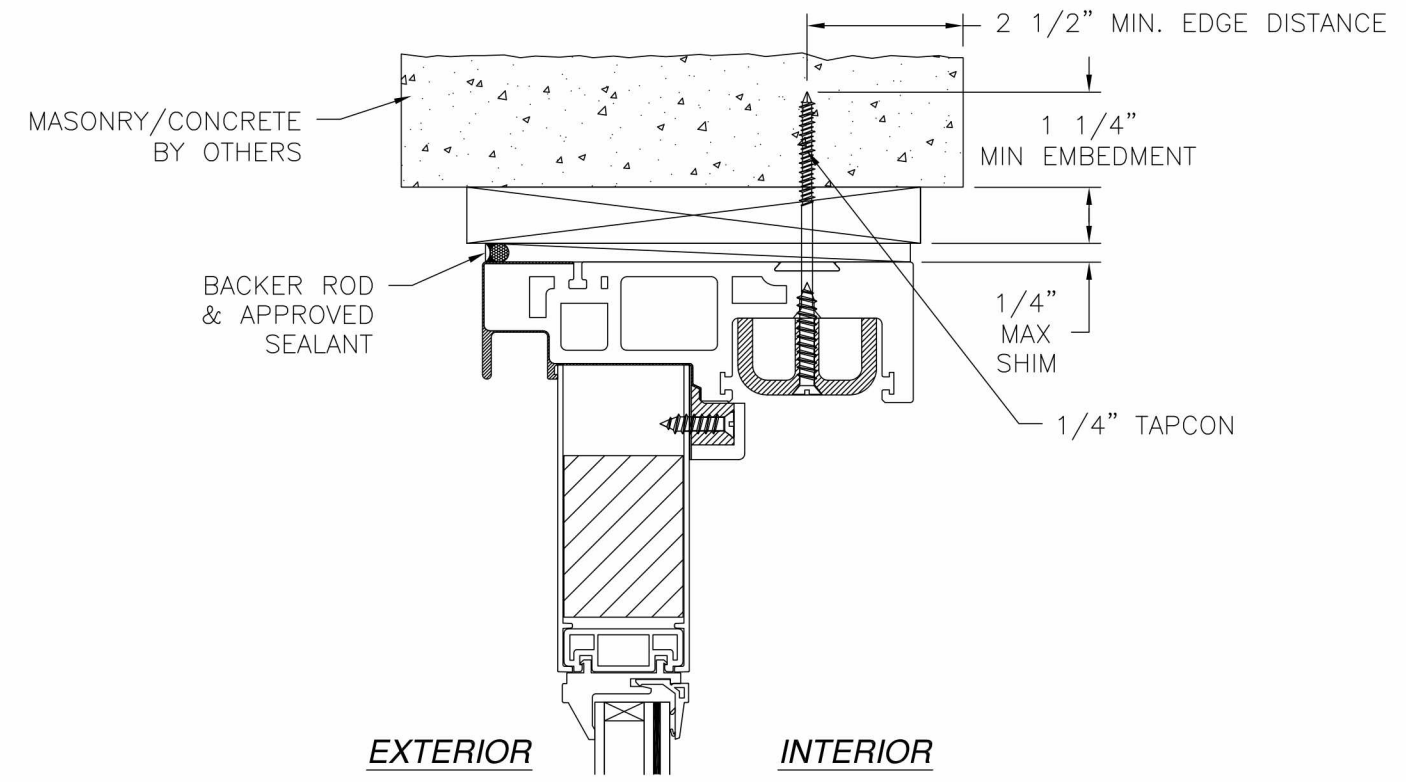
SERIES O/XO GLIDING PATIO DOOR  
 SLIDING DOOR W/FIELD MULLION - L.M.I.  
 INSTALLATION DETAILS

DRAWN: N.G.	DWG NO. 08-02811	REV -
SCALE NTS	DATE 09/08/15	SHEET 5 OF 6

SIGNED: 09/08/2015

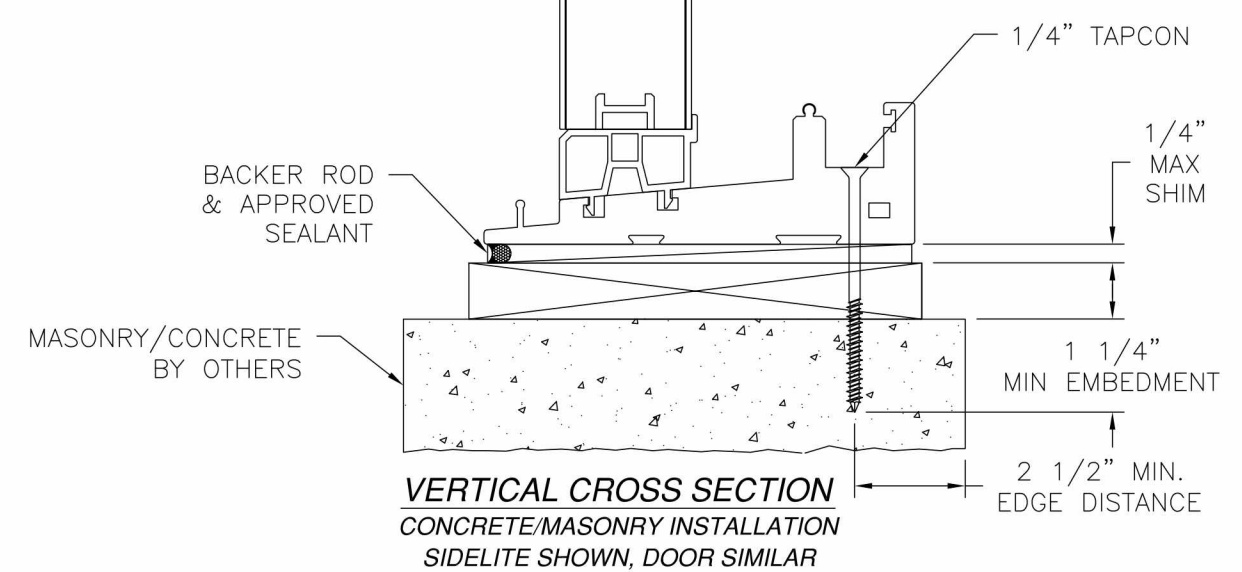


REVISIONS			
REV	DESCRIPTION	DATE	APPROVED



**JAMB INSTALLATION DETAIL**  
 CONCRETE/MASONRY INSTALLATION  
 SIDELITE SHOWN, DOOR SIMILAR

- NOTES:**
1. INTERIOR AND EXTERIOR FINISHES, BY OTHERS, NOT SHOWN FOR CLARITY.
  2. PERIMETER AND JOINT SEALANT BY OTHERS TO BE DESIGNED IN ACCORDANCE WITH ASTM E2112



**VERTICAL CROSS SECTION**  
 CONCRETE/MASONRY INSTALLATION  
 SIDELITE SHOWN, DOOR SIMILAR

SIGNED: 09/08/2015

NAN YA PLASTICS CORPORATION U.S.A. 8989 NORTH LOOP EAST HOUSTON, TX 77029		
SERIES O/XO GLIDING PATIO DOOR SLIDING DOOR W/FIELD MULLION - L.M.I. INSTALLATION DETAILS		
DRAWN: N.G.	DWG NO. 08-02811	REV -
SCALE NTS	DATE 09/08/15	SHEET 6 OF 6

