

INSTALLATION OF THIS PRODUCT IN THE HVHZ AREA REQUIRES THE USE OF APPROVED SHUTTERS OR EXTERNAL PROTECTION DEVICES COMPLYING WITH HVHZ REQUIREMENTS.
 INSTALLATION OF THIS SYSTEM OUTSIDE THE HVHZ AREA SHALL MEET THE APPLICABLE REQUIREMENTS FOR WIND BORNE DEBRIS PROTECTION.

SERIES 10000 PVC SINGLE HUNG TILT WINDOW

DESIGN LOAD RATINGS FOR THESE WINDOWS TO BE AS PER CHARTS SHOWN ON SHEET 2.

APPROVAL APPLIES TO SINGLE UNITS OR SIDE BY SIDE COMBINATIONS OF S.H./S.H. OR SINGLE HUNG WITH OTHER WINDOW TYPES IN MODULES OF TWO OR MORE WINDOWS USING F.B.C. APPROVED MULLIONS IN BETWEEN.

LOWER DESIGN PRESSURE FROM WINDOWS OR MULLION APPROVAL WILL APPLY TO ENTIRE SYSTEM.

THIS PRODUCT HAS BEEN DESIGNED AND TESTED TO COMPLY WITH THE REQUIREMENTS OF THE FLORIDA BUILDING CODE INCLUDING HIGH VELOCITY HURRICANE ZONE (HVHZ).

WOOD BUCKS BY OTHERS, MUST BE ANCHORED PROPERLY TO TRANSFER LOADS TO THE STRUCTURE.

ANCHORS SHALL BE AS LISTED, SPACED AS SHOWN ON DETAILS, ANCHORS EMBEDMENT TO BASE MATERIAL SHALL BE BEYOND WALL DRESSING OR STUCCO.

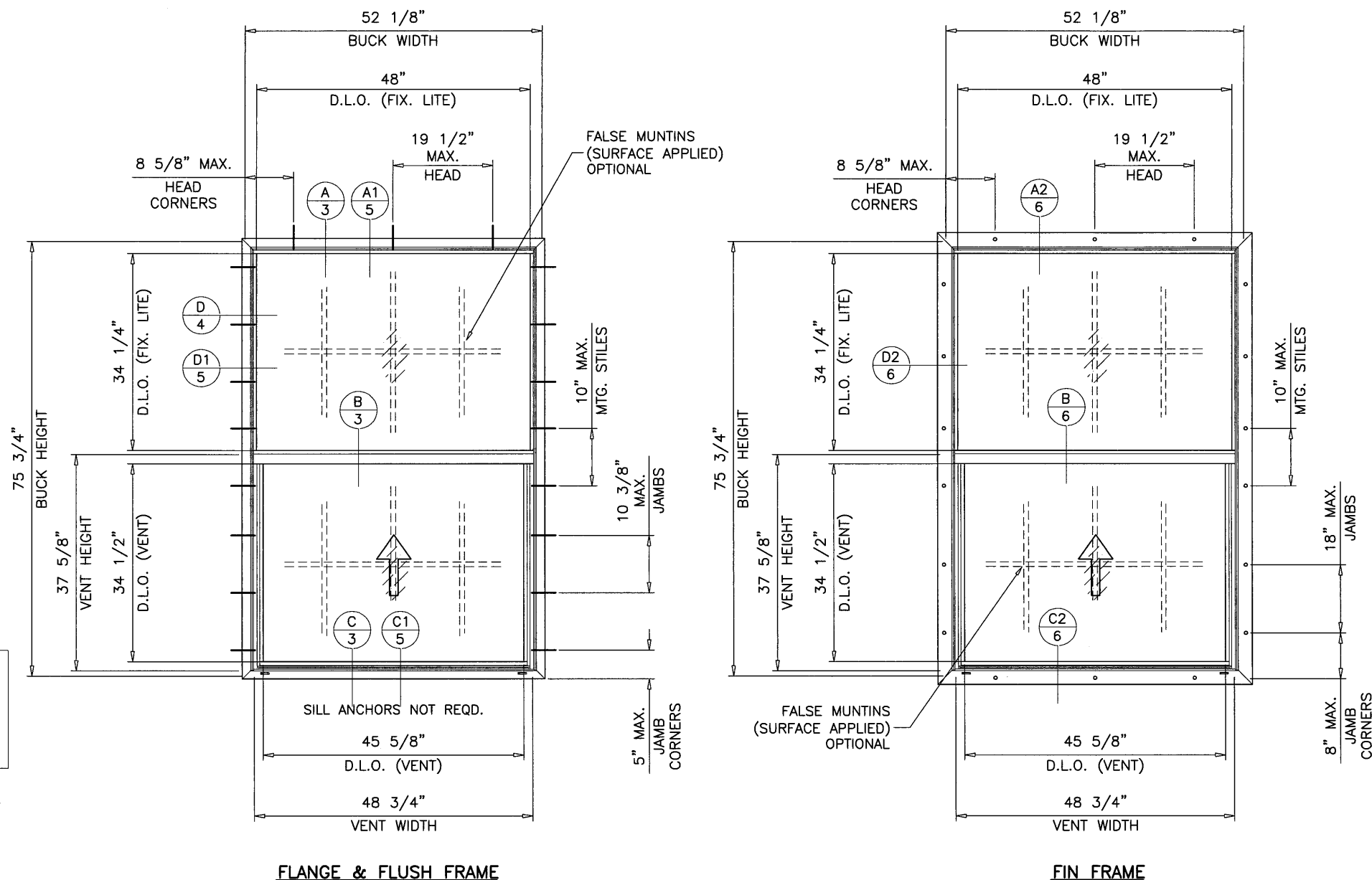
ANCHORING OR LOADING CONDITIONS NOT SHOWN IN THESE DETAILS ARE NOT PART OF THIS APPROVAL.

A LOAD DURATION INCREASE IS USED IN DESIGN OF ANCHORS INTO WOOD ONLY.

ALL SHIMS TO BE HIGH IMPACT, NON-METALLIC AND NON-COMPRESSIBLE.

MATERIALS INCLUDING BUT NOT LIMITED TO STEEL/METAL SCREWS, THAT COME INTO CONTACT WITH OTHER DISSIMILAR MATERIALS SHALL MEET THE REQUIREMENTS OF THE FLORIDA BUILDING CODE.

MANUFACTURER'S LABEL SHALL BE LOCATED ON A READILY VISIBLE LOCATION IN ACCORDANCE WITH SECTION 1710.8.3 OF FLORIDA BUILDING CODE. LABELING TO COMPLY WITH SECTION 1710.8.2.



TYPICAL ELEVATION

INSULATING GLASS
NON IMPACT

FL #19037

Professional Engineer Seal: JAVAD AHMAD, LICENSE No. 70592, STATE OF FLORIDA.

- A- THIS PRODUCT EVALUATION DOCUMENT (P.E.D.) PREPARED BY THIS ENGINEER IS GENERIC AND DOES NOT PROVIDE INFORMATION FOR A SITE SPECIFIC PROJECT; i.e. WHERE THE SITE CONDITIONS DEVIATE FROM THE P.E.D.
- B- CONTRACTOR TO BE RESPONSIBLE FOR THE SELECTION, PURCHASE AND INSTALLATION OF THIS PRODUCT BASED ON THIS PRODUCT EVALUATION PROVIDED HE/SHE DOES NOT DEVIATE FROM THE CONDITIONS DETAILED ON THIS DOCUMENT.
- C- THIS PRODUCT EVALUATION DOCUMENT WILL BE CONSIDERED INVALID IF ALTERED BY ANY MEANS.
- D- SITE SPECIFIC PROJECTS SHALL BE PREPARED BY A FLORIDA REGISTERED ENGINEER OR ARCHITECT WHICH WILL BECOME THE ENGINEER OF RECORD (E.O.R.) FOR THE PROJECT AND WHO WILL BE RESPONSIBLE FOR THE PROPER USE OF THE P.E.D. ENGINEER OF RECORD, ACTING AS A DELEGATED ENGINEER TO THE P.E.D. ENGINEER SHALL SUBMIT TO THIS LATTER THE SITE SPECIFIC DRAWINGS FOR REVIEW.
- E- THIS P.E.D. SHALL BEAR THE DATE AND ORIGINAL SEAL AND SIGNATURE OF THE PROFESSIONAL ENGINEER OF RECORD THAT PREPARED IT.

a f c
AL-FAROOQ CORPORATION
 ENGINEERS & PRODUCT DEVELOPMENT
 1235 S.W. 87 AVE
 MIAMI, FLORIDA 33174
 TEL. (305) 264-8100 FAX. (305) 262-6978
 COMP-ANL\W15-65AWP

SERIES 10000 PVC SINGLE HUNG TILT WDW. (N.I.)
AWP WINDOWS AND DOORS, LLC
 8130 N.W. 74TH AVE.
 MEDLEY, FL. 33166
 TEL. (305) 887-2646 FAX (305) 883-1309

no	date	description

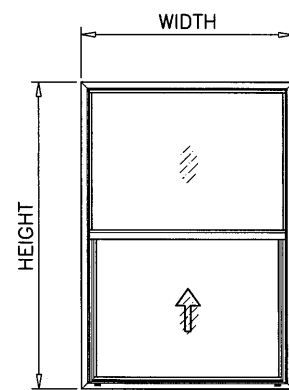
date: 10-06-15
 scale: 1/2"=1'-0"
 dr. by: HAMID
 chk. by:

drawing no.
W15-65

sheet 1 of 8

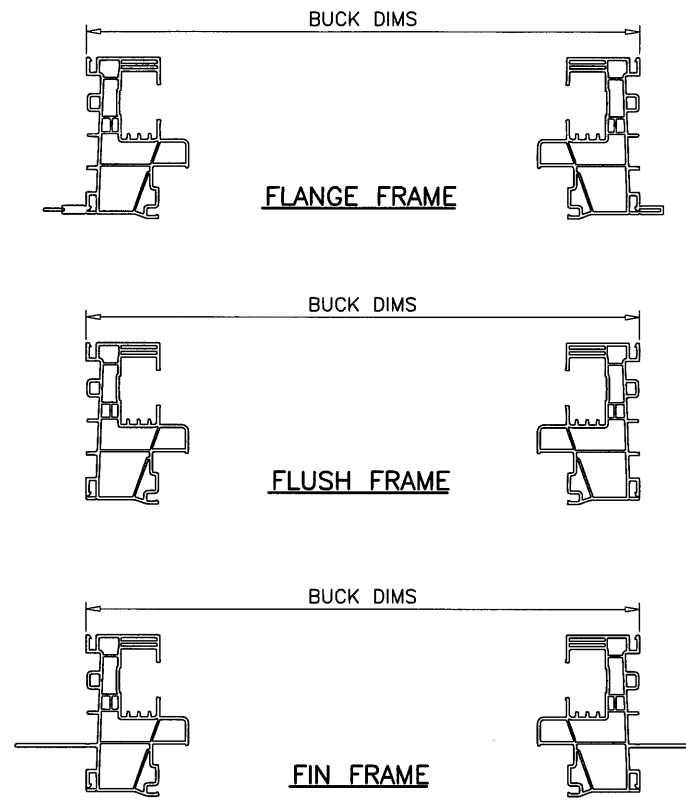
EQUAL LITES WINDOWS FLANGE AND FLUSH FRAMES			
DESIGN LOAD CAPACITY - PSF			
BUCK DIMS.		7/8" OVERALL INSUL. GLASS	
WIDTH	HEIGHT	EXT.(+)	INT.(-)
18-1/8"	25" (4)	65.0	125.0
25-1/2"		65.0	125.0
31"		65.0	125.0
36"		65.0	125.0
41"		65.0	125.0
47"		65.0	125.0
52-1/8"		65.0	113.2
18-1/8"	37-3/8" (4)	65.0	125.0
25-1/2"		65.0	125.0
31"		65.0	125.0
36"		65.0	109.6
41"		65.0	96.2
47"		65.0	83.9
52-1/8"	65.0	75.7	
18-1/8"	49-5/8" (6)	65.0	125.0
25-1/2"		65.0	125.0
31"		65.0	125.0
36"		65.0	123.8
41"		65.0	108.7
47"		65.0	94.1
52-1/8"	65.0	80.9	
18-1/8"	62" (6)	65.0	125.0
25-1/2"		65.0	125.0
31"		65.0	115.1
36"		65.0	99.1
41"		65.0	87.0
47"		65.0	75.9
52-1/8"	65.0	68.4	
18-1/8"	75-3/4" (8)	65.0	125.0
25-1/2"		65.0	125.0
31"		65.0	111.1
36"		65.0	96.0
41"		65.0	85.3
47"		65.0	75.8
52-1/8"	64.5	64.5	

NO. IN PARENTHESIS INDICATE NUMBER OF ANCHORS PER JAMB.



EQUAL LITES

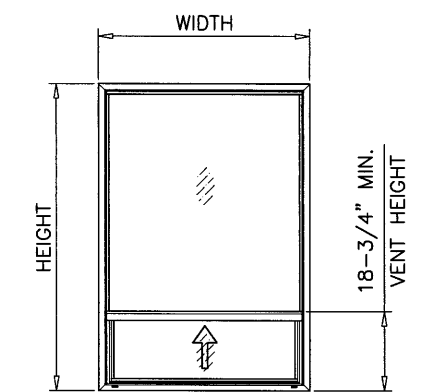
EQUAL LITES WINDOWS FIN FRAME			
DESIGN LOAD CAPACITY - PSF			
BUCK DIMS.		7/8" OVERALL INSUL. GLASS	
WIDTH	HEIGHT	EXT.(+)	INT.(-)
18-1/8"	25" (2)	65.0	125.0
25-1/2"		65.0	125.0
31"		65.0	125.0
36"		65.0	125.0
41"		65.0	125.0
47"		65.0	125.0
52-1/8"		65.0	125.0
18-1/8"	37-3/8" (4)	65.0	125.0
25-1/2"		65.0	125.0
31"		65.0	125.0
36"		65.0	125.0
41"		65.0	125.0
47"		65.0	116.1
52-1/8"	65.0	102.2	
18-1/8"	49-5/8" (4)	65.0	125.0
25-1/2"		65.0	125.0
31"		65.0	125.0
36"		65.0	125.0
41"		65.0	115.2
47"		65.0	95.2
52-1/8"	65.0	82.9	
18-1/8"	62" (4)	65.0	125.0
25-1/2"		65.0	125.0
31"		65.0	125.0
36"		65.0	116.6
41"		65.0	102.0
47"		65.0	83.7
52-1/8"	65.0	72.0	
18-1/8"	75-3/4" (6)	65.0	125.0
25-1/2"		65.0	125.0
31"		65.0	111.1
36"		65.0	96.0
41"		65.0	85.3
47"		65.0	75.8
52-1/8"	65.0	65.0	



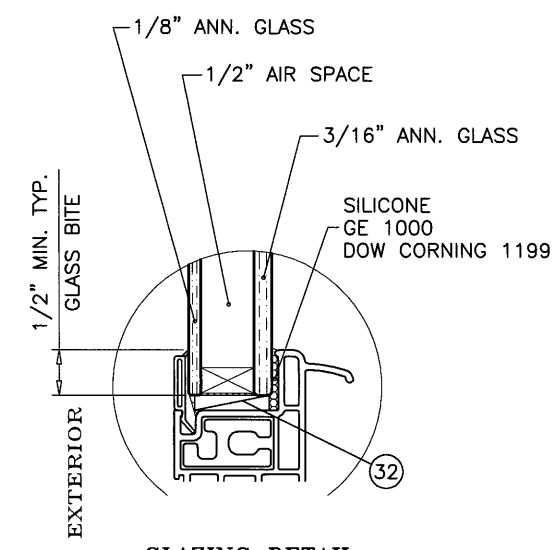
UNEQUAL LITES WINDOWS FLANGE AND FLUSH FRAMES			
DESIGN LOAD CAPACITY - PSF			
BUCK DIMS.		7/8" OVERALL INSUL. GLASS	
WIDTH	HEIGHT	EXT.(+)	INT.(-)
18-1/8"	49-5/8" (6)	65.0	125.0
25-1/2"		65.0	125.0
31"		65.0	125.0
36"		65.0	117.2
41"		65.0	102.2
47"		65.0	86.3
52-1/8"		65.0	74.9
18-1/8"	62" (6)	65.0	125.0
25-1/2"		65.0	112.4
31"		65.0	95.4
36"		65.0	85.5
41"		65.0	76.0
18-1/8"	75-1/4" (8)	65.0	125.0
25-1/2"		65.0	84.1
31"		65.0	66.2

NO. IN PARENTHESIS INDICATE NUMBER OF ANCHORS PER JAMB.

UNEQUAL LITES WINDOWS FIN FRAME			
DESIGN LOAD CAPACITY - PSF			
BUCK DIMS.		7/8" OVERALL INSUL. GLASS	
WIDTH	HEIGHT	EXT.(+)	INT.(-)
18-1/8"	49-5/8" (4)	65.0	125.0
25-1/2"		65.0	125.0
31"		65.0	125.0
36"		65.0	117.2
41"		65.0	102.2
47"		65.0	86.3
52-1/8"		65.0	74.9
18-1/8"	62" (4)	65.0	125.0
25-1/2"		65.0	112.4
31"		65.0	95.4
36"		65.0	85.5
41"		65.0	76.0
18-1/8"	75-1/4" (6)	65.0	125.0
25-1/2"		65.0	84.1
31"		65.0	66.2

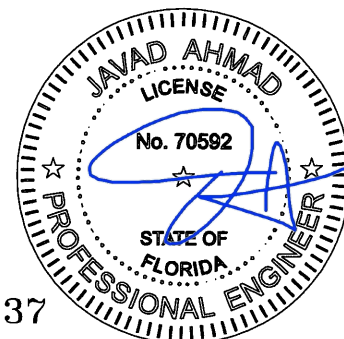


UNEQUAL LITES (ORIEL TYPE)



GLAZING DETAIL

NOTE:
GLASS CAPACITIES ON THIS SHEET ARE
BASED ON ASTM E1300-09 (3 SEC. GUSTS)
AND FLORIDA BUILDING COMMISSION
DECLARATORY STATEMENT DCA05-DEC-219



FL #19037

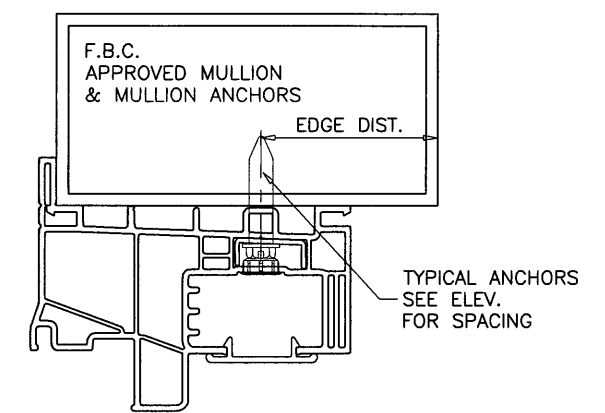
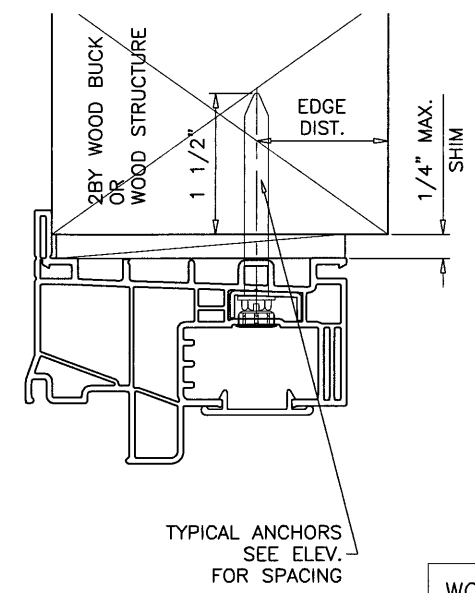
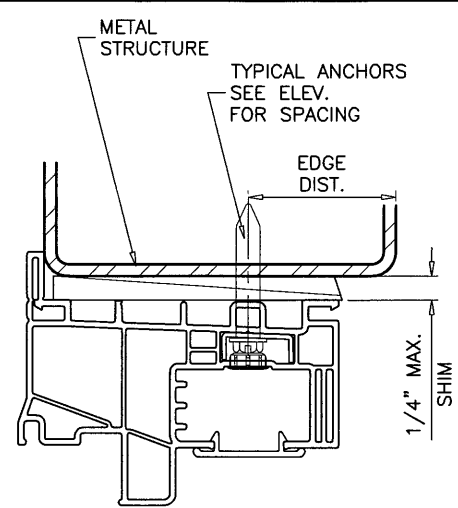
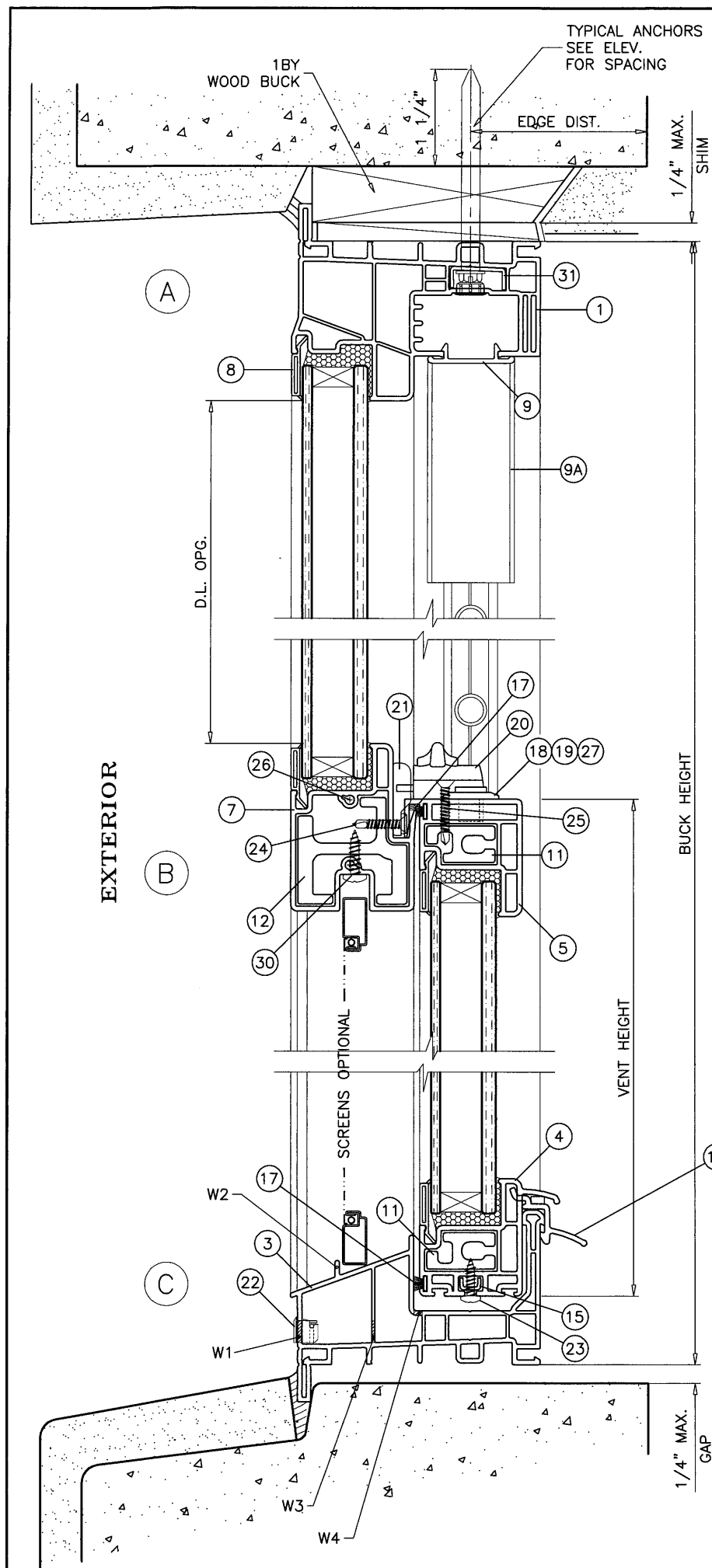
afc
AL-FAROOQ CORPORATION
ENGINEERS & PRODUCT DEVELOPMENT
1235 S.W. 87 AVE
MIAMI, FLORIDA 33174
TEL. (305) 264-8100 FAX (305) 262-6978
COMP-ANL W15-65AWP

SERIES 10000 PVC SINGLE HUNG TILT WDW. (N.I.)
AWP WINDOWS AND DOORS, LLC
8130 N.W. 74TH AVE.
MEDLEY, FL. 33166
TEL. (305) 887-2646 FAX (305) 883-1309

revisions:	no	date	by	description

date: 10-05-15	scale: 1/2" = 1'-0"	dr. by: HAMID	chk. by:
----------------	---------------------	---------------	----------

drawing no. W15-65	sheet 2 of 8
------------------------------	--------------



WOOD BUCKS AND METAL STRUCTURE NOT BY AWP WINDOWS MUST SUSTAIN LOADS IMPOSED BY GLAZING SYSTEM AND TRANSFER THEM TO THE BUILDING STRUCTURE.

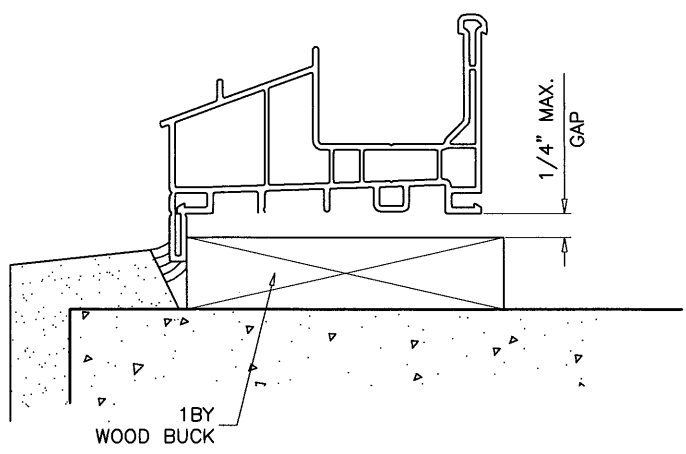
SEALANTS:

FRAME, VENT CORNERS AND FIX. RAIL ENDS SEALED WITH WHITE/ALUMINUM COLORED SEALANT.

WEEPHOLES:

- W1 = 1-9/16" X 5/16" WEEP HOLES AT 4-3/8" FROM EACH END WITH PLASTIC Baffle
- W2 = 5/8" WEEP NOTCH AT EACH END
- W3 = 3/8" X 1/4" WEEP HOLES AT EACH END
- W4 = 1" X 1/8" WEEP HOLES AT 3-3/4" FROM EACH END

SPRING LOADED LATCH
OPTIONAL TO
SWEEP LATCHES
AT MTG. RAIL



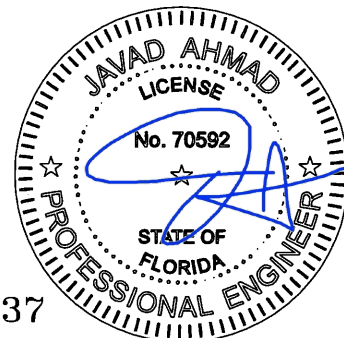
TYPICAL ANCHORS: SEE ELEV. FOR SPACING

- 1/4" DIA. TAPCON BY 'ITW' (Fu=125 KSI, Fy=100 KSI)
- 1/4" DIA. ULTRACON BY 'ELCO' (Fu=177 KSI, Fy=155 KSI)
- INTO 2BY WOOD BUCKS OR WOOD STRUCTURES
- 1-1/2" MIN. PENETRATION INTO WOOD (HEAD/JAMBS)
- THRU 1BY BUCKS INTO CONC. OR MASONRY
- 1-1/4" MIN. EMBED INTO CONCRETE (HEAD)
- 1-1/4" MIN. EMBED INTO CONC. OR MASONRY (JAMBS)
- DIRECTLY INTO CONC. OR MASONRY
- 1-1/4" MIN. EMBED INTO CONCRETE (HEAD)
- 1-1/4" MIN. EMBED INTO CONC. OR MASONRY (JAMBS)

- #12 SMS OR SELF DRILLING SCREWS (GRADE 2 CRS)
- INTO F.B.C. APPROVED MULLIONS (MIN. THK. = 1/8")
- INTO METAL STRUCTURES
- STEEL : 1/8" THK. MIN. (Fy = 36 KSI MIN.)
- ALUMINUM : 1/8" THK. MIN. (6063-T5 MIN.)
- (STEEL IN CONTACT WITH ALUMINUM TO BE PLATED OR PAINTED)

TYPICAL EDGE DISTANCE

- INTO CONCRETE AND MASONRY = 2" MIN.
- INTO WOOD STRUCTURE = 1" MIN.
- INTO METAL STRUCTURE = 3/4" MIN.
- WOOD AT HEAD, SILL OR JAMBS SG = 0.55 MIN.
- CONCRETE AT HEAD, SILL OR JAMBS f'c = 3000 PSI MIN.
- C-90 GROUT FILLED BLOCK AT JAMBS f'm = 2000 PSI MIN.



FL #19037

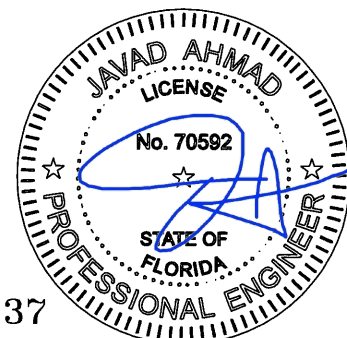
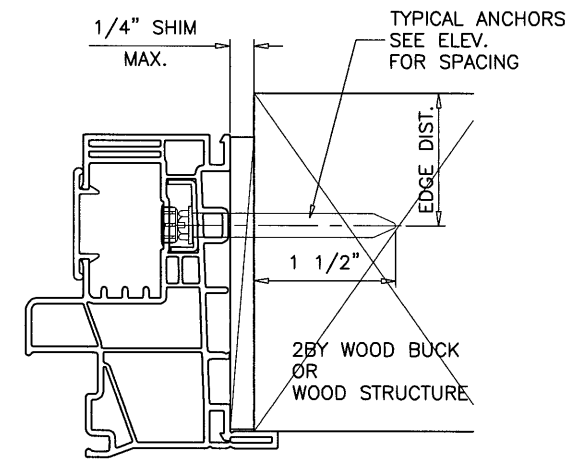
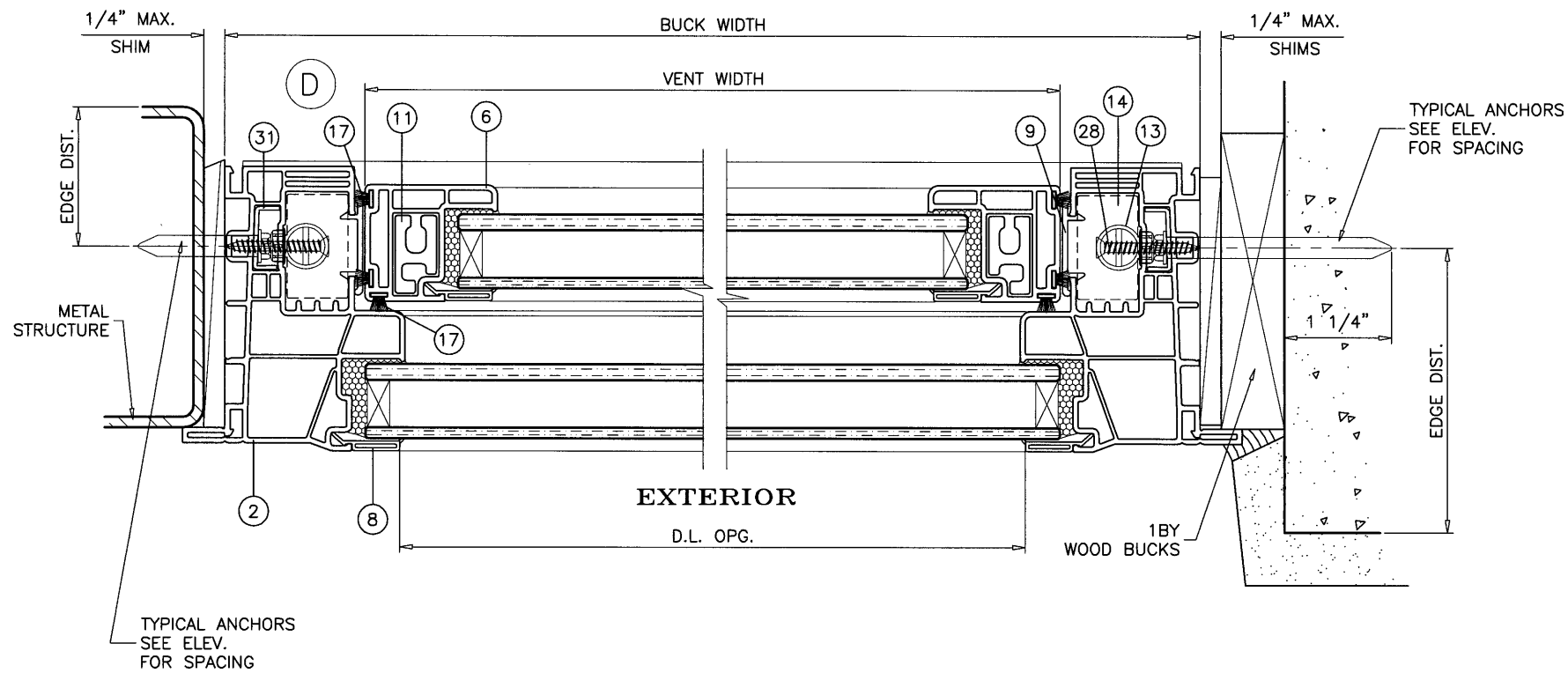
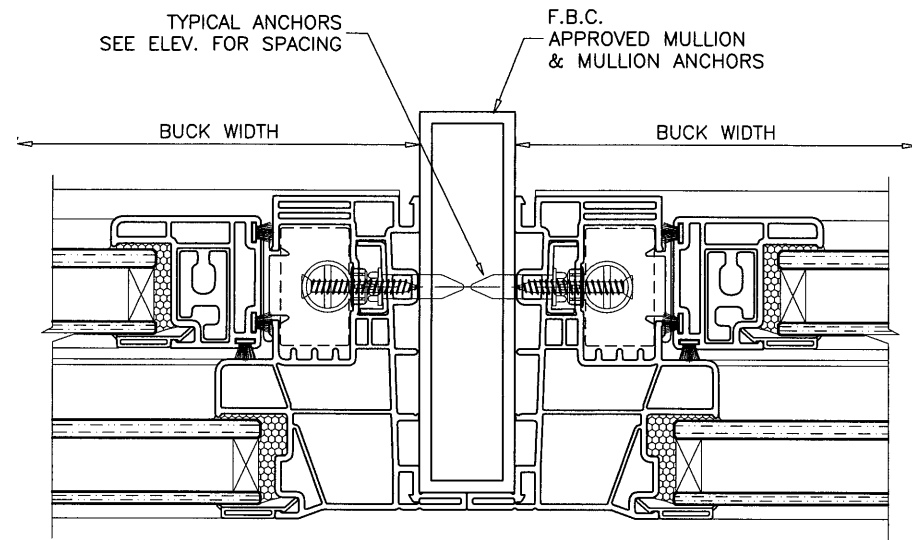
af c
AL-FAROOQ CORPORATION
 ENGINEERS & PRODUCT DEVELOPMENT
 1235 S.W. 87 AVE
 MIAMI, FLORIDA 33174
 TEL. (305) 264-8100 FAX. (305) 262-6978
 COMP-ANL\W15-65AWP

SERIES 10000 PVC SINGLE HUNG TILT WDW. (N.I.)
AWP WINDOWS AND DOORS, LLC
 8130 N.W. 74TH AVE.
 MEDLEY, FL. 33166
 TEL. (305) 887-2646 FAX (305) 883-1309

no	date	by description

date: 10-05-15	scale: 1/2" = 1"
dr. by: HAMID	chk. by:

drawing no.
W15-65
 sheet 3 of 8



FL #19037

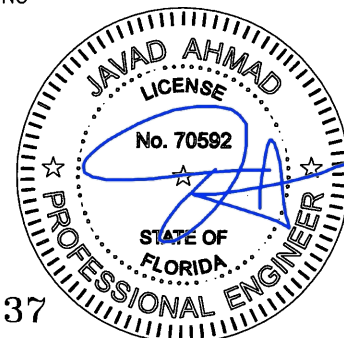
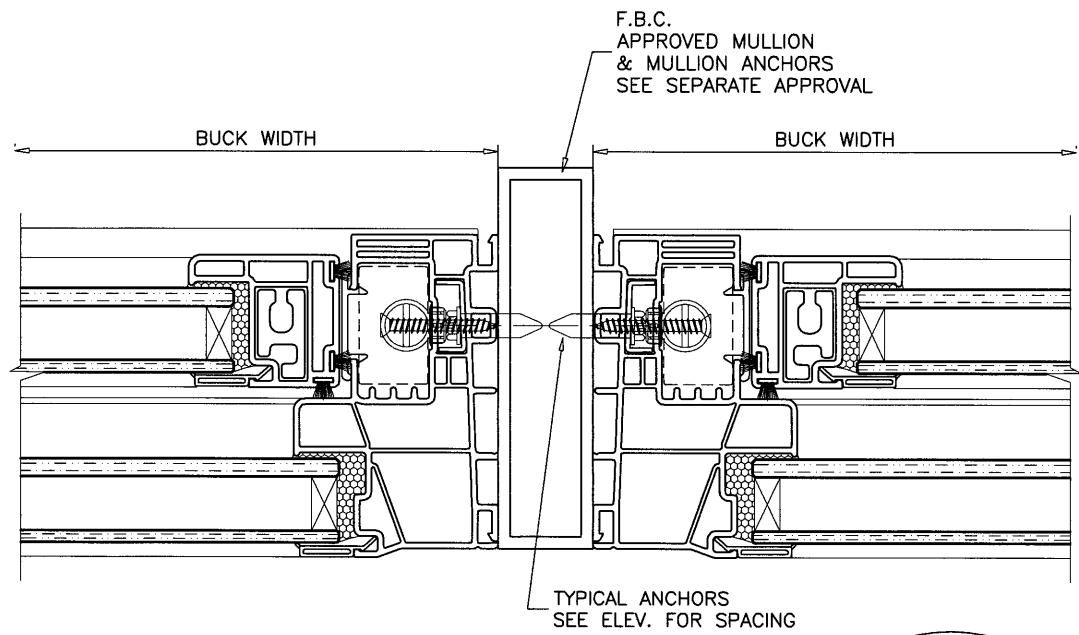
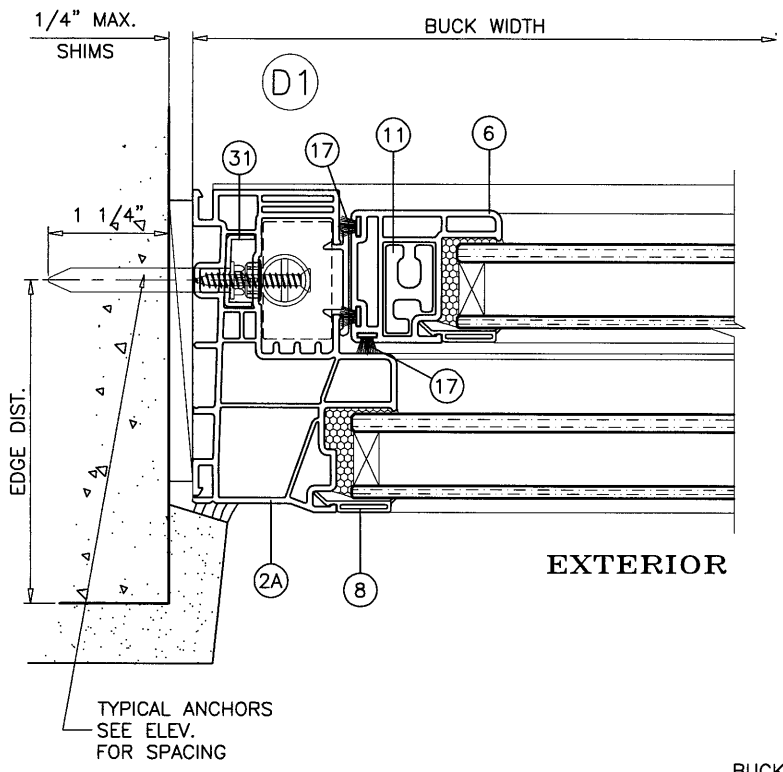
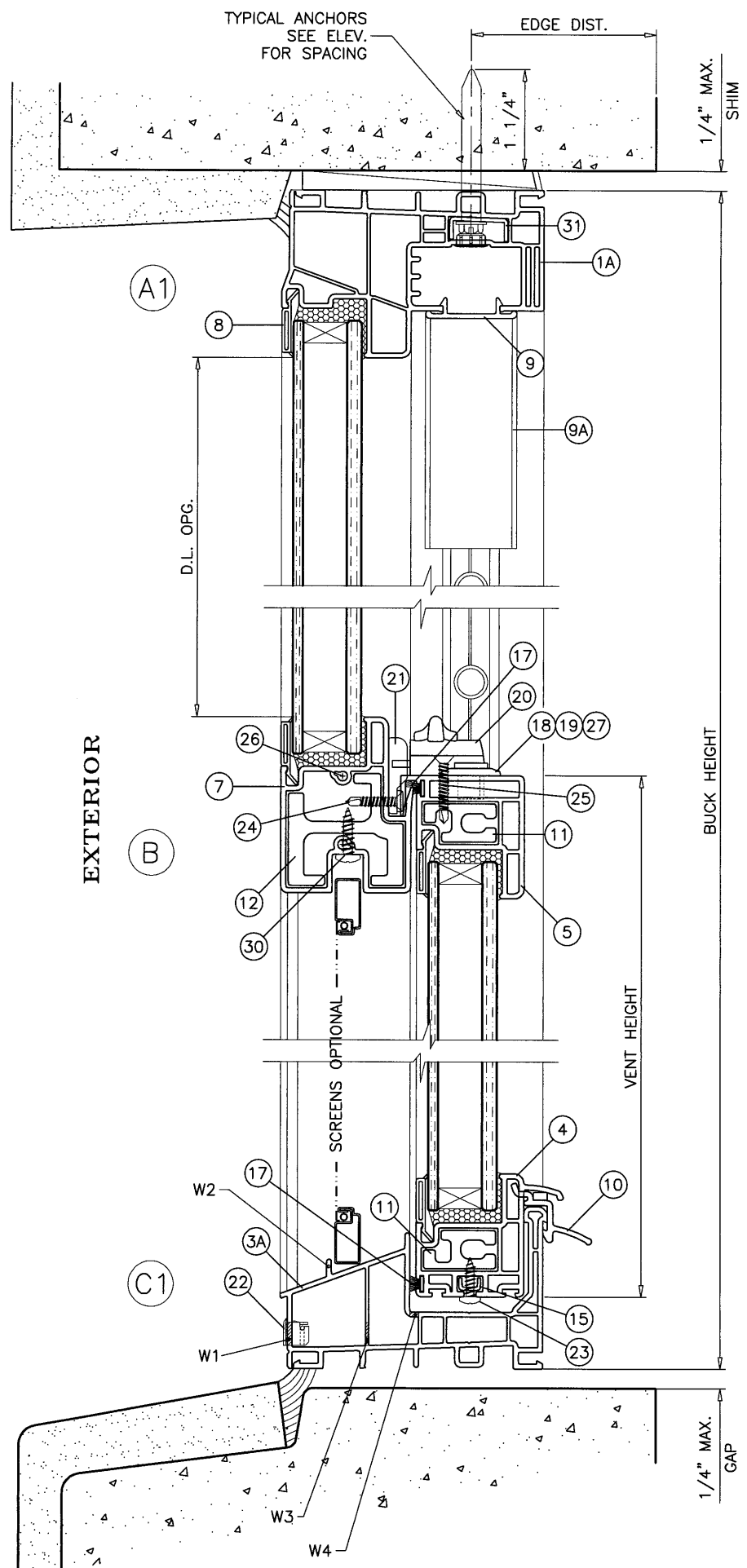
afc
AL-FAROOQ CORPORATION
 ENGINEERS & PRODUCT DEVELOPMENT
 1235 S.W. 87 AVE
 MIAMI, FLORIDA 33174
 TEL. (305) 264-8100 FAX. (305) 262-6978
 COMP-ANL\W15-65AMP

SERIES 10000 PVC SINGLE HUNG TILT WDW. (N.I.)
AWP WINDOWS AND DOORS, LLC
 8130 N.W. 74TH AVE.
 MEDLEY, FL. 33166
 TEL. (305) 887-2646 FAX (305) 883-1309

no	date	by	description

date: 10-05-15
 scale: 1/2" = 1"
 dr. by: HAMID
 chk. by:

drawing no.
W15-65
 sheet 4 of 8



FL #19037

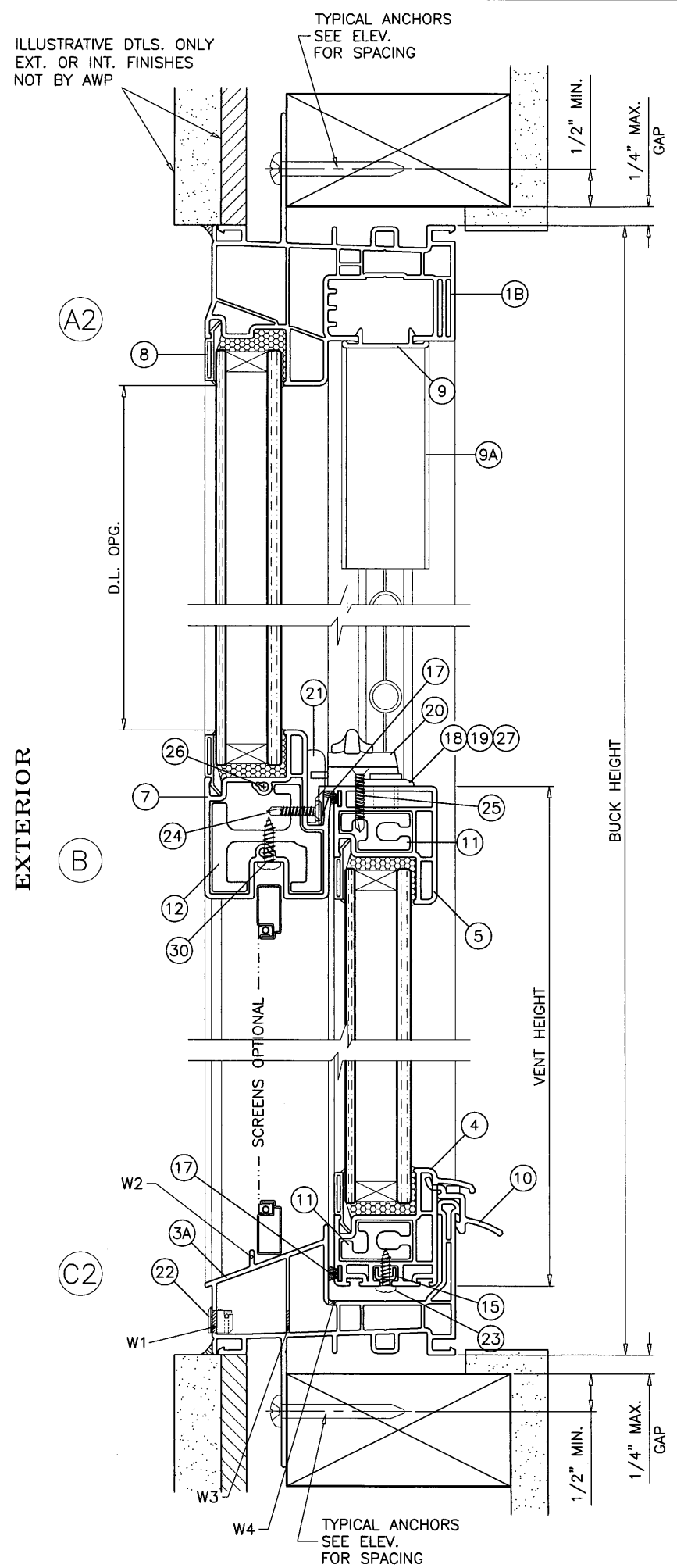
afc
AL-FAROOQ CORPORATION
 ENGINEERS & PRODUCT DEVELOPMENT
 1235 S.W. 87 AVE
 MIAMI, FLORIDA 33174
 TEL. (305) 264-8100 FAX. (305) 262-6978
 COMP-ANL W15-65AWP

SERIES 10000 PVC SINGLE HUNG TILT WDW. (N.I.)
AWP WINDOWS AND DOORS, LLC
 8130 N.W. 74TH AVE.
 MEDLEY, FL. 33166
 TEL. (305) 887-2646 FAX (305) 883-1309

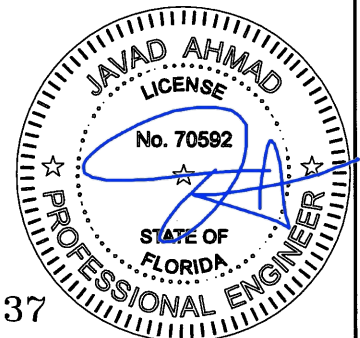
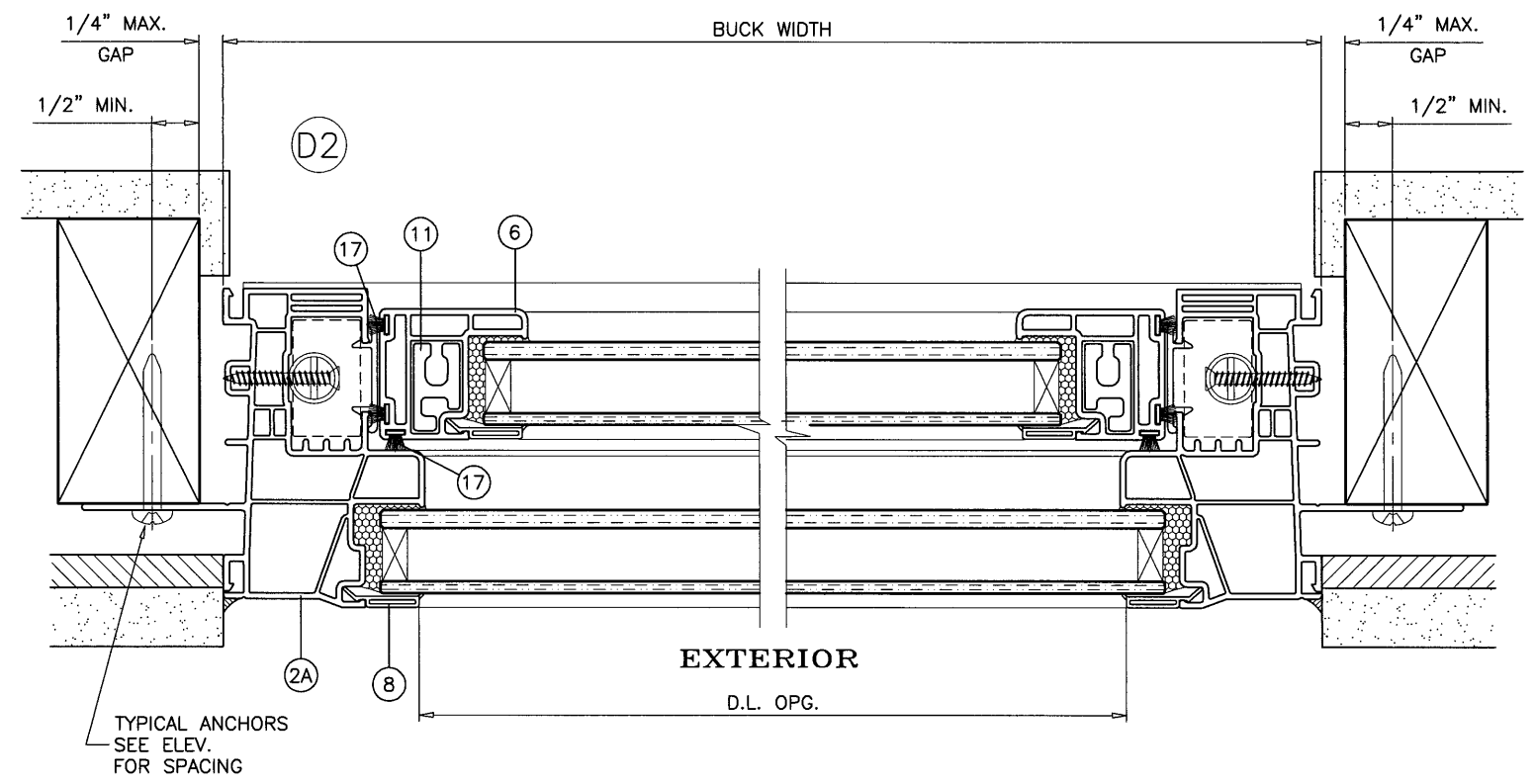
no	date	by	description

date: 10-05-15
 scale: 1/2" = 1"
 dr. by: HAMID
 chk. by:

drawing no.
W15-65
 sheet 5 of 8



TYPICAL ANCHORS: SEE ELEV. FOR SPACING
#12 SMS (GRADE 2 CRS)
 INTO 2BY WOOD BUCKS OR WOOD STRUCTURES
 1-1/2" MIN. PENETRATION INTO WOOD



FL #19037

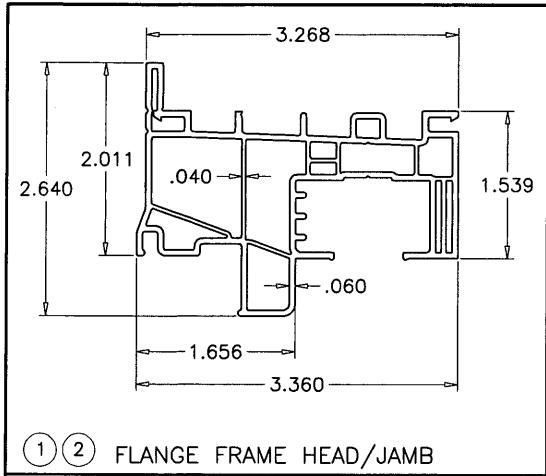
af c
AL-FAROOQ CORPORATION
 ENGINEERS & PRODUCT DEVELOPMENT
 1235 S.W. 87 AVE
 MIAMI, FLORIDA 33174
 TEL. (305) 264-8100 FAX. (305) 262-6978
 COMP-ANL\W15-65AWP

SERIES 10000 PVC SINGLE HUNG TILT WDW. (N.I.)
AWP WINDOWS AND DOORS, LLC
 8130 N.W. 74TH AVE.
 MEDLEY, FL. 33166
 TEL. (305) 887-2646 FAX (305) 883-1309

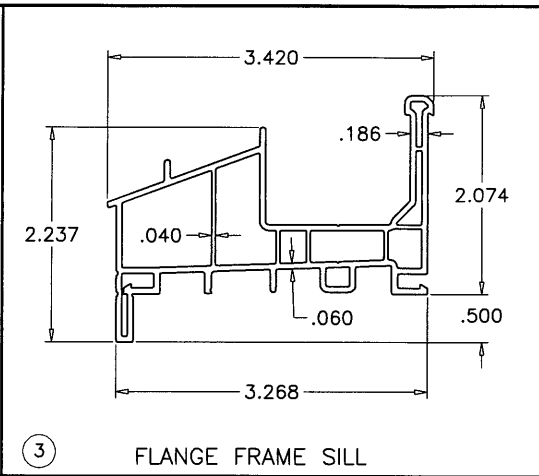
no	date	by	description

date: 10-05-15
 scale: 1/2" = 1"
 dr. by: HAMID
 chk. by:

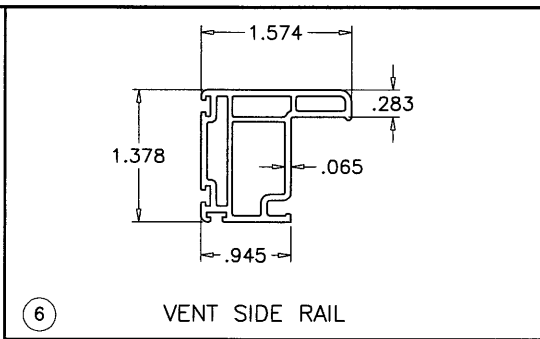
drawing no.
W15-65
 sheet 6 of 8



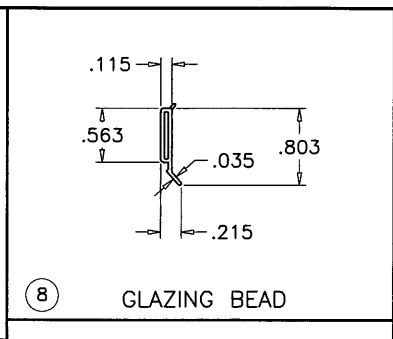
① ② FLANGE FRAME HEAD/JAMB



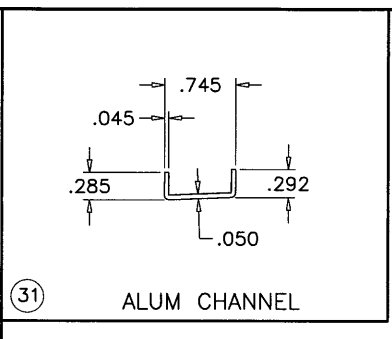
③ FLANGE FRAME SILL



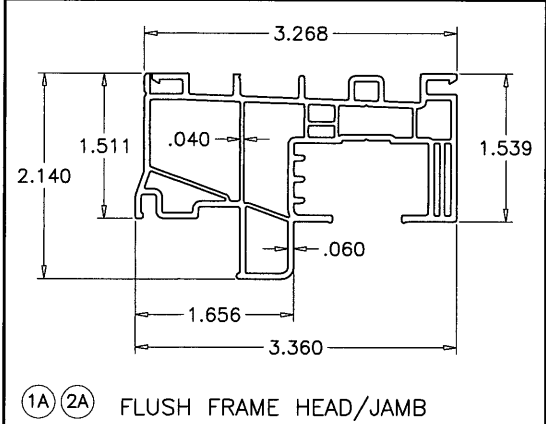
⑥ VENT SIDE RAIL



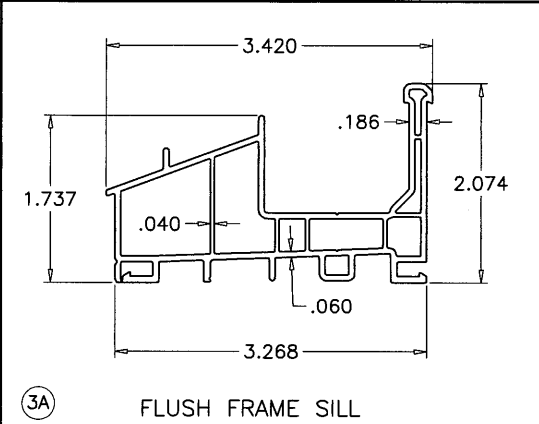
⑧ GLAZING BEAD



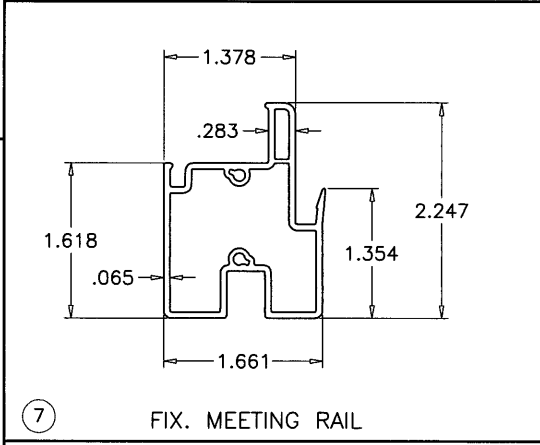
③① ALUM CHANNEL



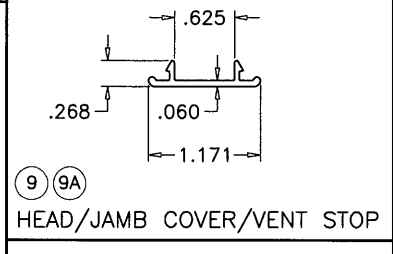
①A ②A FLUSH FRAME HEAD/JAMB



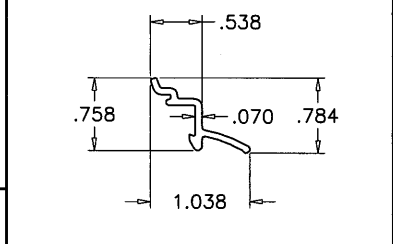
③A FLUSH FRAME SILL



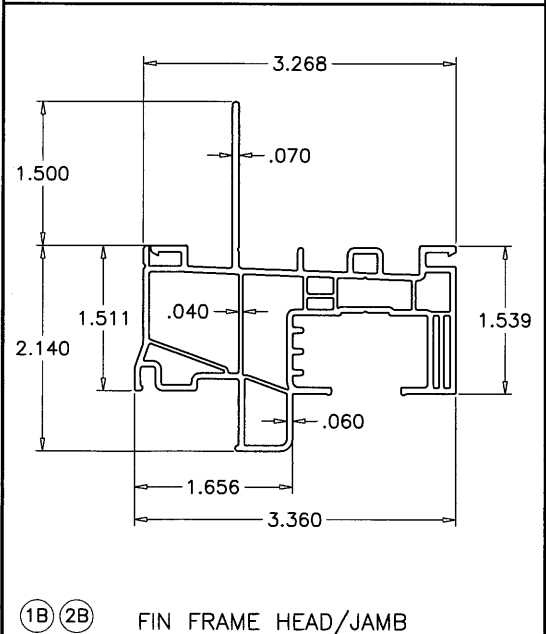
⑦ FIX. MEETING RAIL



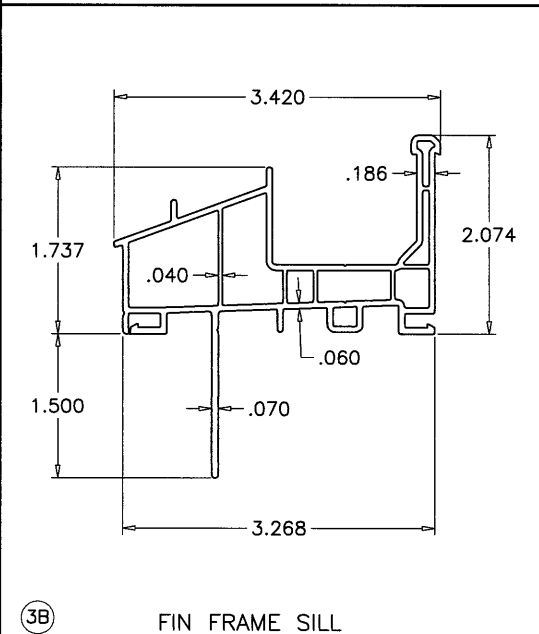
⑨ ⑨A HEAD/JAMB COVER/VENT STOP



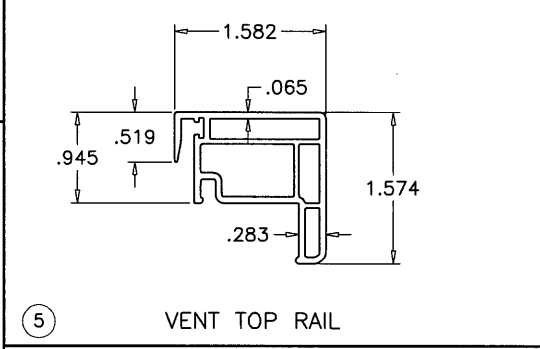
⑩ LATCH LOCK



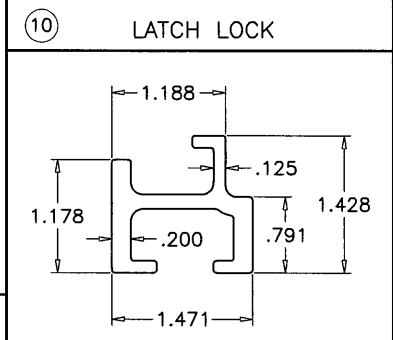
①B ②B FIN FRAME HEAD/JAMB



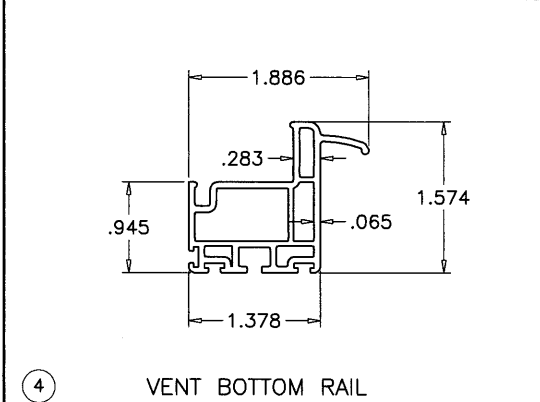
③B FIN FRAME SILL



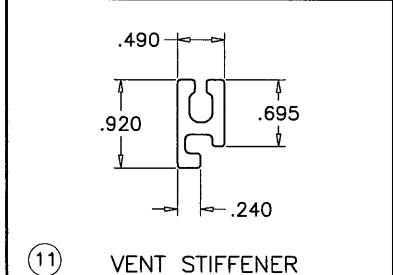
⑤ VENT TOP RAIL



⑫ FIX. MTG. RAIL STIFFENER



④ VENT BOTTOM RAIL



⑪ VENT STIFFENER

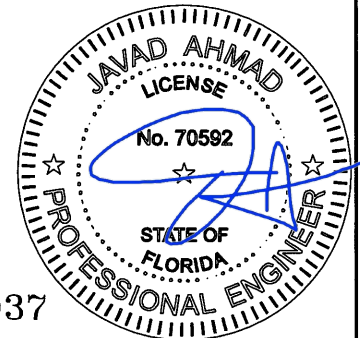
afc
AL-FAROOQ CORPORATION
 ENGINEERS & PRODUCT DEVELOPMENT
 1235 S.W. 87 AVE
 MIAMI, FLORIDA 33174
 TEL. (305) 264-8100 FAX. (305) 262-6978
 COMP-ANL\W15-65AMP

SERIES 10000 PVC SINGLE HUNG TILT WDW. (N.I.)
AWP WINDOWS AND DOORS, LLC
 8130 N.W. 74TH AVE.
 MEDLEY, FL. 33166
 TEL. (305) 887-2646 FAX (305) 883-1309

no	date	by	description

date: 10-05-15
 scale: 1/2" = 1"
 dr. by: HAMID
 chk. by:

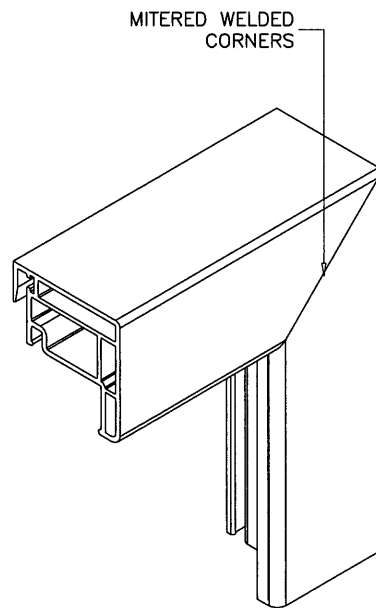
drawing no.
W15-65
 sheet 7 of 8



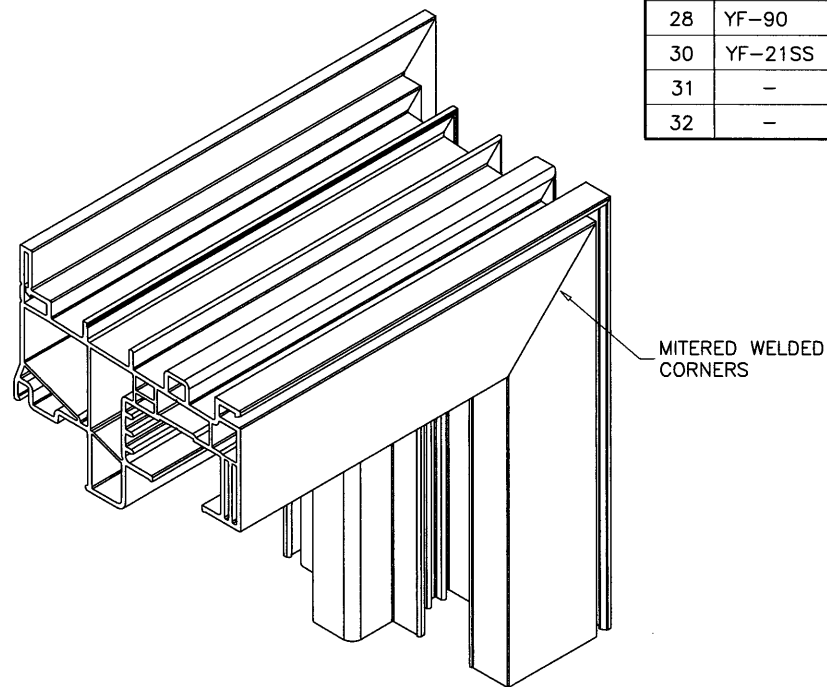
FL #19037

ITEM	PART #	QUANTITY	DESCRIPTION	MATERIAL	MANF./SUPPLIER/REMARKS
1	YV-10001	1	FLANGE FRAME HEAD	PVC	QUANEX BUILDING PRODUCTS INC.
1A	YV-10001	1	FLUSH FRAME HEAD	PVC	QUANEX BUILDING PRODUCTS INC.
1B	YV-10001	1	FIN FRAME HEAD	PVC	QUANEX BUILDING PRODUCTS INC.
2	YV-10001	2	FLANGE FRAME JAMB	PVC	QUANEX BUILDING PRODUCTS INC.
2A	YV-10001	2	FLUSH FRAME JAMB	PVC	QUANEX BUILDING PRODUCTS INC.
2B	YV-10001	2	FIN FRAME JAMB	PVC	QUANEX BUILDING PRODUCTS INC.
3	YV-10002	1	FLANGE FRAME SILL	PVC	QUANEX BUILDING PRODUCTS INC.
3A	YV-10002	1	FLUSH FRAME SILL	PVC	QUANEX BUILDING PRODUCTS INC.
3B	YV-10002	1	FIN FRAME SILL	PVC	QUANEX BUILDING PRODUCTS INC.
4	YV-10003	1	VENT BOTTOM RAIL	PVC	QUANEX BUILDING PRODUCTS INC.
5	YV-10004	1	VENT INTERLOCK STILE	PVC	QUANEX BUILDING PRODUCTS INC.
6	YV-10005	2	VENT SIDE STILE	PVC	QUANEX BUILDING PRODUCTS INC.
7	YV-10006	1	FIXED INTERLOCK	PVC	QUANEX BUILDING PRODUCTS INC.
8	YV-10007	8	GLAZING BEAD	PVC	QUANEX BUILDING PRODUCTS INC.
9	YV-10008	3	HEAD/JAMB COVER	PVC	QUANEX BUILDING PRODUCTS INC.
9A	YV-10008	2	VENT STOP (3" LONG)	PVC	QUANEX BUILDING PRODUCTS INC.
10	YV-10009	1	VENT BOTTOM LATCH LOCK AT MIDSPAN OF BOT. RAIL	PVC	QUANEX BUILDING PRODUCTS INC.
11	YE-1104	4/VENT	VENT REINFORCEMENT	6063-T6	-
12	YE-1103	1/EACH	FIXED INTERLOCK REINFORCEMENT	6063-T6	-
13	-	2/VENT	"ULTRA-LIFT" BALANCE	-	"CALDWELL"
14	YH-5010	2/VENT	BALANCE CARRIER ASSY. (MOD. 16H101)	-	"CALDWELL"
15	YH-524SS	2/VENT	PIVOT BAR (MOD. 0614523-SS) AT EACH END OF BOT. RAIL	S. STEEL	ADEPT
16	YH-1316	AS REQ'D.	Ø 3/8" HOLE PLUG (MOD. C-13856)	NYLON	ASHLAND
17	YH-4026	AS REQ'D.	.187" x .270" FIN SEAL PILE WITH PLASTIC FIN W'STRIP	-	"ULTRAFAB"
18	YH-590RH	1/VENT	TILT LATCH (MOD. 46.13.32.101 RIGHT) AT END OF TOP RAIL	-	"TRUTH"
19	YH-590LH	1/VENT	TILT LATCH (MOD. 46.13.32.102 LEFT) AT END OF TOP RAIL	-	"TRUTH"
20	YH-595	2/VENT	SWEEP LOCK (MOD. 677208) AT 6" FROM EACH END	-	"DECO"
21	YH-597	2/VENT	FACE MOUNT KEEPER (MOD. 677133) AT LOCK LOCATIONS	-	"DECO"
22	YH-1610	2	WEEP HOLE COVER	-	"ASHLAND"
23	YF-81	2/BAR	#6 x 1/2" P.H. PH.DR. PIVOT BAR SCREW	CAD PLATED CRS.	-
24	YF-82	2/KEEPER	#6 x 3/4" F.H. TEK. SQ.DR. KEEPER SCREW	CAD PLATED CRS.	-
25	YF-83	2/LOCK	#8 x 7/8" F.H. TEK. PH.DR. SWEEP LOCK SCREW	CAD PLATED CRS.	-
26	YF-78SH	4	#8 x 2-1/2" P.H. SS. SQ.DR. FIXED MTG. RAIL SCREW	S. STEEL	(2) AT EACH END
27	YF-85	1/LATCH	#6 x 1/2" F.H. SS. SQ.DR. TILT LATCH SCREW	S. STEEL	-
28	YF-90	1/BAL.	#8 x 1-1/4" F.H. SS. PH.DR. BALANCE SCREW	S. STEEL	-
30	YF-21SS	5/VENT	#8 x 1/2" P.H. SS. PH.DR. FIXED MR. REINF. SCREW	S. STEEL	AT 4" FROM ENDS & 10-1/4" O.C.
31	-	AS REQD.	ALUM CHANNEL	6063-T6	-
32	-	AS REQD.	SETTING BLOCKS AT 1/4 POINTS	EPDM	DUROMETER 80±5 SHORE A

WHITE PVC EXTRUSIONS TO BE LABELED WITH AAMA EXTRUDER CODE, EXTRUDER NAME, CITY, STATE AND 'MDCA'.



VENT CORNERS



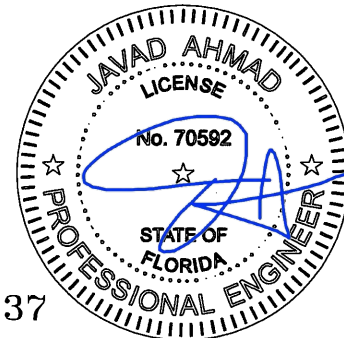
FRAME CORNERS

af c
AL-FAROOQ CORPORATION
 ENGINEERS & PRODUCT DEVELOPMENT
 1235 S.W. 87 AVE
 MIAMI, FLORIDA 33174
 TEL. (305) 264-8100 FAX. (305) 262-6978
 COMP-ANL W15-65AWP

SERIES 10000 PVC SINGLE HUNG TILT WDW. (N.I.)
AWP WINDOWS AND DOORS, LLC
 8130 N.W. 74TH AVE.
 MEDLEY, FL. 33166
 TEL. (305) 887-2646 FAX (305) 883-1309

no	date	by	description

date: 10-05-15
 scale: 1/2" = 1"
 dr. by: HAMID
 chk. by:



FL #19037

drawing no.
W15-65
 sheet 8 of 8