



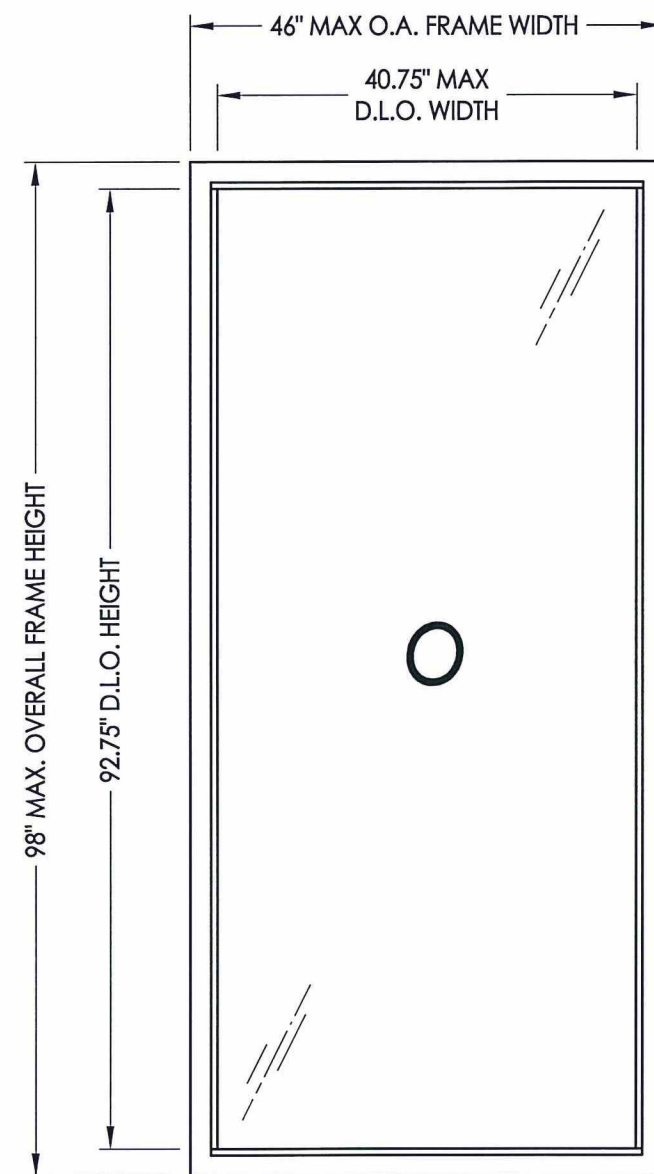
2501 Northchase Pkwy SE
Wilmington, NC 28405

Borrowed Lite Steel Frame "IMPACT"

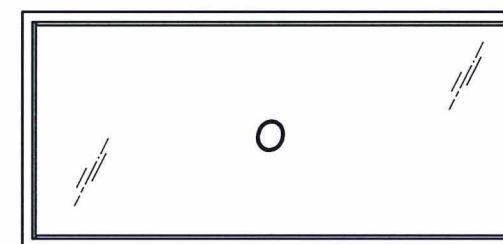
GENERAL NOTES

- This product has been evaluated and is in compliance with the 5th Edition (2014) Florida Building Code (FBC) structural requirements excluding the "High Velocity Hurricane Zone" (HVHZ).
- Product anchors shall be as listed and spaced as shown on details. Anchor embedment to base material shall be beyond wall dressing or stucco.
- When used in areas requiring wind borne debris protection, this product complies with Section 1609.1.2 of the FBC and does not require an impact resistant covering. This product meets missile level "D" and includes Wind Zone 4 as defined in ASTM E1996 and Section 1609.1.2.2 of the FBC.
- Site conditions that deviate from the details of this drawing require further engineering analysis by a licensed engineer or registered architect.

TABLE OF CONTENTS	
SHEET#	DESCRIPTION
1	Typical elevations, design pressures, & general notes
2	Horizontal and vertical cross sections
3	Horizontal cross sections
4	Anchoring details
5	Bill of materials, components and glazing detail

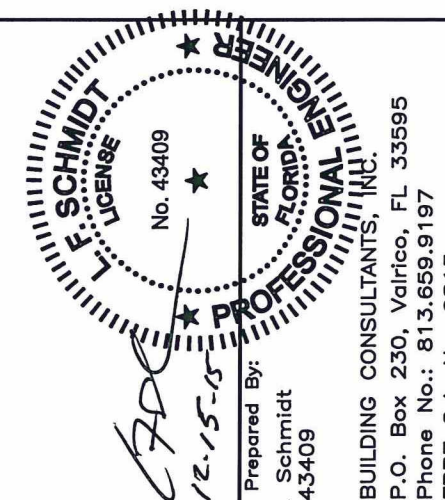


Vertical Orientation



Horizontal Orientation

MAX. OVERALL DIMENSION	MAX. D.L.O. DIMENSION	DESIGN PRESSURE (PSF)	
		POSITIVE	NEGATIVE
46.0" X 98.0"	40.75" X 92.75"	+65.0	-70.0



Documents Prepared By:
Lyndon F. Schmidt
P.E. No. 43409

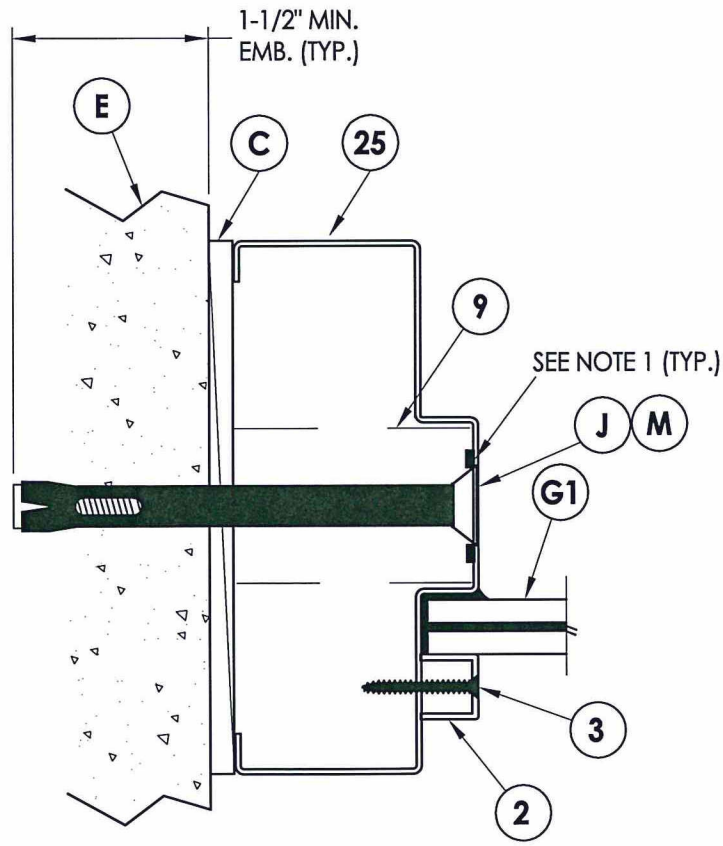
BUILDING CONSULTANTS, INC.
P.O. Box 230, Valrico, FL 33595
Phone No.: 813.659.9197
FBPE C.A. No. 9813

PRODUCT:	HMF EXPRESS
PART OR ASSEMBLY:	TYPICAL ELEVATIONS, DESIGN PRESSURES & GENERAL NOTES

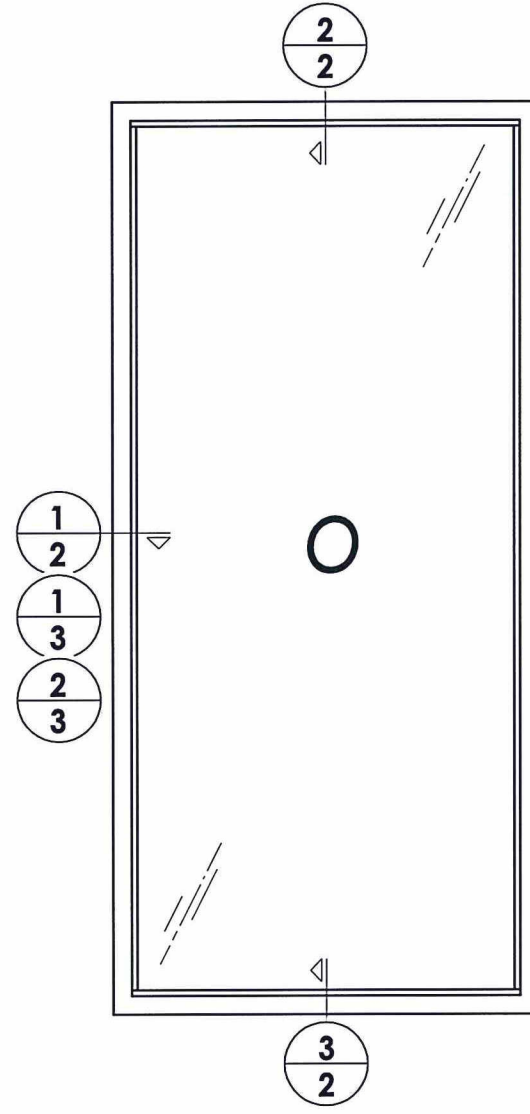
NO.	DATE	BY	REVISIONS

DATE:	12/10/15
SCALE:	N.T.S.
DWG. BY:	JK
CHK. BY:	LFS
DRAWING NO.:	FL-19312.1
SHEET	1 OF 5

NOTES:
 1. Spot weld anchor bracket to frame:
 2 welds per flange (4 total per bracket).

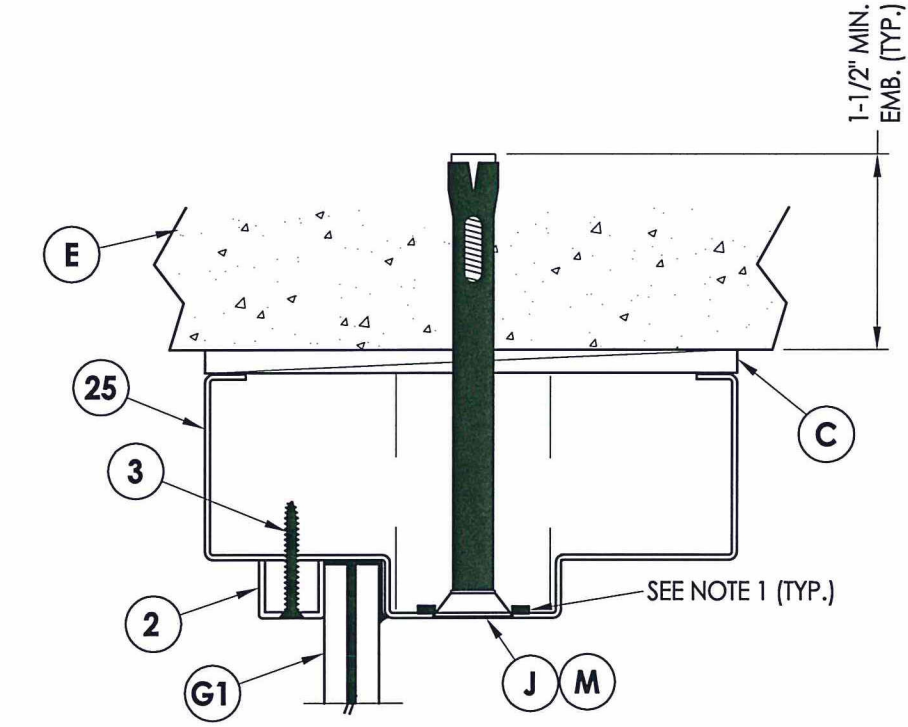


1
2 HORIZONTAL CROSS SECTION



INTERIOR

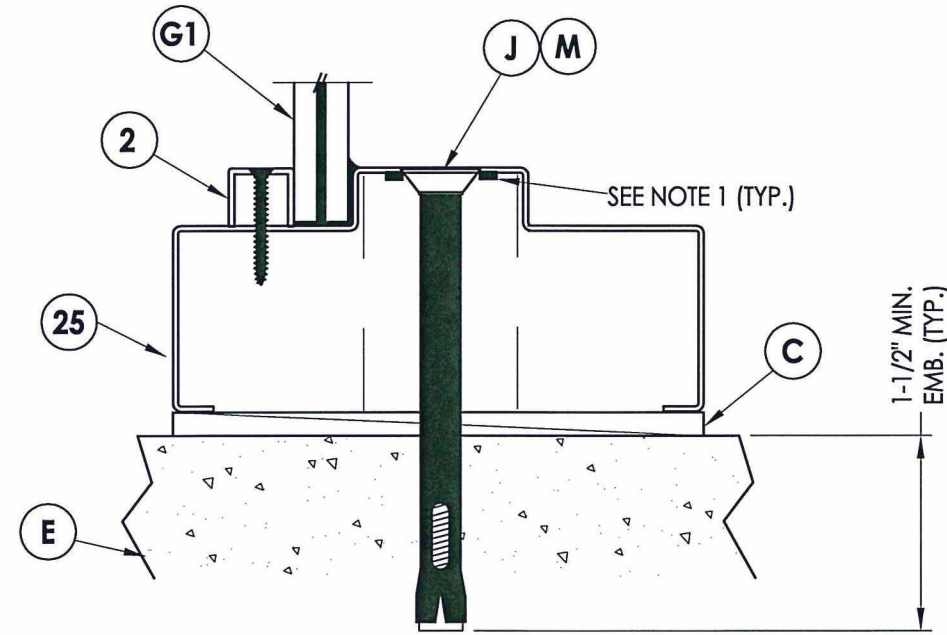
EXTERIOR



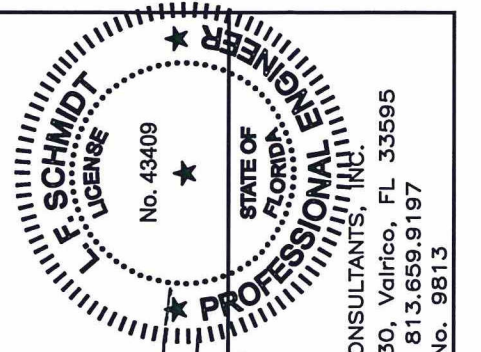
EXTERIOR

INTERIOR

2
2 VERTICAL CROSS SECTION



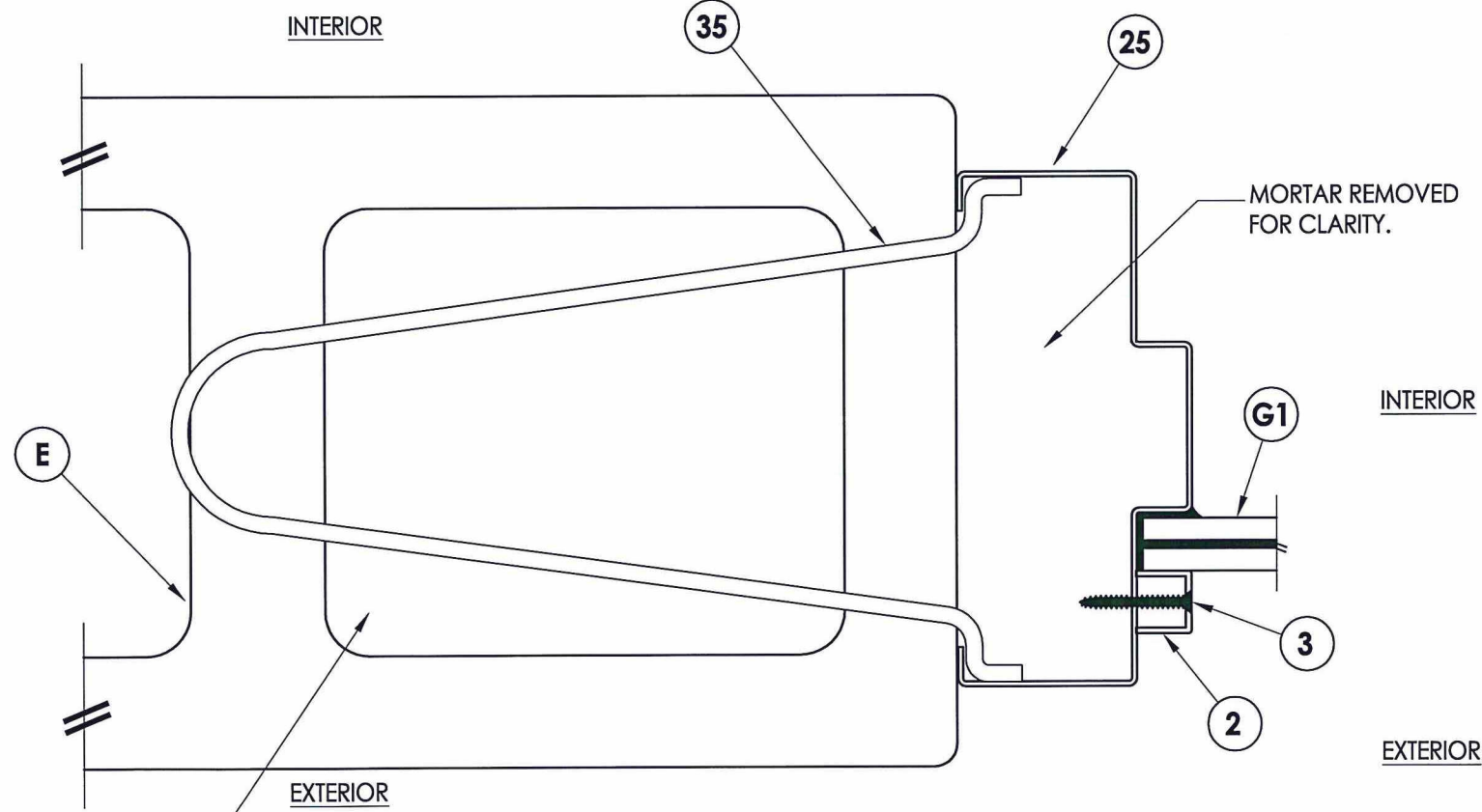
3
2 VERTICAL CROSS SECTION



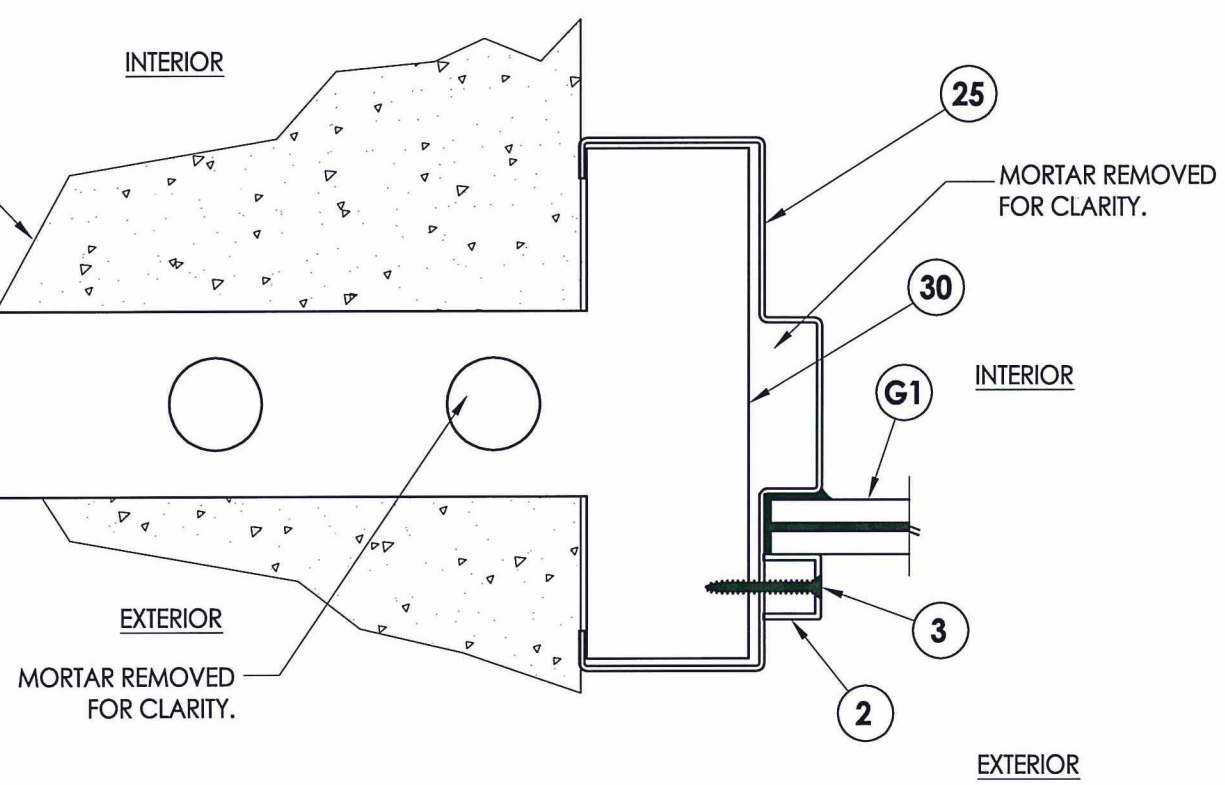
Documents Prepared By:
 Lyndon F. Schmidt
 P.E. No. 43409
 R.W. BUILDING CONSULTANTS, INC.
 P.O. Box 230, Valrico, FL 33595
 Phone No.: 813.659.9197
 FBPE C.A. No. 9813

PRODUCT:	HMF EXPRESS	
PART OR ASSEMBLY:	HORIZONTAL & VERTICAL CROSS SECTIONS	
NO.	DATE	BY
REVISIONS		
DATE:	12/10/15	
SCALE:	N.T.S.	
DWG. BY:	JK	
CHK. BY:	LFS	
DRAWING NO.:	FL-19312.1	
SHEET	2 OF 5	

MORTAR REMOVED FOR CLARITY.



1
3 HORIZONTAL CROSS SECTION



2
3 HORIZONTAL CROSS SECTION

DATE: 12/10/15

SCALE: N.T.S.

DWG. BY: JK

CHK. BY: LFS

DRAWING NO.: FL-19312.1

SHEET 3 OF 5

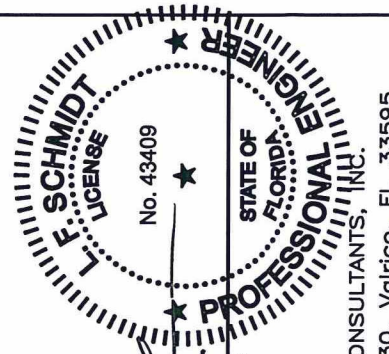
NO.	DATE	BY
REVISIONS		

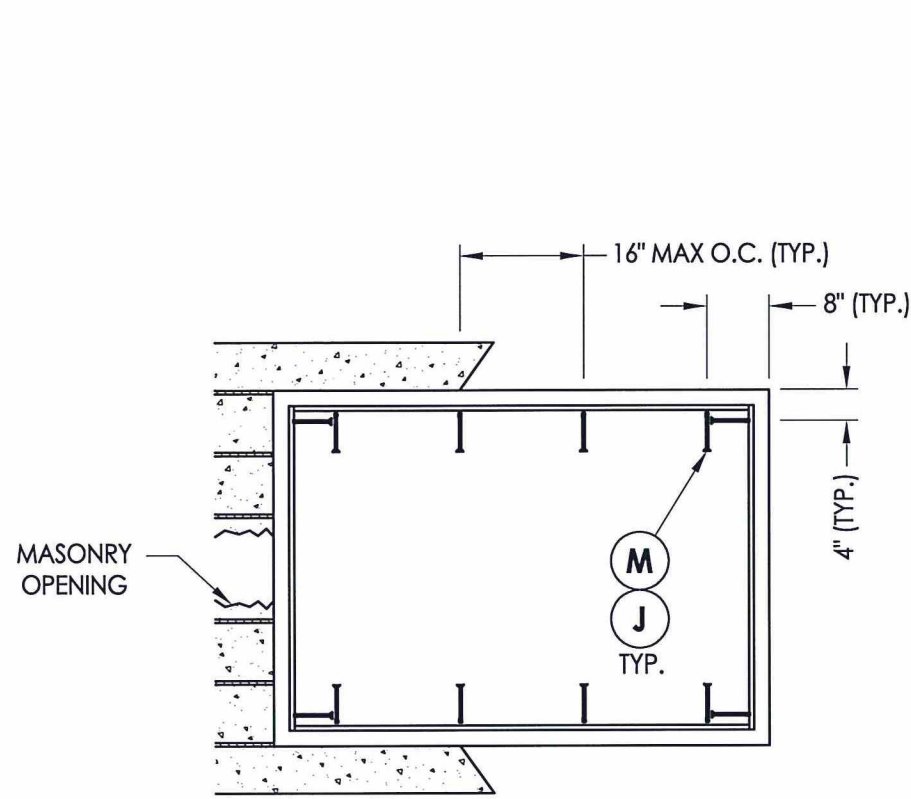
PRODUCT: HMF EXPRESS

PART OR ASSEMBLY: HORIZONTAL CROSS SECTIONS

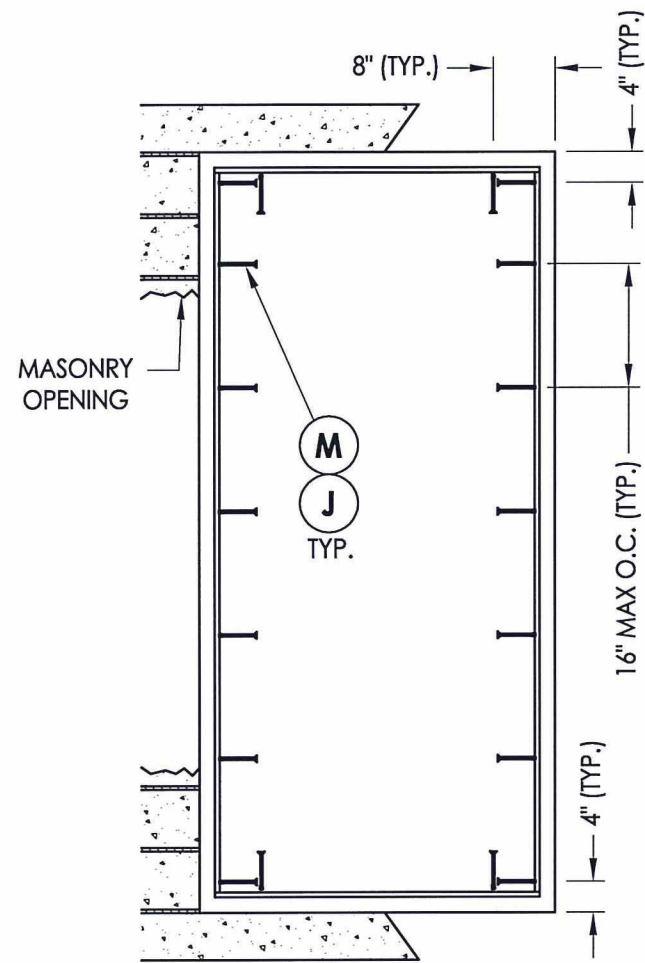
Documents Prepared By:
Lyndon F. Schmidt
P.E. No. 43409

RW BUILDING CONSULTANTS, INC.
P.O. Box 230, Valrico, FL 33595
Phone No.: 813.659.9197
FBPE C.A. No. 9813

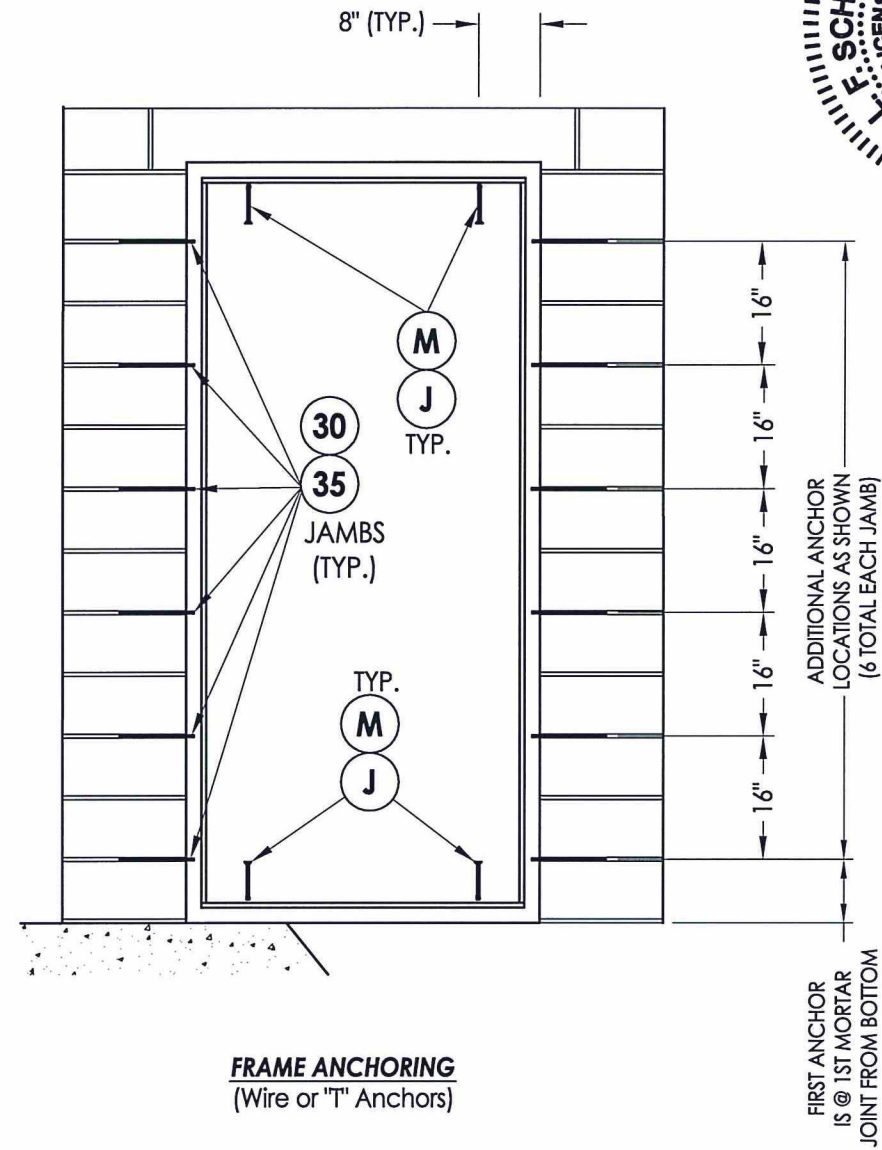




FRAME ANCHORING
(Existing Masonry)



FRAME ANCHORING
(Existing Masonry)

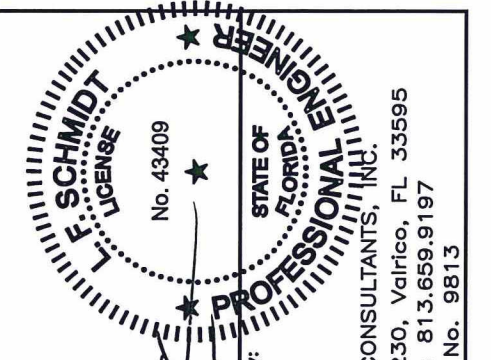


FRAME ANCHORING
(Wire or "T" Anchors)

CONCRETE ANCHOR NOTES:

- Concrete anchor locations may be adjusted to maintain a minimum 1" edge distance to mortar joints. If concrete anchor locations noted as "MAX. O.C." must be adjusted to maintain the minimum edge distance to mortar joints, additional concrete anchors may be required to ensure the maximum on center dimension is not exceeded.
- Concrete anchor table:

ANCHOR TYPE	ANCHOR SIZE	MANUFACTURER	MIN. EDGE DISTANCE	MIN. EMBEDMENT
CONCRETE ANCHOR SCREW	3/8"	LDT TAPCON® (ITW BUILDEX)	3"	1-1/2"
CONCRETE SLEEVE ANCHOR	3/8"	DYNABOLT SLEEVE ANCHOR® (ITW REDHEAD)	2-1/4"	1-1/2"



Documents Prepared By:
Lyndon F. Schmidt
P.E. No. 43409

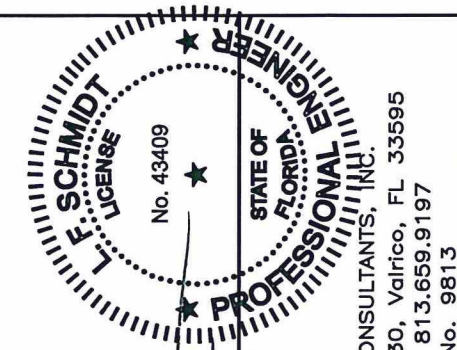
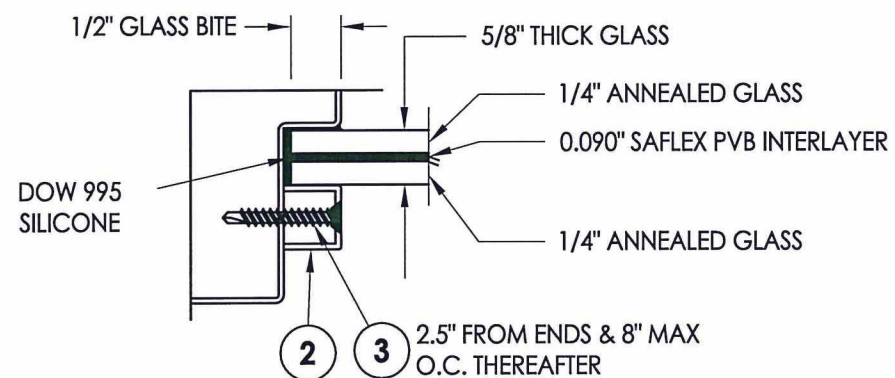
RW BUILDING CONSULTANTS, INC.
P.O. Box 230, Valrico, FL 33595
Phone No.: 813.659.9197
FBPE C.A. No. 9813

PRODUCT: HMF EXPRESS
PART OR ASSEMBLY: ANCHORING DETAILS

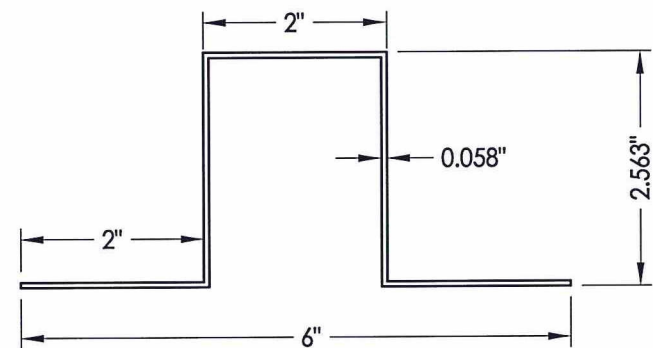
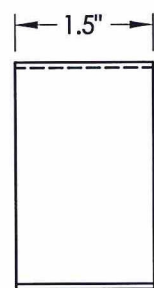
NO.	DATE	BY	REVISIONS

DATE: 12/10/15
SCALE: N.T.S.
DWG. BY: JK
CHK. BY: LFS
DRAWING NO.: FL-19312.1
SHEET 4 OF 5

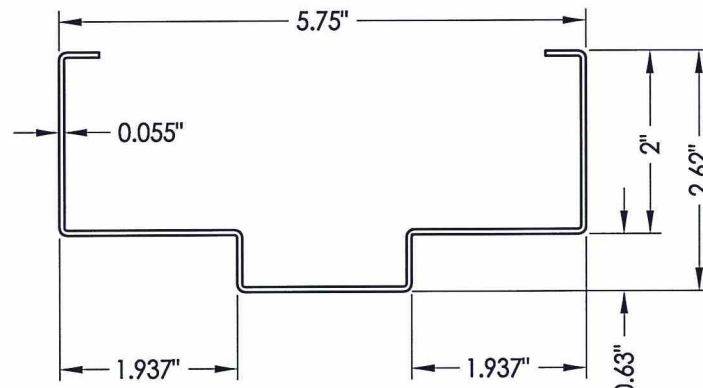
BILL OF MATERIALS		
ITEM #	DESCRIPTION	MATERIAL
C	1/4" MAX. SHIM SPACE	-
E	MASONRY - 3,000 PSI MIN. CONCRETE CONFORMING TO ACI 301 OR HOLLOW BLOCK (GROUT FILLED) CONFORMING TO ASTM C90	CONCRETE
J	3/8" X 5" PFH DYNABOLT SLEEVE ANCHOR (SEE CONCRETE ANCHOR TABLE)	STEEL
M	3/8" X 5" LDT TAPCON CONCRETE SCREW (SEE CONCRETE ANCHOR TABLE)	STEEL
2	GLAZING BEAD	STEEL
3	#6 X 1-1/4" PFH SMS	STEEL
9	ANCHOR BRACKET	STEEL
25	HOLLOW FRAME (2" JAMB) - 16GA (0.055" THK)	STEEL
30	MASONRY 'T' ANCHOR	STEEL
35	WIRE ANCHOR	STEEL



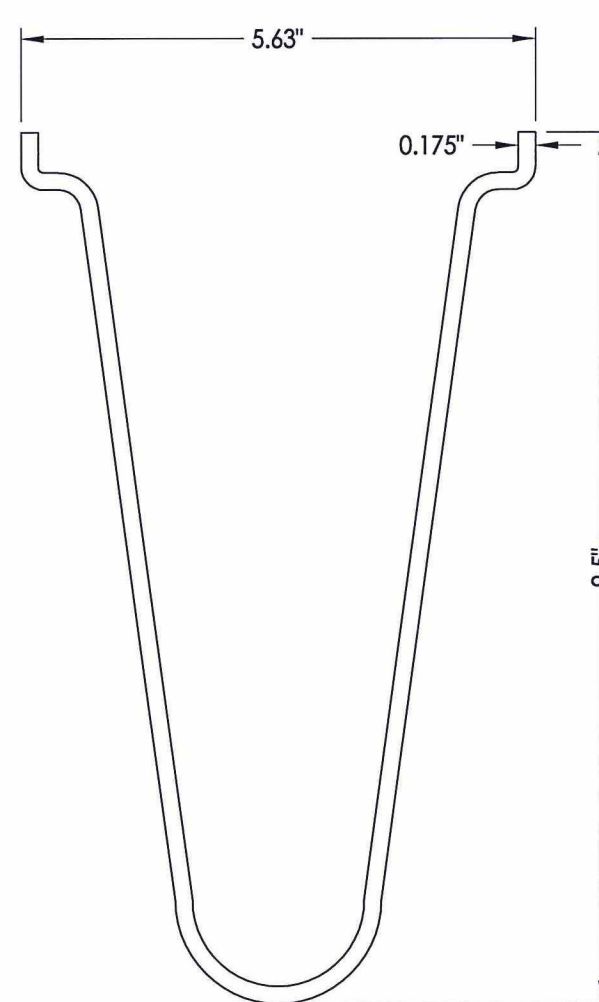
Documents Prepared By:
 Lyndon F. Schmidt
 P.E. No. 43409
 R.W. BUILDING CONSULTANTS, INC.
 P.O. Box 230, Valrico, FL 33595
 Phone No.: 813.659.9197
 FBPE C.A. No. 9813



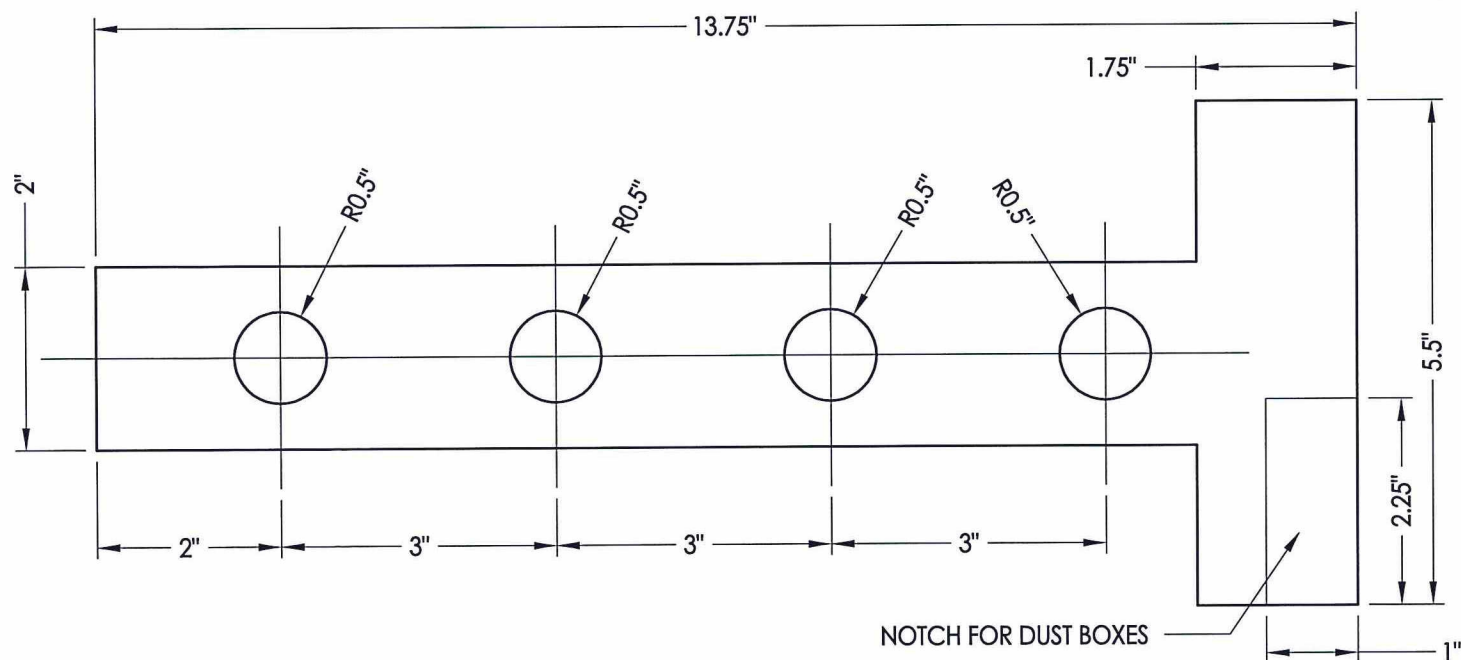
9 ANCHOR BRACKET



**25 HOLLOW METAL FRAME
2" (Jamb)**



35 WIRE ANCHOR



**30 'T' ANCHOR
0.056" Thick Steel**

PRODUCT: HMF EXPRESS	
PART OR ASSEMBLY: BILL OF MATERIALS, COMPONENTS AND GLAZING DETAIL	
NO.	DATE
REVISIONS	
DATE: 12/10/15	
SCALE: N.T.S.	
DWG. BY: JK	
CHK. BY: LFS	
DRAWING NO.: FL-19312.1	
SHEET 5 OF 5	