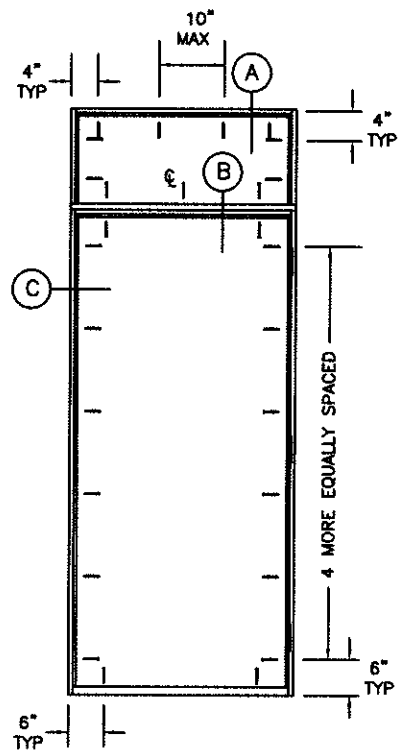
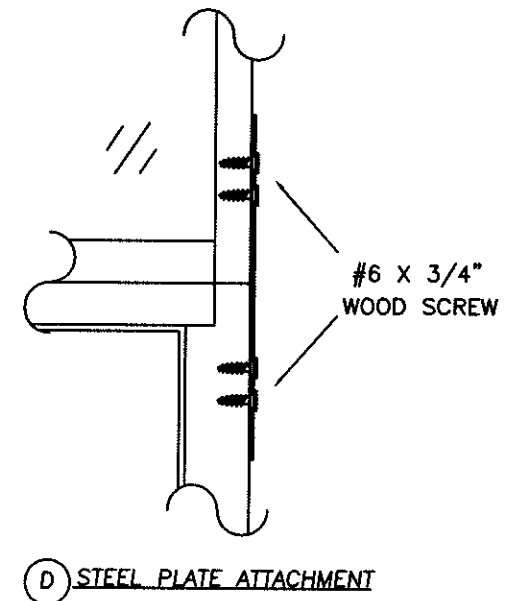
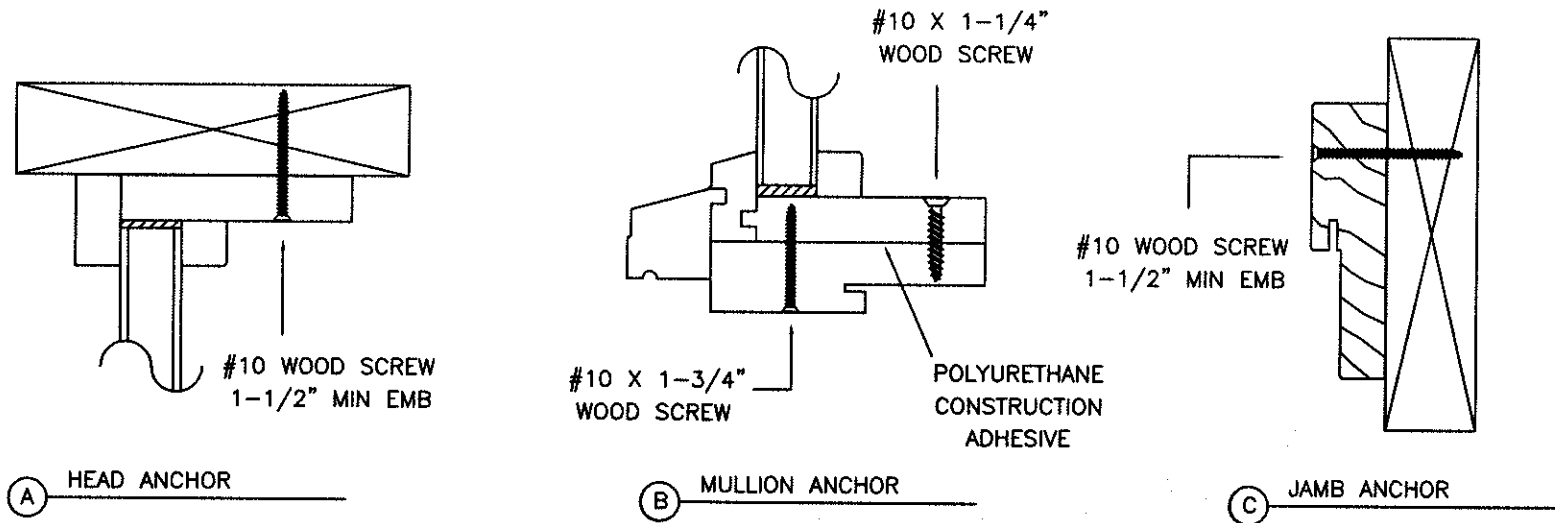




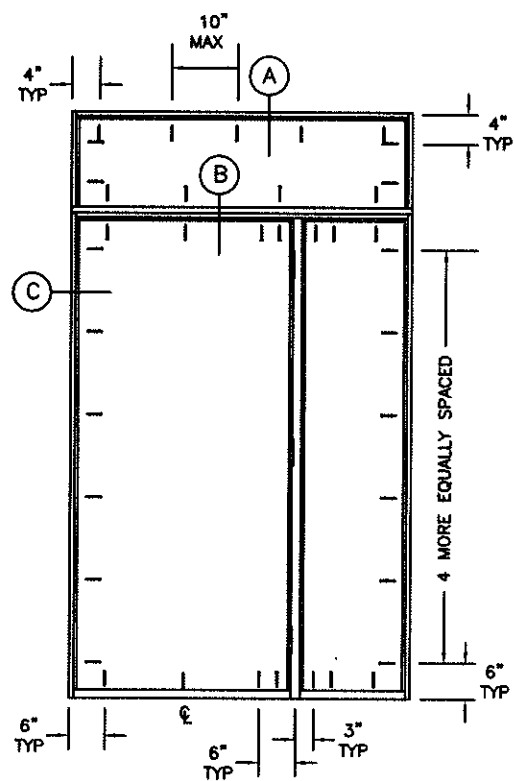
**HORIZONTAL MULLION  
TRANSOM TO DOOR UNIT**

GENERAL NOTES

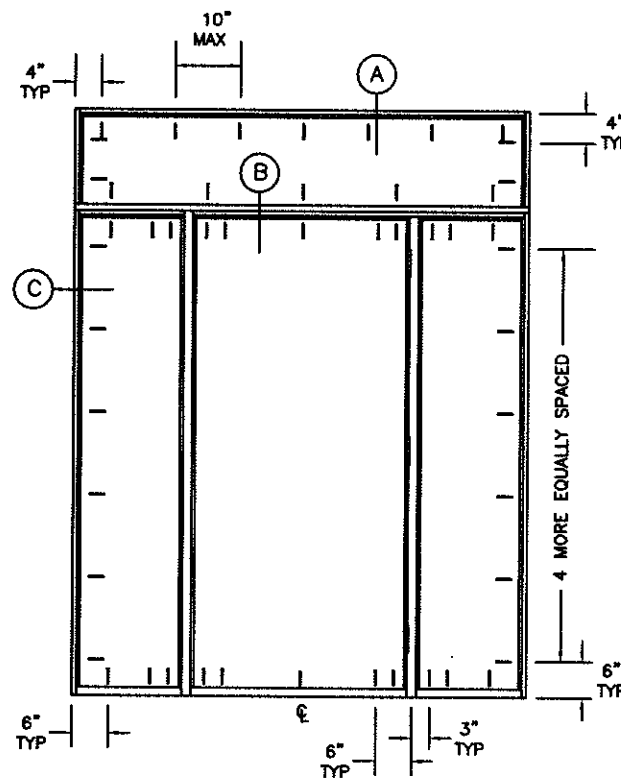
1. THIS PRODUCT IS APPROVED FOR USE IN CONJUNCTION WITH A MASONITE SIDE-HINGED DOOR UNIT AND TRANSOM THAT POSSESS A CURRENT FLORIDA STATEWIDE PRODUCT APPROVAL.
2. THE DESIGN PRESSURE RATING OF THE ASSEMBLED UNIT SHALL BE THE LESSER OF THE DP RATING SHOWN ON THE DOOR UNIT OR TRANSOM APPROVALS BEING USED, BUT NOT TO EXCEED DP +/- 55.0.
3. NOT FOR USE IN THE HIGH VELOCITY HURRICANE ZONE (HVHZ).
4. WHEN INSTALLED IN THE WIND-BORNE DEBRIS REGION, HURRICANE PROTECTIVE SYSTEM IS REQUIRED.
5. SEE TRANSOM AND DOOR UNIT APPROVALS FOR DETAILS.
6. WOOD BUCKS BY OTHERS MUST BE ANCHORED PROPERLY TO TRANSFER LOADS TO STRUCTURE.
7. A PHYSICAL SHIM MUST BE PLACED IN SHIM SPACE AT EACH ANCHOR LOCATION. MAX SHIM SPACE 1/4". WOOD SCREW EDGE DISTANCE MIN 1/2".



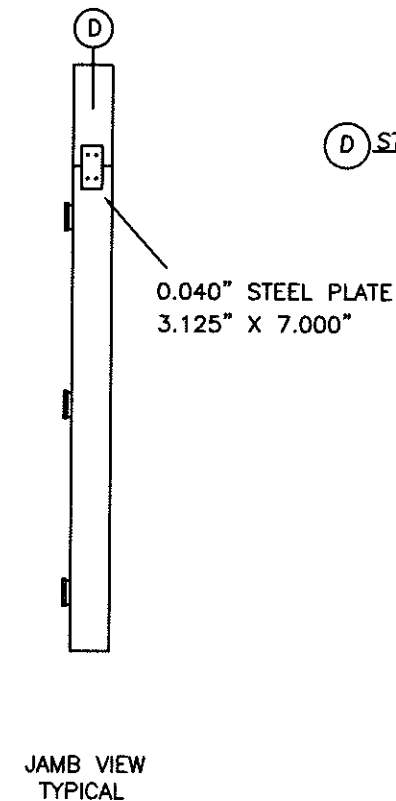
SINGLE DOOR  
ANCHOR DETAIL



DOOR / SIDELITE  
ANCHOR DETAIL



SIDELITE / DOOR / SIDELITE  
ANCHOR DETAIL



JAMB VIEW  
TYPICAL

MASONITE INTERNATIONAL CORP.  
1955 POWIS ROAD  
WEST CHICAGO, IL 60185

PRODUCT:	HORIZONTAL MULLION
PART OR ASSEMBLY:	ATTACHMENT & ANCHORAGE

NO.	DATE	BY

DATE:	4/21/16
SCALE:	N.T.S.
DWG. BY:	SWS
CHK. BY:	
DRAWING NO.:	
DWG-MA-FL0184-16	
SHEET	1 OF 1