

Oldcastle BuildingEnvelope®

FG-5750 STORMMAX® STOREFRONT NON-THERMAL IGU IMPACT STOREFRONT SYSTEM LARGE AND SMALL MISSILE (WET AND DRY GLAZED) FOR HIGH VELOCITY HURRICANE ZONES

Frank Bennardo
PE# 0046549 CA# 9885

AUGUST 31, 2022

FL#20665.2

ENGINEERING EXPRESS®
POSTAL ADDRESS:
401 W. ATLANTIC AVE R10 #219
DELRAY BEACH, FL 33444
ENGINEERINGEXPRESS.COM

OLDCASTLE BUILDING ENVELOPE®
803 AIRPORT ROAD
TERRELL, TX 75160
(972) 551-6100
FG-5750 STOREMAX® NON-THERMAL
IMPACT STOREFRONT SYSTEM
WET & DRY GLAZED

DRWN	CHKD	DATE
JEM	AJP	09/17/20
SSG	RS	03/11/22

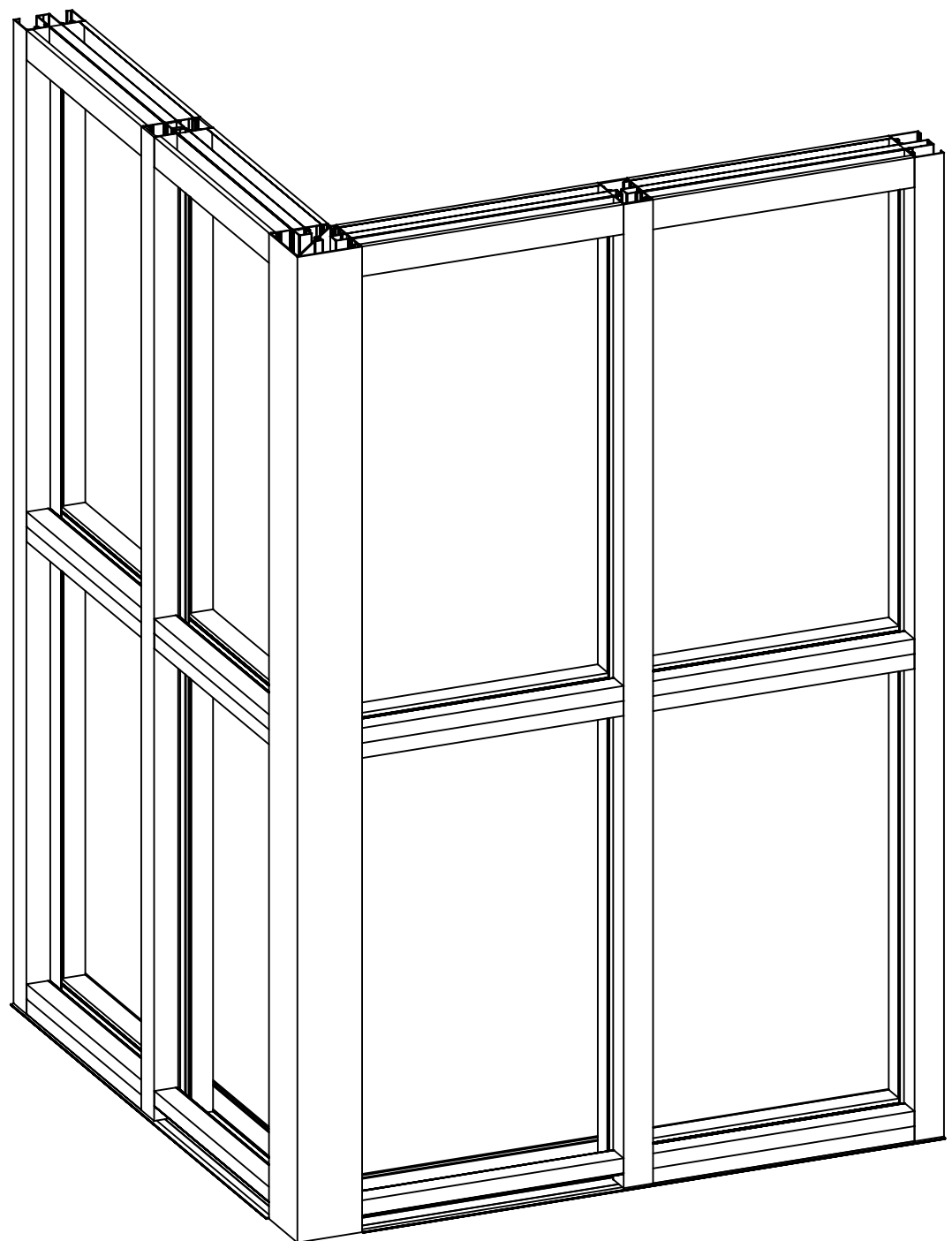
REMARKS
INIT ISSUE
REVISIONS

COPYRIGHT ENGINEERING EXPRESS®

20-29229g

SCALE: NTS UNLESS NOTED

01 OF 43



GENERAL NOTES:

- THIS SYSTEM AND GLASS TYPES DESCRIBED HEREIN COMPLY AND HAVE BEEN DESIGNED AND TESTED IN ACCORDANCE WITH THE FLORIDA BUILDING CODE SEVENTH EDITION (2020) PER
 - ASTM E330-14, E331-00, E283-04
 - TAS 201 / 202 / 203
 - AAMA 501-5
 - ANSI Z97.1-2015 (400 ft-lb. IMPACT)
 - ALUMINUM DESIGN MANUAL 2015, ASCE 7-16
- SITE-SPECIFIC REQUIRED DESIGN PRESSURES SHALL BE CALCULATED BY A LICENSED PROFESSIONAL ENGINEER FOR USE WITH THIS DOCUMENT PER CURRENT ADOPTED EDITION OF ASCE 7 AND WITH LOCAL CODE REQUIREMENTS.
- FOR USE WITHIN AND OUTSIDE THE HIGH VELOCITY HURRICANE ZONE (HVHZ).
- DESIGN PRESSURES NOTED HEREIN ARE BASED ON MAXIMUM TESTED PRESSURES DIVIDED BY A 1.5 SAFETY FACTOR.
- NO 33-1/3% INCREASE IN ALLOWABLE STRESS HAS BEEN USED IN THE DESIGN OF THIS SYSTEM. WIND LOAD DURATION FACTOR Cd=1.6 HAS BEEN USED FOR WOOD ANCHOR DESIGN.
- THE ARCHITECT/ENGINEER OF RECORD FOR THE PROJECT SUPERSTRUCTURE WITH WHICH THIS DESIGN IS USED SHALL BE RESPONSIBLE FOR THE INTEGRITY OF ALL SUPPORTING SURFACES TO THIS DESIGN WHICH SHALL BE COORDINATED BY THE PERMITTING CONTRACTOR. WOOD BUCKS (BY OTHERS) SHALL BE ANCHORED PROPERLY TO TRANSFER LOADS TO THE EXISTING STRUCTURE.
- THE SYSTEM DETAILED HEREIN IS GENERIC AND DOES NOT PROVIDE INFORMATION FOR A SPECIFIC SITE. FOR SITE CONDITIONS DIFFERENT FROM THE CONDITIONS DETAILED HEREIN, A LICENSED ENGINEER OR REGISTERED ARCHITECT SHALL PREPARE SITE SPECIFIC DOCUMENTS FOR USE IN CONJUNCTION WITH THIS DOCUMENT.
- THE CONTRACTOR IS RESPONSIBLE TO INSULATE ALL MEMBERS FROM DISSIMILAR MATERIALS TO PREVENT ELECTROLYSIS.
- FASTENERS SHALL BE CADMIUM-PLATED OR OTHERWISE CORROSION-RESISTANT MATERIAL AND SHALL COMPLY WITH "SPECIFICATIONS FOR ALUMINUM STRUCTURES" SECTION J.3.7.2 BY THE ALUMINUM ASSOCIATION, INC., & ANY APPLICABLE FEDERAL, STATE, AND/OR LOCAL CODES
- ENGINEER SEAL AFFIXED HERE TO VALIDATES STRUCTURAL DESIGN AS SHOWN ONLY. USE OF THIS SPECIFICATION BY CONTRACTOR, et. al. INDEMNIFIES & SAVES HARMLESS THIS ENGINEER FOR ALL COST & DAMAGES INCLUDING LEGAL FEES & APPELLATE FEES RESULTING FROM MATERIAL FABRICATION, SYSTEM ERECTION, & CONSTRUCTION PRACTICES BEYOND THAT WHICH IS CALLED FOR BY LOCAL, STATE, & FEDERAL CODES & FROM DEVIATIONS OF THIS PLAN.
- EXCEPT AS EXPRESSLY PROVIDED HEREIN, NO ADDITIONAL CERTIFICATIONS OR AFFIRMATIONS ARE INTENDED.
- PRESSURE VALUES ON THIS APPROVAL ARE (ASD) ALLOWABLE DESIGN PRESSURES.
- ALTERATIONS, ADDITIONS, OR OTHER MARKINGS TO THIS DOCUMENT ARE NOT PERMITTED AND INVALIDATE THIS CERTIFICATION.
- SAFEGUARDS MUST BE OBSERVED (NOT IN THIS CERTIFICATION)
- PRODUCT SHALL BE PERMANENTLY LABELED WITH A MINIMUM OF ONE LABEL PER SYSTEM CONTAINING THE FOLLOWING:

Oldcastle BuildingEnvelope®
803 AIRPORT ROAD
TERRELL, TEXAS 75160
TAS 201/202/203

SHEET INDEX

# SHEET	DESCRIPTION
01	COVER SHEET
02-03	ELEVATIONS
04-05	GLAZING DETAILS
06-11	GLASS LOADING TABLES
12	MULLION & JAMB LOADING DETERMINATION
13-16	MULLION LOADING TABLES
17-29	FASTENER SCHEDULE AND ANCHOR CHARTS
30-38	STANDARD FRAMING DETAILS
39-41	PART DRAWINGS
42-43	BILL OF MATERIALS
43	TOTAL

DESIGN PRESSURE

WATER INFILTRATION 15 PSF
AIR INFILTRATION 6.24 PSF
MAXIMUM DESIGN PRESSURE = +70/-80 PSF

ALL ALUMINUM EXTRUSIONS SHALL BE MADE FROM 6063-T6 ALLOY AND TEMPER.

THIS PRODUCT HAS BEEN DESIGNED, ENGINEERED AND TESTED TO COMPLY WITH CURRENT FLORIDA BUILDING CODE.

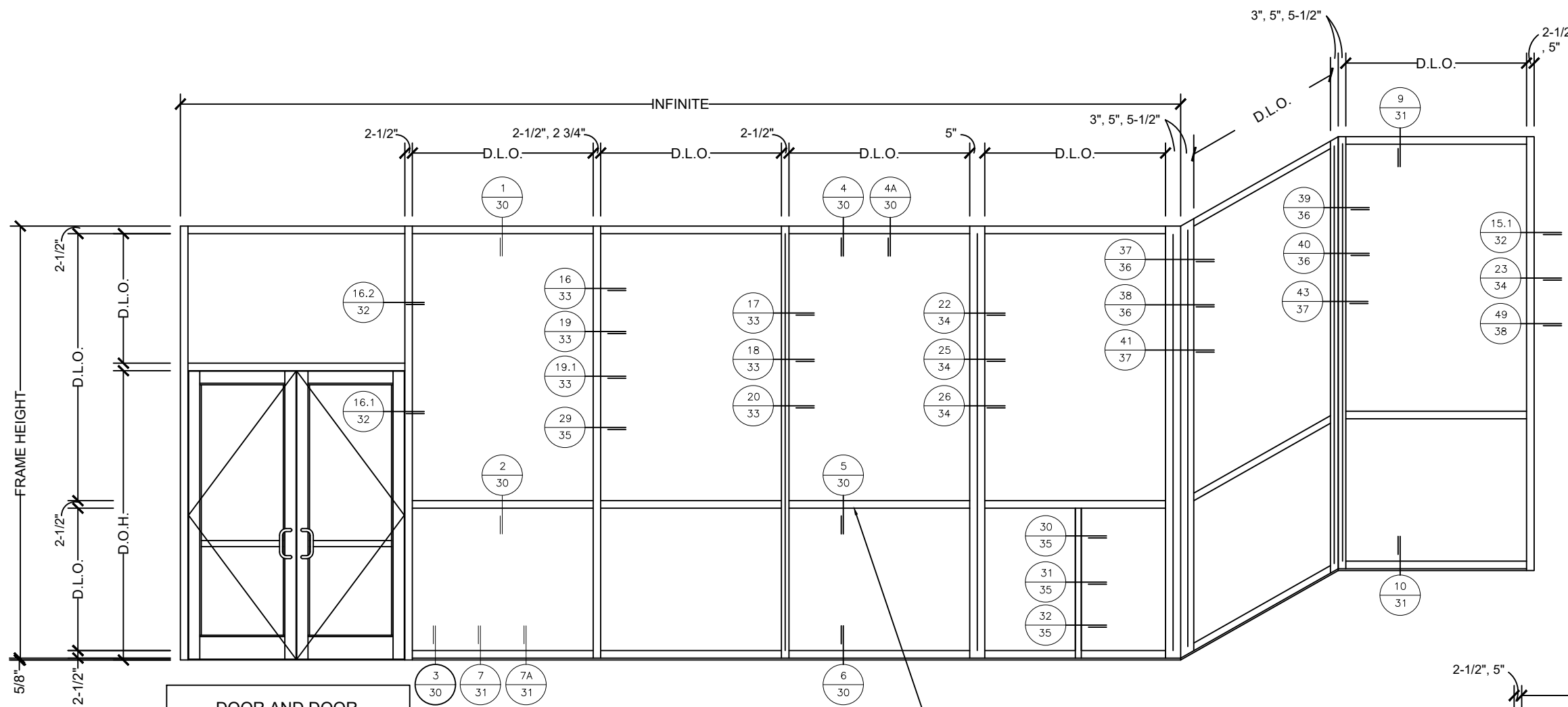
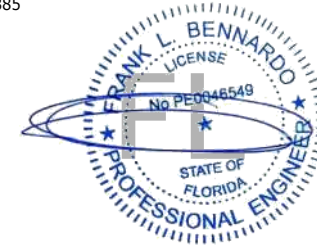
MATERIALS, INCLUDING BUT NOT LIMITED TO STEEL SCREWS, THAT COME IN CONTACT WITH OTHER DISSIMILAR MATERIALS SHALL MEET THE REQUIREMENTS OF CURRENT FLORIDA BUILDING CODE.

VISIT ECALC.IO/2029229g SCAN HERE:

FOR HELPFUL RESOURCES, SITE SPECIFIC JOB ORDERING & MORE INFORMATION ABOUT THIS PRODUCT & RELATED SERVICES

c:\users\sam\engineering\express\production - documents\projects\20-29229 oldcastle - fg 5000 & fg 5100\revision order 8879\work\drawings & cad\fg-5750\20-29229g obe - fg-5750g 8-25-22.dwg

8/31/2022 2:05 PM SAM



DOOR AND DOOR FRAMES ARE SHOWN ON SEPARATE APPROVAL

NOTE: HORIZONTAL MEMBER IS LIMITED TO 57 1/2" MAX. IN LENGTH

**OUTSIDE DRY AND WET GLAZED ELEVATIONS
(DEPICTED WITH FG-5712 SUB SILL)**

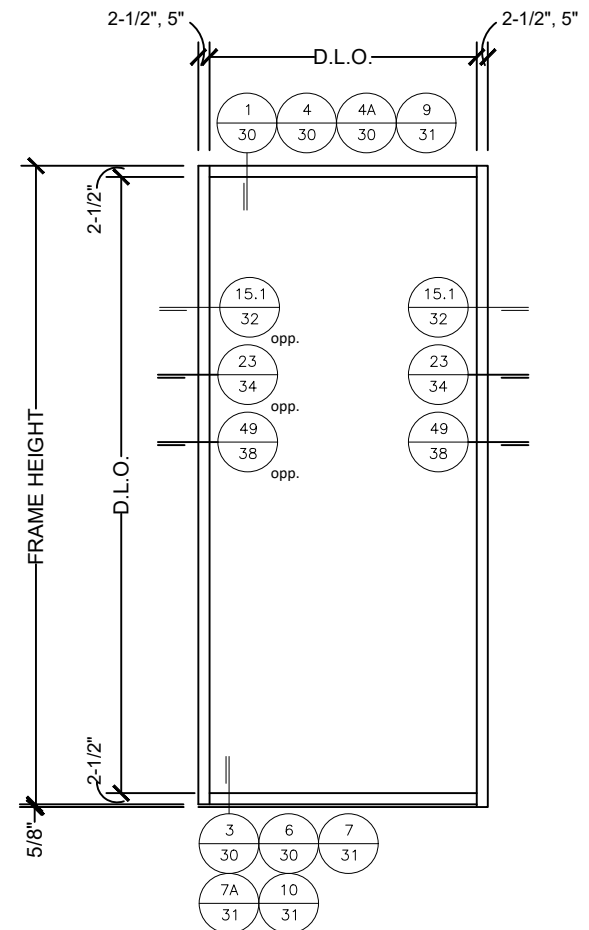
INSTRUCTIONS TO DETERMINE DESIGN PRESSURE RATING

STEP ①: USE THE GLASS LOADING TABLES TO DETERMINE THE ALLOWABLE PRESSURE OF THE GLASS.

STEP ②: USE THE MULLION LOADING TABLE TO DETERMINE THE ALLOWABLE PRESSURES FOR THE MULLIONS
NOTE: TO DETERMINE THE LOADS OF THE MULLIONS, SEE DIAGRAM ON PAGE 12

STEP ③: THE MINIMUM VALUE BETWEEN STEP ① AND STEP ② WILL DETERMINE THE DESIGN LOAD PRESSURE FOR THE STOREFRONT SYSTEM.

STEP ④: LESSER OF SILL / HEAD ALLOWABLE PRESSURE (PAGES 30-32) AND FASTENER SCHEDULE (PAGES 17-26) MUST MEET OR EXCEED DESIGN LOAD PRESSURE FOR THE STOREFRONT SYSTEM.



TYPICAL SINGLE PANEL OPENING
FRAME SIZE FOR SINGLE OPENINGS SHALL BE GOVERNED BY THE MAXIMUM ALLOWABLE D.L.O. DIMENSIONS DISPLAYED ON THE GLASS CHARTS

DOORS ARE SHOWN BY SEPARATE APPROVAL
LESSER PRESSURE WILL PREVAIL ON COMBINED PRODUCTS
MINIMUM SHIM SPACE REQUIRED 1/4", MAXIMUM SHIM SPACE 1/2"

FL#20665.2

ENGINEERING EXPRESS
POSTAL ADDRESS:
401 W. ATLANTIC AVE R10 #219
DELRAY BEACH, FL 33444
ENGINEERINGEXPRESS.COM

OLDCASTLE BUILDING ENVELOPE
803 AIRPORT ROAD
TERRELL, TX 75160
(972) 551-6100
FG-5750 STOREMAX[®] NON-THERMAL
IMPACT STOREFRONT SYSTEM
WET & DRY GLAZED

REMARKS	DATE	DRWN	CHKD
INIT. ISSUE	09/17/20	JEM	AJP
REVISIONS	03/11/22	SSG	RS

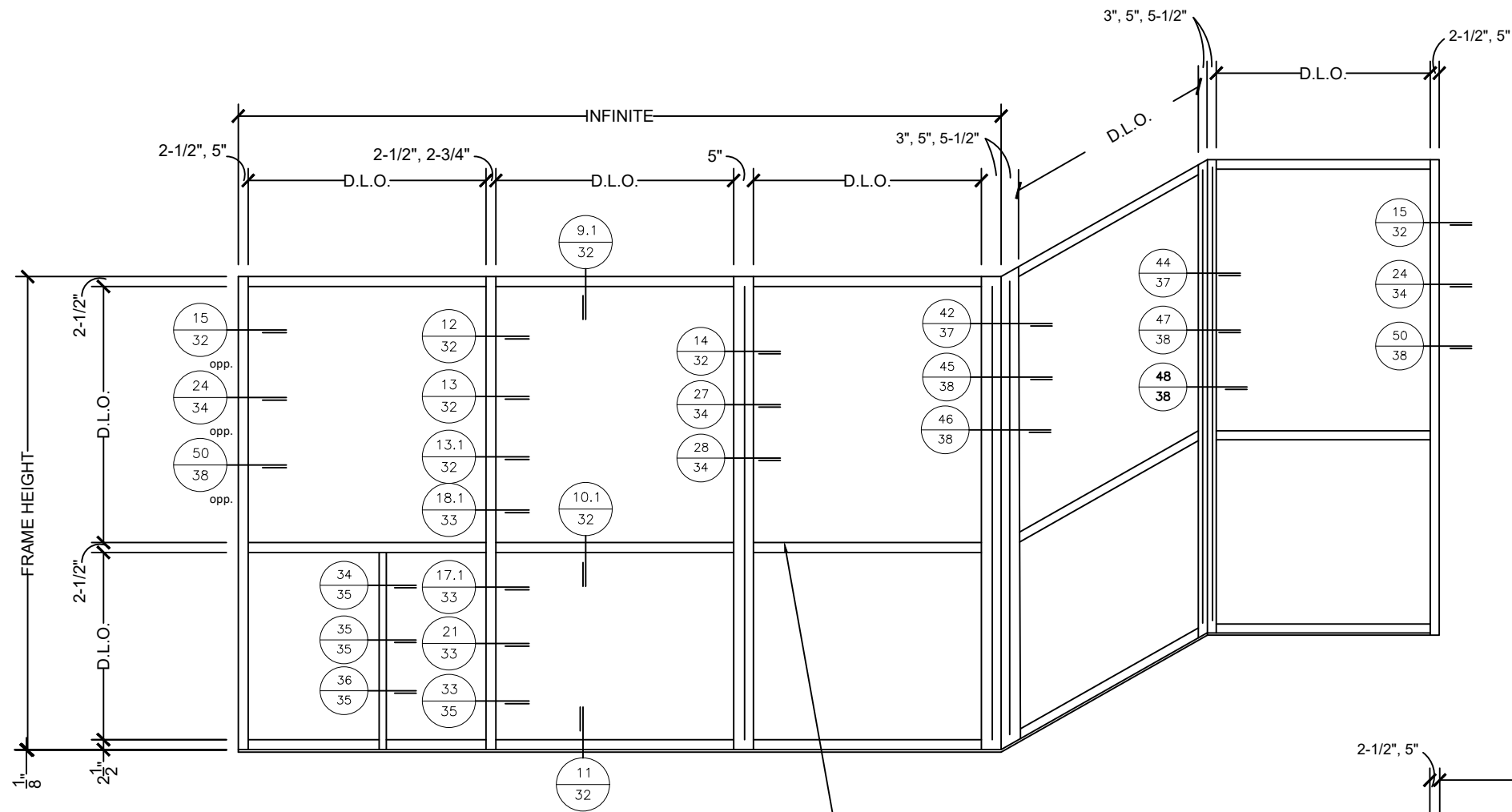
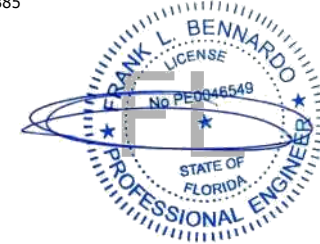
COPYRIGHT ENGINEERING EXPRESS[®]

20-29229g

SCALE: NTS UNLESS NOTED

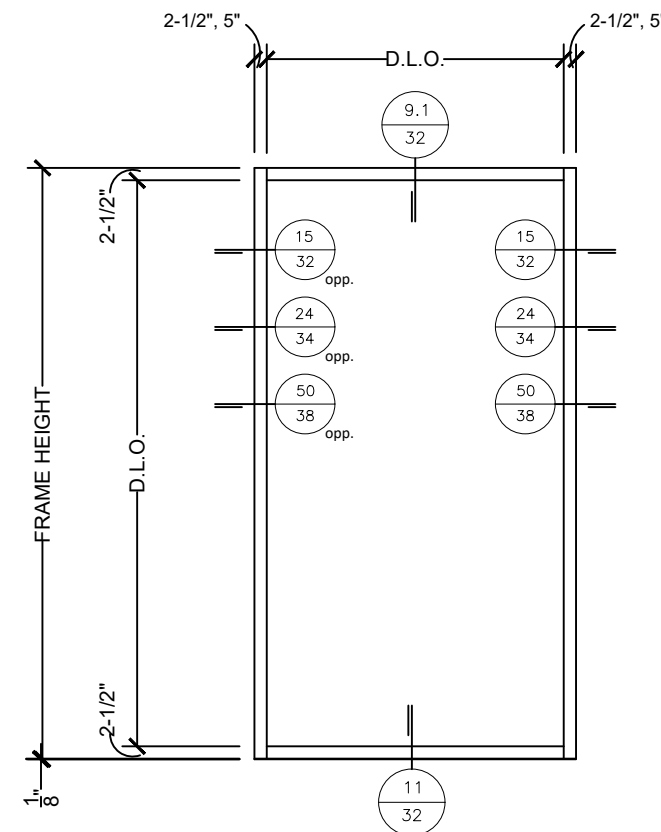
02 OF 43

c:\users\sam\engineering\express\production - documents\projects\20-29229\oldcastle - fg 5000 & fg 5100\revision order 8879\work\drawings & cad\fg-5750\20-29229g obe - fg-5750g 8-25-22.dwg



**INSIDE DRY GLAZED ELEVATIONS
(DEPICTED WITH FG-5180 SUB SILL)
(LARGE AND SMALL MISSILE)**

NOTE: HORIZONTAL MEMBER IS LIMITED TO 57 1/2" MAX. IN LENGTH.



TYPICAL SINGLE PANEL OPENING

FRAME SIZE FOR SINGLE OPENINGS SHALL BE GOVERNED BY THE MAXIMUM ALLOWABLE D.L.O. DIMENSIONS DISPLAYED ON THE GLASS CHARTS

INSTRUCTIONS TO DETERMINE DESIGN PRESSURE RATING

- STEP ①: USE THE GLASS LOADING TABLES TO DETERMINE THE ALLOWABLE PRESSURE OF THE GLASS.
- STEP ②: USE THE MULLION LOADING TABLE TO DETERMINE THE ALLOWABLE PRESSURES FOR THE MULLIONS
NOTE: TO DETERMINE THE LOADS OF THE MULLIONS, SEE DIAGRAM ON PAGE 12
- STEP ③: THE MINIMUM VALUE BETWEEN STEP ① AND STEP ② WILL DETERMINE THE DESIGN LOAD PRESSURE FOR THE STOREFRONT SYSTEM.
- STEP ④: LESSER OF SILL / HEAD ALLOWABLE PRESSURE (PAGES 27-29) AND FASTENER SCHEDULE (PAGES 17-26) MUST MEET OR EXCEED DESIGN LOAD PRESSURE FOR THE STOREFRONT SYSTEM.

DOORS ARE SHOWN BY SEPARATE APPROVAL
LESSER PRESSURE WILL PREVAIL ON COMBINED PRODUCTS
MINIMUM SHIM SPACE REQUIRED 1/4", MAXIMUM SHIM SPACE 1/2"

FL#20665.2

ENGINEERING EXPRESS
POSTAL ADDRESS:
401 W. ATLANTIC AVE R10 #219
DELRAY BEACH, FL 33444
ENGINEERINGEXPRESS.COM

OLDCASTLE BUILDING ENVELOPE

803 AIRPORT ROAD
TERRELL, TX 75160
(972) 551-6100

FG-5750 STOREMAX[®] NON-THERMAL
IMPACT STOREFRONT SYSTEM
WET & DRY GLAZED

REMARKS	DATE	DRWN	CHKD
INIT. ISSUE	09/17/20	JEM	AJP
REVISIONS	03/11/22	SSG	RS

COPYRIGHT ENGINEERING EXPRESS[®]

20-29229g

SCALE: NTS UNLESS NOTED

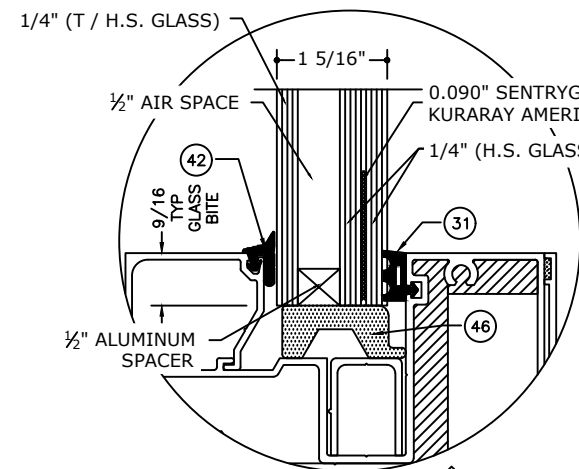
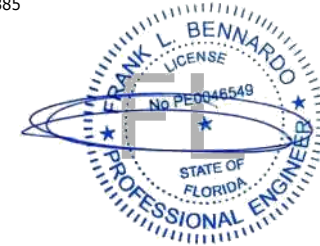
03 OF 43

c:\users\sam\engineering\express\production - documents\projects\20-29229 oldcastle - fg 5000 & fg 5100\revision order 8879\work\drawings & cad\fg-5750\20-29229g obe - fg-5750g 8-25-22.dwg 8/31/2022 2:05 PM SAM

GLASS TYPES (L.M.I.) OUTSIDE GLAZED - MISSILE LEVEL "D"

Frank Bennardo
PE# 0046549 CA# 9885

AUGUST 31, 2022

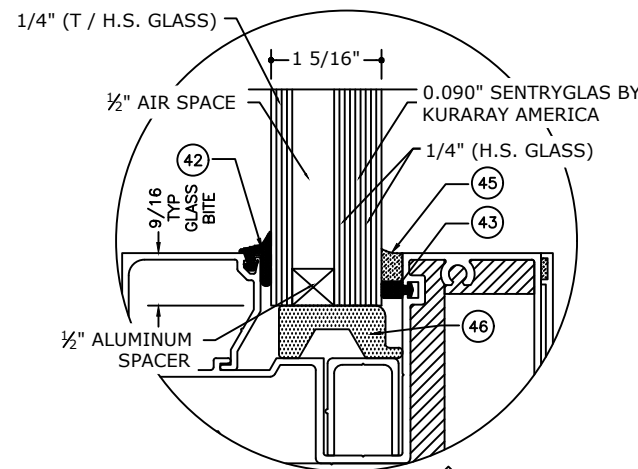


GLASS TYPE **G1**

GLAZING DETAIL (DRY GLAZED)

N.T.S.

GLASS RATING:
LARGE MISSILE LEVEL D
1 5/16" GLASS

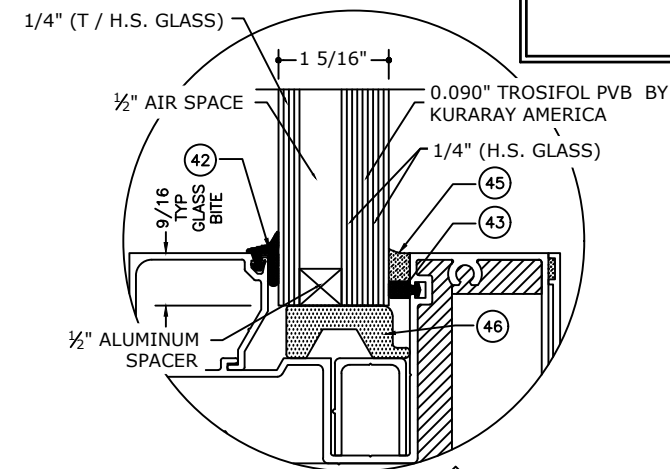


GLASS TYPE **G2**

GLAZING DETAIL (WET GLAZED)

N.T.S.

GLASS RATING:
LARGE MISSILE LEVEL D
1 5/16" GLASS

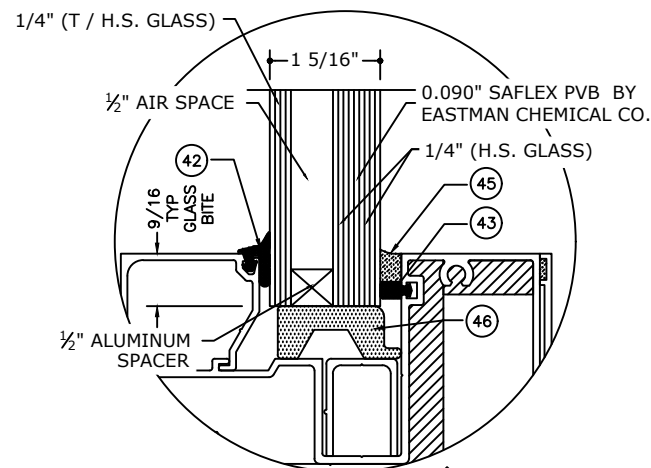


GLASS TYPE **G3**

GLAZING DETAIL (WET GLAZED)

N.T.S.

GLASS RATING:
LARGE MISSILE LEVEL D
1 5/16" GLASS

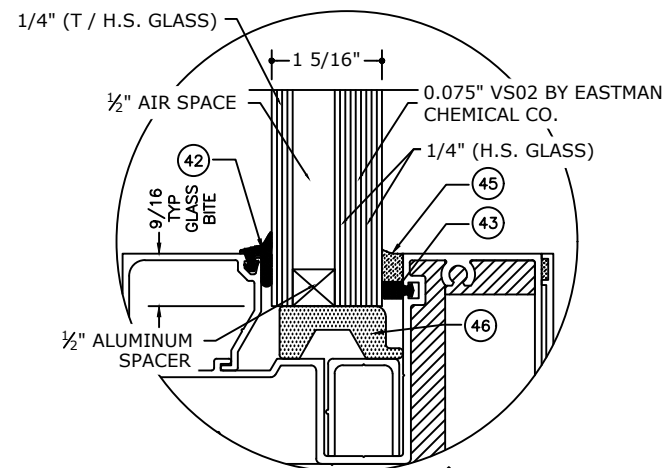


GLASS TYPE **G4**

GLAZING DETAIL (WET GLAZED)

N.T.S.

GLASS RATING:
LARGE MISSILE LEVEL D
1 5/16" GLASS



GLASS TYPE **G5**

GLAZING DETAIL (WET GLAZED)

N.T.S.

GLASS RATING:
LARGE MISSILE LEVEL D
1 5/16" GLASS

FL#20665.2

ENGINEERING EXPRESS
POSTAL ADDRESS:
401 W. ATLANTIC AVE R10 #219
DELRAY BEACH, FL 33444
ENGINEERINGEXPRESS.COM

OLDCASTLE BUILDING ENVELOPE
803 AIRPORT ROAD
TERRELL, TX 75160
(972) 551-6100

FG-5750 STOREMAX[®] NON-THERMAL
IMPACT STOREFRONT SYSTEM
WET & DRY GLAZED

REMARKS	DRWN	CHKD	DATE
INIT ISSUE	JEM	AJP	09/17/20
REVISIONS	SSO	RS	03/11/22

COPYRIGHT ENGINEERING EXPRESS[®]

20-29229g

SCALE: NTS UNLESS NOTED

04 OF 43

NOTE: GLAZING TYPE COMPLIES WITH ASTM E1300 REQUIREMENTS.

c:\users\sam\engineering\express\production - documents\projects\20-29229 oldcastle - fg 5000 & fg 5100\revision order 8879\work\drawings & cad\fg-5750\20-29229g obe - fg-5750g 8-25-22.dwg 8/31/2022 2:05 PM SAM

c:\users\sam\engineering\express\production - documents\projects\20-29229 oldcastle - fg 5000 & fg 5100\revision order 8879\work\drawings & cad\fg-5750\20-29229g obe - fg-5750g 8-25-22.dwg

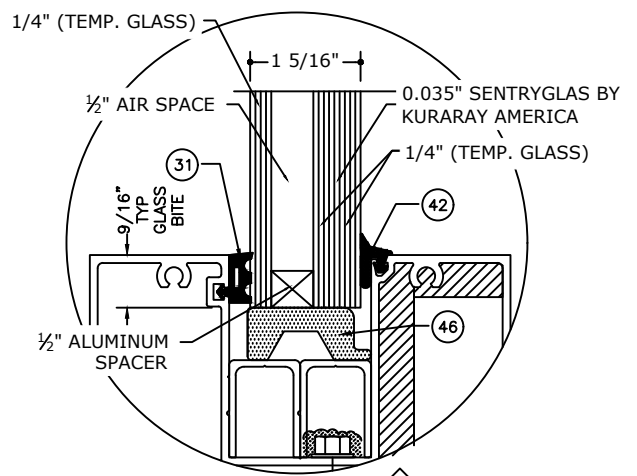
GLASS TYPE (LMI & S.M.I.) - INSIDE GLAZED

Frank Bennardo
PE# 0046549 CA# 9885

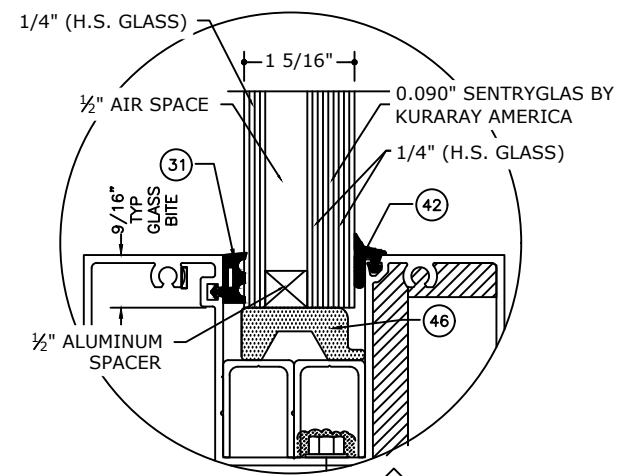
AUGUST 31, 2022

FL#20665.2

ENGINEERING EXPRESS
 POSTAL ADDRESS:
 401 W. ATLANTIC AVE R10 #219
 DELRAY BEACH, FL 33444
 ENGINEERINGEXPRESS.COM



GLASS TYPE **G6**
GLAZING DETAIL (DRY GLAZED)
 N.T.S.
GLASS RATING:
 SMALL MISSILE
 1 5/16" GLASS



GLASS TYPE **G7**
GLAZING DETAIL (DRY GLAZED)
 N.T.S.
GLASS RATING:
 LARGE MISSILE LEVEL D
 1 5/16" GLASS

NOTE: GLAZING TYPE COMPLIES WITH ASTM E1300 REQUIREMENTS.

OLDCASTLE BUILDING ENVELOPE
 803 AIRPORT ROAD
 TERRELL, TX 75160
 (972) 551-6100

FG-5750 STOREMAX[®] NON-THERMAL
 IMPACT STOREFRONT SYSTEM
 WET & DRY GLAZED

REMARKS	DRWN	CHKD	DATE
INIT. ISSUE	JEM	AJP	09/17/20
REVISIONS	SSQ	RS	03/11/22

COPYRIGHT ENGINEERING EXPRESS[®]

20-29229g

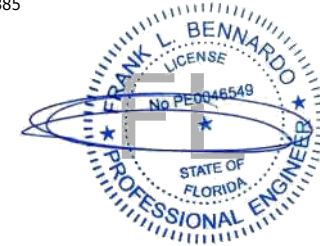
SCALE: NTS UNLESS NOTED

05 OF 43

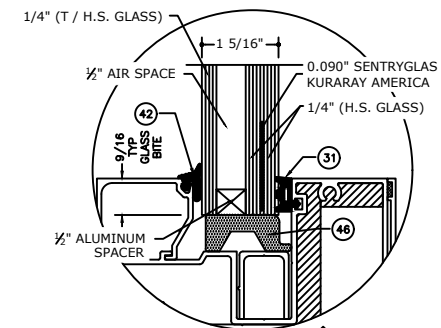
GLASS LOADING TABLES (L.M.I.)

Frank Bennardo
PE# 0046549 CA# 9885

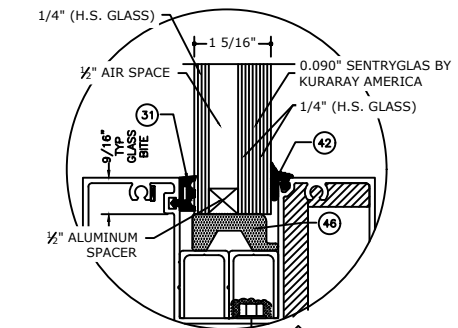
AUGUST 31, 2022



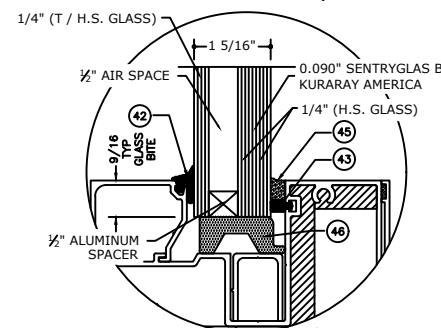
GLASS TYPES		G1 G7		G2		G3		G4		G5	
		ALLOWABLE PRESSURE		ALLOWABLE PRESSURE		ALLOWABLE PRESSURE		ALLOWABLE PRESSURE		ALLOWABLE PRESSURE	
D.L.O. HEIGHT (in)	D.L.O. WIDTH (in)	(+) P.S.F	(-) P.S.F	(+) P.S.F	(-) P.S.F	(+) P.S.F	(-) P.S.F	(+) P.S.F	(-) P.S.F	(+) P.S.F	(-) P.S.F
48	24	75	75	75	75	55	55	70	80	90	90
	30	75	75	75	75	55	55	70	80	90	90
	36	75	75	75	75	55	55	70	80	90	90
	42	75	75	75	75	55	55	67	77	90	90
	46	75	75	75	75	55	55	61	70	90	90
	48	75	75	75	75	52	52	59	67	90	90
	54	75	75	75	75	52	52	59	67	90	90
	57 1/2	75	75	75	75	52	52	59	67	90	90
	60	75	75	75	75	52	52	59	67	90	90
	66	75	75	75	75	52	52	59	67	90	90
54	24	75	75	75	75	55	55	70	80	90	90
	30	75	75	75	75	55	55	70	80	90	90
	36	75	75	75	75	55	55	70	80	90	90
	42	75	75	75	75	55	55	67	77	90	90
	46	75	75	75	75	55	55	61	70	90	90
	48	75	75	75	75	52	52	59	67	90	90
	54	75	75	75	75	46	46	52	60	90	90
	57 1/2	75	75	75	75	46	46	52	60	90	90
	60	75	75	75	75	46	46	52	60	90	90
	66	75	75	75	75	46	46	52	60	90	90
60	24	75	75	75	75	55	55	70	80	90	90
	30	75	75	75	75	55	55	70	80	90	90
	36	75	75	75	75	55	55	70	80	90	90
	42	75	75	75	75	55	55	67	77	90	90
	46	75	75	75	75	55	55	61	70	90	90
	48	75	75	75	75	52	52	59	67	90	90
	54	75	75	75	75	46	46	52	60	90	90
	57 1/2	75	75	75	75	44	44	49	56	90	90
	60	67	67	67	67	42	42	47	54	86	86
	66	67	67	67	67	-	-	47	54	86	86
66	24	75	75	75	75	55	55	70	80	90	90
	30	75	75	75	75	55	55	70	80	90	90
	36	75	75	75	75	55	55	70	80	90	90
	42	75	75	75	75	55	55	67	77	90	90
	46	75	75	75	75	55	55	61	70	90	90
	48	75	75	75	75	52	52	59	67	90	90
	54	75	75	75	75	46	46	52	60	90	90
	57 1/2	75	75	75	75	44	44	49	56	90	90
	60	67	67	67	67	-	-	47	54	86	86
	66	60	60	60	60	-	-	42	49	78	78
72	60	60	60	60	-	-	-	-	78	78	
78	60	60	60	60	-	-	-	-	78	78	



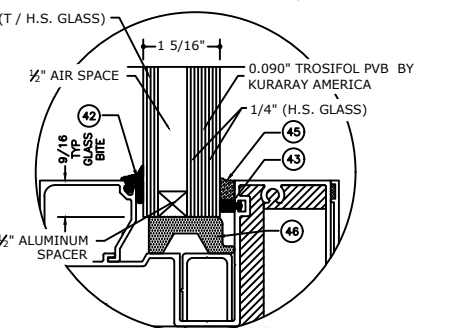
GLASS TYPE G1



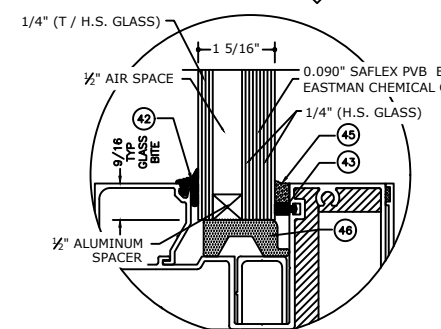
GLASS TYPE G7



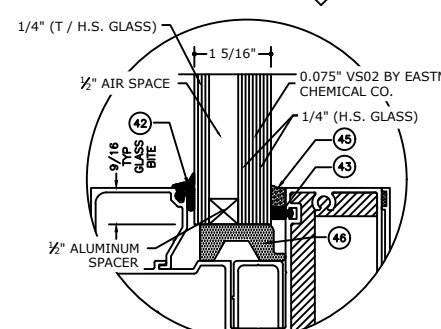
GLASS TYPE G2



GLASS TYPE G3



GLASS TYPE G4



GLASS TYPE G5

FL#20665.2

ENGINEERING EXPRESS
POSTAL ADDRESS:
401 W. ATLANTIC AVE R10 #219
DELRAY BEACH, FL 33444
ENGINEERINGEXPRESS.COM

OLDCASTLE BUILDING ENVELOPE
803 AIRPORT ROAD
TERRELL, TX 75160
(972) 551-6100
FG-5750 STOREMAX[®] NON-THERMAL
IMPACT STOREFRONT SYSTEM
WET & DRY GLAZED

REMARKS	DRWN	CHKD	DATE
INIT ISSUE	JEM	AJP	09/17/20
REVISIONS	SSG	RS	03/11/22

COPYRIGHT ENGINEERING EXPRESS[®]

20-29229g

SCALE: NTS UNLESS NOTED

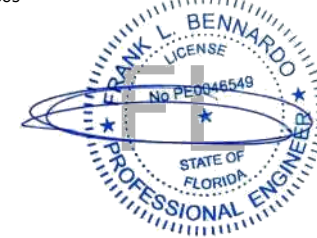
06 OF 43

c:\users\sam\engineering\express\production - documents\projects\20-29229\work\drawings & cad\fg-5750\20-29229g obe - fg-5750g 8-25-22.dwg

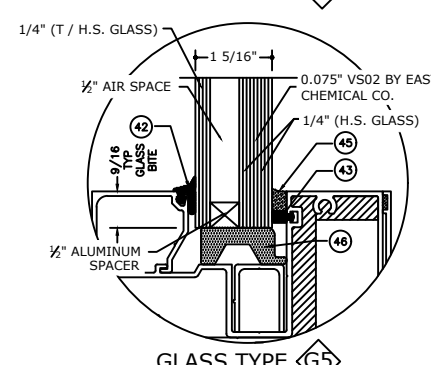
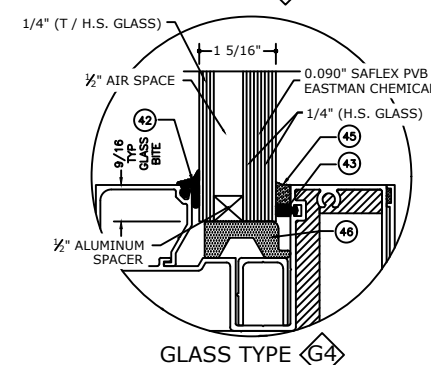
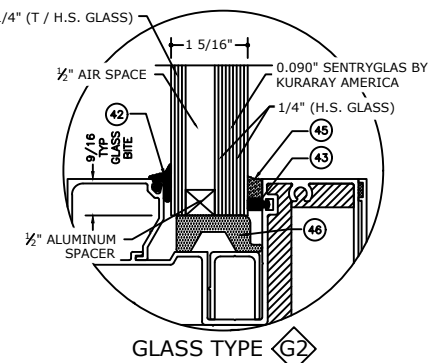
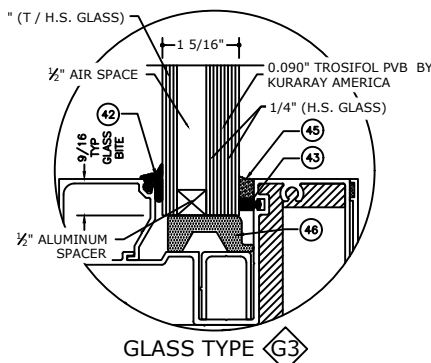
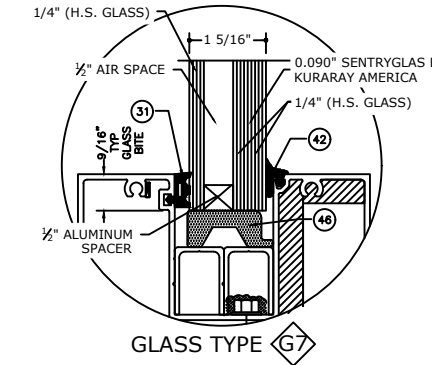
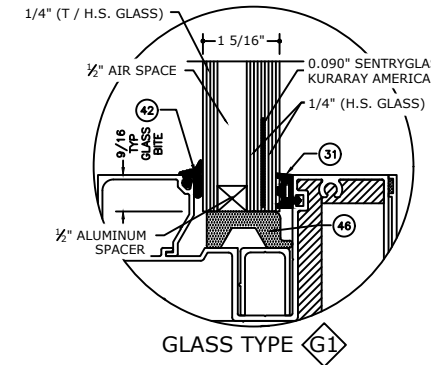
GLASS LOADING TABLES (L.M.I.)

Frank Bennardo
PE# 0046549 CA# 9885

AUGUST 31, 2022



GLASS TYPES		G1		G7		G2		G3		G4		G5	
		ALLOWABLE PRESSURE		ALLOWABLE PRESSURE		ALLOWABLE PRESSURE		ALLOWABLE PRESSURE		ALLOWABLE PRESSURE		ALLOWABLE PRESSURE	
D.L.O. HEIGHT (in)	D.L.O. WIDTH (in)	(+) P.S.F	(-) P.S.F	(+) P.S.F	(-) P.S.F	(+) P.S.F	(-) P.S.F	(+) P.S.F	(-) P.S.F	(+) P.S.F	(-) P.S.F	(+) P.S.F	(-) P.S.F
72	24	75	75	75	75	55	55	70	80	90	90		
	30	75	75	75	75	55	55	70	80	90	90		
	36	75	75	75	75	55	55	70	80	90	90		
	42	75	75	75	75	55	55	67	77	90	90		
	46	75	75	75	75	55	55	61	70	90	90		
	48	75	75	75	75	52	52	59	67	90	90		
	54	75	75	75	75	-	-	52	60	90	90		
	57 1/2	75	75	75	75	-	-	49	56	90	90		
	60	67	67	67	67	-	-	47	54	86	86		
	66	60	60	60	60	-	-	-	-	78	78		
78	24	75	75	75	75	55	55	70	80	90	90		
	30	75	75	75	75	55	55	70	80	90	90		
	36	75	75	75	75	55	55	70	80	90	90		
	42	75	75	75	75	55	55	67	77	90	90		
	46	75	75	75	75	55	55	61	70	90	90		
	48	75	75	75	75	52	52	59	67	90	90		
	54	75	75	75	75	-	-	52	60	90	90		
	57 1/2	75	75	75	75	-	-	-	-	90	90		
	60	67	67	67	67	-	-	-	-	86	86		
	66	60	60	60	60	-	-	-	-	78	78		
83	24	75	75	75	75	55	55	70	80	90	90		
	30	75	75	75	75	55	55	70	80	90	90		
	36	75	75	75	75	55	55	70	80	90	90		
	42	75	75	75	75	55	55	67	77	90	90		
	46	75	75	75	75	55	55	61	70	90	90		
	48	75	75	75	75	-	-	59	67	90	90		
	54	75	75	75	75	-	-	-	-	90	90		
	57 1/2	75	75	75	75	-	-	-	-	90	90		
	60	67	67	67	67	-	-	-	-	86	86		
	66	60	60	60	60	-	-	-	-	78	78		
96	24	75	75	75	75	55	55	70	80	90	90		
	30	75	75	75	75	55	55	70	80	90	90		
	36	75	75	75	75	55	55	70	80	90	90		
	42	75	75	75	75	-	-	67	77	90	90		
	46	75	75	75	75	-	-	-	-	90	90		
	48	75	75	75	75	-	-	-	-	90	90		
	54	75	75	75	75	-	-	-	-	90	90		
	57 1/2	75	75	75	75	-	-	-	-	90	90		
	60	-	-	-	-	-	-	-	-	86	86		
	66	-	-	-	-	-	-	-	-	78	78		



FL#20665.2

ENGINEERING EXPRESS
POSTAL ADDRESS:
401 W. ATLANTIC AVE R10 #219
DELRAY BEACH, FL 33444
ENGINEERINGEXPRESS.COM

OLDCASTLE BUILDING ENVELOPE
803 AIRPORT ROAD
TERRELL, TX 75160
(972) 551-6100
FG-5750 STOREMAX[®] NON-THERMAL
IMPACT STOREFRONT SYSTEM
WET & DRY GLAZED

REMARKS	DRWN	CHKD	DATE
INIT ISSUE	JEM	AJP	09/17/20
REVISIONS	SSO	RS	03/11/22

COPYRIGHT ENGINEERING EXPRESS[®]

20-29229g

SCALE: NTS UNLESS NOTED

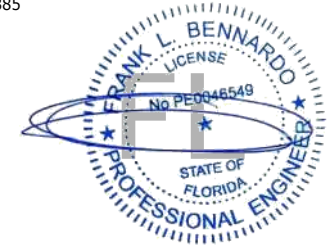
07 OF 43

c:\users\sam\engineering\express\production - documents\projects\20-29229\work\drawings & cad\fg-5750\20-29229g obe - fg-5750g 8-25-22.dwg

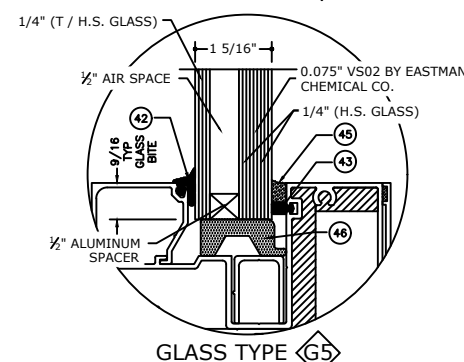
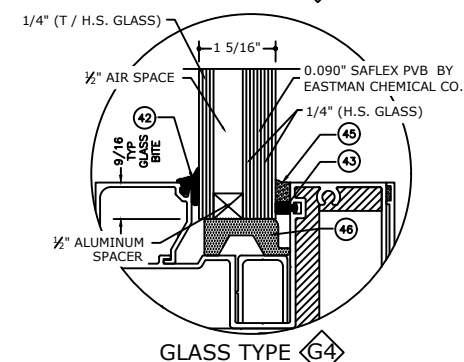
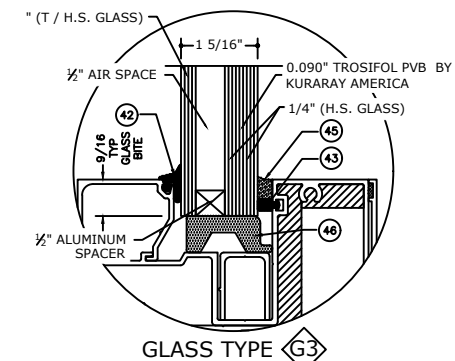
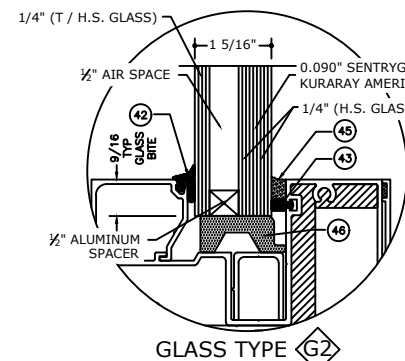
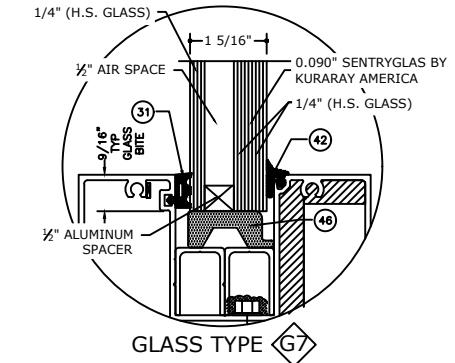
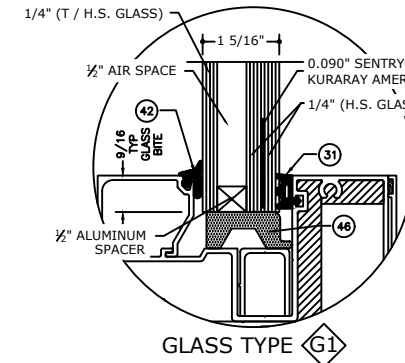
GLASS LOADING TABLES (L.M.I.)

Frank Bennardo
PE# 0046549 CA# 9885

AUGUST 31, 2022



GLASS TYPES		G1		G2		G3		G4		G5	
		ALLOWABLE PRESSURE		ALLOWABLE PRESSURE		ALLOWABLE PRESSURE		ALLOWABLE PRESSURE		ALLOWABLE PRESSURE	
D.L.O. HEIGHT (in)	D.L.O. WIDTH (in)	(+) P.S.F	(-) P.S.F	(+) P.S.F	(-) P.S.F	(+) P.S.F	(-) P.S.F	(+) P.S.F	(-) P.S.F	(+) P.S.F	(-) P.S.F
101	24	75	75	75	75	55	55	70	80	90	90
	30	75	75	75	75	55	55	70	80	90	90
	36	75	75	75	75	55	55	70	80	90	90
	42	75	75	75	75	-	-	67	77	90	90
	46	75	75	75	75	-	-	-	-	90	90
	48	75	75	75	75	-	-	-	-	90	90
	54	75	75	75	75	-	-	-	-	90	90
	57 1/2	-	-	-	-	-	-	-	-	-	90
108	24	75	75	75	75	55	55	70	80	90	90
	30	75	75	75	75	55	55	70	80	90	90
	36	75	75	75	75	-	-	70	80	90	90
	42	75	75	75	75	-	-	-	-	90	90
	46	75	75	75	75	-	-	-	-	90	90
	48	75	75	75	75	-	-	-	-	90	90
	54	-	-	-	-	-	-	-	-	90	90
	57 1/2	-	-	-	-	-	-	-	-	90	90
115	24	75	75	75	75	55	55	70	80	90	90
	30	75	75	75	75	55	55	70	80	90	90
	36	75	75	75	75	-	-	70	80	90	90
	42	75	75	75	75	-	-	-	-	90	90
	46	75	75	75	75	-	-	-	-	90	90
	48	75	75	75	75	-	-	-	-	90	90
	54	-	-	-	-	-	-	-	-	90	90
	57 1/2	-	-	-	-	-	-	-	-	90	90
120	24	75	75	75	75	55	55	70	80	90	90
	30	75	75	75	75	55	55	70	80	90	90
	36	75	75	75	75	-	-	70	80	90	90
	42	75	75	75	75	-	-	-	-	90	90
	46	75	75	75	75	-	-	-	-	90	90
	54	-	-	-	-	-	-	-	-	90	90



FL#20665.2

ENGINEERING EXPRESS
POSTAL ADDRESS:
401 W. ATLANTIC AVE R10 #219
DELRAY BEACH, FL 33444
ENGINEERINGEXPRESS.COM

OLDCASTLE BUILDING ENVELOPE
803 AIRPORT ROAD
TERRELL, TX 75160
(972) 551-6100
FG-5750 STOREMAX[®] NON-THERMAL
IMPACT STOREFRONT SYSTEM
WET & DRY GLAZED

REMARKS	DRWN	CHKD	DATE
INIT. ISSUE	JEM	AJP	09/17/20
REVISIONS	SSQ	RS	03/11/22

COPYRIGHT ENGINEERING EXPRESS[®]

20-29229g

SCALE: NTS UNLESS NOTED

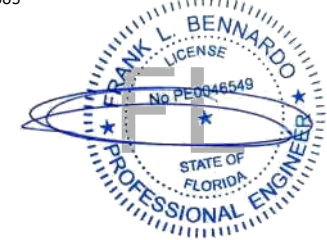
08 OF 43

c:\users\sam\engineering\express\production - documents\projects\20-29229 oldcastle - fg 5000 & fg 5100\revision order 8879\work\drawings & cad\fg-5750\20-29229g obe - fg-5750g 8-25-22.dwg 8/31/2022 2:05 PM SAM

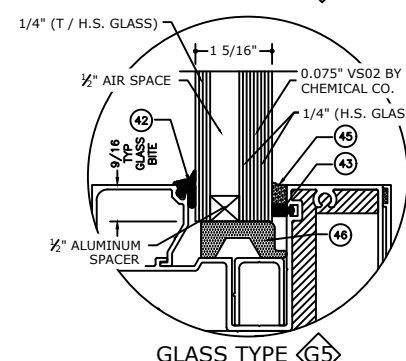
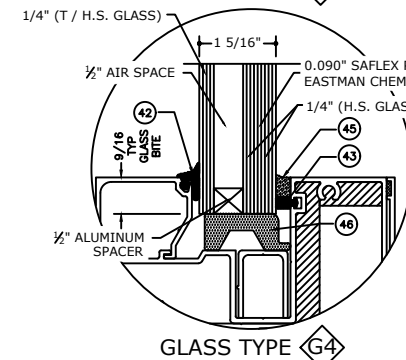
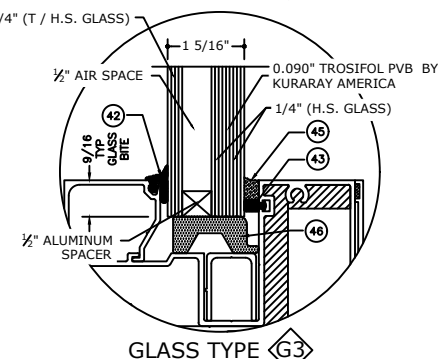
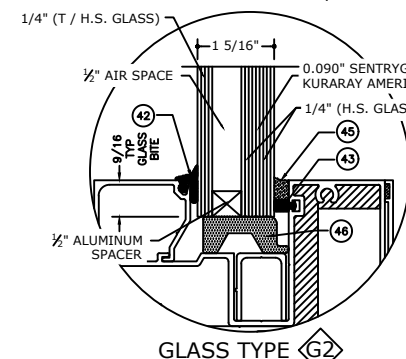
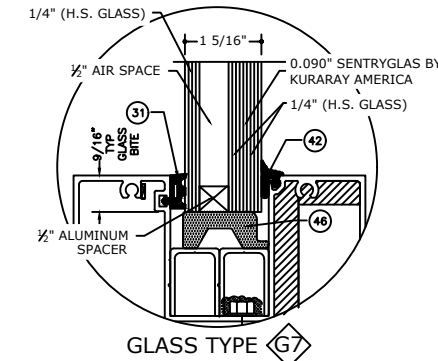
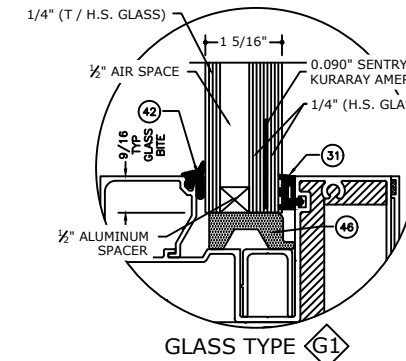
GLASS LOADING TABLES (L.M.I.)

Frank Bennardo
PE# 0046549 CA# 9885

AUGUST 31, 2022



GLASS TYPES		G1 G7		G2		G3		G4		G5	
		ALLOWABLE PRESSURE		ALLOWABLE PRESSURE		ALLOWABLE PRESSURE		ALLOWABLE PRESSURE		ALLOWABLE PRESSURE	
D.L.O. HEIGHT (in)	D.L.O. WIDTH (in)	(+) P.S.F	(-) P.S.F	(+) P.S.F	(-) P.S.F	(+) P.S.F	(-) P.S.F	(+) P.S.F	(-) P.S.F	(+) P.S.F	(-) P.S.F
126	24	75	75	75	75	55	55	70	80	90	90
	30	75	75	75	75	55	55	70	80	90	90
	36	75	75	75	75	-	-	-	-	90	90
	42	75	75	75	75	-	-	-	-	90	90
	46	-	-	-	-	-	-	-	-	90	90
132	24	75	75	75	75	55	55	70	80	90	90
	30	75	75	75	75	-	-	70	80	90	90
	36	75	75	75	75	-	-	-	-	90	90
	42	-	-	-	-	-	-	-	-	90	90
	46	-	-	-	-	-	-	-	-	90	90
144	24	75	75	75	75	55	55	70	80	90	90
	30	75	75	75	75	-	-	70	80	90	90
	36	75	75	75	75	-	-	-	-	90	90
	42	-	-	-	-	-	-	-	-	90	90



FL#20665.2

ENGINEERING EXPRESS
POSTAL ADDRESS:
401 W. ATLANTIC AVE R10 #219
DELRAY BEACH, FL 33444
ENGINEERINGEXPRESS.COM

OLDCASTLE BUILDING ENVELOPE
803 AIRPORT ROAD
TERRELL, TX 75160
(972) 551-6100
FG-5750 STOREMAX[®] NON-THERMAL
IMPACT STOREFRONT SYSTEM
WET & DRY GLAZED

REMARKS	DRWN	CHKD	DATE
INIT ISSUE	JEM	AJP	09/17/20
REVISIONS	SSO	RS	03/11/22

COPYRIGHT ENGINEERING EXPRESS[®]

20-29229g

SCALE: NTS UNLESS NOTED

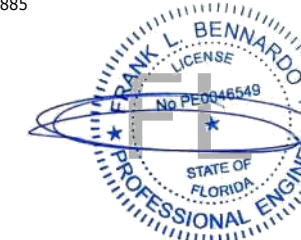
09 OF 43

c:\users\sam\engineering\express\production - documents\projects\20-29229 oldcastle - fg 5000 & fg 5100\revision order 8879\work\drawings & cad\fg-5750\20-29229g obe - fg-5750g 8-25-22.dwg 8/31/2022 2:05 PM SAM

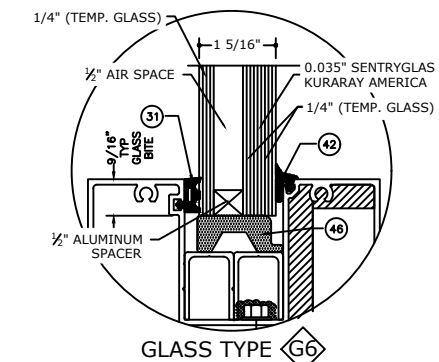
GLASS LOADING TABLES (S.M.I.)

Frank Bennardo
PE# 0046549 CA# 9885

AUGUST 31, 2022



FL#20665.2



ENGINEERING EXPRESS
POSTAL ADDRESS:
401 W. ATLANTIC AVE R10 #219
DELRAY BEACH, FL 33444
ENGINEERINGEXPRESS.COM

OLDCASTLE BUILDING ENVELOPE
803 AIRPORT ROAD
TERRELL, TX 75160
(972) 551-6100
FG-5750 STOREMAX[®] NON-THERMAL
IMPACT STOREFRONT SYSTEM
WET & DRY GLAZED

REMARKS	DRWN	CHKD	DATE
INIT. ISSUE	JEM	AJP	09/17/20
REVISIONS	SSG	RS	03/11/22

COPYRIGHT ENGINEERING EXPRESS[®]

20-29229g

SCALE: NTS UNLESS NOTED

10 OF 43

GLASS TYPES	D.L.O. HEIGHT (in)	D.L.O. WIDTH (in)	G6 ALLOWABLE PRESSURE		
			(+) P.S.F	(-) P.S.F	
24	24	24	60	60	
	30	30	60	60	
	36	36	60	60	
	42	42	60	60	
	46	46	60	60	
	48	48	60	60	
	54	54	60	60	
	57 1/2	57 1/2	60	60	
	60	60	60	60	
	66	66	60	60	
	72	72	60	60	
	78	78	60	60	
	30	24	24	60	60
		30	30	60	60
36		36	60	60	
42		42	60	60	
46		46	60	60	
48		48	60	60	
54		54	60	60	
57 1/2		57 1/2	60	60	
60		60	60	60	
66		66	60	60	
72		72	60	60	
78		78	60	60	
36		24	24	60	60
		30	30	60	60
	36	36	60	60	
	42	42	60	60	
	46	46	60	60	
	48	48	60	60	
	54	54	60	60	
	57 1/2	57 1/2	60	60	
	60	60	60	60	
	66	66	60	60	
	72	72	60	60	
	78	78	60	60	
	40.5	24	24	60	60
		30	30	60	60
36		36	60	60	
42		42	60	60	
46		46	60	60	
48		48	60	60	
54		54	60	60	
57 1/2		57 1/2	60	60	
60		60	60	60	
66		66	60	60	
72		72	60	60	
78		78	60	60	

GLASS TYPES	D.L.O. HEIGHT (in)	D.L.O. WIDTH (in)	G6 ALLOWABLE PRESSURE		
			(+) P.S.F	(-) P.S.F	
42	24	24	60	60	
	30	30	60	60	
	36	36	60	60	
	42	42	60	60	
	46	46	60	60	
	48	48	60	60	
	54	54	60	60	
	57 1/2	57 1/2	60	60	
	60	60	60	60	
	66	66	60	60	
	72	72	60	60	
	78	78	60	60	
	48	24	24	60	60
		30	30	60	60
36		36	60	60	
42		42	60	60	
46		46	59	59	
48		48	57	57	
54		54	57	57	
57 1/2		57 1/2	57	57	
60		60	57	57	
66		66	57	57	
72		72	57	57	
78		78	57	57	
54		24	24	60	60
		30	30	60	60
	36	36	60	60	
	42	42	60	60	
	46	46	59	59	
	48	48	57	57	
	54	54	51	51	
	57 1/2	57 1/2	51	51	
	60	60	51	51	
	66	66	51	51	
	72	72	51	51	
	78	78	51	51	
	60	24	24	60	60
		30	30	60	60
36		36	60	60	
42		42	60	60	
46		46	59	59	
48		48	57	57	
54		54	51	51	
57 1/2		57 1/2	47	47	
60		60	45	45	
66		66	45	45	
72		72	45	45	

GLASS TYPES	D.L.O. HEIGHT (in)	D.L.O. WIDTH (in)	G6 ALLOWABLE PRESSURE		
			(+) P.S.F	(-) P.S.F	
66	24	24	60	60	
	30	30	60	60	
	36	36	60	60	
	42	42	60	60	
	46	46	59	59	
	48	48	57	57	
	54	54	51	51	
	57 1/2	57 1/2	47	47	
	60	60	45	45	
	66	66	41	41	
	72	24	24	60	60
		30	30	60	60
		36	36	60	60
		42	42	60	60
46		46	59	59	
48		48	57	57	
54		54	51	51	
57 1/2		57 1/2	47	47	
60		60	45	45	
78		24	24	60	60
		30	30	60	60
		36	36	60	60
		42	42	60	60
		46	46	59	59
	48	48	57	57	
	54	54	51	51	
	57 1/2	57 1/2	47	47	
	83	24	24	60	60
		30	30	60	60
		36	36	60	60
		42	42	60	60
		46	46	59	59
		48	48	57	57
54		54	51	51	

c:\users\sam\engineering\express\production - documents\projects\20-29229g\oldcastle - fg 5000 & fg 5100\revision order 8879\work\drawings & cad\fg-5750\20-29229g obe - fg-5750g 8-25-22.dwg 8/31/2022 2:05 PM SAM

c:\users\sam\engineering\express\production - documents\projects\20-29229 oldcastle - fg 5000 & fg 5100\revision order 8879\work\drawings & cad\fg-5750\20-29229g obe - fg-5750g 8-25-22.dwg

GLASS LOADING TABLES (S.M.I.)

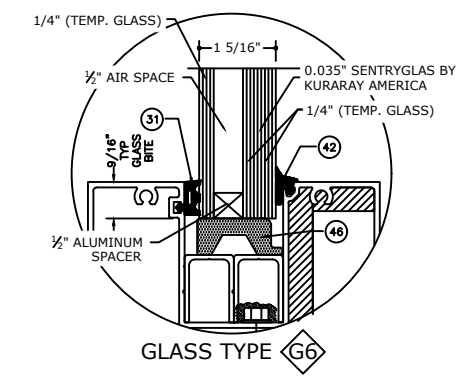
GLASS TYPES		G6	
		ALLOWABLE PRESSURE	
D.L.O. HEIGHT (in)	D.L.O. WIDTH (in)	(+) P.S.F	(-) P.S.F
96	24	60	60
	30	60	60
	36	60	60
	42	60	60
	46	59	59
101	48	57	57
	24	60	60
	30	60	60
	36	60	60
	42	60	60
108	46	60	60
	24	60	60
	30	60	60
	36	60	60
115	42	60	60
	24	60	60
	30	60	60

GLASS TYPES		G6	
		ALLOWABLE PRESSURE	
D.L.O. HEIGHT (in)	D.L.O. WIDTH (in)	(+) P.S.F	(-) P.S.F
120	24	60	60
	30	60	60
	36	60	60
126	24	60	60
	30	60	60
	36	60	60
132	24	60	60
	30	60	60
144	24	60	60
	30	60	60

Frank Bennardo
PE# 0046549 CA# 9885

AUGUST 31, 2022

FL#20665.2



ENGINEERING EXPRESS
 POSTAL ADDRESS:
 401 W. ATLANTIC AVE R10 #219
 DELRAY BEACH, FL 33444
 ENGINEERINGEXPRESS.COM

OLDCASTLE BUILDING ENVELOPE
 803 AIRPORT ROAD
 TERRELL, TX 75160
 (972) 551-6100

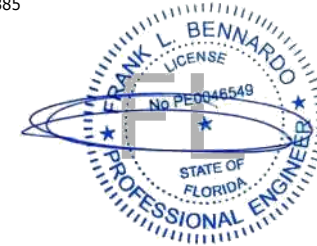
FG-5750 STOREMAX[®] NON-THERMAL
 IMPACT STOREFRONT SYSTEM
 WET & DRY GLAZED

REMARKS	DRWN	CHKD	DATE
INIT. ISSUE	JEM	AJP	09/17/20
REVISIONS	SSQ	RS	03/11/22

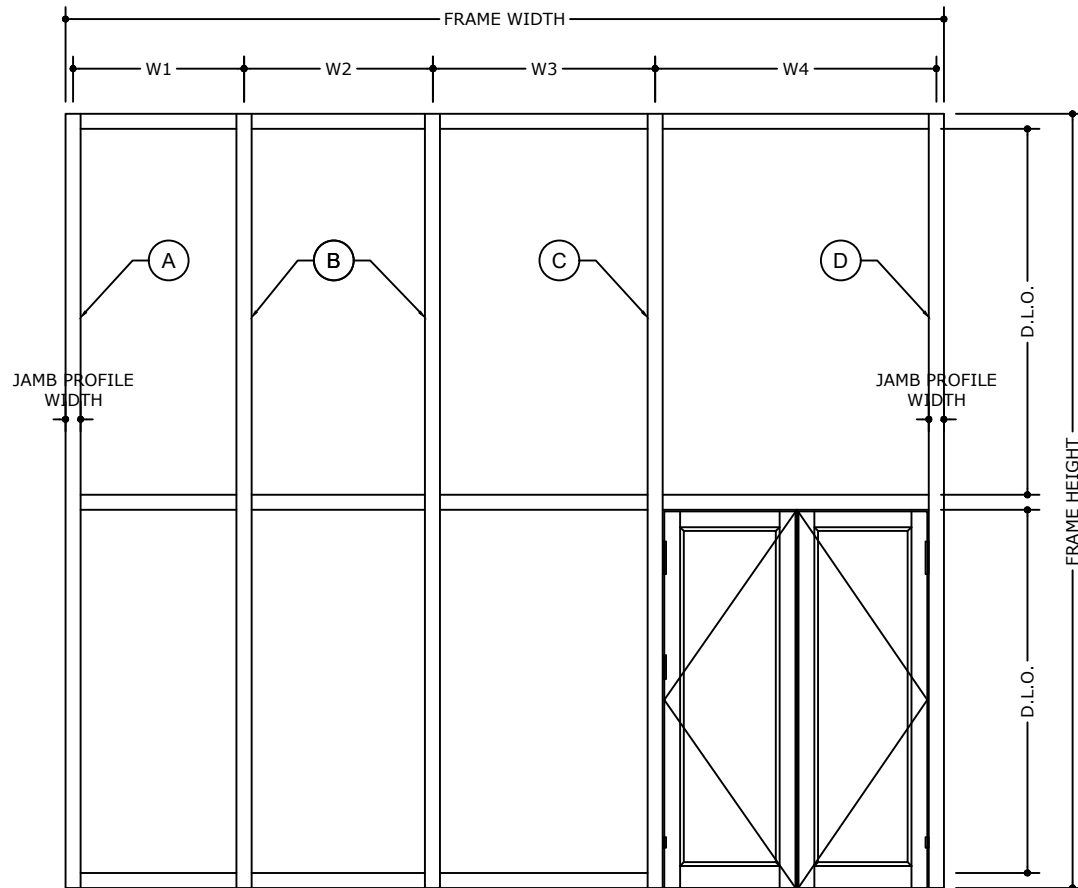
COPYRIGHT ENGINEERING EXPRESS[®]

20-29229g

SCALE: NTS UNLESS NOTED



MULLION & JAMB LOAD DETERMINATION



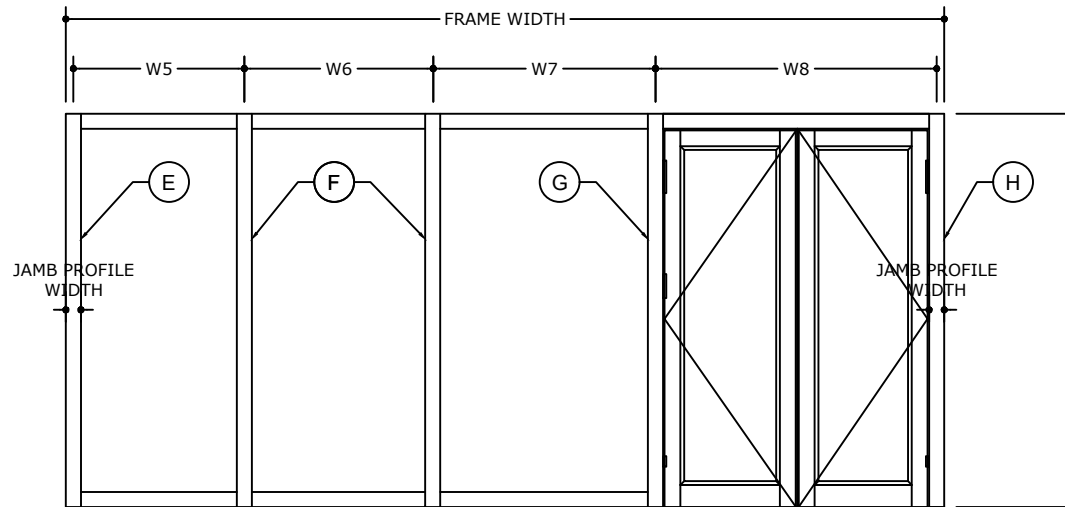
LOAD DETERMINATION

TRIBUTARY WIDTH A = $\frac{W1}{2} + \frac{\text{JAMB PROFILE WIDTH}}{2}$
(FOR STANDARD JAMB MULLION)

TRIBUTARY WIDTH B = LARGER OF $\frac{W1 + W2}{2}$ OR $\frac{W2 + W3}{2}$
(FOR STANDARD MULLION)

TRIBUTARY WIDTH C = $\frac{W3 + W4}{2}$
(FOR INTERMEDIATE DOOR MULLION)

TRIBUTARY WIDTH D = $\frac{W4}{2} + \frac{\text{JAMB PROFILE WIDTH}}{2}$
(FOR DOOR JAMB MULLION)



LOAD DETERMINATION

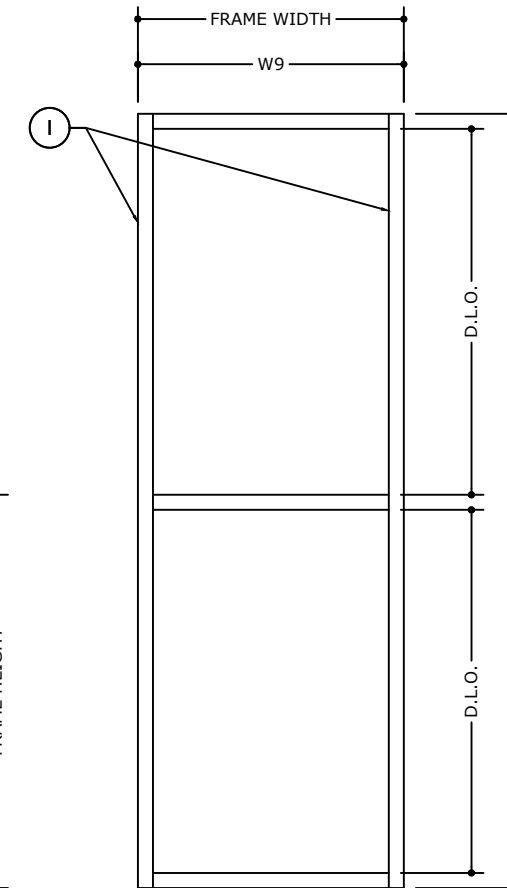
TRIBUTARY WIDTH E = $\frac{W5}{2} + \frac{\text{JAMB PROFILE WIDTH}}{2}$
(FOR STANDARD JAMB MULLION)

TRIBUTARY WIDTH F = LARGER OF $\frac{W5 + W6}{2}$ OR $\frac{W6 + W7}{2}$
(FOR STANDARD MULLION)

TRIBUTARY WIDTH G = $\frac{W7 + W8}{2}$
(FOR INTERMEDIATE DOOR MULLION)

TRIBUTARY WIDTH H = $\frac{W8}{4} + \frac{\text{JAMB PROFILE WIDTH}}{2}$
(FOR DOOR JAMB MULLION)

(A)	(E)	(I)	JAMB MULLION
(B)	(F)		STANDARD MULLION
(C)	(G)		DOOR JAMB INTERMEDIATE MULLION
(D)	(H)		DOOR JAMB MULLION



LOAD DETERMINATION

TRIBUTARY WIDTH I = $\frac{W9}{2}$
(FOR STANDARD JAMB MULLION)

FL#20665.2

ENGINEERING EXPRESS
POSTAL ADDRESS:
401 W. ATLANTIC AVE R10 #219
DELRAY BEACH, FL 33444
ENGINEERINGEXPRESS.COM

OLDCASTLE BUILDING ENVELOPE

803 AIRPORT ROAD
TERRELL, TX 75160
(972) 551-6100

FG-5750 STOREMAX[®] NON-THERMAL
IMPACT STOREFRONT SYSTEM
WET & DRY GLAZED

REMARKS	DATE	DRWN	CHKD
INIT ISSUE	09/17/20	JEM	AJP
REVISIONS	03/11/22	SSG	RS

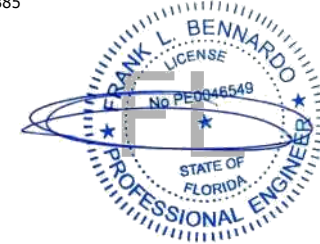
COPYRIGHT ENGINEERING EXPRESS

20-29229g

SCALE: NTS UNLESS NOTED

12 OF 43

c:\users\sam\engineering\express\production - documents\projects\20-29229 oldcastle - fg 5000 & fg 5100\revision order 8879\work\drawings & cad\fg-5750\20-29229g obe - fg-5750g 8-25-22.dwg



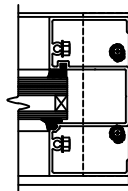
MULLION LOADING TABLES (P.S.F.)

SINGLE SPAN MULLION LOADING CHART		MULLION TYPE M1		MULLION TYPE M2		MULLION TYPE M3		MULLION TYPE M4		MULLION TYPE M5		MULLION TYPE M6		MULLION TYPE M7		MULLION TYPE M8		MULLION TYPE M9 - M10	
FRAME HEIGHT (in)	FRAME WIDTH (in)	(+) P.S.F	(-) P.S.F	(+) P.S.F	(-) P.S.F	(+) P.S.F	(-) P.S.F	(+) P.S.F	(-) P.S.F	(+) P.S.F	(-) P.S.F	(+) P.S.F	(-) P.S.F	(+) P.S.F	(-) P.S.F	(+) P.S.F	(-) P.S.F	(+) P.S.F	(-) P.S.F
66	24	70	80	70	70	70	80	55	55	90	90	70	80	70	70	55	55	75	75
	30	70	80	70	70	70	80	55	55	90	90	70	80	70	70	55	55	75	75
	36	70	80	70	70	70	80	55	55	90	90	70	80	70	70	55	55	75	75
	42	70	80	70	70	70	80	55	55	90	90	70	80	70	70	55	55	75	75
	44.75	70	80	70	70	70	80	55	55	90	90	70	80	70	70	55	55	75	75
	48	70	80	70	70	70	80	55	55	90	90	70	80	70	70	55	55	75	75
	54	70	80	70	70	70	80	55	55	90	90	70	80	70	70	55	55	75	75
	60	70	80	70	70	70	80	55	55	90	90	70	80	70	70	55	55	75	75
	66	70	80	70	70	70	80	55	55	90	90	70	80	70	70	55	55	75	75
	72	70	80	70	70	70	80	55	55	90	90	70	80	70	70	55	55	75	75
78	70	80	70	70	70	80	55	55	90	90	70	80	70	70	55	55	75	75	
72	24	70	80	70	70	70	80	55	55	90	90	70	80	70	70	55	55	75	75
	30	70	80	70	70	70	80	55	55	90	90	70	80	70	70	55	55	75	75
	36	70	80	70	70	70	80	55	55	90	90	70	80	70	70	55	55	75	75
	42	70	80	70	70	70	80	55	55	90	90	70	80	70	70	55	55	75	75
	44.75	70	80	70	70	70	80	55	55	90	90	70	80	70	70	55	55	75	75
	48	70	80	70	70	70	80	55	55	90	90	70	80	70	70	55	55	75	75
	54	70	80	70	70	70	80	55	55	90	90	70	80	70	70	55	55	75	75
	60	70	80	70	70	70	80	55	55	90	90	70	80	70	70	55	55	75	75
	66	70	80	70	70	70	80	55	55	90	90	70	80	70	70	55	55	75	75
	72	70	80	70	70	70	80	55	55	90	90	70	80	70	70	55	55	75	75
78	70	80	-	-	70	80	55	55	90	90	70	80	70	70	55	55	75	75	
78	24	70	80	70	70	70	80	55	55	90	90	70	80	70	70	55	55	75	75
	30	70	80	70	70	70	80	55	55	90	90	70	80	70	70	55	55	75	75
	36	70	80	70	70	70	80	55	55	90	90	70	80	70	70	55	55	75	75
	42	70	80	70	70	70	80	55	55	90	90	70	80	70	70	55	55	75	75
	44.75	70	80	70	70	70	80	55	55	90	90	70	80	70	70	55	55	75	75
	48	70	80	70	70	70	80	55	55	90	90	70	80	70	70	55	55	75	75
	54	70	80	70	70	70	80	55	55	90	90	70	80	70	70	55	55	75	75
	60	70	80	70	70	70	80	55	55	90	90	70	80	70	70	55	55	75	75
	66	70	80	70	70	70	80	55	55	90	90	70	80	70	70	55	55	75	75
	72	70	80	-	-	70	80	55	55	90	90	70	80	70	70	55	55	75	75
78	70	80	-	-	70	80	55	55	90	90	70	80	70	70	55	55	75	75	
84	24	70	80	70	70	70	80	55	55	90	90	70	80	70	70	55	55	75	75
	30	70	80	70	70	70	80	55	55	90	90	70	80	70	70	55	55	75	75
	36	70	80	70	70	70	80	55	55	90	90	70	80	70	70	55	55	75	75
	42	70	80	70	70	70	80	55	55	90	90	70	80	70	70	55	55	75	75
	44.75	70	80	70	70	70	80	55	55	90	90	70	80	70	70	55	55	75	75
	48	70	80	70	70	70	80	55	55	90	90	70	80	70	70	55	55	75	75
	54	70	80	70	70	70	80	55	55	90	90	70	80	70	70	55	55	75	75
	60	70	80	70	70	70	80	55	55	90	90	70	80	70	70	55	55	75	75
	66	70	80	-	-	70	80	55	55	90	90	70	80	70	70	55	55	75	75
	72	70	80	-	-	70	80	55	55	90	90	70	80	70	70	55	55	75	75
78	-	-	-	-	70	80	55	55	90	90	70	80	70	70	55	55	75	75	

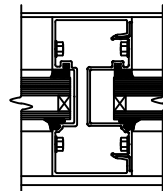
SINGLE SPAN JAMB LOADING CHART		MULLION TYPE J1	
FRAME HEIGHT (in)	FRAME WIDTH (in)	(+) P.S.F	(-) P.S.F
36	24	90	90
	30	90	90
	36	90	90
	42	90	90
	44.75	90	90
	48	90	90
	54	90	90
	60	90	90
	66	90	90
	72	90	90
48	24	90	90
	30	90	90
	36	90	90
	42	90	90
	44.75	90	90
	48	90	90
	54	90	90
	60	90	90
	66	90	90
	72	90	90
50	24	90	90
	30	90	90
	36	90	90
	42	90	90
	44.75	90	90
	48	90	90
	60	90	90
	66	90	90
	72	90	90
	78	90	90
54	24	90	90
	30	90	90
	36	90	90
	42	90	90
	44.75	90	90
	48	90	90
	60	90	90
	66	90	90
	72	90	90
	78	90	90
60	24	90	90
	30	90	90
	36	90	90
	42	90	90
	44.75	90	90
	48	90	90
	60	90	90
	66	90	90
	72	90	90
	78	90	90
64	24	90	90
	30	90	90
	36	90	90
	42	90	90
	44.75	90	90
	48	90	90
	60	90	90
	66	90	90
	72	90	90
	78	90	90
66	24	90	90
	30	90	90
	36	86	86
	42	90	90
	44.75	90	90
	48	90	90
	60	90	90
	66	90	90
	72	90	90
	78	90	90
72	24	87	87
	30	87	87
	36	77	77
	42	90	90
	44.75	90	90
	48	90	90
	60	90	90
	66	90	90
	72	90	90
	78	90	90
78	24	90	90
	30	79	79
	36	90	90
	42	90	90
	44.75	90	90
	48	90	90
	60	90	90
	66	90	90
	72	90	90
	78	90	90

NOTE: 1-FRAME WIDTHS = FRAME TRIBUTARY WIDTH 2-SPANS NOT IN THIS TABLE CAN BE ADDED UNDER SITE SPECIFIC ENGINEERING AND SHALL BE APPROVED BY THE AUTHORITY HAVING JURISDICTION (AHJ)

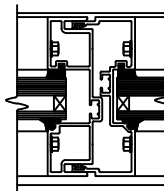
• APPLICABLE FOR UN-ANCHORED JAMB CONDITION ONLY
• JAMB TRIBUTARY SHALL BE DETERMINED PER SHEET 12 FOR SINGLE UNIT OR MULTI-UNITS STOREFRONT



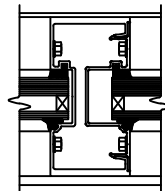
J1 DETAILS 49, 50



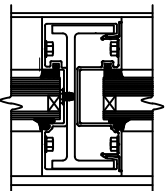
M1 DETAILS 12, 16



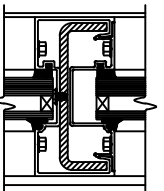
M2 DETAILS 29, 33



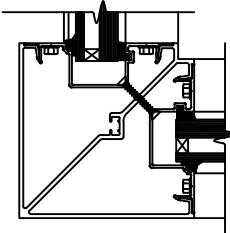
M3 DETAILS 13, 19



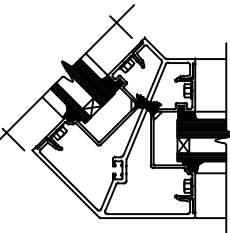
M4 DETAILS 20, 21



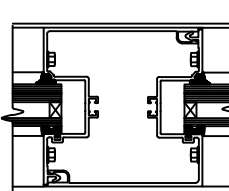
M5 DETAILS 18, 18.1



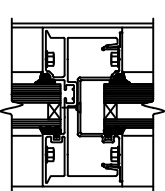
M6 DETAILS 37, 39, 46, 48



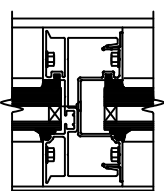
M7 DETAILS 38, 40, 42, 44



M8 DETAILS 14, 22



M9 DETAIL 13.1



M10 DETAIL 19.1

FL#20665.2

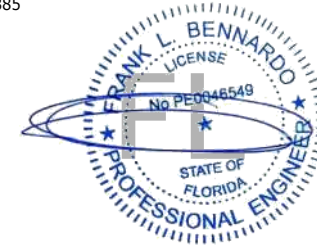
ENGINEERING EXPRESS
POSTAL ADDRESS:
401 W. ATLANTIC AVE R10 #219
DELRAY BEACH, FL 33444
ENGINEERINGEXPRESS.COM

OLDCASTLE BUILDING ENVELOPE
803 AIRPORT ROAD
TERRELL, TX 75160
(972) 551-6100
FG-5750 STOREMAX[®] NON-THERMAL
IMPACT STOREFRONT SYSTEM
WET & DRY GLAZED

DRWN	CHKD	DATE
JEM	AJP	09/17/20
SSG	RS	03/11/22

REMARKS
INITIALS
REVISIONS

20-29229g
SCALE: NTS UNLESS NOTED

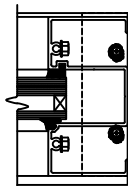


MULLION LOADING TABLES (P.S.F.)

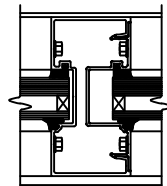
SINGLE SPAN MULLION LOADING CHART		MULLION TYPE M1		MULLION TYPE M2		MULLION TYPE M3		MULLION TYPE M4		MULLION TYPE M5		MULLION TYPE M6		MULLION TYPE M7		MULLION TYPE M8		MULLION TYPE M9 - M10	
FRAME HEIGHT (in)	FRAME WIDTH (in)	(+) P.S.F	(-) P.S.F	(+) P.S.F	(-) P.S.F	(+) P.S.F	(-) P.S.F	(+) P.S.F	(-) P.S.F	(+) P.S.F	(-) P.S.F	(+) P.S.F	(-) P.S.F	(+) P.S.F	(-) P.S.F	(+) P.S.F	(-) P.S.F	(+) P.S.F	(-) P.S.F
89	24	70	80	70	70	70	80	55	55	90	90	70	80	70	70	55	55	75	75
	30	70	80	70	70	70	80	55	55	90	90	70	80	70	70	55	55	75	75
	36	70	80	70	70	70	80	55	55	90	90	70	80	70	70	55	55	75	75
	42	70	80	70	70	70	80	55	55	90	90	70	80	70	70	55	55	75	75
	44.75	70	80	70	70	70	80	55	55	90	90	70	80	70	70	55	55	75	75
	48	70	80	70	70	70	80	55	55	90	90	70	80	70	70	55	55	75	75
	54	70	80	70	70	70	80	55	55	90	90	70	80	70	70	55	55	75	75
	60	70	80	-	-	70	80	55	55	90	90	70	80	70	70	55	55	75	75
	66	66	75	-	-	70	80	55	55	90	90	70	80	70	70	55	55	75	75
	72	63	72	-	-	70	80	55	55	90	90	70	80	70	70	55	55	75	75
78	-	-	-	-	70	80	-	-	90	90	-	-	-	-	-	-	75	75	
96	24	70	80	70	70	70	80	55	55	90	90	70	80	70	70	55	55	75	75
	30	70	80	70	70	70	80	55	55	90	90	70	80	70	70	55	55	75	75
	36	70	80	70	70	70	80	55	55	90	90	70	80	70	70	55	55	75	75
	42	70	80	70	70	70	80	55	55	90	90	70	80	70	70	55	55	75	75
	44.75	70	80	70	70	70	80	55	55	90	90	70	80	70	70	55	55	75	75
	48	69	79	70	70	70	80	55	55	90	90	70	80	70	70	55	55	75	75
	54	63	72	70	70	70	80	55	55	90	90	70	80	70	70	55	55	75	75
	60	58	67	-	-	70	80	55	55	90	90	70	80	70	70	55	55	75	75
	66	55	62	-	-	70	80	55	55	90	90	70	80	70	70	55	55	75	75
	72	-	-	-	-	69	78	55	55	90	90	70	80	-	-	55	55	75	75
78	-	-	-	-	-	-	-	-	-	90	90	-	-	-	-	-	-	75	75
102	24	70	80	70	70	70	80	55	55	90	90	70	80	70	70	55	55	75	75
	30	70	80	70	70	70	80	55	55	90	90	70	80	70	70	55	55	75	75
	36	70	80	70	70	70	80	55	55	90	90	70	80	70	70	55	55	75	75
	42	68	78	70	70	70	80	55	55	90	90	70	80	70	70	55	55	75	75
	44.75	64	74	70	70	70	80	55	55	90	90	70	80	70	70	55	55	75	75
	48	61	69	70	70	70	80	55	55	90	90	70	80	70	70	55	55	75	75
	54	55	63	-	-	70	80	55	55	90	90	70	80	70	70	55	55	75	75
	60	51	58	-	-	68	78	55	55	90	90	70	80	70	70	55	55	75	75
	66	-	-	-	-	63	73	55	55	90	90	70	80	70	70	55	55	75	75
	72	-	-	-	-	-	-	-	-	-	90	90	-	-	-	-	-	-	75
78	-	-	-	-	-	-	-	-	-	87	90	-	-	-	-	-	-	-	-
108	24	70	80	70	70	70	80	55	55	90	90	70	80	70	70	55	55	75	75
	30	70	80	70	70	70	80	55	55	90	90	70	80	70	70	55	55	75	75
	36	69	79	70	70	70	80	55	55	90	90	70	80	70	70	55	55	75	75
	42	60	69	70	70	70	80	55	55	90	90	70	80	70	70	55	55	75	75
	44.75	57	65	70	70	70	80	55	55	90	90	70	80	70	70	55	55	75	75
	48	53	61	70	70	70	79	55	55	90	90	70	80	70	70	55	55	75	75
	54	48	55	70	70	65	72	55	55	90	90	70	80	70	70	55	55	75	75
	60	44	51	70	70	60	66	55	55	90	90	70	80	70	70	55	55	75	75
	66	-	-	-	-	56	62	-	-	86	90	-	-	-	-	-	-	75	75
	72	-	-	-	-	-	-	-	-	82	90	-	-	-	-	-	-	75	75
78	-	-	-	-	-	-	-	-	79	90	-	-	-	-	-	-	-	-	-

NOTE: 1-FRAME WIDTHS = FRAME TRIBUTARY WIDTH 2-SPANS NOT IN THIS TABLE CAN BE ADDED UNDER SITE SPECIFIC ENGINEERING AND SHALL BE APPROVED BY THE AUTHORITY HAVING JURISDICTION (AHJ)

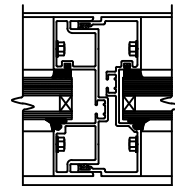
- APPLICABLE FOR UN-ANCHORED JAMB CONDITION ONLY
- JAMB TRIBUTARY SHALL BE DETERMINED PER SHEET 12 FOR SINGLE UNIT OR MULTI-UNITS STOREFRONT



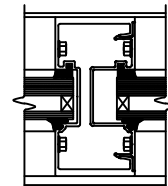
J1
DETAILS
49, 50



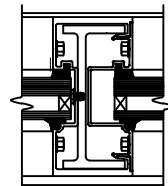
M1
DETAILS
12, 16



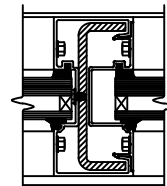
M2
DETAILS
29, 33



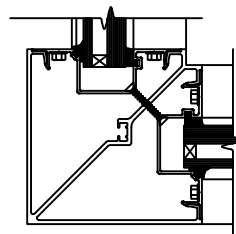
M3
DETAILS
13, 19



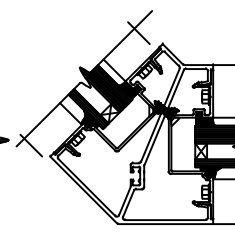
M4
DETAILS
20, 21



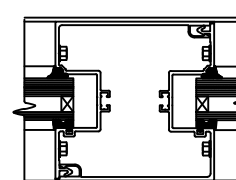
M5
DETAILS
18, 18.1



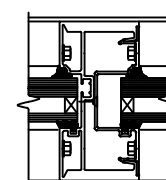
M6
DETAILS
37, 39, 46, 48



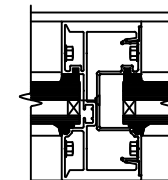
M7
DETAILS
38, 40, 42, 44



M8
DETAILS
14, 22



M9
DETAIL
13.1



M10
DETAIL
19.1

SINGLE SPAN JAMB LOADING CHART		MULLION TYPE J1	
FRAME HEIGHT (in)	FRAME WIDTH (in)	(+) P.S.F	(-) P.S.F
84	24	86	86
	30	90	90
89	24	81	81
96	24	74	74
102	24	69	69
108	24	65	65

FL#20665.2

ENGINEERING EXPRESS
POSTAL ADDRESS:
401 W. ATLANTIC AVE R10 #219
DELRAY BEACH, FL 33444
ENGINEERINGEXPRESS.COM

OLDCASTLE BUILDING ENVELOPE
803 AIRPORT ROAD
TERRELL, TX 75160
(972) 551-6100
FG-5750 STOREMAX[®] NON-THERMAL
IMPACT STOREFRONT SYSTEM
WET & DRY GLAZED

DRWN	CHKD	DATE
JEM	AJP	09/17/20
SSG	RS	03/11/22

REMARKS
INIT ISSUE
REVISIONS

INITIALS

COPYRIGHT ENGINEERING EXPRESS[®]

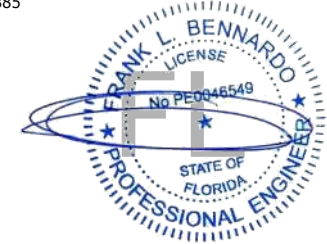
20-29229g

SCALE: NTS UNLESS NOTED

MULLION LOADING TABLES (P.S.F.)

Frank Bennardo
PE# 0046549 CA# 9885

AUGUST 31, 2022



SINGLE SPAN MULLION LOADING CHART		MULLION TYPE M2		MULLION TYPE M3		MULLION TYPE M4		MULLION TYPE M5		MULLION TYPE M6		MULLION TYPE M7		MULLION TYPE M8		MULLION TYPE M9 - M10		
FRAME HEIGHT (in)	FRAME WIDTH (in)	(+) P.S.F	(-) P.S.F	(+) P.S.F	(-) P.S.F	(+) P.S.F	(-) P.S.F	(+) P.S.F	(-) P.S.F	(+) P.S.F	(-) P.S.F	(+) P.S.F	(-) P.S.F	(+) P.S.F	(-) P.S.F	(+) P.S.F	(-) P.S.F	
109	24	70	70	70	80	55	55	90	90	70	80	70	70	55	55	75	75	
	30	70	70	70	80	55	55	90	90	70	80	70	70	55	55	75	75	
	36	70	70	70	80	55	55	90	90	70	80	70	70	55	55	75	75	
	42	70	70	70	80	55	55	90	90	70	80	70	70	55	55	75	75	
	44.75	70	70	70	80	55	55	90	90	70	80	70	70	55	55	75	75	
	48	70	70	70	79	55	55	90	90	70	80	70	70	55	55	75	75	
	54	70	70	65	72	55	55	90	90	70	80	70	70	55	55	75	75	
	60	70	70	60	66	55	55	90	90	70	80	70	70	55	55	75	75	
	66	-	-	56	62	-	-	86	90	-	-	-	-	-	-	74	74	
	72	-	-	-	-	-	-	82	90	-	-	-	-	-	-	-	-	-
78	-	-	-	-	-	-	79	90	-	-	-	-	-	-	-	-	-	
114	24	-	-	70	80	55	55	90	90	70	80	-	-	55	55	75	75	
	30	-	-	70	80	55	55	90	90	70	80	-	-	55	55	75	75	
	36	-	-	70	80	55	55	90	90	70	80	-	-	55	55	75	75	
	42	-	-	70	75	55	55	90	90	70	80	-	-	55	55	75	75	
	44.75	-	-	68	71	55	55	90	90	70	80	-	-	55	55	75	75	
	48	-	-	64	67	55	55	90	90	70	80	-	-	55	55	75	75	
	54	-	-	58	61	55	55	90	90	70	80	-	-	55	55	75	75	
	60	-	-	53	56	55	55	85	90	70	80	-	-	55	55	73	73	
	66	-	-	-	-	-	-	80	90	-	-	-	-	-	-	69	69	
	72	-	-	-	-	-	-	76	87	-	-	-	-	-	-	-	-	-
120	24	-	-	70	80	55	55	90	90	70	80	-	-	55	55	75	75	
	30	-	-	70	80	55	55	90	90	70	80	-	-	55	55	75	75	
	36	-	-	70	74	55	55	90	90	70	80	-	-	55	55	75	75	
	42	-	-	65	64	55	55	90	90	70	80	-	-	55	55	75	75	
	44.75	-	-	61	60	55	55	90	90	70	80	-	-	55	55	75	75	
	48	-	-	57	57	55	55	90	90	70	80	-	-	55	55	75	75	
	54	-	-	52	51	55	55	85	90	70	80	-	-	55	55	70	70	
	60	-	-	47	47	-	-	79	90	70	80	-	-	-	-	68	68	
	66	-	-	-	-	-	-	74	85	-	-	-	-	-	-	-	-	-
	72	-	-	-	-	-	-	71	81	-	-	-	-	-	-	-	-	-
126	24	-	-	-	-	55	55	90	90	70	80	-	-	55	55	75	75	
	30	-	-	-	-	55	55	90	90	70	80	-	-	55	55	75	75	
	36	-	-	-	-	55	55	90	90	70	80	-	-	55	55	75	75	
	42	-	-	-	-	55	55	90	90	70	80	-	-	55	55	75	75	
	44.75	-	-	-	-	55	55	90	90	70	80	-	-	55	55	75	75	
	48	-	-	-	-	55	55	87	90	70	80	-	-	55	55	68	68	
	54	-	-	-	-	55	55	80	90	70	78	-	-	55	55	62	62	
	60	-	-	-	-	-	-	73	84	-	-	-	-	-	-	-	-	-
	66	-	-	-	-	-	-	68	78	-	-	-	-	-	-	-	-	-

FL#20665.2

ENGINEERING EXPRESS
 POSTAL ADDRESS:
 401 W. ATLANTIC AVE R10 #219
 DELRAY BEACH, FL 33444
 ENGINEERINGEXPRESS.COM

OLDCASTLE BUILDING ENVELOPE
 803 AIRPORT ROAD
 TERRELL, TX 75160
 (972) 551-6100
 FG-5750 STOREMAX[®] NON-THERMAL
 IMPACT STOREFRONT SYSTEM
 WET & DRY GLAZED

DRWN	CHKD	DATE
JEM	AJP	09/17/20
SSG	RS	03/11/22

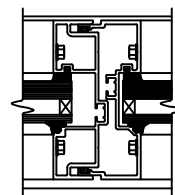
REMARKS
 INIT ISSUE
 REVISIONS

COPYRIGHT ENGINEERING EXPRESS[®]
 20-29229g

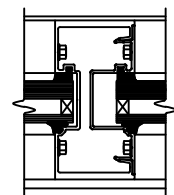
SCALE: NTS UNLESS NOTED

15 OF 43

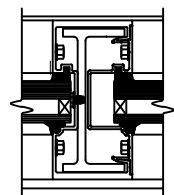
NOTE: FRAME WIDTHS = FRAME TRIBUTARY WIDTH
 NOTE: SPANS NOT IN THIS TABLE CAN BE ADDED UNDER SITE SPECIFIC ENGINEERING AND SHALL BE APPROVED BY THE AUTHORITY HAVING JURISDICTION (AHJ)



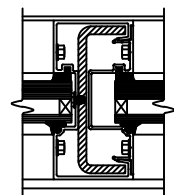
M2
DETAILS
29, 33



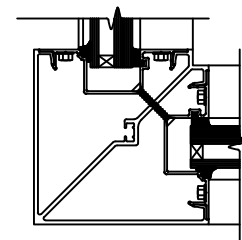
M3
DETAILS
13, 19



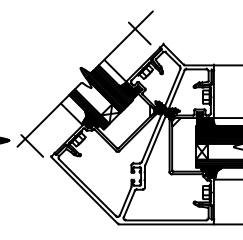
M4
DETAILS
20, 21



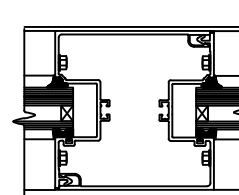
M5
DETAILS
18, 18.1



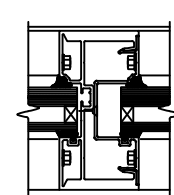
M6
DETAILS
37, 39, 46, 48



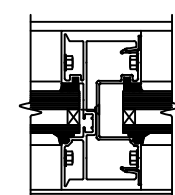
M7
DETAILS
38, 40, 42, 44



M8
DETAILS
14, 22



M9
DETAIL
13.1

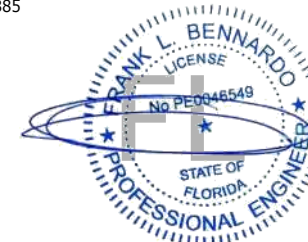


M10
DETAIL
19.1

MULLION LOADING TABLES (P.S.F.)

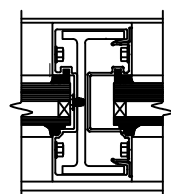
Frank Bennardo
PE# 0046549 CA# 9885

AUGUST 31, 2022



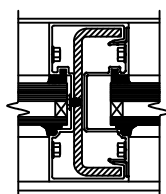
SINGLE SPAN MULLION LOADING CHART		MULLION TYPE M4		MULLION TYPE M5		MULLION TYPE M6		MULLION TYPE M7		MULLION TYPE M8		MULLION TYPE M9 - M10	
FRAME HEIGHT (in)	FRAME WIDTH (in)	(+) P.S.F	(-) P.S.F	(+) P.S.F	(-) P.S.F	(+) P.S.F	(-) P.S.F	(+) P.S.F	(-) P.S.F	(+) P.S.F	(-) P.S.F	(+) P.S.F	(-) P.S.F
132	24	55	55	90	90	70	80	-	-	55	55	75	75
	30	55	55	90	90	70	80	-	-	55	55	75	75
	36	55	55	90	90	70	80	-	-	55	55	75	75
	42	55	55	90	90	70	80	-	-	55	55	75	75
	44.75	55	55	86	90	70	80	-	-	55	55	73	73
	48	55	55	81	90	70	75	-	-	55	55	69	69
	54	-	-	73	83	-	-	-	-	-	-	62	62
	60	-	-	66	76	-	-	-	-	-	-	-	-
66	-	-	61	70	-	-	-	-	-	-	-	-	
138	24	55	55	90	90	70	80	-	-	55	55	75	75
	30	55	55	90	90	70	80	-	-	55	55	75	75
	36	55	55	90	90	70	80	-	-	55	55	75	75
	42	55	55	84	90	70	80	-	-	55	55	70	70
	44.75	55	55	79	90	70	74	-	-	55	55	66	66
	48	55	55	74	84	65	65	-	-	55	55	62	62
	54	-	-	66	76	-	-	-	-	-	-	56	56
	60	-	-	60	69	-	-	-	-	-	-	-	-
144	24	55	55	90	90	70	80	-	-	55	55	75	75
	30	55	55	90	90	70	80	-	-	55	55	75	75
	36	55	55	89	90	70	75	-	-	55	55	71	71
	42	55	55	76	87	65	65	-	-	55	55	62	62
	44.75	55	55	72	82	61	61	-	-	55	55	58	58
	48	55	55	67	77	57	57	-	-	55	55	54	54
	54	-	-	61	69	-	-	-	-	-	-	49	49
	60	-	-	55	63	-	-	-	-	-	-	-	-
146	24	-	-	-	-	-	-	-	-	-	-	75	75
	30	-	-	-	-	-	-	-	-	-	-	75	75
	36	-	-	-	-	-	-	-	-	-	-	68	68
	42	-	-	-	-	-	-	-	-	-	-	59	59
	44.75	-	-	-	-	-	-	-	-	-	-	56	56
	48	-	-	-	-	-	-	-	-	-	-	52	52

SINGLE SPAN MULLION LOADING CHART		MULLION TYPE M11	
FRAME HEIGHT (in)	FRAME WIDTH (in)	(+) P.S.F	(-) P.S.F
120.375	73.25	70	80
146.00	66.00	70	70



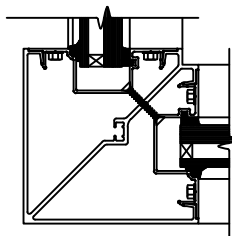
M4

DETAILS
20, 21



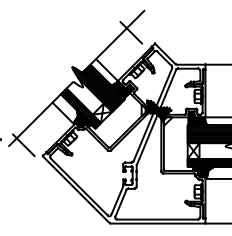
M5

DETAILS
18, 18.1



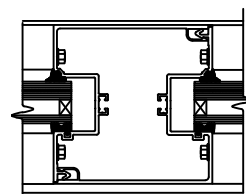
M6

DETAILS
37, 39, 46, 48



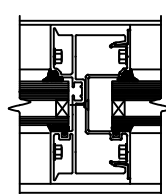
M7

DETAILS
38, 40, 42, 44



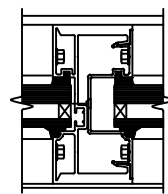
M8

DETAILS
14, 22



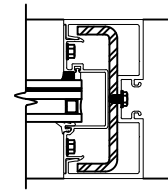
M9

DETAIL
13.1



M10

DETAIL
19.1



M11

DETAIL
13.2 & 13.3

NOTE: FRAME WIDTHS = FRAME TRIBUTARY WIDTH

NOTE: SPANS NOT IN THIS TABLE CAN BE ADDED UNDER SITE SPECIFIC ENGINEERING AND SHALL BE APPROVED BY THE AUTHORITY HAVING JURISDICTION (AHJ)

FL#20665.2

ENGINEERING EXPRESS
POSTAL ADDRESS:
401 W. ATLANTIC AVE R10 #219
DELRAY BEACH, FL 33444
ENGINEERINGEXPRESS.COM

OLDCASTLE BUILDING ENVELOPE
803 AIRPORT ROAD
TERRELL, TX 75160
(972) 551-6100

FG-5750 STOREMAX[®] NON-THERMAL
IMPACT STOREFRONT SYSTEM
WET & DRY GLAZED

REMARKS	DRWN	CHKD	DATE
INIT ISSUE	JEM	AJP	09/17/20
REVISIONS	SSG	RS	03/11/22

COPYRIGHT ENGINEERING EXPRESS[®]

20-29229g

SCALE: NTS UNLESS NOTED

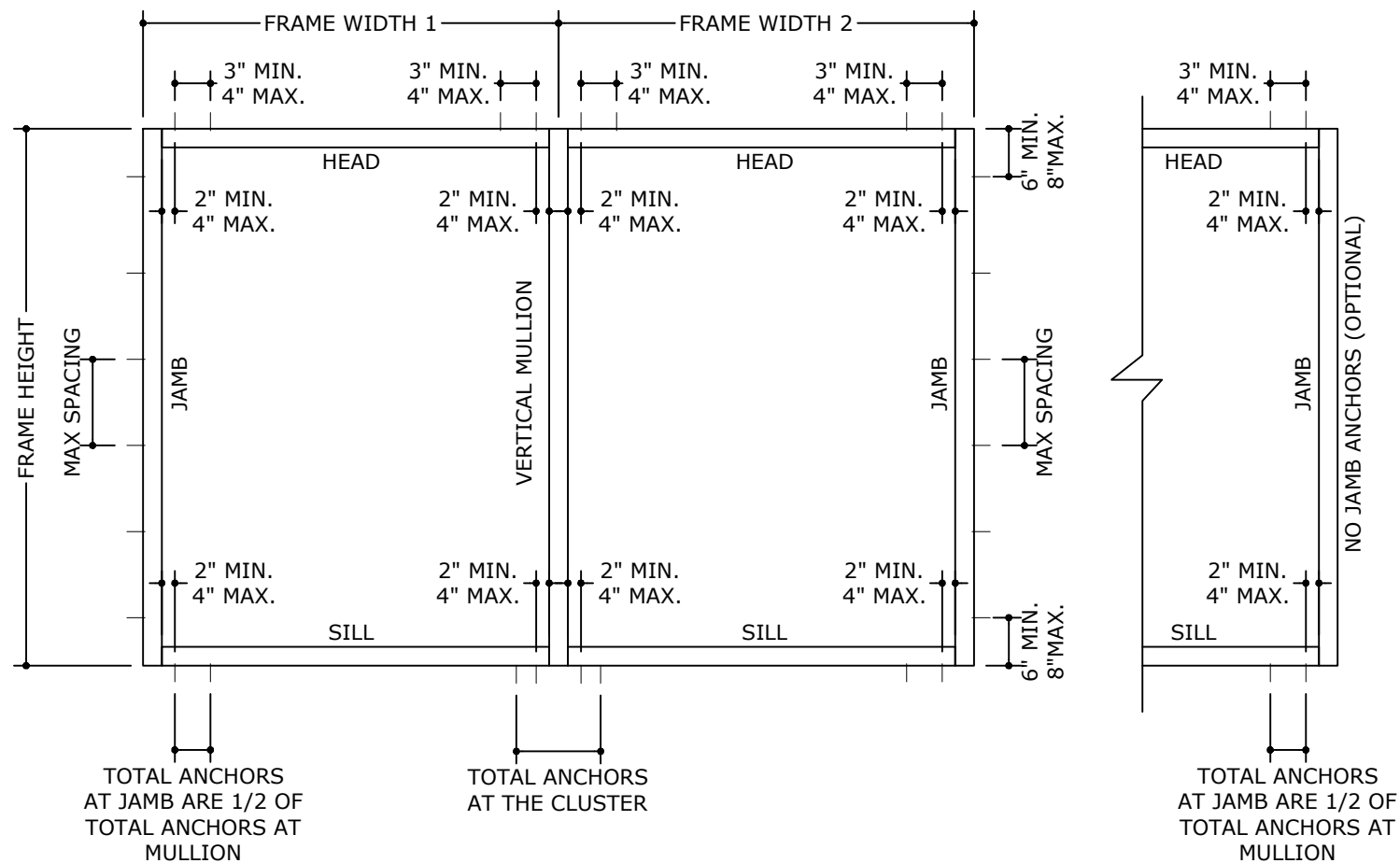
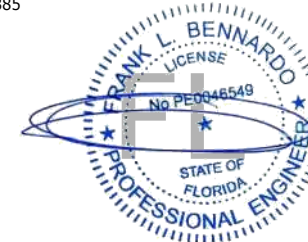
16 OF 43

c:\users\sam\engineering\express\production - documents\projects\20-29229 oldcastle - fg 5000 & fg 5100\revision order 8879\work\drawings & cad\fg-5750\20-29229g obe - fg-5750g 8-25-22.dwg

FASTENER SCHEDULE

Frank Bennardo
PE# 0046549 CA# 9885

AUGUST 31, 2022



FL#20665.2



POSTAL ADDRESS:
401 W. ATLANTIC AVE R10 #219
DELRAY BEACH, FL 33444
ENGINEERINGEXPRESS.COM

OLDCASTLE BUILDING ENVELOPE®

803 AIRPORT ROAD
TERRELL, TX 75160
(972) 551-6100

FG-5750 STOREMAX® NON-THERMAL
IMPACT STOREFRONT SYSTEM
WET & DRY GLAZED

FASTENER SCHEDULE

ANCHOR TYPE	ANCHOR DIAMETER	TYPE	MANUFACTURER	SUBSTRATE	MIN EMBEDMENT (IN)	MIN EDGE DISTANCE (IN)	SPACING (IN)
A	1/4"	ULTRACON+ ANCHOR	DEWALT	POURED CONCRETE 3000 PSI MIN	1-3/4	2-1/2	3" MIN. 4" MAX.
B	1/4"-14	DRIL-FLEX HEX WASHER HEAD SELF DRILLING SCREW	DEWALT	16 GA MIN. STUD ASTM A-653 GRADE 33 STEEL	FULL	1-1/2	3" MIN. 4" MAX.
				1/8" STEEL-A36			
				1/8" ALUMINUM-6063-T6			
C	1/4"	ULTRACON+ ANCHOR OR LAG SCREW	DEWALT	2X WOOD BUCK G=0.55	1-1/2	1-1/2	3" MIN. 4" MAX.
D	1/4"	ULTRACON+ ANCHOR	DEWALT	GROUT FILLED MASONRY WALLS 1500 PSI MIN	1-1/2	1-1/2	4" MIN.

REMARKS
INIT. ISSUE
REVISIONS

COPYRIGHT ENGINEERING EXPRESS®

20-29229g

SCALE: NTS UNLESS NOTED

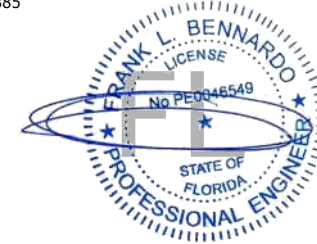
17

OF 43

MAXIMUM ALLOWABLE STRESS DESIGN PRESSURE RATING FOR STANDARD MULLIONS WITH HEAD, SILL AND JAMB CONNECTIONS-ANCHOR TYPE A

Frank Bennardo
PE# 0046549 CA# 9885

AUGUST 31, 2022



FRAME HEIGHT (IN)	TRIBUTARY WIDTH (IN)	TOTAL NUMBER OF ANCHORS AT THE CLUSTER-ANCHOR TYPE A							
		2		4		6		8	
		MAX PRESSURE (PSF)	JAMBS MAX ANCHOR SPACING (IN)	MAX PRESSURE (PSF)	JAMBS MAX ANCHOR SPACING (IN)	MAX PRESSURE (PSF)	JAMBS MAX ANCHOR SPACING (IN)	MAX PRESSURE (PSF)	JAMBS MAX ANCHOR SPACING (IN)
36	24	90	18"O.C.	90	18"O.C.	90	18"O.C.	90	18"O.C.
	36	90	18"O.C.	90	18"O.C.	90	18"O.C.	90	18"O.C.
	48	75	18"O.C.	90	18"O.C.	90	18"O.C.	90	18"O.C.
	60	60	18"O.C.	90	18"O.C.	90	18"O.C.	90	18"O.C.
	72	50	18"O.C.	90	18"O.C.	90	18"O.C.	90	18"O.C.
	78	46	18"O.C.	90	18"O.C.	90	18"O.C.	90	18"O.C.
48	24	90	24"O.C.	90	24"O.C.	90	24"O.C.	90	24"O.C.
	36	75	24"O.C.	90	24"O.C.	90	24"O.C.	90	24"O.C.
	48	56	24"O.C.	90	24"O.C.	90	24"O.C.	90	24"O.C.
	60	45	24"O.C.	90	24"O.C.	90	24"O.C.	90	24"O.C.
	72	37	24"O.C.	75	24"O.C.	90	16"O.C.	90	16"O.C.
	78	34	24"O.C.	69	24"O.C.	90	16"O.C.	90	16"O.C.
60	24	90	30"O.C.	90	30"O.C.	90	30"O.C.	90	30"O.C.
	36	60	30"O.C.	90	30"O.C.	90	30"O.C.	90	30"O.C.
	48	45	30"O.C.	90	30"O.C.	90	30"O.C.	90	30"O.C.
	60	36	30"O.C.	72	30"O.C.	90	20"O.C.	90	20"O.C.
	72	30	30"O.C.	60	30"O.C.	90	20"O.C.	90	20"O.C.
	78	27	30"O.C.	55	30"O.C.	83	20"O.C.	90	15"O.C.
72	24	75	36"O.C.	90	36"O.C.	90	36"O.C.	90	36"O.C.
	36	50	36"O.C.	90	36"O.C.	90	36"O.C.	90	36"O.C.
	48	37	36"O.C.	75	36"O.C.	90	24"O.C.	90	24"O.C.
	60	30	36"O.C.	60	36"O.C.	90	24"O.C.	90	24"O.C.
	72	25	36"O.C.	50	36"O.C.	75	24"O.C.	90	18"O.C.
	78	23	36"O.C.	46	36"O.C.	69	24"O.C.	90	18"O.C.

FL#20665.2

ENGINEERING EXPRESS
 POSTAL ADDRESS:
 401 W. ATLANTIC AVE R10 #219
 DELRAY BEACH, FL 33444
 ENGINEERINGEXPRESS.COM

OLDCASTLE BUILDING ENVELOPE
 803 AIRPORT ROAD
 TERRELL, TX 75160
 (972) 551-6100

FG-5750 STOREMAX[®] NON-THERMAL
 IMPACT STOREFRONT SYSTEM
 WET & DRY GLAZED

REMARKS	DRWN	CHKD	DATE
INIT. ISSUE	JEM	AJP	09/17/20
REVISIONS	SSG	RS	03/11/22

COPYRIGHT ENGINEERING EXPRESS[®]

20-29229g

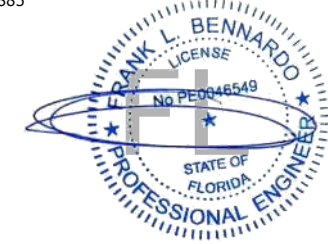
SCALE: NTS UNLESS NOTED

c:\users\sam\engineering\express\production - documents\projects\20-29229 oldcastle - fg 5000 & fg 5100\revision order 8879\work\drawings & cad\fg-5750\20-29229g obe - fg-5750g 8-25-22.dwg

MAXIMUM ALLOWABLE STRESS DESIGN PRESSURE RATING FOR STANDARD MULLIONS WITH HEAD, SILL AND JAMB CONNECTIONS-ANCHOR TYPE A

Frank Bennardo
PE# 0046549 CA# 9885

AUGUST 31, 2022



FRAME HEIGHT (IN)	TRIBUTARY WIDTH (IN)	TOTAL NUMBER OF ANCHORS AT THE CLUSTER-ANCHOR TYPE A													
		2		4		6		8		10		12		16	
		MAX PRESSURE (PSF)	JAMBS MAX ANCHOR SPACING (IN)	MAX PRESSURE (PSF)	JAMBS MAX ANCHOR SPACING (IN)	MAX PRESSURE (PSF)	JAMBS MAX ANCHOR SPACING (IN)	MAX PRESSURE (PSF)	JAMBS MAX ANCHOR SPACING (IN)	MAX PRESSURE (PSF)	JAMBS MAX ANCHOR SPACING (IN)	MAX PRESSURE (PSF)	JAMBS MAX ANCHOR SPACING (IN)	MAX PRESSURE (PSF)	JAMBS MAX ANCHOR SPACING (IN)
84	24	64	42"O.C.	90	42"O.C.	90	42"O.C.	90	42"O.C.	90	42"O.C.	90	42"O.C.	90	42"O.C.
	36	42	42"O.C.	85	42"O.C.	90	28"O.C.	90	28"O.C.	90	28"O.C.	90	28"O.C.	90	28"O.C.
	48	32	42"O.C.	64	42"O.C.	90	28"O.C.	90	28"O.C.	90	28"O.C.	90	28"O.C.	90	28"O.C.
	60	25	42"O.C.	51	42"O.C.	77	28"O.C.	90	21"O.C.	90	21"O.C.	90	21"O.C.	90	21"O.C.
	72	21	42"O.C.	42	42"O.C.	64	28"O.C.	85	21"O.C.	90	17"O.C.	90	17"O.C.	90	17"O.C.
	78	19	42"O.C.	39	42"O.C.	59	28"O.C.	79	21"O.C.	90	17"O.C.	90	17"O.C.	90	17"O.C.
96	24	56	48"O.C.	90	48"O.C.	90	48"O.C.	90	48"O.C.	90	48"O.C.	90	48"O.C.	90	48"O.C.
	36	37	48"O.C.	75	48"O.C.	90	32"O.C.	90	32"O.C.	90	32"O.C.	90	32"O.C.	90	32"O.C.
	48	28	48"O.C.	56	48"O.C.	84	32"O.C.	90	24"O.C.	90	24"O.C.	90	24"O.C.	90	24"O.C.
	60	22	48"O.C.	45	48"O.C.	67	32"O.C.	90	24"O.C.	90	24"O.C.	90	24"O.C.	90	24"O.C.
	72	18	48"O.C.	37	48"O.C.	56	32"O.C.	75	24"O.C.	90	19"O.C.	90	19"O.C.	90	19"O.C.
	78	17	48"O.C.	34	48"O.C.	51	32"O.C.	69	24"O.C.	86	19"O.C.	90	16"O.C.	90	16"O.C.
108	24	50	54"O.C.	90	54"O.C.	90	54"O.C.	90	54"O.C.	90	54"O.C.	90	54"O.C.	90	54"O.C.
	36	33	54"O.C.	66	54"O.C.	90	36"O.C.	90	36"O.C.	90	36"O.C.	90	36"O.C.	90	36"O.C.
	48	25	54"O.C.	50	54"O.C.	75	36"O.C.	90	27"O.C.	90	27"O.C.	90	27"O.C.	90	27"O.C.
	60	20	54"O.C.	40	54"O.C.	60	36"O.C.	80	27"O.C.	90	22"O.C.	90	22"O.C.	90	22"O.C.
	72	16	54"O.C.	33	54"O.C.	50	36"O.C.	66	27"O.C.	83	22"O.C.	90	18"O.C.	90	18"O.C.
	78	15	54"O.C.	30	54"O.C.	46	36"O.C.	61	27"O.C.	76	22"O.C.	90	18"O.C.	90	18"O.C.
120	24	45	60"O.C.	90	60"O.C.	90	60"O.C.	90	60"O.C.	90	60"O.C.	90	60"O.C.	90	60"O.C.
	36	30	60"O.C.	60	60"O.C.	90	40"O.C.	90	40"O.C.	90	40"O.C.	90	40"O.C.	90	40"O.C.
	48	22	60"O.C.	45	60"O.C.	67	40"O.C.	90	30"O.C.	90	30"O.C.	90	30"O.C.	90	30"O.C.
	60	18	60"O.C.	36	60"O.C.	54	40"O.C.	72	30"O.C.	90	24"O.C.	90	24"O.C.	90	24"O.C.
	72	15	60"O.C.	30	60"O.C.	45	40"O.C.	60	30"O.C.	75	24"O.C.	90	20"O.C.	90	20"O.C.
	78	13	60"O.C.	27	60"O.C.	41	40"O.C.	55	30"O.C.	69	24"O.C.	83	20"O.C.	90	17"O.C.

FL#20665.2

ENGINEERING EXPRESS
 POSTAL ADDRESS:
 401 W. ATLANTIC AVE R10 #219
 DELRAY BEACH, FL 33444
 ENGINEERINGEXPRESS.COM

OLDCASTLE BUILDING ENVELOPE
 803 AIRPORT ROAD
 TERRELL, TX 75160
 (972) 551-6100
 FG-5750 STOREMAX[®] NON-THERMAL
 IMPACT STOREFRONT SYSTEM
 WET & DRY GLAZED

REMARKS	DRWN	CHKD	DATE
INIT. ISSUE	JEM	AJP	09/17/20
REVISIONS	SSG	RS	03/11/22

COPYRIGHT ENGINEERING EXPRESS[®]

20-29229g

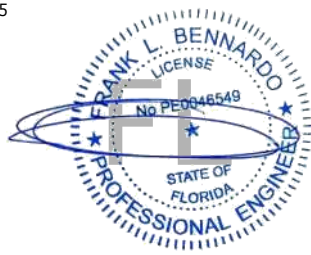
SCALE: NTS UNLESS NOTED

c:\users\sam\engineering\express\production - documents\projects\20-29229 oldcastle - fg 5000 & fg 5100\revision order 8879\work\drawings & cad\fg-5750\20-29229g obe - fg-5750g 8-25-22.dwg 8/31/2022 2:05 PM SAM

MAXIMUM ALLOWABLE STRESS DESIGN PRESSURE RATING FOR STANDARD MULLIONS WITH HEAD, SILL AND JAMB CONNECTIONS-ANCHOR TYPE A

Frank Bennardo
PE# 0046549 CA# 9885

AUGUST 31, 2022



FRAME HEIGHT (IN)	TRIBUTARY WIDTH (IN)	TOTAL NUMBER OF ANCHORS AT THE CLUSTER-ANCHOR TYPE A													
		2		4		6		8		10		12		16	
		MAX PRESSURE (PSF)	JAMBS MAX ANCHOR SPACING (IN)	MAX PRESSURE (PSF)	JAMBS MAX ANCHOR SPACING (IN)	MAX PRESSURE (PSF)	JAMBS MAX ANCHOR SPACING (IN)	MAX PRESSURE (PSF)	JAMBS MAX ANCHOR SPACING (IN)	MAX PRESSURE (PSF)	JAMBS MAX ANCHOR SPACING (IN)	MAX PRESSURE (PSF)	JAMBS MAX ANCHOR SPACING (IN)	MAX PRESSURE (PSF)	JAMBS MAX ANCHOR SPACING (IN)
132	24	40	66"O.C.	81	66"O.C.	90	44"O.C.	90	44"O.C.	90	44"O.C.	90	44"O.C.	90	44"O.C.
	36	27	66"O.C.	54	66"O.C.	81	44"O.C.	90	33"O.C.	90	33"O.C.	90	33"O.C.	90	33"O.C.
	48	20	66"O.C.	40	66"O.C.	61	44"O.C.	81	33"O.C.	90	26"O.C.	90	26"O.C.	90	26"O.C.
	60	16	66"O.C.	32	66"O.C.	49	44"O.C.	65	33"O.C.	81	26"O.C.	90	22"O.C.	90	22"O.C.
	72	13	66"O.C.	27	66"O.C.	40	44"O.C.	54	33"O.C.	68	26"O.C.	81	22"O.C.	90	19"O.C.
	78	12	66"O.C.	25	66"O.C.	37	44"O.C.	50	33"O.C.	62	26"O.C.	75	22"O.C.	90	17"O.C.
144	24	37	72"O.C.	75	72"O.C.	90	48"O.C.	90	48"O.C.	90	48"O.C.	90	48"O.C.	90	48"O.C.
	36	25	72"O.C.	50	72"O.C.	75	48"O.C.	90	36"O.C.	90	36"O.C.	90	36"O.C.	90	36"O.C.
	48	18	72"O.C.	37	72"O.C.	56	48"O.C.	75	36"O.C.	90	29"O.C.	90	29"O.C.	90	29"O.C.
	60	15	72"O.C.	30	72"O.C.	45	48"O.C.	60	36"O.C.	75	29"O.C.	90	24"O.C.	90	24"O.C.
	72	12	72"O.C.	25	72"O.C.	37	48"O.C.	50	36"O.C.	62	29"O.C.	75	24"O.C.	90	18"O.C.
	78	11	72"O.C.	23	72"O.C.	34	48"O.C.	46	36"O.C.	57	29"O.C.	69	24"O.C.	90	18"O.C.

FL#20665.2



POSTAL ADDRESS:
401 W. ATLANTIC AVE R10 #219
DELRAY BEACH, FL 33444
ENGINEERINGEXPRESS.COM

OLDCASTLE BUILDING ENVELOPE®
803 AIRPORT ROAD
TERRELL, TX 75160
(972) 551-6100

FG-5750 STOREMAX® NON-THERMAL
IMPACT STOREFRONT SYSTEM
WET & DRY GLAZED

REMARKS	DRWN	CHKD	DATE
INIT. ISSUE	JEM	AJP	09/17/20
REVISIONS	SSO	RS	03/11/22

COPYRIGHT ENGINEERING EXPRESS®

20-29229g

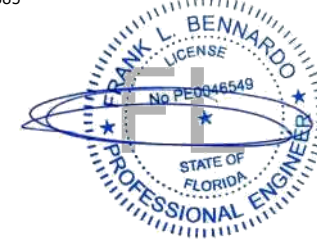
SCALE: NTS UNLESS NOTED

c:\users\sam\engineering\express\production - documents\projects\20-29229 oldcastle - fg 5000 & fg 5100\revision order 8879\work\drawings & cad\fg-5750\20-29229g obe - fg-5750g 8-25-22.dwg

MAXIMUM ALLOWABLE STRESS DESIGN PRESSURE RATING FOR STANDARD MULLIONS WITH HEAD, SILL AND JAMB CONNECTIONS-ANCHOR TYPE B

Frank Bennardo
PE# 0046549 CA# 9885

AUGUST 31, 2022



FRAME HEIGHT (IN)	TRIBUTARY WIDTH (IN)	TOTAL NUMBER OF ANCHORS AT THE CLUSTER-ANCHOR TYPE B			
		2		4	
		MAX PRESSURE (PSF)	JAMBS MAX ANCHOR SPACING (IN)	MAX PRESSURE (PSF)	JAMBS MAX ANCHOR SPACING (IN)
36	24	90	18"O.C.	90	18"O.C.
	36	90	18"O.C.	90	18"O.C.
	48	90	18"O.C.	90	18"O.C.
	60	90	18"O.C.	90	18"O.C.
	72	90	18"O.C.	90	18"O.C.
	78	90	18"O.C.	90	18"O.C.
48	24	90	24"O.C.	90	24"O.C.
	36	90	24"O.C.	90	24"O.C.
	48	90	24"O.C.	90	24"O.C.
	60	90	24"O.C.	90	24"O.C.
	72	83	24"O.C.	90	24"O.C.
	78	76	24"O.C.	90	24"O.C.
60	24	90	30"O.C.	90	30"O.C.
	36	90	30"O.C.	90	30"O.C.
	48	90	30"O.C.	90	30"O.C.
	60	80	30"O.C.	90	30"O.C.
	72	66	30"O.C.	90	30"O.C.
	78	61	30"O.C.	90	30"O.C.
72	24	90	36"O.C.	90	36"O.C.
	36	90	36"O.C.	90	36"O.C.
	48	83	36"O.C.	90	36"O.C.
	60	66	36"O.C.	90	36"O.C.
	72	55	36"O.C.	90	36"O.C.
	78	51	36"O.C.	90	36"O.C.

FL#20665.2

ENGINEERING EXPRESS
 POSTAL ADDRESS:
 401 W. ATLANTIC AVE R10 #219
 DELRAY BEACH, FL 33444
 ENGINEERINGEXPRESS.COM

OLDCASTLE BUILDING ENVELOPE®
 803 AIRPORT ROAD
 TERRELL, TX 75160
 (972) 551-6100

FG-5750 STOREMAX® NON-THERMAL
 IMPACT STOREFRONT SYSTEM
 WET & DRY GLAZED

REMARKS	DRWN	CHKD	DATE
INIT. ISSUE	JEM	AJP	09/17/20
REVISIONS	SSQ	RS	03/11/22

COPYRIGHT ENGINEERING EXPRESS®

20-29229g

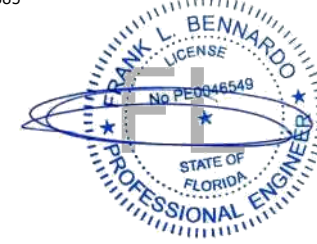
SCALE: NTS UNLESS NOTED

c:\users\sam\engineering\express\production - documents\projects\20-29229 oldcastle - fg 5000 & fg 5100\revision order 8879\work\drawings & cad\fg-5750\20-29229g obe - fg-5750g 8-25-22.dwg

MAXIMUM ALLOWABLE STRESS DESIGN PRESSURE RATING FOR STANDARD MULLIONS WITH HEAD, SILL AND JAMB CONNECTIONS-ANCHOR TYPE B

Frank Bennardo
PE# 0046549 CA# 9885

AUGUST 31, 2022



FRAME HEIGHT (IN)	TRIBUTARY WIDTH (IN)	TOTAL NUMBER OF ANCHORS AT THE CLUSTER-ANCHOR TYPE B					
		2		4		6	
		MAX PRESSURE (PSF)	JAMBS MAX ANCHOR SPACING (IN)	MAX PRESSURE (PSF)	JAMBS MAX ANCHOR SPACING (IN)	MAX PRESSURE (PSF)	JAMBS MAX ANCHOR SPACING (IN)
84	24	90	42"O.C.	90	42"O.C.	90	42"O.C.
	36	90	42"O.C.	90	42"O.C.	90	42"O.C.
	48	71	42"O.C.	90	42"O.C.	90	42"O.C.
	60	57	42"O.C.	90	42"O.C.	90	42"O.C.
	72	47	42"O.C.	90	42"O.C.	90	42"O.C.
	78	43	42"O.C.	87	42"O.C.	90	28"O.C.
96	24	90	48"O.C.	90	48"O.C.	90	48"O.C.
	36	83	48"O.C.	90	48"O.C.	90	48"O.C.
	48	62	48"O.C.	90	48"O.C.	90	48"O.C.
	60	50	48"O.C.	90	48"O.C.	90	48"O.C.
	72	41	48"O.C.	83	48"O.C.	90	32"O.C.
	78	38	48"O.C.	76	48"O.C.	90	32"O.C.
108	24	90	54"O.C.	90	54"O.C.	90	54"O.C.
	36	74	54"O.C.	90	54"O.C.	90	54"O.C.
	48	55	54"O.C.	90	54"O.C.	90	54"O.C.
	60	44	54"O.C.	88	54"O.C.	90	36"O.C.
	72	37	54"O.C.	74	54"O.C.	90	36"O.C.
	78	34	54"O.C.	68	54"O.C.	90	36"O.C.
120	24	90	60"O.C.	90	60"O.C.	90	60"O.C.
	36	66	60"O.C.	90	60"O.C.	90	60"O.C.
	48	50	60"O.C.	90	60"O.C.	90	60"O.C.
	60	40	60"O.C.	80	60"O.C.	90	40"O.C.
	72	33	60"O.C.	66	60"O.C.	90	40"O.C.
	78	30	60"O.C.	61	60"O.C.	90	40"O.C.

FL#20665.2

ENGINEERING EXPRESS
 POSTAL ADDRESS:
 401 W. ATLANTIC AVE R10 #219
 DELRAY BEACH, FL 33444
 ENGINEERINGEXPRESS.COM

OLDCASTLE BUILDING ENVELOPE
 803 AIRPORT ROAD
 TERRELL, TX 75160
 (972) 551-6100
 FG-5750 STOREMAX[®] NON-THERMAL
 IMPACT STOREFRONT SYSTEM
 WET & DRY GLAZED

REMARKS	DRWN	CHKD	DATE
INIT. ISSUE	JEM	AJP	09/17/20
REVISIONS	SSG	RS	03/11/22

COPYRIGHT ENGINEERING EXPRESS[®]

20-29229g

SCALE: NTS UNLESS NOTED

22

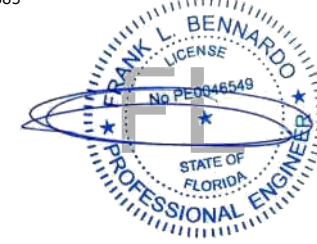
OF 43

c:\users\sam\engineering\express\production - documents\projects\20-29229 oldcastle - fg 5000 & fg 5100\revision order 8879\work\drawings & cad\fg-5750\20-29229g obe - fg-5750g 8-25-22.dwg

MAXIMUM ALLOWABLE STRESS DESIGN PRESSURE RATING FOR STANDARD MULLIONS WITH HEAD, SILL AND JAMB CONNECTIONS-ANCHOR TYPE B

Frank Bennardo
PE# 0046549 CA# 9885

AUGUST 31, 2022



FRAME HEIGHT (IN)	TRIBUTARY WIDTH (IN)	TOTAL NUMBER OF ANCHORS AT THE CLUSTER-ANCHOR TYPE B							
		2		4		6		8	
		MAX PRESSURE (PSF)	JAMBS MAX ANCHOR SPACING (IN)	MAX PRESSURE (PSF)	JAMBS MAX ANCHOR SPACING (IN)	MAX PRESSURE (PSF)	JAMBS MAX ANCHOR SPACING (IN)	MAX PRESSURE (PSF)	JAMBS MAX ANCHOR SPACING (IN)
132	24	90	66"O.C.	90	66"O.C.	90	66"O.C.	90	66"O.C.
	36	60	66"O.C.	90	66"O.C.	90	66"O.C.	90	66"O.C.
	48	45	66"O.C.	90	66"O.C.	90	66"O.C.	90	66"O.C.
	60	36	66"O.C.	72	66"O.C.	90	44"O.C.	90	44"O.C.
	72	30	66"O.C.	60	66"O.C.	90	44"O.C.	90	44"O.C.
	78	27	66"O.C.	55	66"O.C.	83	44"O.C.	90	33"O.C.
144	24	83	72"O.C.	90	72"O.C.	90	72"O.C.	90	72"O.C.
	36	55	72"O.C.	90	72"O.C.	90	72"O.C.	90	72"O.C.
	48	41	72"O.C.	83	72"O.C.	90	48"O.C.	90	48"O.C.
	60	33	72"O.C.	66	72"O.C.	90	48"O.C.	90	48"O.C.
	72	27	72"O.C.	55	72"O.C.	83	48"O.C.	90	36"O.C.
	78	25	72"O.C.	51	72"O.C.	76	48"O.C.	90	36"O.C.

FL#20665.2

ENGINEERING EXPRESS
 POSTAL ADDRESS:
 401 W. ATLANTIC AVE R10 #219
 DELRAY BEACH, FL 33444
 ENGINEERINGEXPRESS.COM

OLDCASTLE BUILDING ENVELOPE®
 803 AIRPORT ROAD
 TERRELL, TX 75160
 (972) 551-6100

FG-5750 STOREMAX® NON-THERMAL
 IMPACT STOREFRONT SYSTEM
 WET & DRY GLAZED

REMARKS	DRWN	CHKD	DATE
INIT. ISSUE	JEM	AJP	09/17/20
REVISIONS	SSO	RS	03/11/22

COPYRIGHT ENGINEERING EXPRESS®

20-29229g

SCALE: NTS UNLESS NOTED

23

OF 43

c:\users\sam\engineering\express\production - documents\projects\20-29229 oldcastle - fg 5000 & fg 5100\revision order 8879\work\drawings & cad\fg-5750\20-29229g obe - fg-5750g 8-25-22.dwg

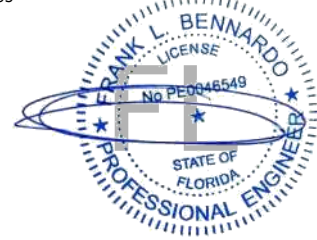
8/31/2022 2:05 PM SAM

c:\users\sam\engineering\express\production - documents\projects\20-29229 oldcastle - fg 5000 & fg 5100\revision order 8879\work\drawings & cad\fg-5750\20-29229g obe - fg-5750g 8-25-22.dwg

MAXIMUM ALLOWABLE STRESS DESIGN PRESSURE RATING FOR STANDARD MULLIONS WITH HEAD, SILL AND JAMB CONNECTIONS-ANCHOR TYPE C

Frank Bennardo
PE# 0046549 CA# 9885

AUGUST 31, 2022



FRAME HEIGHT (IN)	TRIBUTARY WIDTH (IN)	TOTAL NUMBER OF ANCHORS AT THE CLUSTER-ANCHOR TYPE C											
		2		4		6		8		10		12	
		MAX PRESSURE (PSF)	JAMBS MAX ANCHOR SPACING (IN)	MAX PRESSURE (PSF)	JAMBS MAX ANCHOR SPACING (IN)	MAX PRESSURE (PSF)	JAMBS MAX ANCHOR SPACING (IN)	MAX PRESSURE (PSF)	JAMBS MAX ANCHOR SPACING (IN)	MAX PRESSURE (PSF)	JAMBS MAX ANCHOR SPACING (IN)	MAX PRESSURE (PSF)	JAMBS MAX ANCHOR SPACING (IN)
36	24	90	18"O.C.	90	18"O.C.	90	18"O.C.	90	18"O.C.	90	18"O.C.	90	18"O.C.
	36	75	18"O.C.	90	18"O.C.	90	18"O.C.	90	18"O.C.	90	18"O.C.	90	18"O.C.
	48	56	18"O.C.	90	18"O.C.	90	18"O.C.	90	18"O.C.	90	18"O.C.	90	18"O.C.
	60	45	18"O.C.	90	18"O.C.	90	18"O.C.	90	18"O.C.	90	18"O.C.	90	18"O.C.
	72	37	18"O.C.	75	18"O.C.	90	12"O.C.	90	12"O.C.	90	12"O.C.	90	12"O.C.
	78	34	18"O.C.	69	18"O.C.	90	12"O.C.	90	12"O.C.	90	12"O.C.	90	12"O.C.
48	24	85	24"O.C.	90	24"O.C.	90	24"O.C.	90	24"O.C.	90	24"O.C.	90	24"O.C.
	36	56	24"O.C.	90	24"O.C.	90	24"O.C.	90	24"O.C.	90	24"O.C.	90	24"O.C.
	48	42	24"O.C.	85	24"O.C.	90	16"O.C.	90	16"O.C.	90	16"O.C.	90	16"O.C.
	60	34	24"O.C.	68	24"O.C.	90	16"O.C.	90	16"O.C.	90	16"O.C.	90	16"O.C.
	72	28	24"O.C.	56	24"O.C.	85	16"O.C.	90	12"O.C.	90	12"O.C.	90	12"O.C.
	78	26	24"O.C.	52	24"O.C.	78	16"O.C.	90	12"O.C.	90	12"O.C.	90	12"O.C.
60	24	68	30"O.C.	90	30"O.C.	90	30"O.C.	90	30"O.C.	90	30"O.C.	90	30"O.C.
	36	45	30"O.C.	90	30"O.C.	90	30"O.C.	90	30"O.C.	90	30"O.C.	90	30"O.C.
	48	34	30"O.C.	68	30"O.C.	90	20"O.C.	90	20"O.C.	90	20"O.C.	90	20"O.C.
	60	27	30"O.C.	54	30"O.C.	81	20"O.C.	90	15"O.C.	90	15"O.C.	90	15"O.C.
	72	22	30"O.C.	45	30"O.C.	68	20"O.C.	90	15"O.C.	90	15"O.C.	90	15"O.C.
	78	20	30"O.C.	41	30"O.C.	62	20"O.C.	83	15"O.C.	90	12"O.C.	90	12"O.C.
72	24	56	36"O.C.	90	36"O.C.	90	36"O.C.	90	36"O.C.	90	36"O.C.	90	36"O.C.
	36	37	36"O.C.	75	36"O.C.	90	24"O.C.	90	24"O.C.	90	24"O.C.	90	24"O.C.
	48	28	36"O.C.	56	36"O.C.	85	24"O.C.	90	18"O.C.	90	18"O.C.	90	18"O.C.
	60	22	36"O.C.	45	36"O.C.	68	24"O.C.	90	18"O.C.	90	18"O.C.	90	18"O.C.
	72	18	36"O.C.	37	36"O.C.	56	24"O.C.	75	18"O.C.	90	14"O.C.	90	14"O.C.
	78	17	36"O.C.	34	36"O.C.	52	24"O.C.	69	18"O.C.	87	14"O.C.	90	12"O.C.

FL#20665.2

ENGINEERING EXPRESS
 POSTAL ADDRESS:
 401 W. ATLANTIC AVE R10 #219
 DELRAY BEACH, FL 33444
 ENGINEERINGEXPRESS.COM

OLDCASTLE BUILDING ENVELOPE
 803 AIRPORT ROAD
 TERRELL, TX 75160
 (972) 551-6100
 FG-5750 STOREMAX[®] NON-THERMAL
 IMPACT STOREFRONT SYSTEM
 WET & DRY GLAZED

REMARKS	DRWN	CHKD	DATE
INIT. ISSUE	JEM	AJP	09/17/20
REVISIONS	SSG	RS	03/11/22

COPYRIGHT ENGINEERING EXPRESS[®]

20-29229g

SCALE: NTS UNLESS NOTED

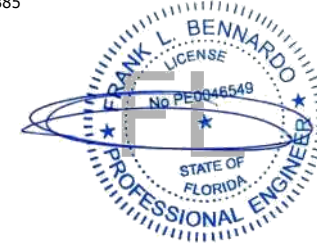
24

OF 43

MAXIMUM ALLOWABLE STRESS DESIGN PRESSURE RATING FOR STANDARD MULLIONS WITH HEAD, SILL AND JAMB CONNECTIONS-ANCHOR TYPE C

Frank Bennardo
PE# 0046549 CA# 9885

AUGUST 31, 2022



FRAME HEIGHT (IN)	TRIBUTARY WIDTH (IN)	TOTAL NUMBER OF ANCHORS AT THE CLUSTER-ANCHOR TYPE C													
		2		4		6		8		10		12		16	
		MAX PRESSURE (PSF)	JAMBS MAX ANCHOR SPACING (IN)	MAX PRESSURE (PSF)	JAMBS MAX ANCHOR SPACING (IN)	MAX PRESSURE (PSF)	JAMBS MAX ANCHOR SPACING (IN)	MAX PRESSURE (PSF)	JAMBS MAX ANCHOR SPACING (IN)	MAX PRESSURE (PSF)	JAMBS MAX ANCHOR SPACING (IN)	MAX PRESSURE (PSF)	JAMBS MAX ANCHOR SPACING (IN)	MAX PRESSURE (PSF)	JAMBS MAX ANCHOR SPACING (IN)
84	24	48	42"O.C.	90	42"O.C.	90	42"O.C.	90	42"O.C.	90	42"O.C.	90	42"O.C.	90	42"O.C.
	36	32	42"O.C.	64	42"O.C.	90	28"O.C.	90	28"O.C.	90	28"O.C.	90	28"O.C.	90	28"O.C.
	48	24	42"O.C.	48	42"O.C.	72	28"O.C.	90	21"O.C.	90	21"O.C.	90	21"O.C.	90	21"O.C.
	60	19	42"O.C.	38	42"O.C.	58	28"O.C.	77	21"O.C.	90	17"O.C.	90	17"O.C.	90	17"O.C.
	72	16	42"O.C.	32	42"O.C.	48	28"O.C.	64	21"O.C.	80	17"O.C.	90	14"O.C.	90	14"O.C.
	78	14	42"O.C.	29	42"O.C.	44	28"O.C.	59	21"O.C.	74	17"O.C.	89	14"O.C.	90	12"O.C.
96	24	42	48"O.C.	85	48"O.C.	90	32"O.C.	90	32"O.C.	90	32"O.C.	90	32"O.C.	90	32"O.C.
	36	28	48"O.C.	56	48"O.C.	85	32"O.C.	90	24"O.C.	90	24"O.C.	90	24"O.C.	90	24"O.C.
	48	21	48"O.C.	42	48"O.C.	63	32"O.C.	85	24"O.C.	90	19"O.C.	90	19"O.C.	90	19"O.C.
	60	17	48"O.C.	34	48"O.C.	51	32"O.C.	68	24"O.C.	85	19"O.C.	90	16"O.C.	90	16"O.C.
	72	14	48"O.C.	28	48"O.C.	42	32"O.C.	56	24"O.C.	70	19"O.C.	85	16"O.C.	90	14"O.C.
	78	13	48"O.C.	26	48"O.C.	39	32"O.C.	52	24"O.C.	65	19"O.C.	78	16"O.C.	90	14"O.C.
108	24	37	54"O.C.	75	54"O.C.	90	36"O.C.	90	36"O.C.	90	36"O.C.	90	36"O.C.	90	36"O.C.
	36	25	54"O.C.	50	54"O.C.	75	36"O.C.	90	27"O.C.	90	27"O.C.	90	27"O.C.	90	27"O.C.
	48	18	54"O.C.	37	54"O.C.	56	36"O.C.	75	27"O.C.	90	22"O.C.	90	22"O.C.	90	22"O.C.
	60	15	54"O.C.	30	54"O.C.	45	36"O.C.	60	27"O.C.	75	22"O.C.	90	18"O.C.	90	18"O.C.
	72	12	54"O.C.	25	54"O.C.	37	36"O.C.	50	27"O.C.	62	22"O.C.	75	18"O.C.	90	14"O.C.
	78	11	54"O.C.	23	54"O.C.	34	36"O.C.	46	27"O.C.	58	22"O.C.	69	18"O.C.	90	14"O.C.
120	24	34	60"O.C.	68	60"O.C.	90	40"O.C.	90	40"O.C.	90	40"O.C.	90	40"O.C.	90	40"O.C.
	36	22	60"O.C.	45	60"O.C.	68	40"O.C.	90	30"O.C.	90	30"O.C.	90	30"O.C.	90	30"O.C.
	48	17	60"O.C.	34	60"O.C.	51	40"O.C.	68	30"O.C.	85	24"O.C.	90	20"O.C.	90	20"O.C.
	60	13	60"O.C.	27	60"O.C.	40	40"O.C.	54	30"O.C.	68	24"O.C.	81	20"O.C.	90	17"O.C.
	72	11	60"O.C.	22	60"O.C.	34	40"O.C.	45	30"O.C.	56	24"O.C.	68	20"O.C.	90	15"O.C.
	78	10	60"O.C.	20	60"O.C.	31	40"O.C.	41	30"O.C.	52	24"O.C.	62	20"O.C.	83	15"O.C.

FL#20665.2

ENGINEERING EXPRESS
 POSTAL ADDRESS:
 401 W. ATLANTIC AVE R10 #219
 DELRAY BEACH, FL 33444
 ENGINEERINGEXPRESS.COM

OLDCASTLE BUILDING ENVELOPE
 803 AIRPORT ROAD
 TERRELL, TX 75160
 (972) 551-6100
 FG-5750 STOREMAX[®] NON-THERMAL
 IMPACT STOREFRONT SYSTEM
 WET & DRY GLAZED

REMARKS	DRWN	CHKD	DATE
INIT. ISSUE	JEM	AJP	09/17/20
REVISIONS	SSG	RS	03/11/22

COPYRIGHT ENGINEERING EXPRESS[®]

20-29229g

SCALE: NTS UNLESS NOTED

25

OF 43

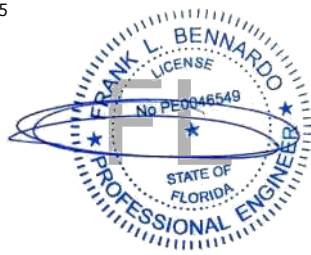
c:\users\sam\engineering\express\production - documents\projects\20-29229 oldcastle - fg 5000 & fg 5100\revision order 8879\work\drawings & cad\fg-5750\20-29229g obe - fg-5750g 8-25-22.dwg 8/31/2022 2:06 PM SAM

c:\users\sam\engineering\express\production - documents\projects\20-29229\oldcastle - fg 5000 & fg 5100\revision order 8879\work\drawings & cad\fg-5750\20-29229g obe - fg-5750g 8-25-22.dwg

MAXIMUM ALLOWABLE STRESS DESIGN PRESSURE RATING FOR STANDARD MULLIONS WITH HEAD, SILL AND JAMB CONNECTIONS-ANCHOR TYPE C

Frank Bennardo
PE# 0046549 CA# 9885

AUGUST 31, 2022



FRAME HEIGHT (IN)	TRIBUTARY WIDTH (IN)	TOTAL NUMBER OF ANCHORS AT THE CLUSTER-ANCHOR TYPE C													
		2		4		6		8		10		12		16	
		MAX PRESSURE (PSF)	JAMBS MAX ANCHOR SPACING (IN)	MAX PRESSURE (PSF)	JAMBS MAX ANCHOR SPACING (IN)	MAX PRESSURE (PSF)	JAMBS MAX ANCHOR SPACING (IN)	MAX PRESSURE (PSF)	JAMBS MAX ANCHOR SPACING (IN)	MAX PRESSURE (PSF)	JAMBS MAX ANCHOR SPACING (IN)	MAX PRESSURE (PSF)	JAMBS MAX ANCHOR SPACING (IN)	MAX PRESSURE (PSF)	JAMBS MAX ANCHOR SPACING (IN)
132	24	30	66"O.C.	61	66"O.C.	90	44"O.C.	90	44"O.C.	90	44"O.C.	90	44"O.C.	90	44"O.C.
	36	20	66"O.C.	41	66"O.C.	61	44"O.C.	82	33"O.C.	90	26"O.C.	90	26"O.C.	90	26"O.C.
	48	15	66"O.C.	30	66"O.C.	46	44"O.C.	61	33"O.C.	77	26"O.C.	90	22"O.C.	90	22"O.C.
	60	12	66"O.C.	24	66"O.C.	37	44"O.C.	49	33"O.C.	61	26"O.C.	74	22"O.C.	90	17"O.C.
	72	10	66"O.C.	20	66"O.C.	30	44"O.C.	41	33"O.C.	51	26"O.C.	61	22"O.C.	82	17"O.C.
	78	9	66"O.C.	19	66"O.C.	28	44"O.C.	38	33"O.C.	47	26"O.C.	57	22"O.C.	76	17"O.C.
144	24	28	72"O.C.	56	72"O.C.	85	48"O.C.	90	36"O.C.	90	36"O.C.	90	36"O.C.	90	36"O.C.
	36	18	72"O.C.	37	72"O.C.	56	48"O.C.	75	36"O.C.	90	29"O.C.	90	29"O.C.	90	29"O.C.
	48	14	72"O.C.	28	72"O.C.	42	48"O.C.	56	36"O.C.	70	29"O.C.	85	24"O.C.	90	21"O.C.
	60	11	72"O.C.	22	72"O.C.	34	48"O.C.	45	36"O.C.	56	29"O.C.	68	24"O.C.	90	18"O.C.
	72	9	72"O.C.	18	72"O.C.	28	48"O.C.	37	36"O.C.	47	29"O.C.	56	24"O.C.	75	18"O.C.
	78	8	72"O.C.	17	72"O.C.	26	48"O.C.	34	36"O.C.	43	29"O.C.	52	24"O.C.	69	18"O.C.

FL#20665.2



POSTAL ADDRESS:
401 W. ATLANTIC AVE R10 #219
DELRAY BEACH, FL 33444
ENGINEERINGEXPRESS.COM

OLDCASTLE BUILDING ENVELOPE
803 AIRPORT ROAD
TERRELL, TX 75160
(972) 551-6100

FG-5750 STOREMAX[®] NON-THERMAL
IMPACT STOREFRONT SYSTEM
WET & DRY GLAZED

REMARKS	DRWN	CHKD	DATE
INIT. ISSUE	JEM	AJP	09/17/20
REVISIONS	SSG	RS	03/11/22

COPYRIGHT ENGINEERING EXPRESS[®]

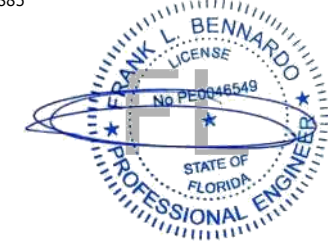
20-29229g

SCALE: NTS UNLESS NOTED

MAXIMUM ALLOWABLE STRESS DESIGN PRESSURE RATING FOR STANDARD MULLIONS WITH HEAD, SILL AND JAMB CONNECTIONS-ANCHOR TYPE D

Frank Bennardo
PE# 0046549 CA# 9885

AUGUST 31, 2022



FL#20665.2

FRAME HEIGHT (IN)	TRIBUTARY WIDTH (IN)	TOTAL NUMBER OF ANCHORS AT THE CLUSTER-ANCHOR TYPE D													
		2		4		6		8		10		12		16	
		MAX PRESSURE (PSF)	JAMBS MAX ANCHOR SPACING (IN)	MAX PRESSURE (PSF)	JAMBS MAX ANCHOR SPACING (IN)	MAX PRESSURE (PSF)	JAMBS MAX ANCHOR SPACING (IN)	MAX PRESSURE (PSF)	JAMBS MAX ANCHOR SPACING (IN)	MAX PRESSURE (PSF)	JAMBS MAX ANCHOR SPACING (IN)	MAX PRESSURE (PSF)	JAMBS MAX ANCHOR SPACING (IN)	MAX PRESSURE (PSF)	JAMBS MAX ANCHOR SPACING (IN)
36	24	90	18" O.C.	90	18" O.C.	90	18" O.C.	90	18" O.C.	90	18" O.C.	90	18" O.C.	90	18" O.C.
	36	68	18" O.C.	90	18" O.C.	90	18" O.C.	90	18" O.C.	90	18" O.C.	90	18" O.C.	90	18" O.C.
	48	51	18" O.C.	90	18" O.C.	90	18" O.C.	90	18" O.C.	90	18" O.C.	90	18" O.C.	90	18" O.C.
	60	41	18" O.C.	82	18" O.C.	90	12" O.C.	90	12" O.C.	90	12" O.C.	90	12" O.C.	90	12" O.C.
	72	34	18" O.C.	68	18" O.C.	90	12" O.C.	90	12" O.C.	90	12" O.C.	90	12" O.C.	90	12" O.C.
	78	31	18" O.C.	63	18" O.C.	90	12" O.C.	90	12" O.C.	90	12" O.C.	90	12" O.C.	90	12" O.C.
48	24	77	24" O.C.	90	24" O.C.	90	24" O.C.	90	24" O.C.	90	24" O.C.	90	24" O.C.	90	24" O.C.
	36	51	24" O.C.	90	24" O.C.	90	24" O.C.	90	24" O.C.	90	24" O.C.	90	24" O.C.	90	24" O.C.
	48	38	24" O.C.	77	24" O.C.	90	16" O.C.	90	16" O.C.	90	16" O.C.	90	16" O.C.	90	16" O.C.
	60	31	24" O.C.	62	24" O.C.	90	16" O.C.	90	16" O.C.	90	16" O.C.	90	16" O.C.	90	16" O.C.
	72	25	24" O.C.	51	24" O.C.	77	16" O.C.	90	12" O.C.	90	12" O.C.	90	12" O.C.	90	12" O.C.
	78	23	24" O.C.	47	24" O.C.	71	16" O.C.	90	12" O.C.	90	12" O.C.	90	12" O.C.	90	12" O.C.
60	24	62	30" O.C.	90	30" O.C.	90	30" O.C.	90	30" O.C.	90	30" O.C.	90	30" O.C.	90	30" O.C.
	36	41	30" O.C.	82	30" O.C.	90	20" O.C.	90	20" O.C.	90	20" O.C.	90	20" O.C.	90	20" O.C.
	48	31	30" O.C.	62	30" O.C.	90	20" O.C.	90	20" O.C.	90	20" O.C.	90	20" O.C.	90	20" O.C.
	60	24	30" O.C.	49	30" O.C.	74	20" O.C.	90	15" O.C.	90	15" O.C.	90	15" O.C.	90	15" O.C.
	72	20	30" O.C.	41	30" O.C.	62	20" O.C.	82	15" O.C.	90	12" O.C.	90	12" O.C.	90	12" O.C.
	78	19	30" O.C.	38	30" O.C.	57	20" O.C.	76	15" O.C.	90	12" O.C.	90	12" O.C.	90	12" O.C.
72	24	51	36" O.C.	90	36" O.C.	90	36" O.C.	90	36" O.C.	90	36" O.C.	90	36" O.C.	90	36" O.C.
	36	34	36" O.C.	68	36" O.C.	90	24" O.C.	90	24" O.C.	90	24" O.C.	90	24" O.C.	90	24" O.C.
	48	25	36" O.C.	51	36" O.C.	77	24" O.C.	90	18" O.C.	90	18" O.C.	90	18" O.C.	90	18" O.C.
	60	20	36" O.C.	41	36" O.C.	62	24" O.C.	82	18" O.C.	90	14" O.C.	90	14" O.C.	90	14" O.C.
	72	17	36" O.C.	34	36" O.C.	51	24" O.C.	68	18" O.C.	86	14" O.C.	90	12" O.C.	90	12" O.C.
	78	15	36" O.C.	31	36" O.C.	47	24" O.C.	63	18" O.C.	79	14" O.C.	90	12" O.C.	90	12" O.C.

ENGINEERING EXPRESS
 POSTAL ADDRESS:
 401 W. ATLANTIC AVE R10 #219
 DELRAY BEACH, FL 33444
 ENGINEERINGEXPRESS.COM

OLDCASTLE BUILDING ENVELOPE
 803 AIRPORT ROAD
 TERRELL, TX 75160
 (972) 551-6100
 FG-5750 STOREMAX[®] NON-THERMAL
 IMPACT STOREFRONT SYSTEM
 WET & DRY GLAZED

REMARKS	DRWN	CHKD	DATE
INIT ISSUE	JEM	AJP	09/17/20
REVISIONS	SSG	RS	03/11/22

COPYRIGHT ENGINEERING EXPRESS[®]

20-29229g

SCALE: NTS UNLESS NOTED

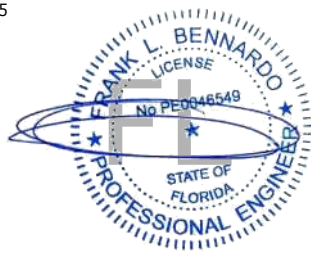
c:\users\sam\engineering\express\production - documents\projects\20-29229 oldcastle - fg 5000 & fg 5100\revision order 8879\work\drawings & cad\fg-5750\20-29229g obe - fg-5750g 8-25-22.dwg

c:\users\sam\engineering\express\production - documents\projects\20-29229 oldcastle - fg 5000 & fg 5100\revision order 8879\work\drawings & cad\fg-5750\20-29229g obe - fg-5750g 8-25-22.dwg

MAXIMUM ALLOWABLE STRESS DESIGN PRESSURE RATING FOR STANDARD MULLIONS WITH HEAD, SILL AND JAMB CONNECTIONS-ANCHOR TYPE D

Frank Bennardo
PE# 0046549 CA# 9885

AUGUST 31, 2022



FRAME HEIGHT (IN)	TRIBUTARY WIDTH (IN)	TOTAL NUMBER OF ANCHORS AT THE CLUSTER-ANCHOR TYPE D													
		2		4		6		8		10		12		16	
		MAX PRESSURE (PSF)	JAMBS MAX ANCHOR SPACING (IN)	MAX PRESSURE (PSF)	JAMBS MAX ANCHOR SPACING (IN)	MAX PRESSURE (PSF)	JAMBS MAX ANCHOR SPACING (IN)	MAX PRESSURE (PSF)	JAMBS MAX ANCHOR SPACING (IN)	MAX PRESSURE (PSF)	JAMBS MAX ANCHOR SPACING (IN)	MAX PRESSURE (PSF)	JAMBS MAX ANCHOR SPACING (IN)	MAX PRESSURE (PSF)	JAMBS MAX ANCHOR SPACING (IN)
84	24	44	42" O.C.	88	42" O.C.	90	28" O.C.	90	28" O.C.	90	28" O.C.	90	28" O.C.	90	28" O.C.
	36	29	42" O.C.	59	42" O.C.	88	28" O.C.	90	21" O.C.	90	21" O.C.	90	21" O.C.	90	21" O.C.
	48	22	42" O.C.	44	42" O.C.	66	28" O.C.	88	21" O.C.	90	17" O.C.	90	17" O.C.	90	17" O.C.
	60	17	42" O.C.	35	42" O.C.	53	28" O.C.	70	21" O.C.	88	17" O.C.	90	14" O.C.	90	14" O.C.
	72	14	42" O.C.	29	42" O.C.	44	28" O.C.	59	21" O.C.	73	17" O.C.	88	14" O.C.	90	12" O.C.
	78	13	42" O.C.	27	42" O.C.	40	28" O.C.	54	21" O.C.	68	17" O.C.	81	14" O.C.	90	12" O.C.
96	24	38	48" O.C.	77	48" O.C.	90	32" O.C.	90	32" O.C.	90	32" O.C.	90	32" O.C.	90	32" O.C.
	36	25	48" O.C.	51	48" O.C.	77	32" O.C.	90	24" O.C.	90	24" O.C.	90	24" O.C.	90	24" O.C.
	48	19	48" O.C.	38	48" O.C.	58	32" O.C.	77	24" O.C.	90	19" O.C.	90	19" O.C.	90	19" O.C.
	60	15	48" O.C.	31	48" O.C.	46	32" O.C.	62	24" O.C.	77	19" O.C.	90	16" O.C.	90	16" O.C.
	72	12	48" O.C.	25	48" O.C.	38	32" O.C.	51	24" O.C.	64	19" O.C.	77	16" O.C.	90	14" O.C.
	78	11	48" O.C.	23	48" O.C.	35	32" O.C.	47	24" O.C.	59	19" O.C.	71	16" O.C.	90	12" O.C.
108	24	34	54" O.C.	68	54" O.C.	90	36" O.C.	90	36" O.C.	90	36" O.C.	90	36" O.C.	90	36" O.C.
	36	22	54" O.C.	45	54" O.C.	68	36" O.C.	90	27" O.C.	90	27" O.C.	90	27" O.C.	90	27" O.C.
	48	17	54" O.C.	34	54" O.C.	51	36" O.C.	68	27" O.C.	86	22" O.C.	90	18" O.C.	90	18" O.C.
	60	13	54" O.C.	27	54" O.C.	41	36" O.C.	55	27" O.C.	68	22" O.C.	82	18" O.C.	90	15" O.C.
	72	11	54" O.C.	22	54" O.C.	34	36" O.C.	45	27" O.C.	57	22" O.C.	68	18" O.C.	90	14" O.C.
	78	10	54" O.C.	21	54" O.C.	31	36" O.C.	42	27" O.C.	52	22" O.C.	63	18" O.C.	84	14" O.C.
120	24	31	60" O.C.	62	60" O.C.	90	40" O.C.	90	40" O.C.	90	40" O.C.	90	40" O.C.	90	40" O.C.
	36	20	60" O.C.	41	60" O.C.	62	40" O.C.	82	30" O.C.	90	24" O.C.	90	24" O.C.	90	24" O.C.
	48	15	60" O.C.	31	60" O.C.	46	40" O.C.	62	30" O.C.	77	24" O.C.	90	20" O.C.	90	20" O.C.
	60	12	60" O.C.	24	60" O.C.	37	40" O.C.	49	30" O.C.	62	24" O.C.	74	20" O.C.	90	15" O.C.
	72	10	60" O.C.	20	60" O.C.	31	40" O.C.	41	30" O.C.	51	24" O.C.	62	20" O.C.	82	15" O.C.
	78	9	60" O.C.	19	60" O.C.	28	40" O.C.	38	30" O.C.	47	24" O.C.	57	20" O.C.	76	15" O.C.

FL#20665.2



POSTAL ADDRESS:
401 W. ATLANTIC AVE R10 #219
DELRAY BEACH, FL 33444
ENGINEERINGEXPRESS.COM

OLDCASTLE BUILDING ENVELOPE
803 AIRPORT ROAD
TERRELL, TX 75160
(972) 551-6100

FG-5750 STOREMAX[®] NON-THERMAL
IMPACT STOREFRONT SYSTEM
WET & DRY GLAZED

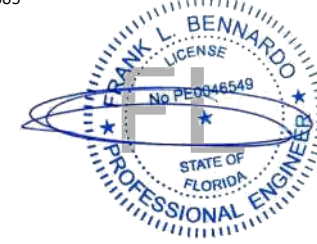
REMARKS	DRWN	CHKD	DATE
INIT. ISSUE	JEM	AJP	09/17/20
REVISIONS	SSG	RS	03/11/22

COPYRIGHT ENGINEERING EXPRESS[®]
20-29229g
SCALE: NTS UNLESS NOTED

MAXIMUM ALLOWABLE STRESS DESIGN PRESSURE RATING FOR STANDARD MULLIONS WITH HEAD, SILL AND JAMB CONNECTIONS-ANCHOR TYPE D

Frank Bennardo
PE# 0046549 CA# 9885

AUGUST 31, 2022



FRAME HEIGHT (IN)	TRIBUTARY WIDTH (IN)	TOTAL NUMBER OF ANCHORS AT THE CLUSTER-ANCHOR TYPE D													
		2		4		6		8		10		12		16	
		MAX PRESSURE (PSF)	JAMBS MAX ANCHOR SPACING (IN)	MAX PRESSURE (PSF)	JAMBS MAX ANCHOR SPACING (IN)	MAX PRESSURE (PSF)	JAMBS MAX ANCHOR SPACING (IN)	MAX PRESSURE (PSF)	JAMBS MAX ANCHOR SPACING (IN)	MAX PRESSURE (PSF)	JAMBS MAX ANCHOR SPACING (IN)	MAX PRESSURE (PSF)	JAMBS MAX ANCHOR SPACING (IN)	MAX PRESSURE (PSF)	JAMBS MAX ANCHOR SPACING (IN)
132	24	28	66" O.C.	56	66" O.C.	84	44" O.C.	90	33" O.C.	90	33" O.C.	90	33" O.C.	90	33" O.C.
	36	18	66" O.C.	37	66" O.C.	56	44" O.C.	75	33" O.C.	90	26" O.C.	90	26" O.C.	90	26" O.C.
	48	14	66" O.C.	28	66" O.C.	42	44" O.C.	56	33" O.C.	70	26" O.C.	84	22" O.C.	90	19" O.C.
	60	11	66" O.C.	22	66" O.C.	33	44" O.C.	45	33" O.C.	56	26" O.C.	67	22" O.C.	90	17" O.C.
	72	9	66" O.C.	18	66" O.C.	28	44" O.C.	37	33" O.C.	46	26" O.C.	56	22" O.C.	75	17" O.C.
	78	8	66" O.C.	17	66" O.C.	26	44" O.C.	34	33" O.C.	43	26" O.C.	52	22" O.C.	69	17" O.C.
144	24	25	72" O.C.	51	72" O.C.	77	48" O.C.	90	36" O.C.	90	36" O.C.	90	36" O.C.	90	36" O.C.
	36	17	72" O.C.	34	72" O.C.	51	48" O.C.	68	36" O.C.	86	29" O.C.	90	24" O.C.	90	24" O.C.
	48	12	72" O.C.	25	72" O.C.	38	48" O.C.	51	36" O.C.	64	29" O.C.	77	24" O.C.	90	21" O.C.
	60	10	72" O.C.	20	72" O.C.	31	48" O.C.	41	36" O.C.	51	29" O.C.	62	24" O.C.	82	18" O.C.
	72	8	72" O.C.	17	72" O.C.	25	48" O.C.	34	36" O.C.	43	29" O.C.	51	24" O.C.	68	18" O.C.
	78	7	72" O.C.	15	72" O.C.	23	48" O.C.	31	36" O.C.	39	29" O.C.	47	24" O.C.	63	18" O.C.

FL#20665.2

ENGINEERING EXPRESS
 POSTAL ADDRESS:
 401 W. ATLANTIC AVE R10 #219
 DELRAY BEACH, FL 33444
 ENGINEERINGEXPRESS.COM

OLDCASTLE BUILDING ENVELOPE
 803 AIRPORT ROAD
 TERRELL, TX 75160
 (972) 551-6100

FG-5750 STOREMAX[®] NON-THERMAL
 IMPACT STOREFRONT SYSTEM
 WET & DRY GLAZED

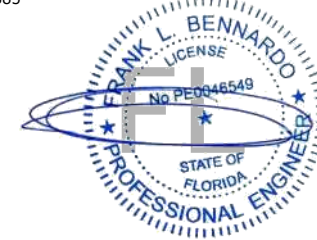
REMARKS	DRWN	CHKD	DATE
INIT. ISSUE	JEM	AJP	09/17/20
REVISIONS	SSO	RS	03/11/22

COPYRIGHT ENGINEERING EXPRESS[®]

20-29229g

SCALE: NTS UNLESS NOTED

c:\users\sam\engineering\express\production - documents\projects\20-29229 oldcastle - fg 5000 & fg 5100\revision order 8879\work\drawings & cad\fg-5750\20-29229g obe - fg-5750g 8-25-22.dwg



FL#20665.2

ENGINEERING EXPRESS
POSTAL ADDRESS:
401 W. ATLANTIC AVE R10 #219
DELRAY BEACH, FL 33444
ENGINEERINGEXPRESS.COM

OLDCASTLE BUILDING ENVELOPE

803 AIRPORT ROAD
TERRELL, TX 75160
(972) 551-6100

FG-5750 STOREMAX[®] NON-THERMAL
IMPACT STOREFRONT SYSTEM
WET & DRY GLAZED

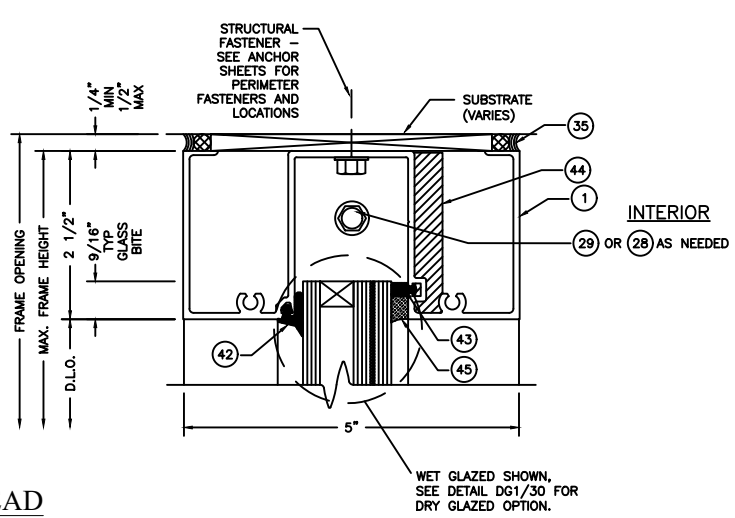
REMARKS	DRWN	CHKD	DATE
INIT ISSUE	JEM	AJP	09/17/20
REVISIONS	SSG	RS	03/11/22

COPYRIGHT ENGINEERING EXPRESS[®]

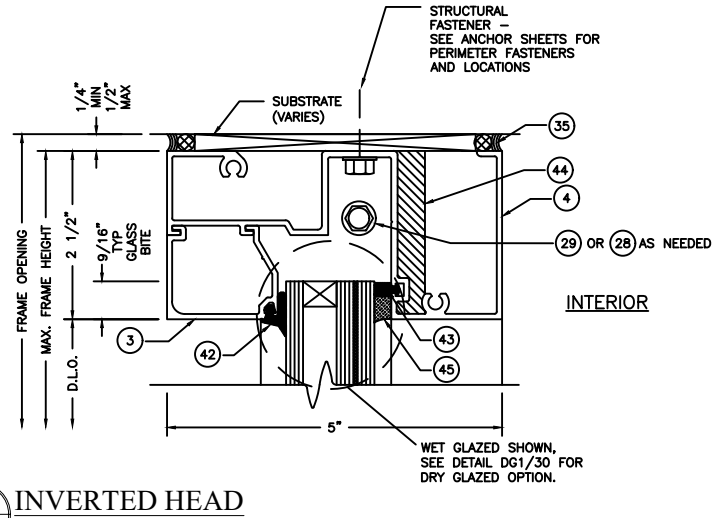
20-29229g

SCALE: NTS UNLESS NOTED

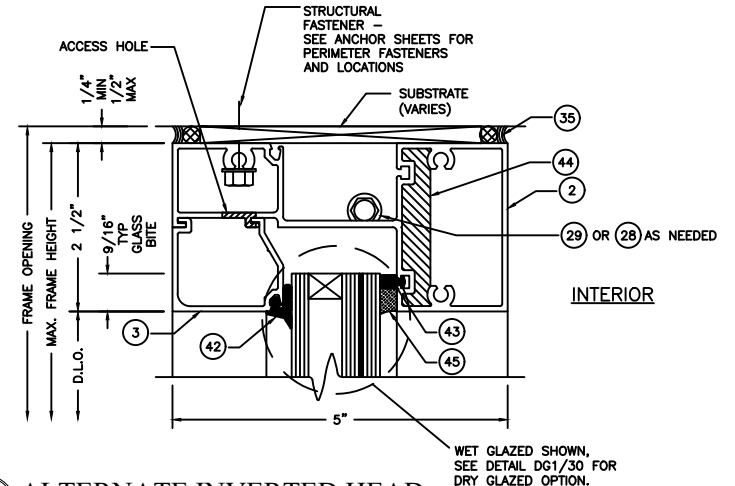
30 OF 43



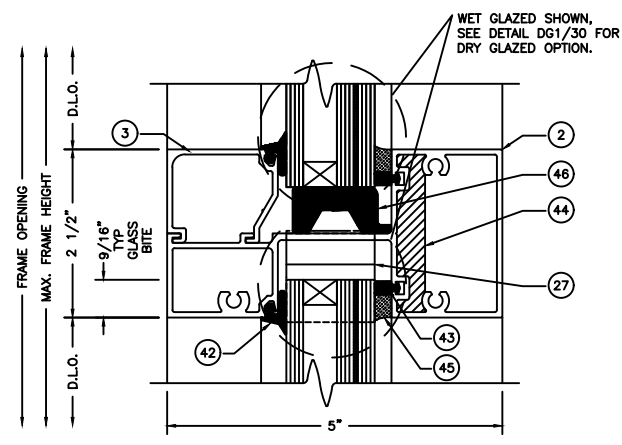
1 HEAD
LIMITED TO +70 / -80 P.S.F



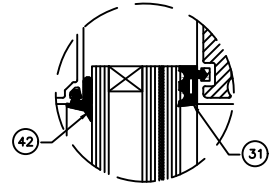
4 INVERTED HEAD
LIMITED TO +70 / -80 P.S.F



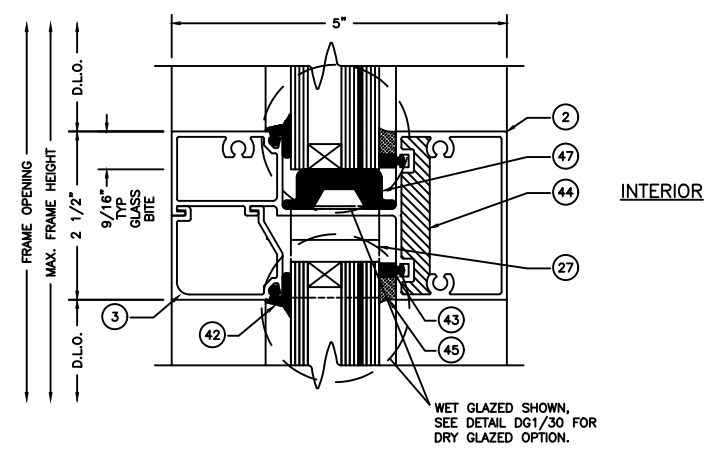
4A ALTERNATE INVERTED HEAD
LIMITED TO +70 / -80 P.S.F



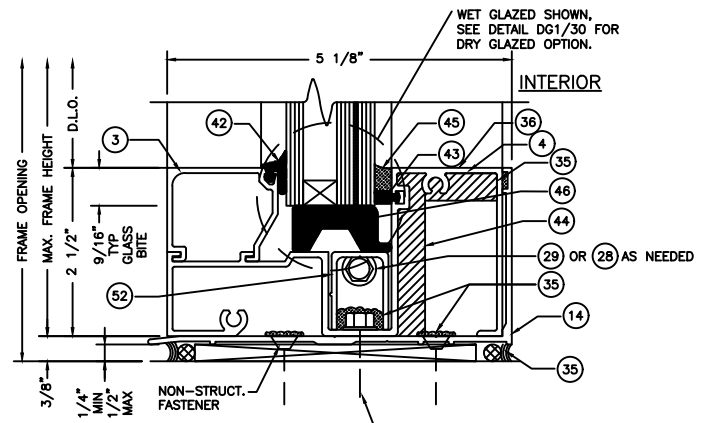
2 HORIZONTAL



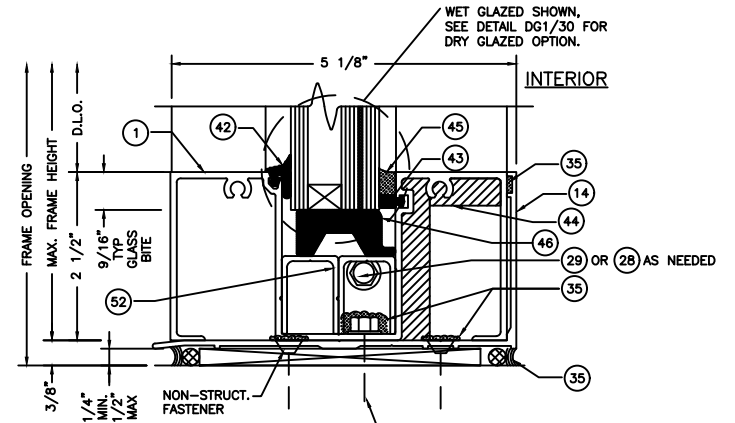
DG1 DRY GLAZED OPTION



5 INVERTED INTERMEDIATE HORIZONTAL



3 SILL
LIMITED TO +70 / -80 P.S.F



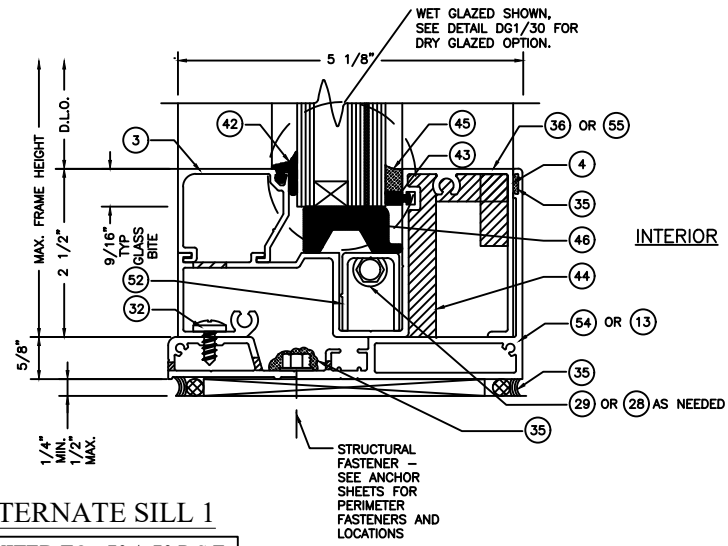
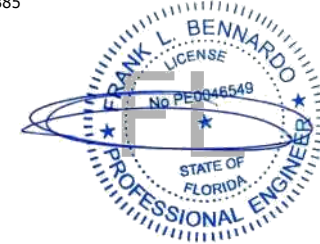
6 INVERTED SILL
LIMITED TO +70 / -80 P.S.F

LOCATE REINFORCEMENT FASTENERS
1-1/4" FROM EACH END.

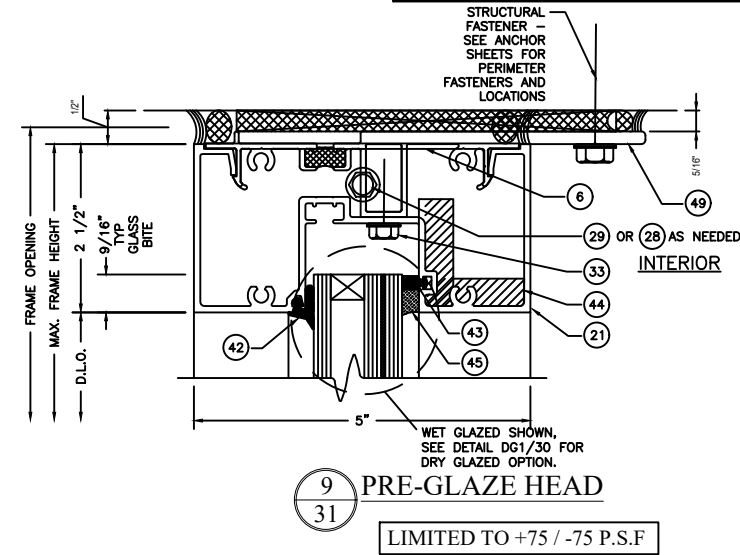
c:\users\sam\engineering\express\production - documents\projects\20-29229 oldcastle - fg 5000 & fg 5100\revision order 8879\work\drawings & cad\fg-5750\20-29229g obe - fg-5750g 8-25-22.dwg

Frank Bennardo
PE# 0046549 CA# 9885

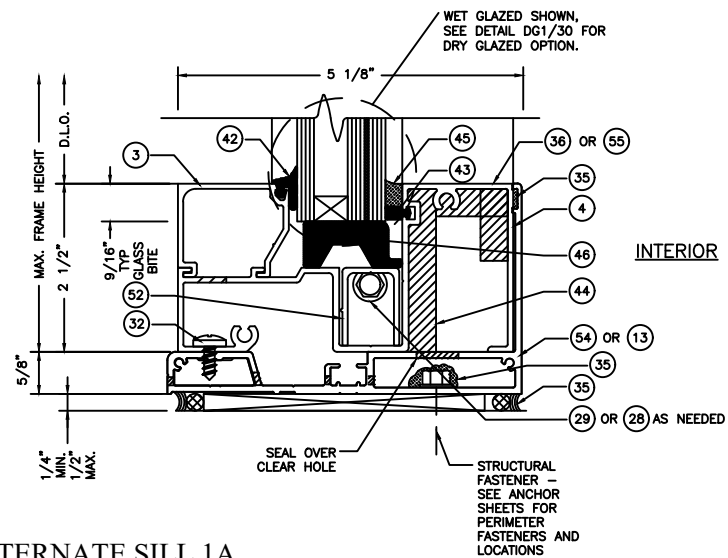
AUGUST 31, 2022



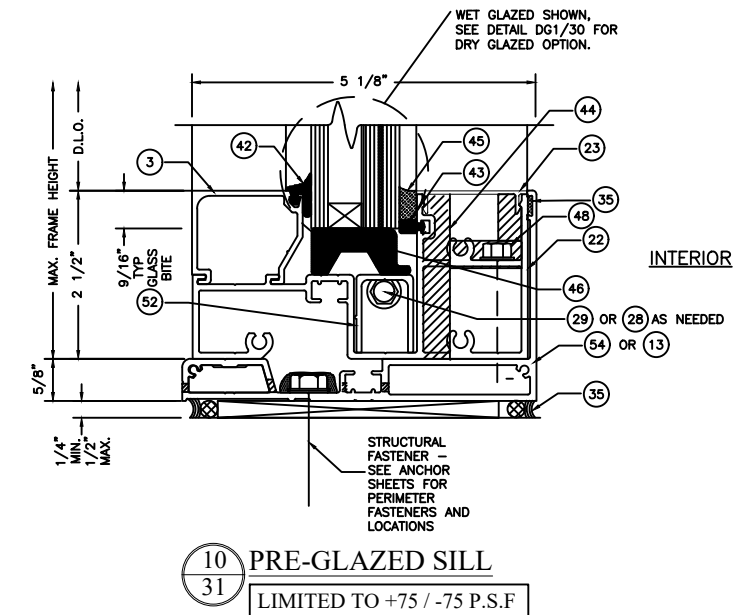
7
31 ALTERNATE SILL 1
LIMITED TO +70 / -70 P.S.F



9
31 PRE-GLAZE HEAD
LIMITED TO +75 / -75 P.S.F



7A
31 ALTERNATE SILL 1A
LIMITED TO +70 / -70 P.S.F



10
31 PRE-GLAZED SILL
LIMITED TO +75 / -75 P.S.F

FL#20665.2

ENGINEERING EXPRESS
POSTAL ADDRESS:
401 W. ATLANTIC AVE R10 #219
DELRAY BEACH, FL 33444
ENGINEERINGEXPRESS.COM

OLDCASTLE BUILDING ENVELOPE

803 AIRPORT ROAD
TERRELL, TX 75160
(972) 551-6100

FG-5750 STOREMAX[®] NON-THERMAL
IMPACT STOREFRONT SYSTEM
WET & DRY GLAZED

REMARKS	DRWN	CHKD	DATE
INIT ISSUE	JEM	AJP	09/17/20
REVISIONS	SSG	RS	03/11/22

COPYRIGHT ENGINEERING EXPRESS[®]

20-29229g

SCALE: NTS UNLESS NOTED

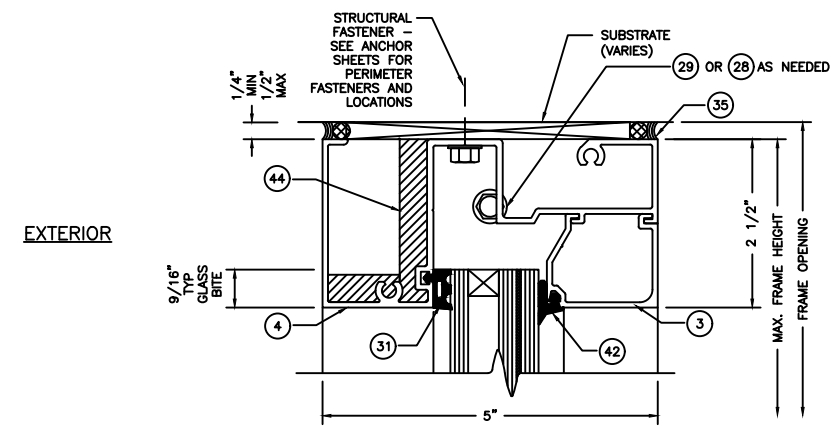
31 OF 43

LOCATE REINFORCEMENT FASTENERS
1-1/4" FROM EACH END.

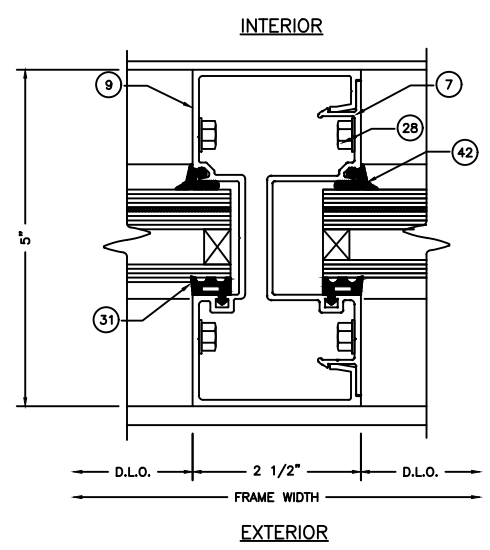
c:\users\sam\engineering\express\production - documents\projects\20-29229 oldcastle - fg 5000 & fg 5100\revision order 8879\work\drawings & cad\fg-5750\20-29229g obe - fg-5750g 8-25-22.dwg

Frank Bennardo
PE# 001548 SA# 9885
INTERIOR

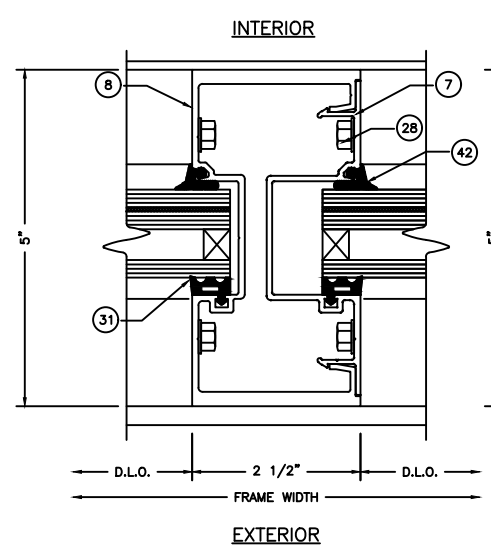
AUGUST 31, 2022



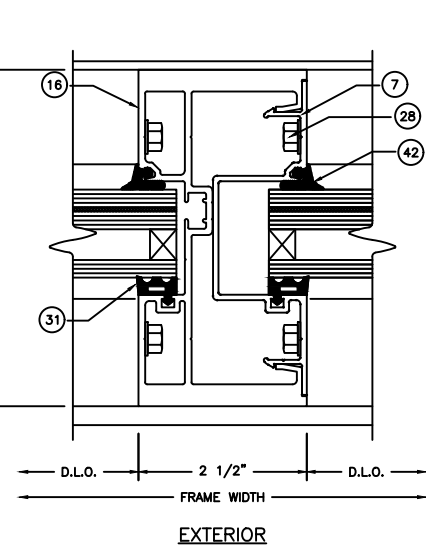
9.1 INSIDE GLAZED HEAD
32 LIMITED TO +70 / -80 P.S.F



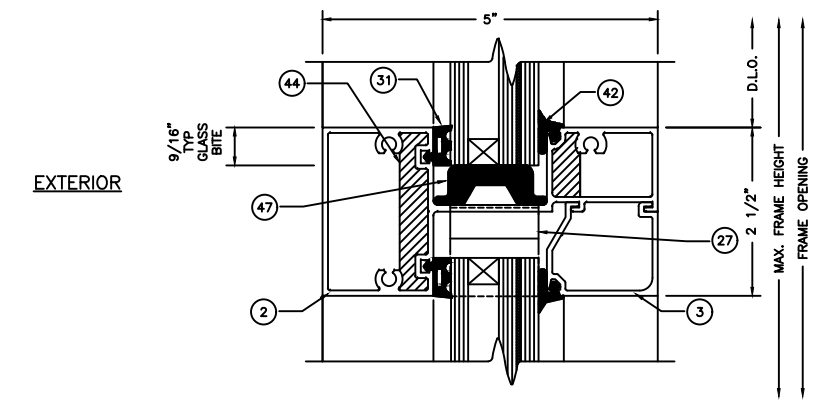
12 INSIDE SET VERTICAL
32 M1



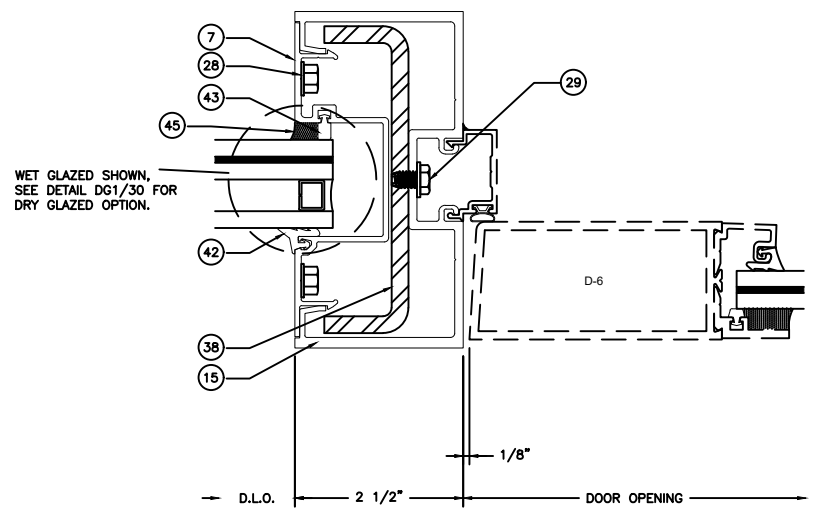
13 INSIDE SET HEAVY VERTICAL
32 M3



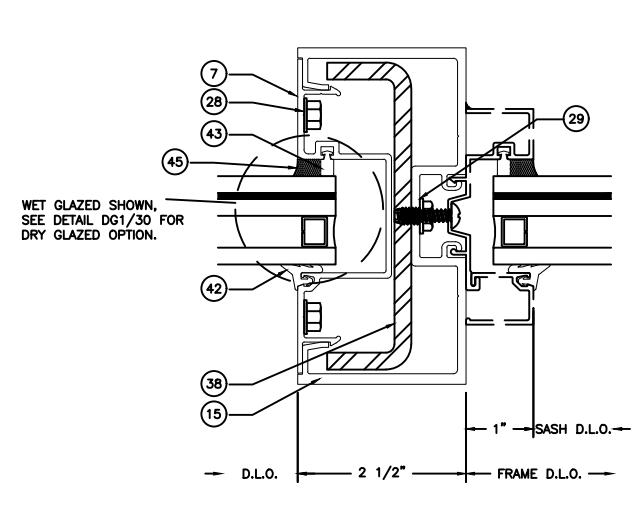
13.1 INSIDE SET HEAVY VERTICAL
32 M9



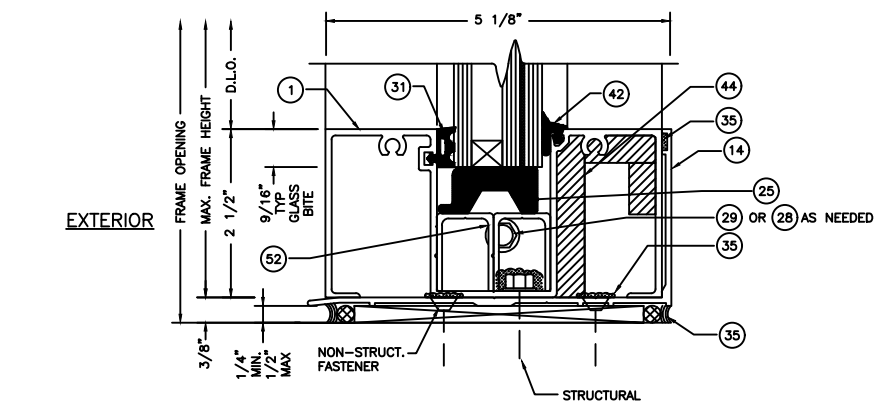
10.1 INSIDE GLAZED INTERMEDIATE HORIZONTAL
32



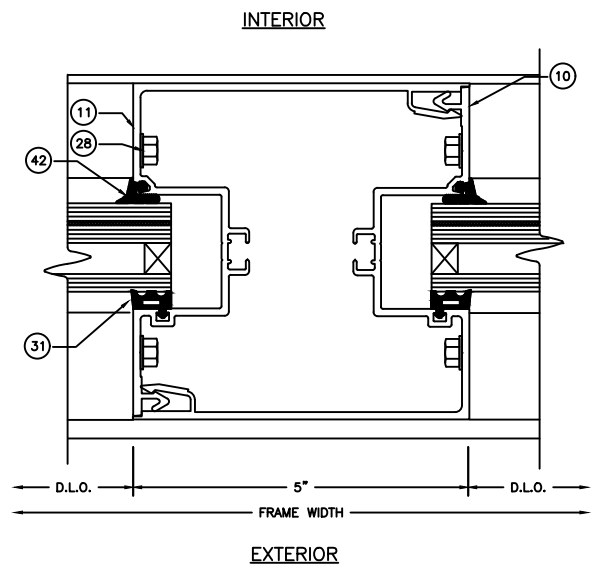
16.1 INTERMEDIATE DOOR JAMB AT SIDELITE
32 M11



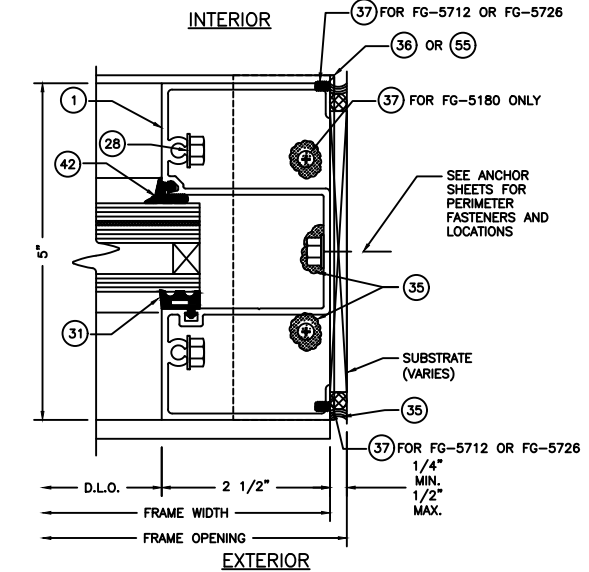
16.2 INTERMEDIATE TRANSOM MULLION AT SIDELITE
32 M11



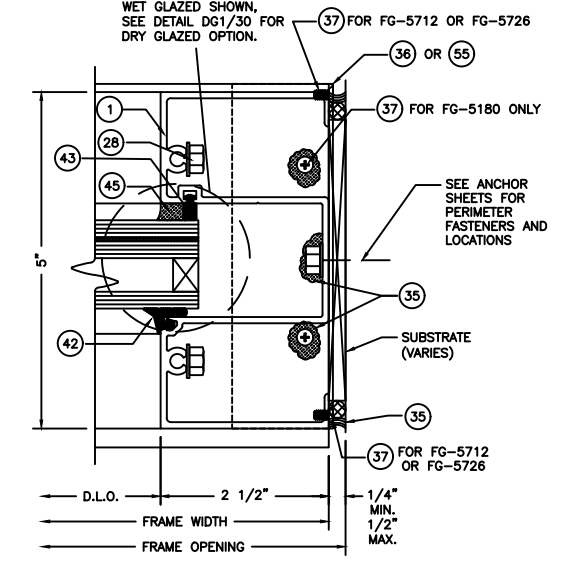
11 INSIDE GLAZED SILL
32 LIMITED TO +70 / -80 P.S.F



14 INSIDE SET 5" VERTICAL MULLION
32 M8



15 INSIDE SET JAMB VERTICAL
32



15.1 JAMB VERTICAL
32

LOCATE REINFORCEMENT FASTENERS
1-1/4" FROM EACH END.

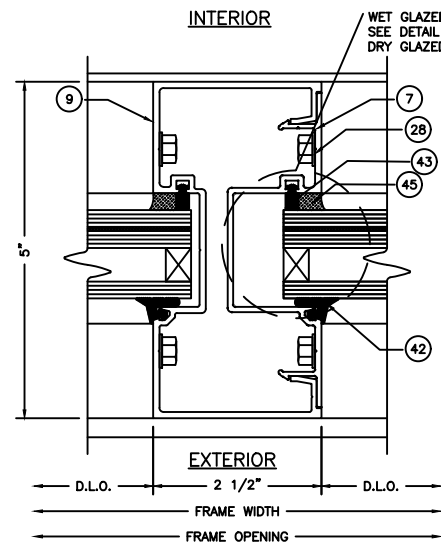
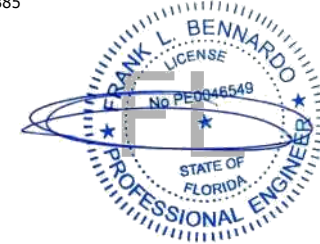
FL#20665.2

ENGINEERING EXPRESS
POSTAL ADDRESS:
401 W. ATLANTIC AVE R10 #219
DELRAY BEACH, FL 33444
ENGINEERINGEXPRESS.COM

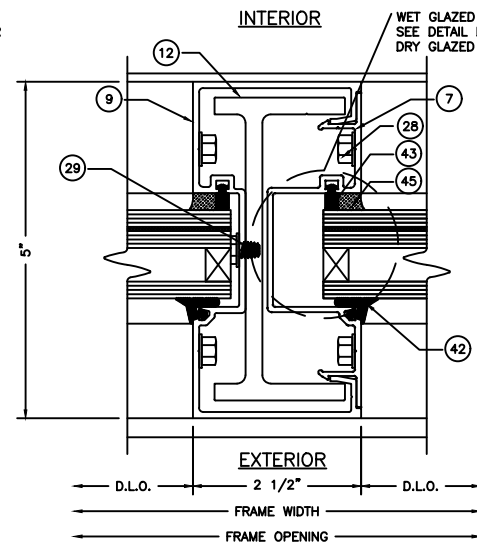
OLDCASTLE BUILDING ENVELOPE
803 AIRPORT ROAD
TERRELL, TX 75160
(972) 551-6100
FG-5750 STOREMAX[®] NON-THERMAL
IMPACT STOREFRONT SYSTEM
WET & DRY GLAZED

REVISIONS	DATE	DRWN	CHKD
INIT	09/17/20	JEM	AJP
REVISIONS	03/11/22	SSO	RS

20-29229g
SCALE: NTS UNLESS NOTED

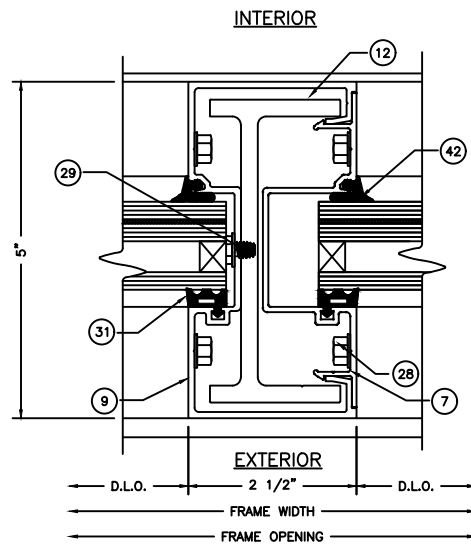


16 STANDARD VERTICAL
33 M1



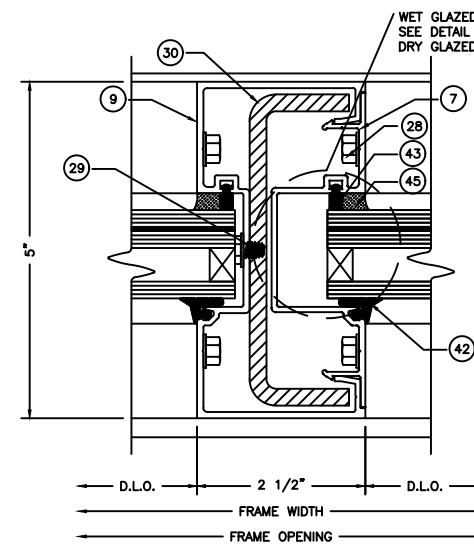
17 VERTICAL WITH
33 ALUMINUM REINFORCEMENT

NOTE:
MULLION CAN BE USED UNDER SITE SPECIFIC
ENGINEERING AND SHALL BE APPROVED BY
THE AUTHORITY HAVING JURISDICTION (AHJ).

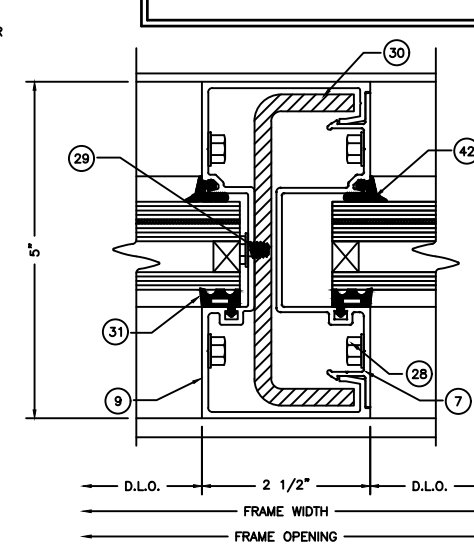


17.1 INSIDE SET VERTICAL WITH
33 ALUMINUM REINFORCEMENT

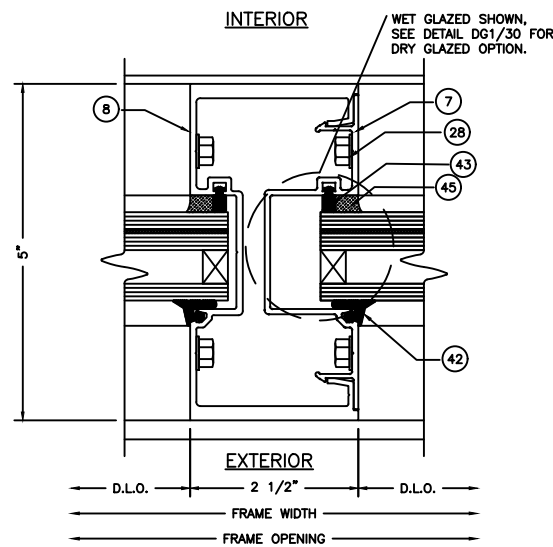
NOTE:
MULLION CAN BE USED UNDER SITE SPECIFIC
ENGINEERING AND SHALL BE APPROVED BY
THE AUTHORITY HAVING JURISDICTION (AHJ).



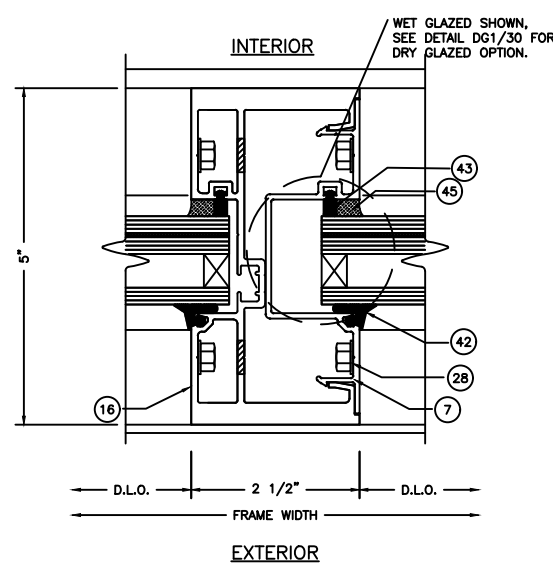
18 VERTICAL WITH
33 STEEL REINFORCEMENT
M5



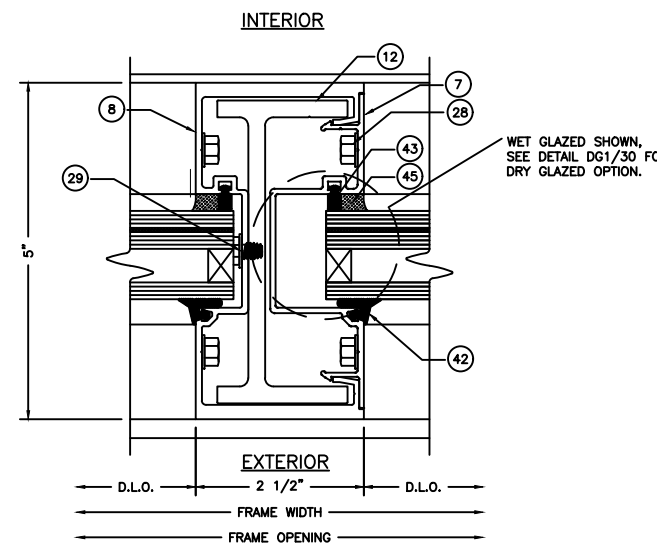
18.1 INSIDE SET VERTICAL WITH
33 STEEL REINFORCEMENT
M5



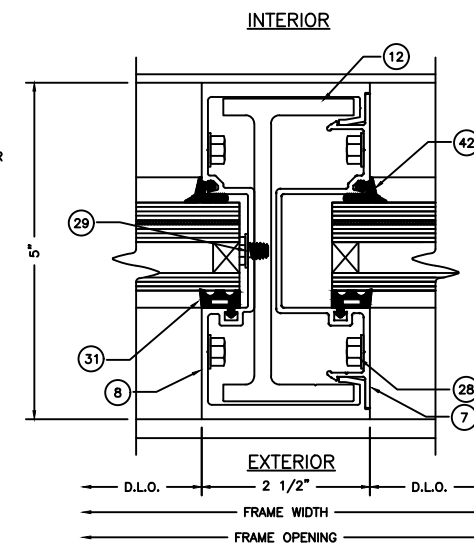
19 HEAVY VERTICAL
33 M3



19.1 HEAVY VERTICAL
33 M10



20 HEAVY VERTICAL WITH
33 ALUMINUM REINFORCEMENT
M4



21 INSIDE SET HEAVY VERTICAL WITH
33 ALUMINUM REINFORCEMENT
M4

LOCATE REINFORCEMENT FASTENERS
1-1/4" FROM EACH END.

FL#20665.2

ENGINEERING EXPRESS
POSTAL ADDRESS:
401 W. ATLANTIC AVE R10 #219
DELRAY BEACH, FL 33444
ENGINEERINGEXPRESS.COM

OLDCASTLE BUILDING ENVELOPE
803 AIRPORT ROAD
TERRELL, TX 75160
(972) 551-6100
FG-5750 STOREMAX[®] NON-THERMAL
IMPACT STOREFRONT SYSTEM
WET & DRY GLAZED

DRWN	CHKD	DATE
JEM	AJP	09/17/20
SSO	RS	03/11/22

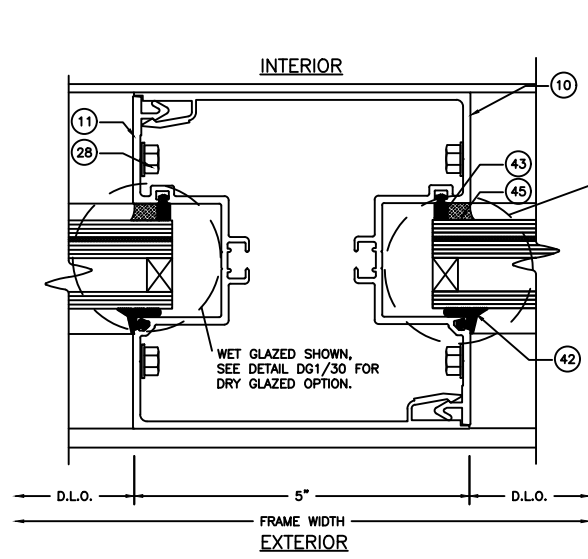
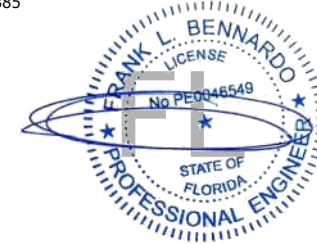
COPYRIGHT ENGINEERING EXPRESS[®]

20-29229g

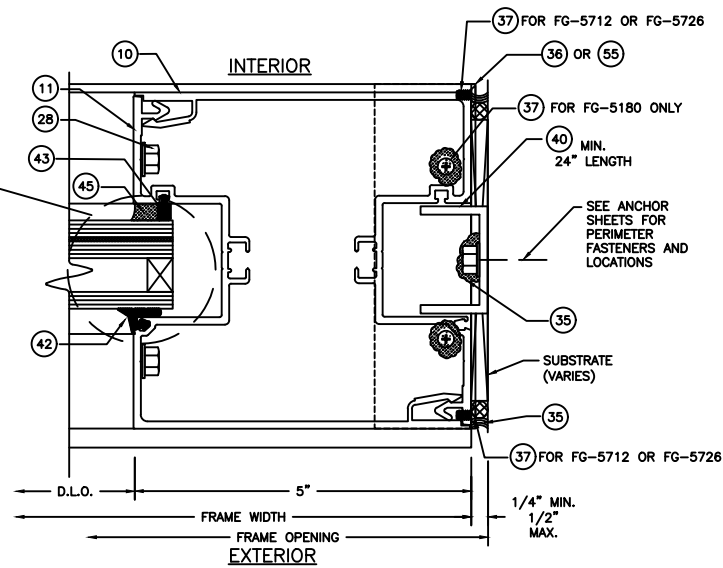
SCALE: NTS UNLESS NOTED

33 OF 43

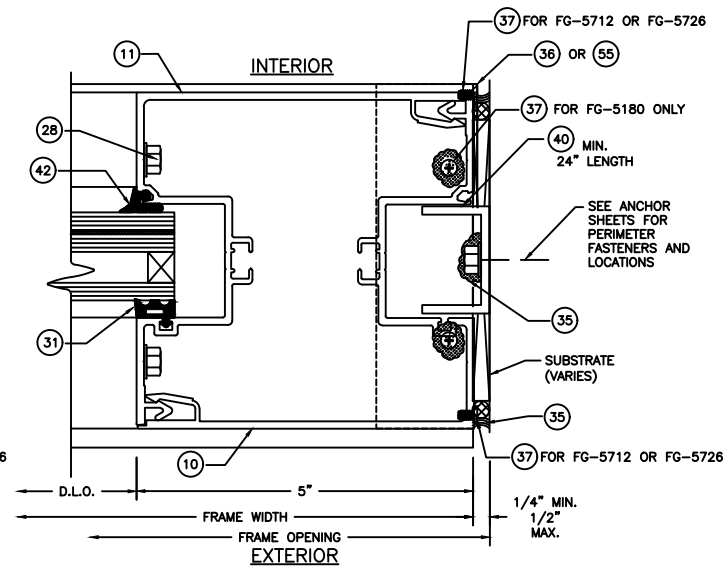
c:\users\sam\engineering\express\production - documents\projects\20-29229g\oldcastle - fg-5750 & fg-5750g\work\drawings & cad\fg-5750\20-29229g obe - fg-5750g 8-25-22.dwg



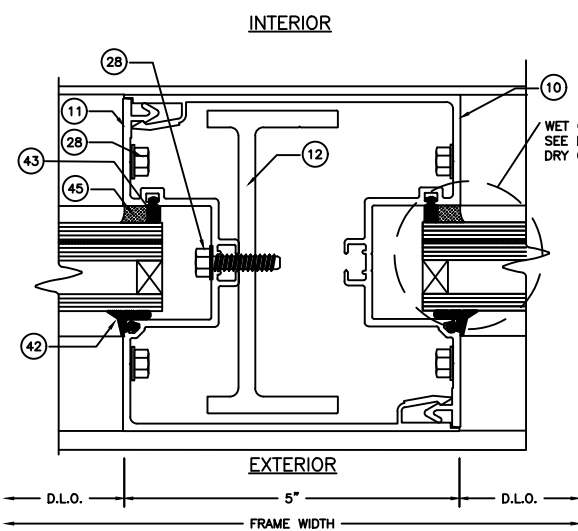
22 5" VERTICAL MULLION
34 M8



23 5" JAMB VERTICAL
34

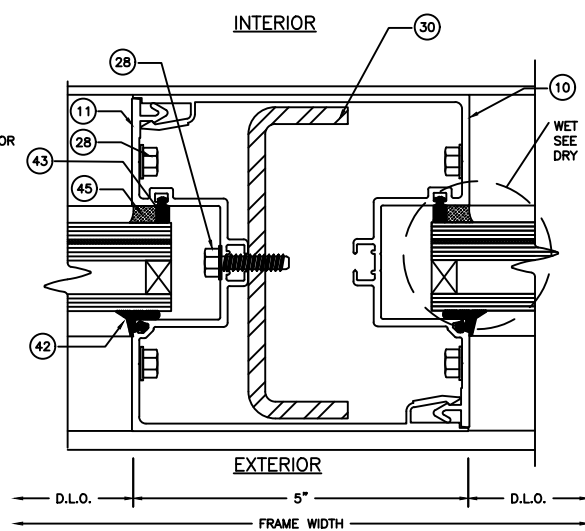


24 INSIDE SET 5" JAMB VERTICAL
34



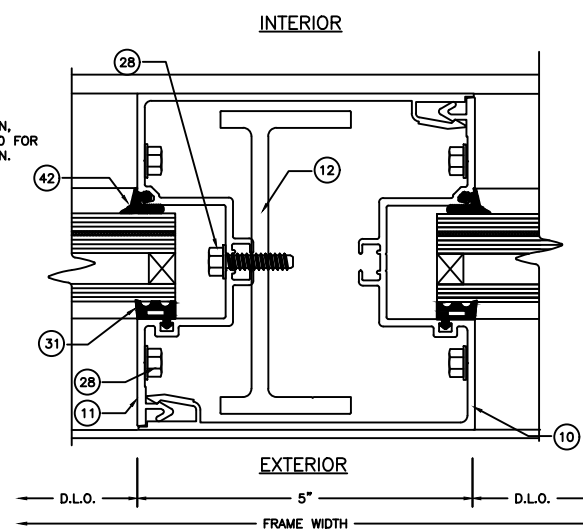
25 5" VERTICAL MULLION
34 WITH FG-5720 REINFORCEMENT

NOTE:
MULLION CAN BE USED UNDER SITE SPECIFIC
ENGINEERING AND SHALL BE APPROVED BY
THE AUTHORITY HAVING JURISDICTION (AHJ).



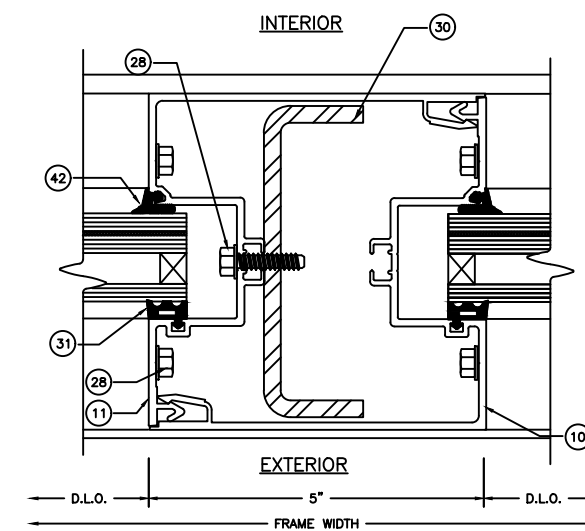
26 5" VERTICAL MULLION
34 WITH RS-30 REINFORCEMENT

NOTE:
MULLION CAN BE USED UNDER SITE SPECIFIC
ENGINEERING AND SHALL BE APPROVED BY
THE AUTHORITY HAVING JURISDICTION (AHJ).



27 INSIDE SET 5" VERTICAL MULLION
34 WITH FG-5720 REINFORCEMENT

NOTE:
MULLION CAN BE USED UNDER SITE SPECIFIC
ENGINEERING AND SHALL BE APPROVED BY
THE AUTHORITY HAVING JURISDICTION (AHJ).



28 INSIDE SET 5" VERTICAL MULLION
34 WITH RS-30 REINFORCEMENT

NOTE:
MULLION CAN BE USED UNDER SITE SPECIFIC
ENGINEERING AND SHALL BE APPROVED BY
THE AUTHORITY HAVING JURISDICTION (AHJ).

LOCATE REINFORCEMENT FASTENERS
1-1/4" FROM EACH END.

FL#20665.2

ENGINEERING EXPRESS
POSTAL ADDRESS:
401 W. ATLANTIC AVE R10 #219
DELRAY BEACH, FL 33444
ENGINEERINGEXPRESS.COM

OLDCASTLE BUILDING ENVELOPE
803 AIRPORT ROAD
TERRELL, TX 75160
(972) 551-6100

FG-5750 STOREMAX[®] NON-THERMAL
IMPACT STOREFRONT SYSTEM
WET & DRY GLAZED

REMARKS	DRWN	CHKD	DATE
INIT ISSUE	JEM	AJP	09/17/20
REVISIONS	SSG	RS	03/11/22

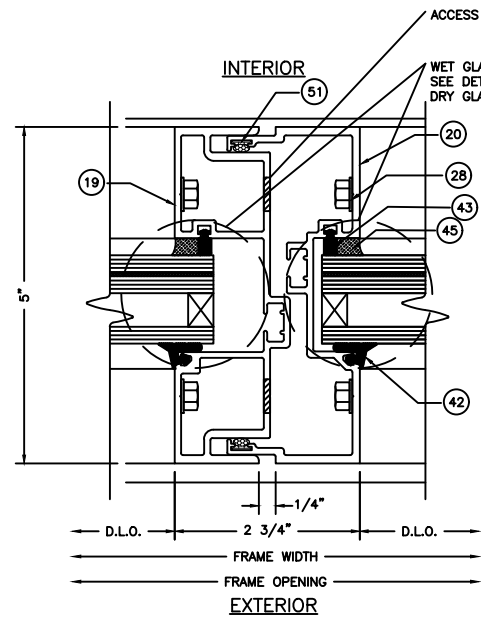
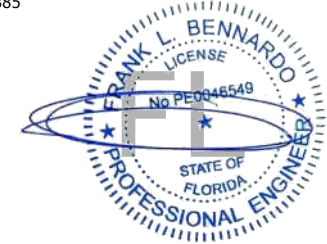
COPYRIGHT ENGINEERING EXPRESS[®]

20-29229g

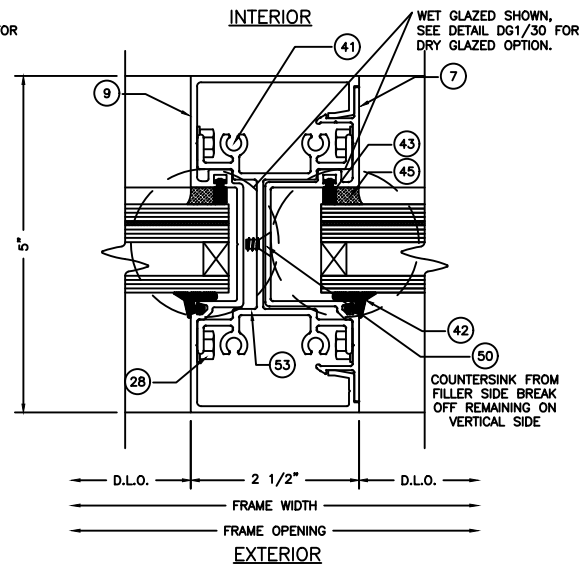
SCALE: NTS UNLESS NOTED

34 OF 43

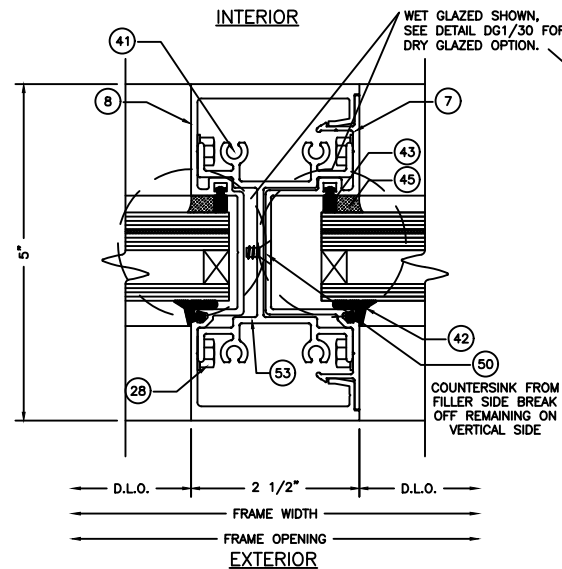
c:\users\sam\engineering\express\production - documents\projects\20-29229 oldcastle - fg 5000 & fg 5100\revision order 8879\work\drawings & cad\fg-5750\20-29229g obe - fg-5750g 8-25-22.dwg 8/31/2022 2:06 PM SAM



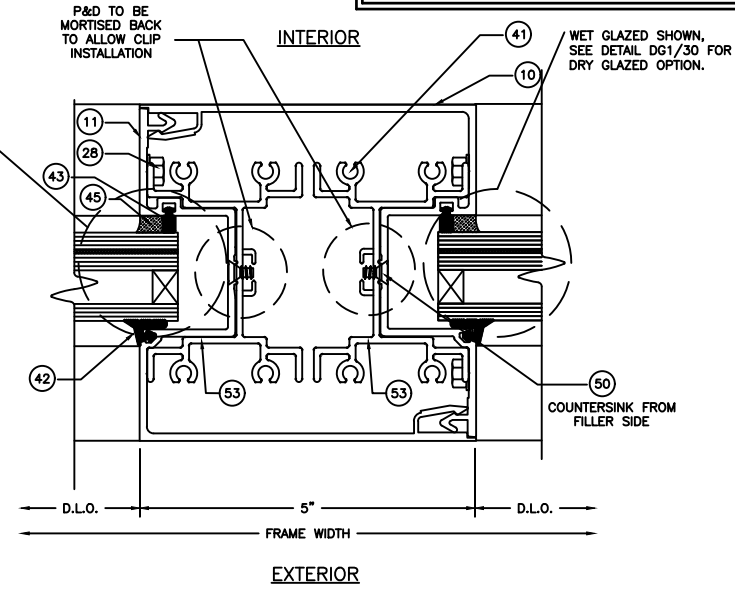
29
35 EXPANSION VERTICAL
M2
NOTE: APPROVED FOR USE
OUTSIDE HVHZ



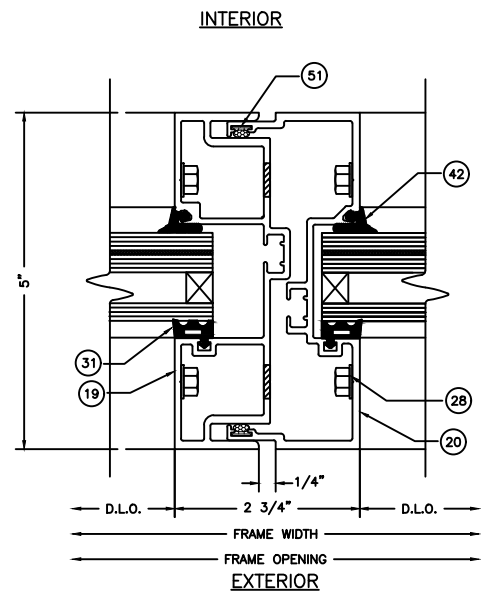
30
35 CRIPPLED VERTICAL



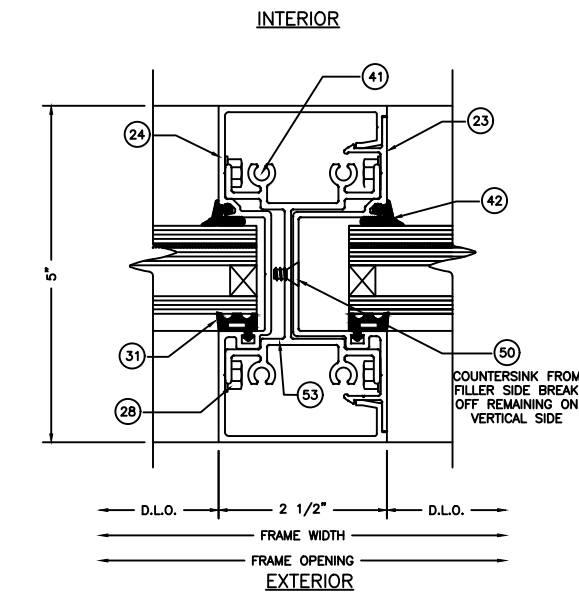
31
35 CRIPPLED HEAVY VERTICAL



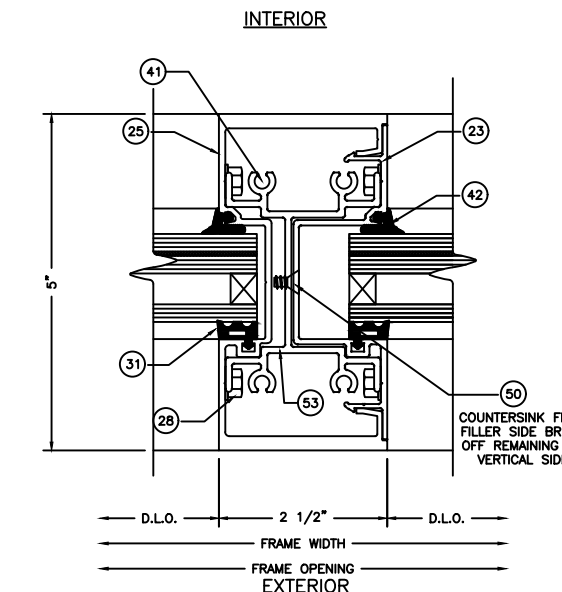
32
35 CRIPPLED 5" VERTICAL MULLION



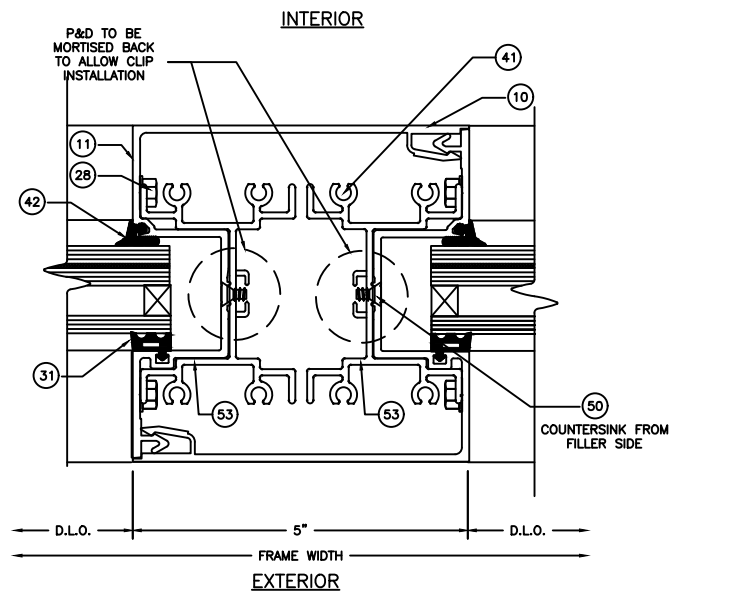
33
35 INSIDE SET EXPANSION VERTICAL
M2
NOTE: APPROVED FOR USE
OUTSIDE HVHZ



34
35 INSIDE SET CRIPPLED VERTICAL



35
35 INSIDE SET CRIPPLED HEAVY VERTICAL



36
35 INSIDE SET CRIPPLED 5" VERTICAL MULLION

FL#20665.2

ENGINEERING EXPRESS
POSTAL ADDRESS:
401 W. ATLANTIC AVE R10 #219
DELRAY BEACH, FL 33444
ENGINEERINGEXPRESS.COM

OLDCASTLE BUILDING ENVELOPE
803 AIRPORT ROAD
TERRELL, TX 75160
(972) 551-6100
FG-5750 STOREMAX[®] NON-THERMAL
IMPACT STOREFRONT SYSTEM
WET & DRY GLAZED

REMARKS	DATE	DRWN	CHKD
INIT. ISSUE	09/17/20	JEM	AJP
REVISIONS	03/11/22	SSG	RS

COPYRIGHT ENGINEERING EXPRESS[®]

20-29229g

SCALE: NTS UNLESS NOTED

35 OF 43

SHEAR BLOCKS USE FOUR
(4) **41** FASTENERS EACH.

NOTE:
CRIPPLED VERTICAL MULLIONS SHOWN
HEREIN CAN BE USED UNDER SITE SPECIFIC
ENGINEERING AND SHALL BE APPROVED BY
THE AUTHORITY HAVING JURISDICTION (AHJ).

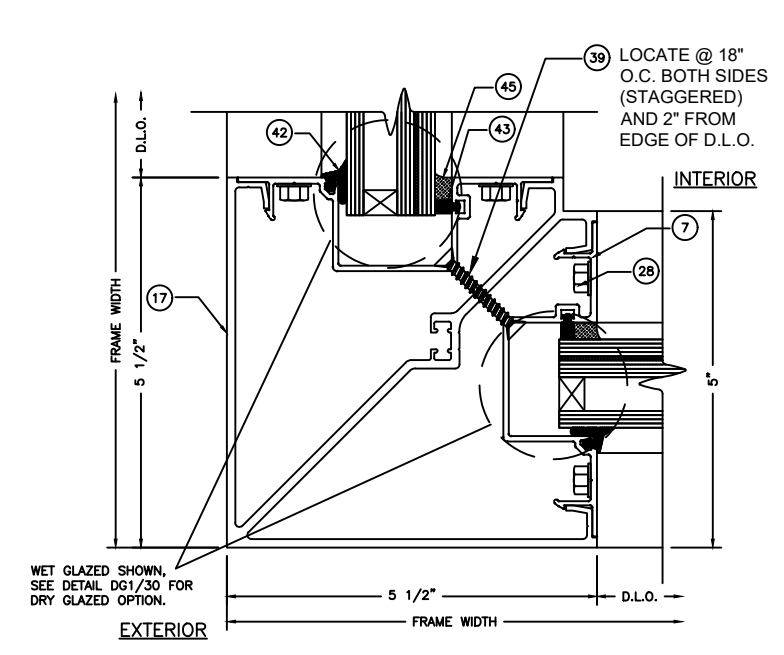
c:\users\sam\engineering\production - documents\projects\20-29229 oldcastle - fg 5000 & fg 5100\revision order 8879\work\drawings & cad\fg-5750\20-29229g obe - fg-5750g 8-25-22.dwg

8/31/2022 2:06 PM SAM

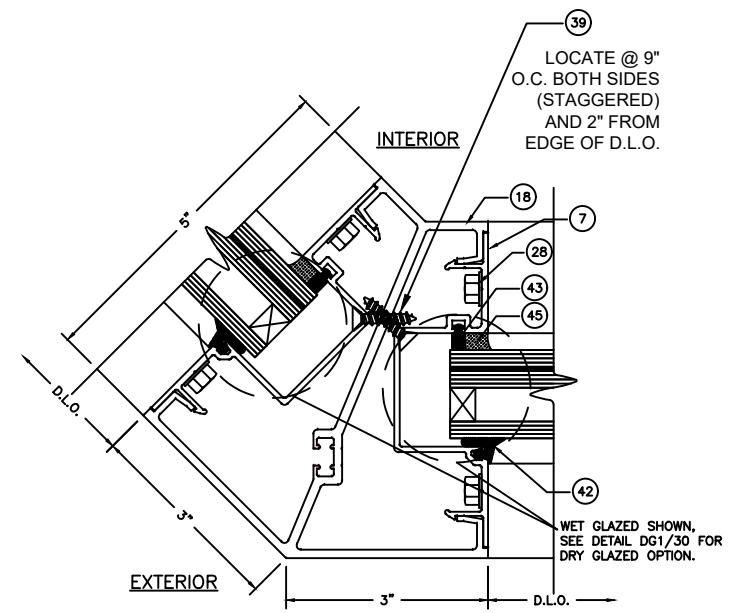
c:\users\sam\engineering\express\production - documents\projects\20-29229 oldcastle - fg 5000 & fg 5100\revision order 8879\work\drawings & cad\fg-5750\20-29229g obe - fg-5750g 8-25-22.dwg

Frank Bennardo
PE# 0046549 CA# 9885

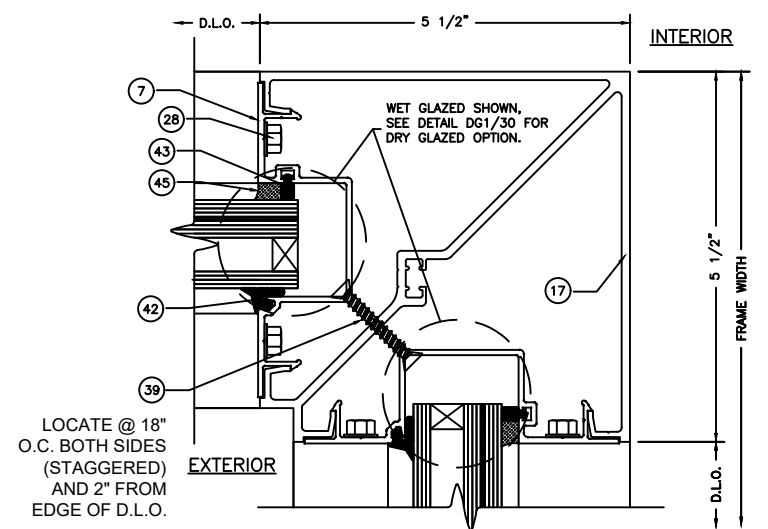
AUGUST 31, 2022



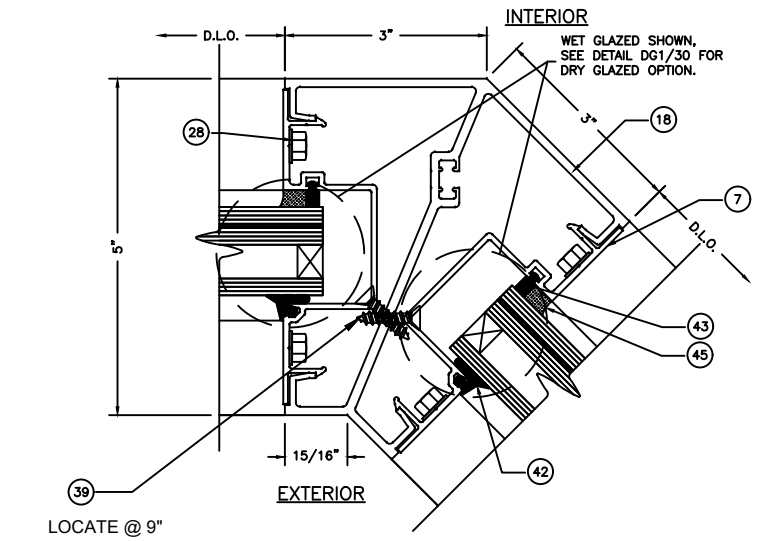
37 90° CORNER POST
36 M6
NOTE: APPROVED FOR USE OUTSIDE HVHZ



38 135° CORNER POST
36 M7
NOTE: APPROVED FOR USE OUTSIDE HVHZ



39 90° INSIDE CORNER POST
36 M6
NOTE: APPROVED FOR USE OUTSIDE HVHZ



40 135° INSIDE CORNER POST
36 M7
NOTE: APPROVED FOR USE OUTSIDE HVHZ

FL#20665.2

POSTAL ADDRESS:
401 W. ATLANTIC AVE R10 #219
DELRAY BEACH, FL 33444
ENGINEERINGEXPRESS.COM

OLDCASTLE BUILDING ENVELOPE
803 AIRPORT ROAD
TERRELL, TX 75160
(972) 551-6100

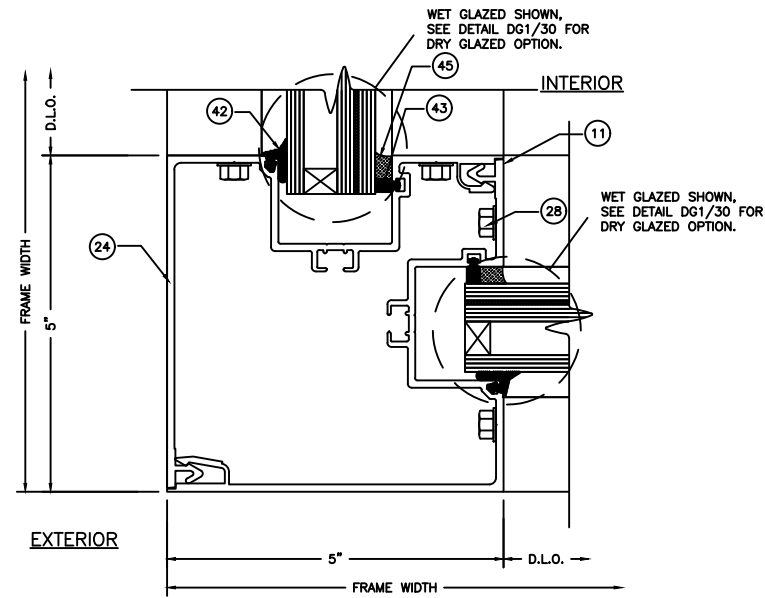
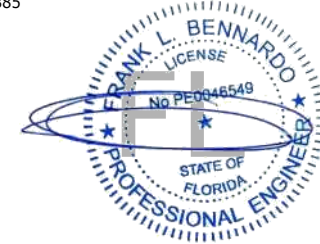
FG-5750 STOREMAX[®] NON-THERMAL
IMPACT STOREFRONT SYSTEM
WET & DRY GLAZED

REMARKS	DRWN	CHKD	DATE
INIT. ISSUE	JEM	AJP	09/17/20
REVISIONS	SSO	RS	03/11/22

COPYRIGHT ENGINEERING EXPRESS[®]

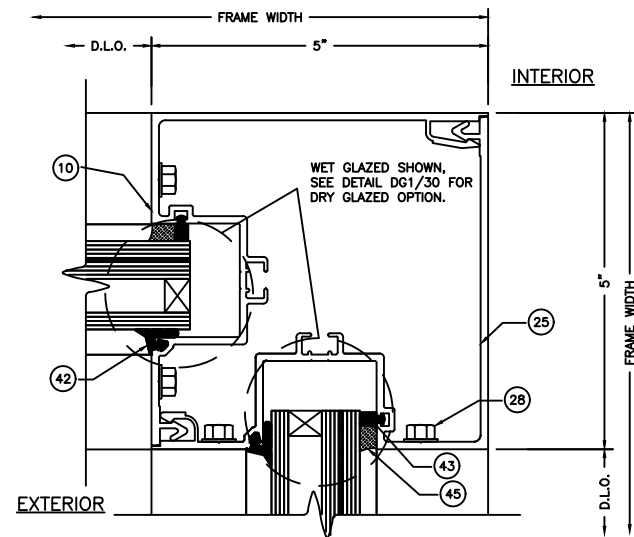
20-29229g

SCALE: NTS UNLESS NOTED



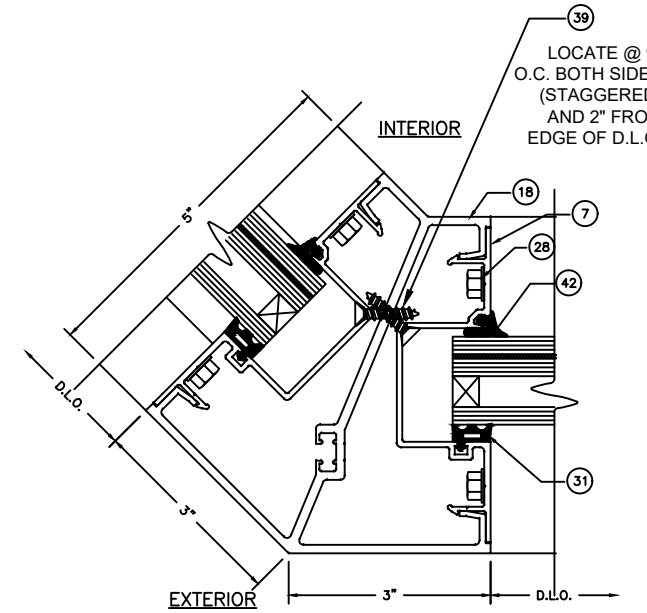
41
37 90° CORNER POST

NOTE:
MULLION CAN BE USED UNDER SITE SPECIFIC ENGINEERING AND SHALL BE APPROVED BY THE AUTHORITY HAVING JURISDICTION (AHJ).



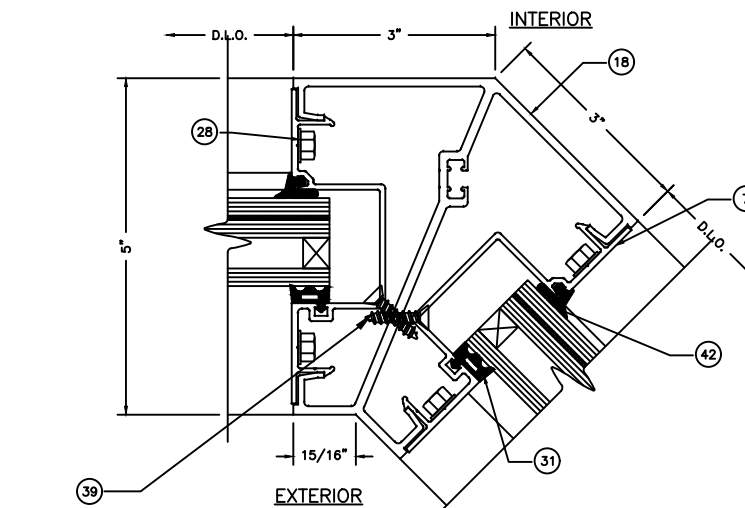
43
37 INSIDE 90° CORNER ASSEMBLY

NOTE:
MULLION CAN BE USED UNDER SITE SPECIFIC ENGINEERING AND SHALL BE APPROVED BY THE AUTHORITY HAVING JURISDICTION (AHJ).



42
37 INSIDE SET OS 135° CORNER POST
M7

NOTE: APPROVED FOR USE OUTSIDE HVHZ



44
37 INSIDE SET IS 135° CORNER POST
M7

NOTE: APPROVED FOR USE OUTSIDE HVHZ

FL#20665.2

ENGINEERING EXPRESS
POSTAL ADDRESS:
401 W. ATLANTIC AVE R10 #219
DELRAY BEACH, FL 33444
ENGINEERINGEXPRESS.COM

OLDCASTLE BUILDING ENVELOPE
803 AIRPORT ROAD
TERRELL, TX 75160
(972) 551-6100

FG-5750 STOREMAX[®] NON-THERMAL
IMPACT STOREFRONT SYSTEM
WET & DRY GLAZED

REMARKS	DRWN	CHKD	DATE
INIT. ISSUE	JEM	AJP	09/17/20
REVISIONS	SSO	RS	03/11/22

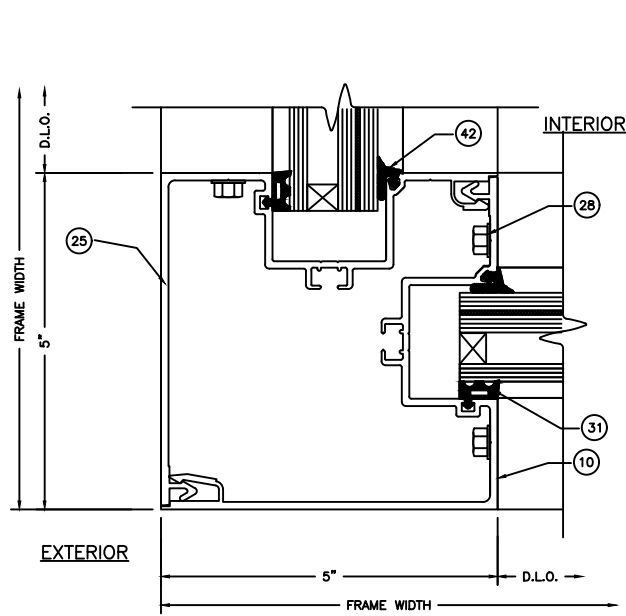
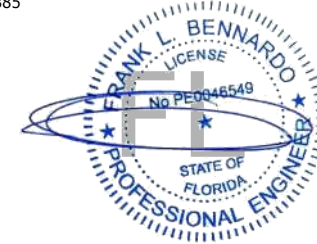
COPYRIGHT ENGINEERING EXPRESS[®]

20-29229g

SCALE: NTS UNLESS NOTED

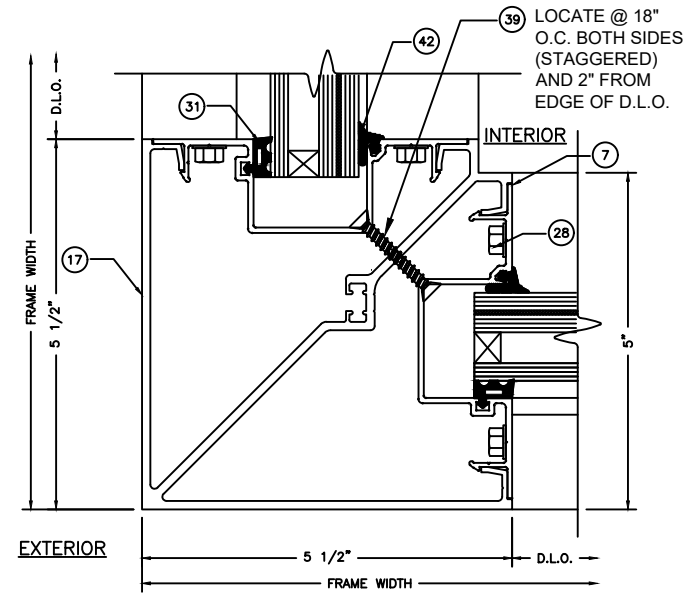
37 OF 43

c:\users\sam\engineering\express\production - documents\projects\20-29229 oldcastle - fg 5000 & fg 5100\revision order 8879\work\drawings & cad\fg-5750\20-29229g obe - fg-5750g 8-25-22.dwg



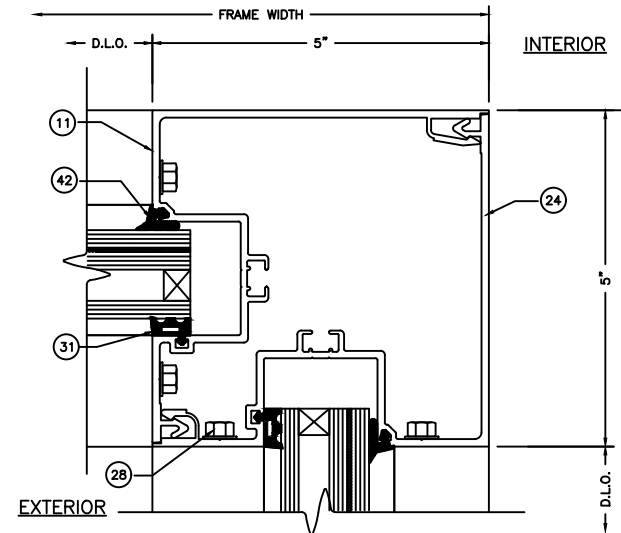
45
38 INSIDE SET OS90° CORNER ASSEMBLY

NOTE:
MULLION CAN BE USED UNDER SITE SPECIFIC
ENGINEERING AND SHALL BE APPROVED BY
THE AUTHORITY HAVING JURISDICTION (AHJ).



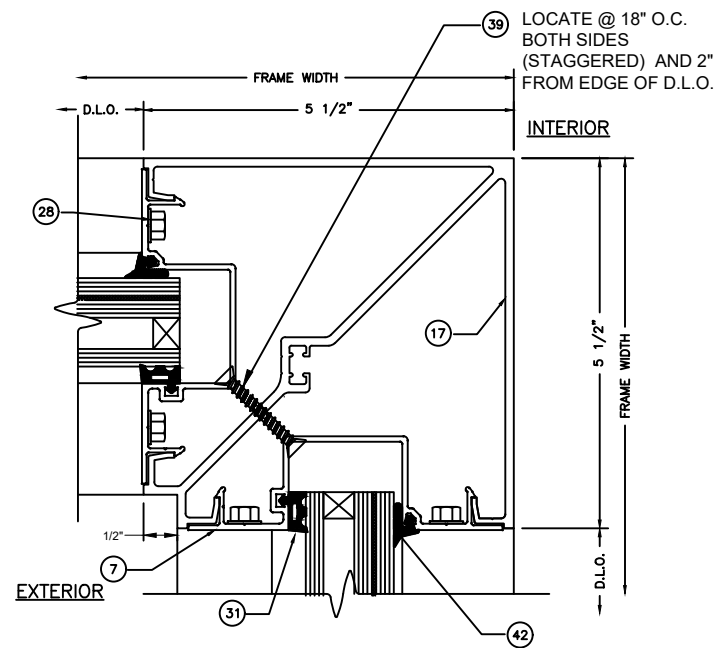
46
38 INSIDE SET OS90° CORNER POST
M6

NOTE: APPROVED FOR USE
OUTSIDE HVHZ



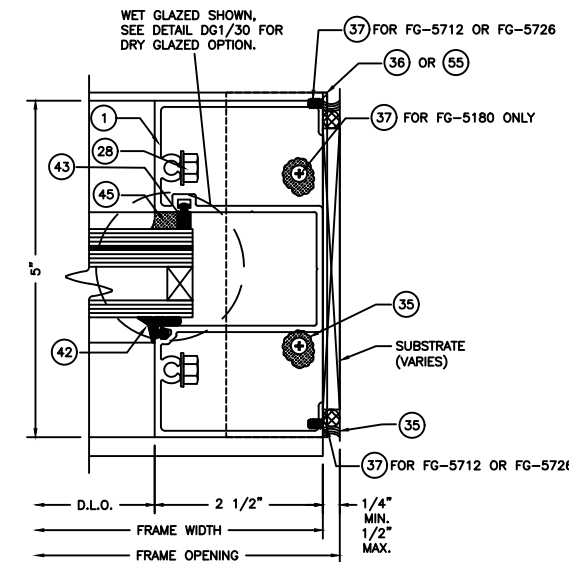
47
38 INSIDE SET IS90° CORNER ASSEMBLY

NOTE:
MULLION CAN BE USED UNDER SITE SPECIFIC
ENGINEERING AND SHALL BE APPROVED BY
THE AUTHORITY HAVING JURISDICTION (AHJ).

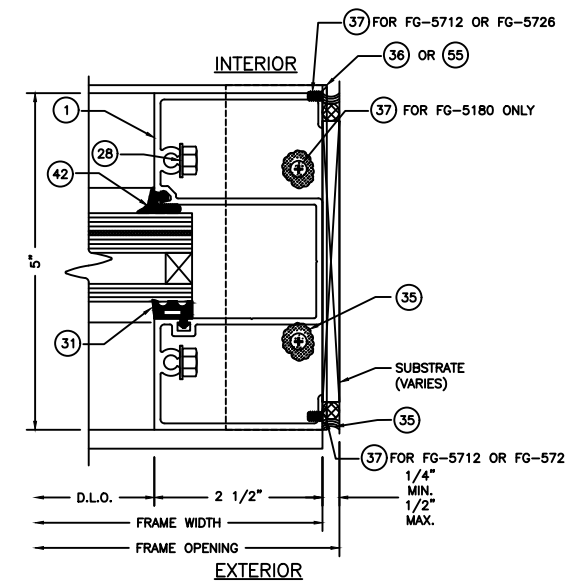


48
38 INSIDE SET IS90° CORNER POST
M6

NOTE: APPROVED FOR USE
OUTSIDE HVHZ



49
38 JAMB VERTICAL (NON ANCHORED)
J1



50
38 INSIDE SET JAMB VERTICAL (NON ANCHORED)
J1

FL#20665.2

ENGINEERING EXPRESS
POSTAL ADDRESS:
401 W. ATLANTIC AVE R10 #219
DELRAY BEACH, FL 33444
ENGINEERINGEXPRESS.COM

OLDCASTLE BUILDING ENVELOPE
803 AIRPORT ROAD
TERRELL, TX 75160
(972) 551-6100
FG-5750 STOREMAX[®] NON-THERMAL
IMPACT STOREFRONT SYSTEM
WET & DRY GLAZED

REMARKS	DRWN	CHKD	DATE
INIT ISSUE	JEM	AJP	09/17/20
REVISIONS	SSO	RS	03/11/22

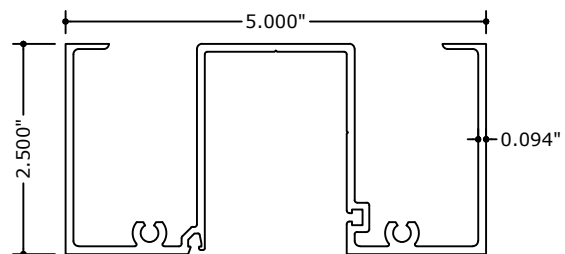
COPYRIGHT ENGINEERING EXPRESS[®]

20-29229g

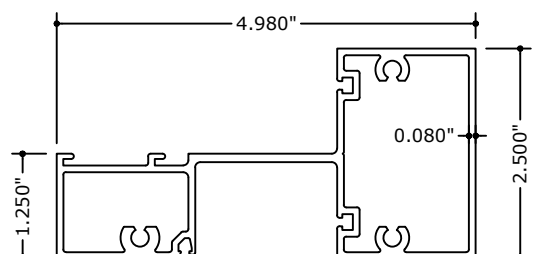
SCALE: NTS UNLESS NOTED

c:\users\sam\engineering\express\production - documents\projects\20-29229 oldcastle - fg 5000 & fg 5100\revision order 8879\work\drawings & cad\fg-5750\20-29229g obe - fg-5750g 8-25-22.dwg 8/31/2022 2:06 PM SAM

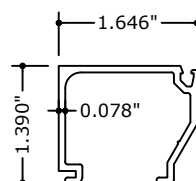
c:\users\sam\engineering\express\production - documents\projects\20-29229 oldcastle - fg 5000 & fg 5100\revision order 8879\work\drawings & cad\fg-5750\20-29229g obe - fg-5750g 8-25-22.dwg



1 FG-5750
HEAD/SILL/JAMB



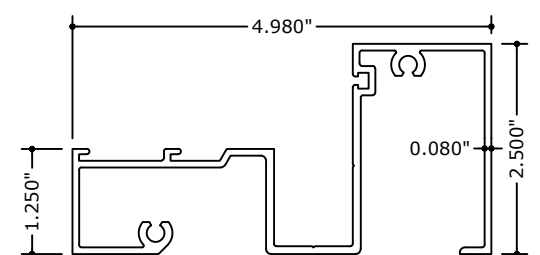
2 FG-5752
HORIZONTAL



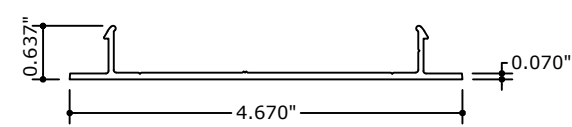
3 FG-5760
GLASS STOP

Frank Bennardo
PE# 0046549 CA# 9885

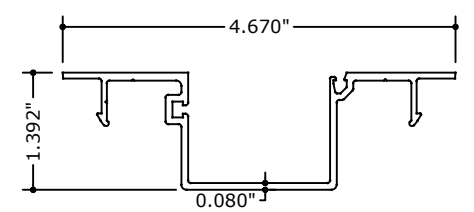
AUGUST 31, 2022



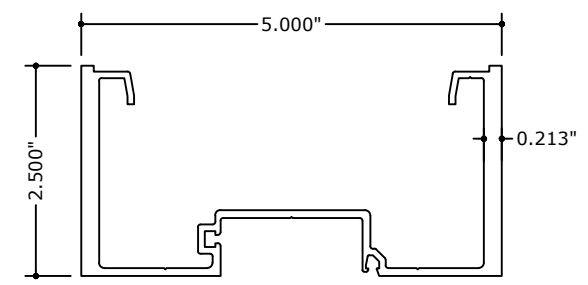
4 FG-5751
SILL



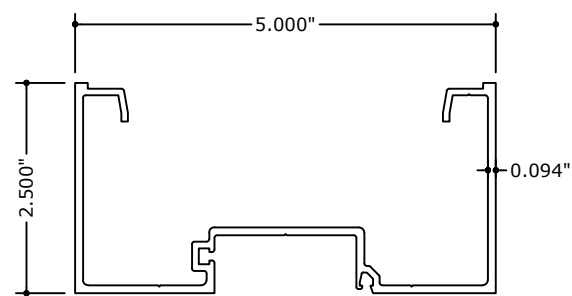
6 FG-5715
FLAT FILLER



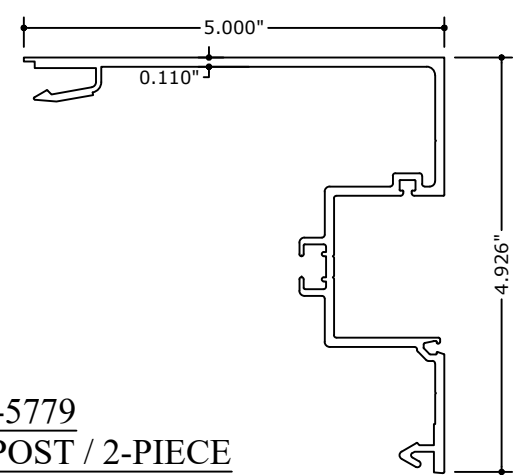
7 FG-5761
INTERMEDIATE MULLION FILLER



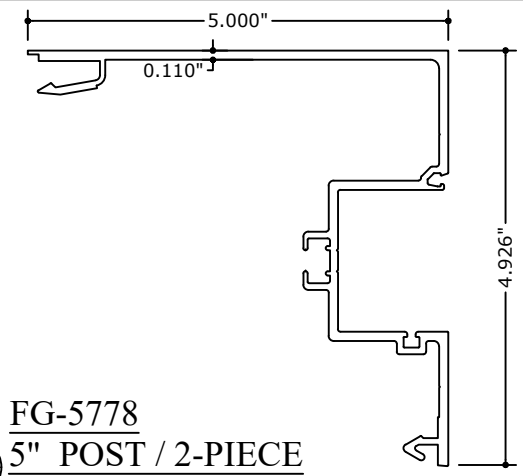
8 FG-5754
HEAVY VERTICAL



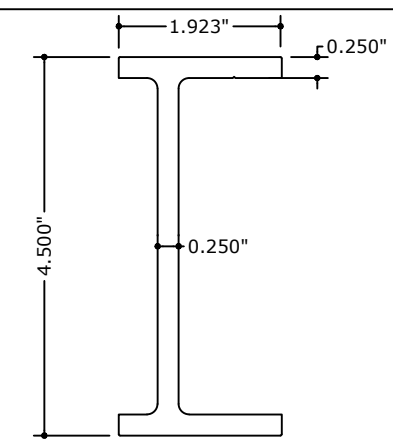
9 FG-5753
VERTICAL MULLION



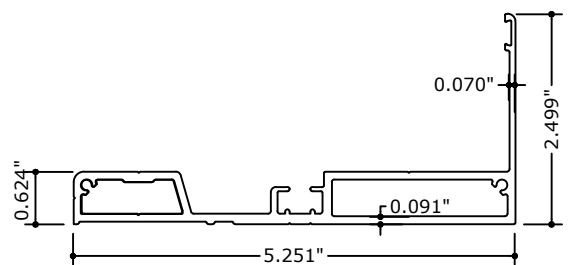
10 FG-5779
5\"/>



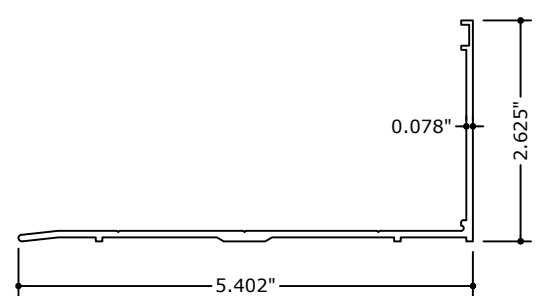
11 FG-5778
5\"/>



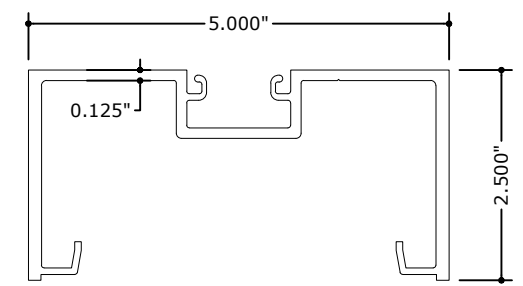
12 FG-5720
ALUMINUM STIFFENER



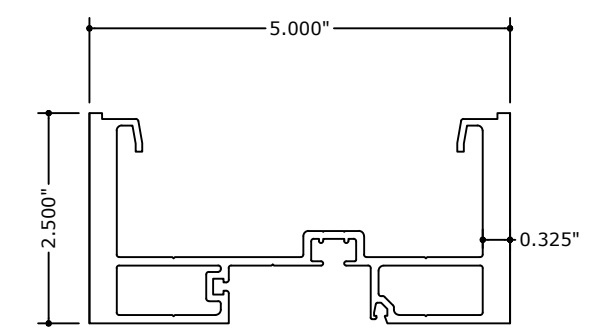
13 FG-5712
HIGH PERFORMANCE SILL RECEPTOR



14 FG-5180
SILL RECEPTOR



15 FG-5713
VERTICAL DOOR MULLION W/ SIDELITE



16 FG-5774
HEAVY VERTICAL MULLION

FL#20665.2

POSTAL ADDRESS:
401 W. ATLANTIC AVE R10 #219
DELRAY BEACH, FL 33444
ENGINEERINGEXPRESS.COM

OLDCASTLE BUILDING ENVELOPE®
803 AIRPORT ROAD
TERRELL, TX 75160
(972) 551-6100

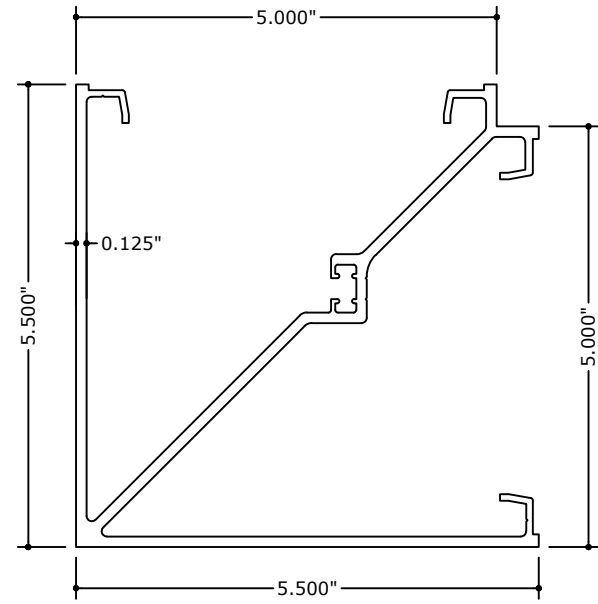
FG-5750 STOREMAX® NON-THERMAL
IMPACT STOREFRONT SYSTEM
WET & DRY GLAZED

REMARKS	DRWN	CHKD	DATE
INIT. ISSUE	JEM	AJP	09/17/20
REVISIONS	SSG	RS	03/11/22

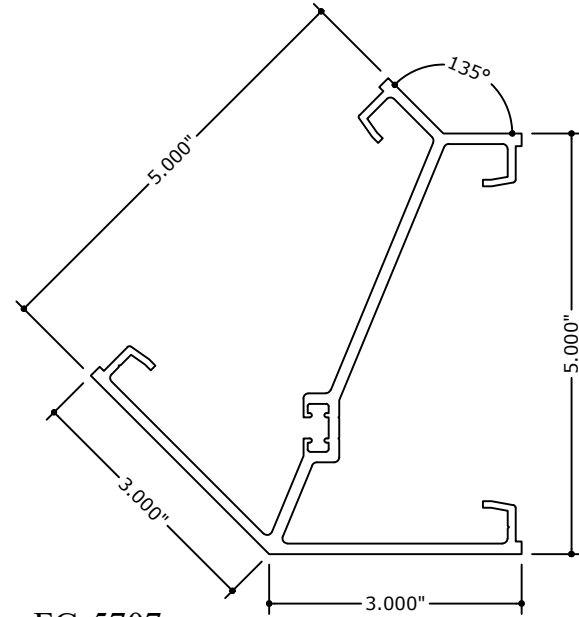
COPYRIGHT ENGINEERING EXPRESS®

20-29229g
SCALE: NTS UNLESS NOTED

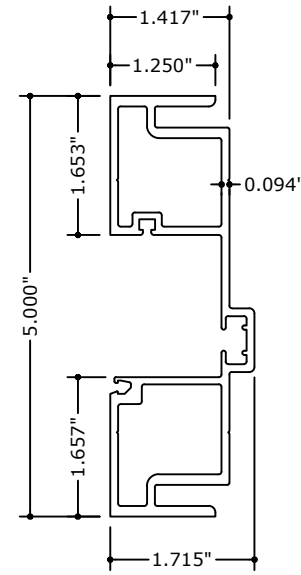
c:\users\sam\engineering\express\production - documents\projects\20-29229 oldcastle - fg 5000 & fg 5100\revision order 8879\work\drawings & cad\fg-5750\20-29229g obe - fg-5750g 8-25-22.dwg



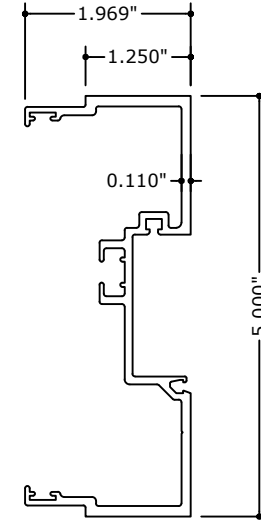
17 FG-5706
90 DEGREE CORNER POST



18 FG-5707
135 DEGREE CORNER POST



19 FG-5782
EXPANSION MULLION



20 FG-5783
EXPANSION MULLION

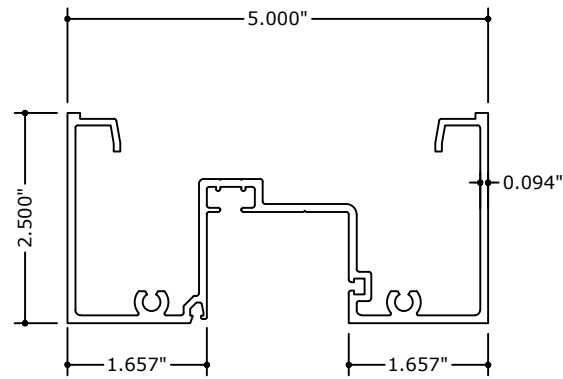
Frank Bennardo
PE# 0046549 CA# 9885

AUGUST 31, 2022

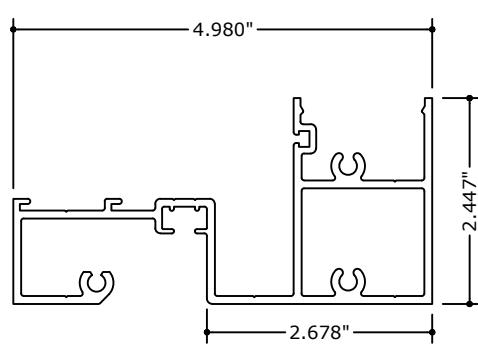
FL#20665.2

ENGINEERING EXPRESS

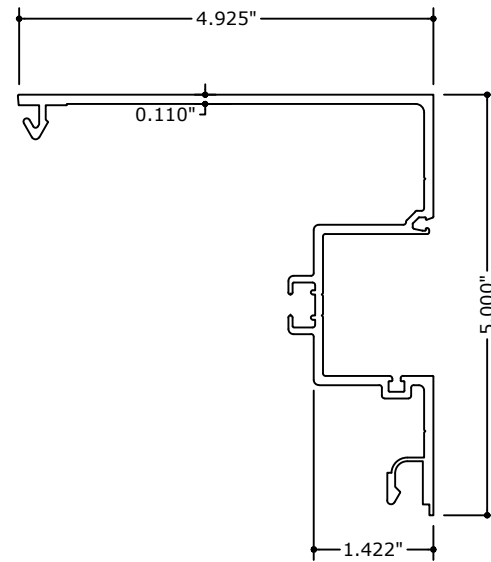
POSTAL ADDRESS:
401 W. ATLANTIC AVE R10 #219
DELRAY BEACH, FL 33444
ENGINEERINGEXPRESS.COM



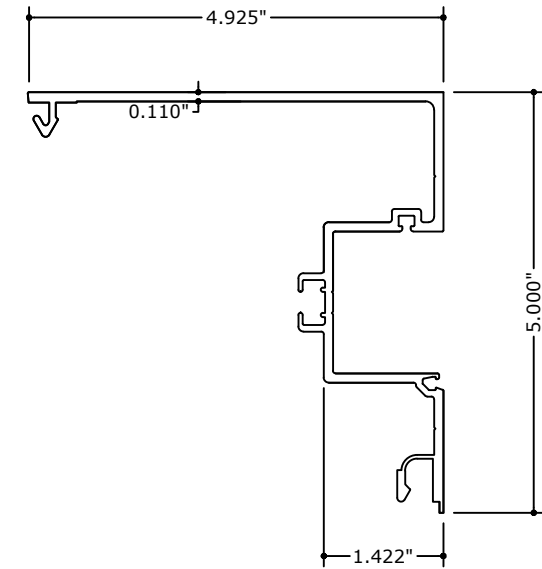
21 FG-5786
PRE-GLAZED HEAD



22 FG-5787
PRE-GLAZED SILL



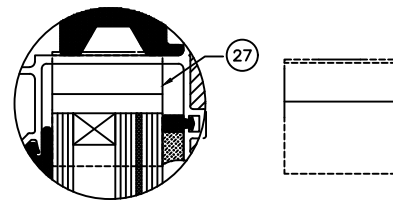
24 FG-5784
2-PIECE 90° CORNER ASSEMBLY



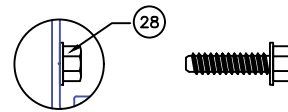
25 FG-5785
2-PIECE 90° CORNER ASSEMBLY



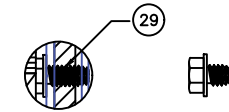
23 FG-5259
PRE-GLAZED SILL FILLER



27 FG-5790-02
WATER DIVERTER



28 FS-8
JOINT FASTENER



29 FS-354
REINFORCEMENT FASTENER

OLDCASTLE BUILDING ENVELOPE

803 AIRPORT ROAD
TERRELL, TX 75160
(972) 551-6100

FG-5750 STOREMAX[®] NON-THERMAL
IMPACT STOREFRONT SYSTEM
WET & DRY GLAZED

REMARKS	DRWN	CHKD	DATE
INIT. ISSUE	JEM	AJP	09/17/20
REVISIONS	SSG	RS	03/11/22

COPYRIGHT ENGINEERING EXPRESS[®]

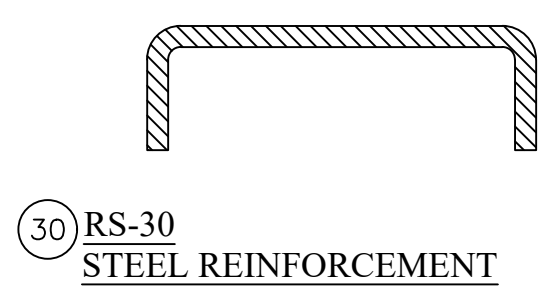
20-29229g

SCALE: NTS UNLESS NOTED

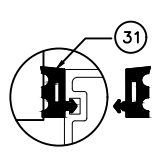
c:\users\sam\engineering\express\production - documents\projects\20-29229 oldcastle - fg 5000 & fg 5100\revision order 8879\work\drawings & cad\fg-5750\20-29229g obe - fg-5750g 8-25-22.dwg

Frank Bennardo
PE# 0046549 CA# 9885

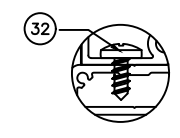
AUGUST 31, 2022



30 RS-30
STEEL REINFORCEMENT



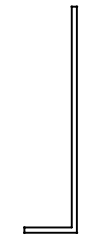
31 FG-5732
DRY GLAZE GASKET



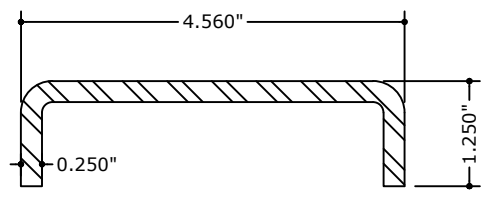
32 FS-27
FASTENER



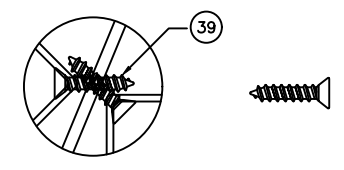
33 FS-336
FASTENER



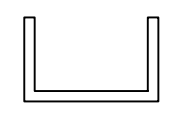
36 AN-101-01 SILL END DAM
FOR USE WITH FG-5712
AND FG-5180 SUBSILL



38 FG5000-PP-8
STEEL REINF. AT DOOR JAMB



39 FS-58
CORNER ASSEMBLY
FASTENER



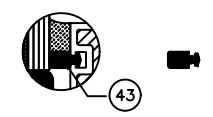
40 CH55
U-CHANNEL



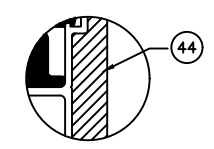
41 FS-96
SHEAR BLOCK
FASTENER



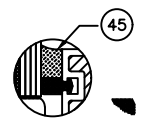
42 FG-5730
EXTERIOR GLAZING
GASKET



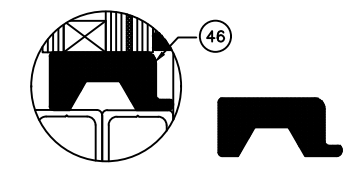
43 FG-5731
SPACER GASKET



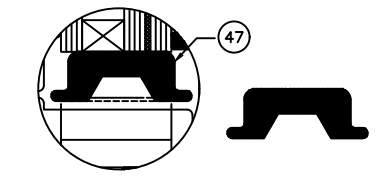
44 SM5601
JOINT TAPE



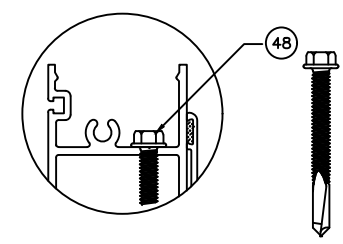
45 DOWSIL 995
SEALANT



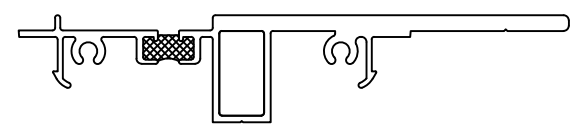
46 FG-5743
SETTING BLOCK



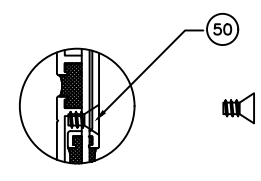
47 FG-5744
SETTING BLOCK



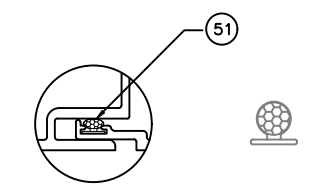
48 FS-128
PRE-GLAZE SILL FASTENER



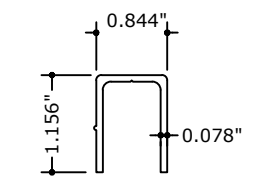
49 FGT-5788-01
PRE-GLAZE HEAD
ANCHOR



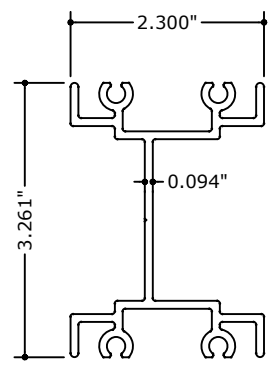
50 FS-56
FG-5714 FASTENER



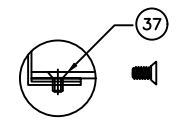
51 CW-998
EXPANSION
MULL GASKET



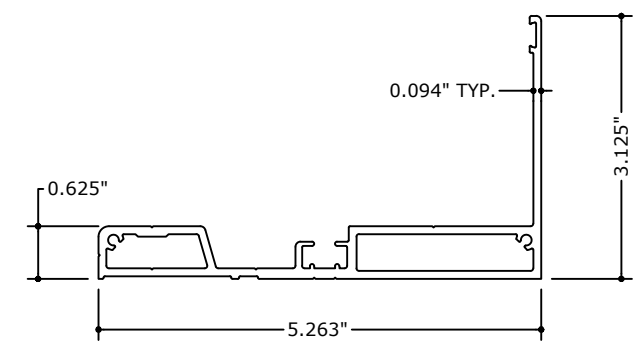
52 FG-5721-01
SETTING CHAIR



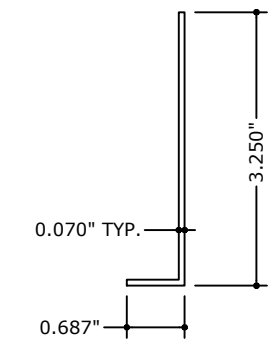
53 FG-5714-01
SHEAR BLOCK



37 FS-23
SILL END DAM
FASTENER



54 FG-5726
5/8" SUBSILL



55 AN-104-01 SILL END DAM
FOR USE WITH FGT-5726 SUBSILL

FL#20665.2

ENGINEERING EXPRESS

POSTAL ADDRESS:
401 W. ATLANTIC AVE R10 #219
DELRAY BEACH, FL 33444
ENGINEERINGEXPRESS.COM

OLDCASTLE BUILDING ENVELOPE
803 AIRPORT ROAD
TERRELL, TX 75160
(972) 551-6100

FG-5750 STOREMAX[®] NON-THERMAL
IMPACT STOREFRONT SYSTEM
WET & DRY GLAZED

REMARKS	DATE	DRWN	CHKD
INIT ISSUE	09/17/20	JEM	AJP
REVISIONS	03/11/22	SSG	RS

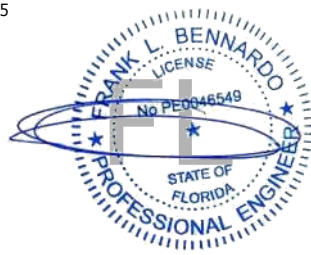
COPYRIGHT ENGINEERING EXPRESS[®]

20-29229g
SCALE: NTS UNLESS NOTED

c:\users\sam\engineering\express\production - documents\projects\20-29229\oldcastle - fg 5000 & fg 5100\revision order 8879\work\drawings & cad\fg-5750\20-29229g obe - fg-5750g 8-25-22.dwg

Frank Bennardo
PE# 0046549 CA# 9885

AUGUST 31, 2022



BILL OF MATERIALS

ITEM NO.	P/N	DESCRIPTION	DIMENSIONS	MATERIAL	MANUFACTURER	NOTES
ALUMINUM PARTS						
1	FG-5750	HEAD/SILL/JAMB	2.500 x 5.000 x 0.094	6063-T6 ALUMINUM	OBE	
2	FG-5752	HORIZONTAL MULLION	2.500 x 4.980 x 0.094	6063-T6 ALUMINUM	OBE	
3	FG-5760	GLASS STOP	1.250 x 1.650 x 0.078	6063-T6 ALUMINUM	OBE	
4	FG-5751	HEAD/SILL	2.500 x 4.980 x 0.094	6063-T6 ALUMINUM	OBE	
	NOT USED	NOT USED	NOT USED	NOT USED	NOT USED	
6	FG-5715	FLAT FILLER	0.636 x 4.670 x 0.080	6063-T6 ALUMINUM	OBE	RUNS FULL LENGTH
7	FG-5761	INTERMEDIATE MULLION FILLER	0.681 x 4.670 x 0.080	6063-T6 ALUMINUM	OBE	
8	FG-5754	HEAVY MULLION	2.500 x 5.000 x 0.213	6063-T6 ALUMINUM	OBE	
9	FG-5753	VERTICAL MULLION	2.500 x 5.000 x 0.094	6063-T6 ALUMINUM	OBE	
10	FG-5779	5" VERTICAL POST / 2-PIECE 90° CORNER	5.000 x 4.941 x 0.110	6063-T6 ALUMINUM	OBE	
11	FG-5778	5" VERTICAL POST / 2-PIECE 90° CORNER	4.941 x 5.000 x 0.110	6063-T6 ALUMINUM	OBE	
12	FG-5720	ALUMINUM STIFFENER	4.500 x 1.9375 x 0.250	6063-T6 ALUMINUM	OBE	MAXIMUM LENGTH OF 144"
13	FG-5712	HIGH PERFORMANCE 5/8" SUBSILL	5.276 x 2.750 x 0.100	6063-T6 ALUMINUM	OBE	
14	FG-5180	1/8" SUBSILL	5.402 x 2.625 x 0.080	6063-T6 ALUMINUM	OBE	
15	FG-5713	VERTICAL DOOR MULLION W/ SIDELITE	2.500 x 5.000 x 0.125	6063-T6 ALUMINUM	OBE	
16	FG-5774	HEAVY MULLION	2.500 x 5.000 x 0.213	6063-T6 ALUMINUM	OBE	
17	FG-5706	90° CORNER MULLION	5.500 X 5.500 X 0.125	6063-T6 ALUMINUM	OBE	
18	FG-5707	135° CORNER MULLION	3.000 x 5.000 x 0.125	6063-T6 ALUMINUM	OBE	
19	FG-5782	EXPANSION MULLION (FEMALE)	1.715 X 5.000 X 0.094	6063-T6 ALUMINUM	OBE	
20	FG-5783	EXPANSION MULLION (MALE)	1.969 X 5.000 X 0.110	6063-T6 ALUMINUM	OBE	
21	FG-5786	PRE-GLAZE HEAD	2.500 X 5.000 X 0.094	6063-T6 ALUMINUM	OBE	
22	FG-5787	PRE-GLAZE SILL	2.446 X 5.000 X 0.094	6063-T6 ALUMINUM	OBE	
23	FG-5259	PRE-GLAZE SILL FILLER	.344 X 1.638 X 0.050	6063-T5 ALUMINUM	OBE	
24	FG-5784	2-PIECE 90° CORNER MULLION	4.941 X 5.000 X 0.110	6063-T6 ALUMINUM	OBE	
25	FG-5785	2-PIECE 90° CORNER MULLION	4.941 X 5.000 X 0.110	6063-T6 ALUMINUM	OBE	
	NOT USED	NOT USED	NOT USED	NOT USED	NOT USED	

FL#20665.2



POSTAL ADDRESS:
401 W. ATLANTIC AVE R10 #219
DELRAY BEACH, FL 33444
ENGINEERINGEXPRESS.COM

OLDCASTLE BUILDING ENVELOPE®
803 AIRPORT ROAD
TERRELL, TX 75160
(972) 551-6100

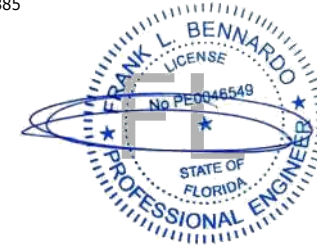
FG-5750 STOREMAX® NON-THERMAL
IMPACT STOREFRONT SYSTEM
WET & DRY GLAZED

REMARKS	DRWN	CHKD	DATE
INIT. ISSUE	JEM	AJP	09/17/20
REVISIONS	SSG	RS	03/11/22

COPYRIGHT ENGINEERING EXPRESS®

20-29229g

SCALE: NTS UNLESS NOTED



ACCESSORY PARTS

27	FG-5790-02	WATER DIVERTER	1.358 x 1.312 x 0.050	INJECTION MOLDED PLASTIC	OBE	AT EACH END OF INTERMEDIATE HORIZONTALS
28	FS-8	FASTENER	#14 x 1" HHSTS	STEEL (DACROMET)	VARIES	SCREW SPLINE SCREW
29	FS-354	FASTENER	1/4"-20 x 3/8" HEX HEAD TYPE F	STEEL (GEOMET)	VARIES	REINFORCEMENT SCREW, 1-1/4" FROM EACH END
30	RS-30	STEEL REINFORCEMENT	4.562 x 1.250 x 0.250	STEEL	VARIES	ASTM A-36
31	FG-5732	DRY GLAZE GASKET	0.250 SPACE	EPDM	VARIES	
32	FS-27	FASTENER (SILL-TO-SUBSILL)	#12 x 1/2" PPH SMS A pt	STEEL (DACROMET)	VARIES	(4) FASTENERS PER SIDE (2" FROM MULLION & 2" ON CENTER, 4 PER SIDE).
33	FS-336	FASTENER	1/4-20 x 1-1/8" HWH KWIKFLEX		HILTI	(2) FASTENERS PER SIDE (1 1/2" AND 4 1/2" ON EACH SIDE OF MULLION)
	NOT USED	NOT USED	NOT USED	NOT USED	NOT USED	NOT USED
35	DOWSIL 795	PERIMETER SEALANT	--	SILICONE	DOW CHEMICAL COMPANY	
36	AN-101-01	SILL FLASHING END DAM	2.688 x 0.625 x 0.063 x 5.125	6063-T6 ALUMINUM	OBE	FOR USE WITH FG-5712 AND FG-5180 SUBSILL
37	FS-23	FASTENER	#6 x 3/8" PPH	STEEL (ZINC PLATED)	VARIES	ATTACH END DAM TO SUBSILL
38	FG5000-PP-8	STEEL REINF. AT DOOR JAMB	4.560 x 1.250 x 0.250	STEEL (ZINC PLATED)	VARIES	USED AT DOOR JAMBS
39	FS-58	FASTENER	#10 x 1" PFH SMS	STAINLESS STEEL	VARIES	USED AT CORNERS
40	CH55	U-CHANNEL	1.000 x 1.593 x 0.125"	6063-T6 ALUMINUM	OBE	
41	FS-96	FASTENER	#12 x 2-1/2" PPH SMS	STEEL (GEOMET)	VARIES	SHEAR BLOCK SCREW
42	FG-5730	EXTERIOR GLAZING GASKET	0.120 SPACE	EPDM	VARIES	
43	FG-5731	SPACER GASKET	0.250 SPACE	SILICONE	VARIES	
44	SM5601	JOINT SEALANT TAPE	0.500 x 0.125 x VARIES	POLYISOBUTYLENE	SCHNEE-MOOREHEAD	
45	DOWSIL 995	STRUCTURAL SEALANT	--	SILICONE	DOW CHEMICAL COMPANY	FOR WET GLAZING AND FRAME ASSEMBLY
46	FG-5743	SETTING BLOCK	1.468 x 0.688 x 4.000	SILICONE	VARIES	2 PER LITE
47	FG-5744	SETTING BLOCK	1.679 x 0.588 x 4.000	SILICONE	VARIES	2 PER LITE, FOR INSIDE GLAZED INTERM. HORIZ.
48	FS-128	FASTENER	5/16"-24x 2" HEX WASHER HEAD	STEEL (DACROMET)	VARIES	(2) FASTENERS PER SIDE (1 1/2" AND 4 1/2" ON EACH SIDE OF MULLION)
49	FGT-5788-01	PRE-GLAZE HEAD ANCHOR	1.679 x 0.588 x 4.000	6063-T6 ALUMINUM	OBE	
50	FS-56	FASTENER	#10 X 1/2" UCPFH SMS	STAINLESS STEEL	VARIES	
51	CW-998	BULB GASKET		FOAM-TITE BULB	AMESBURY	
52	FG-5721-01	SETTING CHAIR	1.156 x 0.844 x 0.078	6063-T6 ALUMINUM	OBE	
53	FG-5714-01	SHEAR BLOCK	2.300 x 3.261 x 0.094	6063-T6 ALUMINUM	OBE	2" IN LENGTH
54	FG-5726	5/8" HIGH PERFORMANCE SUBSILL	5.263 x 3.125 x 0.940	6063-T6 ALUMINUM	OBE	
55	AN-104-01	END DAM FOR USE WITH FG-5726	3.250 x 0.687 x 0.700	6063-T6 ALUMINUM	OBE	

FL#20665.2

ENGINEERING EXPRESS
 POSTAL ADDRESS:
 401 W. ATLANTIC AVE R10 #219
 DELRAY BEACH, FL 33444
 ENGINEERINGEXPRESS.COM

OLDCASTLE BUILDING ENVELOPE
 803 AIRPORT ROAD
 TERRELL, TX 75160
 (972) 551-6100
 FG-5750 STOREMAX[®] NON-THERMAL
 IMPACT STOREFRONT SYSTEM
 WET & DRY GLAZED

REMARKS	DATE	DRWN	CHKD
INIT. ISSUE	09/17/20	JEM	AJP
REVISIONS	03/11/22	SSG	RS

COPYRIGHT ENGINEERING EXPRESS[®]

20-29229g

SCALE: NTS UNLESS NOTED

43 OF 43

c:\users\sam\engineering\express\production - documents\projects\20-29229 oldcastle - fg 5000 & fg 5100\revision order 8879\work\drawings & cad\fg-5750\20-29229g obe - fg-5750g 8-25-22.dwg

8/31/2022 2:06 PM SAM