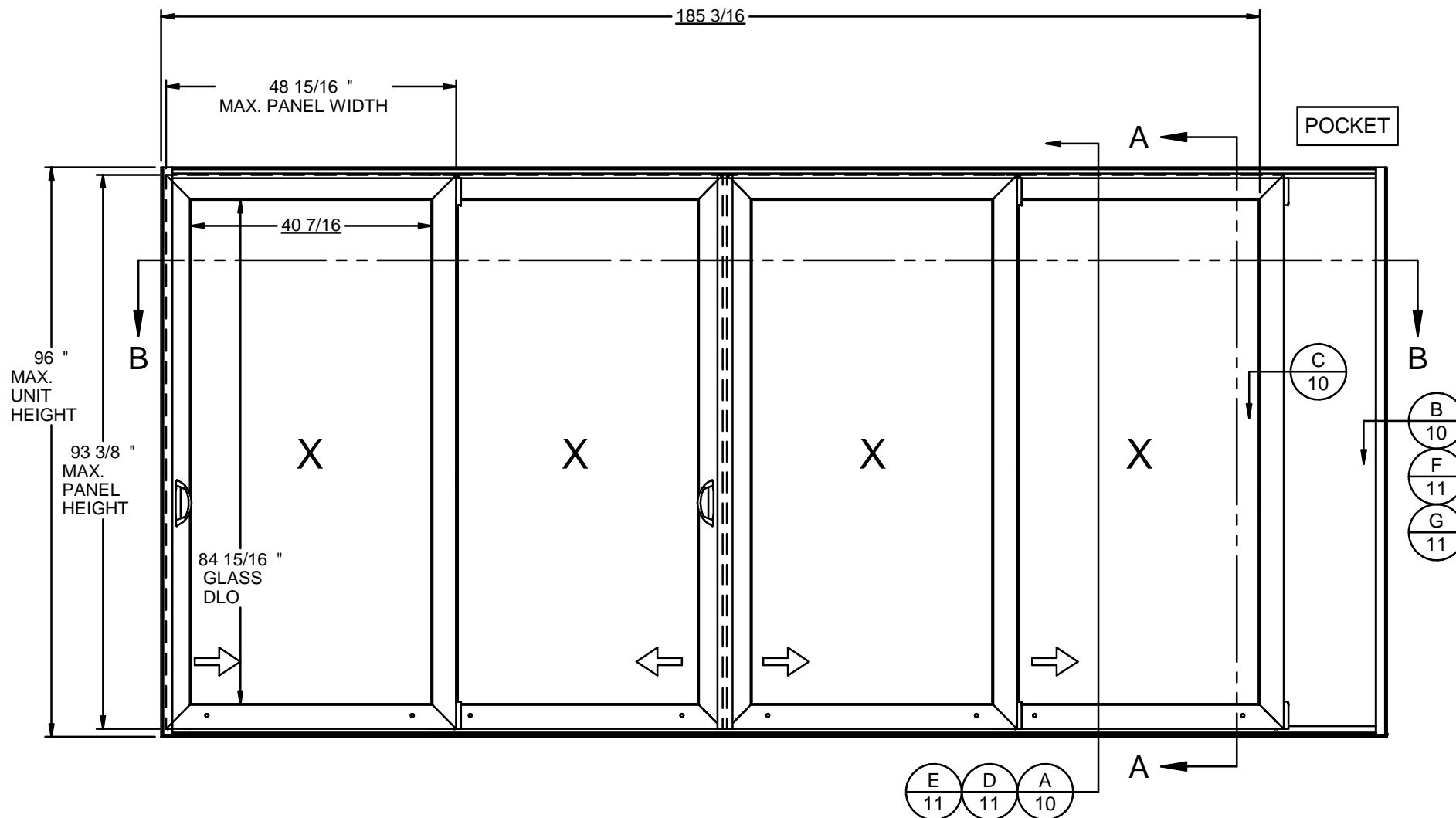


# SLIDING GLASS DOOR - LARGE MISSILE IMPACT



## GENERAL NOTES:

1. THE PRODUCT SHOWN HEREIN IS DESIGNED AND MANUFACTURED TO COMPLY WITH THE FLORIDA BUILDING CODE (FBC), CURRENT EDITION AND IS RATED FOR USE IN THE HIGH VELOCITY HURRICANE ZONE (HVHZ) AND IS RATED FOR WIND ZONE 4 MISSILE LEVEL D IMPACT USE AS DEFINED IN ASTM E 1996 PER THE FBC.
2. GLAZING OPTIONS: (SEE SHEET 3)
3. APPROVED CONFIGURATIONS INCLUDE BUT ARE NOT LIMITED TO:  
 "XO", "OX", "XX", "OXO", "XXX", "OXXO", "XXXX", "PX", "PXX", "PXXX", "PXXXX", "PXXP", "PXXXXP", "PXXXXXP", "PXXXXXXXP"  
 2 TRACK, 3 TRACK, 4 TRACK
4. DESIGN PRESSURE RATING:  
 -NEGATIVE DESIGN LOADS BASED ON, TESTED PRESSURE AND GLASS TABLES ASTM E-1300-04e01/09.  
 -POSITIVE DESIGN LOADS BASED ON, TESTED PRESSURE, WATER INFILTRATION TEST PRESSURE AND GLASS TABLES ASTM E-1300-04e01/09.
5. ANCHORAGE: THE 33 1/3% STRESS INCREASE HAS NOT BEEN USED IN THE DESIGN OF THIS PRODUCT. SEE SHEETS 10-11 FOR ANCHOR DETAILS. WINDLOAD DURATION FACTOR Cd=1.6 WAS USED FOR WOOD ANCHOR CALCULATIONS.
6. PRODUCT APPROVED FOR IMPACT USE. SHUTTERS ARE NOT REQUIRED.
7. ALL FRAMES ARE PROCESSED AND SCREWED TOGETHER. VENTS ARE PROCESSED AND THERMAL WELDED TOGETHER.
8. SERIES / MODEL DESIGNATION SGD-8800.
9. THE DESIGNATION X AND O STAND FOR THE FOLLOWING:  
 X = OPERABLE SASH, O = FIXED SASH, P = POCKET/HOOKSTRIP
10. SECTION CALLOUTS APPLY TO ALL CONFIGURATIONS IN A SIMILAR LOCATION.
11. WEEP SLOTS = 1/2" x 1" LOCATED @ BOTH ENDS.



## 8800 PVC SLIDING GLASS DOOR - IMPACT

PROPRIETARY AND CONFIDENTIAL  
 THE INFORMATION CONTAINED IN THIS DRAWING IS THE SOLE PROPERTY OF CUSTOM WINDOW SYSTEMS, INC. ANY REPRODUCTION IN PART OR AS A WHOLE WITHOUT THE WRITTEN PERMISSION OF CUSTOM WINDOW SYSTEMS, INC IS PROHIBITED.

FLORIDA APPROVAL NO.:  
 20838



9/18/2023

LUCAS A. TURNER, P.E.  
 FL PE # 58201  
 Turner Engineering & Consulting, Inc.  
 2428 Old Natchez Trc Trl  
 Camden, TN 38320  
 PH. 941-380-1574

SHEET DESCRIPTION:  
 GENERAL NOTES AND ELEVATIONS

DRAWN BY: MCS	DATE: 9/15/2023
DWG #: CWS-1150	REV.: C
SCALE: 1:25	SHEET 1 OF 11

## TABLE OF CONTENTS

GENERAL NOTES & ELEVATIONS.....	1
SECTION VIEWS.....	2
BOM & GLAZING DETAIL.....	3
EXTRUSIONS.....	4-5
TRACK WIDTHS.....	6
ANCHOR SCHEDULE & NOTES.....	7
ANCHOR PATTERNS.....	8-9
INSTALLATION DETAILS.....	10-11

MAX. PANEL SIZE	DESIGN PRESSURE RATING	GLASS TYPE (SEE SHT 4)	IMPACT RATING
48-15/16" x 93-3/8"	+/-50 PSF	A	LARGE MISSILE IMPACT
	+/-65 PSF	B	

\*(4) PANELS SHOWN; HVHZ LIMITED TO MAX. (9) PANELS. OUTSIDE HVHZ, UNLIMITED NUMBER OF PANELS IS ALLOWABLE AS LONG AS INDIVIDUAL PANELS DO NOT EXCEED PANEL SIZE AS SHOWN.



1900 SW 44TH AVE.  
OCALA, FLORIDA 34474  
WWW.CWS.CC

## 8800 PVC SLIDING GLASS DOOR - IMPACT

PROPRIETARY AND CONFIDENTIAL  
THE INFORMATION CONTAINED IN  
THIS DRAWING IS THE SOLE  
PROPERTY OF CUSTOM WINDOW  
SYSTEMS, INC. ANY  
REPRODUCTION IN PART OR AS A  
WHOLE WITHOUT THE WRITTEN  
PERMISSION OF CUSTOM WINDOW  
SYSTEMS, INC IS PROHIBITED.

FLORIDA APPROVAL NO.:

20838



9/18/2023

LUCAS A. TURNER, P.E.  
FL PE # 58201  
Turner Engineering &  
Consulting, Inc.  
2428 Old Natchez Trc Trl  
Camden, TN 38320  
PH. 941-380-1574

SHEET DESCRIPTION:

SECTION VIEWS

DRAWN BY:

MCS

DATE:

9/15/2023

DWG #:

CWS-1150

REV.:

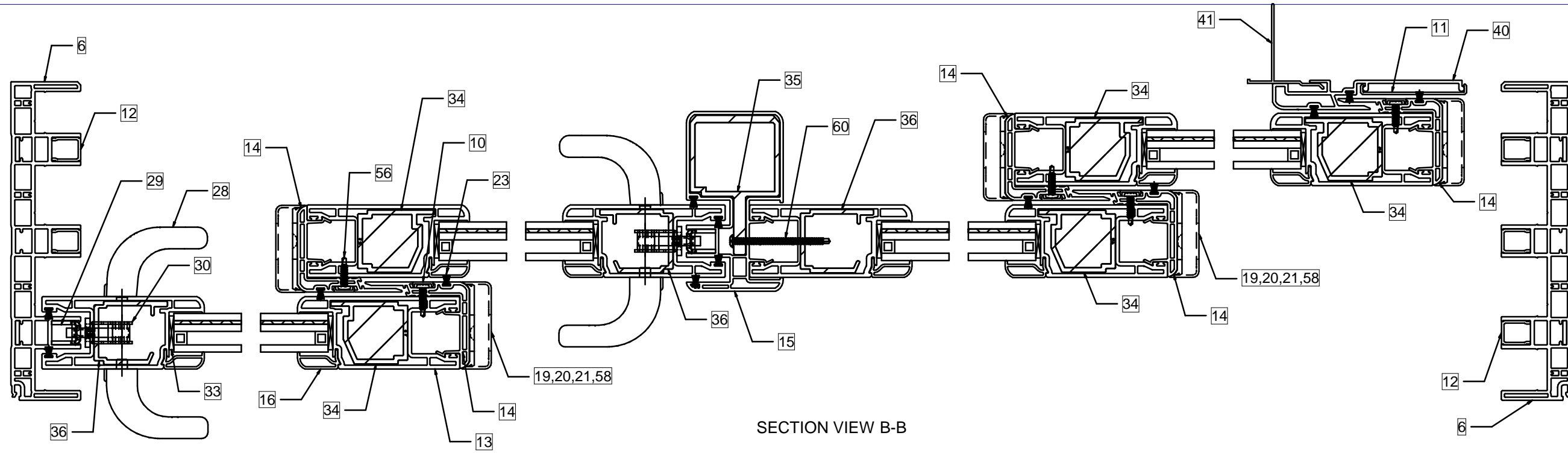
C

SCALE:

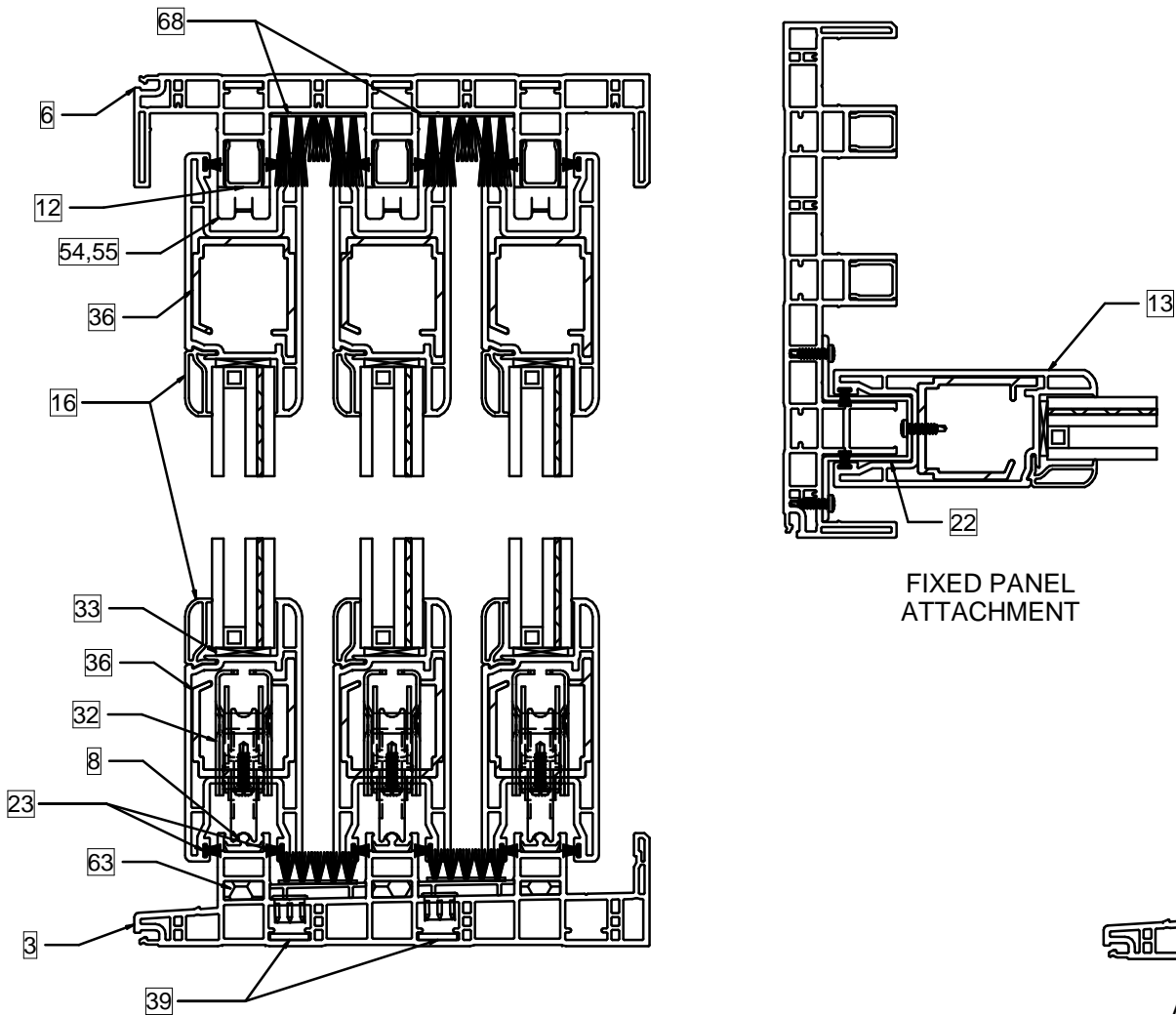
1:3

SHEET

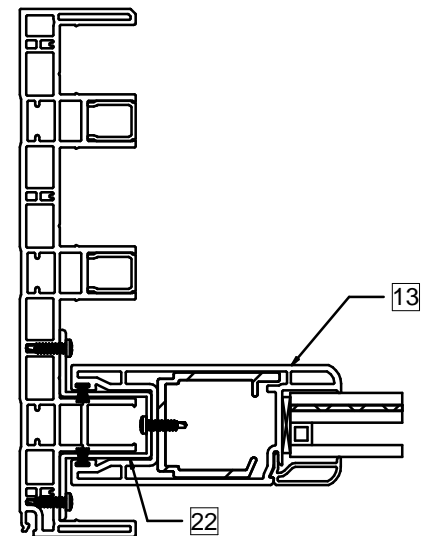
2 OF 11



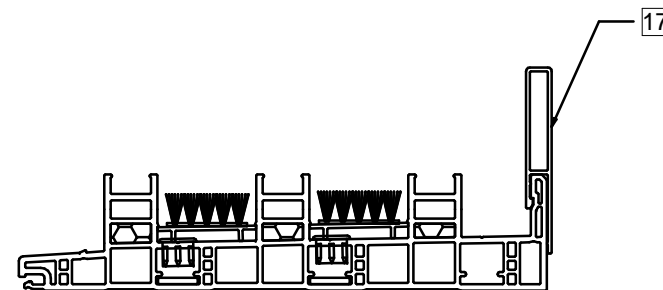
SECTION VIEW B-B



SECTION VIEW A-A  
NO SILL RISER



FIXED PANEL  
ATTACHMENT



ALTERNATE SILL RISER VIEW  
LIMITED TO +65

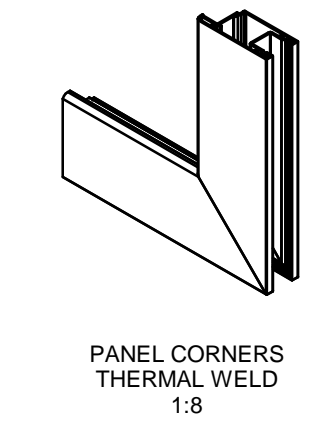
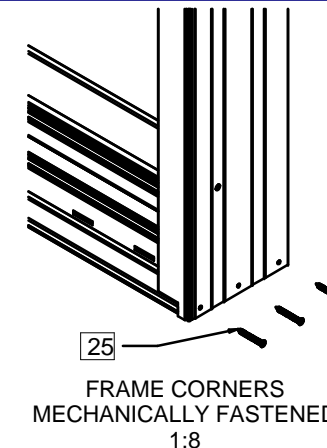
ITEMS NOT SHOWN FOR CLARITY:  
20, 24-26, 31, 55-58, 61-62, 64-66

NOTES:

1) INSTALLATION W/NO SILL RISER ALLOWED TO THE FULL DP'S INDICATED ABOVE, IN LOCATIONS WHERE WATER INFILTRATION RESISTANCE IS NOT REQUIRED, SUCH AS BUT NOT LIMITED TO LOCATIONS WHERE AN OVER HANG IS PRESENT THAT IS AS WIDE AS THE WALL IS TALL.

PARTS LIST			
ITEM	PART #	DESCRIPTION	MATERIAL
1	GLASS	SEE THIS SHEET	
2	H-6161	2-Track Sill	PVC
3	H-6163	3-Track Sill	PVC
4	H-6165	4-Track Sill	PVC
5	H-6160	2-Track Head/Jamb	PVC
6	H-6162	3-Track Head/Jamb	PVC
7	H-6164	4-Track Head/Jamb	PVC
8	S-2064	Roller Track Insert	Aluminum
9	S-6171	Cover, Sill Track	PVC
10	S-6169	Cover, Interlock	PVC
11	S-6172	Cover, External Reinforcement/P-Hook	PVC
12	S-6175	Track Filler, Frame	PVC
13	H-6166	Panel Stile/Rail	PVC
14	H-6168	Interlock, Snap-On	PVC
15	H-6167	Astragal	PVC
16	H-6170	Glazing Bead, I.G., 1"	PVC
17	H-2060	Sill Riser, 2.906"	Aluminum
18	H-2062	Sill Riser, 4.062"	Aluminum
19	P-5517	KIT, LOWER REINF PLATE (8800 SGD PANEL)	Aluminum
20	P-5558	Support Channel, Bot Rail, Interlock	Aluminum
21	P-5511	Cover, Panel Guide, Interlock	Nylon
22	P-5516	Bracket, Fixed Panel	Aluminum
23	P-3305	Wstp., .187 Back x .270 H FinSeal	
24		Sikaflex 552 or Purfect Glaze "H"	Silicone
25	P-3514	Screw, #10 x 2" Ph Comb Hd	Steel
26	P-3587	Screw, #8 x 1" PH FL TEK - Roller Asm/Mortise Lock	Steel
27	P-5588	Hole Plug, 0.500" Dia.	Nylon
28	P-5536	Handle Set with Thumb Turn	
29	P-3792	Keeper	
30	P-3793	Multi-Point Mortise Lock	
31	P-4250	Screw, #10 x 2.5" PH PN SMS - Keeper	Steel
32	P-5287	Tandem Roller Assy, 2.125" Dia Wheel	
33	P-5531	Setting Block, .09 x 1 x 2	Rubber
34	H-1769	Reinforcement, Interlock	Aluminum
35	H-2068	Reinforcement, Astragal	Aluminum
36	S-1775	Reinforcement, Lock Stile/Rails	Aluminum
37	H-2111	Reinforcement, HD, Interlock	Aluminum
38	S-2071	Reinforcement, External, Interlock	Aluminum
39	S-2069	Frame Insert, Installation Anchors	Aluminum
40	H-2063	P-Hook	Aluminum
41	S-2065	P-Hook Adaptor	Aluminum
42	S-2136	Screen, Astragal	Aluminum
43	H-2135	Screen, 1-Track Head/Jamb	Aluminum
45	S-2134	Screen, 1-Track Sill	Aluminum
46	S-2053	Screen, 2-Track Head	Aluminum
47	S-2054	Screen, 2-Track Jamb	Aluminum
48	S-2055	Screen, 2-Track Sill	Aluminum
49	S-2056	Screen, 3-Track Head	Aluminum
50	S-2057	Screen, 3-Track Jamb	Aluminum

ITEM	PART #	DESCRIPTION	MATERIAL
51	S-2058	Screen, 3-Track Sill	Aluminum
52	S-2059	Screen, Snap Cover	Aluminum
54	P-5477	Block, Anti-Lift	Nylon
55	P-5559	Screw, #14 x 4" PH PN SMS	Steel
56	P-3539	#8 x 3/4" Phillips Square SMS	Steel
57	P-5572	#8 x 2.5" PH FH TEK SS, Screw (Sash Guide)	Steel
58	P-4962	Screw, #8 x 3" PH FL Tek	Steel
59	P-5565	Screw, #12 x 1 1/2" PH PN SMS	Steel
60	P-3609	Bumper, Panel Stop	Rubber
61	P-4291	Panel Stop Housing	Nylon
62	P-5567	OPEN CELL FOAM, .844 X .500 X 2"	
63	P-5492	Gasket, Frame Assembly, 2-Track	Butyl
64	P-5493	Gasket, Frame Assembly, 3-Track	Butyl
65	P-5494	Gasket, Frame Assembly, 4-Track	Butyl
66	P-4659	Dust Plug, 1-1/4" x 3" x 0.5" (Cut from 3213)	
67	P-4366	Wstp., 1.0W x 1.100 x .700H Dust Plug	
68		Screen, Spline	Rubber
69		Screen, Cloth	

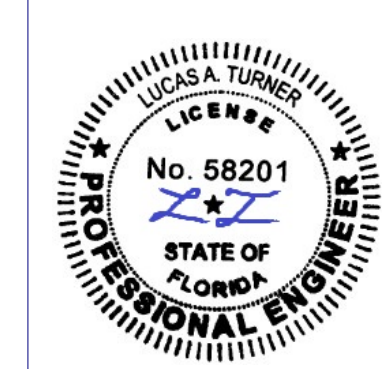



1900 SW 44TH AVE.  
OCALA, FLORIDA 34474  
WWW.CWS.CC

## 8800 PVC SLIDING GLASS DOOR - IMPACT

PROPRIETARY AND CONFIDENTIAL  
THE INFORMATION CONTAINED IN THIS DRAWING IS THE SOLE PROPERTY OF CUSTOM WINDOW SYSTEMS, INC. ANY REPRODUCTION IN PART OR AS A WHOLE WITHOUT THE WRITTEN PERMISSION OF CUSTOM WINDOW SYSTEMS, INC IS PROHIBITED.

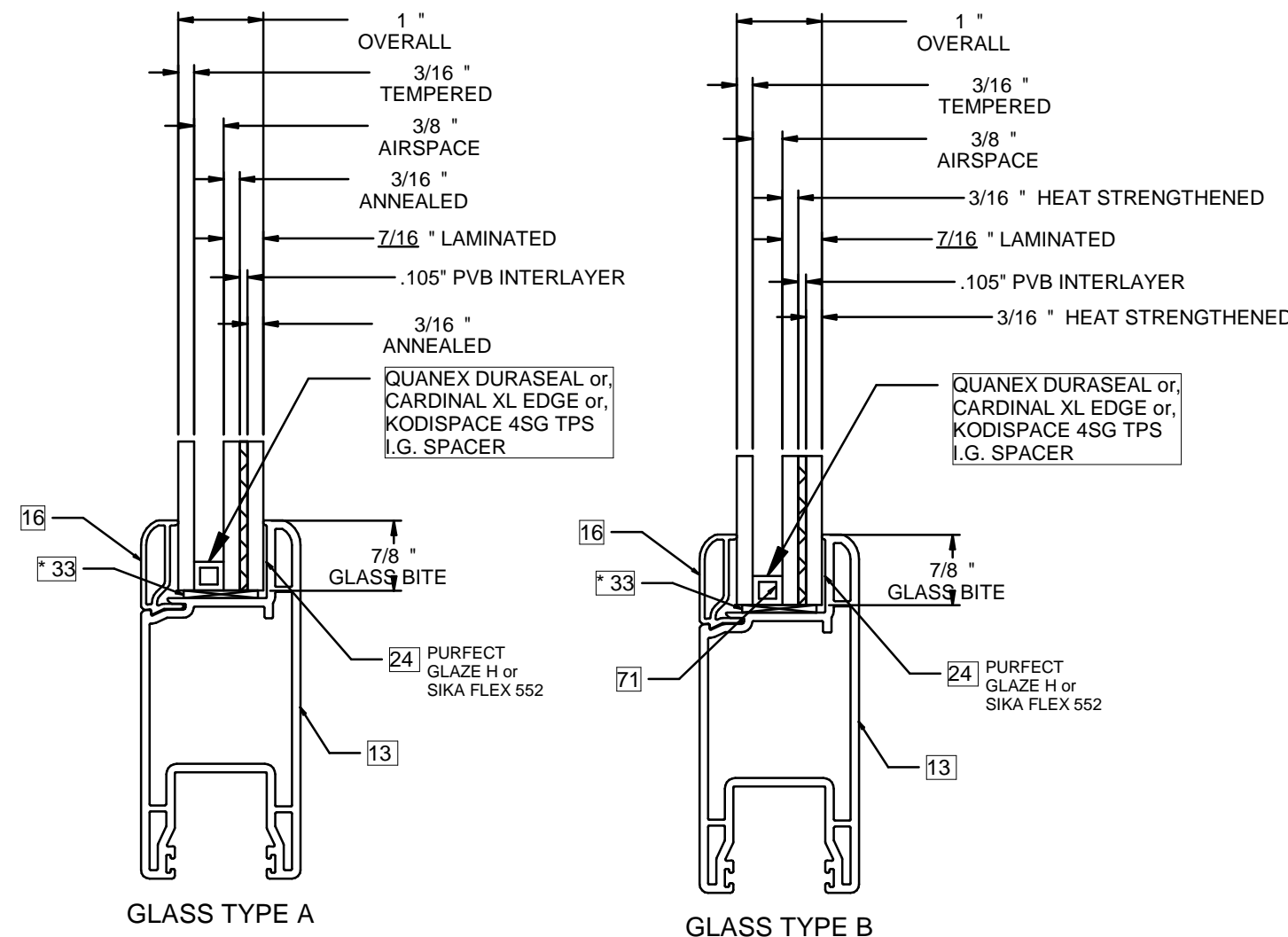
FLORIDA APPROVAL NO.:  
20838



9/18/2023  
LUCAS A. TURNER, P.E.  
FL PE # 58201  
Turner Engineering & Consulting, Inc.  
2428 Old Natchez Trc Trl  
Camden, TN 38320  
PH. 941-380-1574

SHEET DESCRIPTION:  
BOM AND GLAZING DETAIL

DRAWN BY:	DATE:
MCS	9/15/2023
DWG #:	REV.:
CWS-1150	C
SCALE:	SHEET
1:2	3 OF 11



\* SETTING BLOCKS PER FBC 2411.3.3.1

GLASS TYPE	DESIGN PRESSURE RATING
A	+/-50 PSF
B	+/-65 PSF



## 8800 PVC SLIDING GLASS DOOR - IMPACT

PROPRIETARY AND CONFIDENTIAL  
THE INFORMATION CONTAINED IN THIS DRAWING IS THE SOLE PROPERTY OF CUSTOM WINDOW SYSTEMS, INC. ANY REPRODUCTION IN PART OR AS A WHOLE WITHOUT THE WRITTEN PERMISSION OF CUSTOM WINDOW SYSTEMS, INC IS PROHIBITED.

FLORIDA APPROVAL NO.:  
20838



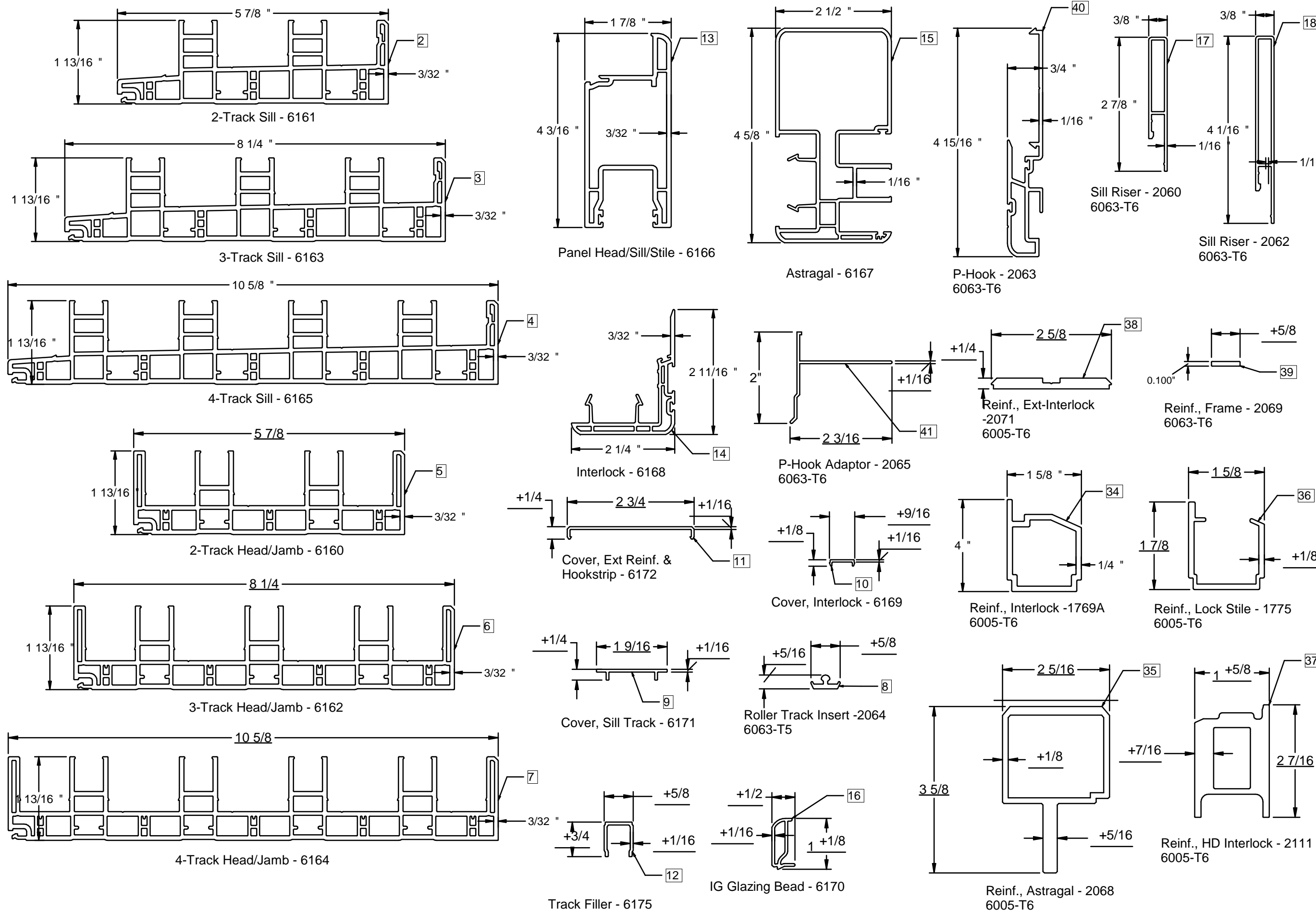
9/18/2023

LUCAS A. TURNER, P.E.  
FL PE # 58201  
Turner Engineering & Consulting, Inc.  
2428 Old Natchez Trc Trl  
Camden, TN 38320  
PH. 941-380-1574

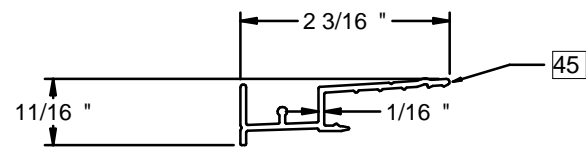
SHEET DESCRIPTION:

### EXTRUSIONS

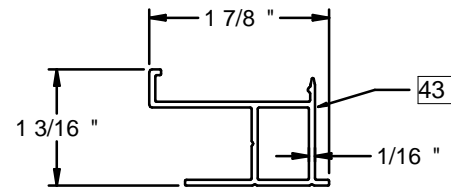
DRAWN BY:	DATE:
MCS	9/15/2023
DWG #:	REV.:
CWS-1150	C
SCALE:	SHEET
1:2	4 OF 11



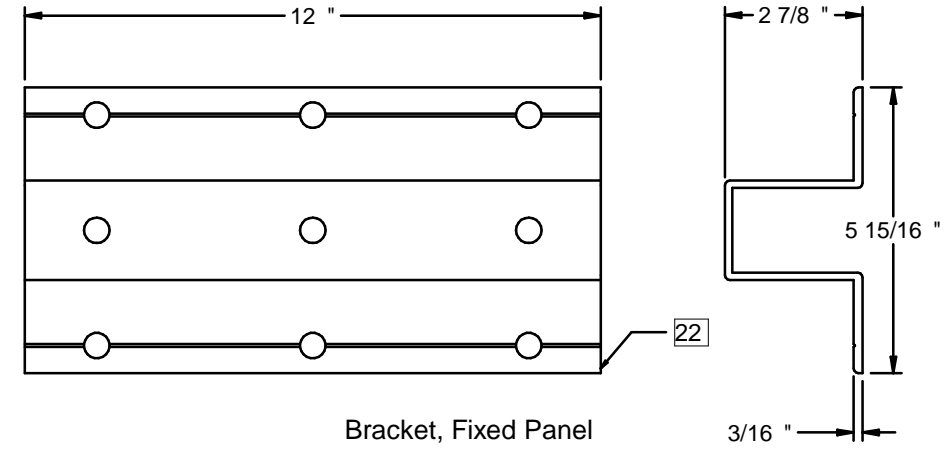
NOTE: ALL EXTRUSIONS ARE RIGID PVC UNLESS OTHERWISE NOTED.



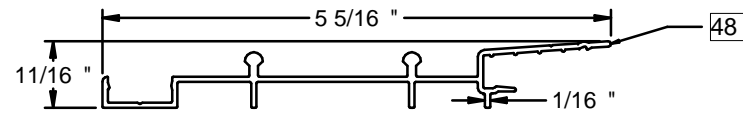
Screen, 1-Track Sill - 2134



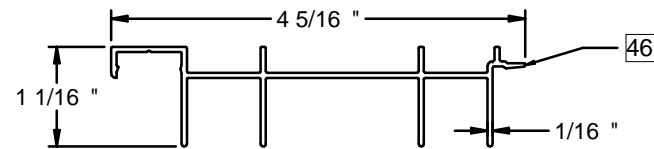
Screen, 1-Track Head/Jamb - 2135



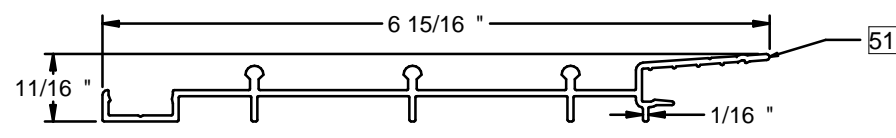
Bracket, Fixed Panel  
P-5516



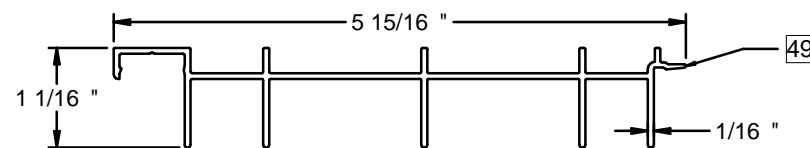
Screen, 2-Track Sill - 2055



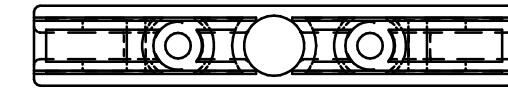
Screen, 2-Track Head - 2053



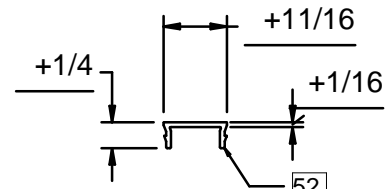
Screen, 3-Track Sill - 2058



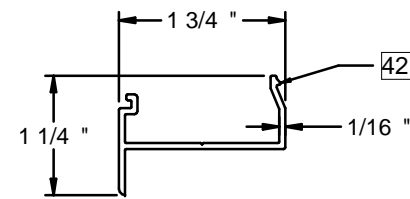
Screen, 3-Track Head - 2056



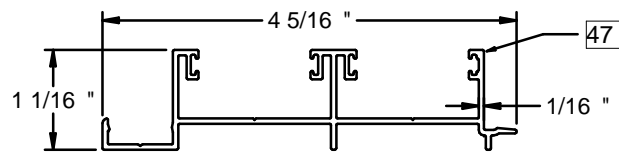
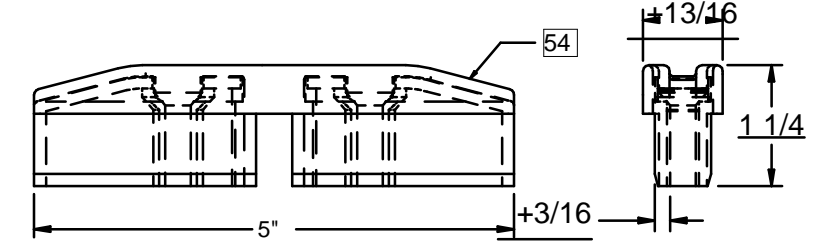
Block, Anti-Lift  
P-5477, Nylon



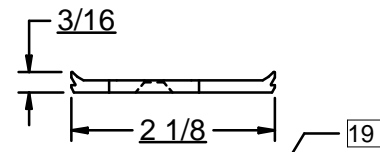
Screen, Snap Cover - 2059



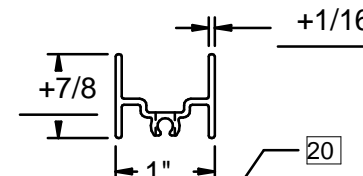
Screen, Astragal - 2136



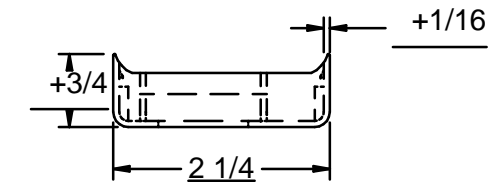
Screen, 2-Track Jamb - 2054



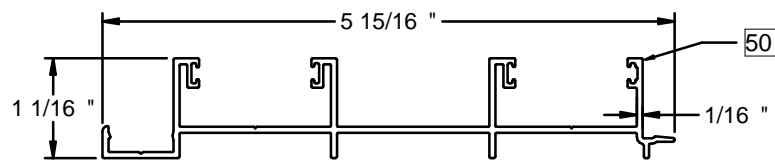
Panel Guide, Interlock - P-5517



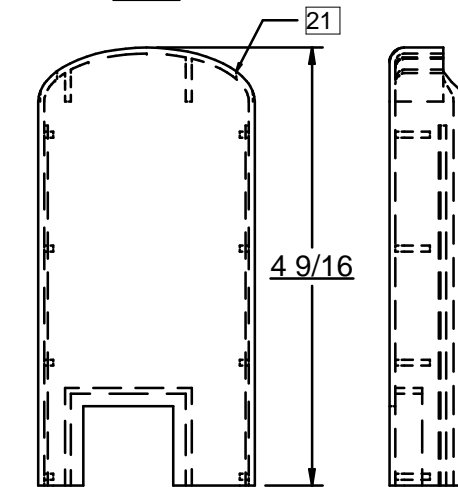
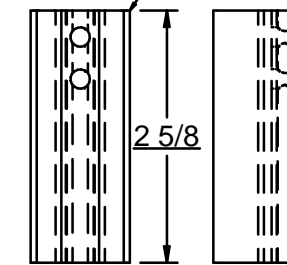
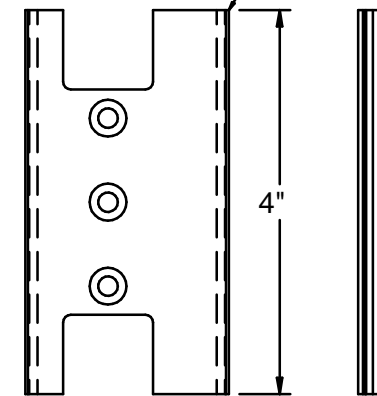
Support Channel, Bot  
Rail - Interlock - P-5558



Cover, Interlock - Reinf.  
P-5511, Nylon



Screen, 3-Track Jamb - 2057



NOTE: ALL ALUMINUM EXTRUSIONS ARE 6063-T6 UNLESS OTHERWISE NOTED.

**8800 PVC  
SLIDING GLASS  
DOOR - IMPACT**

PROPRIETARY AND CONFIDENTIAL  
THE INFORMATION CONTAINED IN  
THIS DRAWING IS THE SOLE  
PROPERTY OF CUSTOM WINDOW  
SYSTEMS, INC. ANY  
REPRODUCTION IN PART OR AS A  
WHOLE WITHOUT THE WRITTEN  
PERMISSION OF CUSTOM WINDOW  
SYSTEMS, INC IS PROHIBITED.

FLORIDA APPROVAL NO.:  
20838



9/18/2023

LUCAS A. TURNER, P.E.  
FL PE # 58201  
Turner Engineering &  
Consulting, Inc.  
2428 Old Natchez Trc Trl  
Camden, TN 38320  
PH. 941-380-1574

SHEET DESCRIPTION:

**EXTRUSIONS**

DRAWN BY:	DATE:
MCS	9/15/2023
DWG #:	REV.:
CWS-1150	C
SCALE:	SHEET
1:2	5 OF 11



1900 SW 44TH AVE.  
 Ocala, Florida 34474  
 WWW.CWS.CC

**8800 PVC  
 SLIDING GLASS  
 DOOR - IMPACT**

PROPRIETARY AND CONFIDENTIAL  
 THE INFORMATION CONTAINED IN  
 THIS DRAWING IS THE SOLE  
 PROPERTY OF CUSTOM WINDOW  
 SYSTEMS, INC. ANY  
 REPRODUCTION IN PART OR AS A  
 WHOLE WITHOUT THE WRITTEN  
 PERMISSION OF CUSTOM WINDOW  
 SYSTEMS, INC IS PROHIBITED.

FLORIDA APPROVAL NO.:

20838



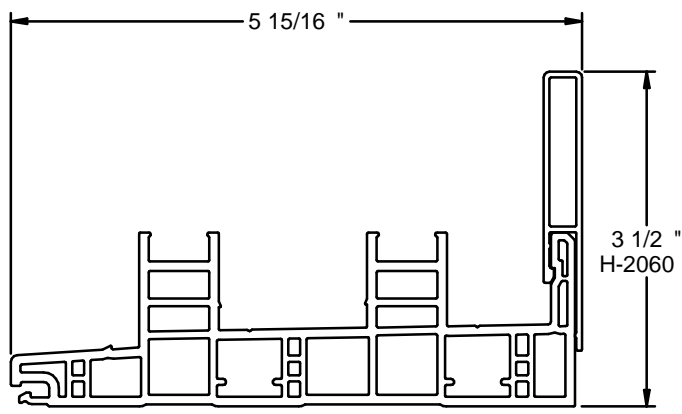
9/18/2023

LUCAS A. TURNER, P.E.  
 FL PE # 58201  
 Turner Engineering &  
 Consulting, Inc.  
 2428 Old Natchez Trc Trl  
 Camden, TN 38320  
 PH. 941-380-1574

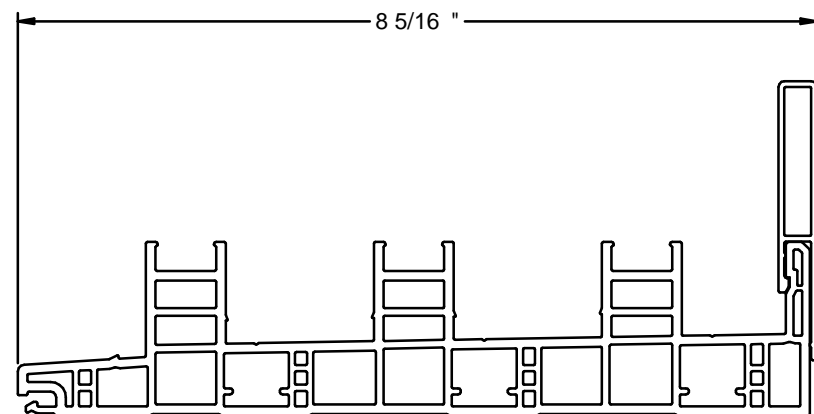
SHEET DESCRIPTION:

**TRACK WIDTHS**

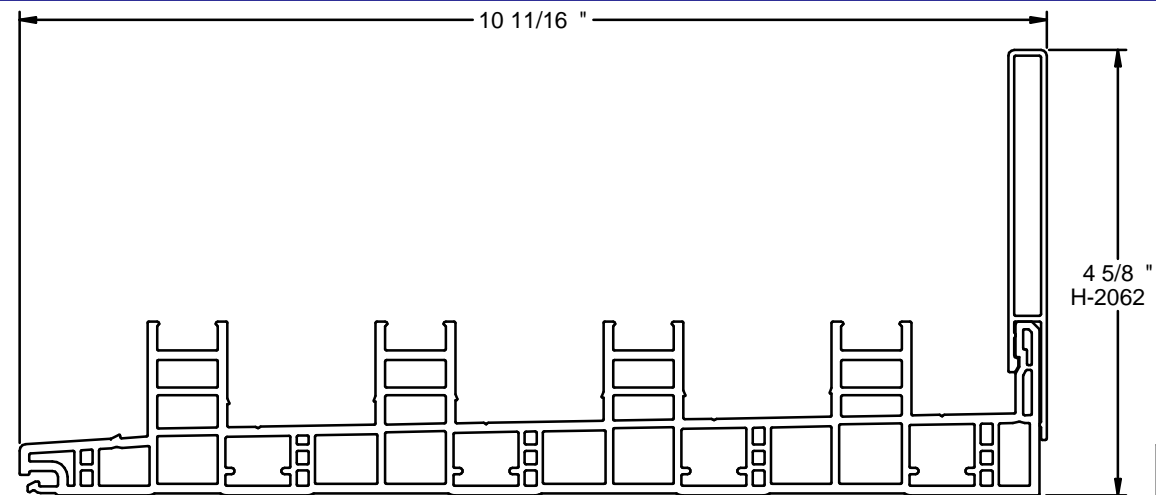
DRAWN BY:	DATE:
MCS	9/15/2023
DWG #:	REV.:
CWS-1150	C
SCALE:	SHEET
1:2	6 OF 11



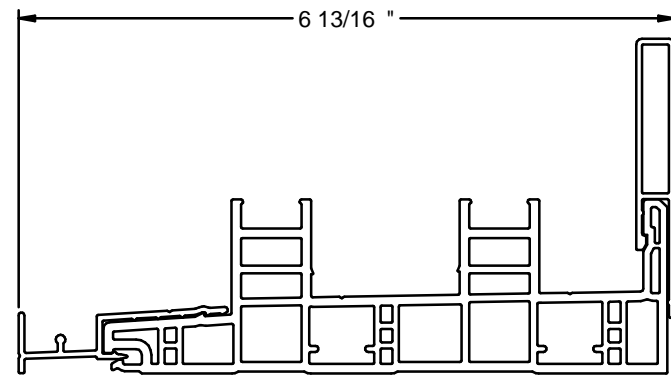
2T Sill w/Riser



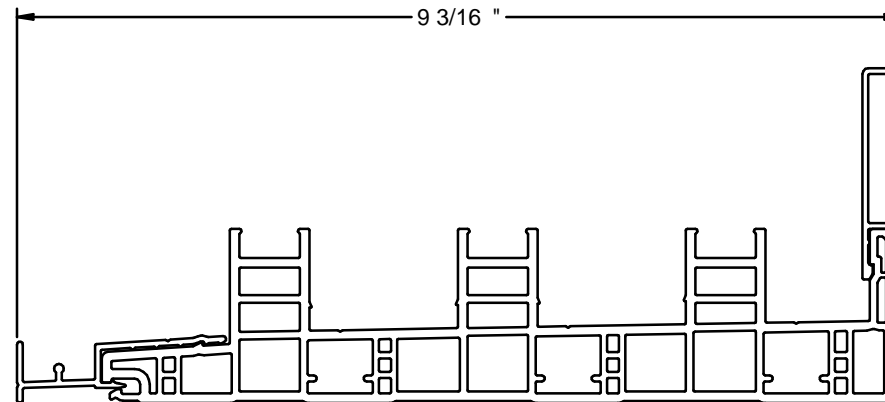
3T Sill w/Riser



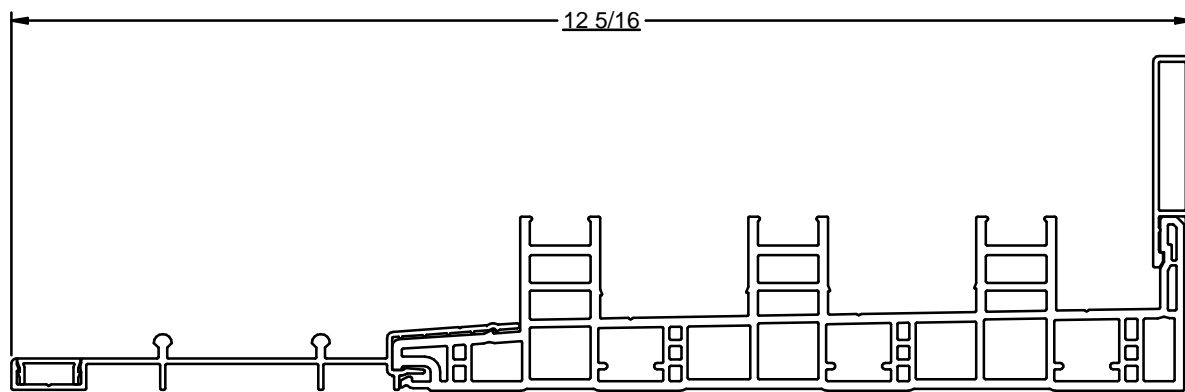
4T Sill w/Riser



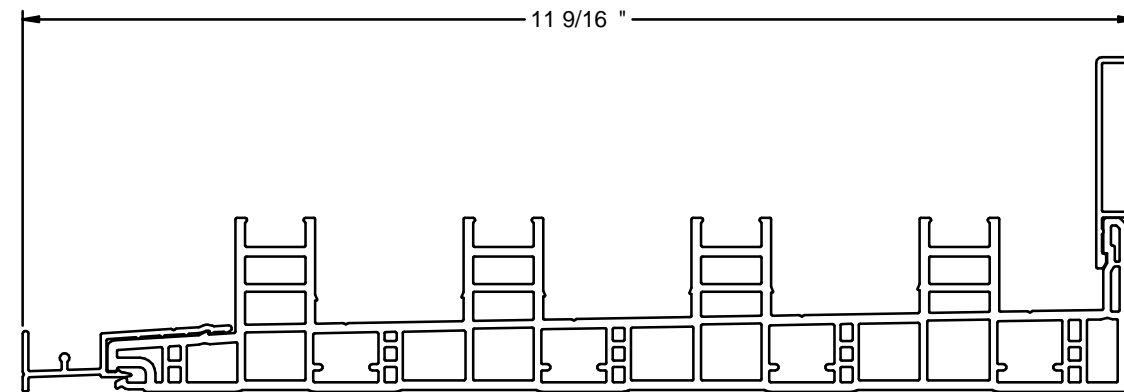
2T Sill w/ 1T Screen



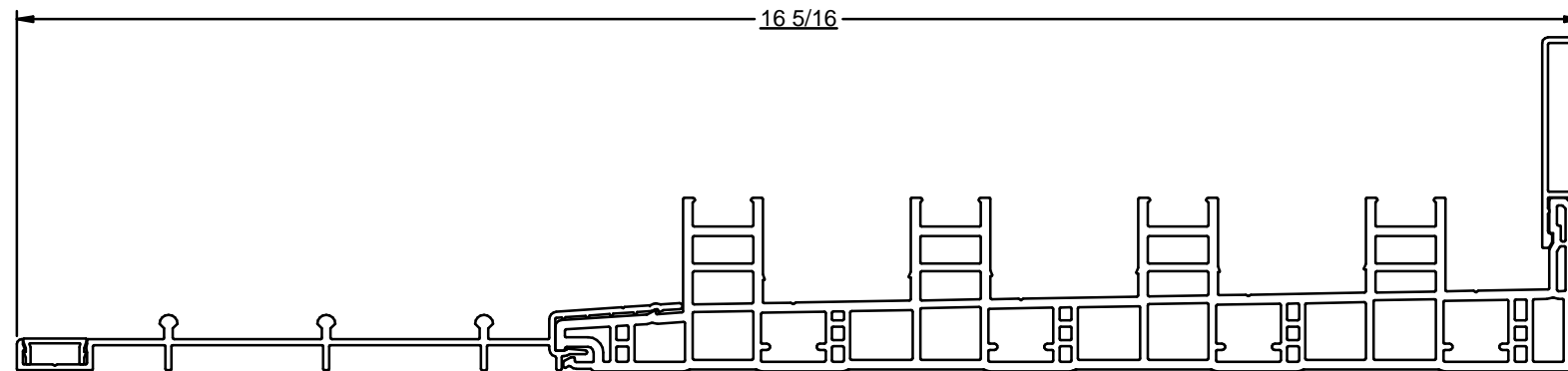
3T Sill w/ 1T Screen



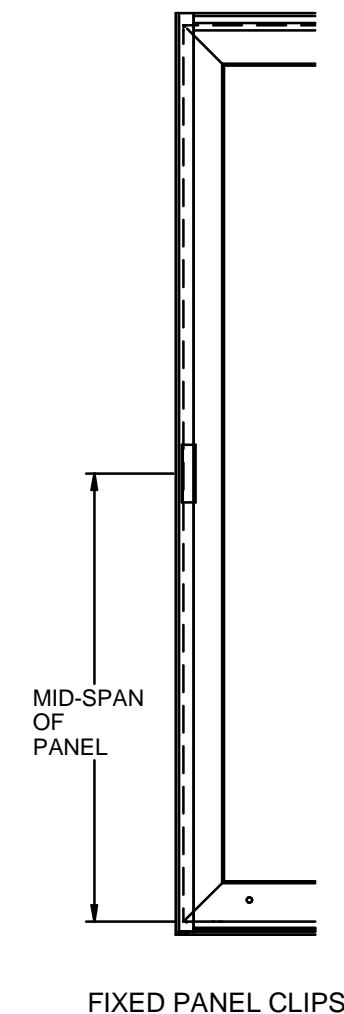
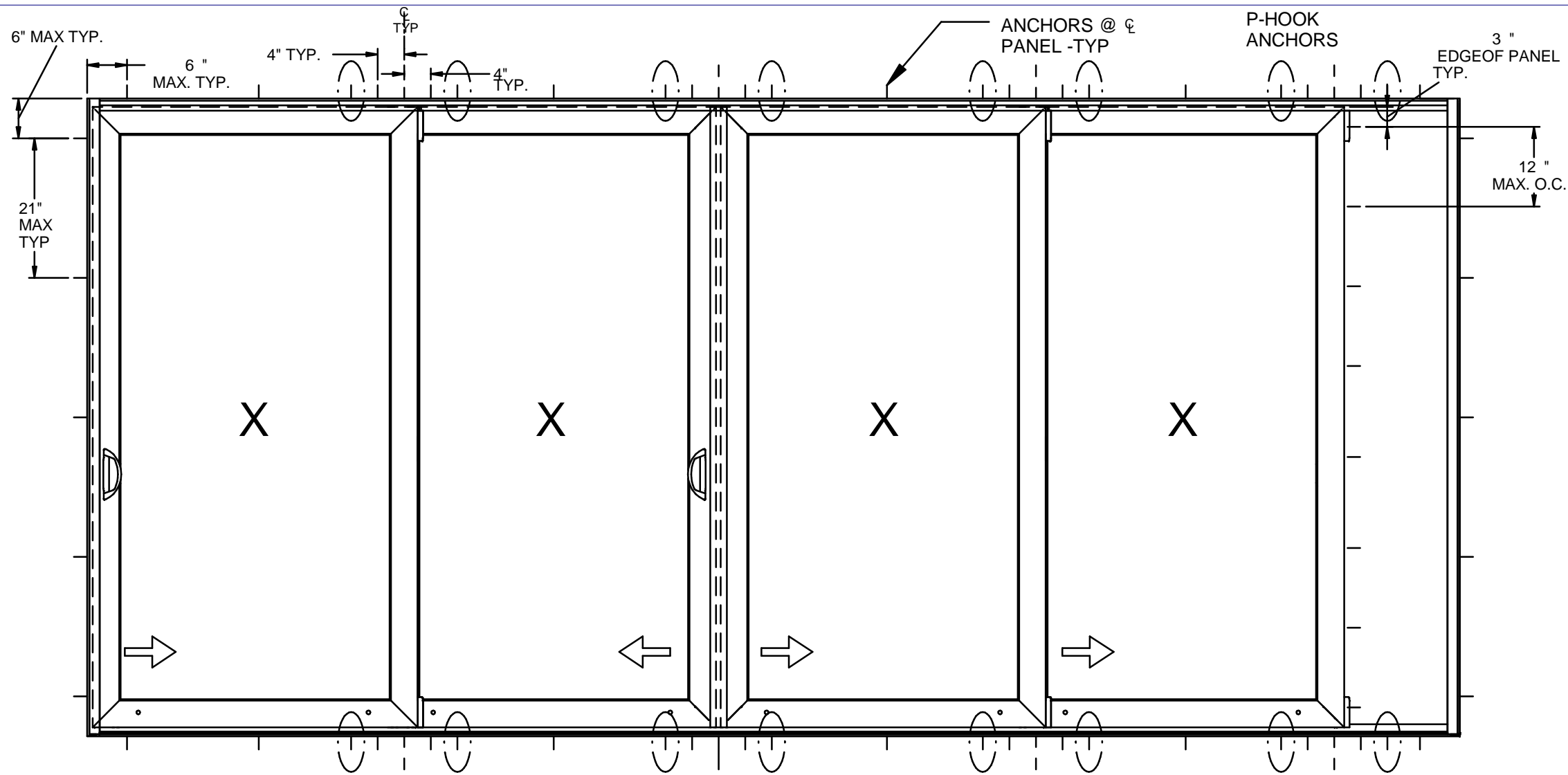
3T Sill w/ 2T Screen



4T Sill w/ 1T Screen



4T Sill w/ 3T Screen

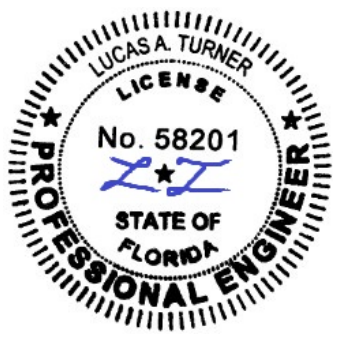


- NOTES:
- \* CIRCLED ANCHOR LOCATIONS REQ'D ONLY IN WOOD INSTALLATIONS. (SEE NEXT SHEET FOR DETAIL)
1. INSTALL TWO ANCHORS AT EACH INSTALLATION LOCATION (SEE LAYOUT DETAILS ON SHEETS 8 & 9) EXCEPT FOR 2T SILL & WOOD INSTALLATION LOCATIONS. SEE SPECIAL LOCATIONS AND SPACING FOR 2T SILL (SHEET 8). INSTALL ONE ANCHOR AT EACH WOOD INSTALLATION LOCATION (CIRCLED). SILL ANCHOR SPACING SAME AS HEAD FOR 3T AND 4T. INSTALL ONE ANCHOR AT EACH LOCATION IN HOOKSTRIP.
  2. SHIM AS REQ AT EACH INSTALLATION ANCHOR USING LOAD BEARING SHIMS. MAX. ALLOWABLE SHIM STACK TO BE 1/4". USE SHIMS WHERE SPACE GREATER THAN 1/16" IS PRESENT. LOAD BEARING SHIMS SHALL BE CONSTRUCTED OF HIGH DENSITY PLASTIC OR BETTER. WOOD SHIMS ARE NOT ALLOWED.
  3. ANCHOR TYPE, SIZE, SPACING AND EMBEDMENT SHALL BE AS SPECIFIED IN THESE DRAWINGS, SEE TABLE 1, SHEET 10.
  4. ALL INSTALLATION ANCHORS MUST BE MADE OF OR PROTECTED WITH A CORROSION RESISTANT MATERIAL OR COATING. DISSIMILAR METALS OR MATERIALS IN CONTACT WITH PRESSURE TREATED WOOD MUST BE PROTECTED TO PREVENT REACTION.
  5. INSTALLATION ANCHORS SHALL BE IN ACCORDANCE WITH ANCHOR MANUFACTURER'S INSTALLATION INSTRUCTIONS, AND ANCHORS SHALL NOT BE USED IN SUBSTRATES WITH STRENGTHS LESS THAN THE MINIMUM SPECIFIED IN TABLE 1, SHEET 10.
  6. ANCHOR EMBEDMENT TO SUBSTRATE SHALL BE BEYOND WALL DRESSING OR STUCCO. FOR CONCRETE/CMU OPENINGS, EMBEDMENT SHALL BE BEYOND WOOD BUCKS, IF USED, INTO SUBSTRATE. INSTALLATIONS TO SOLID CONCRETE OR GROUT-FILLED CMU MAY INCLUDE BUT DO NOT REQUIRE 1X WOOD BUCKS BETWEEN THE PRODUCT AND SUBSTRATE. INSTALLATIONS TO HOLLOW CMU REQUIRE THE USE OF 1X BUCKS BETWEEN THE PRODUCT AND SUBSTRATE.
  7. A MINIMUM CENTER-TO-CENTER SPACING SHALL BE MAINTAINED BETWEEN ALL FASTENERS: 3" FOR SOLID CONCRETE, 6" FOR CMU MASONRY, 1" FOR WOOD AND METAL.
  8. WOOD OR MASONRY OPENINGS, BUCKS AND BUCK FASTENERS SHALL BE PROPERLY DESIGNED BY THE ARCHITECT OR ENGINEER OF RECORD AND INSTALLED TO TRANSFER WIND LOADS TO THE STRUCTURE. SUBSTRATES SHALL MEET THE MINIMUM STRENGTH REQUIREMENTS AS SHOWN IN TABLE1, SHEET 10. CONCRETE AND MASONRY SUBSTRATES MAY NOT BE CRACKED.
  9. SEALING AND FLASHING STRATEGIES FOR OVERALL WATER RESISTANCE OF INSTALLATION SHALL BE DONE BY OTHERS FOLLOWING THE CURRENT VERSION OF THE REFERENCE DOCUMENTS: FMA/AAMA 100(FIN WINDOWS), FMA/AAMA 200(FLANGE WINDOWS), FMA/WDMA 250(BOX WINDOWS), FMA/AAMA/WDMA 300(EXTERIOR DOORS)

**8800 PVC  
SLIDING GLASS  
DOOR - IMPACT**

PROPRIETARY AND CONFIDENTIAL  
THE INFORMATION CONTAINED IN THIS DRAWING IS THE SOLE PROPERTY OF CUSTOM WINDOW SYSTEMS, INC. ANY REPRODUCTION IN PART OR AS A WHOLE WITHOUT THE WRITTEN PERMISSION OF CUSTOM WINDOW SYSTEMS, INC IS PROHIBITED.

FLORIDA APPROVAL NO.:  
20838



9/18/2023  
LUCAS A. TURNER, P.E.  
FL PE # 58201  
Turner Engineering & Consulting, Inc.  
2428 Old Natchez Trc Trl  
Camden, TN 38320  
PH. 941-380-1574

SHEET DESCRIPTION:  
ANCHOR SCHEDULE AND NOTES

DRAWN BY: MCS	DATE: 9/15/2023
DWG #: CWS-1150	REV.: C
SCALE: 1:20	SHEET 7 OF 11



1900 SW 44TH AVE.  
OCALA, FLORIDA 34474  
WWW.CWS.CC

### 8800 PVC SLIDING GLASS DOOR - IMPACT

PROPRIETARY AND CONFIDENTIAL  
THE INFORMATION CONTAINED IN  
THIS DRAWING IS THE SOLE  
PROPERTY OF CUSTOM WINDOW  
SYSTEMS, INC. ANY  
REPRODUCTION IN PART OR AS A  
WHOLE WITHOUT THE WRITTEN  
PERMISSION OF CUSTOM WINDOW  
SYSTEMS, INC IS PROHIBITED.

FLORIDA APPROVAL NO.:  
20838

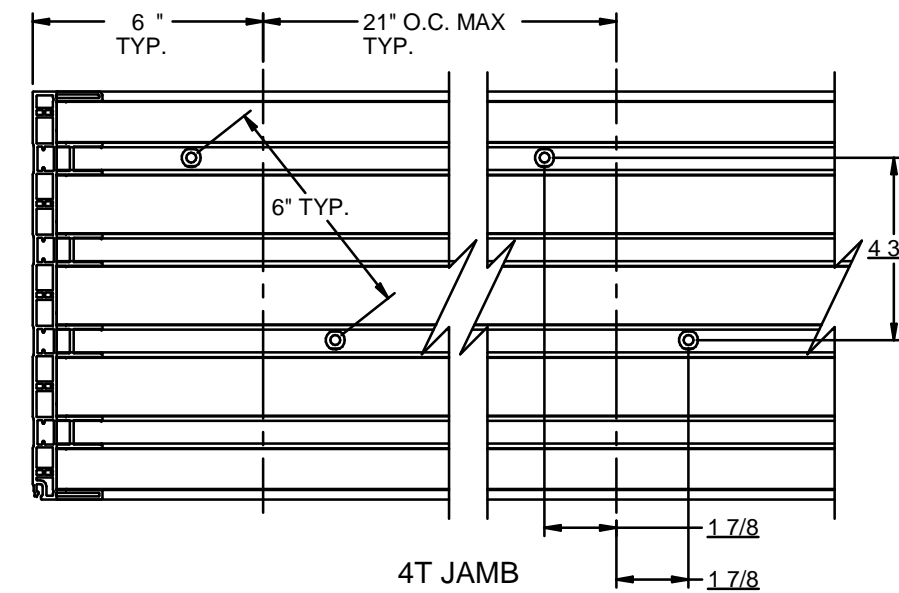
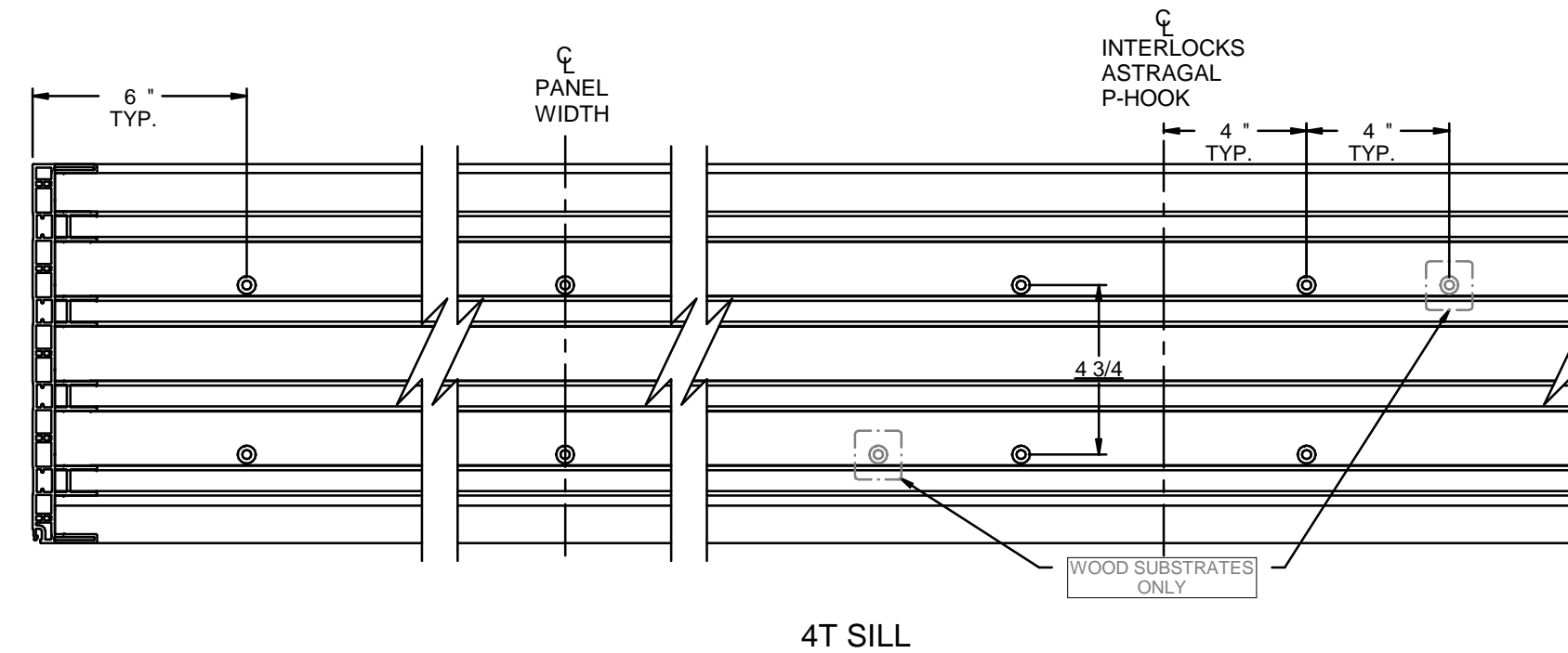
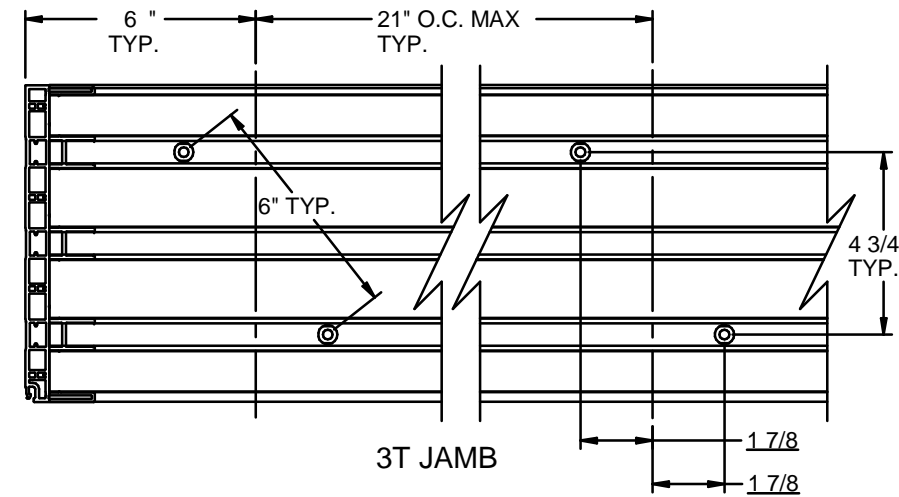
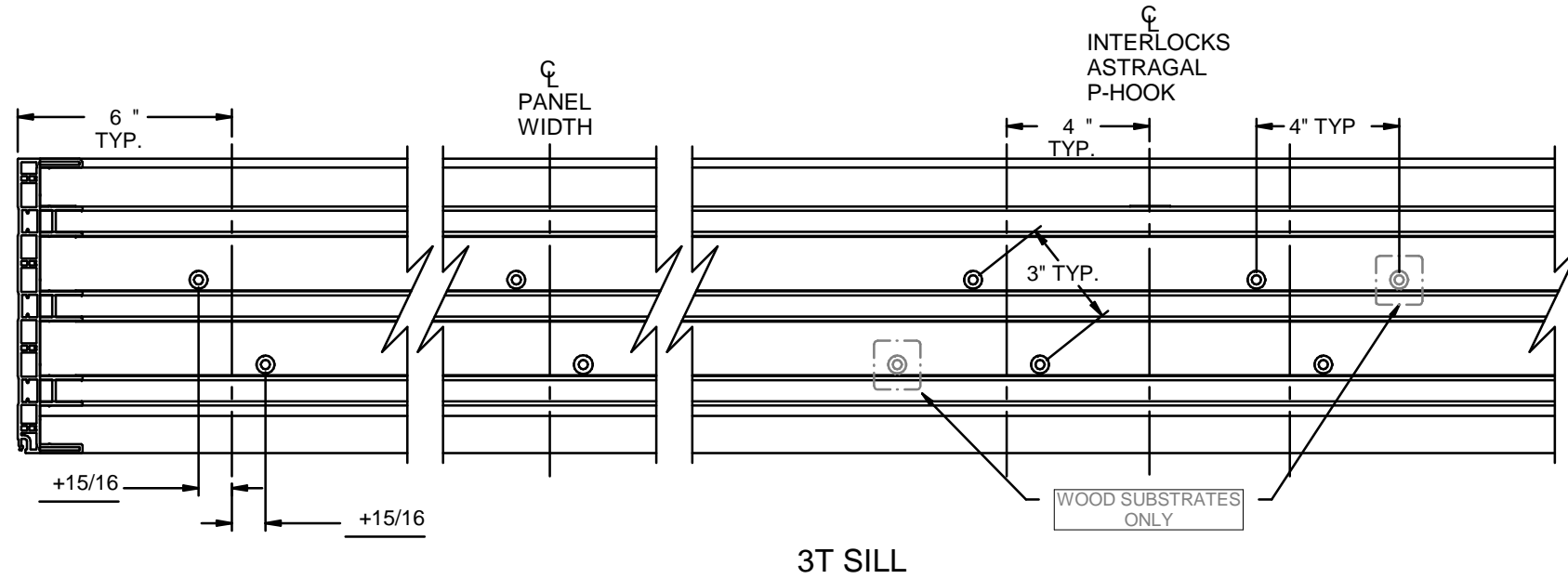
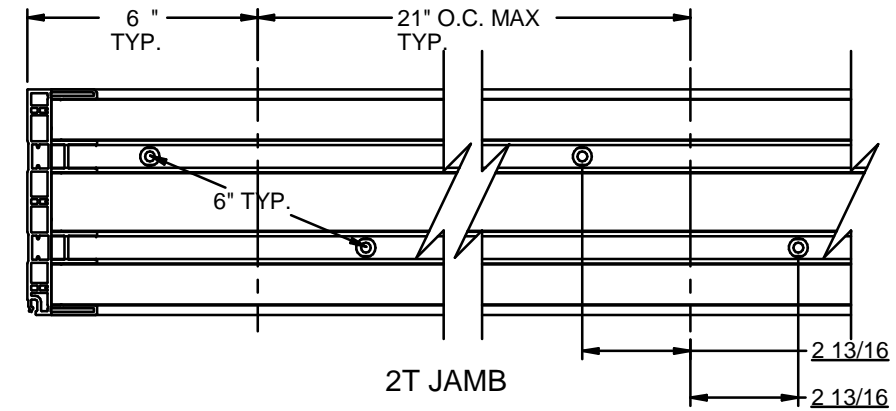
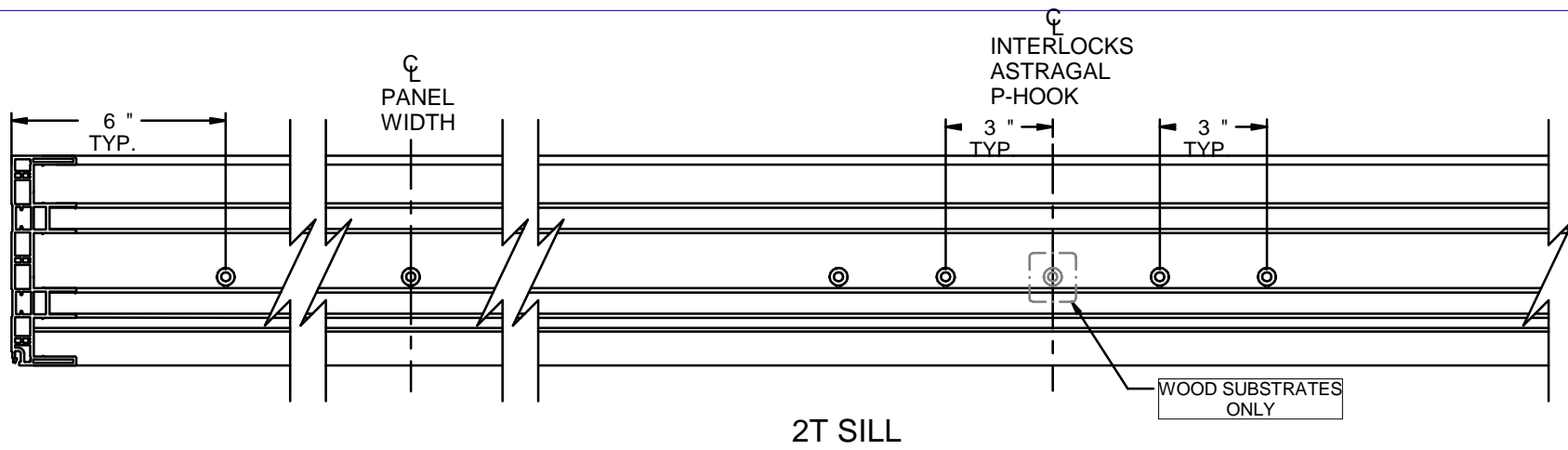


9/18/2023

LUCAS A. TURNER, P.E.  
FL PE # 58201  
Turner Engineering &  
Consulting, Inc.  
2428 Old Natchez Trc Trl  
Camden, TN 38320  
PH. 941-380-1574

SHEET DESCRIPTION:  
ANCHOR PATTERNS  
(JAMB & SILL)

DRAWN BY:	DATE:
MCS	9/15/2023
DWG #:	REV.:
CWS-1150	C
SCALE:	SHEET
1:5	8 OF 11



NOTE: C = CENTERLINE OF INTERLOCK OR ASTRAGAL

\* CIRCLED ANCHOR LOCATIONS REQ'D ONLY IN WOOD INSTALLATIONS.





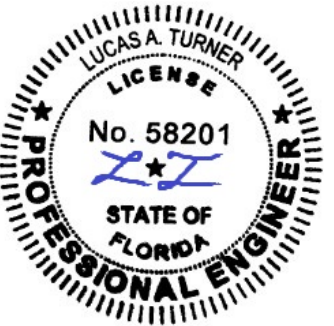
1900 SW 44TH AVE.  
 OCALA, FLORIDA 34474  
 WWW.CWS.CC

**8800 PVC  
 SLIDING GLASS  
 DOOR - IMPACT**

PROPRIETARY AND CONFIDENTIAL  
 THE INFORMATION CONTAINED IN  
 THIS DRAWING IS THE SOLE  
 PROPERTY OF CUSTOM WINDOW  
 SYSTEMS, INC. ANY  
 REPRODUCTION IN PART OR AS A  
 WHOLE WITHOUT THE WRITTEN  
 PERMISSION OF CUSTOM WINDOW  
 SYSTEMS, INC IS PROHIBITED.

FLORIDA APPROVAL NO.:

20838



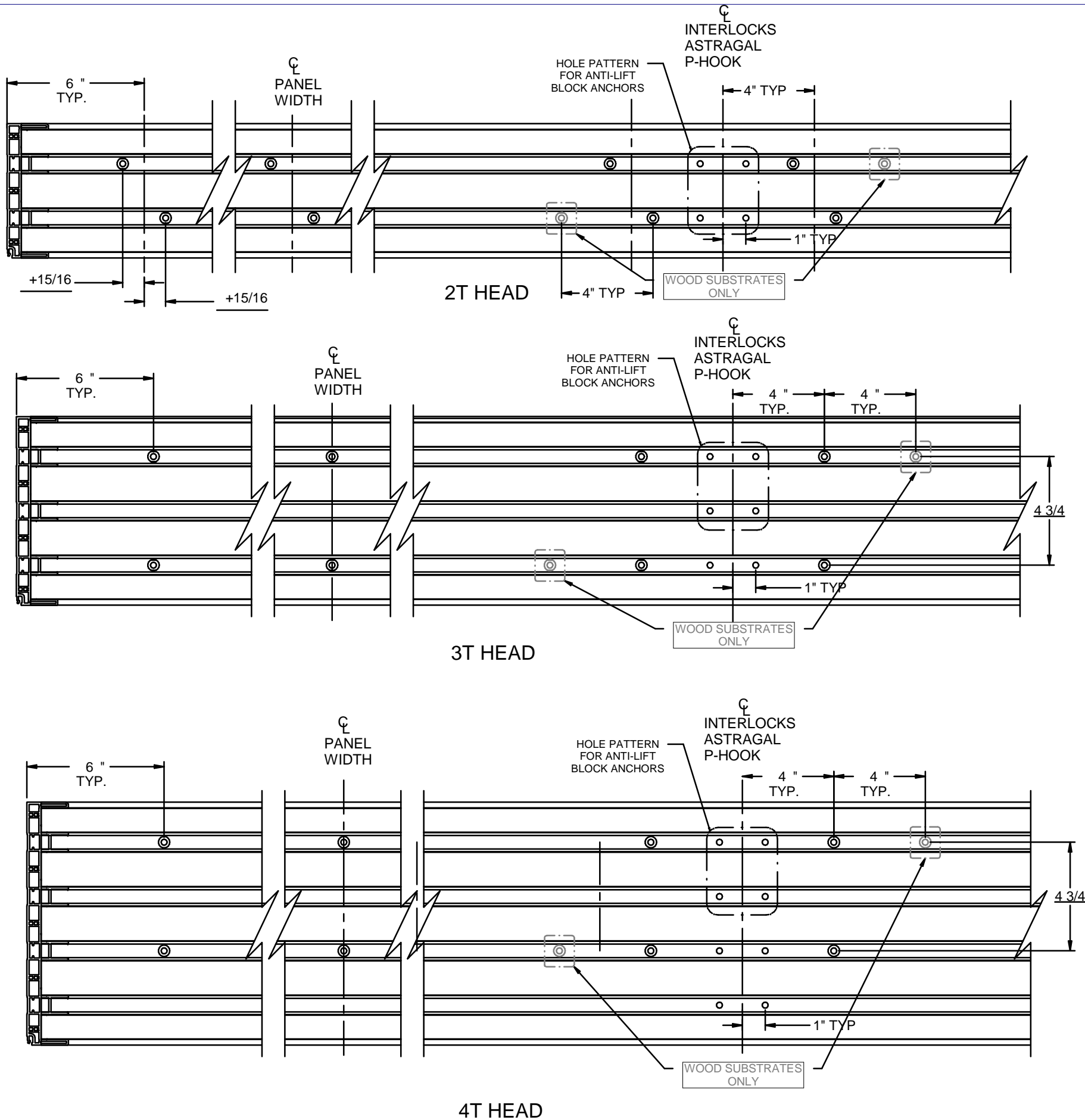
9/18/2023

LUCAS A. TURNER, P.E.  
 FL PE # 58201  
 Turner Engineering &  
 Consulting, Inc.  
 2428 Old Natchez Trc Trl  
 Camden, TN 38320  
 PH. 941-380-1574

SHEET DESCRIPTION:

**ANCHOR PATTERNS  
 (HEAD)**

DRAWN BY:	DATE:
MCS	9/15/2023
DWG #:	REV.:
CWS-1150	C
SCALE:	SHEET
1:5	9 OF 11



\* CIRCLED ANCHOR LOCATIONS REQ'D ONLY IN WOOD INSTALLATIONS.

NOTE: C = CENTERLINE OF INTERLOCK OR ASTRAGAL

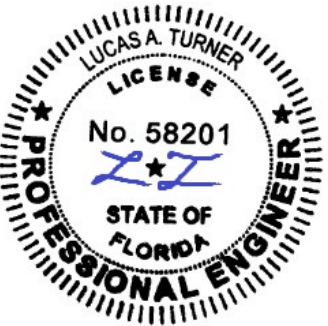


1900 SW 44TH AVE.  
OCALA, FLORIDA 34474  
WWW.CWS.CC

### 8800 PVC SLIDING GLASS DOOR - IMPACT

PROPRIETARY AND CONFIDENTIAL  
THE INFORMATION CONTAINED IN THIS DRAWING IS THE SOLE PROPERTY OF CUSTOM WINDOW SYSTEMS, INC. ANY REPRODUCTION IN PART OR AS A WHOLE WITHOUT THE WRITTEN PERMISSION OF CUSTOM WINDOW SYSTEMS, INC IS PROHIBITED.

FLORIDA APPROVAL NO.:  
20838



9/18/2023

LUCAS A. TURNER, P.E.  
FL PE # 58201  
Turner Engineering & Consulting, Inc.  
2428 Old Natchez Trc Trl  
Camden, TN 38320  
PH. 941-380-1574

SHEET DESCRIPTION:  
INSTALLATION DETAILS  
2 TRACK

DRAWN BY: MCS	DATE: 9/15/2023
DWG #: CWS-1150	REV.: C
SCALE: 1:3	SHEET 10 OF 11

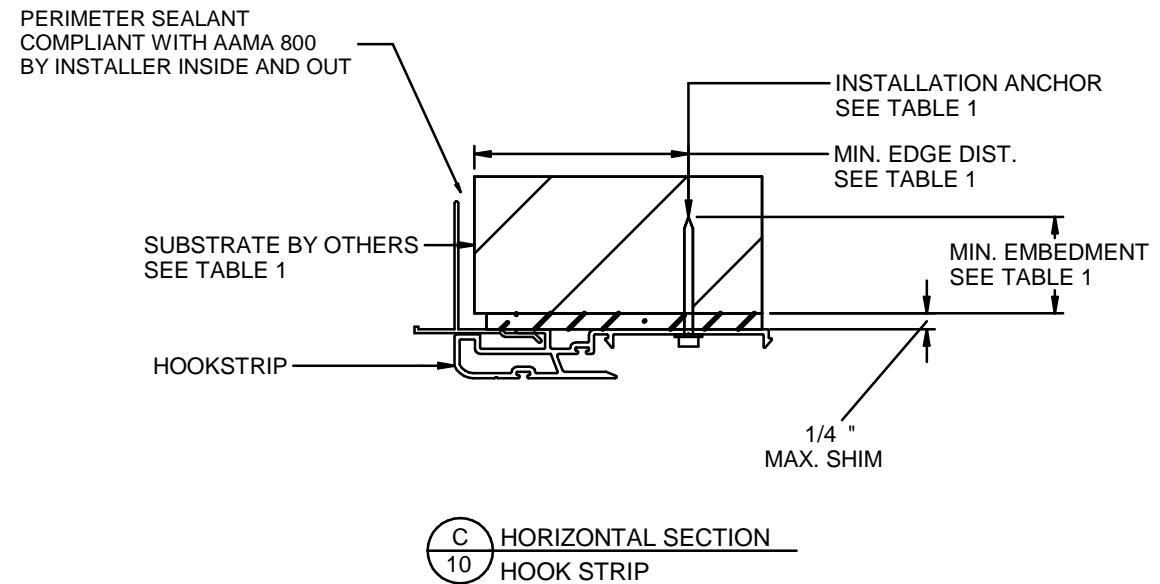
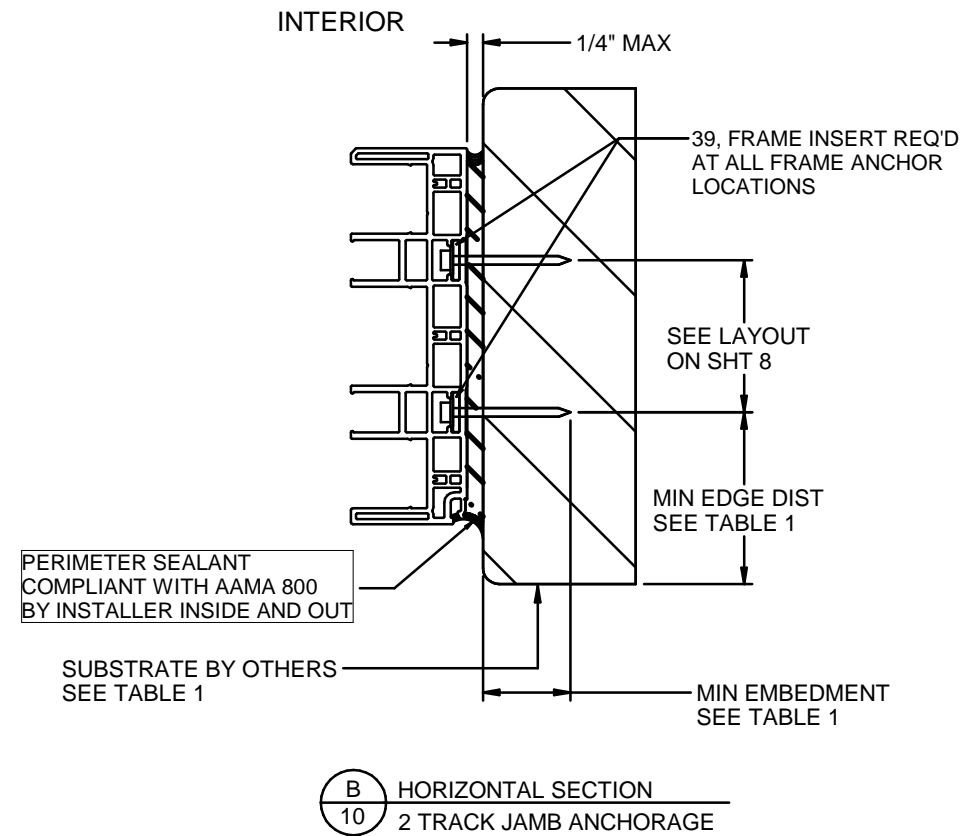
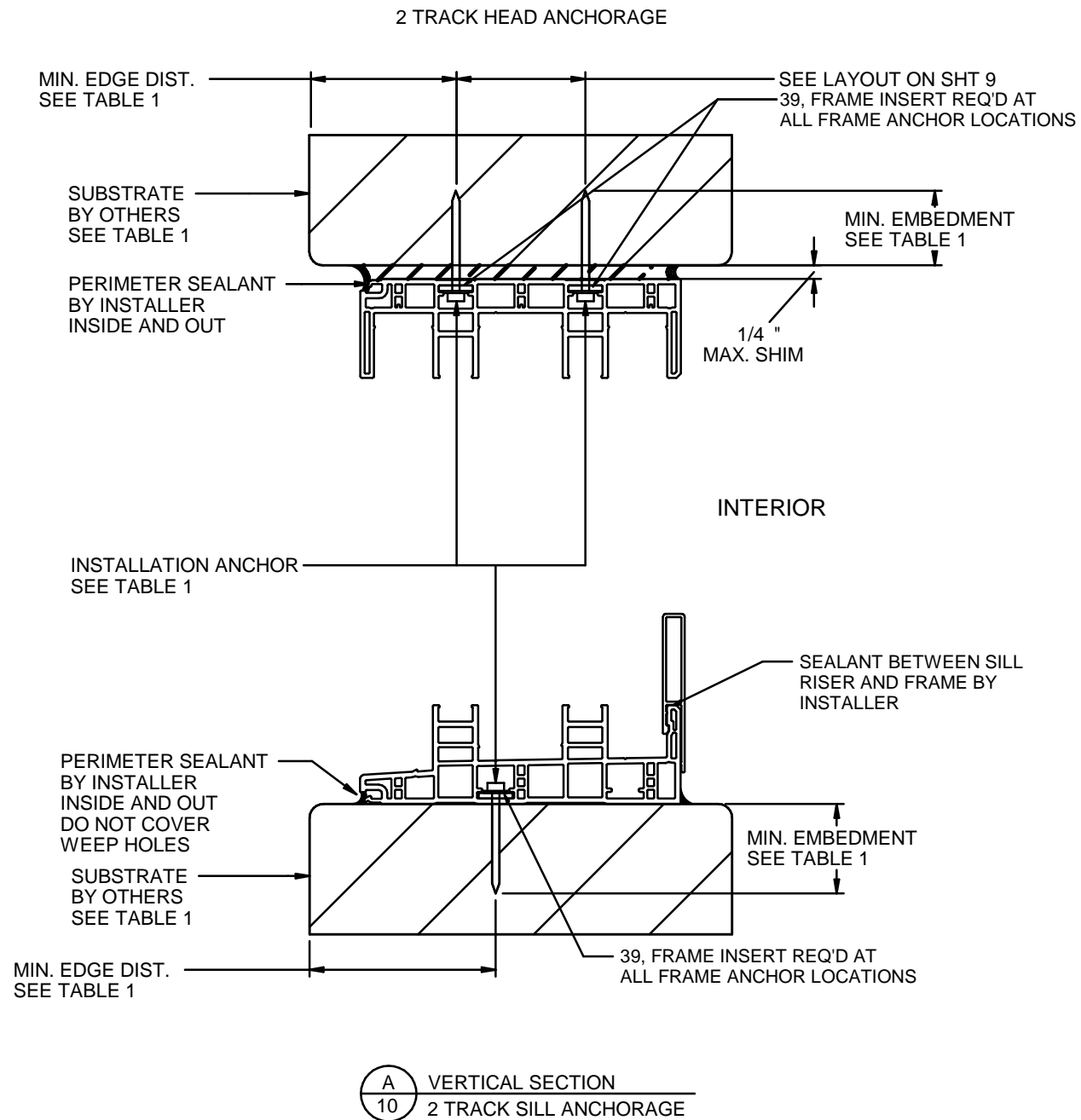


TABLE 1: APPROVED INSTALLATION FASTENERS

SUBSTRATE TYPE	ANCHOR TYPE	MIN. EMBEDMENT	MIN. EDGE DIST.
CONCRETE (2.0 KSI MIN.)	1/4" ITW TAPCON	1-1/2"	4"
CONCRETE (3.05 KSI MIN.)	1/4" DEWALT ULTRACON+	1-3/4"	2-1/2"
2X MIN. SOUTHERN PINE (G=0.55)	1/4" ITW TAPCON OR DEWALT ULTRACON+	1-3/8"	7/8"
2X MIN. SOUTHERN PINE (G=0.55)	#12 WOOD SCREW	1-3/8"	7/8"
16 GAUGE (0.060") MIN. STEEL STUD (33 KSI YIELD MIN)	#12-14 HILTI KWIK-FLEX OR ITW TEKS SELF-DRILLING SCREW	FULL THREAD THRU 0.060"	1/2"
1/8" ALUM. (6063-T5 MIN.) OR 1/8" STEEL (33 KSI MIN.)	#12 GRADE 5 SELF-TAPPING / DRILLING SCREW	FULL THREAD THRU 0.125"	1/2"
HOOKSTRIP OR JAMB FRAME ONLY: HOLLOW OR GROUT-FILLED CMU (ASTM C-90)	1/4" DEWALT ULTRACON+	1-3/4"	2-1/2"

### 8800 PVC SLIDING GLASS DOOR - IMPACT

PROPRIETARY AND CONFIDENTIAL  
THE INFORMATION CONTAINED IN THIS DRAWING IS THE SOLE PROPERTY OF CUSTOM WINDOW SYSTEMS, INC. ANY REPRODUCTION IN PART OR AS A WHOLE WITHOUT THE WRITTEN PERMISSION OF CUSTOM WINDOW SYSTEMS, INC IS PROHIBITED.

FLORIDA APPROVAL NO.:  
20838



9/18/2023

LUCAS A. TURNER, P.E.  
FL PE # 58201  
Turner Engineering & Consulting, Inc.  
2428 Old Natchez Trc Trl  
Camden, TN 38320  
PH. 941-380-1574

SHEET DESCRIPTION:  
INSTALLATION DETAILS  
3 & 4 TRACK

DRAWN BY: MCS	DATE: 9/15/2023
DWG #: CWS-1150	REV.: C
SCALE: 1:3	SHEET 11 OF 11

