

**SERIES SGD5570 VINYL, IMPACT RESISTANT SLIDING GLASS DOOR
INCLUDING POCKETS, 90° / 135° CORNERS & FIN ADDON**

FLORIDA PRODUCT APPROVAL #21179

IMPACT RATING
RATED FOR LARGE & SMALL
MISSILE IMPACT RESISTANCE
MISSILE LEVEL D, WINDZONE 4

DESIGN PRESSURE RATING
SEE TABLES 1, 2 & B1, B2
ON SHEETS 7 & 8

GENERAL NOTES:

- 1) GLAZING TYPE OPTIONS: SEE GLAZING DETAILS ON SHEET 10.
- 2) DESIGN PRESSURES:
A. NEGATIVE DESIGN LOADS BASED ON TESTED PRESSURE AND GLASS PER ASTM E1300.
B. POSITIVE DESIGN LOADS BASED ON WATER TEST PRESSURE AND GLASS PER ASTM E1300.
- 3) ANCHORAGE: THE 33-1/3% STRESS INCREASE HAS NOT BEEN USED IN THE DESIGN OF THIS PRODUCT. MATERIALS, INCLUDING BUT NOT LIMITED TO STEEL SCREWS, THAT COME INTO CONTACT WITH OTHER DISSIMILAR MATERIALS SHALL MEET THE REQUIREMENTS OF THE FLORIDA BUILDING CODE (FBC).
- 4) SHUTTERS ARE NOT REQUIRED PER FBC REQUIREMENTS, AS APPLICABLE.
- 5) INSTALLATION SCREWS & FRAME SPLICES TO BE SEALED WITH NARROW JOINT SEALANT. OVERALL SEALING/FLASHING STRATEGY FOR WATER RESISTANCE OF INSTALLATION SHALL BE DONE BY OTHERS AND IS BEYOND THE SCOPE OF THESE INSTRUCTIONS.
- 6) REFERENCES (NOA'S): ELCO ULTRACON, CRETEFLEX & AGGREGATOR ANCHOR NOA'S, VISION EXTRUSION, LTD. WHITE RIGID PVC NOA, VE 1000 TAN 202 AND LIGHTER SHADES (NON-WHITE) RIGID PVC NOA AND BROWN COATED (PAINTED OR LAMINATED) WHITE RIGID PVC NOA
REFERENCES (TEST REPORTS): FTL-6367, 6368, 6370, 6371, 6376-6380 & 8539-8545; EXOVA-10-002-792(A) & 10-006-10231; CAMBRIDGE 535753-09;
- 7) DOOR SIZES MUST BE VERIFIED FOR COMPLIANCE WITH EGRESS REQUIREMENTS OF THE FBC, AS APPLICABLE.
- 8) DRAWINGS DEPICT EXTERIOR-GLAZING, HOWEVER INTERIOR-GLAZING MAY BE SUBSTITUTED.
- 9) THE 5570 SERIES SLIDING GLASS DOOR MAY ALSO BE KNOWN AS THE 570/2770 SERIES.

ANCHOR NOTES:

- 1) FOR CONCRETE/CMU SUBSTRATE, SEE TABLE A ON THIS SHEET FOR EMBEDMENT, EDGE DISTANCE AND SUBSTRATE REQUIREMENTS.
- 2) FOR OTHER SUBSTRATE APPLICATIONS SEE TABLE A ON THIS SHEET.
- 3) WOOD BUCKS DEPICTED AS 1X ARE LESS THAN 1-1/2" THICK. PROPERLY SECURED, 1X WOOD BUCKS ARE OPTIONAL IF UNIT IS INSTALLED DIRECTLY TO SOLID CONCRETE OR CMU. WOOD BUCKS DEPICTED AS 2X ARE 1-1/2" THICK OR GREATER. 1X AND 2X BUCKS (WHEN USED) SHALL BE DESIGNED TO PROPERLY TRANSFER LOADS TO THE STRUCTURE. BUCK DESIGN AND INSTALLATION IS THE RESPONSIBILITY OF THE ENGINEER OR ARCHITECT OF RECORD & TO BE REVIEWED BY THE BUILDING OFFICIAL.
- 4) IF SILL IS TIGHT TO SUBSTRATE, GROUT OR OTHER MATERIAL IS NOT REQUIRED. IF USED, NON-SHRINK, NON-METALLIC GROUT, MAX. 1/4" THICK & 3400 PSI MIN., (DONE BY OTHERS) MUST FULLY SUPPORT THE ENTIRE LENGTH OF THE SILL THAT IS NOT TIGHT TO THE SUBSTRATE, AND TRANSFER SHEAR LOAD TO SUBSTRATE. IF SUBSTRATE IS WOOD, 30# FELT PAPER OR MASTIC IS REQUIRED BETWEEN THE GROUT AND WOOD SUBSTRATE, OR AS APPROVED BY THE AUTHORITY HAVING JURISDICTION.

INSTRUCTIONS:

- 1) KNOWING THE REQUIRED DESIGN PRESSURE OF THE OPENING, THE ANCHOR REQUIREMENTS FOR THE SLIDING GLASS DOORS MAY BE DETERMINED FROM DESIGN PRESSURE TABLES 1 OR 2, DEPENDING ON THE GLASS/REINFORCEMENT.
- 2) LOCATE THE SLIDING GLASS DOOR SIZE ON THE TABLE, USING THE FRAME HEIGHT AND THE NOMINAL PANEL WIDTH IF YOUR EXACT SIZE IS NOT LISTED, ROUND UP TO THE NEXT GREATER LISTED WIDTH AND/OR HEIGHT.
- 3) CHOOSE WHICH ANCHOR GROUP (A-D) IS MOST APPLICABLE. ANCHORS ARE DEFINED IN TABLE A, THIS SHEET, ALONG WITH THE CORRESPONDING SUBSTRATE, MINIMUM EMBEDMENT AND MINIMUM EDGE DISTANCE.
- 4) FROM THE DESIGN PRESSURE TABLES (TABLES 1 OR 2), VERIFY THAT THE OPENING'S REQUIRED DESIGN PRESSURE IS MET OR EXCEEDED. USE THE ANCHOR QUANTITIES SHOWN.
- 5) INSTALL AS PER THE GUIDELINES OF THIS SHEET-SET.
- 6) ADDITIONALLY, SEE THE EXAMPLE ON SHEET 9.

Nominal Panel Size		Design Pressure		Product Rating
Width	Height	(+) psf	(-) psf	
48"	120"	60	65	LC-PG60
60"	96"	80	80	LC-PG80
48"	96"	100	100	LC-PG100
48"	96"	60	60	LC-PG60
60"	120"	45	50	LC-PG45

GENERAL NOTES..... 1
 EXAMPLE CONFIGS.....2
 INSTALL DETAILS.....3-6
 DP/ANCHOR TABLES.....7-8
 EXAMPLE.....9
 GLAZING DETAILS..... 10
 ANCHOR LOCATIONS.....11-16
 PANEL TYPES..... 17
 EXTRUSIONS.....18
 ACCESSORIES.....19
 SCREEN DETAILS..... 20
 PARTS LIST.....21
 FIN ADDON INSTALL.....22-25

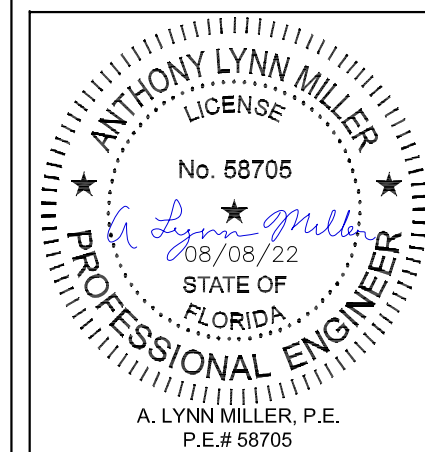
TABLE A:

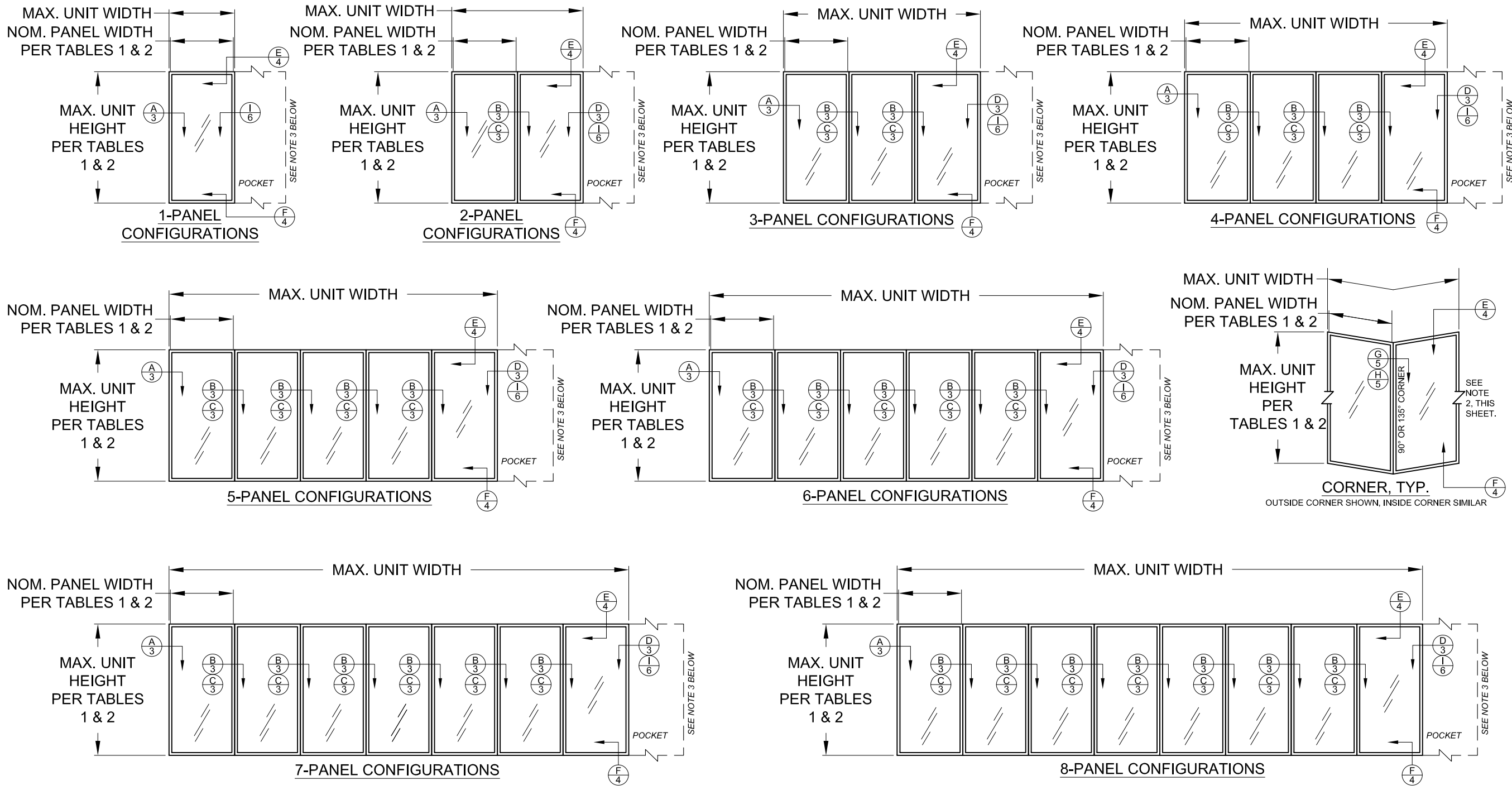
Group	Anchor	Substrate	Frame Member	Min. Edge Distance	Min. Embedment
A	#12, steel SMS (G5) or 410 S.S. SMS, (min. 11 threads/in)	P.T. Southern Pine (SG=0.55)	Head/Sill/Jamb	9/16"	1-3/8"
			P-hook	9/16"	1-3/8"
		Aluminum, 6063-T5* (0.125" min. thickness)	Head/Sill/Jamb	3/8"	1/8"
			P-hook	3/8"	1/8"
		Steel, A36* (0.060" min. thickness)	Head/Sill/Jamb	3/8"	0.060"
			P-hook	3/8"	0.060"
	Steel Stud, A653 Gr. 33* (0.071" min. thickness)	Head/Sill/Jamb	3/8"	0.071" (14 Ga.)	
		P-hook	3/8"	0.071" (14 Ga.)	
	1/4" Elco Ultracon	P.T. Southern Pine (SG=0.55)	Head/Sill/Jamb	1"	1-3/8"
			P-hook	1"	1-3/8"
1/4" DeWalt Ultracon+	P.T. Southern Pine (SG=0.55)	Head/Sill/Jamb	1"	1-3/8"	
		P-hook	1"	1-3/8"	
1/4" Elco 410 S.S. CreteFlex	P.T. Southern Pine (SG=0.55)	Head/Sill/Jamb	1"	1-3/8"	
		P-hook	1"	1-3/8"	
B	#12, steel wood screw (G5)	P.T. Southern Pine (SG=0.55)	Head/Sill/Jamb	9/16"	1-3/8"
			P-hook	9/16"	1-3/8"
C	1/4" Elco Ultracon	Concrete (min. 2.85 ksi)	P-hook	1"	1-3/8"
			Head/Sill/Jamb	1-3/16"	1-3/8"
		UngROUTED CMU, (ASTM C-90)	Jamb	1"	1-1/4"
			P-hook	1"	1-1/4"
	1/4" DeWalt Ultracon+	Concrete (min. 3.00 ksi)	P-hook	1"	1-3/8"
			Head/Sill/Jamb	1-1/2"	1-3/8"
		UngROUTED CMU, (ASTM C-90)	Jamb	1"	1-1/4"
			P-hook	1"	1-1/4"
	1/4" Elco 410 S.S. CreteFlex	UngROUTED CMU, (ASTM C-90)	Jamb	1-3/4"	1-1/4"
			P-hook	1-3/4"	1-1/4"
		Concrete (min. 3.35 ksi)	Head/Sill/Jamb	1-3/16"	1-3/4"
			P-hook	1"	1-3/4"
1/4" Elco 18-8 S.S. Aggre-Gator	Concrete (min. 2.22 ksi)	Head/Sill/Jamb	1-1/2"	1-3/8"	
		P-hook	1-1/2"	1-3/8"	
	UngROUTED CMU, (ASTM C-90)	Jamb	2"	1-1/4"	
		P-hook	2"	1-1/4"	
D	1/4" Elco Ultracon	Concrete (min. 2.85 ksi)	Head/Sill/Jamb	2-1/2"	1-3/8"
			P-hook	2-1/2"	1-3/8"
		UngROUTED CMU, (ASTM C-90)	Jamb	2-1/2"	1-1/4"
			P-hook	2-1/2"	1-1/4"
	1/4" DeWalt Ultracon+	Concrete (min. 3.00 ksi)	Head/Sill/Jamb	2-1/2"	1-3/8"
			P-hook	2-1/2"	1-3/8"
		UngROUTED CMU, (ASTM C-90)	Jamb	2-1/2"	1-1/4"
			P-hook	2-1/2"	1-1/4"
1/4" Elco 410 S.S. CreteFlex	Concrete (min. 3.35 ksi)	Head/Sill/Jamb	2-1/2"	1-3/4"	
		P-hook	2-1/2"	1-3/8"	
	UngROUTED CMU, (ASTM C-90)	Jamb	2-1/2"	1-1/4"	
		P-hook	2-1/2"	1-1/4"	

* MIN. OF 3 THREADS BEYOND THE METAL SUBSTRATE.
 FOR STEEL STUDS, MIN. FU=45 KSI & MIN. FY=33 KSI.
 "UNGROUTED CMU" VALUES MAY BE USED FOR GROUTED CMU APPLICATIONS.
 ALL ANCHOR HEAD TYPES APPLICABLE.

C
 Rev.# 08/01/22
 Date
 UPDATED CERT. METHOD
 Rev.

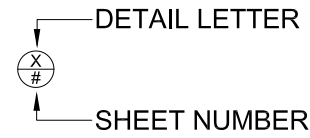
PREPARED BY A. LYNN MILLER 1070 TECHNOLOGY DRIVE N. VENICE, FL 34275 (941) 480-1600	REGISTRATION #29296 COPYRIGHT © 2022 PGT, INC., LIMITED LICENSE TO MAKE COPIES FOR PERMITTING.	Date 06/12/11	JENS ROSOWSKI Drawn By	No. DWG 1 OF 25	Series SGD5570FPA-LM
	1070 TECHNOLOGY DRIVE N. VENICE, FL 34275 (941) 480-1600				





CONFIGURATIONS NOTES:

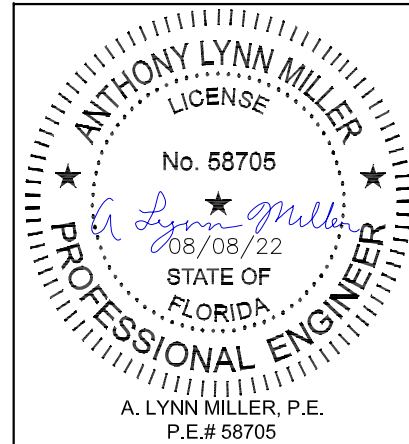
- 1) ALL CONFIGURATIONS SHOWN ARE ALSO AVAILABLE AS POCKET CONFIGURATIONS AT EITHER OR BOTH JAMB LOCATIONS.
EXAMPLE: 4-PANEL XXXX IN POCKET (p) CONFIGURATION CAN BE pXXXXp, pXXXX OR XXXXp. OXXX IN POCKET CONFIGURATION CAN BE OXXXp.
- 2) 90° & 135° CORNER CONFIGURATIONS ARE A COMBINATION OF ANY 2 STRAIGHT CONFIGURATIONS.
- 3) POCKET WALL OR CAVITY IS NOT PART OF THIS APPROVAL AND IS TO BE DESIGNED BY OTHERS AND REVIEWED BY THE AUTHORITY HAVING JURISDICTION.
- 4) FOR NOM. PANEL WIDTH, SEE TABLES 1 & 2.

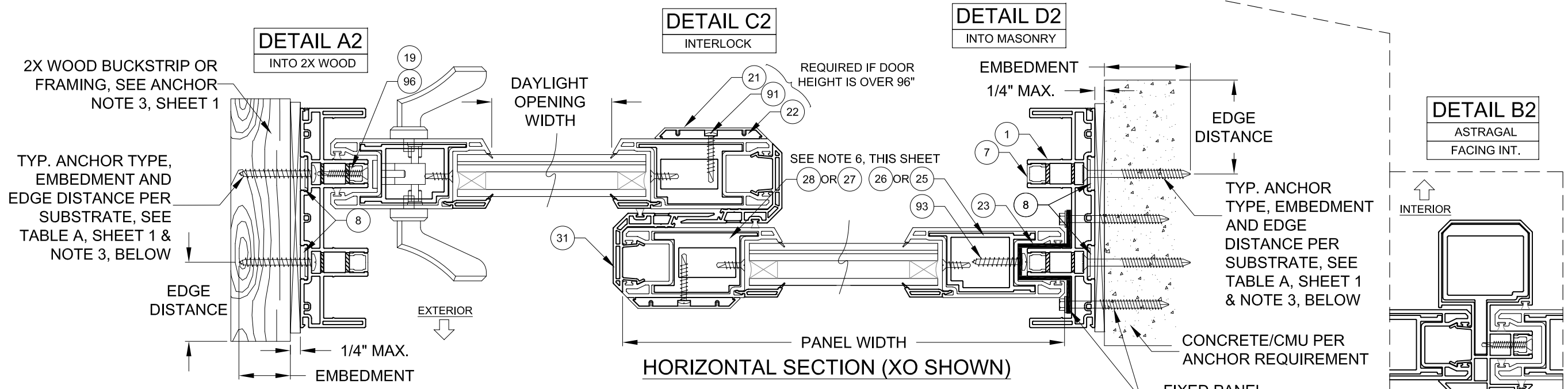
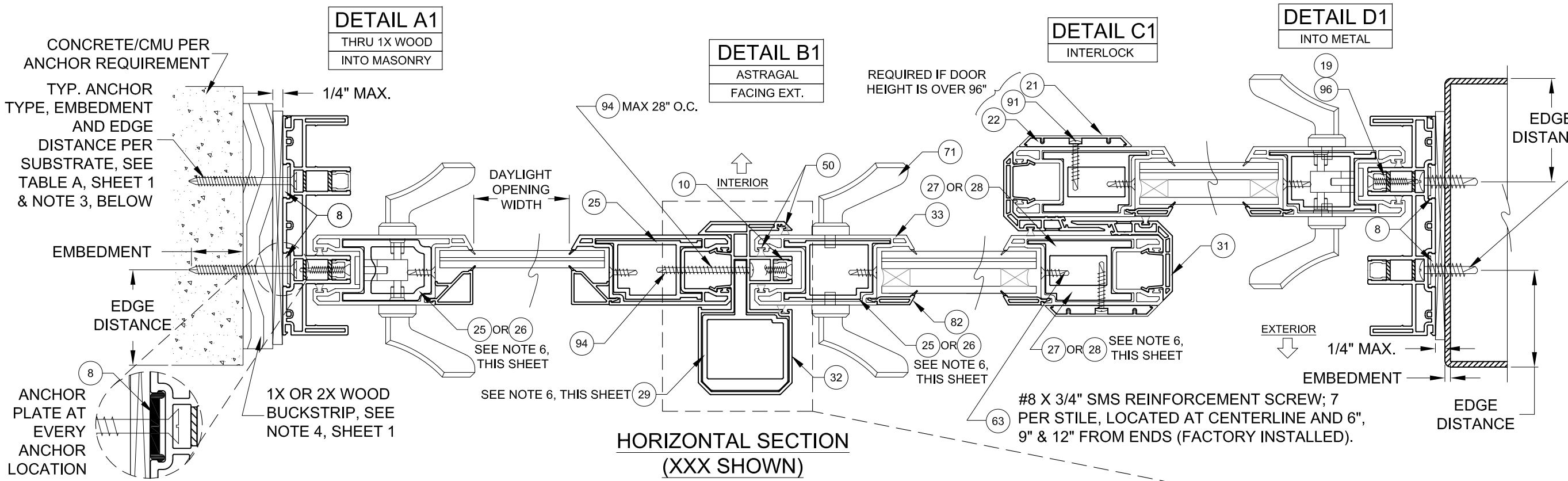


"X" = OPERABLE PANEL
 "O" = INOPERABLE PANEL
 "p" = POCKET

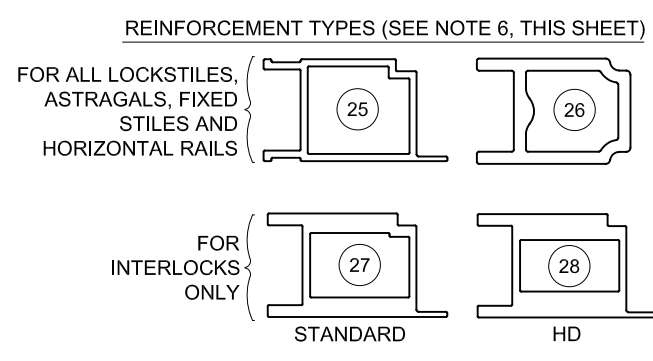
DLO WIDTH = NOMINAL PANEL WIDTH - 7-3/8"
 DLO WIDTH = ACTUAL PANEL WIDTH - 8-9/16"
 DLO HEIGHT = DOOR UNIT HEIGHT - 11-1/16"
 PANEL HEIGHT = DOOR UNIT HEIGHT - 2-1/2"

PREPARED BY A. LYNN MILLER 1070 TECHNOLOGY DRIVE N. VENICE, FL 34275 (941) 480-1600	REGISTRATION #29296 COPYRIGHT © 2022 PGT, INC., LIMITED LICENSE TO MAKE COPIES FOR PERMITTING.	Date: 06/12/11 By: JENS ROSOWSKI	No. DWG: 2 OF 25 Sheet: 2 OF 25	Series: SGD5570V Desc.: EXAMPLE CONFIGURATIONS Title: VINYL SLIDING GLASS DOOR (LM)	No. SGD5570FPA-LM
	VINYL SLIDING GLASS DOOR (LM) EXAMPLE CONFIGURATIONS				



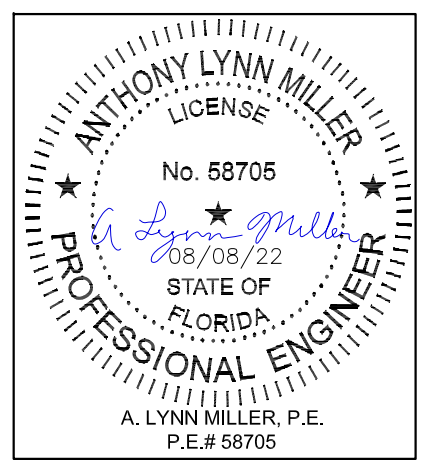


- NOTES**
- 1) DETAILS APPLY TO 2, 3 AND 4 TRACK CONFIGURATIONS.
 - 2) REFER TO ANCHOR NOTES, SHEET 1.
 - 3) SEE SHEET 13 FOR ANCHOR LOCATION & SPACING, FOR ANCHOR QUANTITIES, SEE TABLES 1 & 2.
 - 4) CONTINUOUS ANCHOR PLATE, ITEM #8, IS REQUIRED AT ALL FRAME ANCHOR LOCATIONS.
 - 5) PANEL WIDTH DOES NOT INCLUDE INTERLOCK OR ASTRAGAL ADD-ON.
 - 6) SEE TABLES 1 & 2 FOR REINFORCEMENT REQUIREMENTS. ALL REINFORCEMENTS ARE APPROXIMATELY THE FULL LENGTH OF THE EXTRUSION. REFER TO TEST REPORTS FOR EXACT DIMENSIONS.
 - 7) SEE SHEET 20 FOR SCREEN DETAILS.



TYP. ANCHOR TYPE, EMBEDMENT AND EDGE DISTANCE PER SUBSTRATE, SEE TABLE A, SHEET 1 & NOTE 3, ANCHOR LENGTH TO BE A MIN. OF 3 THREADS BEYOND THE METAL SUBSTRATE

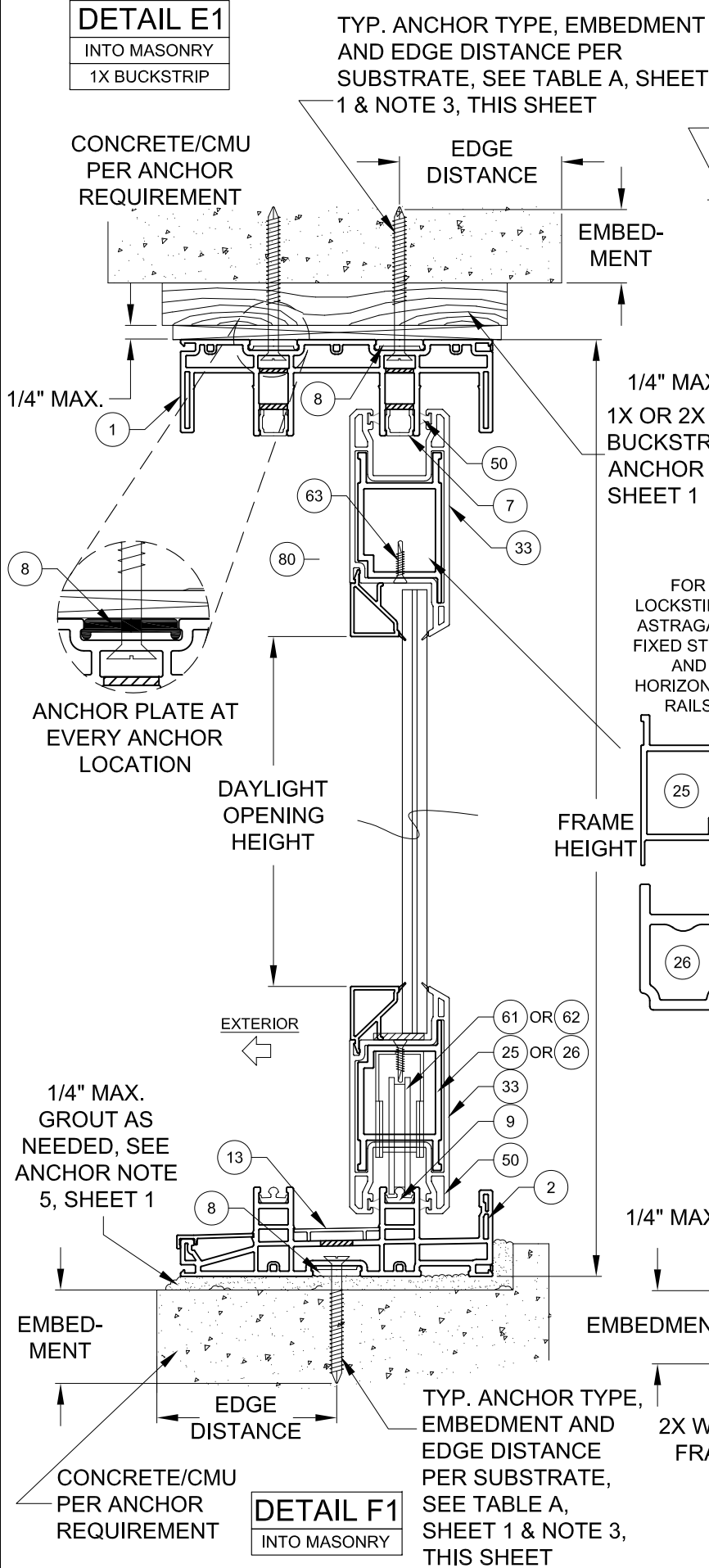
PREPARED BY A. LYNN MILLER 1070 TECHNOLOGY DRIVE N. VENICE, FL 34275 (941) 480-1600	REGISTRATION #29296 COPYRIGHT © 2022 PGT, INC., LIMITED LICENSE TO MAKE COPIES FOR PERMITTING.	06/12/11 Date	JENS ROSOWSKI By	SGD5570FPA-LM DWG No.
1070 TECHNOLOGY DRIVE N. VENICE, FL 34275 (941) 480-1600		VINYL SLIDING GLASS DOOR (LM)		
		3 OF 25 Sheet	3 OF 25 DWG No.	SGD5570V Series Desc.



Rev. # 08/01/22
 Date
 UPDATED CERT. METHOD
 Rev.

DETAIL E1

INTO MASONRY
1X BUCKSTRIP

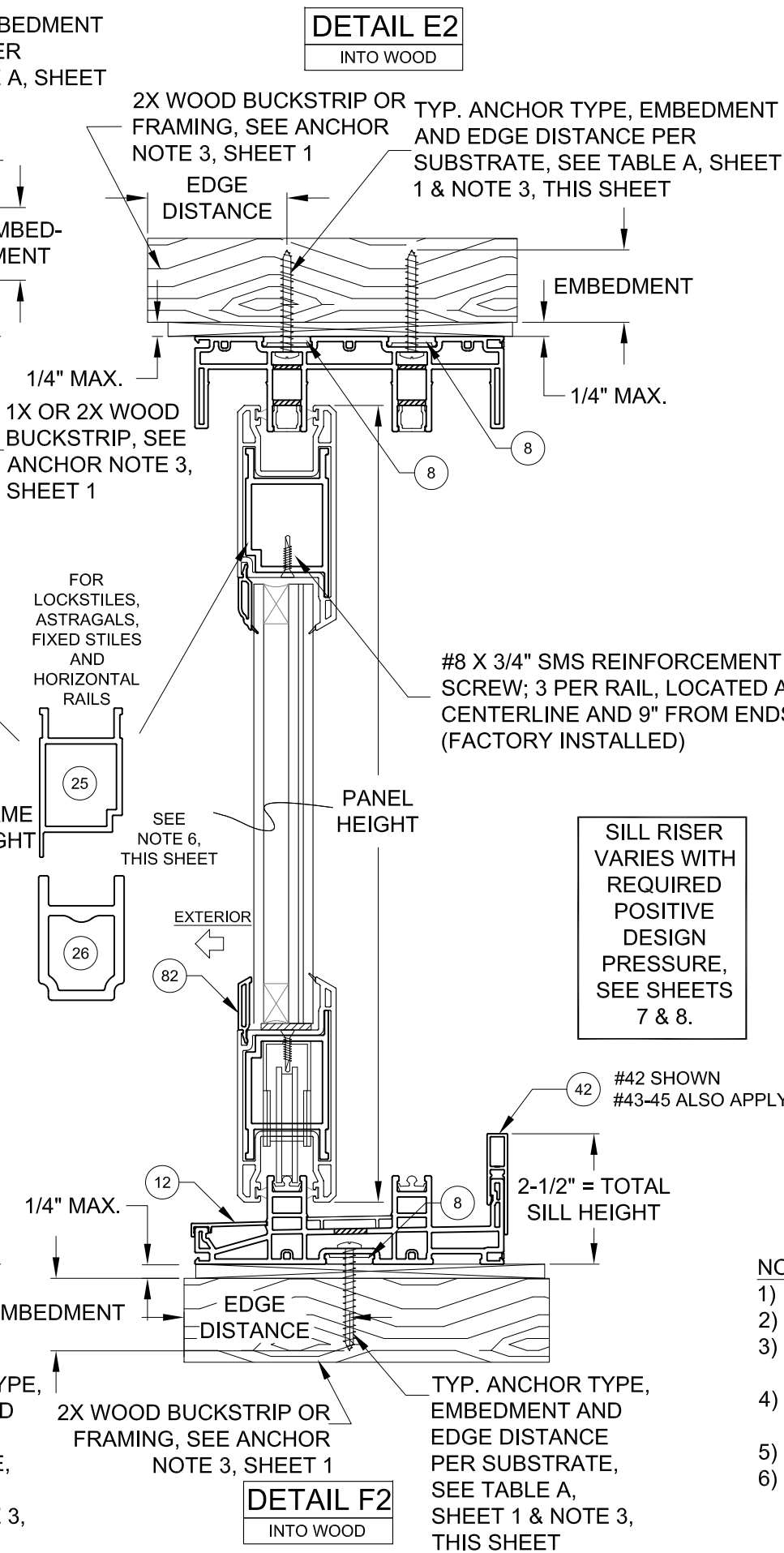


DETAIL F1
INTO MASONRY

TYP. ANCHOR TYPE, EMBEDMENT AND EDGE DISTANCE PER SUBSTRATE, SEE TABLE A, SHEET 1 & NOTE 3, THIS SHEET

DETAIL E2

INTO WOOD

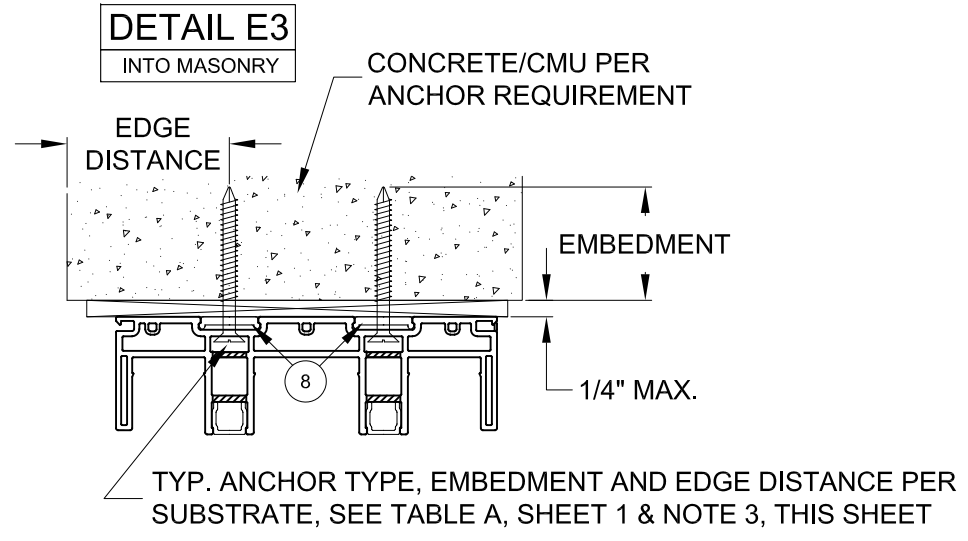


DETAIL F2
INTO WOOD

TYP. ANCHOR TYPE, EMBEDMENT AND EDGE DISTANCE PER SUBSTRATE, SEE TABLE A, SHEET 1 & NOTE 3, THIS SHEET

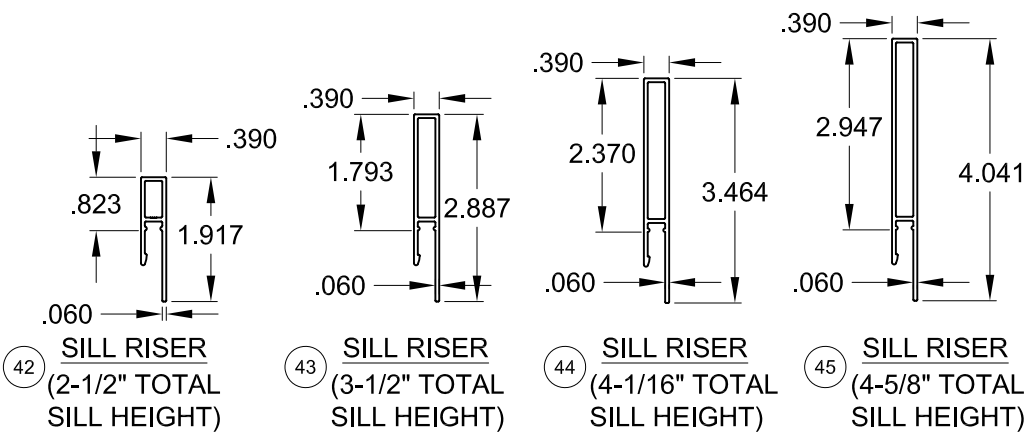
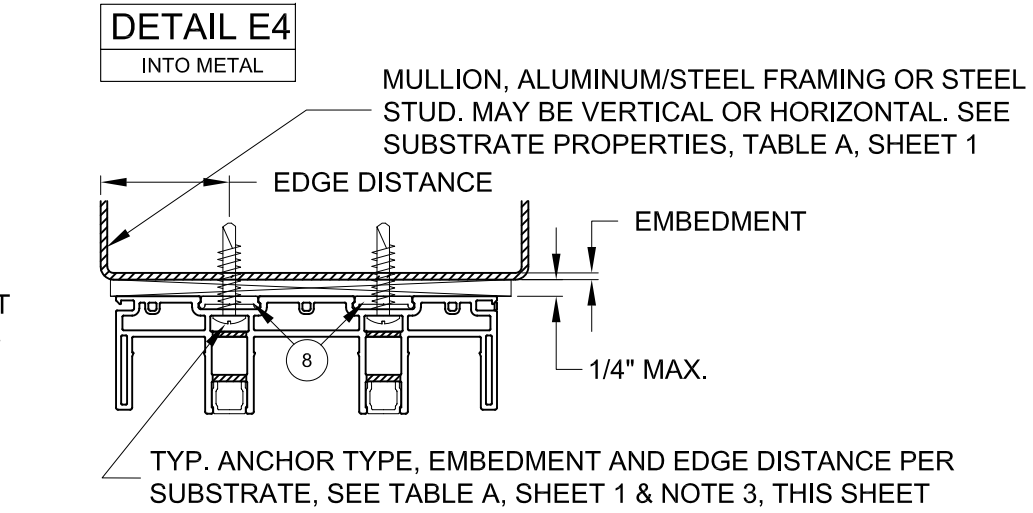
DETAIL E3

INTO MASONRY



DETAIL E4

INTO METAL



SILL RISER VARIES WITH REQUIRED POSITIVE DESIGN PRESSURE, SEE SHEETS 7 & 8.

NOTES

- 1) DETAILS APPLY TO 2, 3 AND 4 TRACK CONFIGURATIONS.
- 2) REFER TO ANCHOR NOTES, SHEET 1.
- 3) SEE SHEETS 11 & 12 FOR ANCHOR LOCATION & SPACING, FOR ANCHOR QUANTITIES, SEE TABLES 1 & 2.
- 4) CONTINUOUS ANCHOR PLATE, ITEM #8, IS REQUIRED AT ALL FRAME ANCHOR LOCATIONS.
- 5) SEE SHEET 20 FOR SCREEN DETAILS.
- 6) SEE TABLES 1 & 2 FOR REINFORCEMENT REQUIREMENTS. ALL REINFORCEMENTS ARE APPROXIMATELY THE FULL LENGTH OF THE EXTRUSION. REFER TO TEST REPORTS FOR EXACT DIMENSIONS.

PREPARED BY A. LYNN MILLER
1070 TECHNOLOGY DRIVE
N. VENICE, FL 34275
(941) 480-1600

REGISTRATION #29296
COPYRIGHT © 2022 PGT, INC., LIMITED LICENSE
TO MAKE COPIES FOR PERMITTING.

1070 TECHNOLOGY DRIVE
N. VENICE, FL 34275
(941) 480-1600

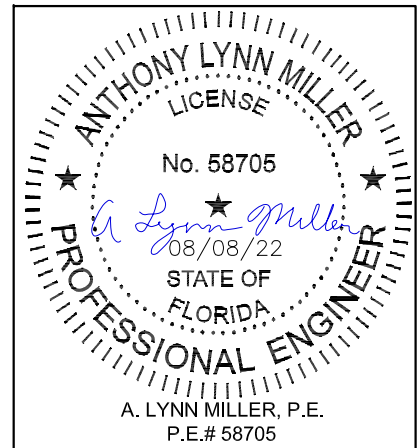
VINYL SLIDING GLASS DOOR (LM)

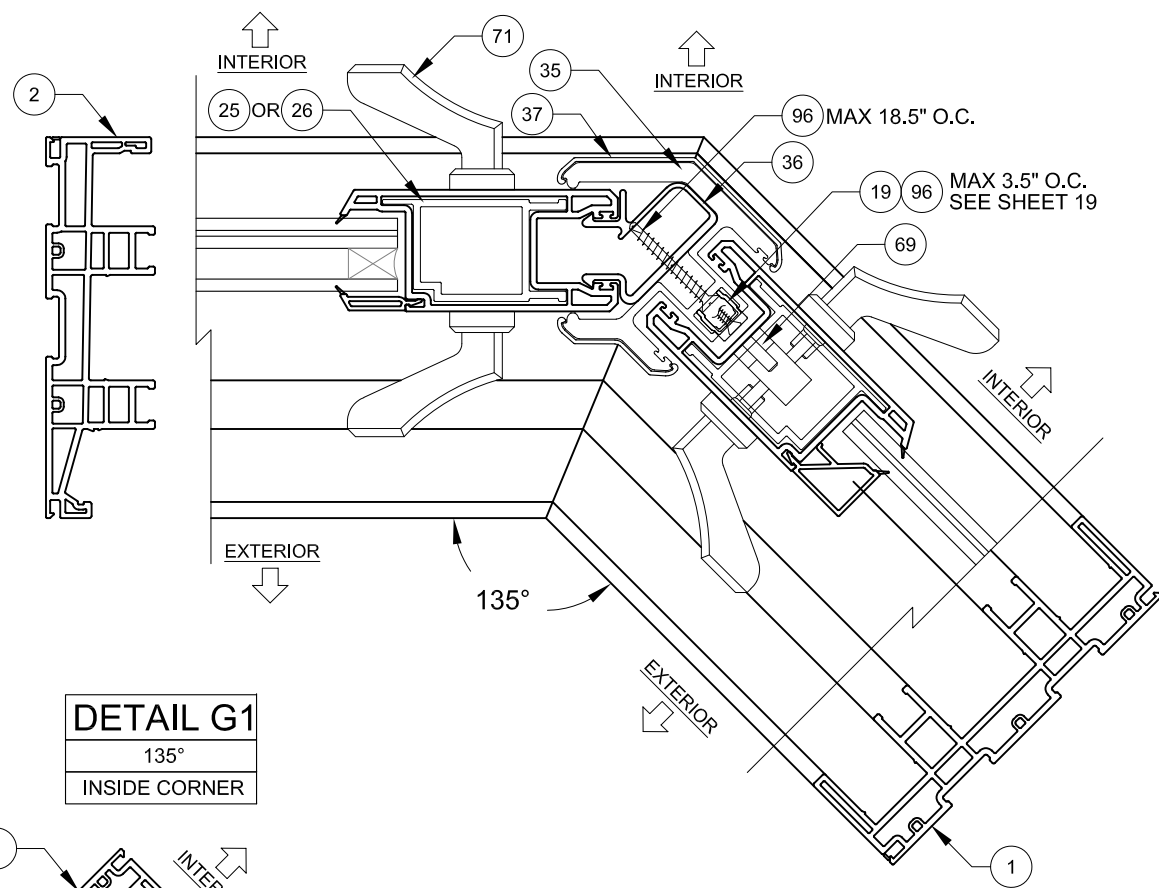
INSTALLATION, VERT. SECTIONS

JENS ROSOWSKI

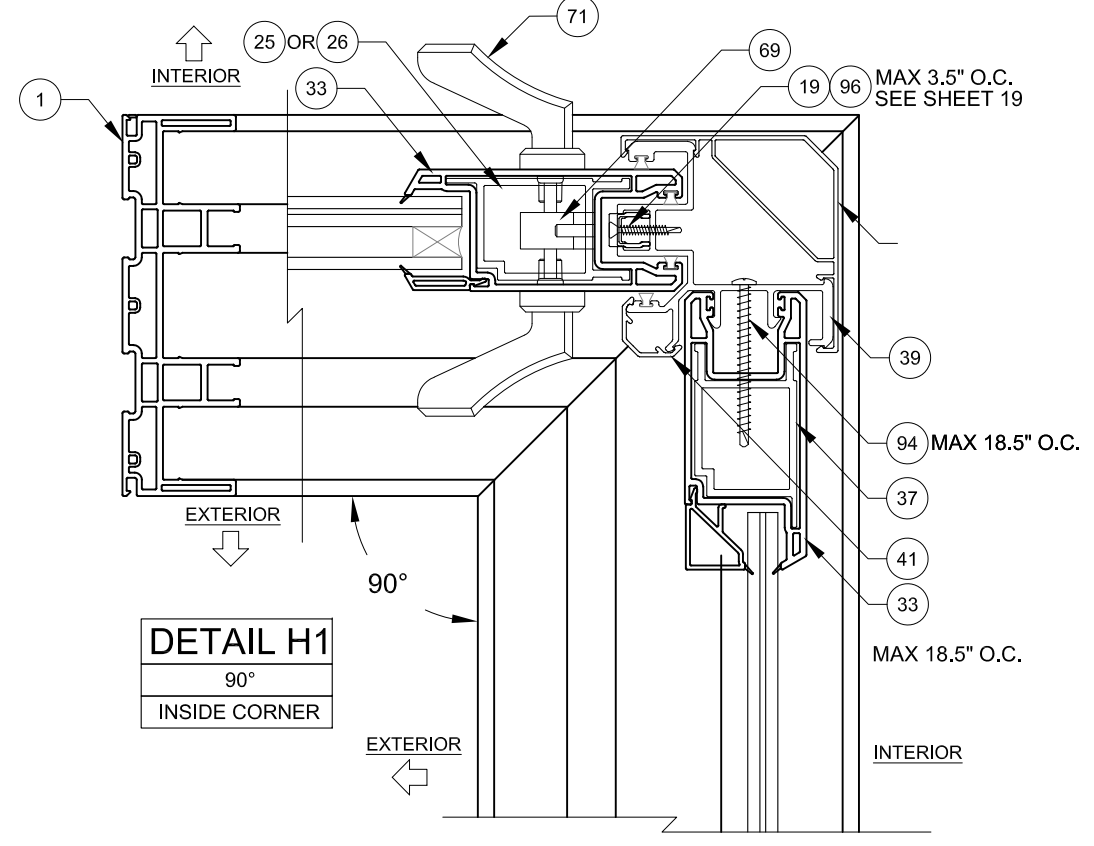
SGD5570V 4 OF 25 SGD5570FPA-LM

06/12/11

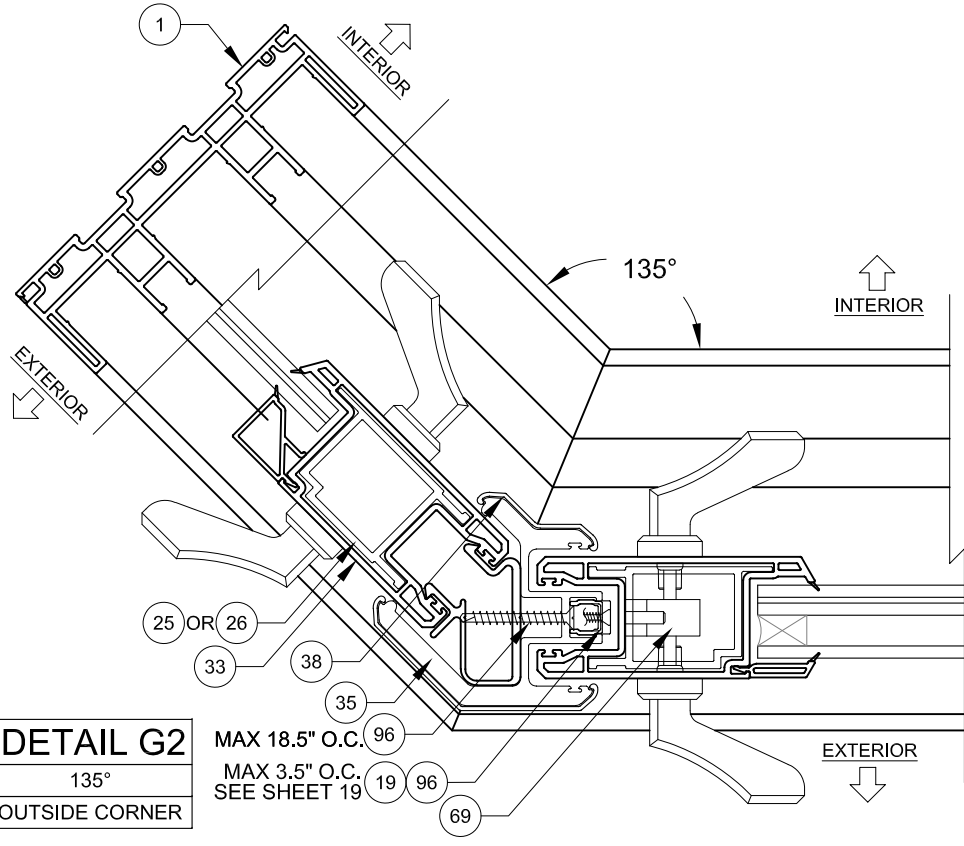




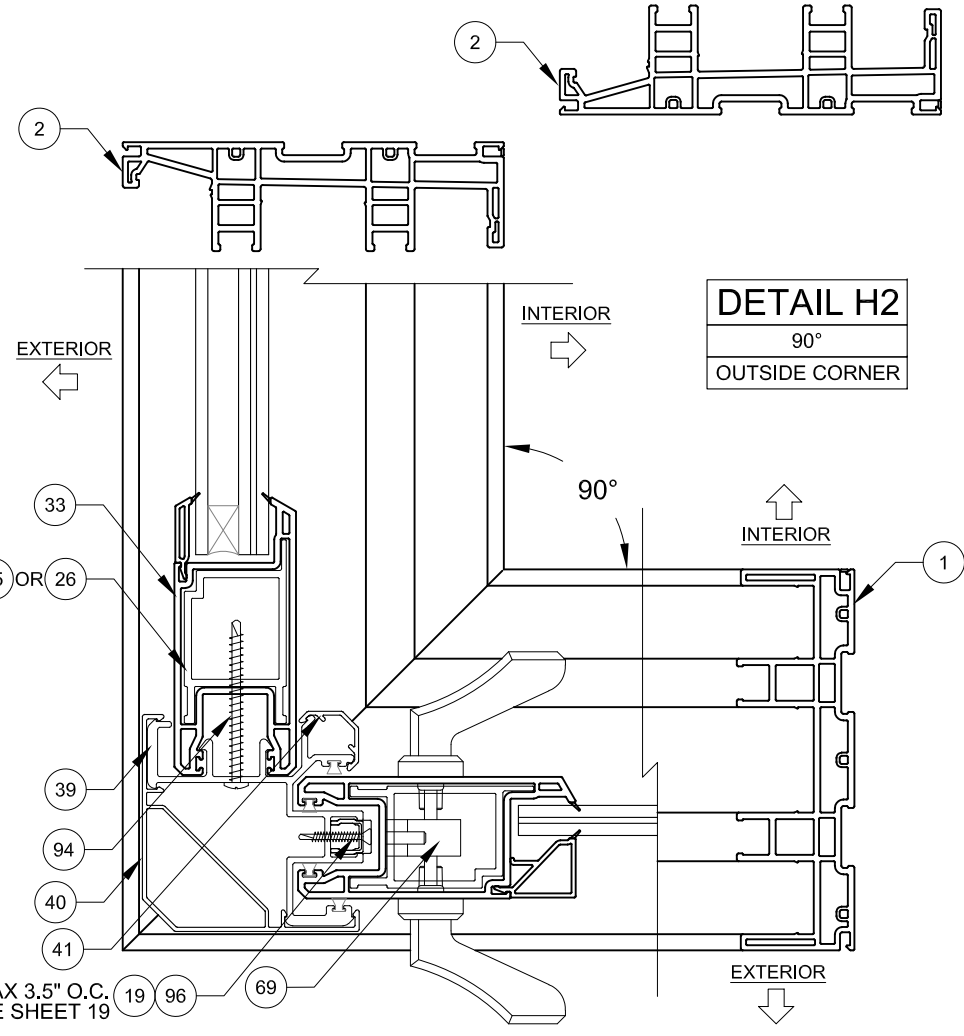
DETAIL G1
135°
INSIDE CORNER



DETAIL H1
90°
INSIDE CORNER



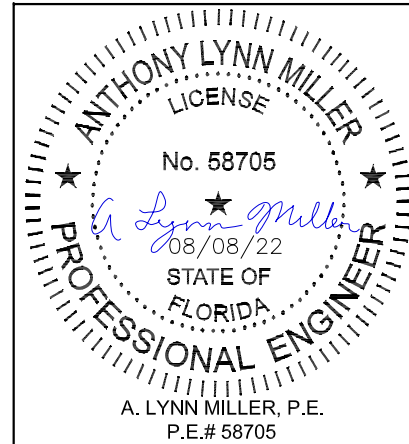
DETAIL G2
135°
OUTSIDE CORNER

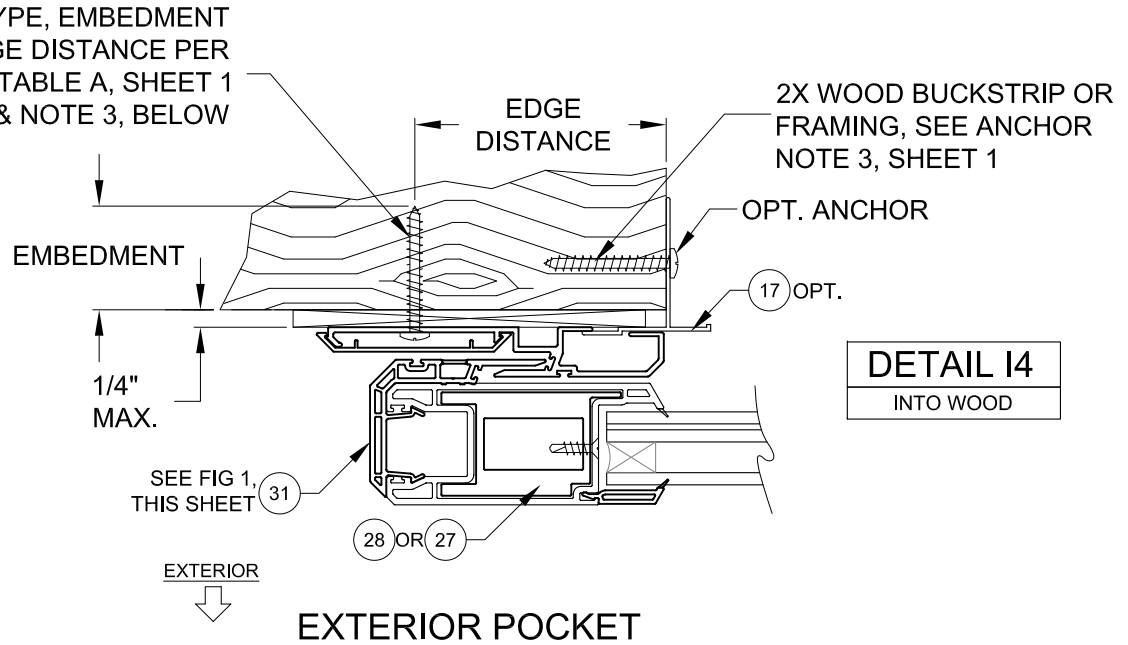
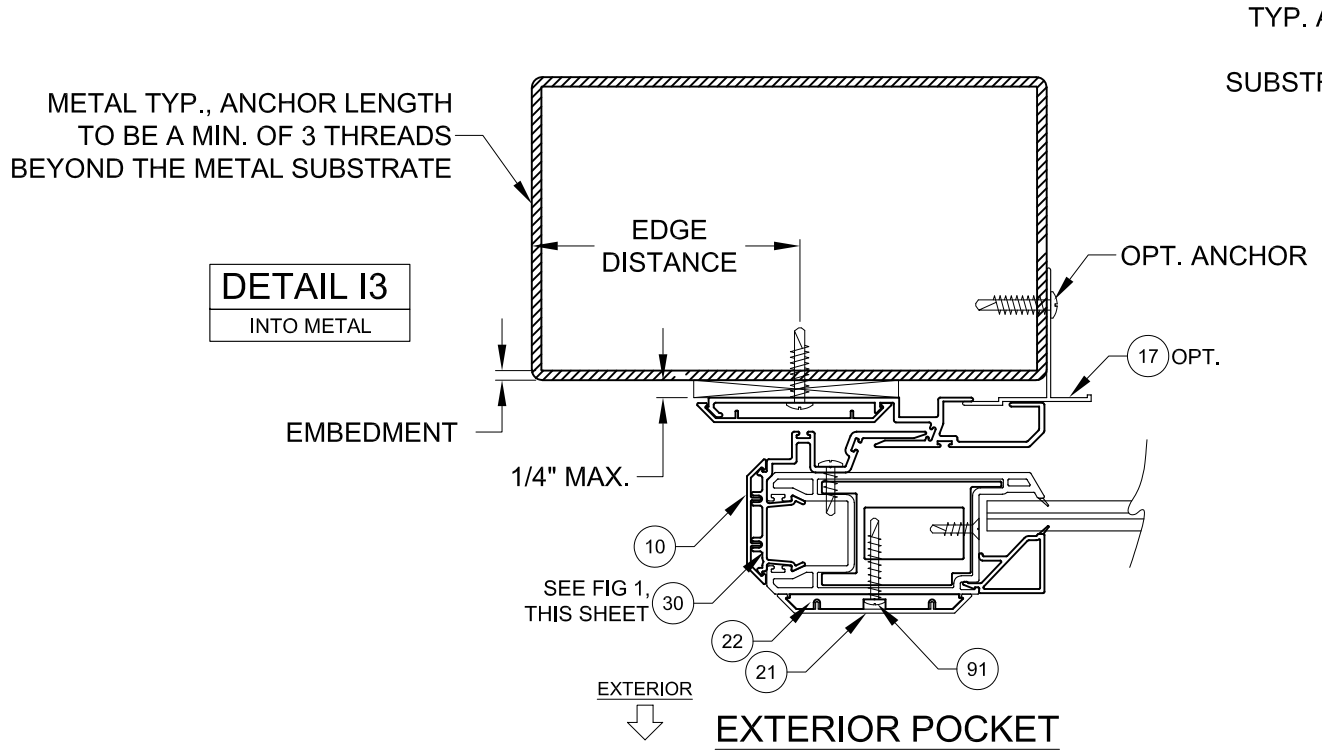
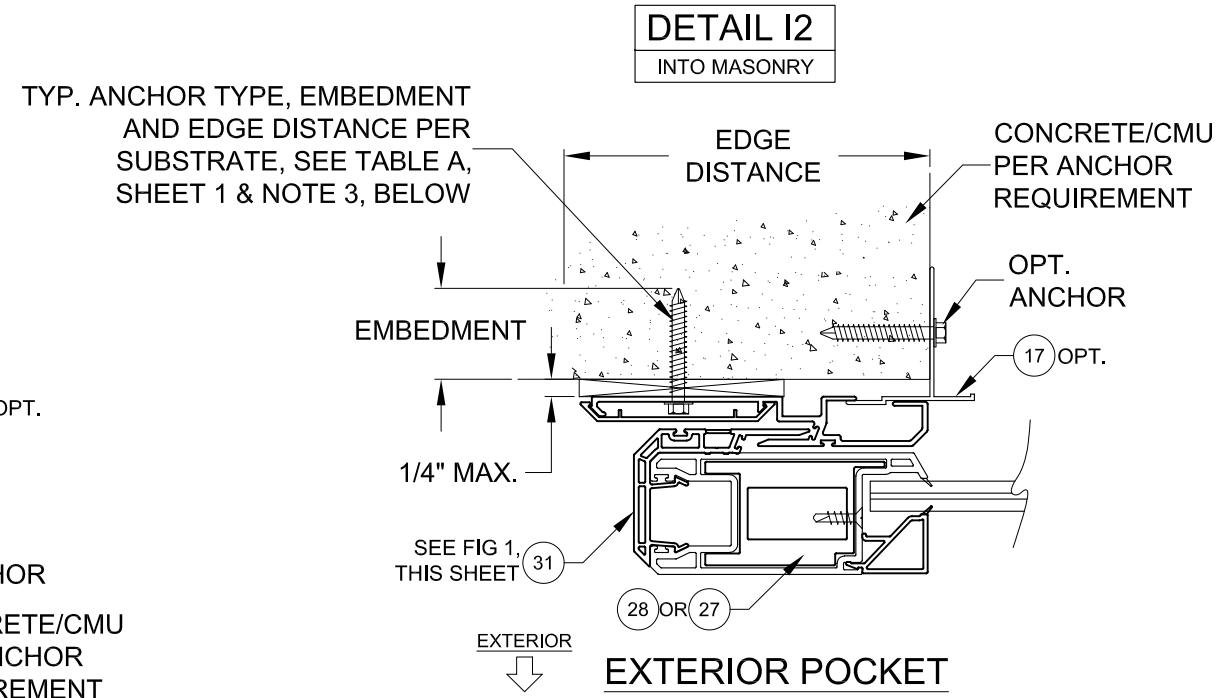
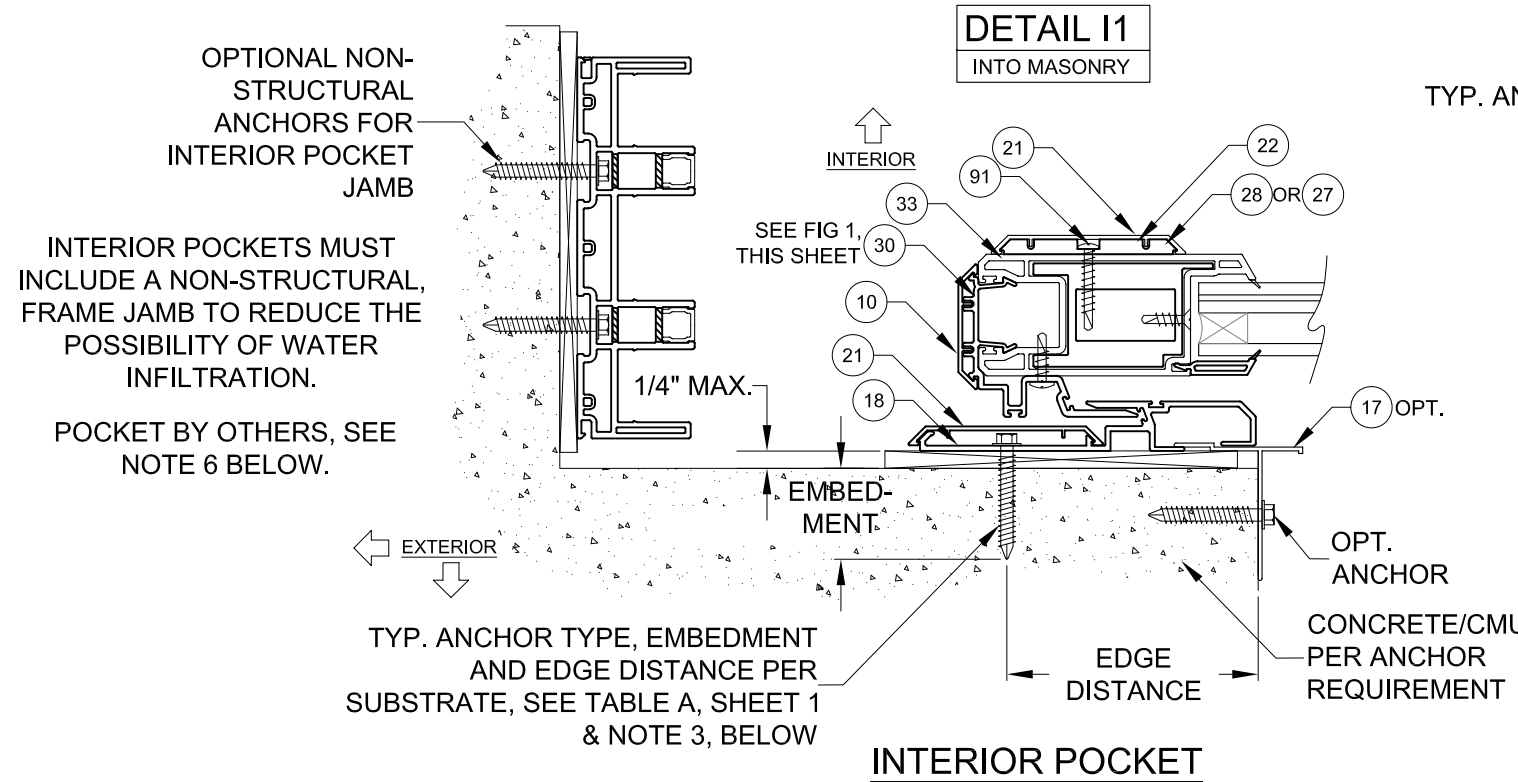


DETAIL H2
90°
OUTSIDE CORNER

- NOTES**
- 1) DETAILS APPLY TO 2, 3 AND 4 TRACK CONFIGURATIONS.
 - 2) SEE SHEETS 14 & 15 FOR ANCHOR LOCATION & SPACING, FOR ANCHOR QUANTITIES, SEE TABLES 1 & 2.
 - 3) CORNER ASTRAGAL MAY BE EITHER TO THE INTERIOR OR EXTERIOR, DEPENDING ON CONFIGURATION.

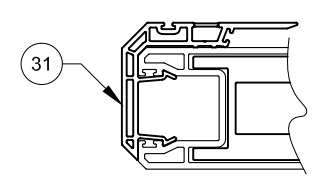
PREPARED BY A. LYNN MILLER 1070 TECHNOLOGY DRIVE N. VENICE, FL 34275 (941) 480-1600	REGISTRATION #29296 COPYRIGHT © 2022 PGT, INC., LIMITED LICENSE TO MAKE COPIES FOR PERMITTING.	Date 06/12/11	Drawn By JENS ROSOWSKI	No. 5 OF 25	DWG SGD5570FPA-LM
	1070 TECHNOLOGY DRIVE N. VENICE, FL 34275 (941) 480-1600	VINYL SLIDING GLASS DOOR (LM) CORNER ASTRAGAL	Series SGD5570V	Sheet 5 OF 25	Title SGD5570FPA-LM



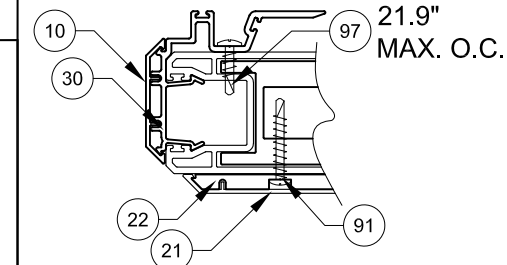


- NOTES**
- 1) DETAILS APPLY TO 2, 3 AND 4 TRACK CONFIGURATIONS.
 - 2) REFER TO ANCHOR NOTES, SHEET 1.
 - 3) SEE SHEET 13 FOR ANCHOR LOCATION & SPACING, FOR ANCHOR QUANTITIES, SEE TABLES 1 & 2.
 - 4) SEE TABLES 1 & 2 FOR REINFORCEMENT REQUIREMENTS.
 - 5) INTERIOR OR EXTERIOR POCKETS APPLICABLE FOR ALL INSTALLATION METHODS.
 - 6) POCKET WALL OR CAVITY IS NOT PART OF THIS APPROVAL AND IS TO BE DESIGNED BY OTHERS AND REVIEWED BY THE AUTHORITY HAVING JURISDICTION.

FIGURE 1, INTERLOCKS AT POCKETS:
FOR DOOR HEIGHTS 96" AND LESS:



FOR DOOR HEIGHTS OVER 96"



PREPARED BY A. LYNN MILLER 1070 TECHNOLOGY DRIVE N. VENICE, FL 34275 (941) 480-1600	REGISTRATION #29296 COPYRIGHT © 2022 PGT, INC., LIMITED LICENSE TO MAKE COPIES FOR PERMITTING.	Date: 06/12/11	Drawn By: JENS ROSOWSKI	DWG No.: 6 OF 25	Series Desc. Title: VINYL SLIDING GLASS DOOR (LM) INSTALLATION, P-HOOK	SGD5570V	SGD5570FPA-LM
	1070 TECHNOLOGY DRIVE N. VENICE, FL 34275 (941) 480-1600	VINYL SLIDING GLASS DOOR (LM)	06/12/11	JENS ROSOWSKI	6 OF 25	VINYL SLIDING GLASS DOOR (LM) INSTALLATION, P-HOOK	SGD5570V

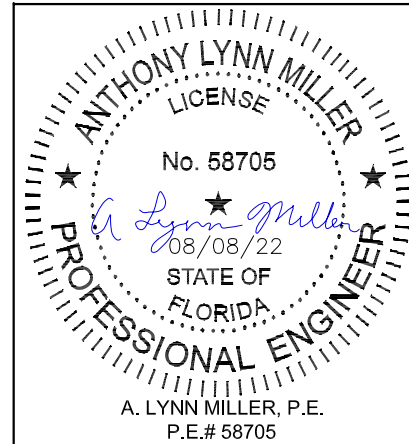


TABLE 1:

Design Pressure (DP) and Anchor Quantities Required, (for all approved configurations on Sheet 2)															
Use this table for: Glass Types 1, 3 or 5 Astragal Reinforcement #29 Lockstile Reinforcement #25 or #26 Std. Interlock Reinforcement #27			Door Unit Height												
			80"				84"				96"				
			68-15/16" DLO Height				72-15/16" DLO Height				84-15/16" DLO Height				
			Anchor Group				Anchor Group				Anchor Group				
			A	B	C	D	A	B	C	D	A	B	C	D	
Nominal Panel Width	24"	16-5/8" DLO Width	Design Pressure	+60 / -60 psf				+60 / -60 psf				+60 / -60 psf			
			Head/Sill	C3+1	C3+1	C3+1	C3+1	C3+1	C3+1	C3+1	C3+1	C3+1	C3+1	C3+1	C3+1
			Jamb	5	5	5	5	5	5	5	5	5	5	5	5
			P-hook	7	7	7	7	7	7	7	7	8	8	8	8
	30"	22-5/8" DLO Width	Design Pressure	+60 / -60 psf				+60 / -60 psf				+60 / -60 psf			
			Head/Sill	C3+1	C3+1	C3+1	C3+1	C3+1	C3+1	C3+1	C3+1	C3+1	C3+1	C3+1	C3+1
			Jamb	5	5	5	5	5	5	5	5	5	5	5	5
			P-hook	7	7	7	7	7	7	7	7	8	8	8	8
	36"	28-5/8" DLO Width	Design Pressure	+60 / -60 psf				+60 / -60 psf				+60 / -60 psf			
			Head/Sill	C3+1	C3+1	C3+1	C3+1	C3+1	C3+1	C3+1	C3+1	C3+1	C3+1	C3+1	C3+1
			Jamb	5	5	5	5	5	5	5	5	5	5	5	5
			P-hook	7	7	7	7	7	7	7	7	8	8	8	8
42"	34-5/8" DLO Width	Design Pressure	+60 / -60 psf				+60 / -60 psf				+60 / -60 psf				
		Head/Sill	C3+1	C3+1	C3+1	C3+1	C3+1	C3+1	C3+1	C3+1	C3+1	C3+1	C3+1	C3+1	
		Jamb	5	5	5	5	5	5	5	5	5	5	5	5	
		P-hook	7	7	7	7	7	7	7	7	8	8	8	8	
48"	40-5/8" DLO Width	Design Pressure	+60 / -60 psf				+60 / -60 psf				+60 / -60 psf				
		Head/Sill	C3+2	C3+1	C3+1	C3+1	C3+2	C3+1	C3+1	C3+1	C5+2	C3+1	C3+1	C3+1	
		Jamb	5	5	5	5	5	5	5	5	5	5	6	5	
		P-hook	7	7	7	7	7	7	7	7	8	8	8	8	

USED IN EXAMPLE ON SHEET 9

ANCHORAGE TYPE PER SUBSTRATE REQUIRED TO ACHIEVE THE DESIGN PRESSURE, USING THE ANCHOR QUANTITIES LISTED BELOW. SEE TABLE A, SHEET 1 FOR COMPLETE ANCHOR LIMITATIONS.

THE MAXIMUM DP AT THESE ANCHOR QUANTITIES. ADDITIONALLY, THE MAXIMUM POSITIVE DP DUE TO THE SILL HEIGHT MUST ALSO BE CONSIDERED, SEE TABLE B1, THIS SHEET.

OF ANCHORS THROUGH THE HEAD & SILL. (EX: FOR C3+1, 3 ANCHORS CLUSTERED AT PANEL MEETING POINT AND 1 ANCHOR REQUIRED AT MIDSPAN OF PANEL).

TOTAL # OF ANCHORS THROUGH THE JAMB.

THE # OF ANCHORS REQUIRED THROUGH THE P-HOOK, PERPENDICULAR TO THE GLASS.

CORRECT DLO WIDTH FORMULA. JR - 02/09/22

TABLE B1:

Water-Limited (+) Design Pressure		
Sill Riser	Nom. Sill Height	Max. (+) DP Allowed
None	1-11/16"	See Note 2
42	2-1/2"	+38.7 psf
43	3-1/2"	+60.0 psf
44	4-1/16"	+60.0 psf
45	4-5/8"	+60.0 psf

FIG 1:

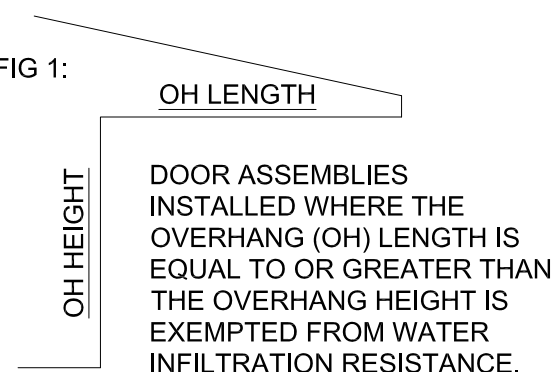
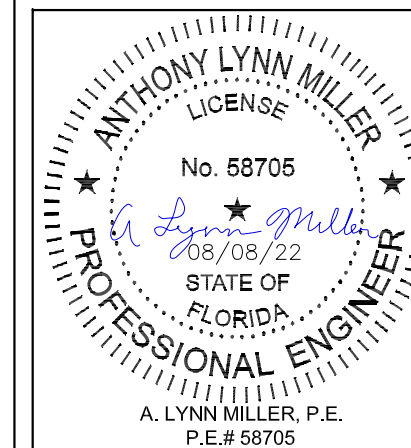


TABLE NOTES:

- IF WATER INFILTRATION RESISTANCE IS REQUIRED, THE LESSER VALUES OF EITHER TABLE 1 AND TABLE B1 DETERMINES THE WATER LIMITED (+) DP.
- IF WATER INFILTRATION RESISTANCE IS NOT REQUIRED OR OVERHANG IS PER FIG 1, A SILL RISER IS NOT REQUIRED; OTHERWISE, +DP'S SHOWN IN TABLE 1 MAY BE USED.
- SEE SILL RISER TYPES ON SHEET 4.
- SHEET APPLIES TO 2, 3 AND 4 TRACK CONFIGURATIONS.
- REFER TO ANCHOR NOTES, SHEET 1.
- SEE SHEETS 11-16 FOR ANCHOR LOCATION & SPACING

DLO WIDTH = NOMINAL PANEL WIDTH - 7-3/8"
 DLO WIDTH = ACTUAL PANEL WIDTH - 8-9/16"
 DLO HEIGHT = DOOR UNIT HEIGHT - 11-1/16"
 PANEL HEIGHT = DOOR UNIT HEIGHT - 2-1/2"

PREPARED BY A. LYNN MILLER 1070 TECHNOLOGY DRIVE N. VENICE, FL 34275 (941) 480-1600	REGISTRATION #29296 COPYRIGHT © 2022 PGT, INC., LIMITED LICENSE TO MAKE COPIES FOR PERMITTING.	Date 06/12/11	Drawn By JENS ROSOWSKI	DWG No. SGD5570FPA-LM
1070 TECHNOLOGY DRIVE N. VENICE, FL 34275 (941) 480-1600		VINYL SLIDING GLASS DOOR (LM)		
DP AND ANCHORAGE		7 OF 25		
Series SGD5570V	Desc. DP AND ANCHORAGE	Sheet 7 OF 25	Title SGD5570FPA-LM	



Rev. # 08/01/22
Date
UPDATED CERT. METHOD
C

Design Pressure (DP) and Anchor Quantities Required

Use this table for: Glass Types 2 or 4 Astragal Reinforcement #29 Lockstile Reinforcement #25 HD Interlock Reinforcement #28		Door Unit Height																					
		80"				84"				96"				108"				120"					
		68-15/16" DLO Height				72-15/16" DLO Height				84-15/16" DLO Height				96-15/16" DLO Height				108-15/16" DLO Height					
		Anchor Group				Anchor Group				Anchor Group				Anchor Group				Anchor Group					
		A	B	C	D	A	B	C	D	A	B	C	D	A	B	C	D	A	B	C	D		
Nominal Panel Width	24"	16-5/8" DLO Width	Design Pressure	+100 / -100 psf				+100 / -100 psf				+100 / -100 psf				+60 / -65 psf				+60 / -65 psf			
			Head/Sill	C3+1	C3+1	C3+1	C3+1	C3+1	C3+1	C3+1	C3+1	C5+1	C3+1	C3+1	C3+1	C3+1	C3+1	C3+1	C3+1	C3+1	C3+1	C3+1	C3+1
			Jamb	5	5	5	5	5	5	5	5	5	5	5	5	6	6	6	6	6	6	6	6
			P-hook	7	7	7	7	7	7	7	7	8	8	8	8	9	9	9	9	10	10	10	10
	30"	22-5/8" DLO Width	Design Pressure	+100 / -100 psf				+100 / -100 psf				+100 / -100 psf				+60 / -65 psf				+60 / -65 psf			
			Head/Sill	C5+1	C3+1	C3+1	C3+1	C5+1	C3+1	C3+1	C3+1	C5+1	C3+1	C5+1	C3+1	C3+1	C3+1	C3+1	C3+1	C5+1	C3+1	C3+1	C3+1
Jamb			5	5	5	5	5	5	6	5	5	5	7	5	6	6	6	6	6	6	6	6	
P-hook			7	7	7	7	7	7	7	7	8	8	8	8	9	9	9	9	10	10	10	10	
36"	28-5/8" DLO Width	Design Pressure	+100 / -100 psf				+100 / -100 psf				+100 / -100 psf				+60 / -65 psf				+60 / -65 psf				
		Head/Sill	C5+2	C3+1	C5+1	C3+1	C5+2	C3+1	C5+1	C3+1	C5+2	C5+1	C5+1	C3+1	C5+1	C3+1	C3+1	C3+1	C5+1	C3+1	C5+1	C3+1	
		Jamb	5	5	6	5	5	5	6	5	5	5	7	5	6	6	6	6	6	6	6	6	
		P-hook	7	7	7	7	7	7	7	7	8	8	8	8	9	9	9	9	10	10	10	10	
42"	34-5/8" DLO Width	Design Pressure	+100 / -100 psf				+100 / -100 psf				+100 / -100 psf				+60 / -65 psf				+60 / -65 psf				
		Head/Sill	C5+2	C3+2	C5+2	C3+1	C5+2	C5+2	C5+2	C3+1	C5+2	C5+2	C5+2	C3+1	C5+1	C3+1	C5+1	C3+1	C5+1	C5+1	C5+1	C3+1	
		Jamb	5	5	7	5	5	5	7	5	5	5	8	5	6	6	6	6	6	6	7	6	
		P-hook	7	7	7	7	7	7	7	7	8	8	8	8	9	9	9	9	10	10	10	10	
48"	40-5/8" DLO Width	Design Pressure	+100 / -100 psf				+100 / -100 psf				+92 / -92 psf *				+60 / -65 psf				+60 / -65 psf				
		Head/Sill	C5+2	C5+2	C5+2	C3+2	C5+2	C5+2	C5+2	C3+2	C5+2	C5+2	C5+2	C5+2	C5+2	C3+1	C5+2	C3+1	C5+2	C5+1	C5+2	C3+1	
		Jamb	5	5	7	5	5	5	8	5	5	5	9	5	6	6	7	6	6	6	8	6	
		P-hook	7	7	7	7	7	7	8	8	8	8	9	9	9	9	9	9	10	10	10	10	
54"	46-5/8" DLO Width	Design Pressure	+80 / -80 psf				+80 / -80 psf				+80 / -80 psf				+45 / -50 psf				+45 / -50 psf				
		Head/Sill	C5+2	C3+2	C5+2	C3+2	C5+2	C3+2	C5+2	C3+2	C5+2	C5+2	C5+2	C3+2	C5+2	C5+2	C5+2	C5+2	C5+2	C5+2	C5+2	C5+2	
		Jamb	5	5	6	5	5	5	7	5	5	5	8	5	6	6	6	6	6	6	7	6	
		P-hook	7	7	7	7	7	7	7	7	8	8	8	8	9	9	9	9	10	10	10	10	
60"	52-5/8" DLO Width	Design Pressure	+80 / -80 psf				+80 / -80 psf				+80 / -80 psf				+45 / -50 psf				+45 / -50 psf				
		Head/Sill	C5+3	C3+2	C5+3	C3+2	C5+3	C3+2	C5+3	C3+2	C5+3	C5+2	C5+3	C3+2	C5+2	C5+2	C5+2	C5+2	C5+2	C5+2	C5+2	C5+2	
		Jamb	5	5	6	5	5	5	7	5	5	5	8	5	6	6	6	6	6	6	7	6	
		P-hook	7	7	7	7	7	7	7	7	8	8	8	8	9	9	9	9	10	10	10	10	

* +/-100.0 PSF FOR ANCHOR GROUPS B, C & D.

ANCHORAGE TYPE PER SUBSTRATE REQUIRED TO ACHIEVE THE DESIGN PRESSURE, USING THE ANCHOR QUANTITIES LISTED BELOW. SEE TABLE A, SHEET 1 FOR COMPLETE ANCHOR LIMITATIONS.

THE MAXIMUM DP AT THESE ANCHOR QUANTITIES. ADDITIONALLY, THE MAXIMUM POSITIVE DP DUE TO THE SILL HEIGHT MUST ALSO BE CONSIDERED, SEE TABLE B1, THIS SHEET.

OF ANCHORS THROUGH THE HEAD & SILL. (EX: FOR C3+1, 3 ANCHORS CLUSTERED AT PANEL MEETING POINT AND 1 ANCHOR REQUIRED AT MIDSPAN OF PANEL).

TOTAL # OF ANCHORS THROUGH THE JAMB.

THE # OF ANCHORS REQUIRED THROUGH THE P-HOOK, PERPENDICULAR TO THE GLASS.

CORRECT DLO WIDTH FORMULA. JR - 02/09/22

FIG 1:

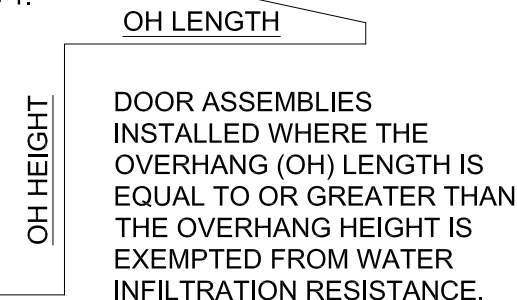


TABLE B2:

Water-Limited (+) Design Pressure		
Sill Riser	Nom. Sill Height	Max. (+) DP Allowed
None	1-11/16"	See Note 2
42	2-1/2"	+38.7 psf
43	3-1/2"	+60.0 psf
44	4-1/16"	+80.0 psf
45	4-5/8"	+100.0 psf

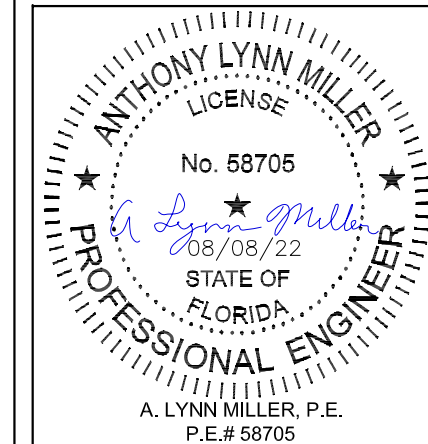
TABLE NOTES:

- IF WATER INFILTRATION RESISTANCE IS REQUIRED, THE LESSER VALUES OF EITHER TABLE 1 AND TABLE B1 DETERMINES THE WATER LIMITED (+) DP.
- IF WATER INFILTRATION RESISTANCE IS NOT REQUIRED OR OVERHANG IS PER FIG 1, A SILL RISER IS NOT REQUIRED; OTHERWISE, +DP'S SHOWN IN TABLE 1 MAY BE USED.
- SEE SILL RISER TYPES ON SHEET 4.
- SHEET APPLIES TO 2, 3 AND 4 TRACK CONFIGURATIONS.
- REFER TO ANCHOR NOTES, SHEET 1.
- SEE SHEETS 11-16 FOR ANCHOR LOCATION & SPACING

DLO WIDTH = NOMINAL PANEL WIDTH - 7-3/8"
DLO WIDTH = ACTUAL PANEL WIDTH - 8-9/16"
DLO HEIGHT = DOOR UNIT HEIGHT - 11-1/16"
PANEL HEIGHT = DOOR UNIT HEIGHT - 2-1/2"

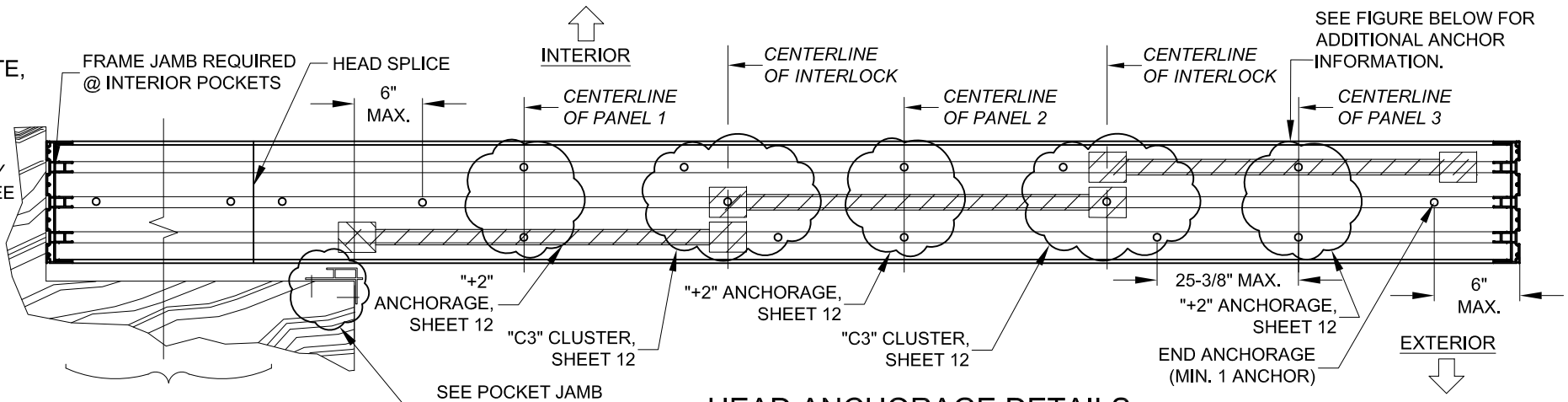
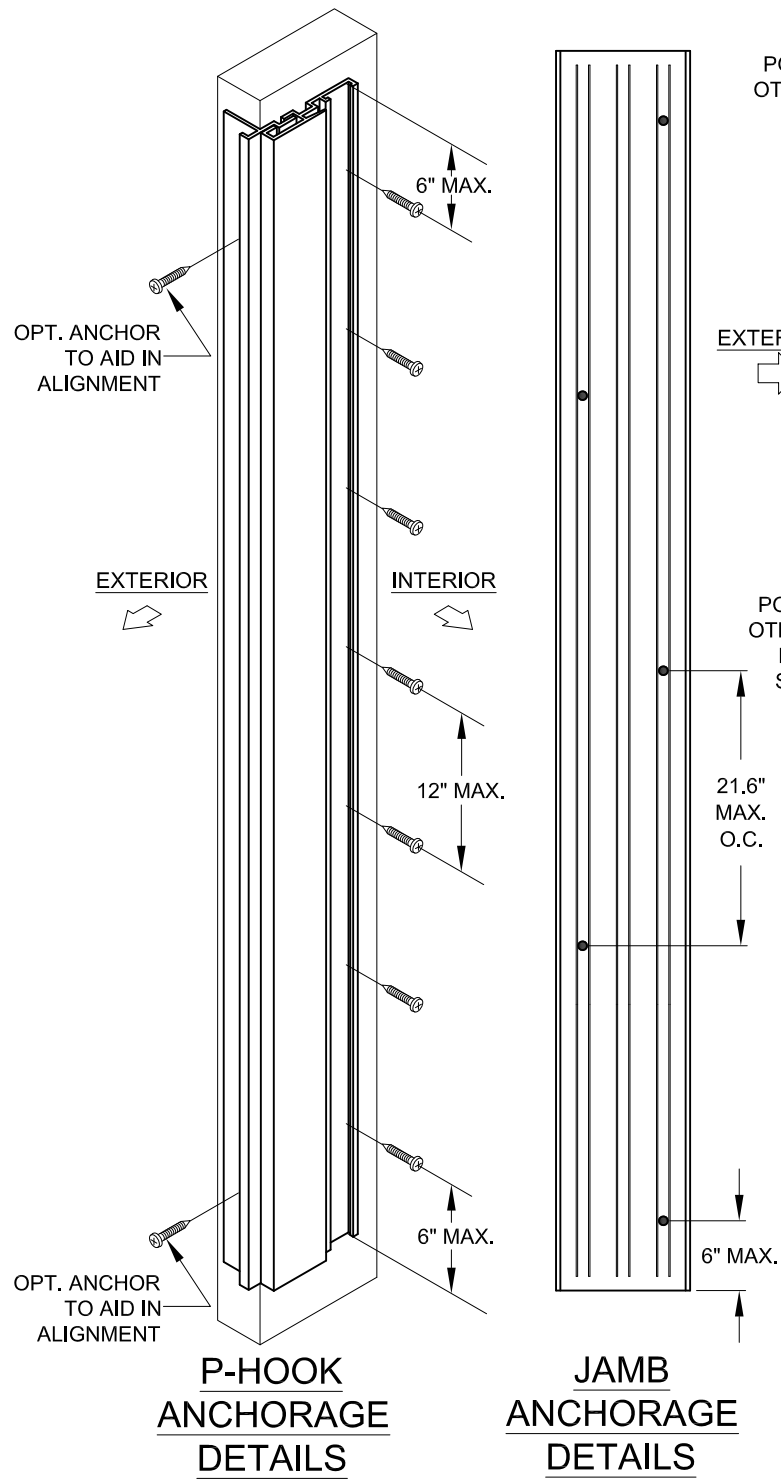
Rev. # 08/01/22
Date
Updated Cert. Method
C

PREPARED BY A. LYNN MILLER 1070 TECHNOLOGY DRIVE N. VENICE, FL 34275 (941) 480-1600	REGISTRATION #29296 COPYRIGHT © 2022 PGT, INC., LIMITED LICENSE TO MAKE COPIES FOR PERMITTING.	Date 06/12/11	Drawn By JENS ROSOWSKI	DWG No. 8 OF 25	Sheet SGD5570V	Series SGD5570FPA-LM
	1070 TECHNOLOGY DRIVE N. VENICE, FL 34275 (941) 480-1600		VINYL SLIDING GLASS DOOR (LM)		DP AND ANCHORAGE	

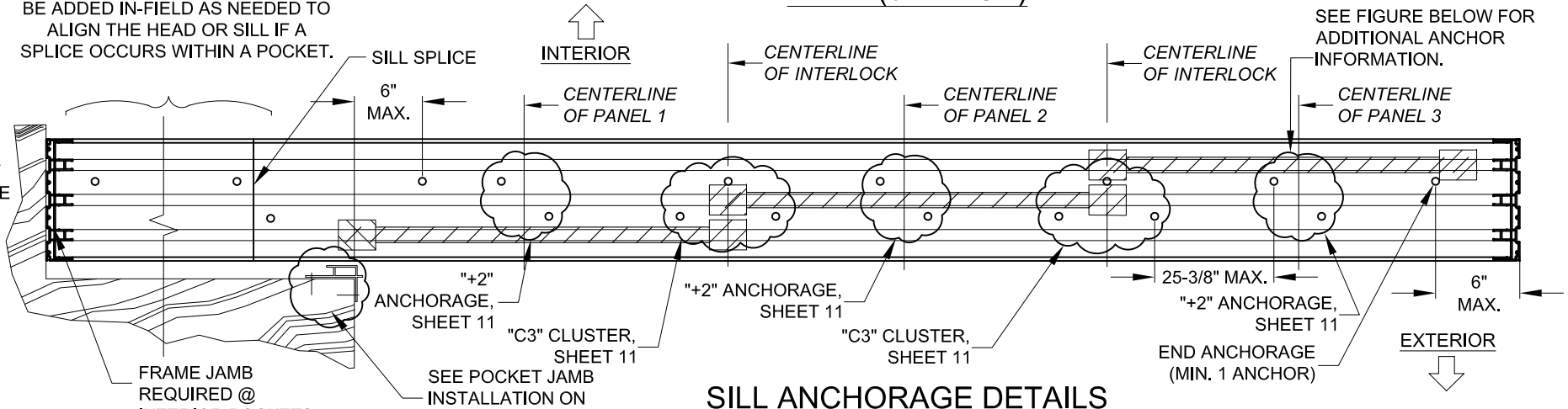


EXAMPLE:

3-PANEL, 3 TRACK, STRAIGHT CONFIGURATION - PXXX,
 INTERIOR MOUNT POCKET, 48" X 84" NOM. PANELS,
 LAMINATED, IG GLAZING, ANCHOR GROUP A IN WOOD SUBSTRATE,
 PROJECT DESIGN PRESSURE REQUIRED: +48.2/-58.6 PSF



**HEAD ANCHORAGE DETAILS
 PXXX (3-TRACK)**



**SILL ANCHORAGE DETAILS
 PXXX (3-TRACK)**

1) KNOWING THE PRODUCT'S REQUIREMENTS, SCAN THROUGH TABLES 1 & 2 FOR A DESIGN PRESSURE THAT MEETS OR EXCEEDS THE REQUIREMENT OF +48.2/-58.6 AT A NOM. PANEL SIZE OF 48" X 84". FROM TABLE 1, SHEET 7, THE DESIGN PRESSURE IS +60/-60 WHICH EXCEEDS THE PROJECT DESIGN PRESSURE REQUIREMENTS.

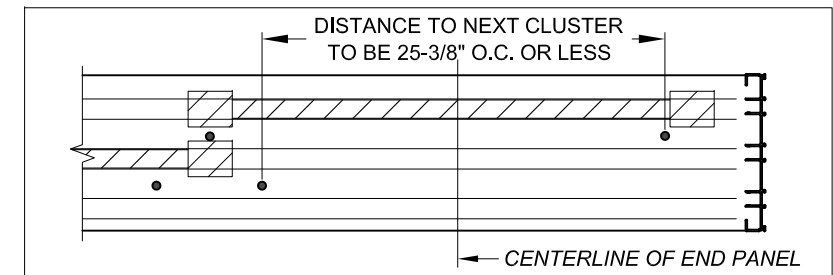
FOR WOOD INSTALLATION USING ANY ANCHOR IN GROUP A (SEE TABLE A), TABLE 1 SHOWS ANCHOR REQUIREMENTS OF _____

Head/Sill Jamb	C3+2
P-hook	5
	7

2) ANCHOR LOCATION DETAILS, CAN BE FOUND ON:
 HEAD (CLUSTER ANCHORS): SHEET 12 FOR THE "C3" CLUSTER ANCHORS AT THE INTERLOCK/ASTRAGAL.
 HEAD (INTERMEDIATE ANCHORS): SHEET 12 FOR THE "+2 ANCHORS AT THE MIDSPAN OF EACH PANEL.
 SILL (CLUSTER ANCHORS): SHEET 11 FOR THE "C3" CLUSTER ANCHORS AT THE INTERLOCK/ASTRAGAL.
 SILL (INTERMEDIATE ANCHORS): SHEET 11 FOR THE "+2 ANCHORS AT THE MIDSPAN OF EACH PANEL.
 JAMB: 5 ANCHORS, SHEET 13 FOR GEN. LAYOUT.
 P-HOOK: 7 ANCHORS, SHEET 13 FOR GENERAL LAYOUT.

3) INSTALLATION DETAILS INTO WOOD CAN BE FOUND ON:
 HEAD & SILL: SHEET 4
 JAMB: SHEET 3
 P-HOOK: SHEET 6

END PANEL ANCHOR EXCEPTION:



FOR SILL (SHOWN) AND HEAD, ANCHORS AT THE MIDPOINT OF END PANELS ARE ONLY REQUIRED IF THE O.C. DISTANCE TO THE NEXT ANCHOR CLUSTER IS OVER 25-3/8", OTHERWISE ANCHORS ARE NOT REQUIRED AS PER THE FIGURE ABOVE:

- FOR PRODUCT REFERENCES, ALSO SEE:
- A) SHEET 2 FOR ALLOWABLE CONFIGURATIONS AND EXACT LOCATIONS OF CROSS-SECTION DRAWINGS.
 - B) SHEET 10 FOR SPECIFIC GLAZING TYPES.
 - C) SHEET 17 FOR ALLOWABLE PANEL TYPES AND CALL NAMES.
 - D) SHEETS 4 & 18 FOR EXTRUSION CROSS-SECTION DRAWINGS.
 - E) SHEET 19 FOR INSTALLATION OF ADDITIONAL ACCESSORIES.
 - F) SHEET 21 FOR A BILL OF MATERIALS.

PREPARED BY A. LYNN MILLER
 1070 TECHNOLOGY DRIVE
 N. VENICE, FL 34275
 (941) 480-1600

REGISTRATION #29296
 COPYRIGHT © 2022 PGT, INC., LIMITED LICENSE
 TO MAKE COPIES FOR PERMITTING.

1070 TECHNOLOGY DRIVE
 N. VENICE, FL 34275
 (941) 480-1600

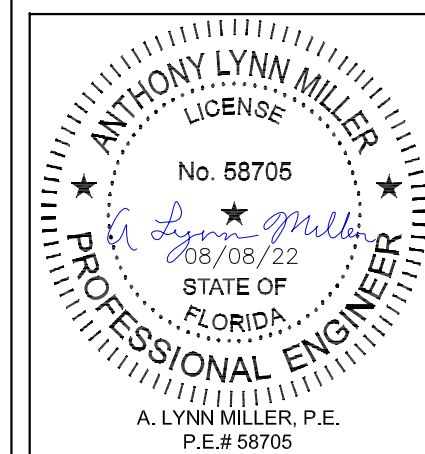
VINYL SLIDING GLASS DOOR (LM)

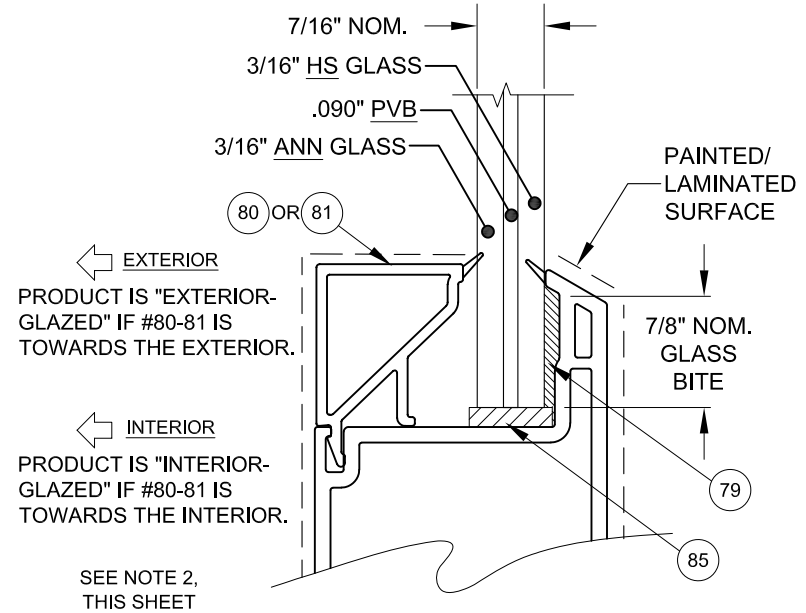
ANCHOR SPACING & EXAMPLE

SGD5570V 9 OF 25 SGD5570FPA-LM

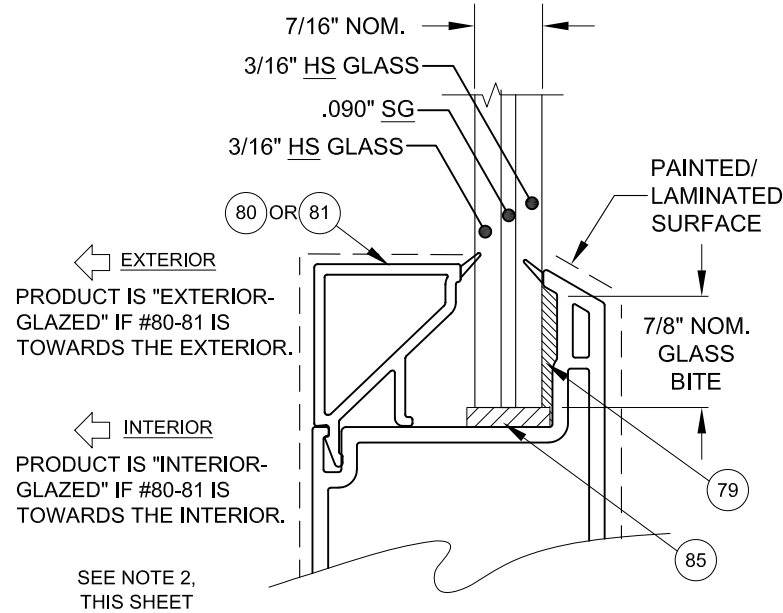
By: JENS ROSOWSKI
 Date: 06/12/11

Series: Title
 Desc. Sheet DWG No.

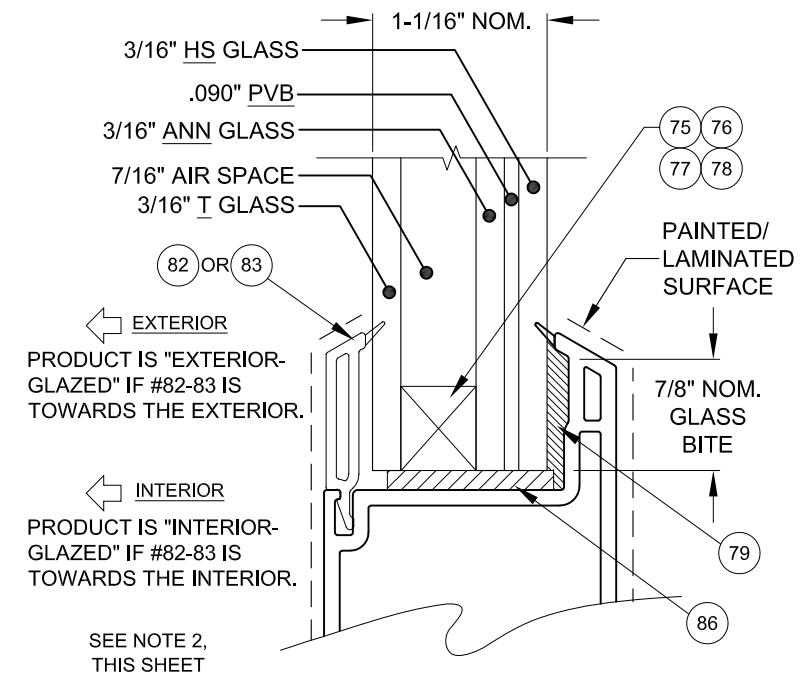




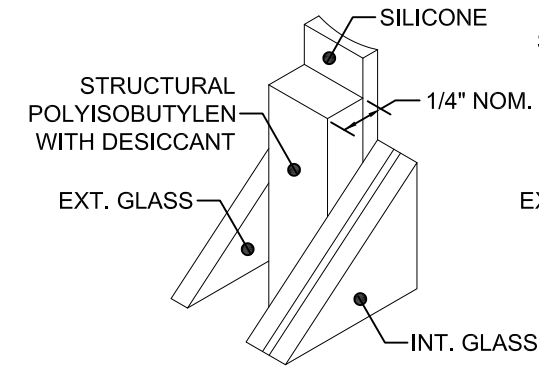
GLASS TYPE 1



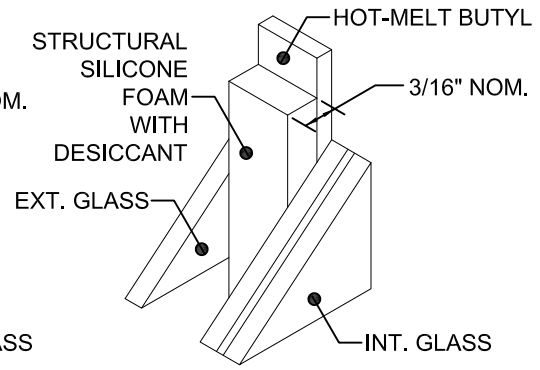
GLASS TYPE 2



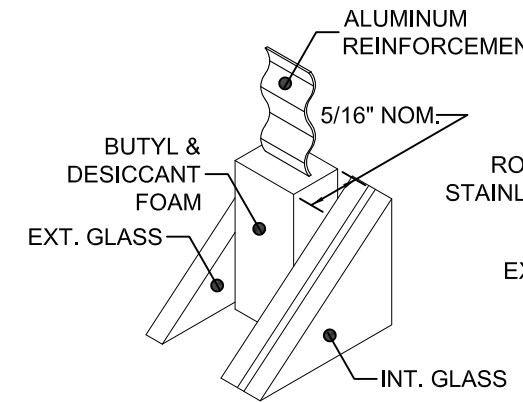
GLASS TYPE 3



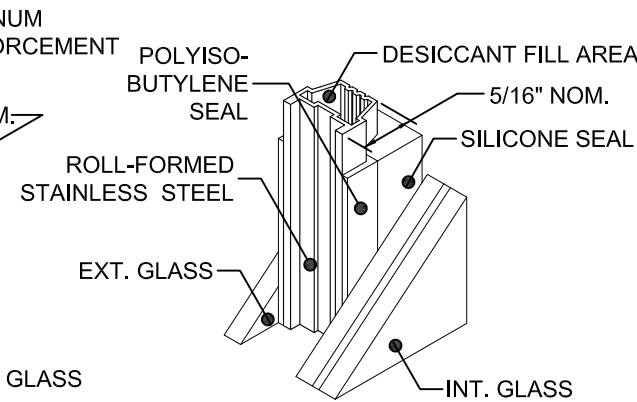
75 KODISPACE 4SG TPS



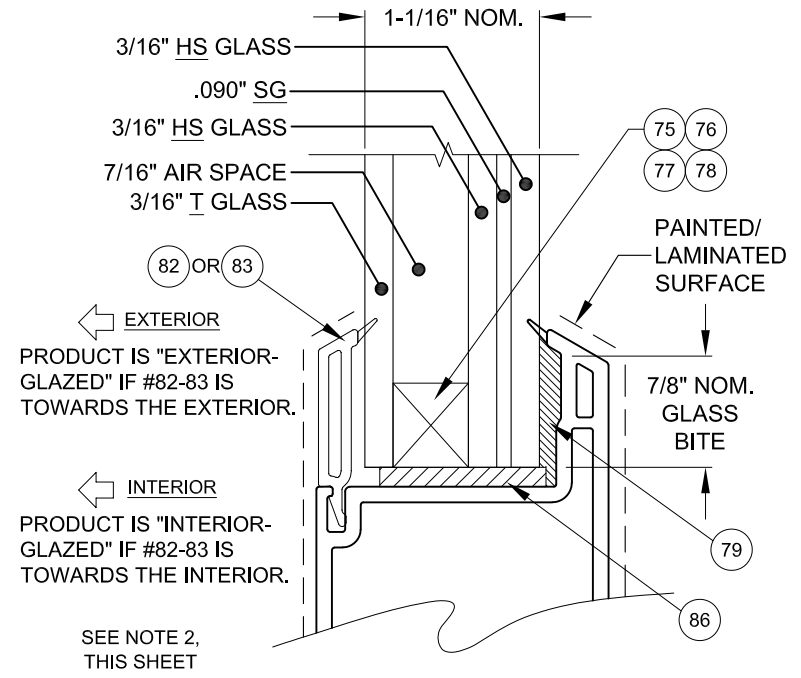
76 SUPER SPACER[®] NXT[™]



77 DURASEAL[®] SPACER



78 XL EDGE[™] SPACER

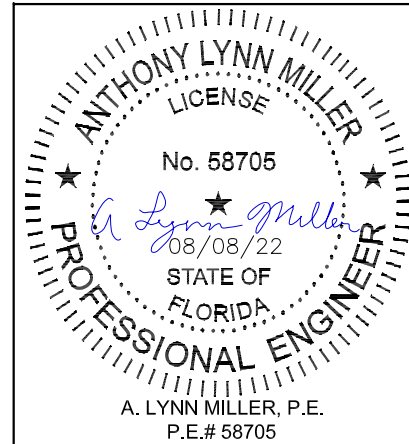


GLASS TYPE 4

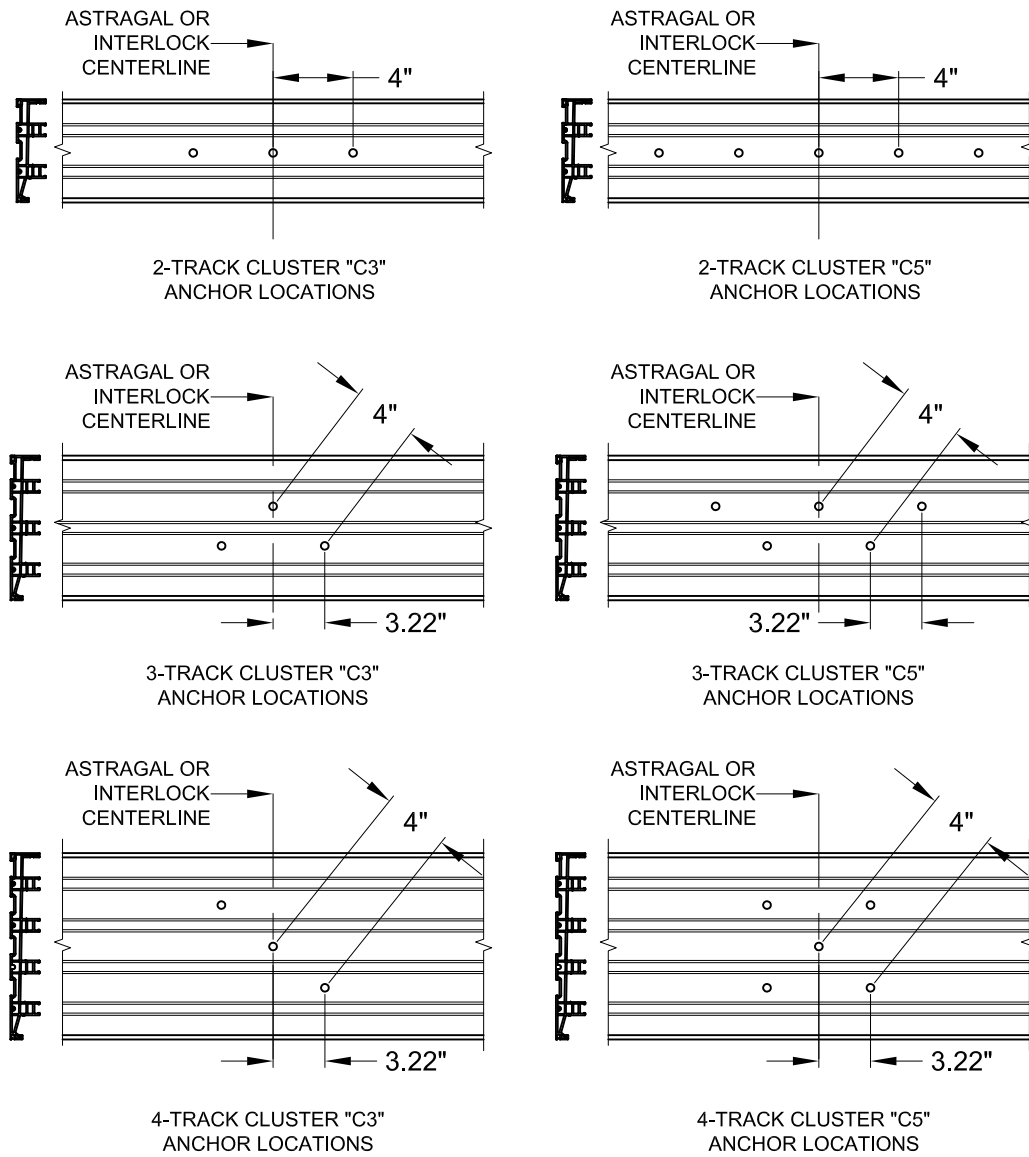
NOTES:
1) BACKBEDDING SURFACES SHALL NOT BE PAINTED OR LAMINATED.
2) PRODUCT MAY BE EITHER INTERIOR OR EXTERIOR GLAZED, PROVIDED THAT THE "HS" SURFACE OF A LAMINATED GLAZING UNIT IS ADHERED TO THE GLAZING LEG.

"ANN" = ANNEALED
"HS" = HEAT STRENGTHENED
"T" = TEMPERED
"PVB" = .090" BUTACITE[®] PVB INTERLAYER BY KURARAY AMERICA, INC.
"SG" = .090" SENTRYGLAS[®] INTERLAYER BY KURARAY AMERICA, INC.

PREPARED BY A. LYNN MILLER 1070 TECHNOLOGY DRIVE N. VENICE, FL 34275 (941) 480-1600	REGISTRATION #29296 COPYRIGHT © 2022 PGT, INC., LIMITED LICENSE TO MAKE COPIES FOR PERMITTING.	Date 06/12/11	Drawn By JENS ROSOWSKI	No. DWG 10 OF 25	Series SGD5570V
	VINYL SLIDING GLASS DOOR (LM)	Title			

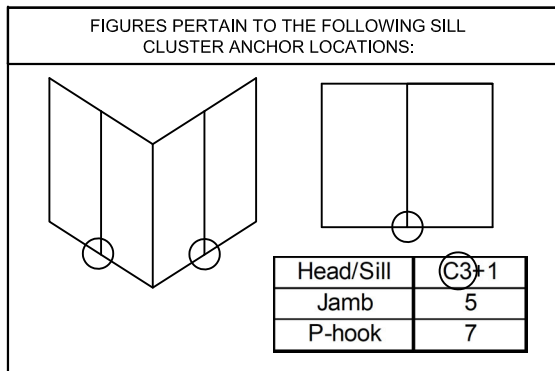
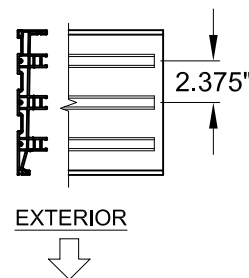


SILL CLUSTER ANCHORS LAYOUT:

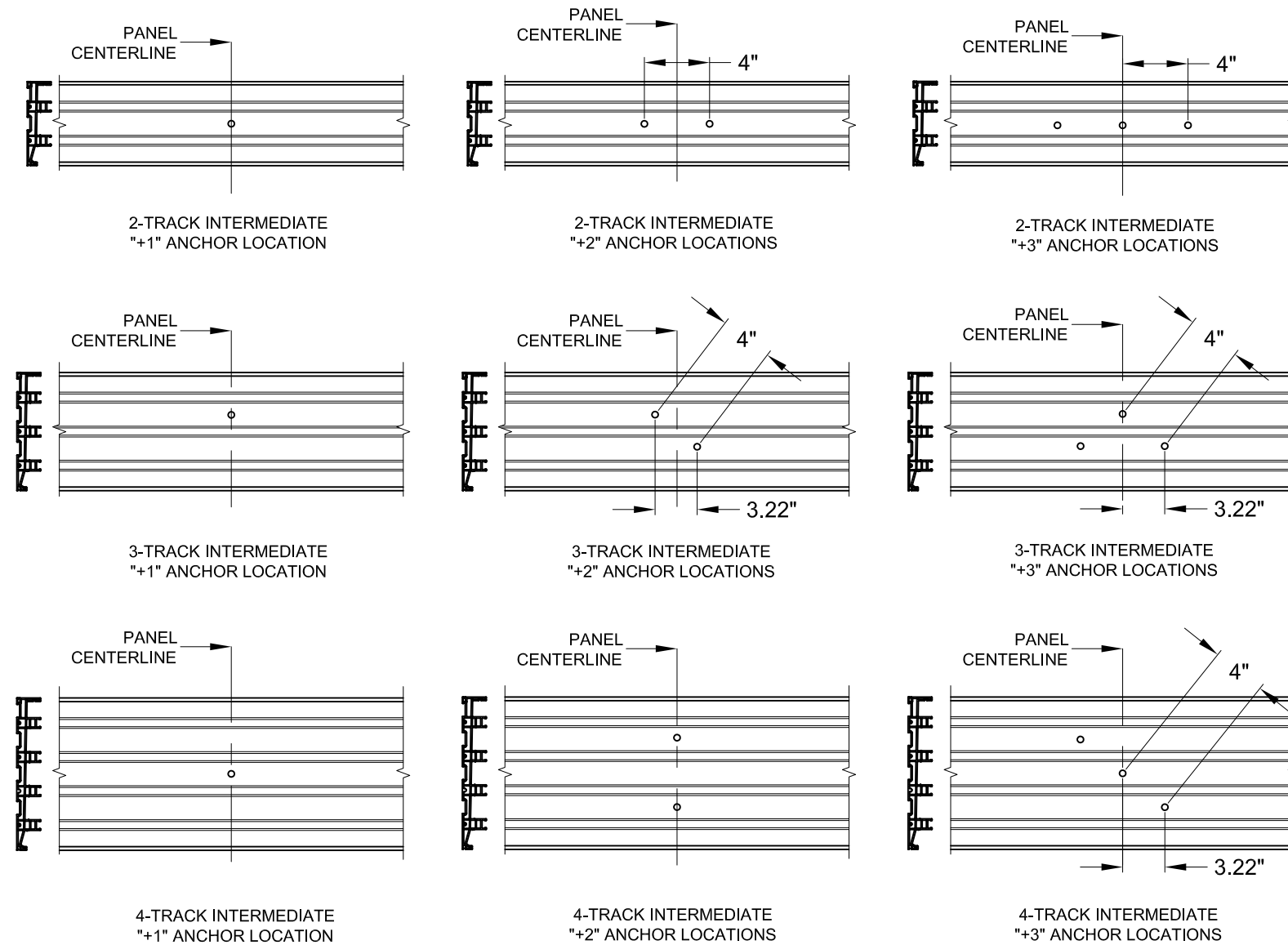


NOTES:

- 1) ALL DIMENSIONS SHOWN ARE BASED ON MINIMUM ALLOWED.
- 2) TRACK-TO-TRACK DISTANCE IS 2.375" FOR ALL SILLS:

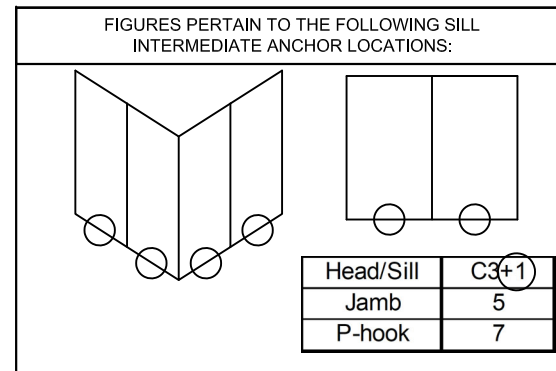
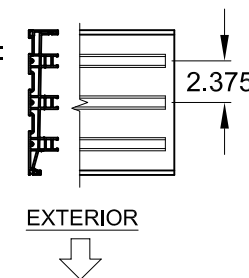


SILL "+" INTERMEDIATE ANCHORS LAYOUT:



NOTES:

- 1) ALL DIMENSIONS SHOWN ARE BASED ON MINIMUM ALLOWED.
- 2) TRACK-TO-TRACK DISTANCE IS 2.375" FOR ALL SILLS:



Rev. # 08/01/22 Date 08/01/22 Updated Cert. Method C

PREPARED BY A. LYNN MILLER
1070 TECHNOLOGY DRIVE
N. VENICE, FL 34275
(941) 480-1600

REGISTRATION #29296
COPYRIGHT © 2022 PGT, INC., LIMITED LICENSE
TO MAKE COPIES FOR PERMITTING.

1070 TECHNOLOGY DRIVE
N. VENICE, FL 34275
(941) 480-1600

VINYL SLIDING GLASS DOOR (LM)
ANCHOR LOCATIONS A

JENS ROSOWSKI
By

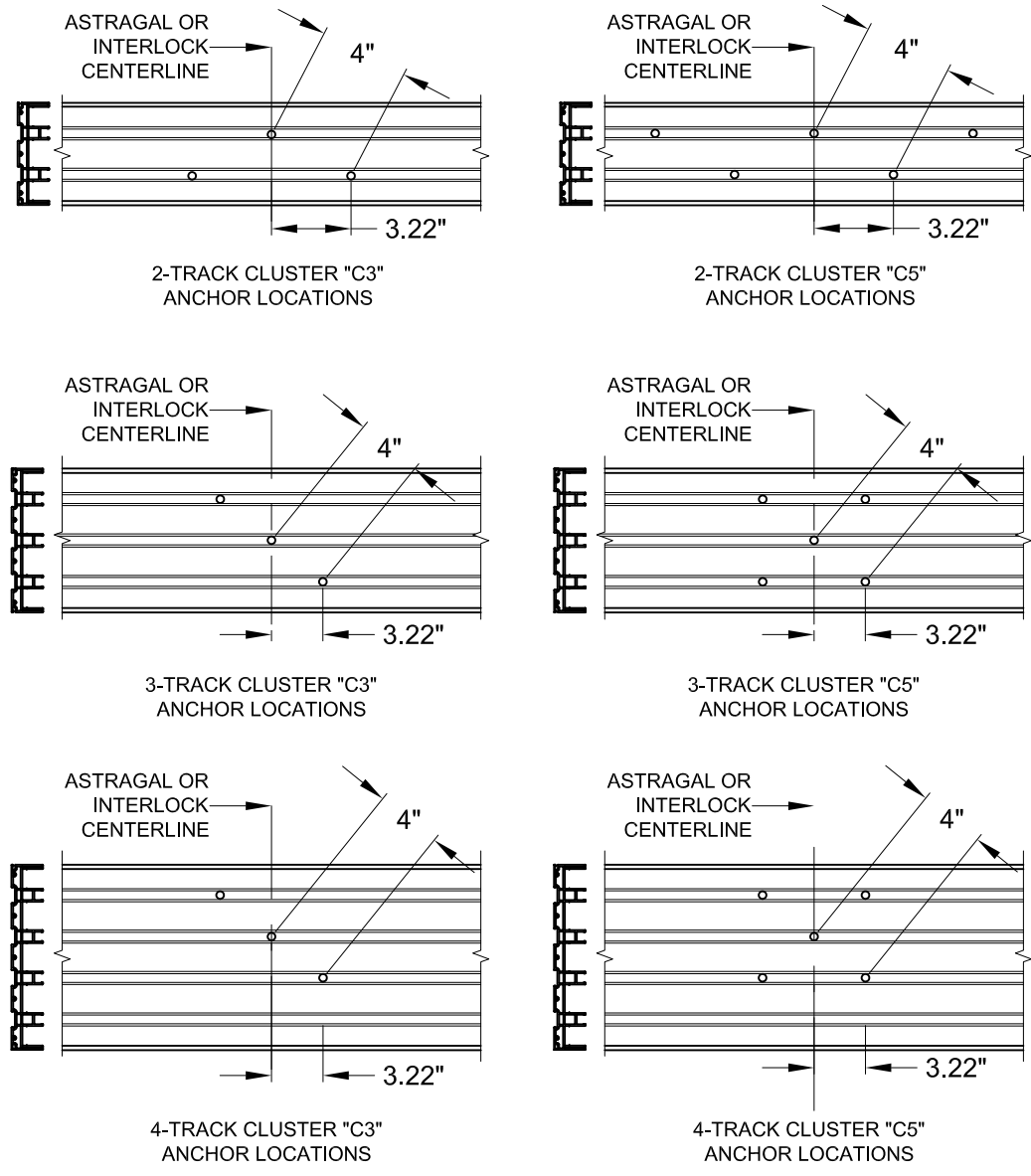
SGD5570V 11 OF 25 SGD5570FPA-LM

06/12/11
Date

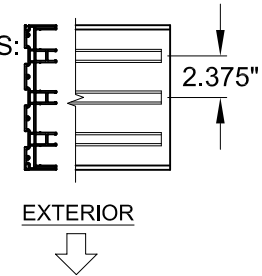
06/12/11
Date

ANTHONY LYNN MILLER
LICENSE
No. 58705
08/08/22
STATE OF FLORIDA
PROFESSIONAL ENGINEER
A. LYNN MILLER, P.E.
P.E.# 58705

HEAD CLUSTER ANCHORS LAYOUT:



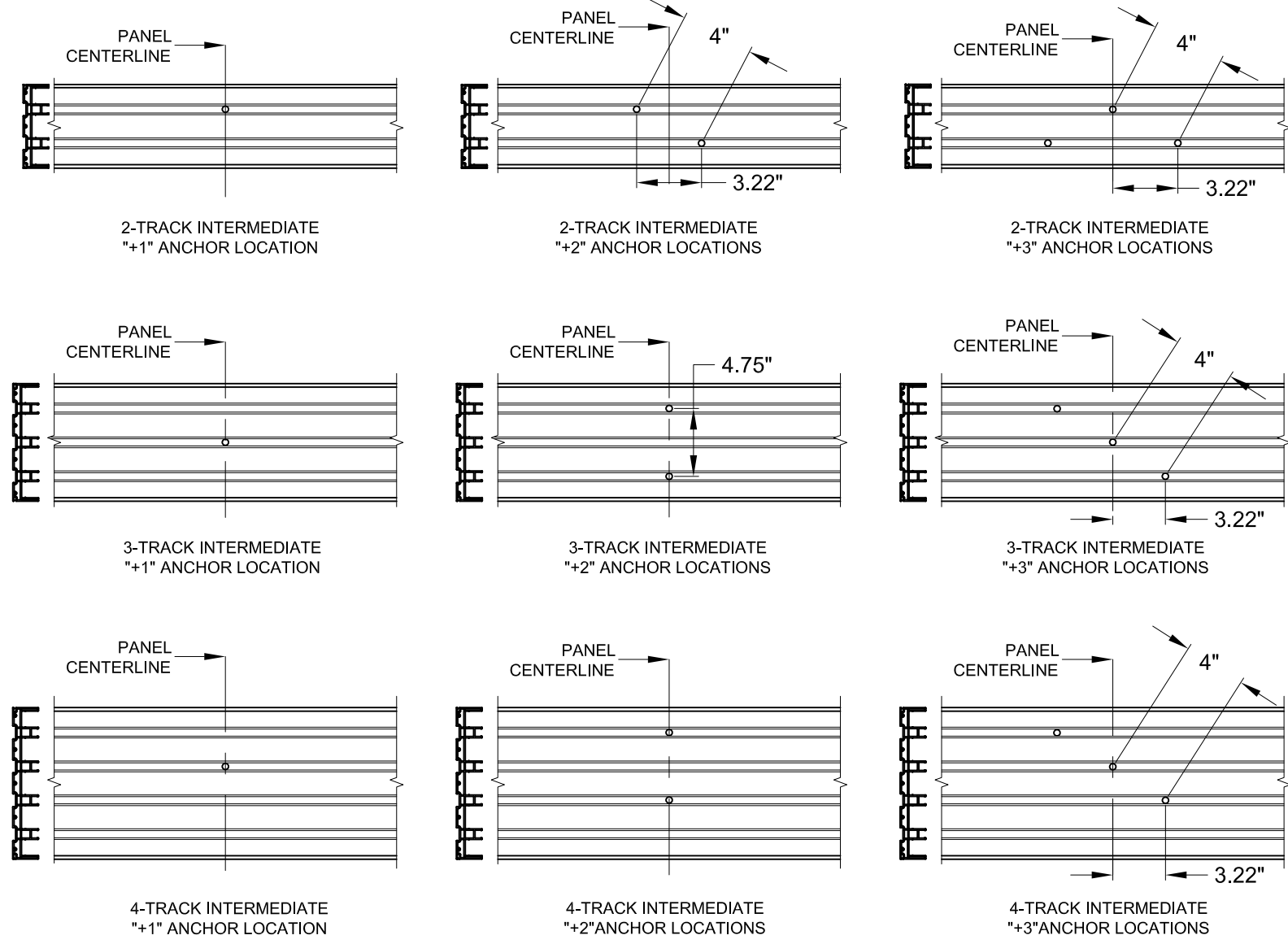
- NOTES:
- 1) ALL DIMENSIONS SHOWN ARE BASED ON MINIMUM ALLOWED.
 - 2) TRACK-TO-TRACK DISTANCE IS 2.375" FOR ALL HEADS:



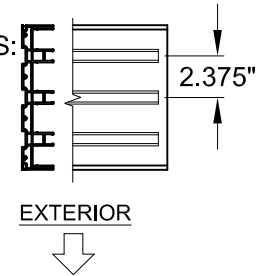
FIGURES PERTAIN TO THE FOLLOWING HEAD CLUSTER ANCHOR LOCATIONS:

Head/Sill	(C3)+1
Jamb	5
P-hook	7

HEAD "+" INTERMEDIATE ANCHORS LAYOUT:



- NOTES:
- 1) ALL DIMENSIONS SHOWN ARE BASED ON MINIMUM ALLOWED.
 - 2) TRACK-TO-TRACK DISTANCE IS 2.375" FOR ALL HEADS:



FIGURES PERTAIN TO THE FOLLOWING HEAD INTERMEDIATE ANCHOR LOCATIONS:

Head/Sill	C3+1
Jamb	5
P-hook	7

Rev. # 08/01/22 Date 08/08/22 Updated Cert. Method C

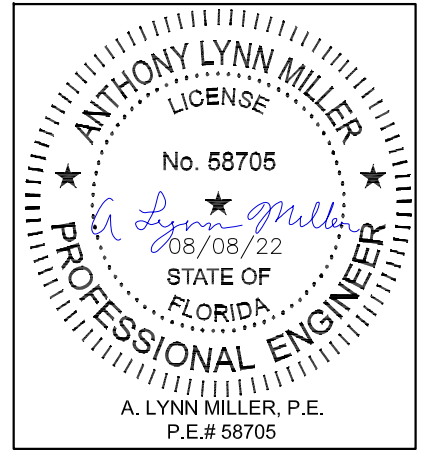
PREPARED BY A. LYNN MILLER
1070 TECHNOLOGY DRIVE
N. VENICE, FL 34275
(941) 480-1600

REGISTRATION #29296
COPYRIGHT © 2022 PGT, INC., LIMITED LICENSE
TO MAKE COPIES FOR PERMITTING.

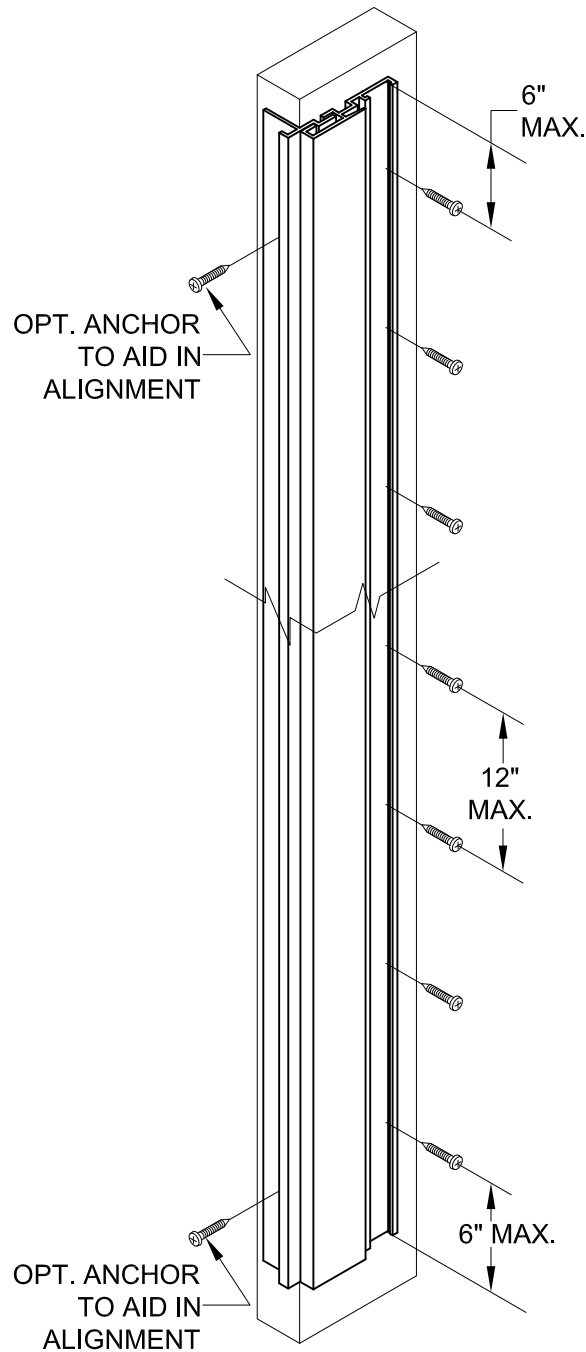
VINYL SLIDING GLASS DOOR (LM)
ANCHOR LOCATIONS B

JENS ROSOWSKI
Date 06/12/11
By JENS ROSOWSKI

SGD5570V 12 OF 25 SGD5570FPA-LM

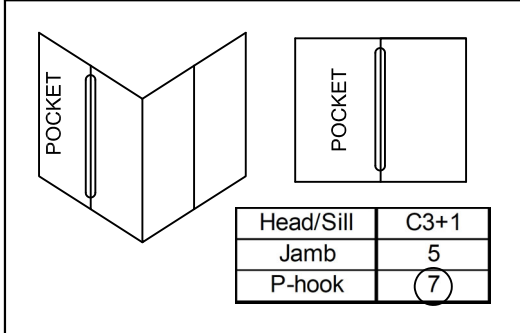


P-HOOK ANCHORS LAYOUT:

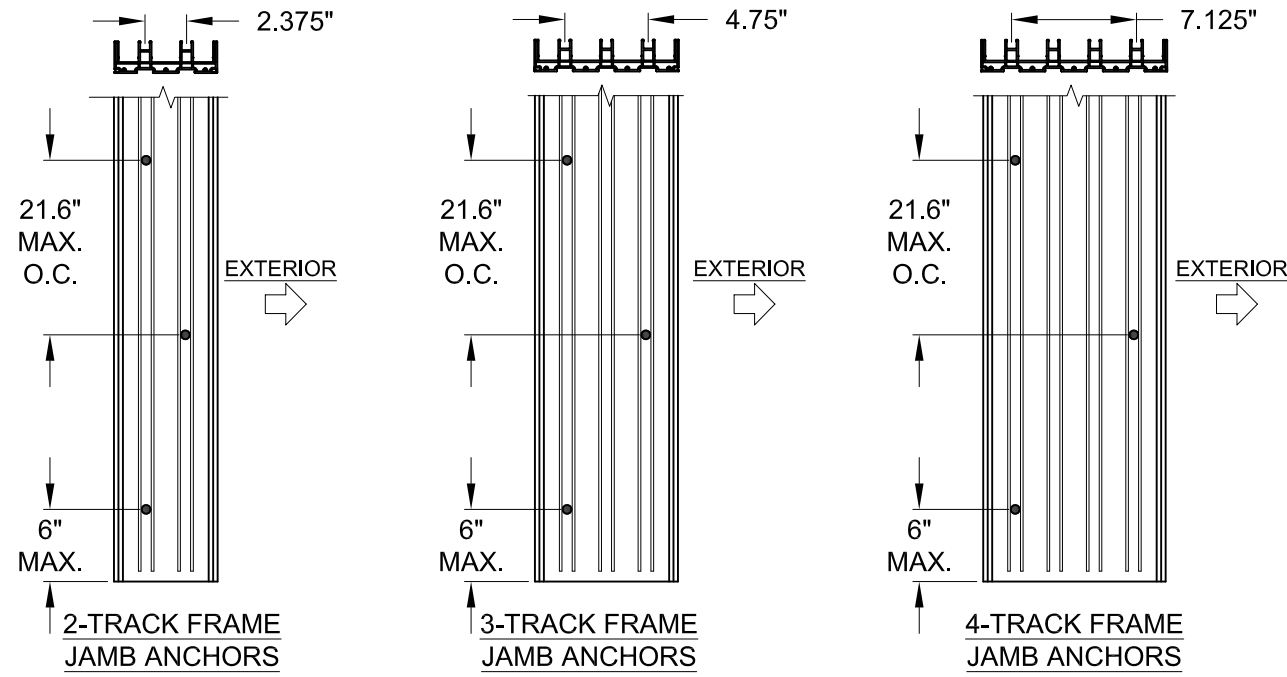


NOTES:
 1) SEE TABLES 1 & 2 FOR EXACT QUANTITY OF ANCHORS REQUIRED IN THE P-HOOK.

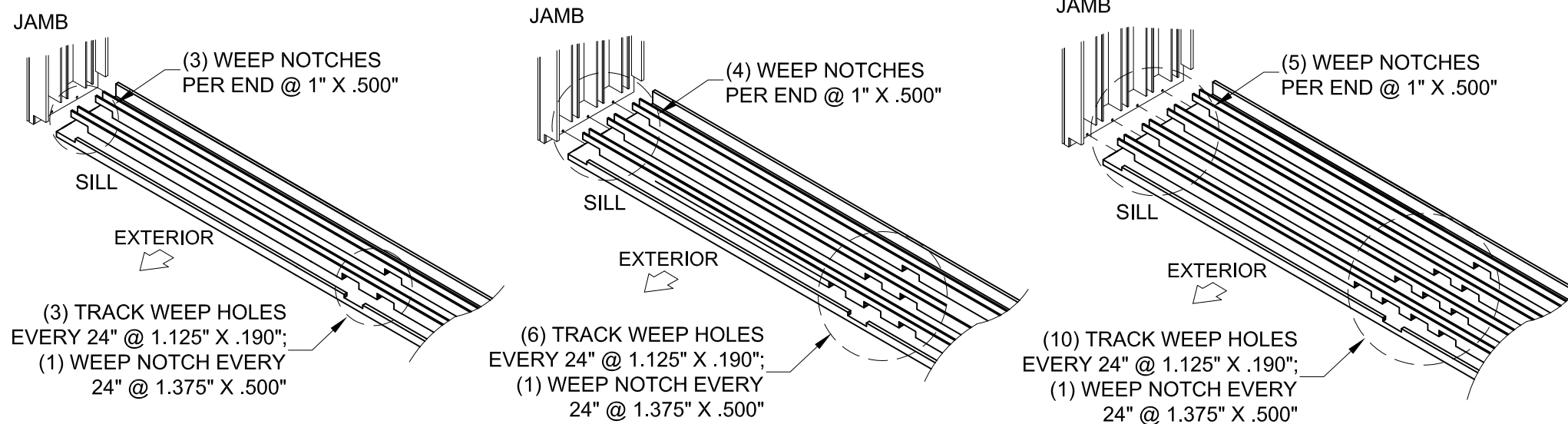
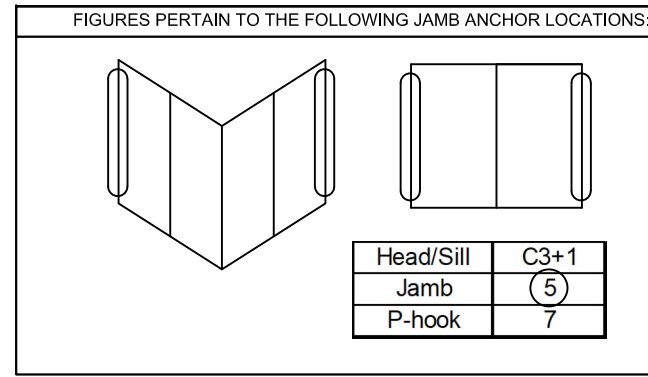
FIGURES PERTAIN TO THE FOLLOWING POCKET JAMB (P-HOOK) ANCHOR LOCATIONS:



JAMB ANCHORS LAYOUT, (PARTIAL VIEW):



NOTE:
 1) STANDARD ANCHOR LOCATIONS SHOWN. FOR 3 AND 4-TRACK JAMBS, ANCHORS MAY BE LOCATED IN ADJACENT TRACKS (SIMILAR TO THE 2-TRACK JAMB) AS REQUIRED TO MEET MIN. EDGE DISTANCE CONSTRAINTS.



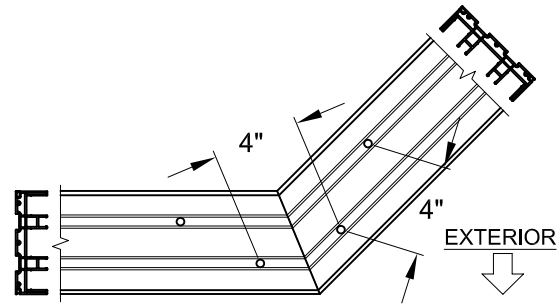
SILL WEEPHOLE LAYOUT (2, 3 & 4 TRACKS)

PREPARED BY A. LYNN MILLER 1070 TECHNOLOGY DRIVE N. VENICE, FL 34275 (941) 480-1600	REGISTRATION #29296 COPYRIGHT © 2022 PGT, INC., LIMITED LICENSE TO MAKE COPIES FOR PERMITTING.	Date: 06/12/11	Drawn By: JENS ROSOWSKI Title: ANCHOR LOCATIONS C	No. DWG: 13 OF 25 Sheet: 13 OF 25	Series: SGD5570V Desc. Title: VINYL SLIDING GLASS DOOR (LM) No. SGD5570FPA-LM
	1070 TECHNOLOGY DRIVE N. VENICE, FL 34275 (941) 480-1600	Date: 06/12/11			

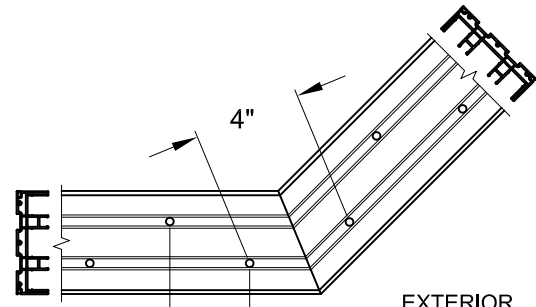
ANTHONY LYNN MILLER
 LICENSE
 No. 58705
 08/08/22
 STATE OF FLORIDA
 PROFESSIONAL ENGINEER
 A. LYNN MILLER, P.E.
 P.E.# 58705

Rev. # 08/01/22
 Date
 Updated Cert. Method
 Rev.

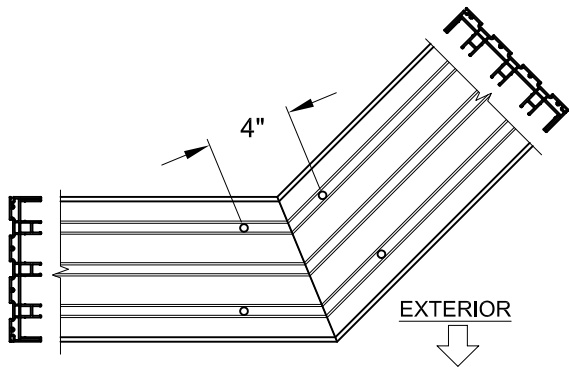
HEAD 135° CORNER CLUSTER ANCHORS LAYOUT:



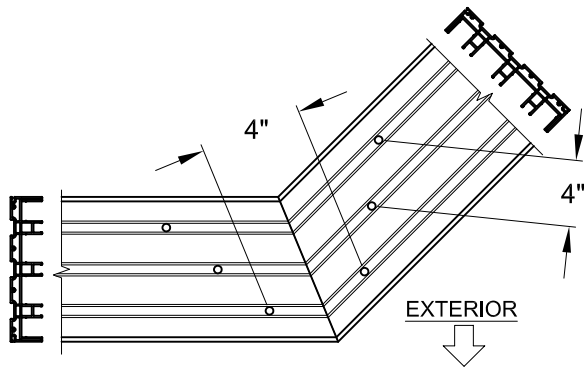
2-TRACK 135° CORNER
"C4" ANCHOR LOCATIONS
(USE WHERE "C3" IS SPECIFIED)



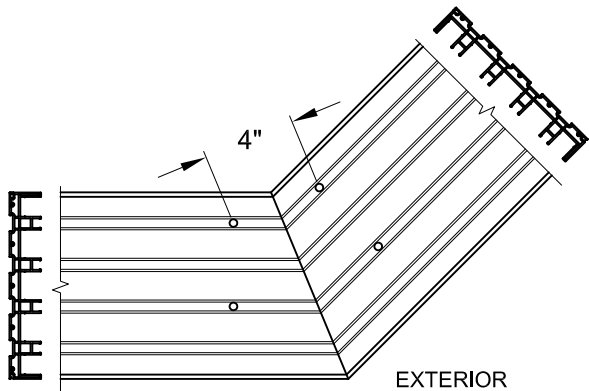
2-TRACK 135° CORNER
"C6" ANCHOR LOCATIONS
(USE WHERE "C5" IS SPECIFIED)



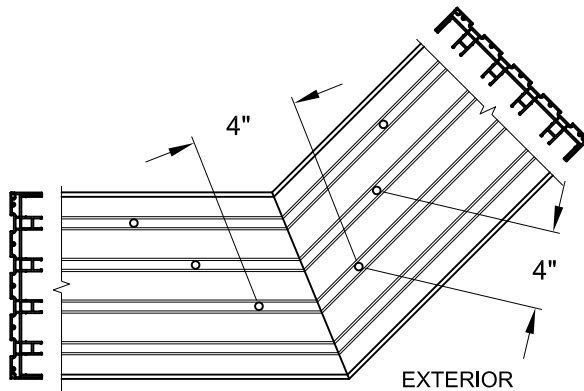
3-TRACK 135° CORNER
"C4" ANCHOR LOCATIONS
(USE WHERE "C3" IS SPECIFIED)



3-TRACK 135° CORNER
"C6" ANCHOR LOCATIONS
(USE WHERE "C5" IS SPECIFIED)

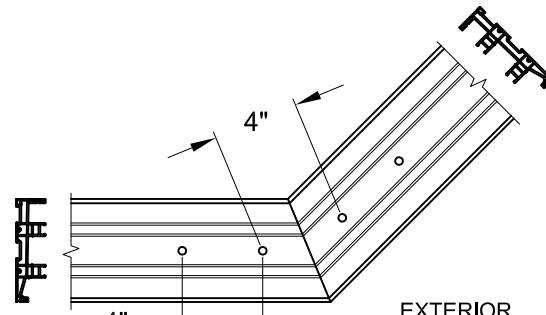


4-TRACK 135° CORNER
"C4" ANCHOR LOCATIONS
(USE WHERE "C3" IS SPECIFIED)

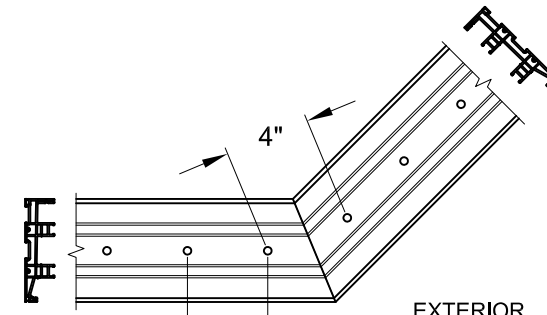


4-TRACK 135° CORNER
"C6" ANCHOR LOCATIONS
(USE WHERE "C5" IS SPECIFIED)

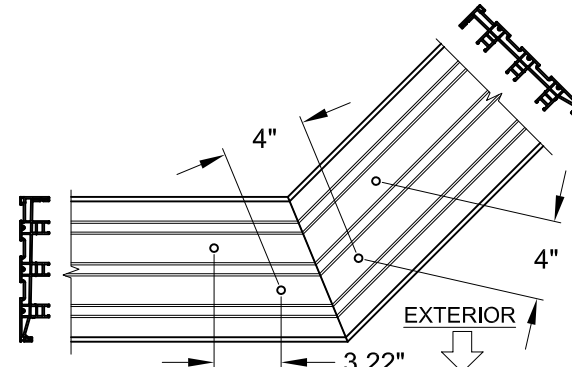
SILL 135° CORNER CLUSTER ANCHORS LAYOUT:



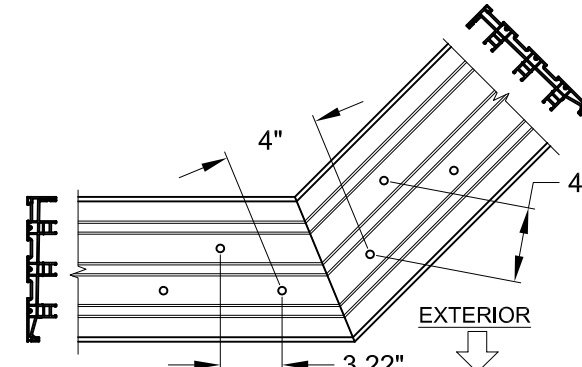
2-TRACK 135° CORNER
"C4" ANCHOR LOCATIONS
(USE WHERE "C3" IS SPECIFIED)



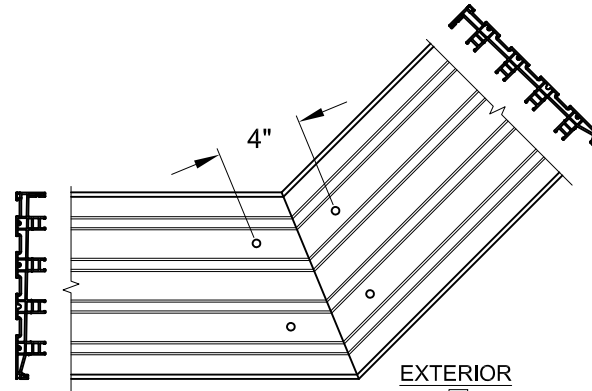
2-TRACK 135° CORNER
"C6" ANCHOR LOCATIONS
(USE WHERE "C5" IS SPECIFIED)



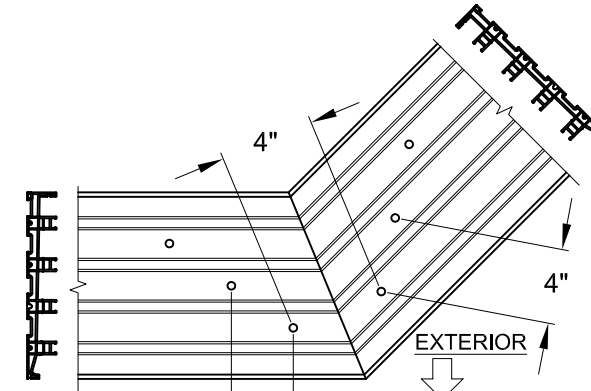
3-TRACK 135° CORNER
"C4" ANCHOR LOCATIONS
(USE WHERE "C3" IS SPECIFIED)



3-TRACK 135° CORNER
"C6" ANCHOR LOCATIONS
(USE WHERE "C5" IS SPECIFIED)

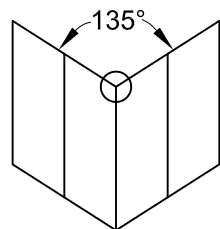


4-TRACK 135° CORNER
"C4" ANCHOR LOCATIONS
(USE WHERE "C3" IS SPECIFIED)



4-TRACK 135° CORNER
"C6" ANCHOR LOCATIONS
(USE WHERE "C5" IS SPECIFIED)

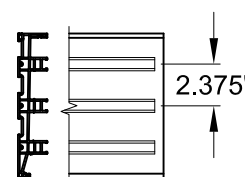
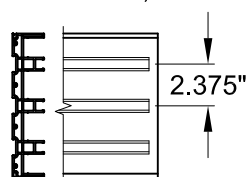
FIGURES PERTAIN TO THE FOLLOWING 135° CORNER HEAD ANCHOR LOCATIONS:



Head/Sill	(C3)+1
Jamb	5
P-hook	7

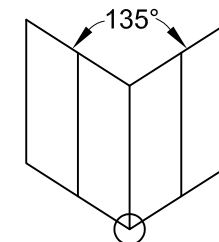
NOTES:

- 1) ALL DIMENSIONS SHOWN ARE BASED ON MINIMUM ALLOWED.
- 2) DETAILS DEPICT ANCHOR QUANTITY AND SPACING, AND WOULD BE SIMILAR FOR OUTSIDE (SHOWN) AND INSIDE CORNER CONFIGURATIONS.
- 3) TRACK-TO-TRACK DISTANCE IS 2.375" FOR ALL HEADS AND SILLS:



FIGURES PERTAIN TO THE FOLLOWING 90° CORNER SILL ANCHOR LOCATIONS:

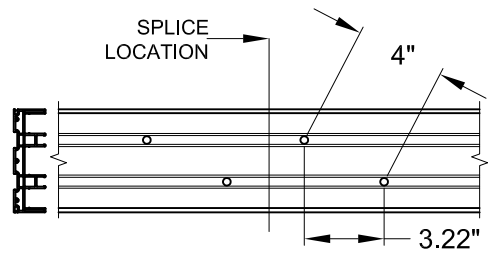
Head/Sill	(C3)+1
Jamb	5
P-hook	7



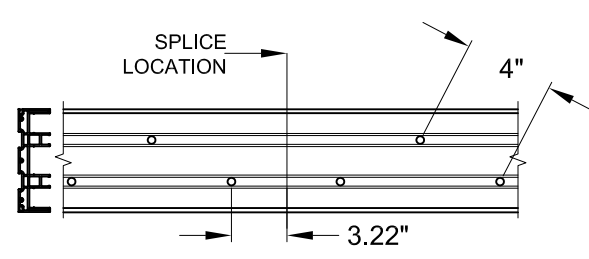
PREPARED BY A. LYNN MILLER 1070 TECHNOLOGY DRIVE N. VENICE, FL 34275 (941) 480-1600	REGISTRATION #29296 COPYRIGHT © 2022 PGT, INC., LIMITED LICENSE TO MAKE COPIES FOR PERMITTING.	Date 06/12/11	Drawn By JENS ROSOWSKI	No. DWG 15 OF 25	Sheet SGD5570V
	VINYL SLIDING GLASS DOOR (LM)				

ANTHONY LYNN MILLER
 LICENSE
 No. 58705
 08/08/22
 STATE OF FLORIDA
 PROFESSIONAL ENGINEER
 A. LYNN MILLER, P.E.
 P.E.# 58705

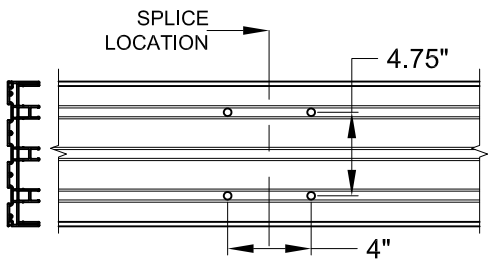
HEAD SPLICE ANCHORS @ INTERLOCK OR ASTRAGAL:



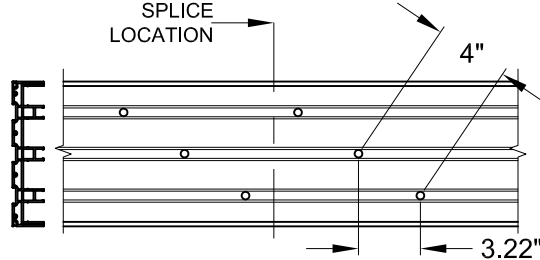
2-TRACK SPLICE
"C4" ANCHOR LOCATIONS
(USE WHERE "C3" IS SPECIFIED)



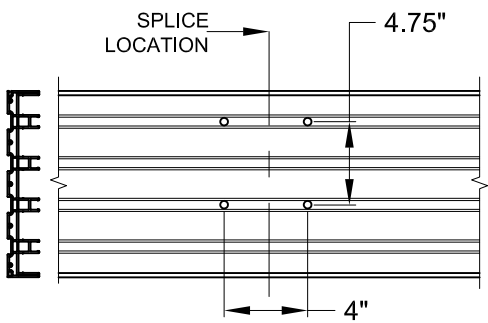
2-TRACK SPLICE
"C6" ANCHOR LOCATIONS
(USE WHERE "C5" IS SPECIFIED)



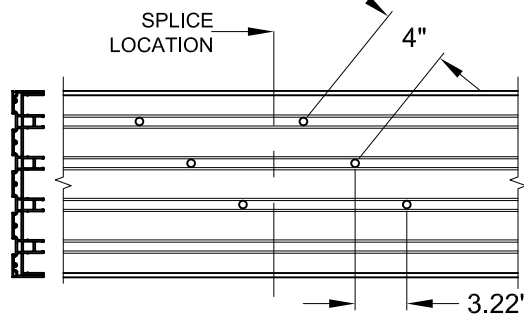
3-TRACK SPLICE
"C4" ANCHOR LOCATIONS
(USE WHERE "C3" IS SPECIFIED)



3-TRACK SPLICE
"C6" ANCHOR LOCATIONS
(USE WHERE "C5" IS SPECIFIED)

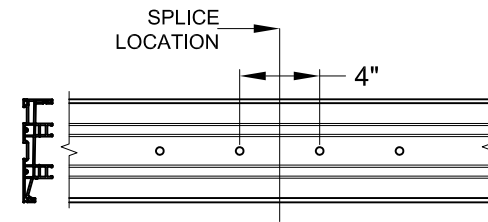


4-TRACK SPLICE
"C4" ANCHOR LOCATIONS
(USE WHERE "C3" IS SPECIFIED)

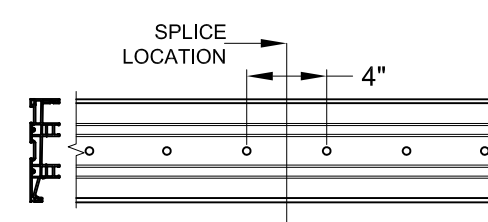


4-TRACK SPLICE
"C6" ANCHOR LOCATIONS
(USE WHERE "C5" IS SPECIFIED)

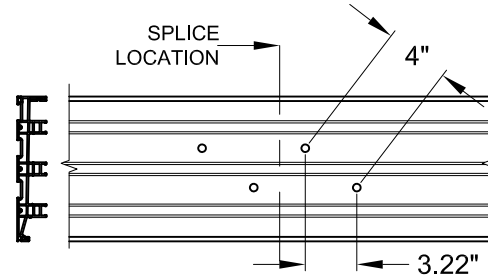
SILL SPLICE ANCHORS @ INTERLOCK OR ASTRAGAL:



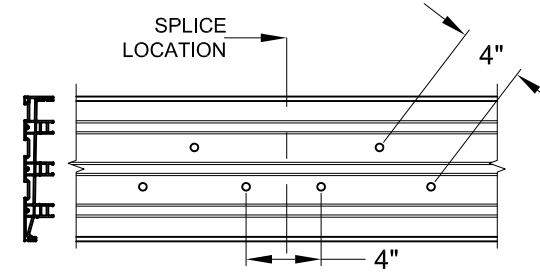
2-TRACK SPLICE
"C4" ANCHOR LOCATIONS
(USE WHERE "C3" IS SPECIFIED)



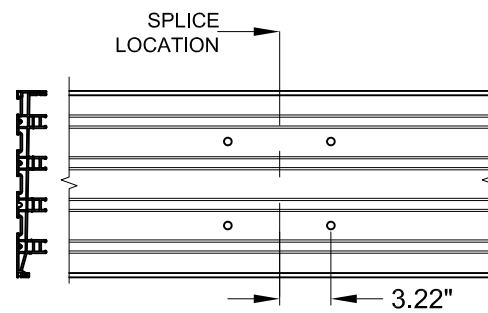
2-TRACK SPLICE
"C6" ANCHOR LOCATIONS
(USE WHERE "C5" IS SPECIFIED)



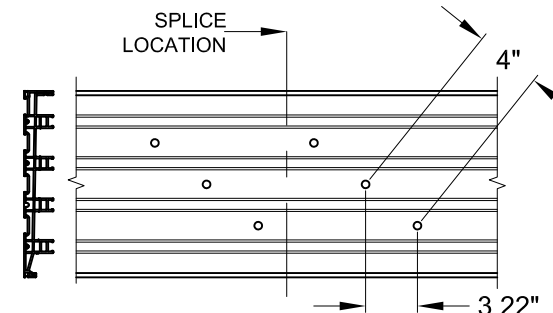
3-TRACK SPLICE
"C4" ANCHOR LOCATIONS
(USE WHERE "C3" IS SPECIFIED)



3-TRACK SPLICE
"C6" ANCHOR LOCATIONS
(USE WHERE "C5" IS SPECIFIED)

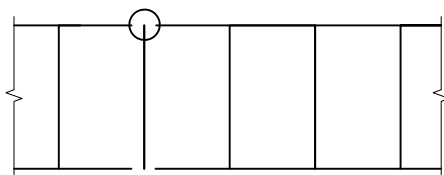


4-TRACK SPLICE
"C4" ANCHOR LOCATIONS
(USE WHERE "C3" IS SPECIFIED)



4-TRACK SPLICE
"C6" ANCHOR LOCATIONS
(USE WHERE "C5" IS SPECIFIED)

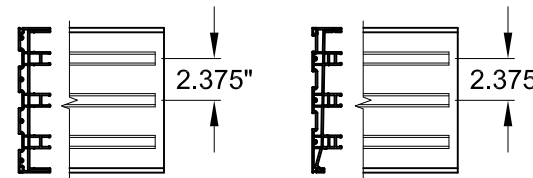
FIGURES PERTAIN TO THE FOLLOWING SPLICED HEAD ANCHOR LOCATIONS:



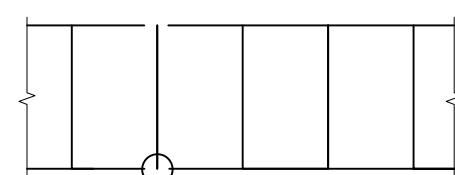
Head/Sill	(C3)+1
Jamb	5
P-hook	7

NOTES:

- 1) ALL DIMENSIONS SHOWN ARE BASED ON MINIMUM ALLOWED.
- 2) ABOVE FIGURES ARE FOR SPLICES OCCURRING AT THE ASTRAGAL OR INTERLOCK. FOR SPLICES OCCURRING INSIDE OF A POCKET, SEE THE EXAMPLE ON SHEET 9.
- 3) POCKET WALL OR CAVITY IS NOT PART OF THIS APPROVAL AND IS TO BE DESIGNED BY OTHERS AND REVIEWED BY THE AUTHORITY HAVING JURISDICTION.
- 4) TRACK-TO-TRACK DISTANCE IS 2.375" FOR ALL HEADS AND SILLS:



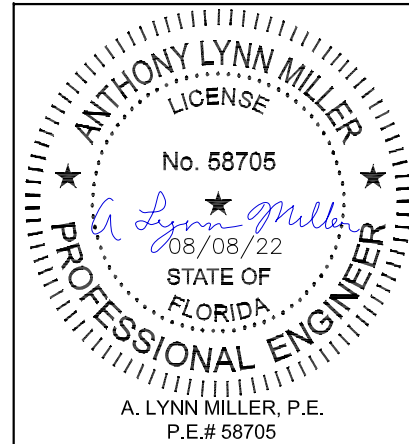
FIGURES PERTAIN TO THE FOLLOWING SPLICED SILL ANCHOR LOCATIONS:



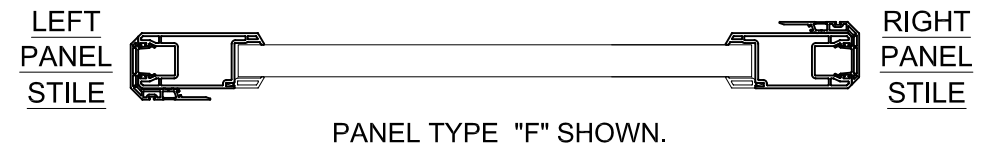
Head/Sill	(C3)+1
Jamb	5
P-hook	7

Rev. #	C
Date	08/01/22
Method	UPDATED CERT. METHOD

PREPARED BY A. LYNN MILLER 1070 TECHNOLOGY DRIVE N. VENICE, FL 34275 (941) 480-1600	REGISTRATION #29296 COPYRIGHT © 2022 PGT, INC., LIMITED LICENSE TO MAKE COPIES FOR PERMITTING.	Date 06/12/11	Drawn By JENS ROSOWSKI	No. DWG 16 OF 25	Series Title ANCHOR LOCATIONS F
	1070 TECHNOLOGY DRIVE N. VENICE, FL 34275 (941) 480-1600	VINYL SLIDING GLASS DOOR (LM)	Sheet SGD5570V	No. DWG 16 OF 25	Series Title ANCHOR LOCATIONS F



PANEL TYPES INTERIOR OR EXTERIOR GLAZED		PANEL'S RIGHT STILE TYPE										
		SINGLE INTERLOCK OUT	SINGLE INTERLOCK IN	FIXED STILE	LOCKSTILE W/ HANDLE	ASTRAGAL BOX OUT	ASTRAGAL BOX IN	OUTSIDE 90° ASTRAGAL RECEIVER	INSIDE 90° ASTRAGAL RECEIVER	OUTSIDE 135° ASTRAGAL RECEIVER	INSIDE 135° ASTRAGAL RECEIVER	
PANEL'S LEFT STILE TYPE	SINGLE INTERLOCK OUT		<i>E</i>	<i>F</i>	<i>PP</i>	<i>K</i>	<i>L</i> <small>(BOX OUT)</small>	<i>L</i> <small>(BOX IN)</small>	<i>TC</i>	<i>TA</i>	<i>TV</i>	<i>TW</i>
	SINGLE INTERLOCK IN		<i>B</i>	<i>H</i>	<i>P</i>	<i>A</i>	<i>C</i> <small>(BOX OUT)</small>	<i>C</i> <small>(BOX IN)</small>	<i>SC</i>	<i>SA</i>	<i>SV</i>	<i>SW</i>
	FIXED STILE		<i>RR</i>	<i>R</i>			<i>S</i> <small>(BOX OUT)</small>	<i>S</i> <small>(BOX IN)</small>	<i>FC</i>	<i>FD</i>	<i>FV</i>	<i>FW</i>
	LOCKSTILE W/ HANDLE		<i>D</i>	<i>M</i>			<i>J</i> <small>(BOX OUT)</small>	<i>J</i> <small>(BOX IN)</small>				
	ASTRAGAL BOX OUT		<i>LR</i> <small>(BOX OUT)</small>		<i>T</i> <small>(BOX OUT)</small>	<i>U</i> <small>(BOX OUT)</small>						
	ASTRAGAL BOX IN			<i>N</i> <small>(BOX IN)</small>	<i>T</i> <small>(BOX IN)</small>	<i>U</i> <small>(BOX IN)</small>						
	OUT. 90° ASTRAGAL RECEIVER		<i>CT</i>	<i>CS</i>	<i>CF</i>							
	IN. 90° ASTRAGAL RECEIVER		<i>AT</i>	<i>AS</i>	<i>DF</i>							
	OUT. 135° ASTRAGAL RECEIVER		<i>VT</i>	<i>VS</i>	<i>VF</i>							
	IN. 135° ASTRAGAL RECEIVER		<i>WT</i>	<i>WS</i>	<i>WF</i>							



- PANEL NOTES:
- 1) SEE DP/ANCHOR TABLES 1 & 2, SHEETS 7-8 FOR PANEL SIZES & DESIGN PRESSURE.
 - 2) PANEL TYPES NOT SHOWN ARE NOT REQUIRED FOR ANY CONFIGURATIONS AND ARE NOT AVAILABLE.
 - 3) MAXIMUM NOMINAL PANEL WIDTH FOR ALL PANEL CONFIGURATIONS IS 60".
 - 4) PANEL TYPE MAY BE EITHER EXTERIOR (STANDARD) OR INTERIOR GLAZED, BOTH TYPES QUALIFIED BY THIS APPROVAL, SEE DETAILS SHEET 10.

SCREEN PANEL TYPES			
<i>C</i>	DOUBLE INTERLOCK		ASTRAGAL
<i>M</i>	LOCKSTILE		DOUBLE INTERLOCK
<i>J</i>	LOCKSTILE		ASTRAGAL
<i>SD</i>	SINGLE INTERLOCK		DOUBLE INTERLOCK
<i>A</i>	DOUBLE INTERLOCK		LOCKSTILE
<i>U</i>	ASTRAGAL		LOCKSTILE
<i>DS</i>	DOUBLE INTERLOCK		SINGLE INTERLOCK

Rev. # 08/01/22
Date
UPDATED CERT. METHOD
Rev.

PREPARED BY A. LYNN MILLER
1070 TECHNOLOGY DRIVE
N. VENICE, FL 34275
(941) 480-1600

REGISTRATION #29296
COPYRIGHT © 2022 PGT, INC., LIMITED LICENSE
TO MAKE COPIES FOR PERMITTING.

1070 TECHNOLOGY DRIVE
N. VENICE, FL 34275
(941) 480-1600

VINYL SLIDING GLASS DOOR (LM)

JENS ROSOWSKI
By

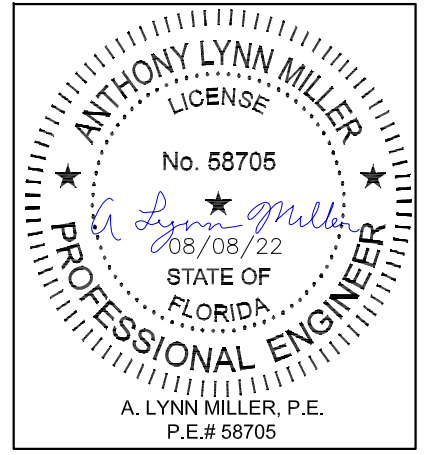
06/12/11
Date

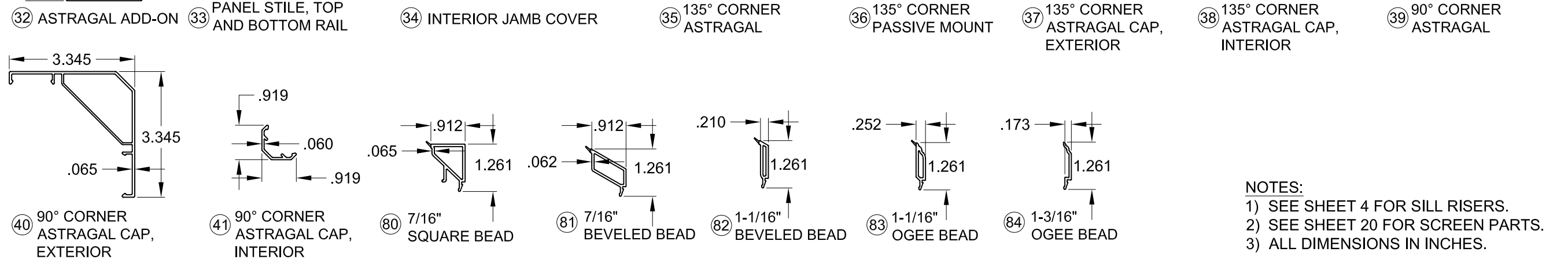
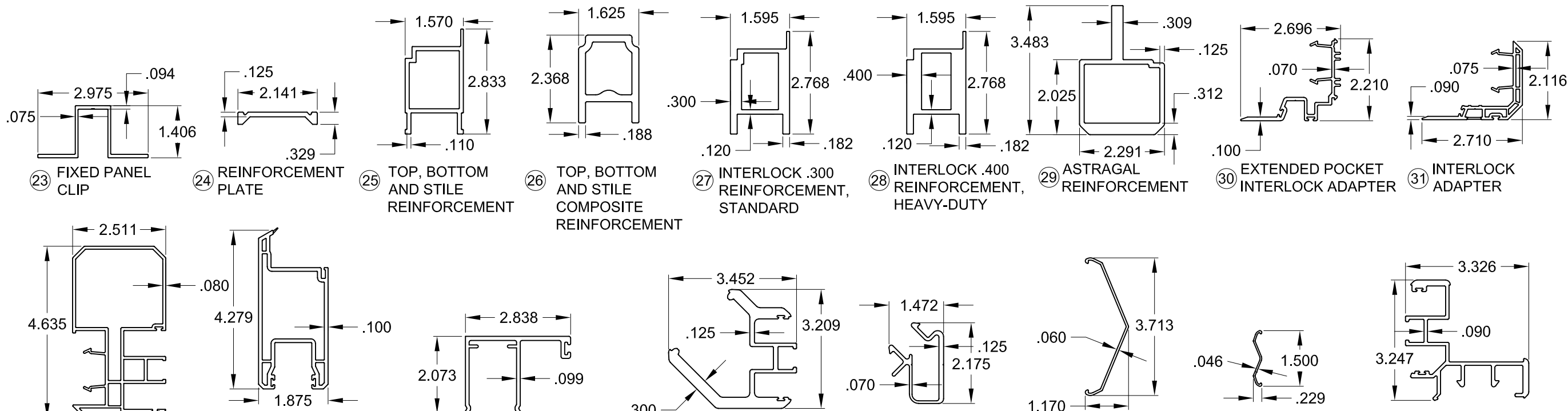
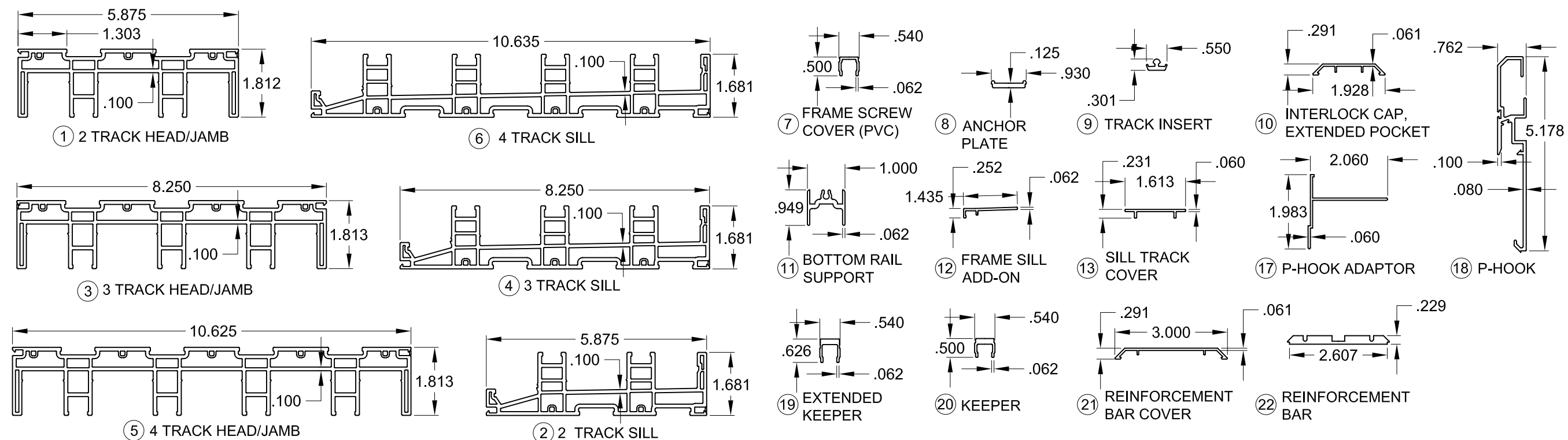
SGD5570V
Series

SGD5570FPA-LM
No. DWG

17 OF 25
Sheet

PANEL TYPES

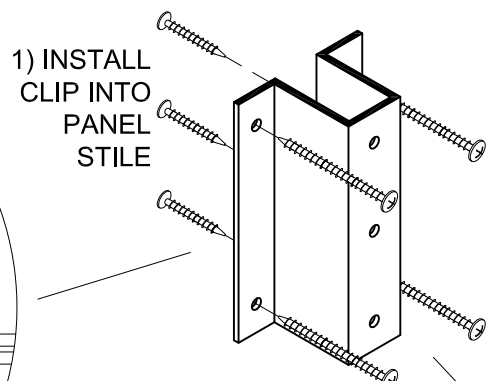
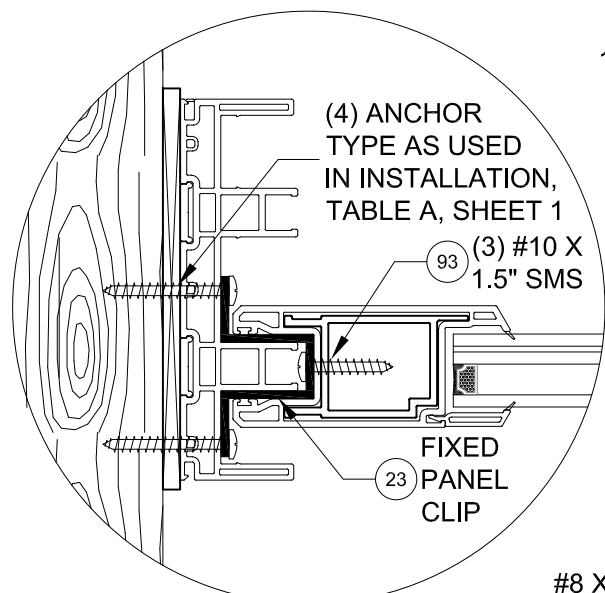




NOTES:
1) SEE SHEET 4 FOR SILL RISERS.
2) SEE SHEET 20 FOR SCREEN PARTS.
3) ALL DIMENSIONS IN INCHES.

PREPARED BY A. LYNN MILLER 1070 TECHNOLOGY DRIVE N. VENICE, FL 34275 (941) 480-1600	REGISTRATION #29296 COPYRIGHT © 2022 PGT, INC., LIMITED LICENSE TO MAKE COPIES FOR PERMITTING.	Date 06/12/11 Drawn By JENS ROSOWSKI No. DWG 18 OF 25	Series Desc. SGD5570V Title VINYL SLIDING GLASS DOOR (LM) Extrusions SGD5570FPA-LM
	1070 TECHNOLOGY DRIVE N. VENICE, FL 34275 (941) 480-1600		

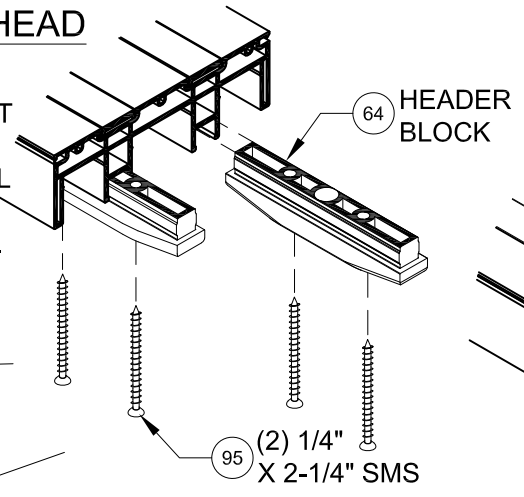
ANTHONY LYNN MILLER
LICENSE
No. 58705
08/08/22
STATE OF FLORIDA
PROFESSIONAL ENGINEER
A. LYNN MILLER, P.E.
P.E.# 58705



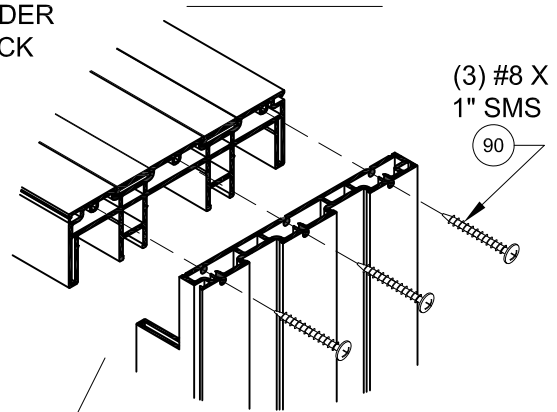
FIXED PANEL CLIP
INSTALL ONE CLIP AT THE MIDSPAN OF EACH FIXED PANEL-TO-FRAME JAMB LOCATION.

HEADER BLOCK TO HEAD ATTACHMENT

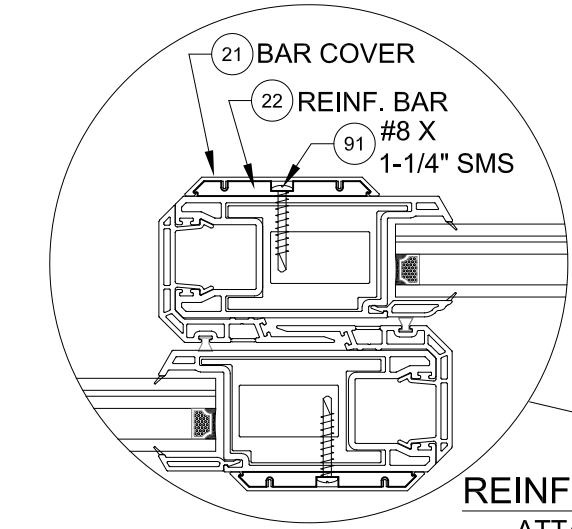
INSTALL ONE BLOCK AT EACH INTERLOCK. AT ASTRAGAL, INSTALL ONE BLOCK THAT SPANS BOTH PANELS.



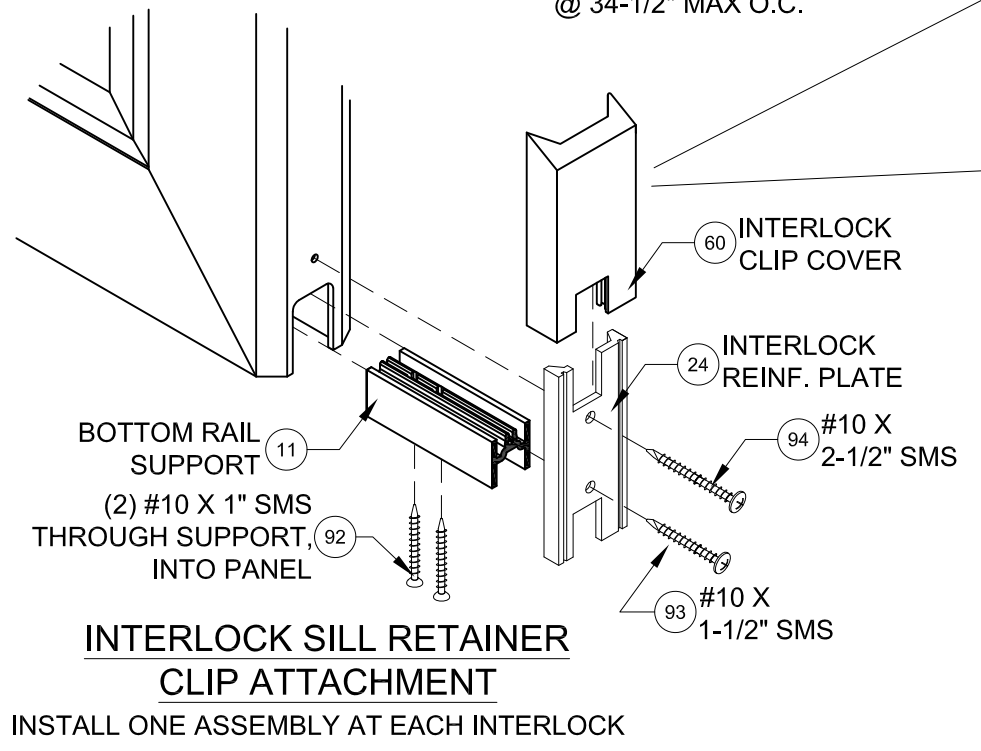
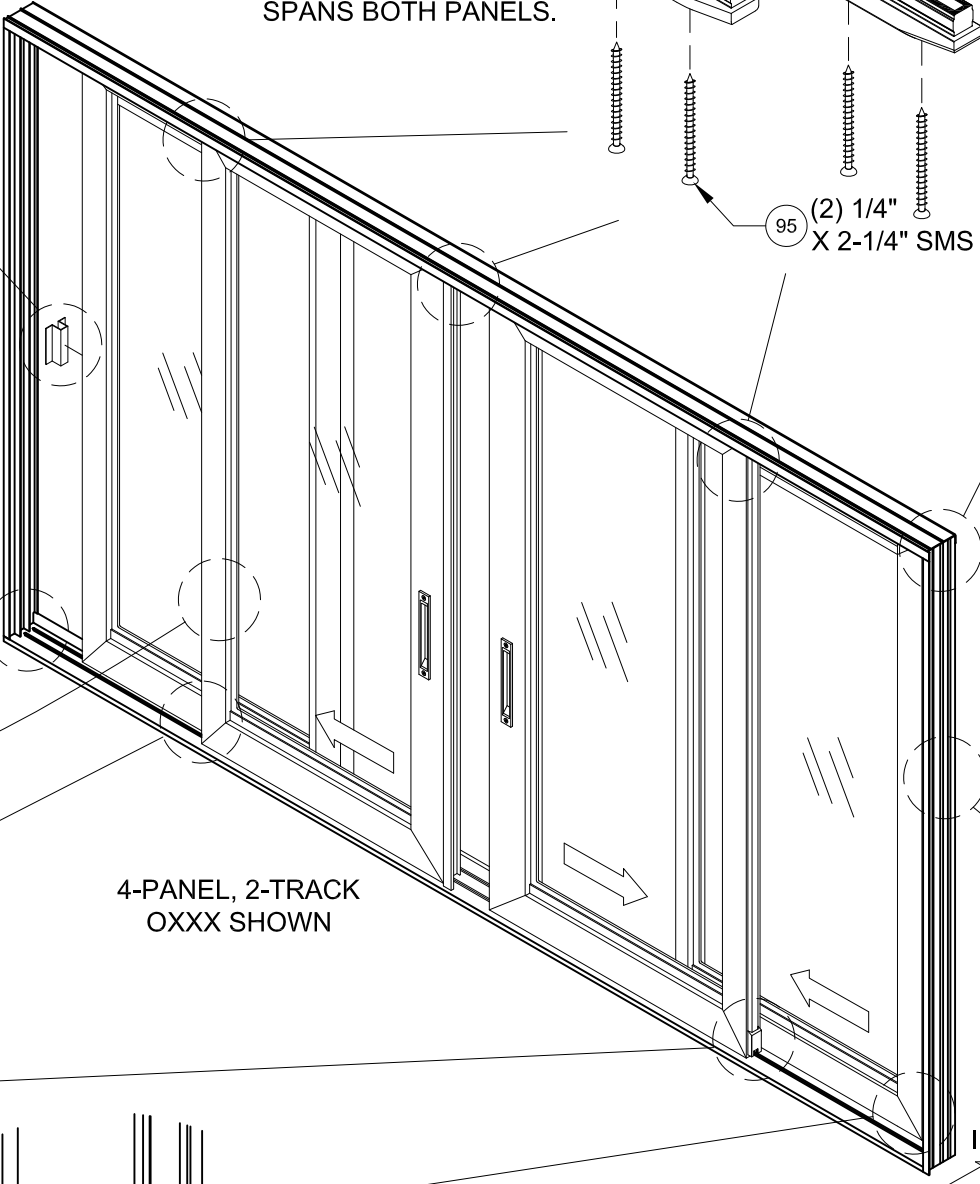
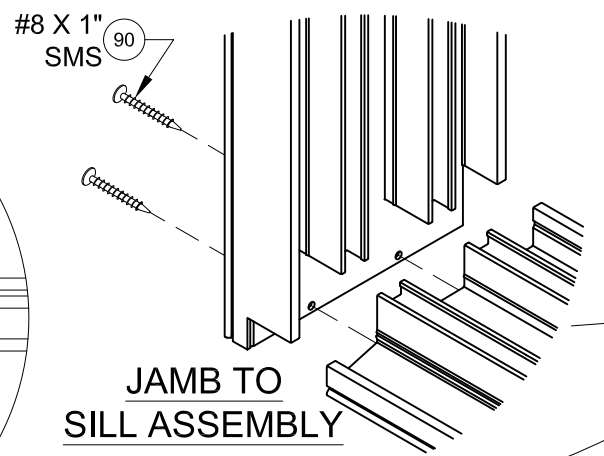
JAMB TO HEAD ASSEMBLY



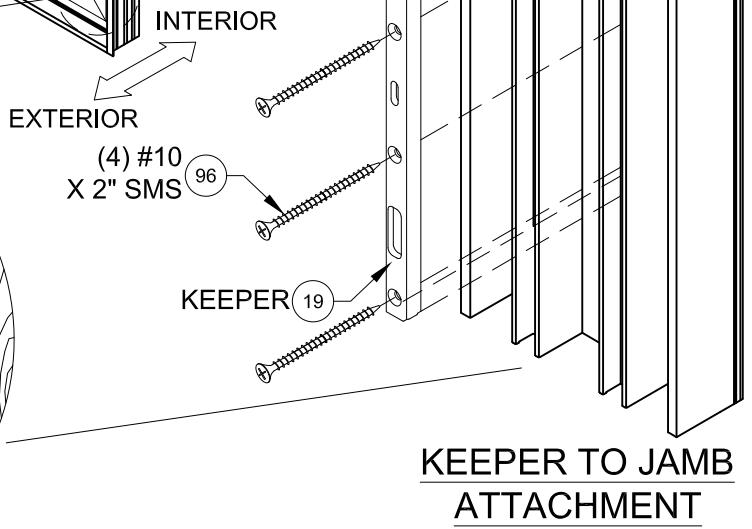
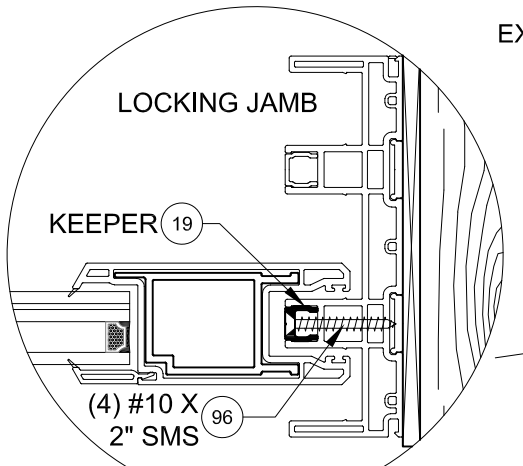
- NOTES**
- 1) DETAILS APPLY TO 2, 3 AND 4 TRACK CONFIGURATIONS.
 - 2) SEE SHEETS 11-16 FOR ANCHOR LOCATION & SPACING.
 - 3) SEE TABLES 1 & 2 FOR REINFORCEMENT REQUIREMENTS.
 - 4) CONTINUOUS ANCHOR PLATE, ITEM #8, IS REQUIRED AT ALL FRAME ANCHOR LOCATIONS.



REINFORCEMENT PLATE
ATTACH WITH #8 X 1-1/4" @ 34-1/2" MAX O.C.



PANEL ASSEMBLY
ALL PANEL CORNERS WELDED, NO ASSEMBLY FASTENERS



PREPARED BY A. LYNN MILLER 1070 TECHNOLOGY DRIVE N. VENICE, FL 34275 (941) 480-1600		REGISTRATION #29296 COPYRIGHT © 2022 PGT, INC., LIMITED LICENSE TO MAKE COPIES FOR PERMITTING.	Date 06/12/11	Drawn By JENS ROSOWSKI	No. DWG SGD5570FPA-LM
PGT 1070 TECHNOLOGY DRIVE N. VENICE, FL 34275 (941) 480-1600		VINYL SLIDING GLASS DOOR (LM)		Installation, Accessories	Sheet 19 OF 25
Series	Desc.	Title		Sheet	Series
SGD5570V	INSTALLATION, ACCESSORIES	VINYL SLIDING GLASS DOOR (LM)		Sheet	SGD5570FPA-LM

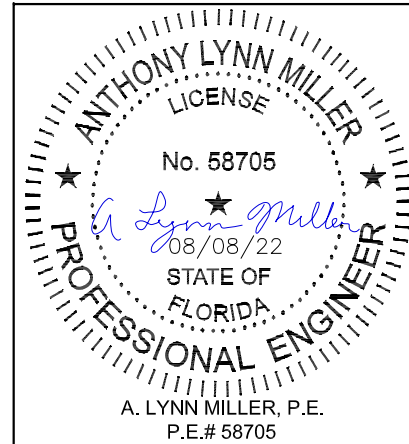


TABLE C:

#	Part #	Description	Material
1	19001	2-Track Head/Jamb	Rigid PVC
2	19002	2-Track Sill	Rigid PVC
3	19025	3-Track Head/Jamb	Rigid PVC
4	19026	3-Track Sill	Rigid PVC
5	19027	4-Track Head/Jamb	Rigid PVC
6	19028	4-Track Sill	Rigid PVC
7	19009	Frame Screw Cover	Rigid PVC
8	19031	Anchor Plate	6063-T6 Alum.
9	19007	Track Insert	6063-T6 Alum.
10	19084	Interlock Cap - Extended Pocket	Rigid PVC
11	19036	Bottom Rail Support	6063-T6 Alum.
12	19006A	Outer Sill Cover	6063-T6 Alum.
13	19011	Sill Track Cover	Rigid PVC
17	19032	P-Hook Adapter	6063-T6 Alum.
18	19020	P-Hook	6063-T6 Alum.
19	19047M	Extended Keeper	6063-T6 Alum.
20	19029M	Keeper	6063-T6 Alum.
21	19014	Reinforcement Bar Cover	Rigid PVC
22	19030	Reinforcement Bar	6005-T5 Alum.
23	19037M	Fixed Panel Clip	6063-T6 Alum.
24	19035M	Reinforcement Plate	6063-T6 Alum.
25	19017M	Top Rail, Bottom Rail and Lockstile Reinforcement	6005-T5 Alum.
26	19046		Composite
27	19018M	Interlock .300 Reinforcement, Std.	6005-T5 Alum.
28	19013M	Interlock .400 Reinforcement, HD	6005-T5 Alum.
29	19019M	Astragal Reinforcement	6005-T5 Alum.
30	19083	Extended Pocket Interlock Adaptor	6063-T6 Alum.
31	19006	Interlock Adaptor	Rigid PVC
32	19008	Astragal Add-on	Rigid PVC
33	19004	Panel Stile, Top/Bottom Rail	Rigid PVC
34	19040	Interior Jamb Cover	6063-T6 Alum.
35	19076	135° Corner Astragal	6063-T6 Alum.
36	19077	135° Corner Astragal Passive Mount	6063-T6 Alum.
37	19079	135° Corner Astragal Cap - Ext.	Rigid PVC
38	19080	135° Corner Astragal Cap - Int.	Rigid PVC
39	19078	90° Corner Astragal	6063-T6 Alum.
40	19081	90° Corner Astragal Cap - Ext.	Rigid PVC
41	19082	90° Corner Astragal Cap - Int.	Rigid PVC

#	Part #	Description	Material
42	19085	Sill Riser - (2-1/2")	6063-T6 Alum.
43	19022A	Sill Riser - (3-1/2")	6063-T6 Alum.
44	19023A	Sill Riser - (4-1/16")	6063-T6 Alum.
45	19024A	Sill Riser - (4-5/8")	6063-T6 Alum.
50	718609W	.187" x .320" Finseal (Stile)	
51	71695K	1-1/2" x 1" x 3/4" Fin Seal Dust Plug	
52	71696	Dust Plug	
60	419041	Interlock Clip Cover	PVC
61	78153X	Tandem Roller Assembly	SS
62	78153N	Tandem Roller Assembly	Nylon
63	78X75FPTX	#8 x 3/4" Ph. FH SMS @ Roller & Reinf.	SS
64	419042	Frame Header Block	Nylon
65	48052	Roller Adj. Hole Plug	PVC
66	44385	4 Hole Bumper Stop	PVC
67	76X114FPTX	#6 x 1-1/4" Ph. FH SMS @Bumper Stop	SS
68	71696G	Sill Plug	PVC
69	78185X	Gemini Mortise Lock w/long Trim plate	Steel/SS
70	71032X1PFX	10-32 x 1" Ph.FH MS @ Lock	SS
71	varies	Handle Kit	Cast Zinc
72	19054	Interlock Retainer Clip	Nylon
75		Kommerling 4SG TPS Spacer System	See Sheet 10 for Materials
76		Quanex Super Spacer nXT with Hot Melt Butyl	
77		Quanex Duraseal	
78		Cardinal XL Edge Spacer	
79		Dow-791, 983, 995 or RGS-7700 Backbedding	Silicone
80	19090	7/16" Square Bead	Rigid PVC
81		7/16" Beveled Bead	Rigid PVC
82	19044	1-1/16" Beveled Bead	Rigid PVC
83	19045	1-1/16" Ogee Bead	Rigid PVC
84	19016	1-3/16" Ogee Bead	Rigid PVC
85	71725K	Setting Block 1/2" x 4" x 1/16", 85 +/- 5 duro.	Neoprene
86	71726K	Setting Block 1" x 4" x 1/16", 85 +/- 5 duro.	Neoprene
90	781PSTX	#8 x 1" Ph. PH SMS @ Frame Assembly	SS
91	78X114PHPT410X	#8 x 1-1/4" Ph. PH SMS @ Reinf. Bar	SS
92	710X1PHPT18-8X	#10 x 1" Ph. PH SMS @ Rail Support	SS
93	710X115PPX	#10 x 1-1/2" Ph. PH SMS @ Fxd. Pnl. Clip	SS
94	710X2.5PHPT18-8X	#10 x 2-1/2" Ph. PH SMS @ Reinf. Plate/Ast.	SS
95	71420X2.25PFX	#12 x 2-1/4" Ph. PH SMS @ Hdr. Block	SS
96	710X1.75PPX	#10 x 1-3/4" Ph. FH SMS @ Keeper	SS
97	710X34PPX	#10 x 3/4" Ph. PH SMS @ Ext. Pkt. Int.	SS

TABLE D: BOX SCREEN

#	Part #	Description	Material
100	12256	Box Screen Top Rail	6063 T5 Al
101	12257	Box Screen Bottom Rail	6063 T5 Al
102	12258	Box Screen Side Rail	6063 T5 Al
103	64428	Box Screen Interlock	6063 T6 Al
104	17347A	Box Screen Snap-on Bug Flap	6063 T6 Al
105	64345	Box Screen OXO Astragal Adapter	6063 T6 Al
106	17349	Box Screen Astragal Adapter	6063 T5 Al
107	19039	Box Screen Frame Sill Add-on	6063 T6 Al
108	19038	Box Screen Head/Jamb Add-on	6063 T6 Al
109	720X1X	#14-20 x 1" MS @ Top Rail	SS
110	720X112X	#14-20 x 1-1/2" MS @ Bottom Rail	SS
111	71793G	Wstp, .270" x .150" - Fin Seal	
112	61805K	Wstp, .187" x .500" @ Bug Flap	
113	7SRAX	Standard Roller	Nylon
114	7SRAX	HD Roller	SS
115	varies	Screen Locking Hardware	Steel
116	419053	Screen Keeper	Steel
117	76X1PPA	#6 x 1" Ph. PH SMS	Steel
118	1692/3/4	Screen Spline - .150" & .165"	Vinyl
119	1816C20	Screen Cloth	Fiberglass

TABLE E: STANDARD SCREEN

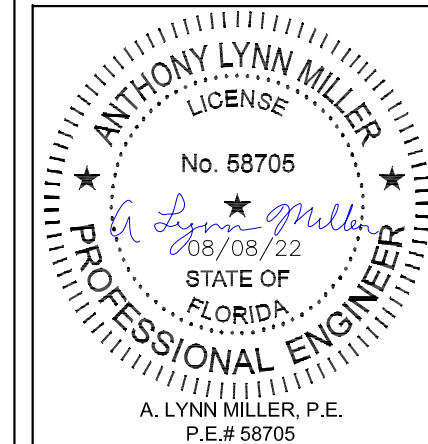
#	Part #	Description	Material
120	12033	Screen Frame Rail	6063 T5 Al
121	12026A	Screen Frame - Side Rail (Latch)	6063 T5 Al
122	17363	Screen OXO Astragal Adapter	6063 T6 Al
123	4853K	Screen Vinyl Astragal Adapter	Rigid PVC
124	19012B	Frame Sill Screen Add-on	6063 T6 Al
125	6FP95K	Bug Flap, 85 +/- 5 duro.	Vinyl
126	78X112PSATS	#8 x 1-1/2" Ph. PH SMS (Assembly)	SS
127	712027	Corner Key Wheel Assembly (Standard)	Nylon
128	712027SS	Corner Key Wheel Assembly (HD)	SS
129	varies	Screen Locking Hardware	Steel
130	710X34PPSDAX	#10 x 3/4" Ph. PH SMS @ Screen Ast.	SS
131	78X12PPSMSX	#8 x 1/2" Ph. PH SMS @ Door Ast.	SS
132	1692/3/4	Screen Spline - .145"	Vinyl
133	1816C20	Screen Cloth	Fiberglass

NOTES:

1) ITEMS #14-16, 46-49, 53-59, 73, 74 & 87-89, 98 & 99 ARE NOT USED AND ARE NOT PART OF THIS APPROVAL.

Rev. # 08/01/22
Date
UPDATED CERT. METHOD
C

PREPARED BY A. LYNN MILLER 1070 TECHNOLOGY DRIVE N. VENICE, FL 34275 (941) 480-1600	REGISTRATION #29296 COPYRIGHT © 2022 PGT, INC., LIMITED LICENSE TO MAKE COPIES FOR PERMITTING.	Date	06/12/11
		By	JENS ROSOWSKI
1070 TECHNOLOGY DRIVE N. VENICE, FL 34275 (941) 480-1600		VINYL SLIDING GLASS DOOR (LM)	
BILL OF MATERIALS		No. DWG	21 OF 25
SGD5570V	SGD5570FPA-LM	Sheet	

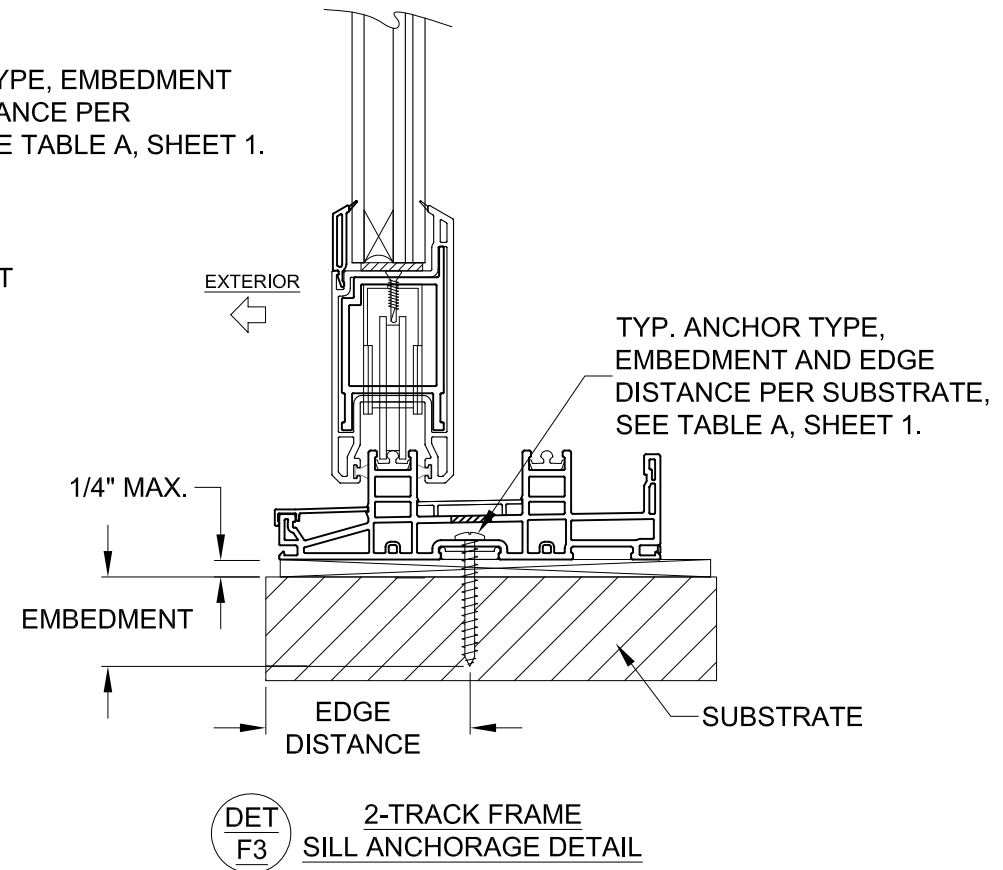
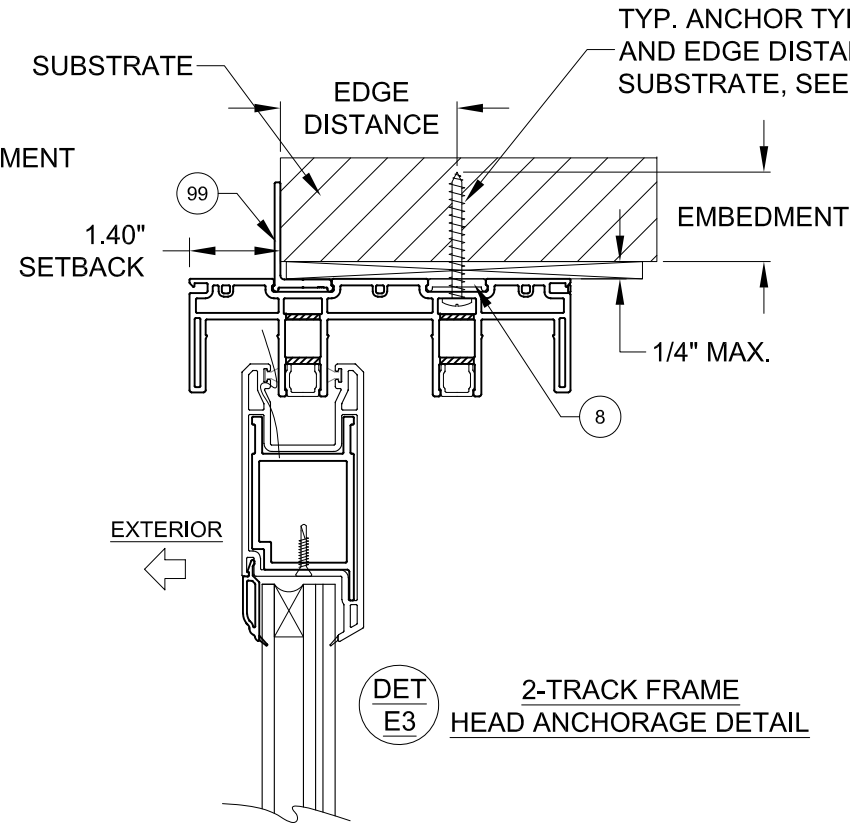
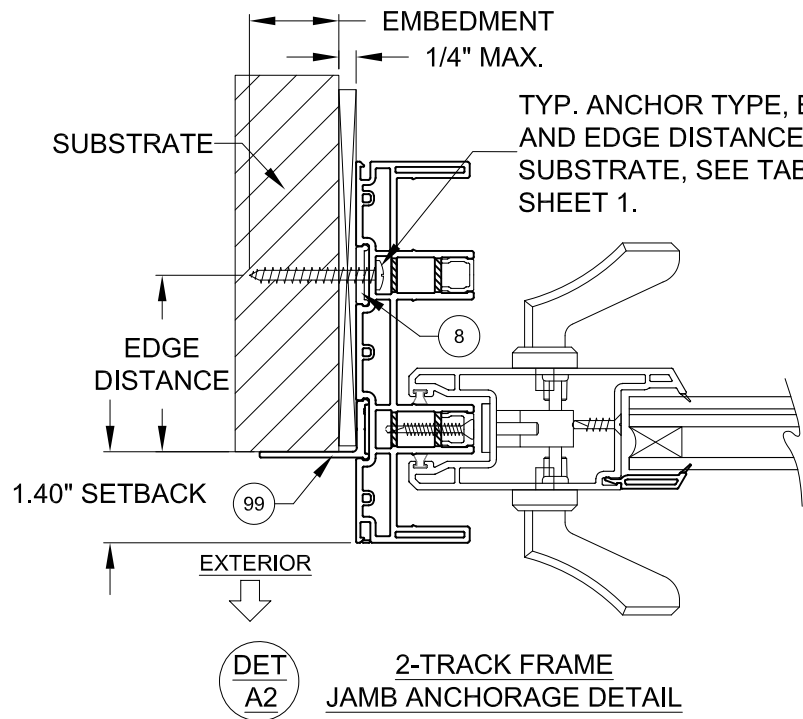


ANCHORAGE DETAILS FOR SGD WHEN INSTALLED WITH FRAME FIN ADDON @ HEAD AND JAMB (SHEETS 22-25)

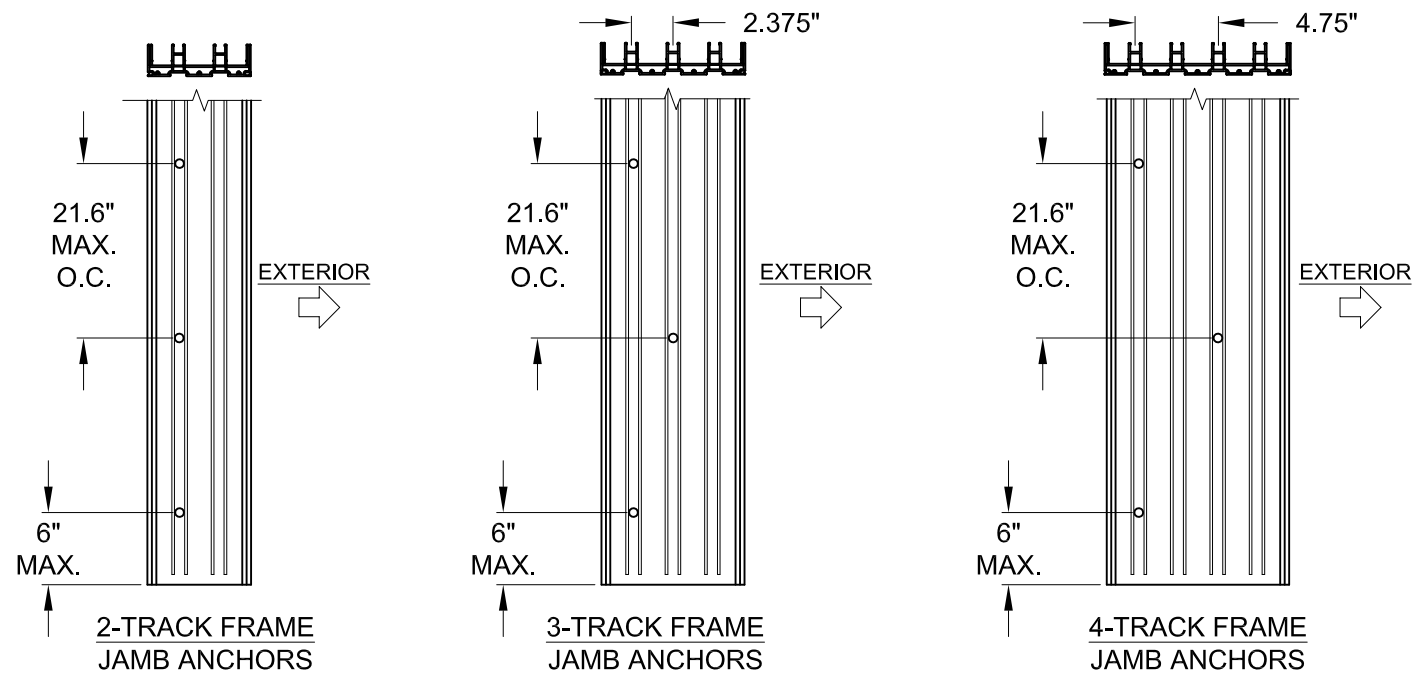
TO ACHIEVE PROPER ANCHOR EDGE DISTANCE, THE FOLLOWING SHEETS (22-25) SHOW ANCHOR PATTERNS THAT MUST BE USED WHEN USING THE FRAME FIN ADDON.

NOTES:

- 1) DETAILS APPLY TO 2, 3 AND 4 TRACK CONFIGURATIONS.
- 2) REFER TO TABLE A FOR ANCHOR CONSTRAINTS.
- 3) SILL ANCHORAGE WITH FIN ADDON IS UNCHANGED FROM THE BOX FRAME ANCHORAGE.

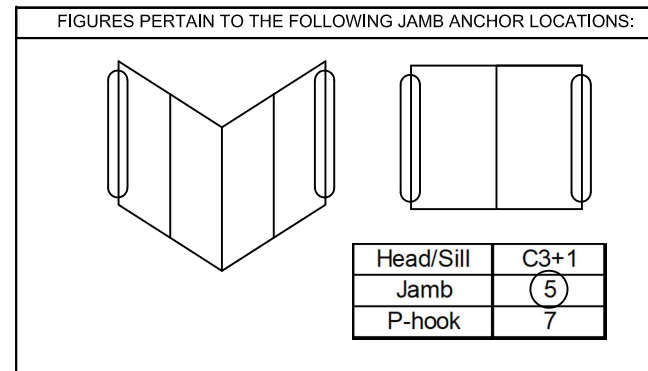


JAMB ANCHORS LAYOUT (USING FRAME FIN ADDON):



NOTE:

- 1) STANDARD ANCHOR LOCATIONS SHOWN. FOR 3 AND 4-TRACK JAMBS, ANCHORS IN THE INTERIOR TRACK MAY BE LOCATED IN THE ADJACENT TRACK AS REQUIRED TO MEET MIN. EDGE DISTANCE CONSTRAINTS FROM THE INTERIOR.



PREPARED BY A. LYNN MILLER
1070 TECHNOLOGY DRIVE
N. VENICE, FL 34275
(941) 480-1600

REGISTRATION #29296
COPYRIGHT © 2022 PGT, INC., LIMITED LICENSE
TO MAKE COPIES FOR PERMITTING.

VINYL SLIDING GLASS DOOR (LM)

ANCHOR LOCATIONS - FIN

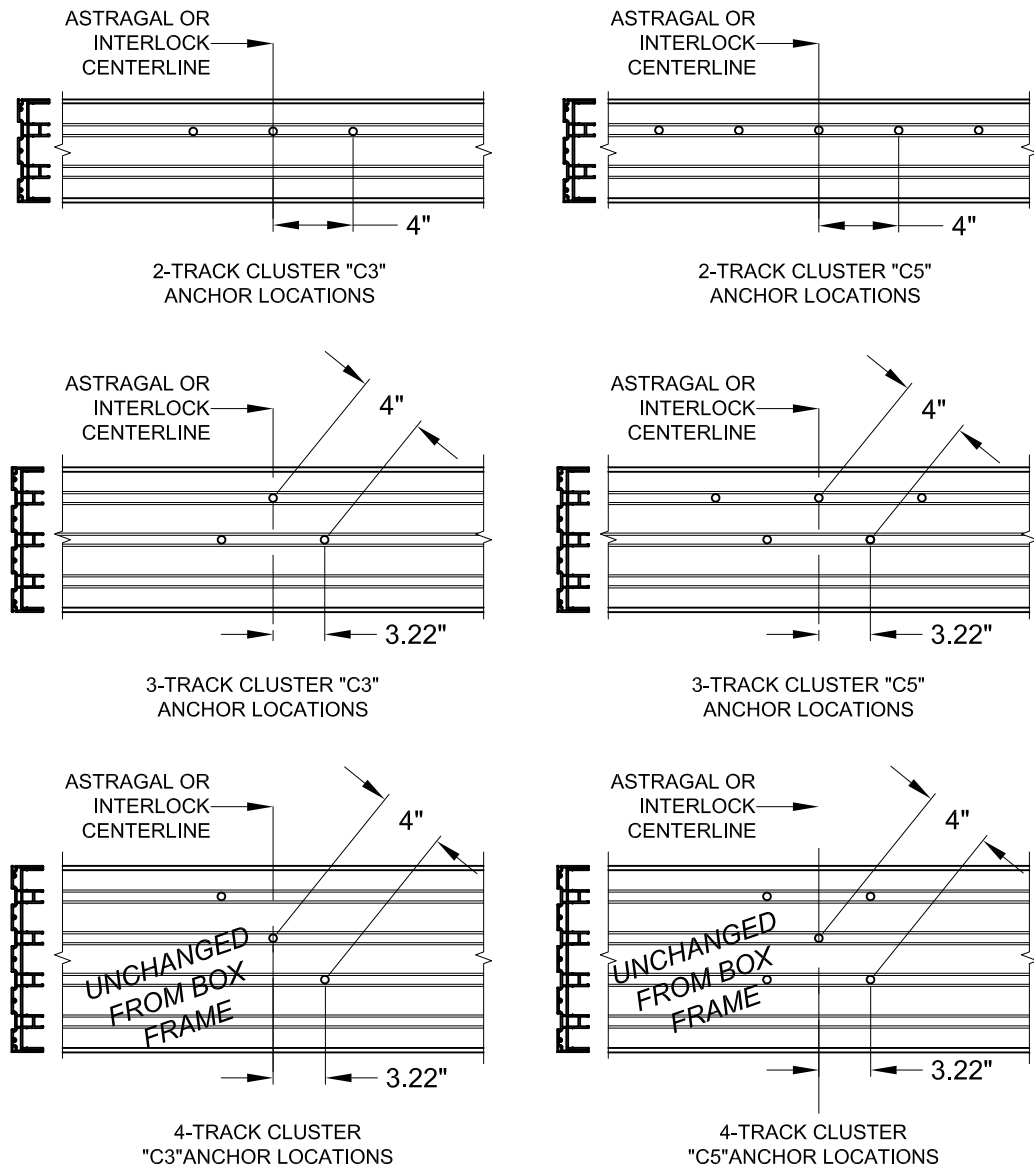
SGD5570V 22 OF 25 SGD5570FPA-LM

By: JENS ROSOWSKI
Date: 06/12/11

ANTHONY LYNN MILLER
LICENSE
No. 58705
08/08/22
STATE OF FLORIDA
PROFESSIONAL ENGINEER
A. LYNN MILLER, P.E.
P.E.# 58705

Rev. # 08/01/22 Date 08/01/22 Updated Cert. Method C

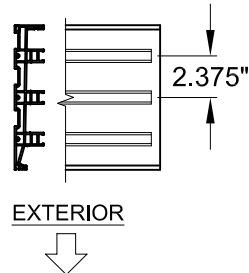
HEAD CLUSTER ANCHORS LAYOUT (USING FIN ADDON):



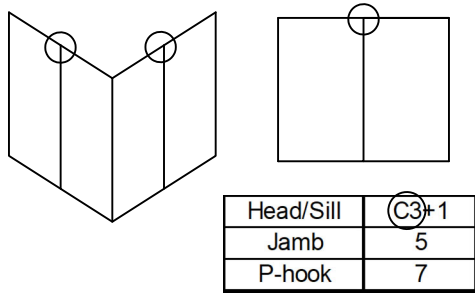
NOTES:

1) ALL DIMENSIONS SHOWN ARE BASED ON MINIMUM ALLOWED.

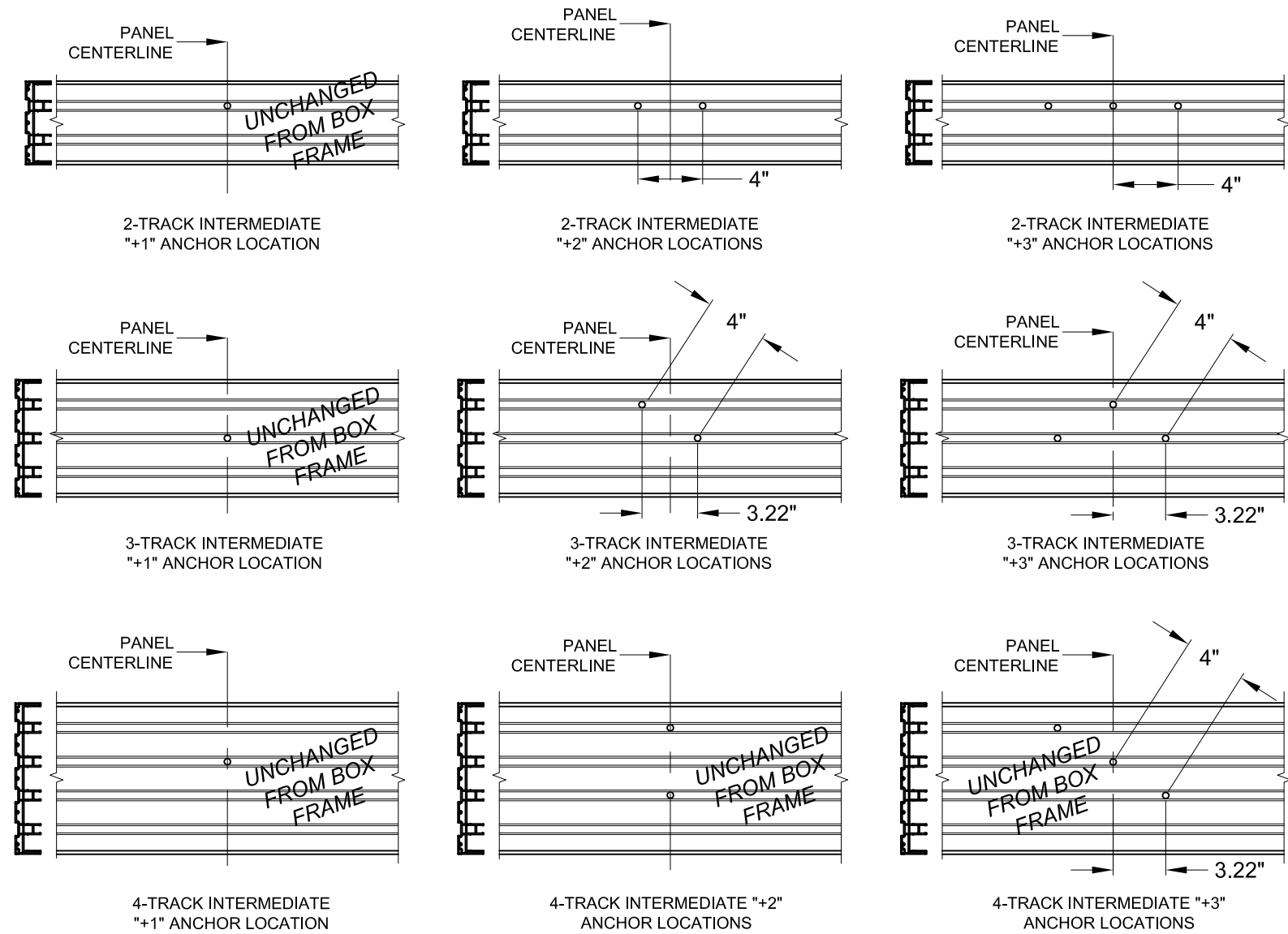
2) TRACK-TO-TRACK DISTANCE IS 2.375" FOR ALL SILLS:



FIGURES PERTAIN TO THE FOLLOWING HEAD CLUSTER ANCHOR LOCATIONS:



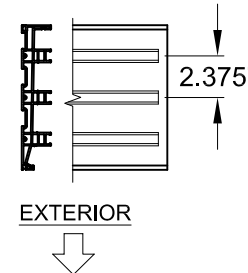
HEAD "+" INTERMEDIATE ANCHORS LAYOUT (USING FIN ADDON):



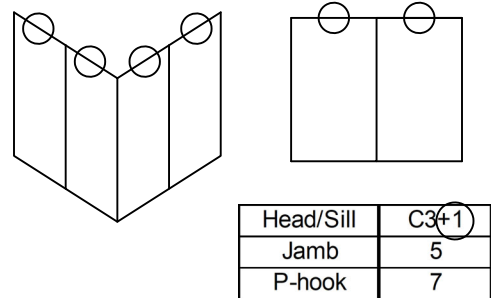
NOTES:

1) ALL DIMENSIONS SHOWN ARE BASED ON MINIMUM ALLOWED.

2) TRACK-TO-TRACK DISTANCE IS 2.375" FOR ALL SILLS:



FIGURES PERTAIN TO THE FOLLOWING HEAD INTERMEDIATE ANCHOR LOCATIONS:



C

Rev.#

08/01/22

Date

UPDATED CERT. METHOD

Rev.

PREPARED BY A. LYNN MILLER
1070 TECHNOLOGY DRIVE
N. VENICE, FL 34275
(941) 480-1600

REGISTRATION #29296
COPYRIGHT © 2022 PGT, INC., LIMITED LICENSE
TO MAKE COPIES FOR PERMITTING.

VINYL SLIDING GLASS DOOR (LM)

ANCHOR LOCATIONS - FIN

SGD55570V 23 OF 25 Sheet

SGD55570FPA-LM

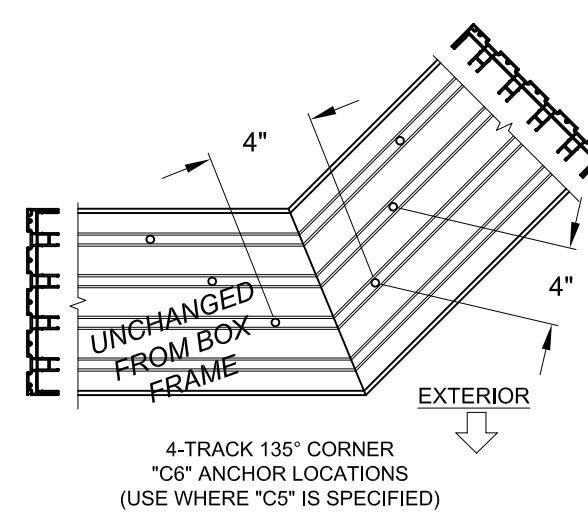
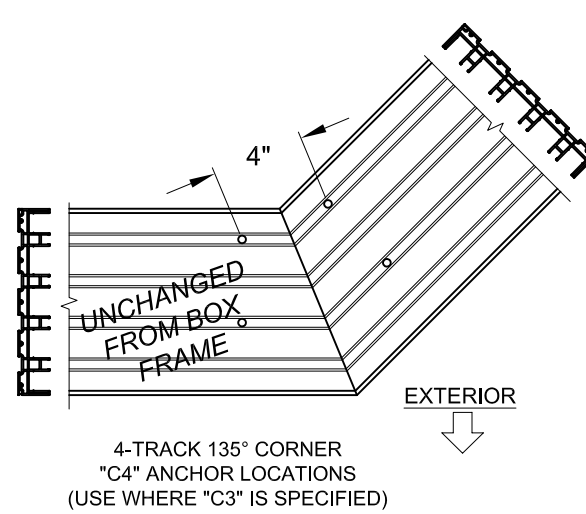
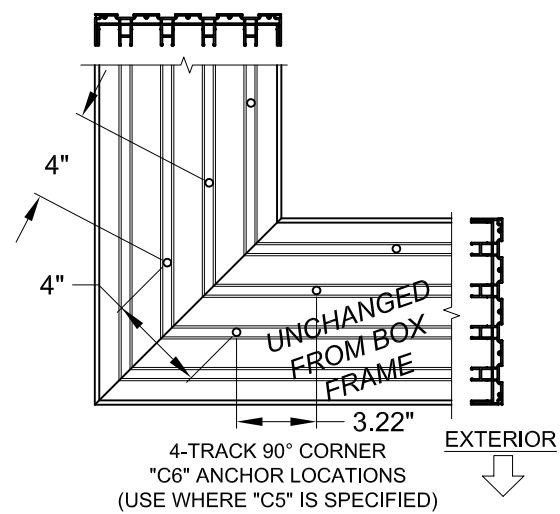
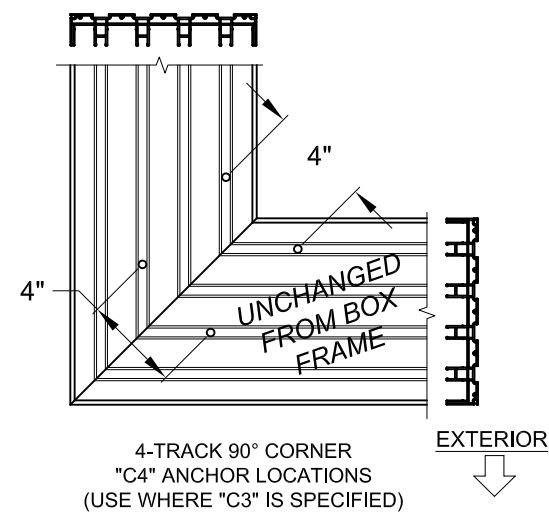
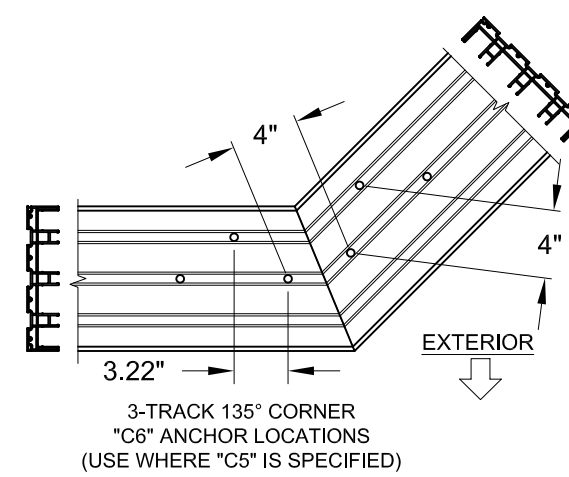
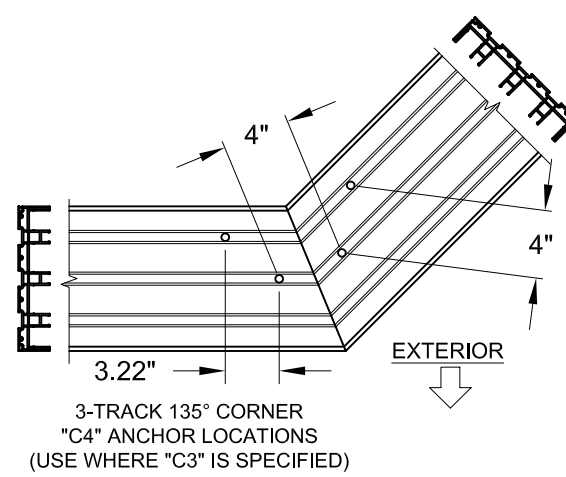
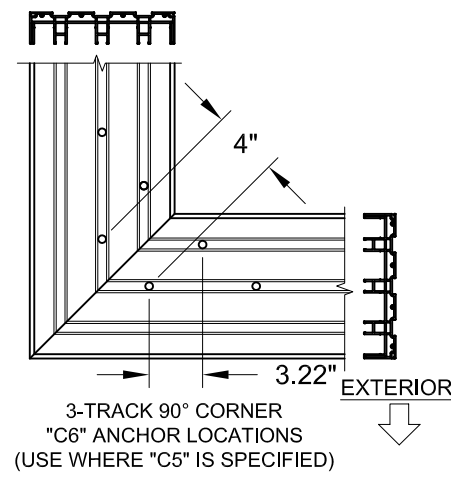
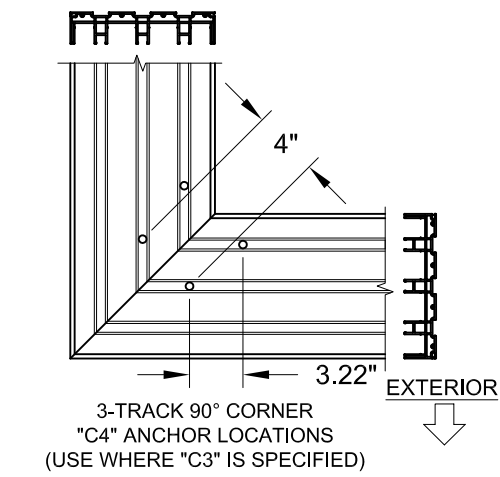
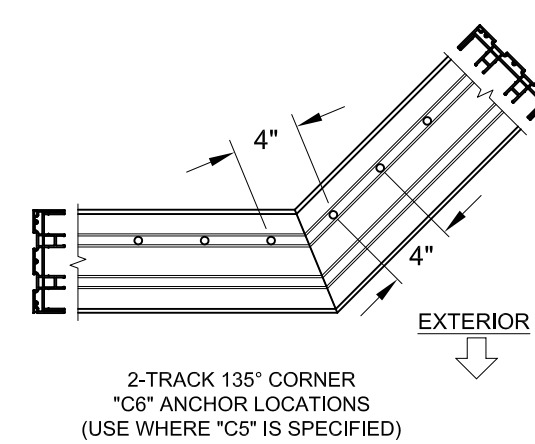
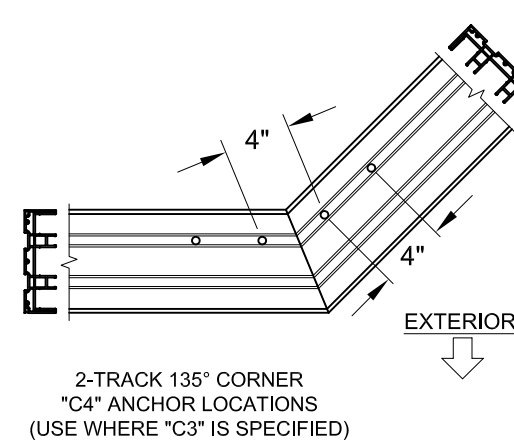
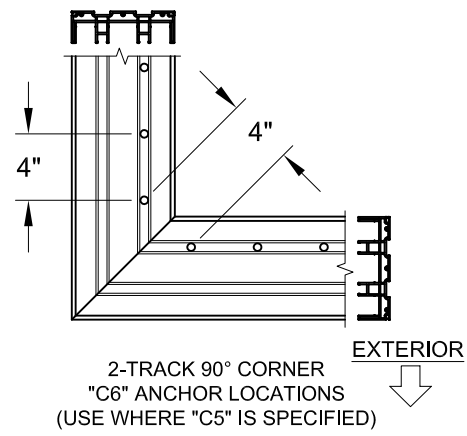
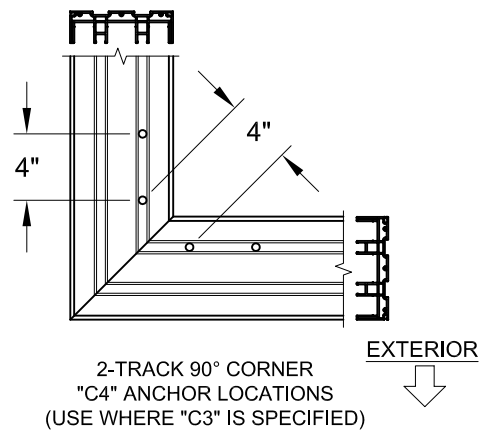
JENS ROSOWSKI
By

06/12/11
Date

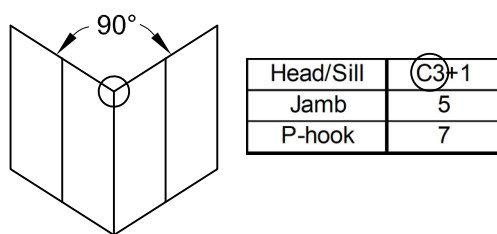
ANTHONY LYNN MILLER
LICENSE
No. 58705
08/08/22
STATE OF FLORIDA
PROFESSIONAL ENGINEER
A. LYNN MILLER, P.E.
P.E.# 58705

HEAD 90° CORNER CLUSTER ANCHORS LAYOUT (USING FIN ADDON):

HEAD 135° CORNER CLUSTER ANCHORS LAYOUT (USING FIN ADDON):

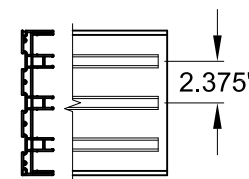


FIGURES PERTAIN TO THE FOLLOWING 90° CORNER HEAD ANCHOR LOCATIONS:

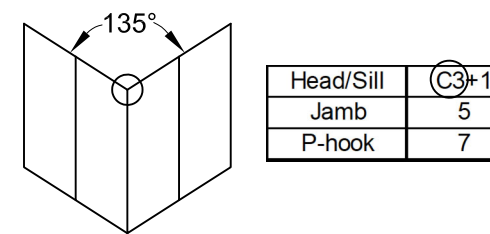


NOTES:

- 1) ALL DIMENSIONS SHOWN ARE BASED ON MINIMUM ALLOWED.
- 2) DETAILS DEPICT ANCHOR QUANTITY AND SPACING, AND WOULD BE SIMILAR FOR OUTSIDE (SHOWN) AND INSIDE CORNER CONFIGURATIONS.
- 3) TRACK-TO-TRACK DISTANCE IS 2.375" FOR ALL HEADS:



FIGURES PERTAIN TO THE FOLLOWING 135° CORNER HEAD ANCHOR LOCATIONS:

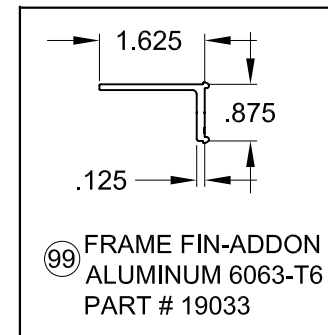
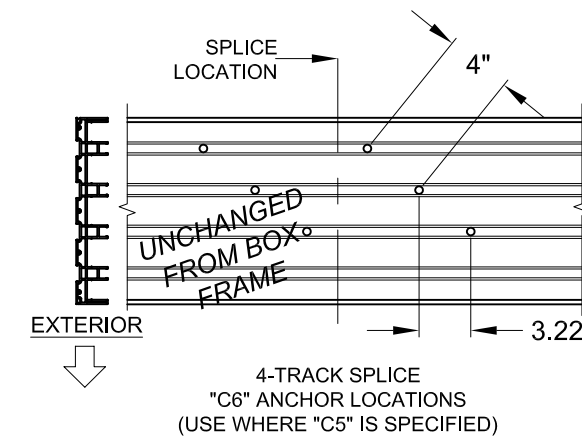
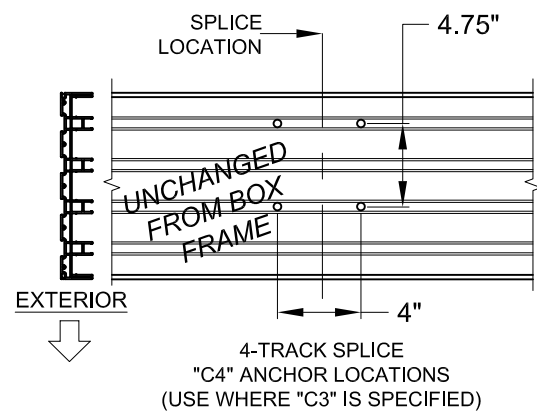
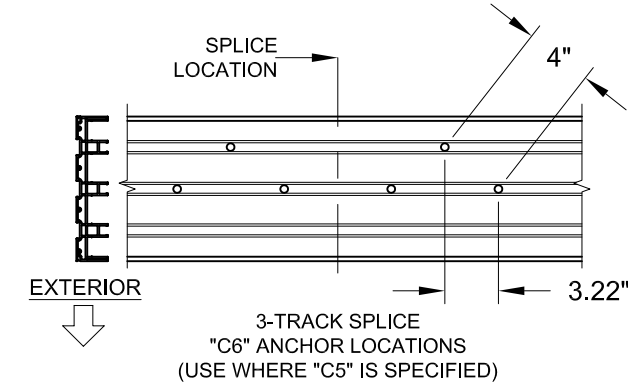
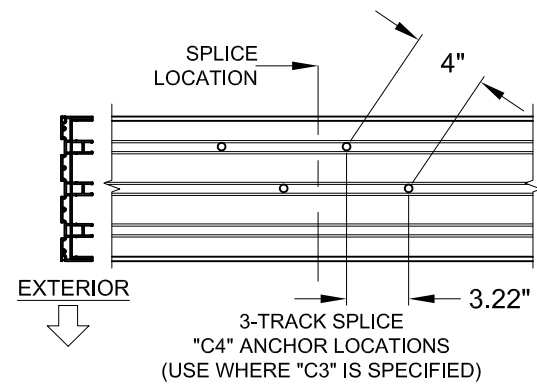
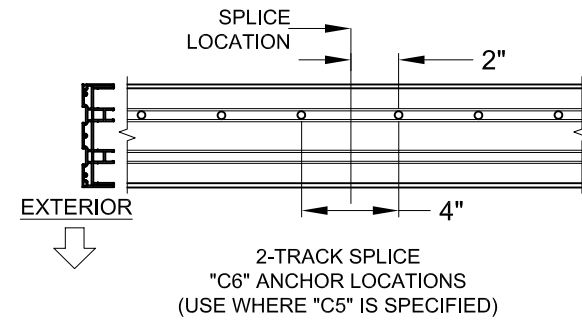
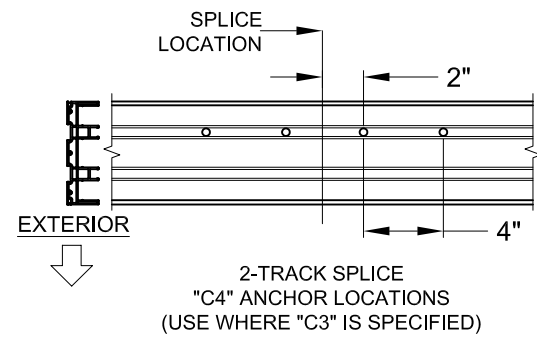


PREPARED BY A. LYNN MILLER 1070 TECHNOLOGY DRIVE N. VENICE, FL 34275 (941) 480-1600	REGISTRATION #29296 COPYRIGHT © 2022 PGT, INC., LIMITED LICENSE TO MAKE COPIES FOR PERMITTING.	Date 06/12/11	Drawn By JENS ROSOWSKI	No. DWG 24 OF 25	Sheet SGD5570V
	VINYL SLIDING GLASS DOOR (LM) ANCHOR LOCATIONS - FIN	Title JENS ROSOWSKI	Series SGD5570FPA-LM		

ANTHONY LYNN MILLER
 LICENSE
 No. 58705
 08/08/22
 STATE OF FLORIDA
 PROFESSIONAL ENGINEER
 A. LYNN MILLER, P.E.
 P.E.# 58705

Rev. # 08/01/22
 Date
 UPDATED CERT. METHOD
 Rev.

HEAD SPLICE ANCHORS LAYOUT @ INTERLOCK OR ASTRAGAL (USING FIN ADDON):

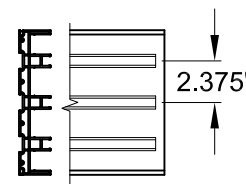


FIGURES PERTAIN TO THE FOLLOWING SPLICED HEAD ANCHOR LOCATIONS:

Head/Sill	(C3)+1
Jamb	5
P-hook	7

NOTES:

- 1) ALL DIMENSIONS SHOWN ARE BASED ON MINIMUM ALLOWED.
- 2) DETAILS DEPICT ANCHOR QUANTITY AND SPACING, AND WOULD BE SIMILAR FOR OUTSIDE (SHOWN) AND INSIDE CORNER CONFIGURATIONS.
- 3) TRACK-TO-TRACK DISTANCE IS 2.375" FOR ALL HEADS:



Rev. # 08/01/22
Date
Updated Cert. Method
C

PREPARED BY A. LYNN MILLER 1070 TECHNOLOGY DRIVE N. VENICE, FL 34275 (941) 480-1600	REGISTRATION #29296 COPYRIGHT © 2022 PGT, INC., LIMITED LICENSE TO MAKE COPIES FOR PERMITTING.	Date 06/12/11	Drawn By JENS ROSOWSKI	No. 25 OF 25	DWG SGD5570FPA-LM
	1070 TECHNOLOGY DRIVE N. VENICE, FL 34275 (941) 480-1600	VINYL SLIDING GLASS DOOR (LM)	Series SGD5570V	Desc. ANCHOR LOCATIONS - FIN	Sheet 25 OF 25

ANTHONY LYNN MILLER
LICENSE
No. 58705
08/08/22
STATE OF FLORIDA
PROFESSIONAL ENGINEER
A. LYNN MILLER, P.E.
P.E.# 58705