

REVISIONS			
REV	DESCRIPTION	DATE	APPROVED
A	CHANGE MANUFACTURER'S NAME	04/06/2023	R.L.

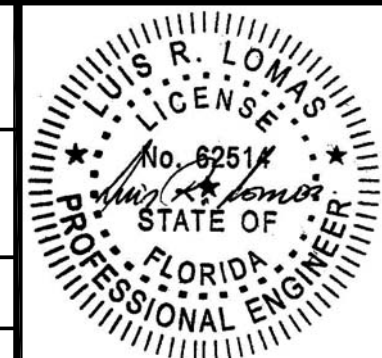
NOTES:

1. THE PRODUCT SHOWN HEREIN IS DESIGNED AND MANUFACTURED TO COMPLY WITH REQUIREMENTS OF THE FLORIDA BUILDING CODE INCLUDING THE HVHZ.
2. WOOD FRAMING AND MASONRY OPENING TO BE DESIGNED AND ANCHORED TO PROPERLY TRANSFER ALL LOADS TO STRUCTURE. FRAMING AND MASONRY OPENING IS THE RESPONSIBILITY OF THE ARCHITECT OR ENGINEER OF RECORD.
3. SHIM AS REQUIRED AT EACH ANCHOR LOCATION WITH LOAD BEARING SHIM. SHIM WHERE SPACE OF 1/16" OR GREATER OCCURS. MAXIMUM ALLOWABLE SHIM STACK TO BE 1/2".
4. SHIMS SHALL BE LOCATED, APPLIED AND MADE FROM MATERIALS AND THICKNESS CAPABLE OF SUSTAINING APPLICABLE LOADS.
5. WIND LOAD DURATION FACTOR Cd=1.6 WAS USED FOR WOOD ANCHOR CALCULATIONS.
6. FRAME MATERIAL: EXTRUDED ALUMINUM 6063-T6.
7. UNITS MUST BE GLAZED PER ASTM E1300, SEE SHEET 9 FOR GLASS DETAILS.
8. APPROVED IMPACT PROTECTIVE SYSTEM IS NOT REQUIRED FOR THIS PRODUCT IN WIND BORNE DEBRIS REGIONS WHEN INSTALLED AT 30FT OR HIGHER ABOVE GROUND LEVEL.
9. FOR ANCHORING INTO WOOD FRAMING OR 2X BUCK USE 1/2" LAG SCREWS WITH SUFFICIENT LENGTH TO ACHIEVE A 2" MINIMUM EMBEDMENT INTO SUBSTRATE. LOCATE ANCHORS AS SHOWN IN ELEVATIONS AND INSTALLATION DETAILS.
10. FOR ANCHORING INTO GROUT FILLED MASONRY OR CONCRETE USE 1/2" WEDGE BOLTS WITH SUFFICIENT LENGTH TO ACHIEVE A 3 1/2" MINIMUM EMBEDMENT INTO SUBSTRATE WITH 6" MINIMUM EDGE DISTANCE. LOCATE ANCHORS AS SHOWN IN ELEVATIONS AND INSTALLATION DETAILS.
11. FOR ANCHORING INTO METAL STRUCTURE USE 1/2-13 SMS WITH LOCKWASHER AND NUT. LOCATE ANCHORS AS SHOWN IN ELEVATIONS AND INSTALLATION DETAILS.
12. ALL FASTENERS TO BE CORROSION RESISTANT.
13. INSTALLATION ANCHORS SHALL BE INSTALLED IN ACCORDANCE WITH ANCHOR MANUFACTURER'S INSTALLATION INSTRUCTIONS AND ANCHORS SHALL NOT BE USED IN SUBSTRATES WITH STRENGTHS LESS THAN THE MINIMUM STRENGTH SPECIFIED BELOW:
 - A. WOOD: MINIMUM SPECIFIC GRAVITY OF G=0.42
 - B. CONCRETE: MINIMUM COMPRESSIVE STRENGTH OF 2,000 PSI.
 - C. MASONRY: GROUT FILLED BLOCK PER ASTM C90 WITH Fm=2,000PSI MINIMUM.
 - D. METAL STRUCTURE: STEEL 1/4" THICK MINIMUM FY=33KSI/FU=52KSI

TABLE OF CONTENTS	
SHEET NO.	DESCRIPTION
1	NOTES
2 - 4	ELEVATIONS AND RATING CHARTS
5 - 8	CROSS SECTIONS
9	GLAZING DETAILS
10 - 21	INSTALLATION DETAILS
22 - 24	COMPONENTS

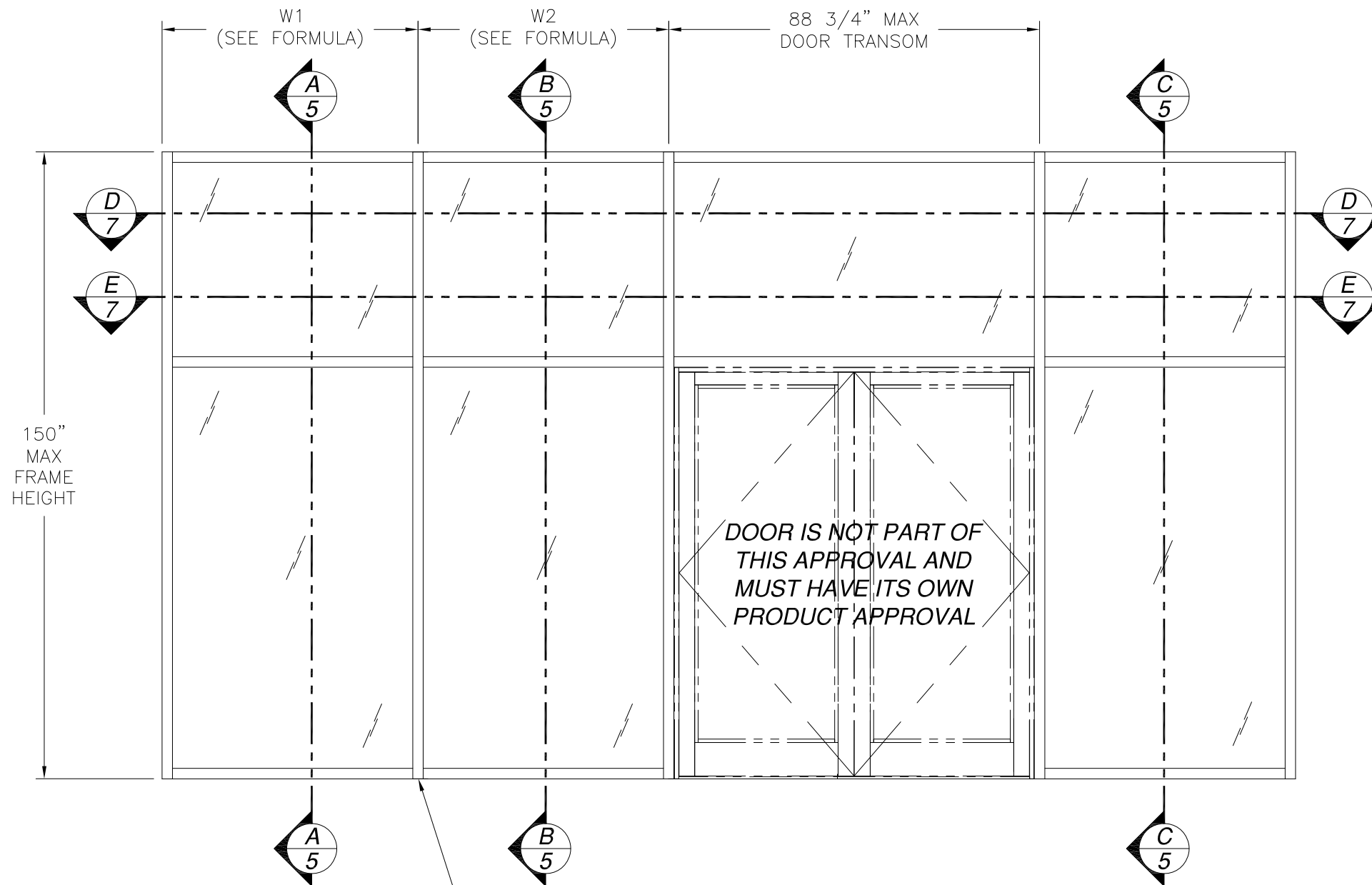
US ALUMINUM 950 SOLON RD. WAXAHACHIE, TX 75165		
STORM WALL XL HURRICANE RESISTANT CURTAIN WALL - WET GLAZED - SMI HVHZ NOTES		
DRAWN: R.L.	DWG NO. 08-03021	REV A
SCALE NTS	DATE 12/07/16	SHEET 1 OF 24
L. ROBERTO LOMAS P.E. 400 S. PALM AVE, INDIALANTIC, FL 32903 434-688-0609 rllomas@lrlomaspe.com		

SIGNED: 04/06/2023



Luis R. Lomas P.E.
FL No.: 62514

REVISIONS			
REV	DESCRIPTION	DATE	APPROVED
A	CHANGE MANUFACTURER'S NAME	04/06/2023	R.L.



- PROCEDURE TO DETERMINE RATING:**
1. DETERMINE TRIBUTARY WIDTH PER FORMULA BELOW
 2. SELECT JAMB AND MULLION PROFILES TO BE USED FROM SHEET 7.
 3. REFER TO CHARTS IN SHEET 4 TO DETERMINE RATINGS FOR JAMB AND MULLION SELECTED IN STEP 2.
 4. DETERMINE THE TYPE OF ANCHOR CLIP AND SUBSTRATE WHERE PRODUCT IS TO BE INSTALLED. SEE SHEETS 10 - 17
 5. REFER TO CHARTS IN SHEETS 18 AND 19 TO DETERMINE RATING OF ANCHORING SELECTED IN STEP 4.
 6. SELECT GLASS TO BE USED, REFER TO SHEET 9
 7. REFER TO CHART #5 IN SHEET 9 TO DETERMINE RATING OF GLASS SELECTED IN STEP 6.
 8. THE MINIMUM OF ALL RATINGS WILL DETERMINE THE RATING OF THE TOTAL PRODUCT.

$$\text{TRIBUTARY WIDTH} = \frac{W1 + W2}{2}$$

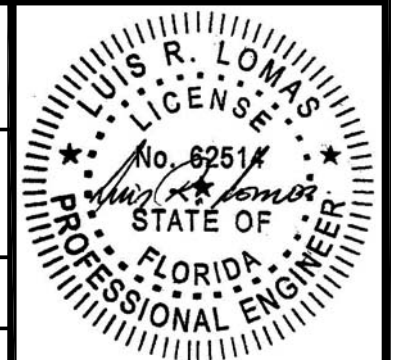
DOOR IS NOT PART OF THIS APPROVAL AND MUST HAVE ITS OWN PRODUCT APPROVAL

FOR ANCHORING
SEE DETAILS
IN SHEETS 11-18
TYP

STORM WALL XL HURRICANE RESISTANT CURTAIN WALL
SINGLE SPAN
 EXTERIOR VIEW
 UNLIMITED NUMBER OF PANELS IS ALLOWED AS LONG AS INDIVIDUAL PANELS
 AREA DO NOT EXCEED 52.25 FT²
 AND USE VERTICAL CONDITIONS AS SHOWN

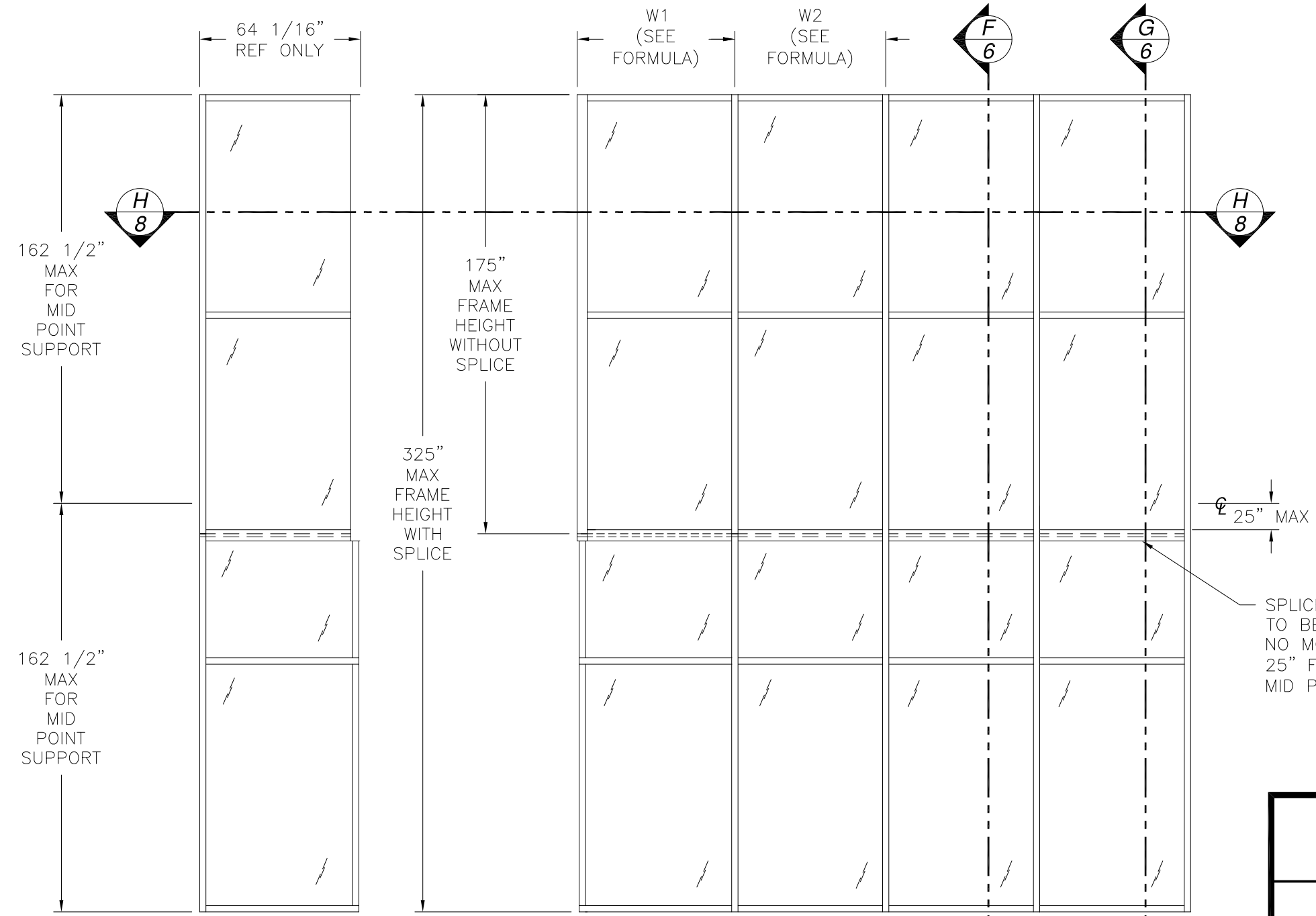
SIGNED: 04/06/2023

US ALUMINUM 950 SOLON RD. WAXAHACHIE, TX 75165		
STORM WALL XL HURRICANE RESISTANT CURTAIN WALL - WET GLAZED - SMI HVHZ SINGLE SPAN ELEVATION		
DRAWN: R.L.	DWG NO. 08-03021	REV A
SCALE NTS	DATE 12/07/16	SHEET 2 OF 24
L. ROBERTO LOMAS P.E. 400 S. PALM AVE, INDIALANTIC, FL 32903 434-688-0609 rllomas@rlomaspe.com		



Luis R. Lomas P.E.
FL No.: 62514

REVISIONS			
REV	DESCRIPTION	DATE	APPROVED
A	CHANGE MANUFACTURER'S NAME	04/06/2023	R.L.



- PROCEDURE TO DETERMINE RATING:**
1. DETERMINE TRIBUTARY WIDTH PER FORMULA BELOW
 2. SELECT JAMB AND MULLION PROFILES TO BE USED FROM SHEET 7.
 3. REFER TO CHARTS IN SHEET 4 TO DETERMINE RATINGS FOR JAMB AND MULLION SELECTED IN STEP 2.
 4. DETERMINE THE TYPE OF ANCHOR CLIP AND SUBSTRATE WHERE PRODUCT IS TO BE INSTALLED. SEE SHEETS 10 - 17
 5. REFER TO CHARTS IN SHEETS 18 AND 19 TO DETERMINE RATING OF ANCHORING SELECTED IN STEP 4.
 6. SELECT GLASS TO BE USED, REFER TO SHEET 9
 7. REFER TO CHART #5 IN SHEET 9 TO DETERMINE RATING OF GLASS SELECTED IN STEP 6.
 8. THE MINIMUM OF ALL RATINGS WILL DETERMINE THE RATING OF THE TOTAL PRODUCT.

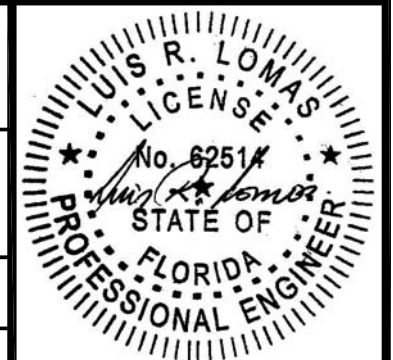
$$\text{TRIBUTARY WIDTH} = \frac{W1 + W2}{2}$$

⊕ 25" MAX
 SPLICE TO BE LOCATED NO MORE THAN 25" FROM MID POINT

STORM WALL XL TWIN SPAN
 EXTERIOR VIEW
 UNLIMITED NUMBER OF PANELS IS ALLOWED AS LONG AS INDIVIDUAL PANELS
 AREA DO NOT EXCEED 52.25 FT²
 AND USE VERTICAL CONDITIONS AS SHOWN

US ALUMINUM 950 SOLON RD. WAXAHACHIE, TX 75165		
STORM WALL XL HURRICANE RESISTANT CURTAIN WALL – WET GLAZED – SMI HVHZ TWIN SPAN ELEVATION		
DRAWN: R.L.	DWG NO. 08-03021	REV A
SCALE NTS	DATE 12/07/16	SHEET 3 OF 24
L. ROBERTO LOMAS P.E. 400 S. PALM AVE, INDIALANTIC, FL 32903 434-688-0609 rllomas@rlomaspe.com		

SIGNED: 04/06/2023



Luis R. Lomas P.E.
 FL No.: 62514

Chart #1
Design pressure for Mullion "A", "B" and "C" (psf)
Design pressure for Jamb "B" and "C" (psf)

Frame Height (in)	Design pressures are positive and negative								
	Tributary Width (in)								
	24.0	30.0	36.0	42.0	48.0	54.0	60.0	66.0	72.0
60.0	100.0	100.0	100.0	100.0	100.0	100.0	100.0	100.0	100.0
66.0	100.0	100.0	100.0	100.0	100.0	100.0	100.0	100.0	100.0
72.0	100.0	100.0	100.0	100.0	100.0	100.0	100.0	100.0	100.0
78.0	100.0	100.0	100.0	100.0	100.0	100.0	100.0	100.0	100.0
84.0	100.0	100.0	100.0	100.0	100.0	100.0	100.0	100.0	100.0
90.0	100.0	100.0	100.0	100.0	100.0	100.0	100.0	100.0	100.0
96.0	100.0	100.0	100.0	100.0	100.0	100.0	100.0	100.0	100.0
102.0	100.0	100.0	100.0	100.0	100.0	100.0	100.0	100.0	100.0
108.0	100.0	100.0	100.0	100.0	100.0	100.0	100.0	100.0	100.0
114.0	100.0	100.0	100.0	100.0	100.0	100.0	100.0	100.0	100.0
120.0	100.0	100.0	100.0	100.0	100.0	100.0	100.0	100.0	100.0
126.0	100.0	100.0	100.0	100.0	100.0	100.0	100.0	100.0	99.2
132.0	100.0	100.0	100.0	100.0	100.0	100.0	100.0	100.0	94.7
138.0	100.0	100.0	100.0	100.0	100.0	100.0	100.0	98.8	90.6
144.0	100.0	100.0	100.0	100.0	100.0	100.0	100.0	94.7	86.8
150.0	100.0	100.0	100.0	100.0	100.0	100.0	100.0	90.9	83.3

SMALL MISSILE IMPACT AND HVHZ

Chart #2
Design pressure for Mullion "D" (psf)
Design pressure for Jamb "A" (psf)

Frame Height (in)	Design pressures are positive and negative								
	Tributary Width (in)								
	24.0	30.0	36.0	42.0	48.0	54.0	60.0	66.0	72.0
60.0	65.0	65.0	65.0	65.0	65.0	65.0	65.0	65.0	65.0
66.0	65.0	65.0	65.0	65.0	65.0	65.0	65.0	65.0	65.0
72.0	65.0	65.0	65.0	65.0	65.0	65.0	65.0	65.0	60.2
78.0	65.0	65.0	65.0	65.0	65.0	65.0	65.0	60.6	55.6
84.0	65.0	65.0	65.0	65.0	65.0	65.0	61.9	56.3	51.6
90.0	65.0	65.0	65.0	65.0	65.0	64.2	57.8	52.5	48.2
96.0	65.0	65.0	65.0	65.0	65.0	60.2	54.2	49.3	45.1
102.0	65.0	65.0	65.0	65.0	63.7	56.7	51.0	46.4	42.5
108.0	65.0	65.0	65.0	65.0	57.4	51.1	46.0	41.8	38.3
114.0	65.0	65.0	65.0	55.8	48.8	43.4	39.1	35.5	32.6
120.0	65.0	65.0	55.8	47.9	41.9	37.2	33.5	30.5	27.9

SMALL MISSILE IMPACT AND HVHZ

Chart #3
Design pressure for Mullion "A", "B" and "G" (psf)
Design pressure for Jamb "C" and Corner (psf)

Frame Height (in)	Design pressures are positive and negative								
	Tributary Width (in)								
	24.0	30.0	36.0	42.0	48.0	54.0	60.0	66.0	72.0
60.0	100.0	100.0	100.0	100.0	100.0	100.0	100.0	100.0	100.0
66.0	100.0	100.0	100.0	100.0	100.0	100.0	100.0	100.0	100.0
72.0	100.0	100.0	100.0	100.0	100.0	100.0	100.0	100.0	100.0
78.0	100.0	100.0	100.0	100.0	100.0	100.0	100.0	100.0	100.0
84.0	100.0	100.0	100.0	100.0	100.0	100.0	100.0	100.0	100.0
90.0	100.0	100.0	100.0	100.0	100.0	100.0	100.0	100.0	100.0
96.0	100.0	100.0	100.0	100.0	100.0	100.0	100.0	100.0	100.0
102.0	100.0	100.0	100.0	100.0	100.0	100.0	100.0	100.0	100.0
108.0	100.0	100.0	100.0	100.0	100.0	100.0	100.0	100.0	100.0
114.0	100.0	100.0	100.0	100.0	100.0	100.0	100.0	100.0	100.0
120.0	100.0	100.0	100.0	100.0	100.0	100.0	100.0	100.0	100.0
126.0	100.0	100.0	100.0	100.0	100.0	100.0	100.0	100.0	100.0
132.0	100.0	100.0	100.0	100.0	100.0	100.0	100.0	100.0	100.0
138.0	100.0	100.0	100.0	100.0	100.0	100.0	100.0	100.0	100.0
144.0	100.0	100.0	100.0	100.0	100.0	100.0	100.0	100.0	100.0
150.0	100.0	100.0	100.0	100.0	100.0	100.0	100.0	100.0	97.2
156.0	100.0	100.0	100.0	100.0	100.0	100.0	100.0	100.0	93.5
162.0	100.0	100.0	100.0	100.0	100.0	100.0	100.0	98.2	90.0
168.0	100.0	100.0	100.0	100.0	100.0	100.0	100.0	94.7	86.8
174.0	100.0	100.0	100.0	100.0	100.0	100.0	100.0	91.4	83.8
175.0	100.0	100.0	100.0	100.0	100.0	100.0	100.0	90.9	83.3

SMALL MISSILE IMPACT AND HVHZ
 FULL LENGTH WITHOUT SPLICE

Chart #4
Design pressure for Mullion "A", "B" and "G" with splice (psf)
Design pressure for Jamb "C" and Corner with splice (psf)

Frame Height (in)	Design pressures are positive and negative								
	Tributary Width (in)								
	24.0	30.0	36.0	42.0	48.0	54.0	60.0	66.0	72.0
210.0	100.0	100.0	100.0	100.0	100.0	100.0	100.0	100.0	100.0
216.0	100.0	100.0	100.0	100.0	100.0	100.0	100.0	100.0	100.0
222.0	100.0	100.0	100.0	100.0	100.0	100.0	100.0	100.0	100.0
228.0	100.0	100.0	100.0	100.0	100.0	100.0	100.0	100.0	100.0
234.0	100.0	100.0	100.0	100.0	100.0	100.0	100.0	100.0	100.0
240.0	100.0	100.0	100.0	100.0	100.0	100.0	100.0	100.0	100.0
246.0	100.0	100.0	100.0	100.0	100.0	100.0	100.0	100.0	100.0
252.0	100.0	100.0	100.0	100.0	100.0	100.0	100.0	100.0	100.0
258.0	100.0	100.0	100.0	100.0	100.0	100.0	100.0	100.0	100.0
264.0	100.0	100.0	100.0	100.0	100.0	100.0	100.0	100.0	100.0
270.0	100.0	100.0	100.0	100.0	100.0	100.0	100.0	100.0	100.0
276.0	100.0	100.0	100.0	100.0	100.0	100.0	100.0	100.0	98.1
282.0	100.0	100.0	100.0	100.0	100.0	100.0	100.0	100.0	96.0
288.0	100.0	100.0	100.0	100.0	100.0	100.0	100.0	100.0	94.0
294.0	100.0	100.0	100.0	100.0	100.0	100.0	100.0	100.0	92.1
300.0	100.0	100.0	100.0	100.0	100.0	100.0	100.0	98.5	90.3
306.0	100.0	100.0	100.0	100.0	100.0	100.0	100.0	96.6	88.5
312.0	100.0	100.0	100.0	100.0	100.0	100.0	100.0	94.7	86.8
318.0	100.0	100.0	100.0	100.0	100.0	100.0	100.0	92.9	85.2
324.0	100.0	100.0	100.0	100.0	100.0	100.0	100.0	91.2	83.6
325.0	100.0	100.0	100.0	100.0	100.0	100.0	100.0	90.9	83.3

SMALL MISSILE IMPACT AND HVHZ
 FULL LENGTH WITH SUPPORT AT MIDDLE POINT AND SPLICE
 DISTANCE BETWEEN SPLICE AND MID POINT MUST NOT EXCEED 25"

REVISIONS			
REV	DESCRIPTION	DATE	APPROVED
A	CHANGE MANUFACTURER'S NAME	04/06/2023	R.L.

SIGNED: 04/06/2023

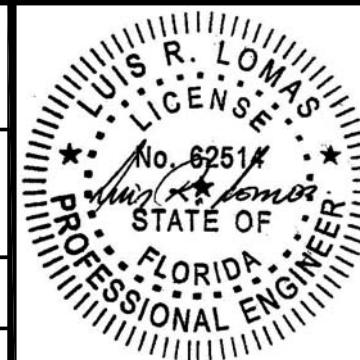
US ALUMINUM
 950 SOLON RD.
 WAXAHACHIE, TX 75165

STORM WALL XL HURRICANE RESISTANT
 CURTAIN WALL – WET GLAZED – SMI HVHZ
 MULLION AND JAMB CHARTS

DRAWN: R.L. DWG NO. 08-03021 REV A

SCALE NTS DATE 12/07/16 SHEET 4 OF 24

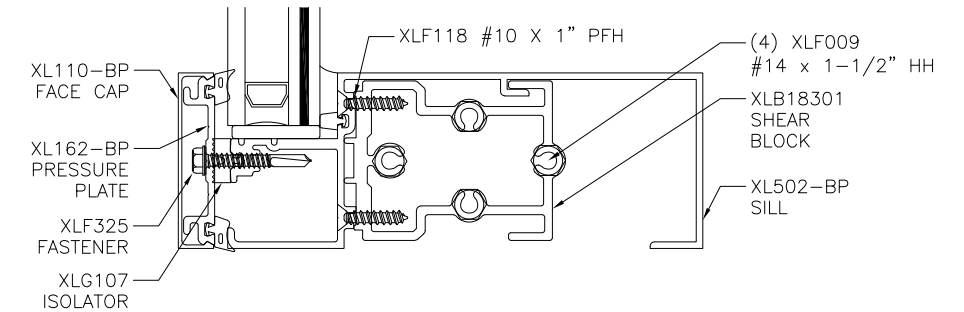
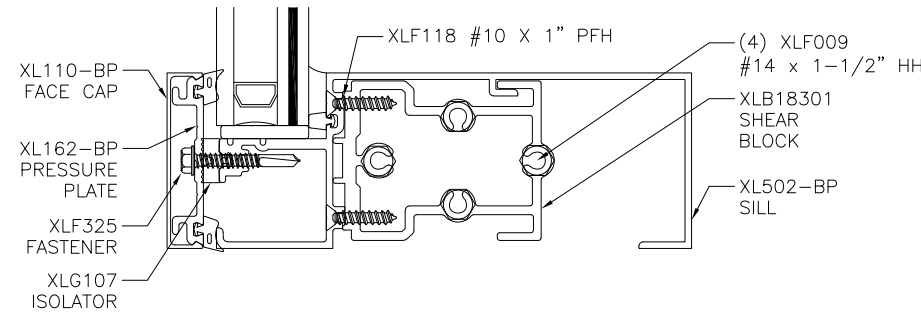
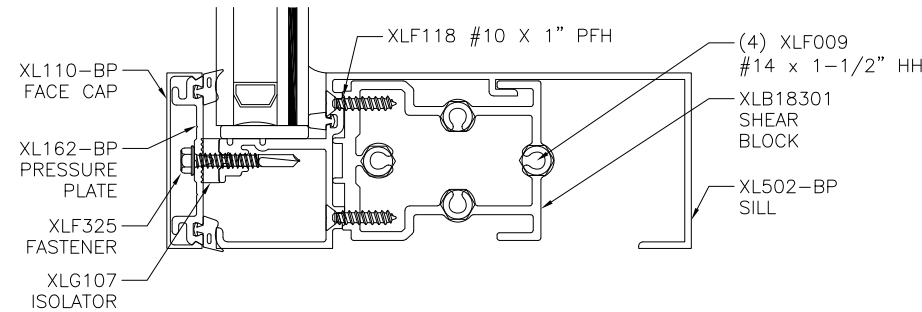
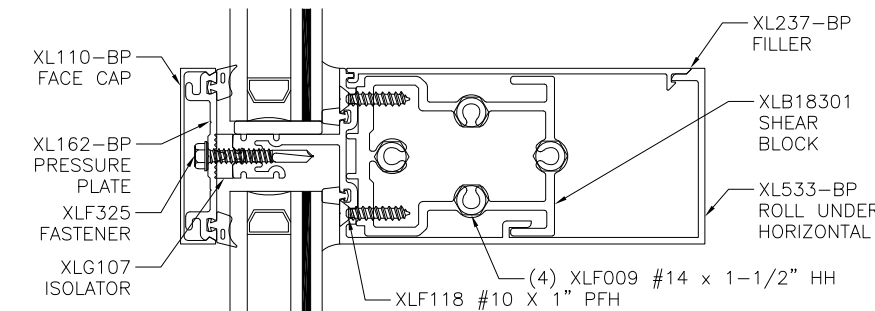
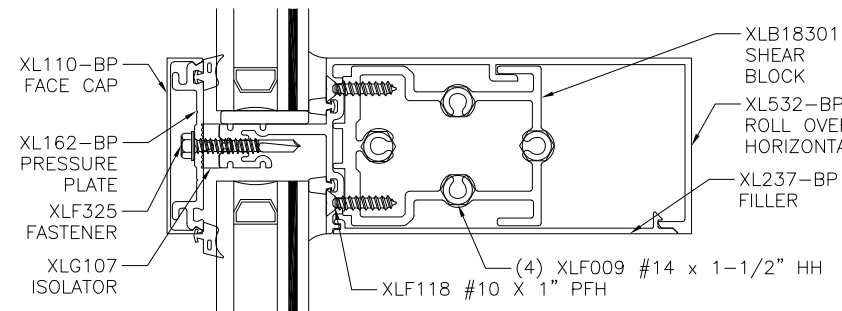
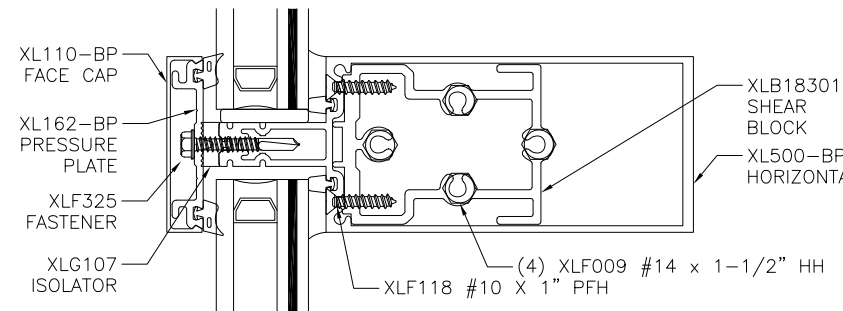
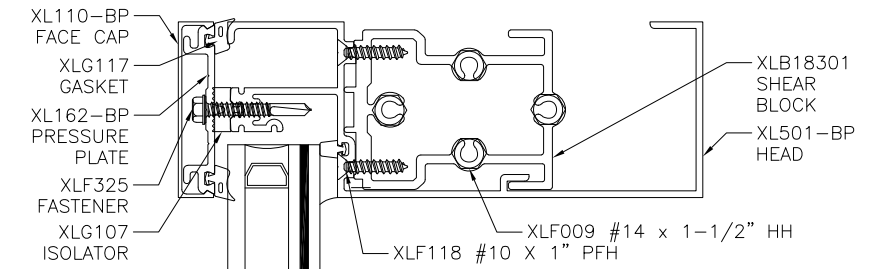
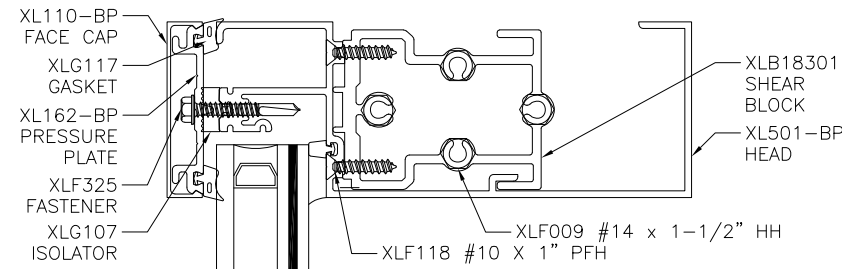
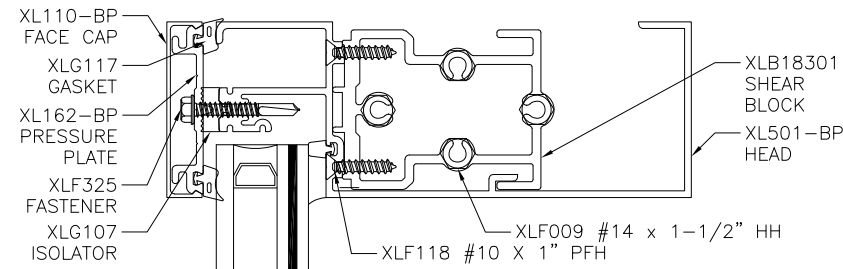
L. ROBERTO LOMAS P.E.
 400 S. PALM AVE, INDIALANTIC, FL 32903
 434-688-0609 rllomas@rlomaspe.com



Luis R. Lomas P.E.
 FL No.: 62514

FOR ILLUSTRATION PURPOSES ONLY
FOR INSTALLATION DETAILS SEE SHEETS 10 - 17

REVISIONS			
REV	DESCRIPTION	DATE	APPROVED
A	CHANGE MANUFACTURER'S NAME	04/06/2023	R.L.



A
5 VERTICAL CROSS SECTION

B
5 VERTICAL CROSS SECTION

C
5 VERTICAL CROSS SECTION

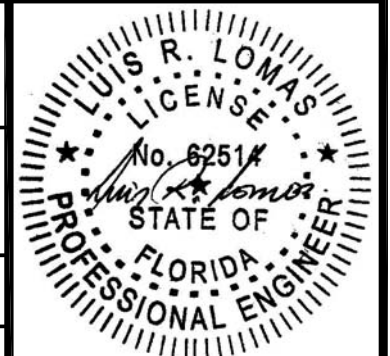
SIGNED: 04/06/2023

US ALUMINUM
 950 SOLON RD.
 WAXAHACHIE, TX 75165

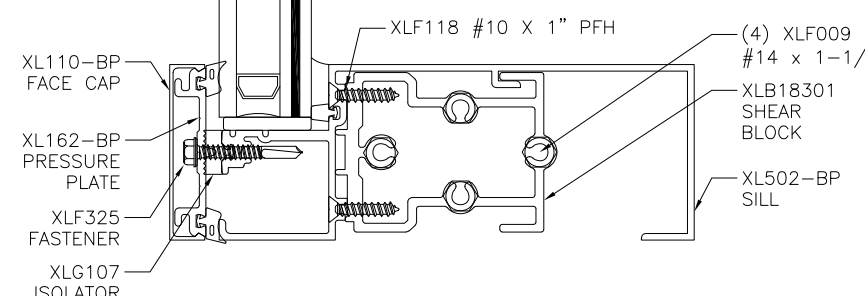
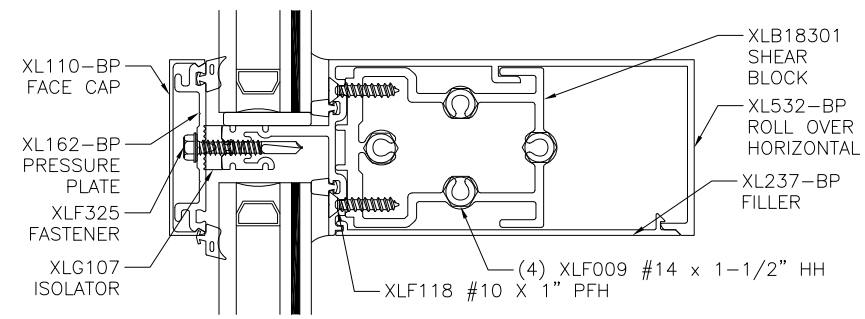
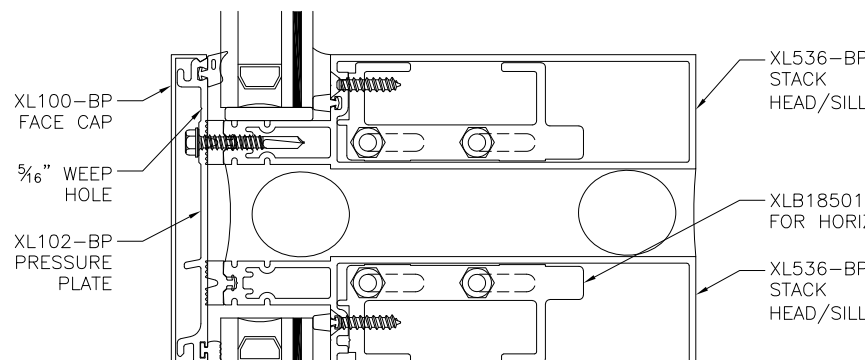
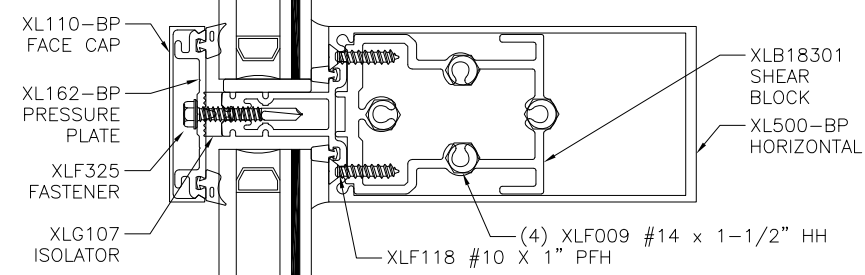
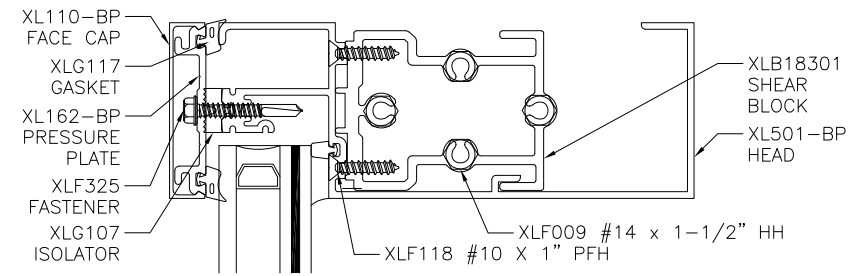
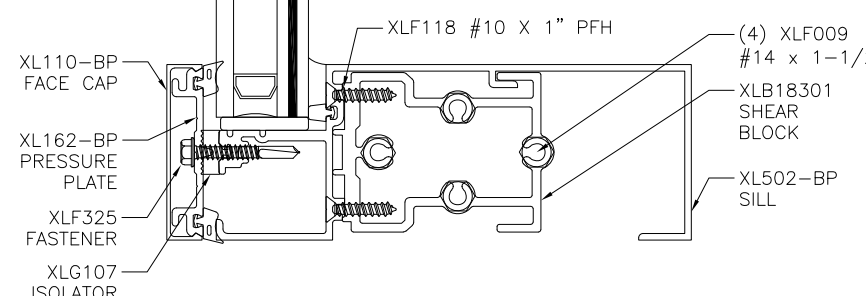
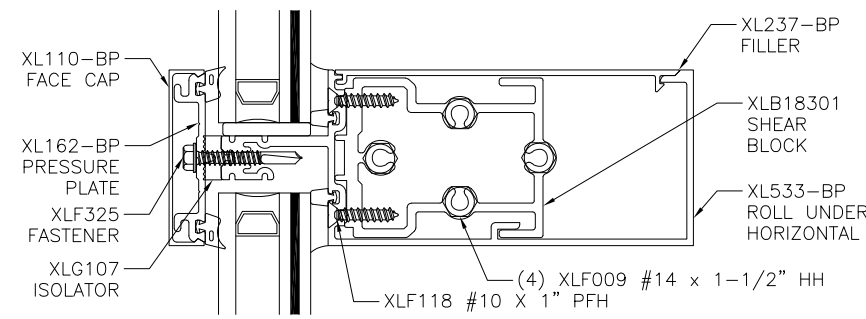
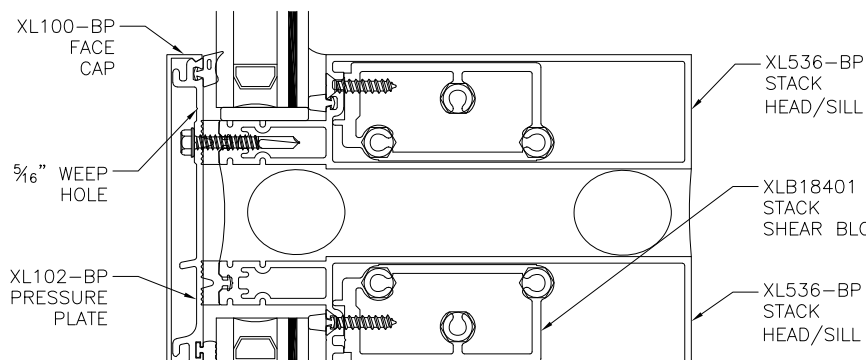
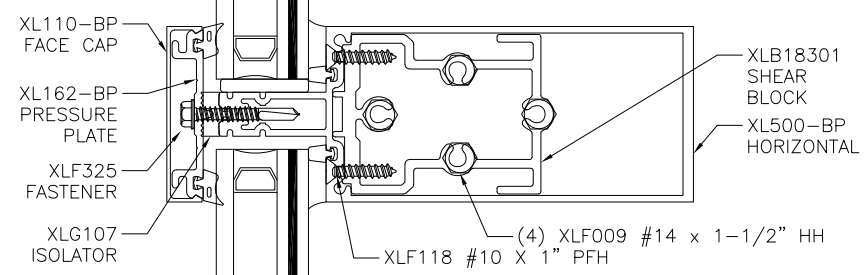
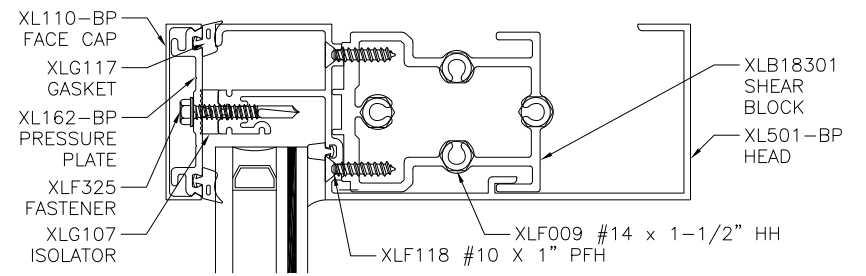
STORM WALL XL HURRICANE RESISTANT
 CURTAIN WALL - WET GLAZED - SMI HVHZ
 VERTICAL CROSS SECTIONS

DRAWN: R.L.	DWG NO. 08-03021	REV A
SCALE NTS	DATE 12/07/16	SHEET 5 OF 24

L. ROBERTO LOMAS P.E.
 400 S. PALM AVE, INDIAN LANTIC, FL 32903
 434-688-0609 rllomas@rlomaspe.com



Luis R. Lomas P.E.
 FL No.: 62514



F/6 VERTICAL CROSS SECTION

G/6 VERTICAL CROSS SECTION

**FOR ILLUSTRATION PURPOSES ONLY
FOR INSTALLATION DETAILS SEE SHEETS 10 - 17**

REVISIONS			
REV	DESCRIPTION	DATE	APPROVED
A	CHANGE MANUFACTURER'S NAME	04/06/2023	R.L.

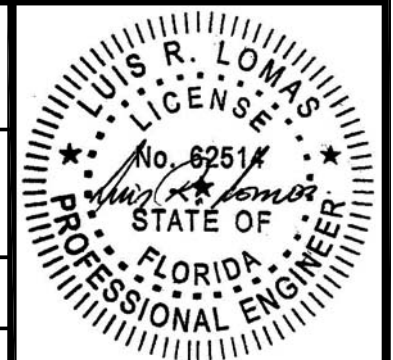
US ALUMINUM
950 SOLON RD.
WAXAHACHIE, TX 75165

STORM WALL XL HURRICANE RESISTANT
CURTAIN WALL - WET GLAZED - SMI HVHZ
VERTICAL CROSS SECTIONS

DRAWN: R.L.	DWG NO. 08-03021	REV A
SCALE NTS	DATE 12/07/16	SHEET 6 OF 24

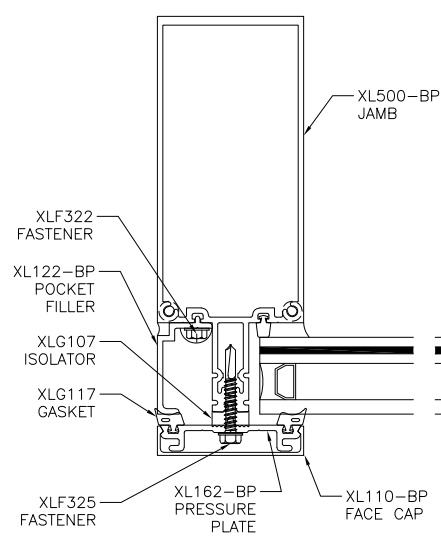
L. ROBERTO LOMAS P.E.
400 S. PALM AVE, INDIALANTIC, FL 32903
434-688-0609 rllomas@rlomaspe.com

SIGNED: 04/06/2023

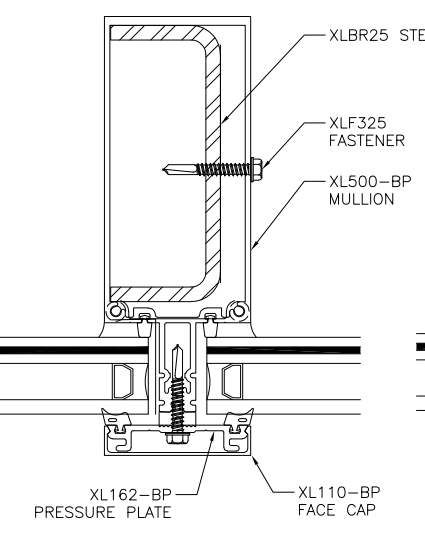


Luis R. Lomas P.E.
FL No.: 62514

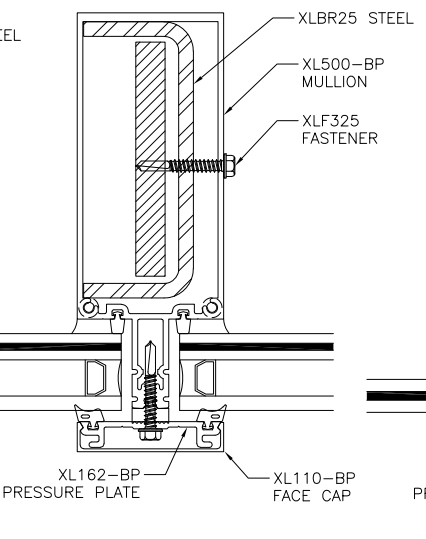
REVISIONS			
REV	DESCRIPTION	DATE	APPROVED
A	CHANGE MANUFACTURER'S NAME	04/06/2023	R.L.



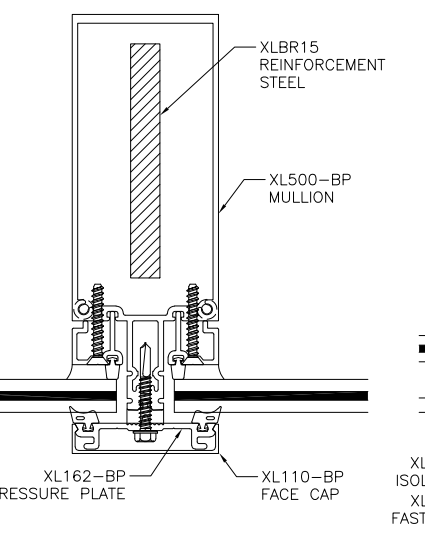
JAMB "A"
FOR RATINGS SEE CHART #2
SHEET 4



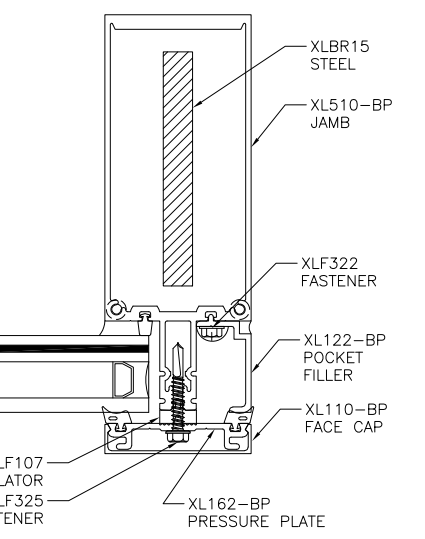
MULLION "A"
FOR RATINGS SEE CHART #1
SHEET 4



MULLION "B"
FOR RATINGS SEE CHART #1
SHEET 4

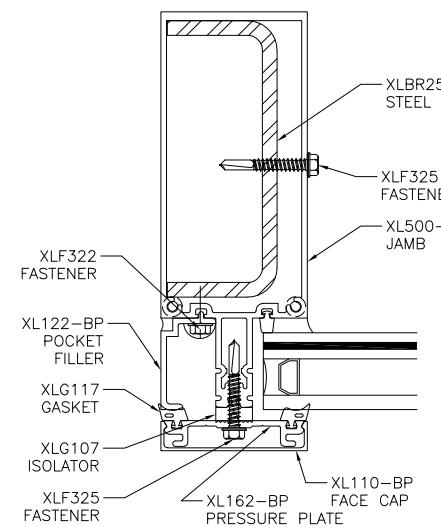


MULLION "C"
FOR RATINGS SEE CHART #1
SHEET 4

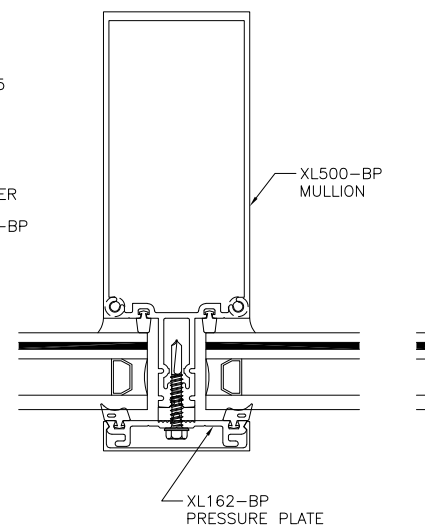


JAMB "B"
FOR RATINGS SEE CHART #1
SHEET 4

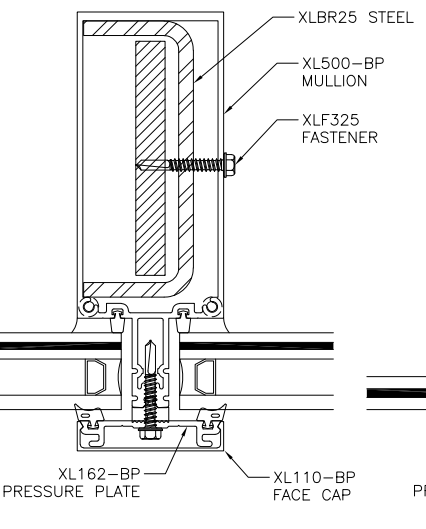
D
7 **HORIZONTAL CROSS SECTION**



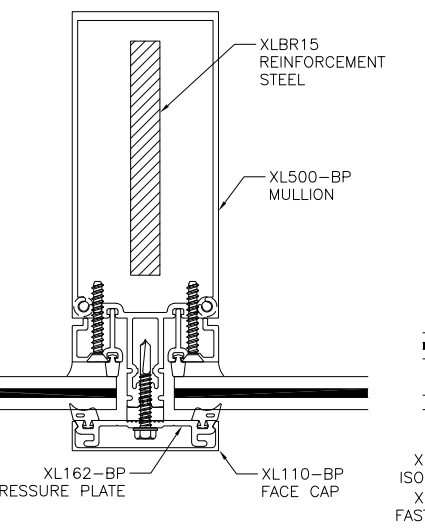
JAMB "C"
FOR RATINGS SEE CHART #1
SHEET 4



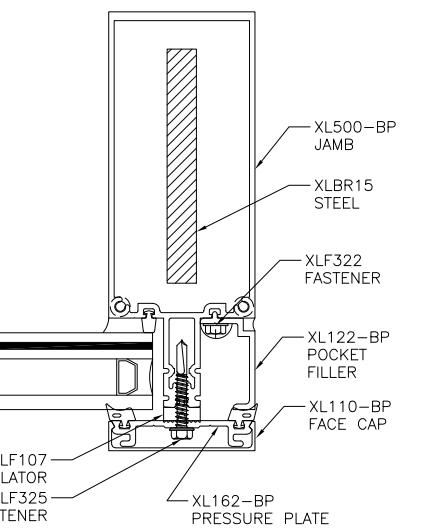
MULLION "D"
FOR RATINGS SEE CHART #2
SHEET 4



MULLION "B"
FOR RATINGS SEE CHART #1
SHEET 4



MULLION "C"
FOR RATINGS SEE CHART #1
SHEET 4



JAMB "D"
FOR RATINGS SEE CHART #1
SHEET 4

E
7 **HORIZONTAL CROSS SECTION**

FOR ILLUSTRATION PURPOSES ONLY
FOR INSTALLATION DETAILS SEE SHEETS 10 - 17

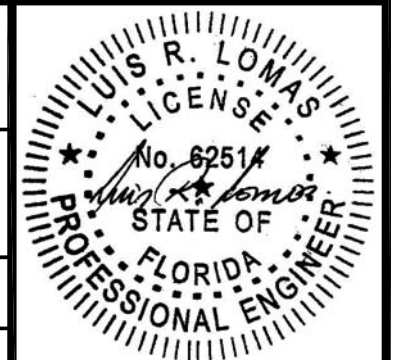
SIGNED: 04/06/2023

US ALUMINUM
950 SOLON RD.
WAXAHACHIE, TX 75165

STORM WALL XL HURRICANE RESISTANT
CURTAIN WALL - WET GLAZED - SMI HVHZ
HORIZONTAL CROSS SECTIONS

DRAWN: R.L.	DWG NO. 08-03021	REV A
SCALE NTS	DATE 12/07/16	SHEET 7 OF 24

L. ROBERTO LOMAS P.E.
400 S. PALM AVE, INDIAN LANTIC, FL 32903
434-688-0609 rllomas@rlomaspe.com

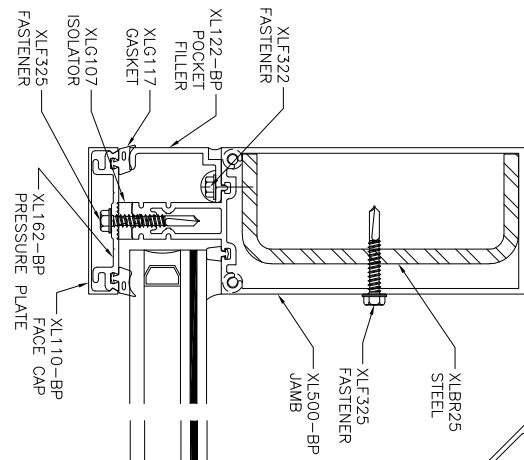


Luis R. Lomas P.E.
FL No.: 62514

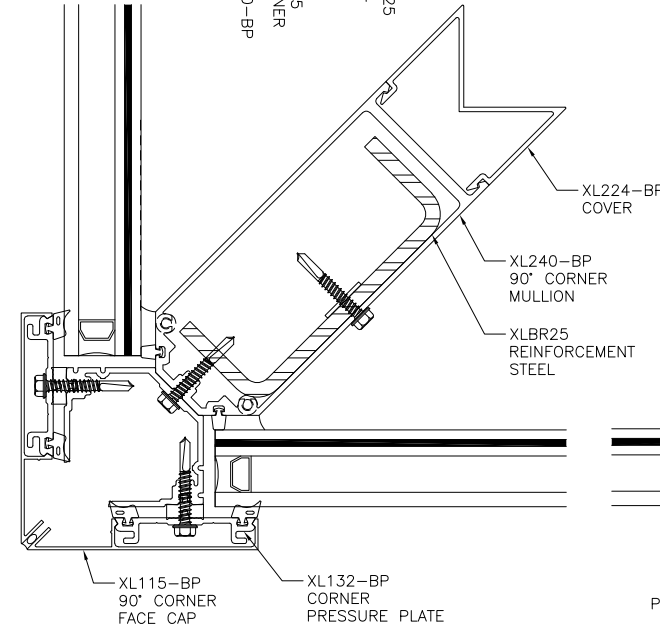
FOR ILLUSTRATION PURPOSES ONLY
FOR INSTALLATION DETAILS SEE SHEETS 10 - 17

REVISIONS			
REV	DESCRIPTION	DATE	APPROVED
A	CHANGE MANUFACTURER'S NAME	04/06/2023	R.L.

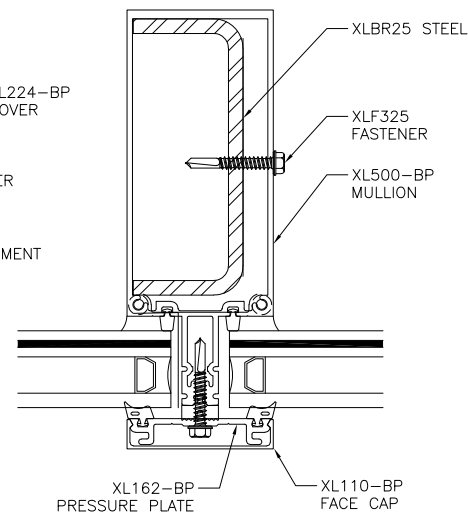
JAMB "C"
FOR RATINGS
SEE
CHARTS #5 & #6
SHEET 4



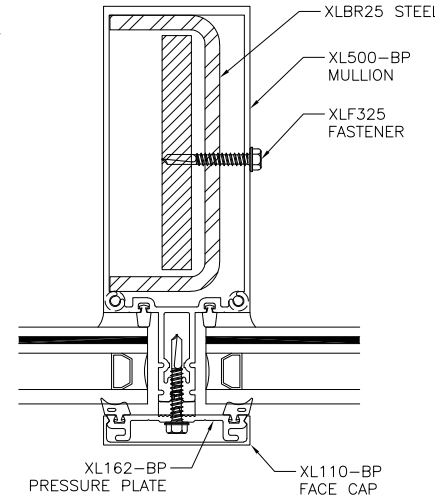
CORNER MULLION
FOR RATINGS SEE CHARTS #3 & #4



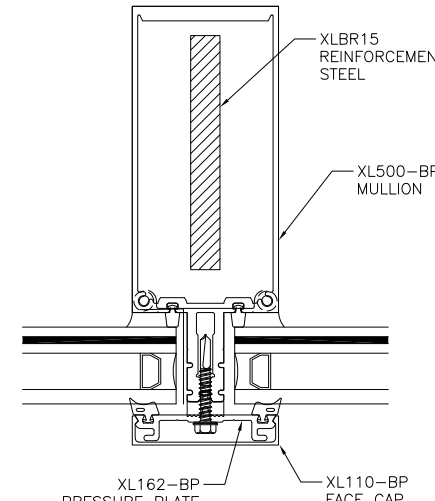
MULLION "A"
FOR RATINGS SEE CHARTS #3 & #4



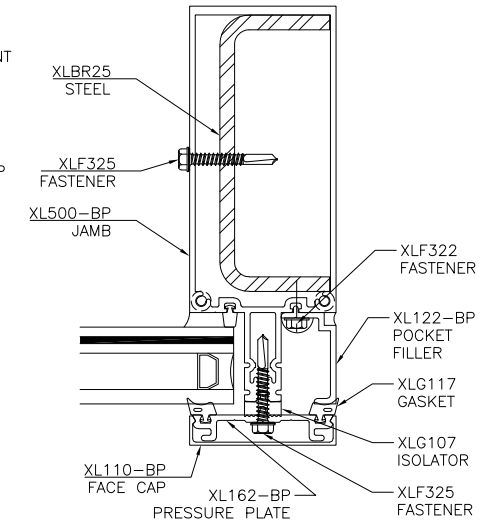
MULLION "B"
FOR RATINGS SEE CHARTS #3 & #4



MULLION "G"
FOR RATINGS SEE CHARTS #3 & #4



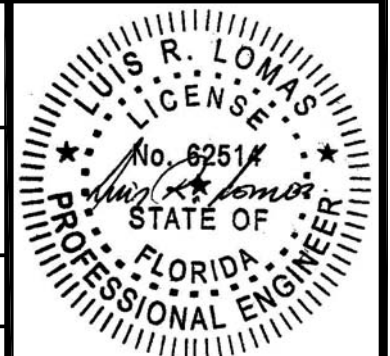
JAMB "C"
FOR RATINGS SEE CHARTS #3 & #4



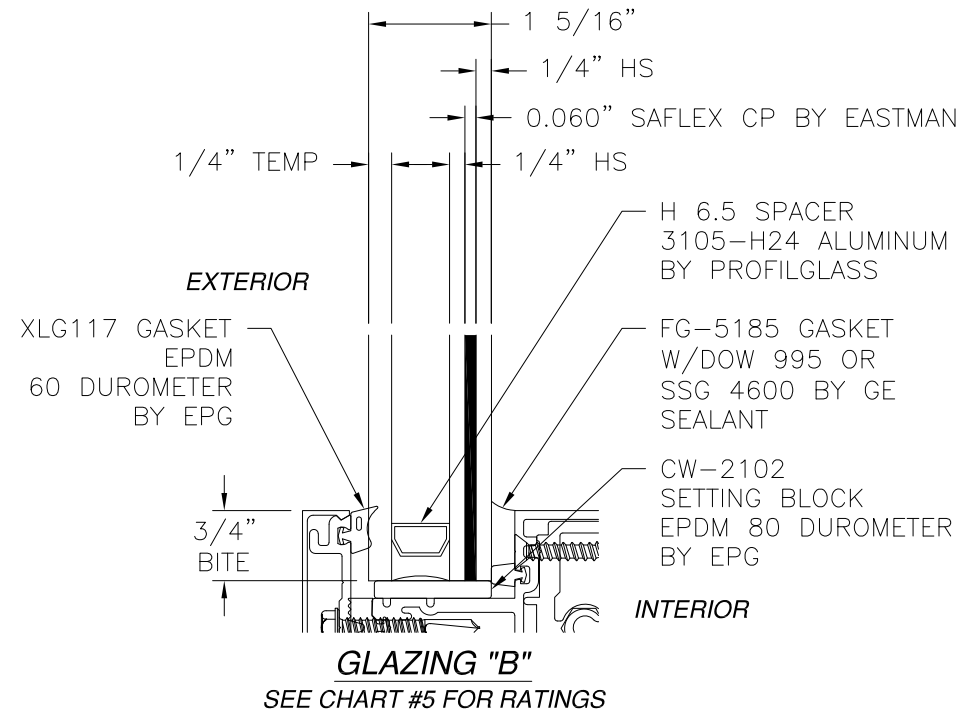
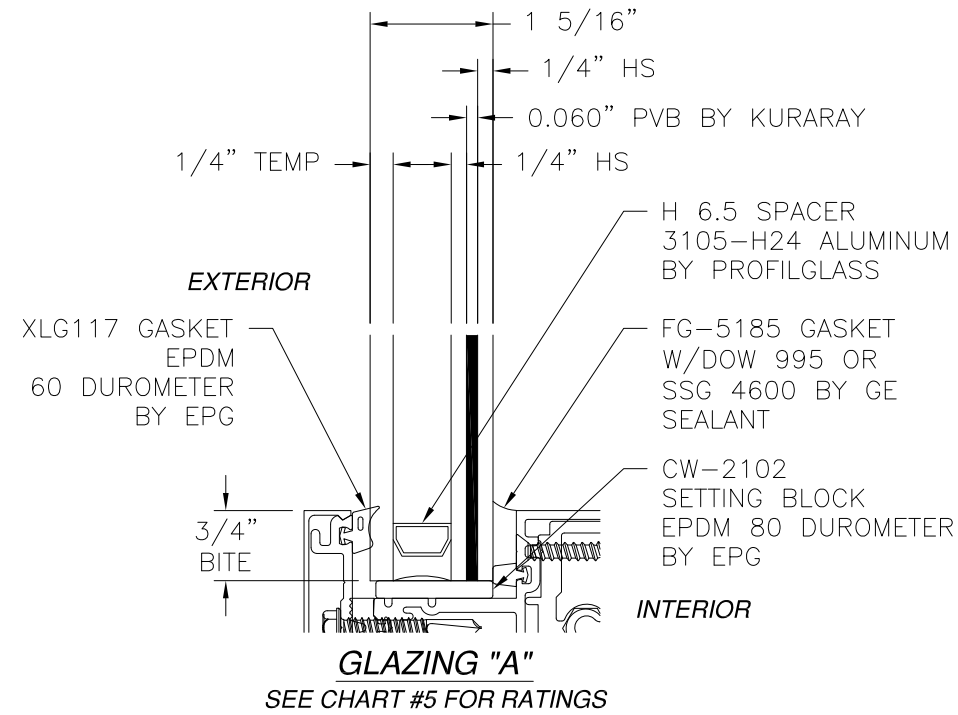
H
8 **HORIZONTAL CROSS SECTION**

SIGNED: 04/06/2023

US ALUMINUM 950 SOLON RD. WAXAHACHIE, TX 75165		
STORM WALL XL HURRICANE RESISTANT CURTAIN WALL - WET GLAZED - SMI HVHZ HORIZONTAL CROSS SECTIONS		
DRAWN: R.L.	DWG NO. 08-03021	REV A
SCALE NTS	DATE 12/07/16	SHEET 8 OF 24
L. ROBERTO LOMAS P.E. 400 S. PALM AVE, INDIALANTIC, FL 32903 434-688-0609 rllomas@rlomaspe.com		



Luis R. Lomas P.E.
FL No.: 62514



REVISIONS			
REV	DESCRIPTION	DATE	APPROVED
A	CHANGE MANUFACTURER'S NAME	04/06/2023	R.L.

Chart #5
Design pressure per glass "A" and "B" (psf)

D.L.O. Height (in)	D.L.O. width (in)								
	21.5	27.5	33.5	39.5	45.5	51.5	57.5	63.5	69.5
36.0	100.0	100.0	100.0	100.0	100.0	100.0	100.0	100.0	100.0
42.0	100.0	100.0	100.0	100.0	100.0	100.0	100.0	100.0	100.0
48.0	100.0	100.0	100.0	100.0	100.0	100.0	100.0	100.0	100.0
54.0	100.0	100.0	100.0	100.0	100.0	100.0	100.0	100.0	100.0
60.0	100.0	100.0	100.0	100.0	100.0	100.0	100.0	100.0	100.0
66.0	100.0	100.0	100.0	100.0	100.0	100.0	100.0	100.0	100.0
72.0	100.0	100.0	100.0	100.0	100.0	100.0	100.0	100.0	100.0
78.0	100.0	100.0	100.0	100.0	100.0	100.0	100.0	100.0	100.0
84.0	100.0	100.0	100.0	100.0	100.0	100.0	100.0	100.0	94.6
90.0	100.0	100.0	100.0	100.0	100.0	100.0	100.0	96.6	88.2
96.0	100.0	100.0	100.0	100.0	100.0	100.0	100.0	90.6	82.7

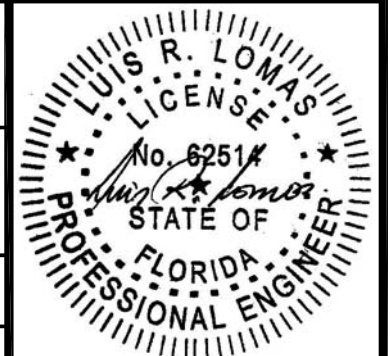
SIGNED: 04/06/2023

US ALUMINUM
950 SOLON RD.
WAXAHACHIE, TX 75165

STORM WALL XL HURRICANE RESISTANT
CURTAIN WALL - WET GLAZED - SMI HVHZ
GLAZING DETAILS

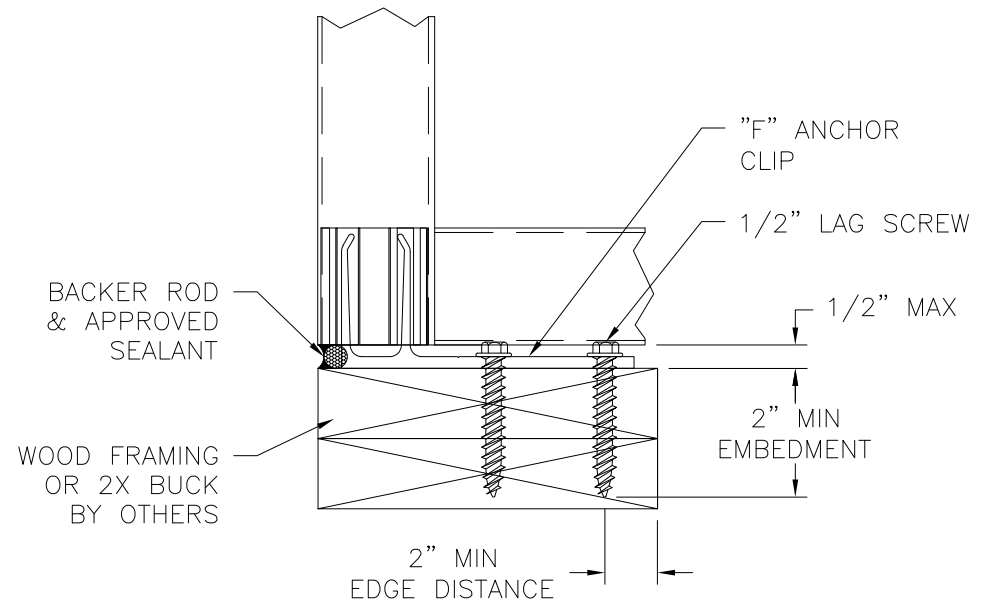
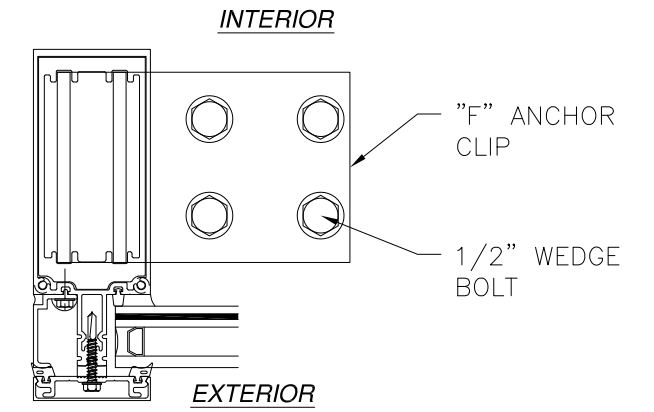
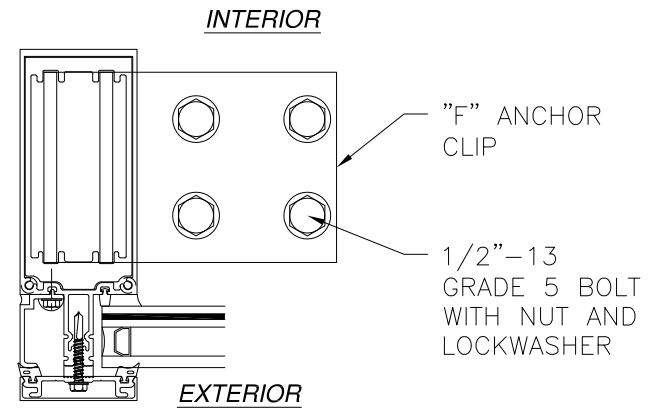
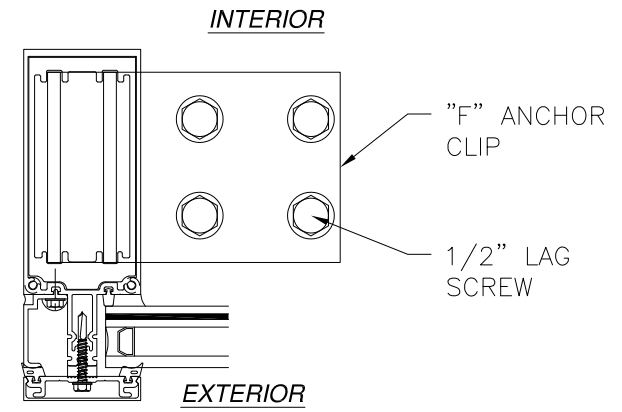
DRAWN: R.L.	DWG NO. 08-03021	REV A
SCALE NTS	DATE 12/07/16	SHEET 9 OF 24

L. ROBERTO LOMAS P.E.
400 S. PALM AVE, INDIALANTIC, FL 32903
434-688-0609 rllomas@rlomaspe.com

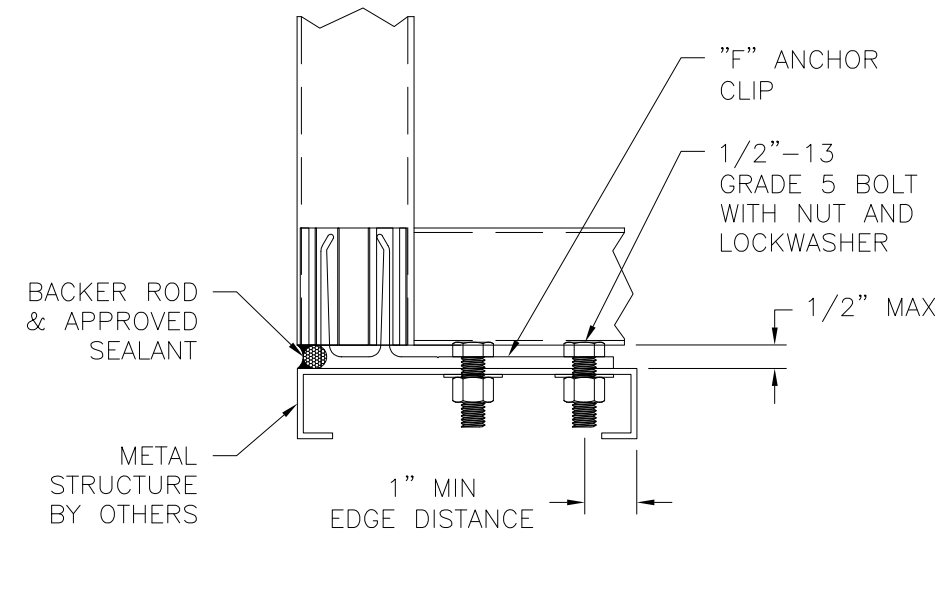


Luis R. Lomas P.E.
FL No.: 62514

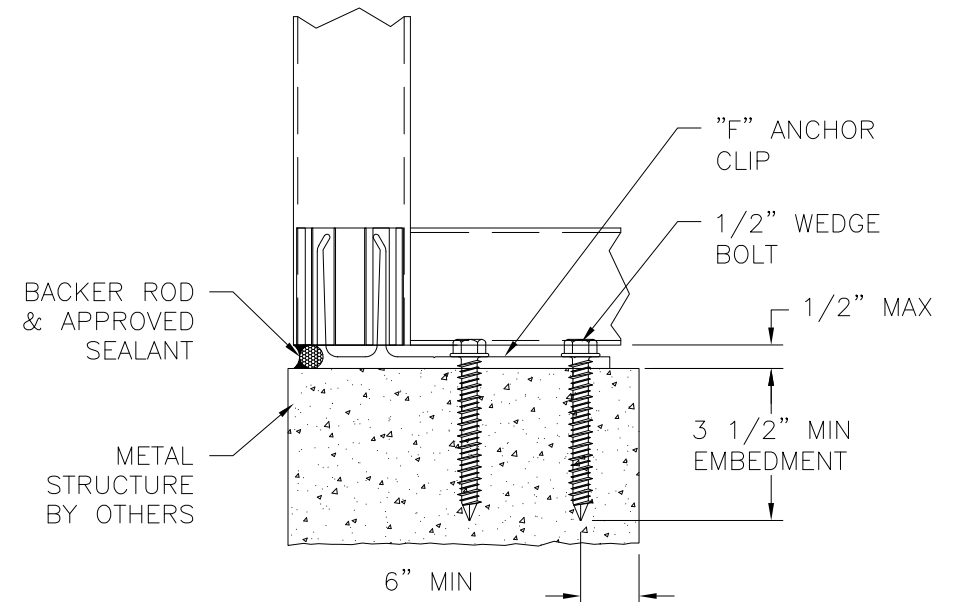
REVISIONS			
REV	DESCRIPTION	DATE	APPROVED
A	CHANGE MANUFACTURER'S NAME	04/06/2023	R.L.



JAMB INSTALLATION DETAIL
WITH "F" ANCHOR CLIP
 WOOD FRAMING OR 2X BUCK INSTALLATION
 SILL SHOWN, HEAD SIMILAR
 SEE CHART #7 FOR RATINGS



JAMB INSTALLATION DETAIL
WITH "F" ANCHOR CLIP
 METAL STRUCTURE INSTALLATION
 SILL SHOWN, HEAD SIMILAR
 SEE CHART #8 FOR RATINGS



JAMB INSTALLATION DETAIL
WITH "F" ANCHOR CLIP
 CONCRETE INSTALLATION
 SILL SHOWN, HEAD SIMILAR
 SEE CHART #9 FOR RATINGS

- NOTES:
1. INTERIOR AND EXTERIOR FINISHES, BY OTHERS, NOT SHOWN FOR CLARITY.
 2. PERIMETER AND JOINT SEALANT BY OTHERS TO BE DESIGNED IN ACCORDANCE WITH ASTM E2112

SIGNED: 04/06/2023

US ALUMINUM
 950 SOLON RD.
 WAXAHACHIE, TX 75165

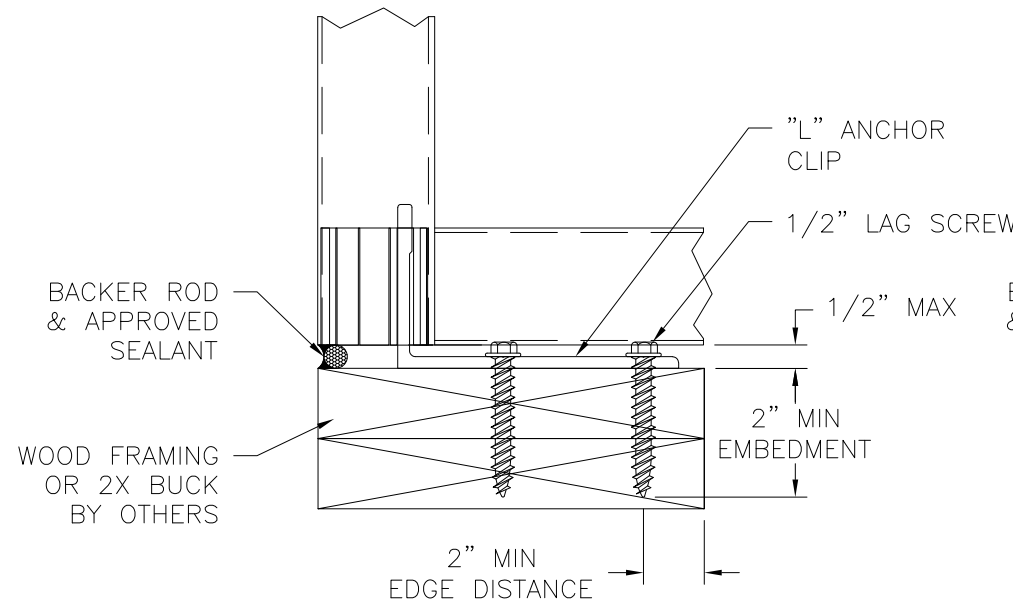
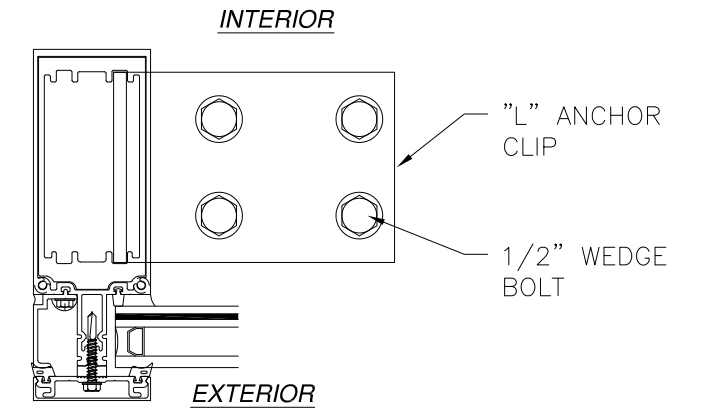
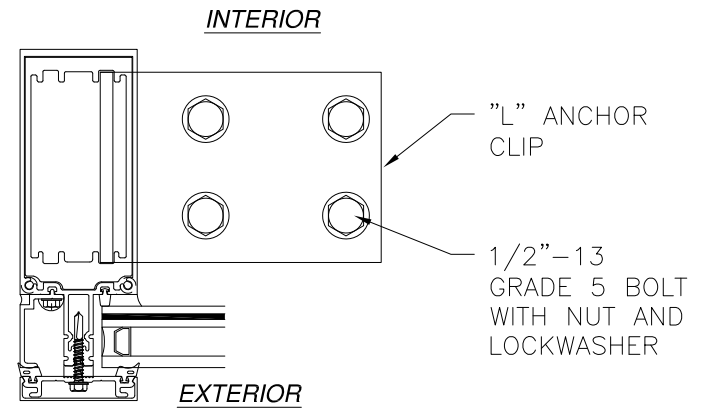
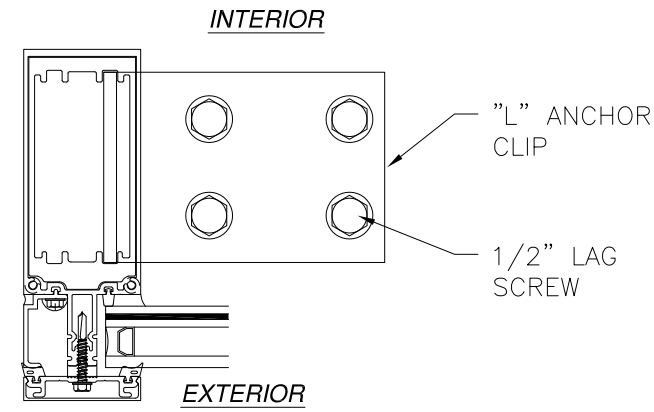
STORM WALL XL HURRICANE RESISTANT
 CURTAIN WALL - WET GLAZED - SMI HVHZ
 INSTALLATION DETAILS

DRAWN: R.L.	DWG NO. 08-03021	REV A
SCALE NTS	DATE 12/07/16	SHEET 10 OF 24

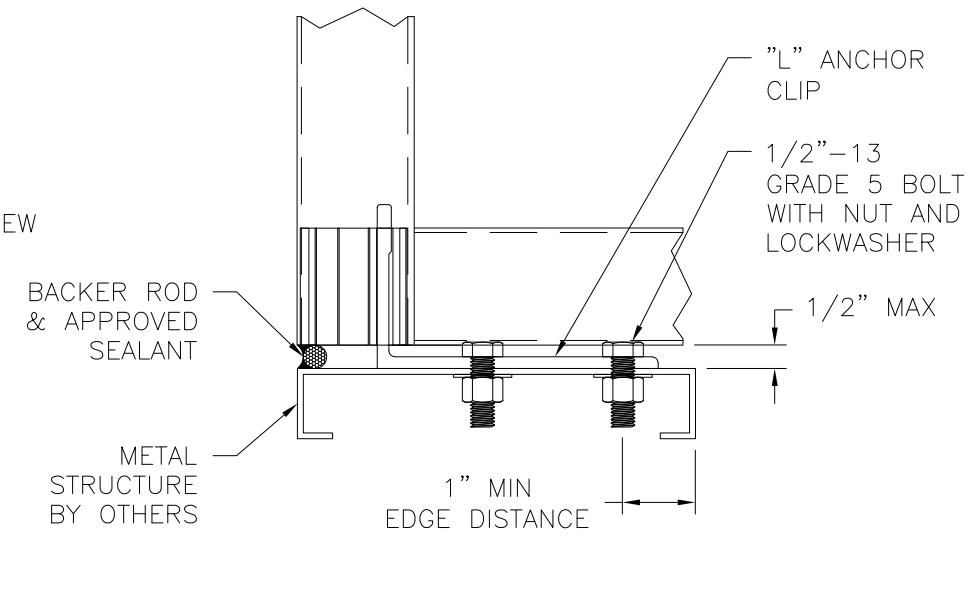
L. ROBERTO LOMAS P.E.
 400 S. PALM AVE, INDIALANTIC, FL 32903
 434-688-0609 rllomas@rlomaspe.com

Luis R. Lomas P.E.
 FL No.: 62514

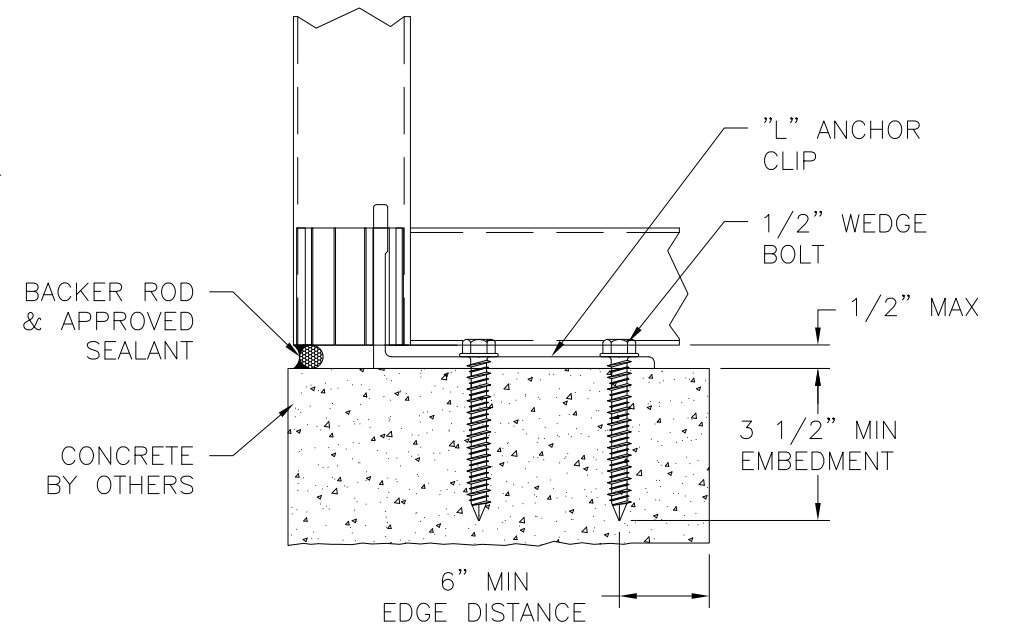
REVISIONS			
REV	DESCRIPTION	DATE	APPROVED
A	CHANGE MANUFACTURER'S NAME	04/06/2023	R.L.



JAMB INSTALLATION DETAIL
WITH "L" ANCHOR CLIP
 WOOD FRAMING OR 2X BUCK INSTALLATION
 SILL SHOWN, HEAD SIMILAR
 SEE CHART #7 FOR RATINGS



JAMB INSTALLATION DETAIL
WITH "L" ANCHOR CLIP
 METAL STRUCTURE INSTALLATION
 SILL SHOWN, HEAD SIMILAR
 SEE CHART #8 FOR RATINGS



JAMB INSTALLATION DETAIL
WITH "L" ANCHOR CLIP
 CONCRETE INSTALLATION
 SILL SHOWN, HEAD SIMILAR
 SEE CHART #9 FOR RATINGS

- NOTES:
1. INTERIOR AND EXTERIOR FINISHES, BY OTHERS, NOT SHOWN FOR CLARITY.
 2. PERIMETER AND JOINT SEALANT BY OTHERS TO BE DESIGNED IN ACCORDANCE WITH ASTM E2112

SIGNED: 04/06/2023

US ALUMINUM
 950 SOLON RD.
 WAXAHACHIE, TX 75165

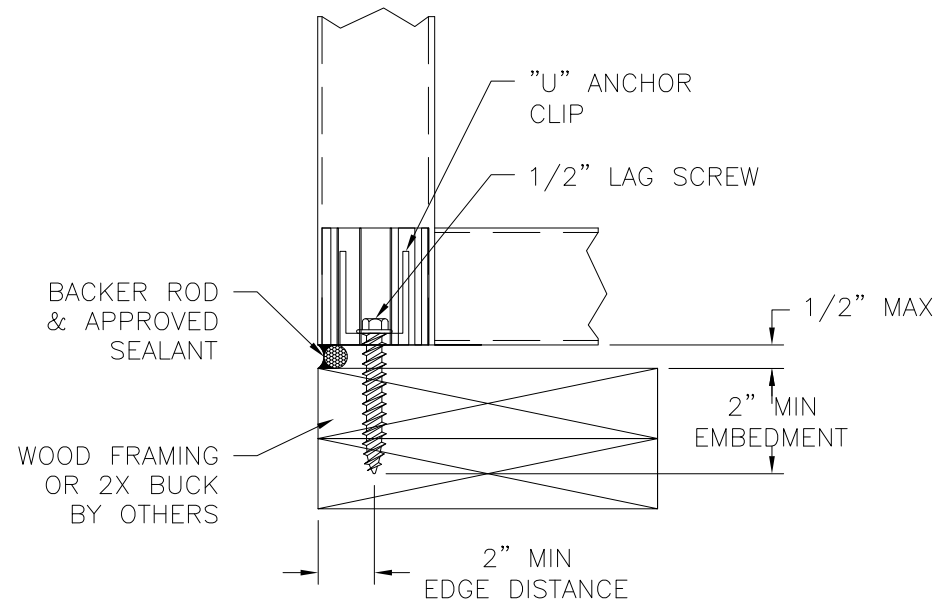
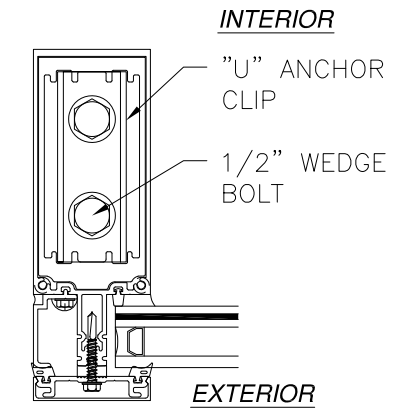
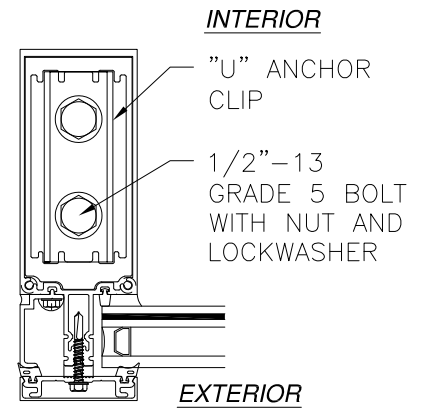
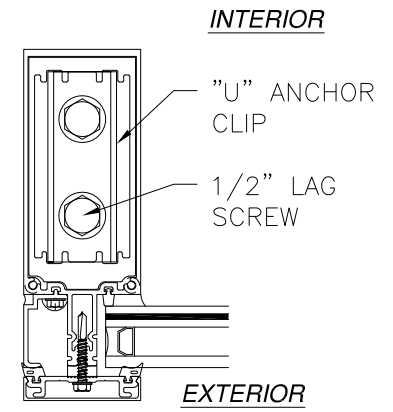
STORM WALL XL HURRICANE RESISTANT
 CURTAIN WALL - WET GLAZED - SMI HVHZ
 INSTALLATION DETAILS

DRAWN: R.L.	DWG NO. 08-03021	REV A
SCALE NTS	DATE 12/07/16	SHEET 11 OF 24

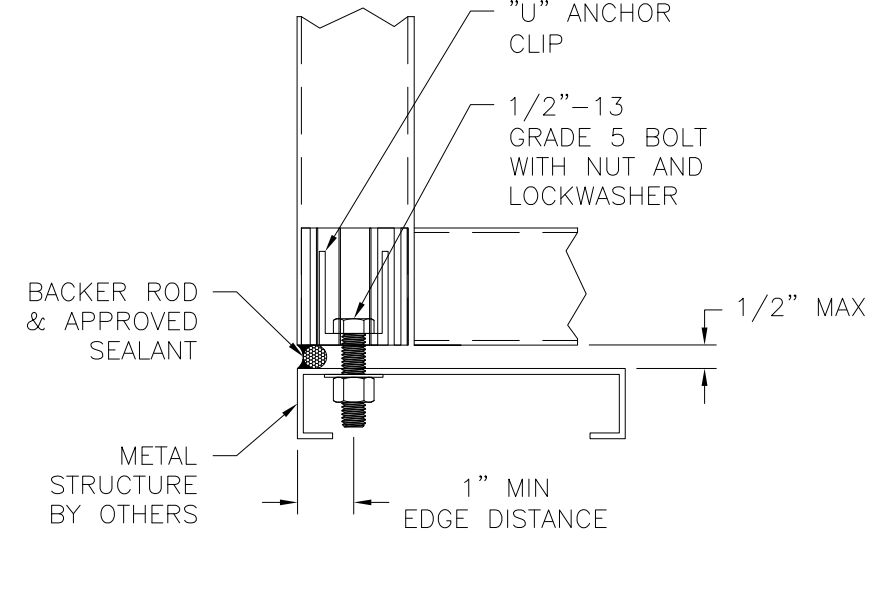
L. ROBERTO LOMAS P.E.
 400 S. PALM AVE, INDIALANTIC, FL 32903
 434-688-0609 rllomas@rlomaspe.com

Luis R. Lomas P.E.
 FL No.: 62514

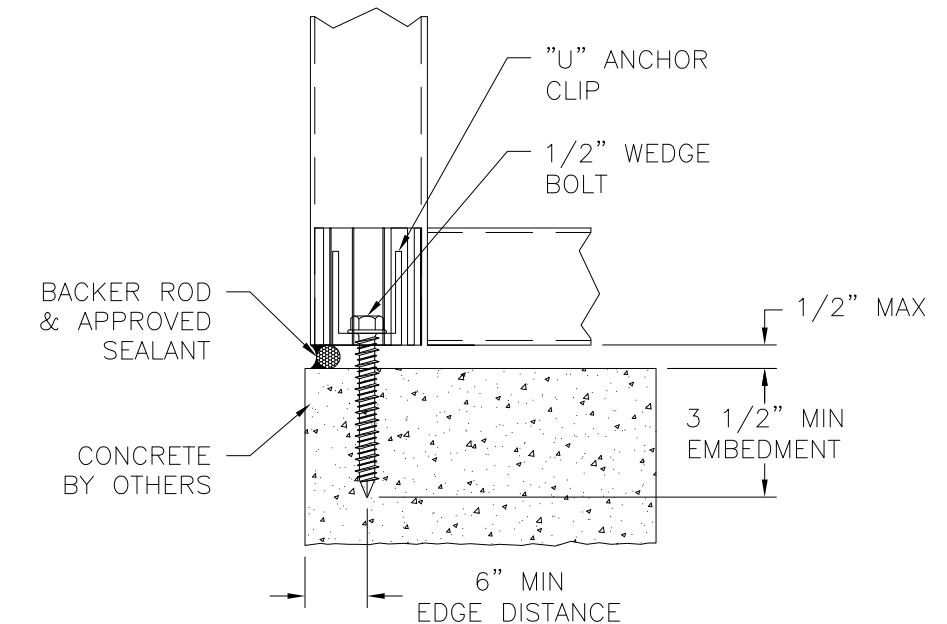
REVISIONS			
REV	DESCRIPTION	DATE	APPROVED
A	CHANGE MANUFACTURER'S NAME	04/06/2023	R.L.



**JAMB INSTALLATION DETAIL
WITH "U" ANCHOR CLIP
WOOD FRAMING OR 2X BUCK INSTALLATION
SILL SHOWN, HEAD SIMILAR
SEE CHART #6 FOR RATINGS**



**JAMB INSTALLATION DETAIL
WITH "U" ANCHOR CLIP
METAL STRUCTURE INSTALLATION
SILL SHOWN, HEAD SIMILAR
SEE CHART #8 FOR RATINGS**



**JAMB INSTALLATION DETAIL
WITH "U" ANCHOR CLIP
CONCRETE INSTALLATION
SILL SHOWN, HEAD SIMILAR
SEE CHART #9 FOR RATINGS**

- NOTES:**
1. INTERIOR AND EXTERIOR FINISHES, BY OTHERS, NOT SHOWN FOR CLARITY.
 2. PERIMETER AND JOINT SEALANT BY OTHERS TO BE DESIGNED IN ACCORDANCE WITH ASTM E2112

SIGNED: 04/06/2023

US ALUMINUM
950 SOLON RD.
WAXAHACHIE, TX 75165

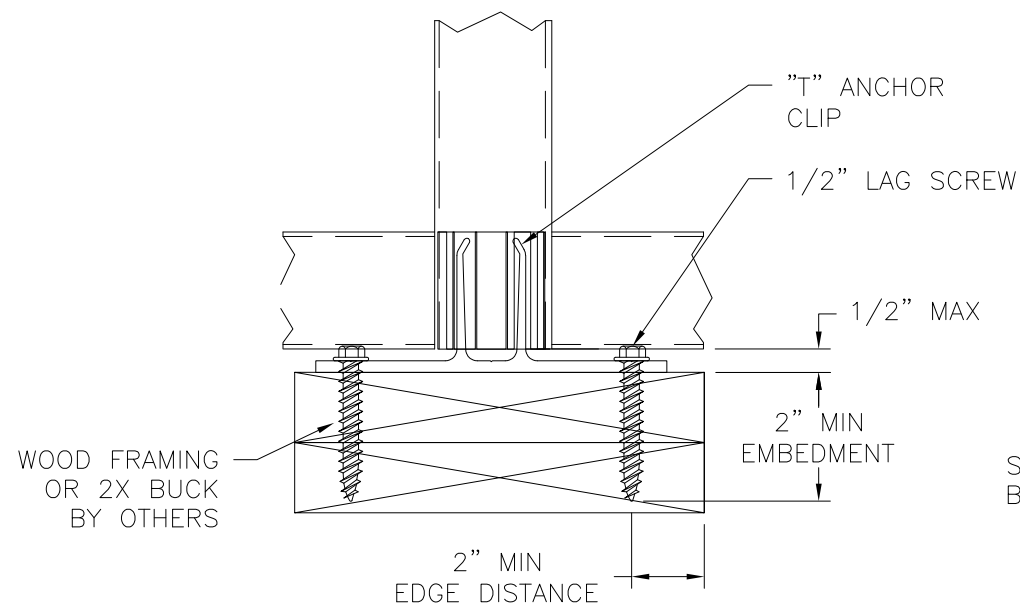
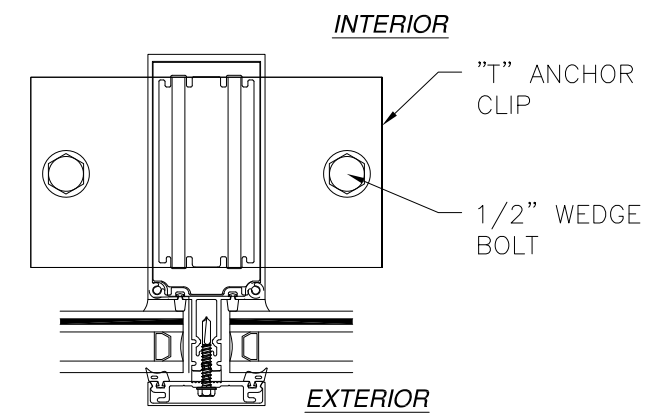
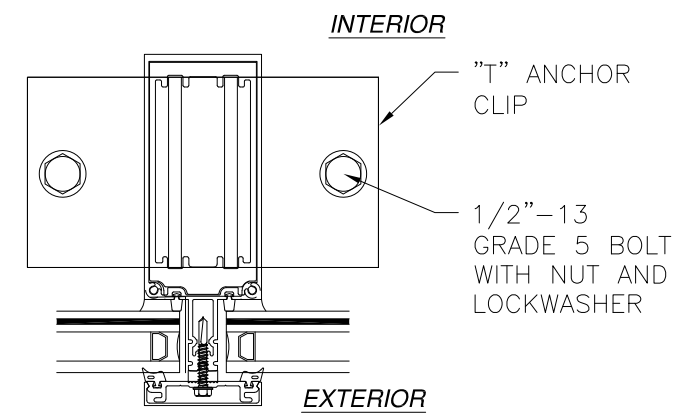
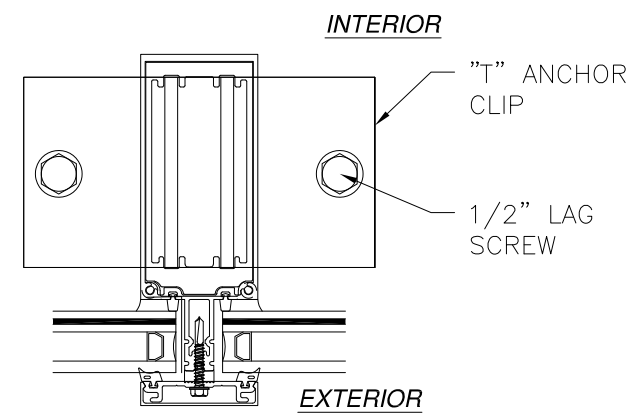
STORM WALL XL HURRICANE RESISTANT
CURTAIN WALL - WET GLAZED - SMI HVHZ
INSTALLATION DETAILS

DRAWN: R.L.	DWG NO. 08-03021	REV A
SCALE NTS	DATE 12/07/16	SHEET 12 OF 24

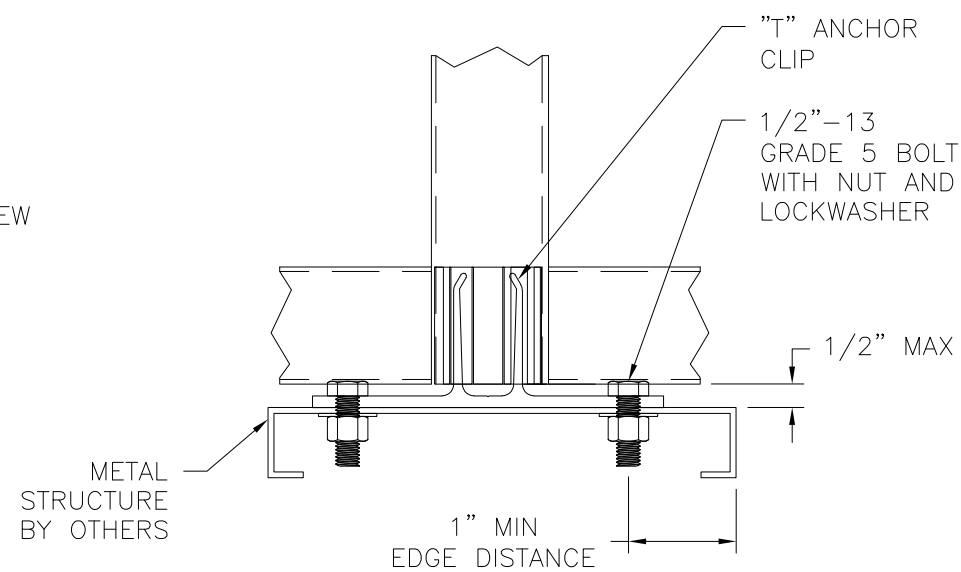
L. ROBERTO LOMAS P.E.
400 S. PALM AVE, INDIALANTIC, FL 32903
434-688-0609 rllomas@rlomaspe.com

Luis R. Lomas P.E.
FL No.: 62514

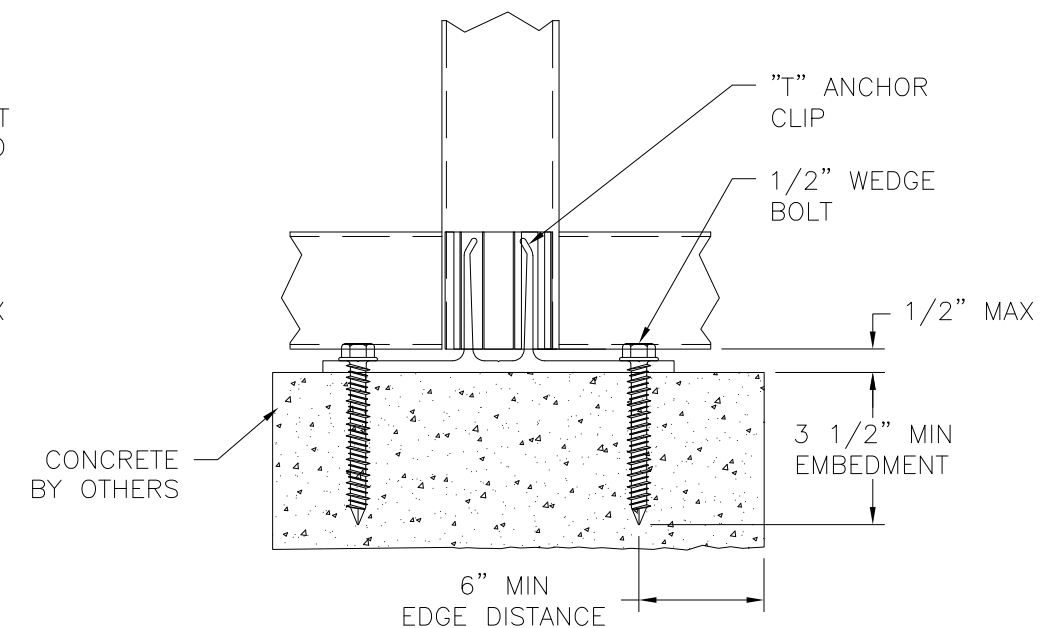
REVISIONS			
REV	DESCRIPTION	DATE	APPROVED
A	CHANGE MANUFACTURER'S NAME	04/06/2023	R.L.



MULLION INSTALLATION DETAIL WITH "T" ANCHOR CLIP
WOOD FRAMING OR 2X BUCK INSTALLATION
 SILL SHOWN, HEAD SIMILAR
 SEE CHART #10 FOR RATINGS



MULLION INSTALLATION DETAIL WITH "T" ANCHOR CLIP
METAL STRUCTURE INSTALLATION
 SILL SHOWN, HEAD SIMILAR
 SEE CHART #12 FOR RATINGS



MULLION INSTALLATION DETAIL WITH "T" ANCHOR CLIP
CONCRETE INSTALLATION
 SILL SHOWN, HEAD SIMILAR
 SEE CHART #13 FOR RATINGS

- NOTES:
1. INTERIOR AND EXTERIOR FINISHES, BY OTHERS, NOT SHOWN FOR CLARITY.
 2. PERIMETER AND JOINT SEALANT BY OTHERS TO BE DESIGNED IN ACCORDANCE WITH ASTM E2112

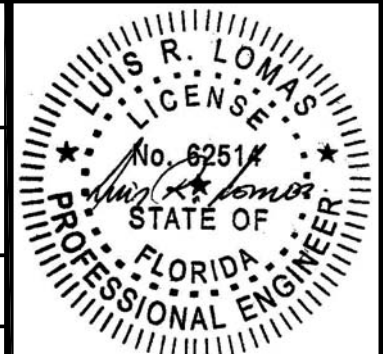
SIGNED: 04/06/2023

US ALUMINUM
 950 SOLON RD.
 WAXAHACHIE, TX 75165

STORM WALL XL HURRICANE RESISTANT
 CURTAIN WALL - WET GLAZED - SMI HVHZ
 INSTALLATION DETAILS

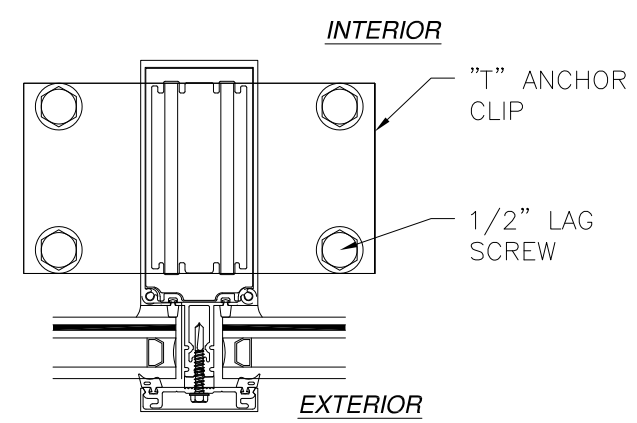
DRAWN: R.L.	DWG NO. 08-03021	REV A
SCALE NTS	DATE 12/07/16	SHEET 13 OF 24

L. ROBERTO LOMAS P.E.
 400 S. PALM AVE, INDIALANTIC, FL 32903
 434-688-0609 rllomas@rlomaspe.com

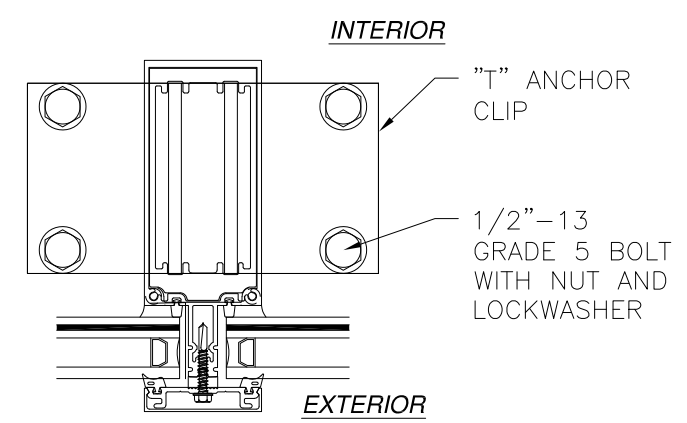


Luis R. Lomas P.E.
 FL No.: 62514

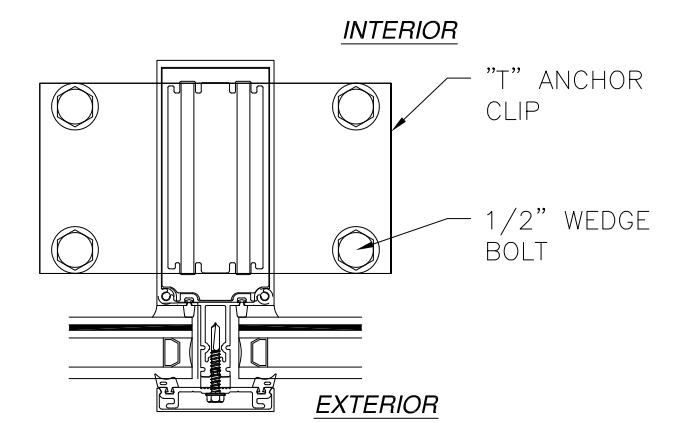
REVISIONS			
REV	DESCRIPTION	DATE	APPROVED
A	CHANGE MANUFACTURER'S NAME	04/06/2023	R.L.



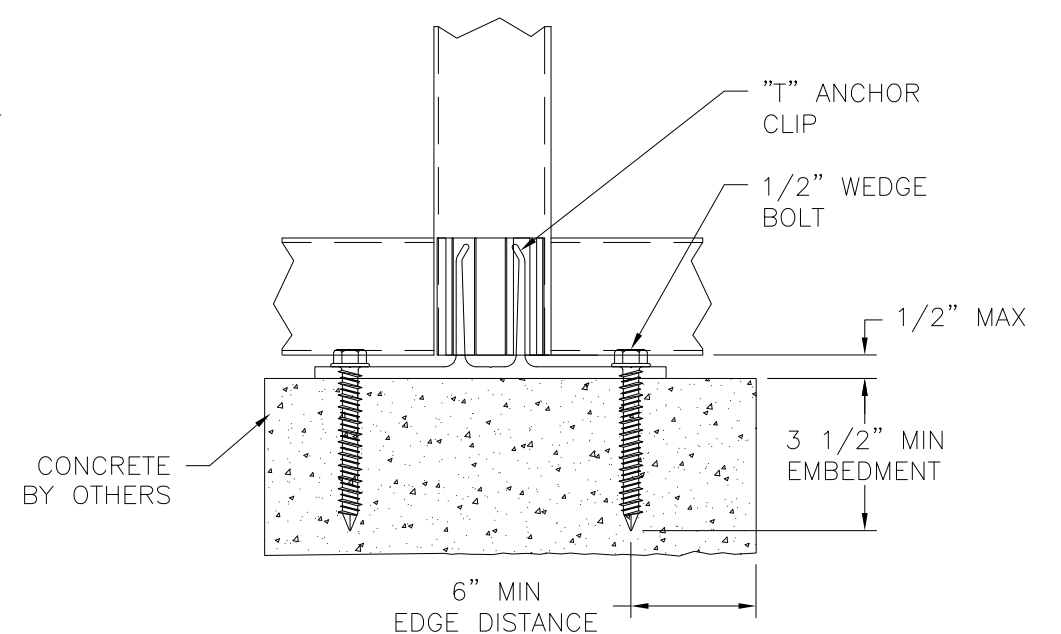
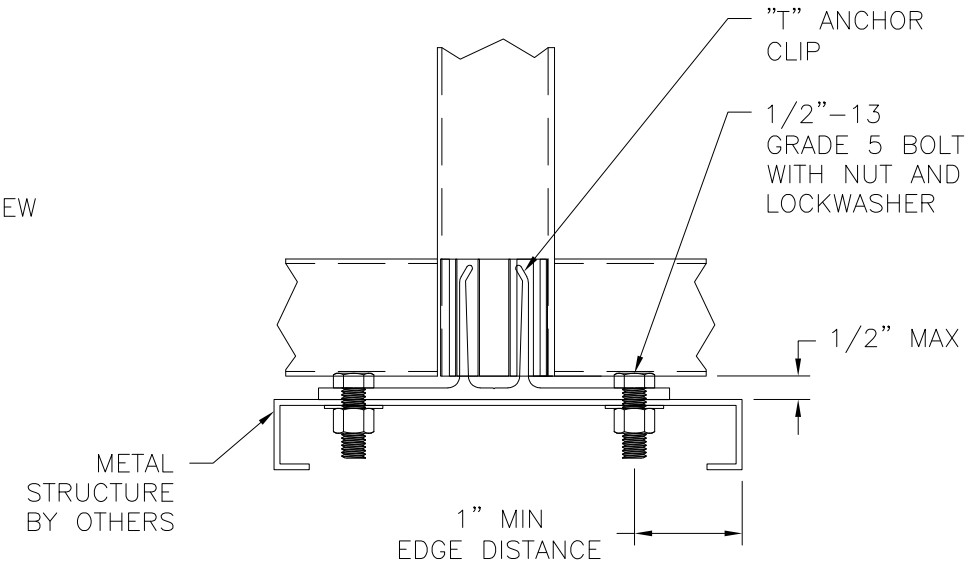
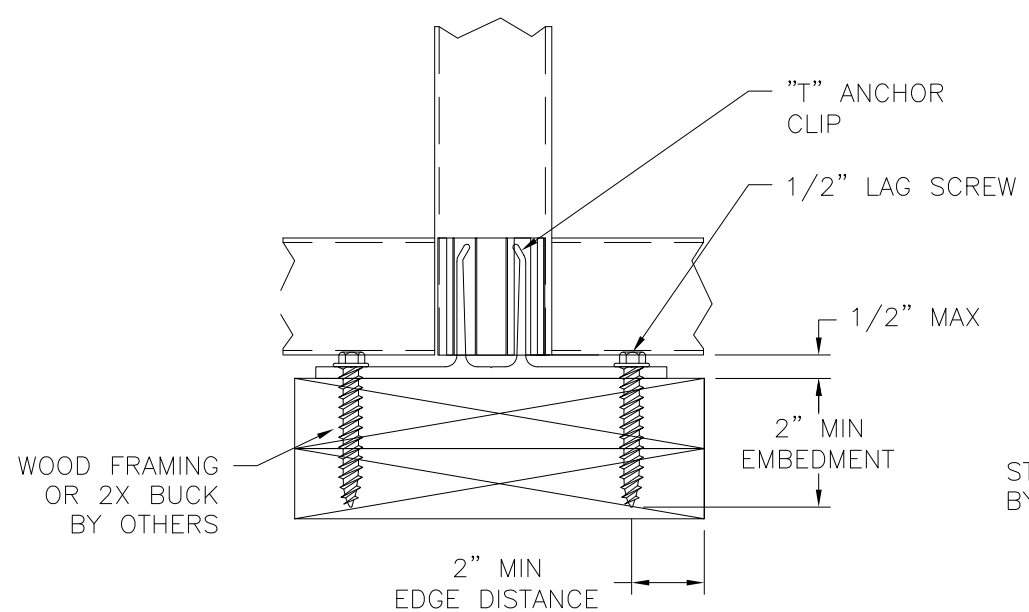
**MULLION INSTALLATION DETAIL
WITH "T" ANCHOR CLIP
WOOD FRAMING OR 2X BUCK INSTALLATION
SILL SHOWN, HEAD SIMILAR
SEE CHART #11 FOR RATINGS**



**MULLION INSTALLATION DETAIL
WITH "T" ANCHOR CLIP
METAL STRUCTURE INSTALLATION
SILL SHOWN, HEAD SIMILAR
SEE CHART #12 FOR RATINGS**



**MULLION INSTALLATION DETAIL
WITH "T" ANCHOR CLIP
CONCRETE INSTALLATION
SILL SHOWN, HEAD SIMILAR
SEE CHART #14 FOR RATINGS**



- NOTES:**
1. INTERIOR AND EXTERIOR FINISHES, BY OTHERS, NOT SHOWN FOR CLARITY.
 2. PERIMETER AND JOINT SEALANT BY OTHERS TO BE DESIGNED IN ACCORDANCE WITH ASTM E2112

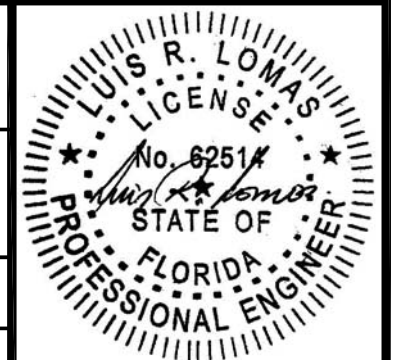
SIGNED: 04/06/2023

US ALUMINUM
950 SOLON RD.
WAXAHACHIE, TX 75165

STORM WALL XL HURRICANE RESISTANT
CURTAIN WALL - WET GLAZED - SMI HVHZ
INSTALLATION DETAILS

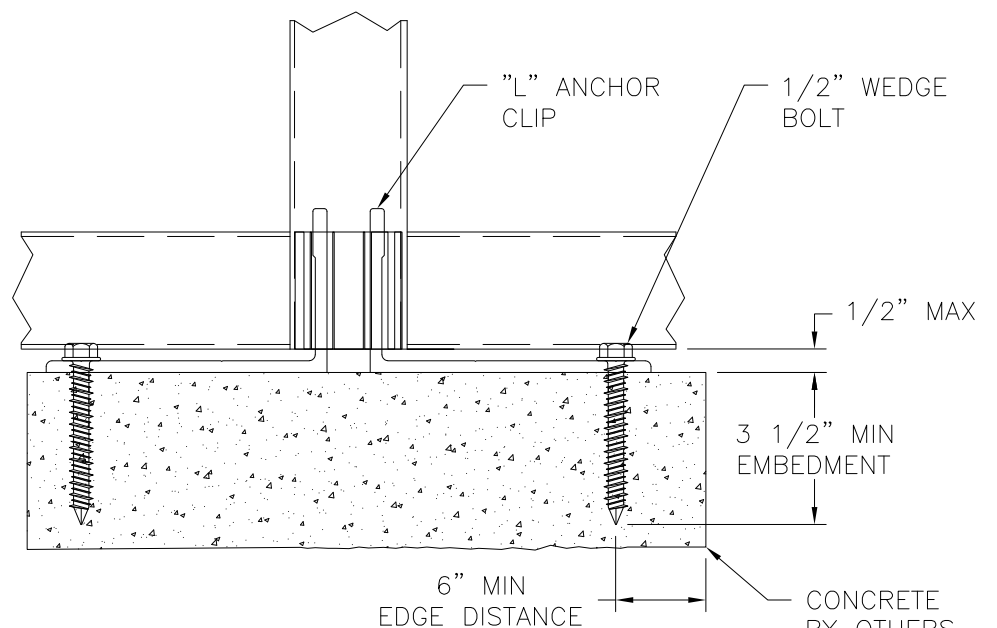
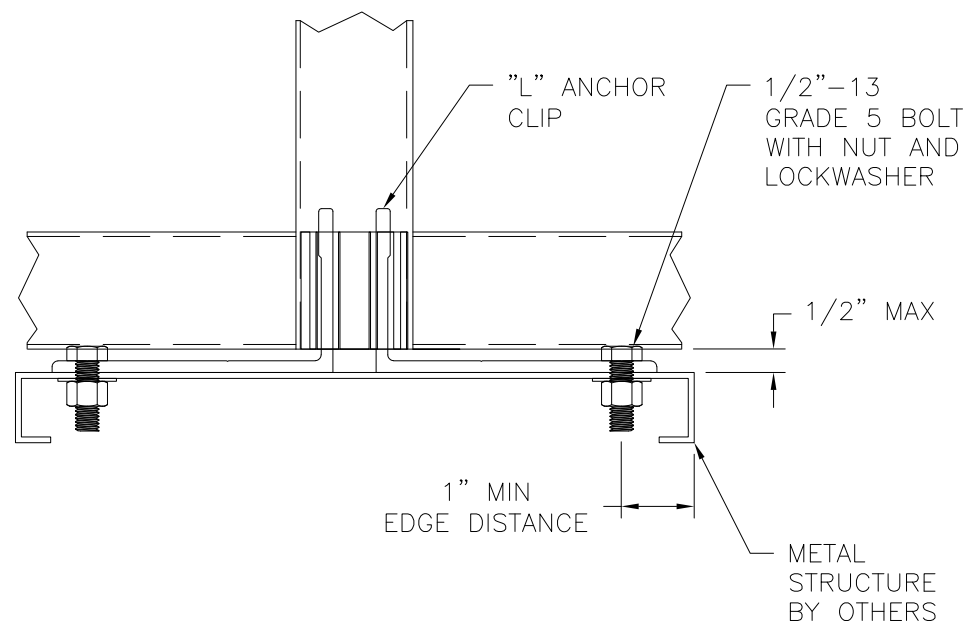
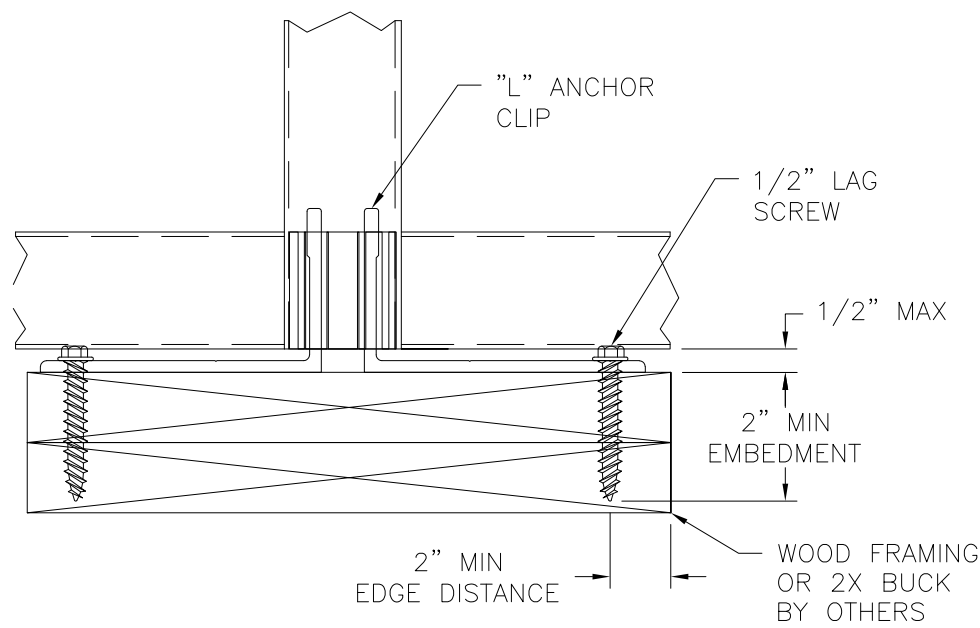
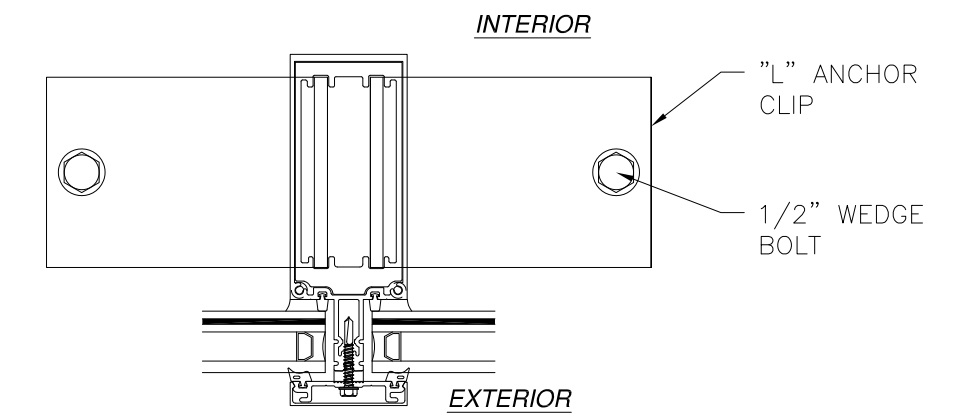
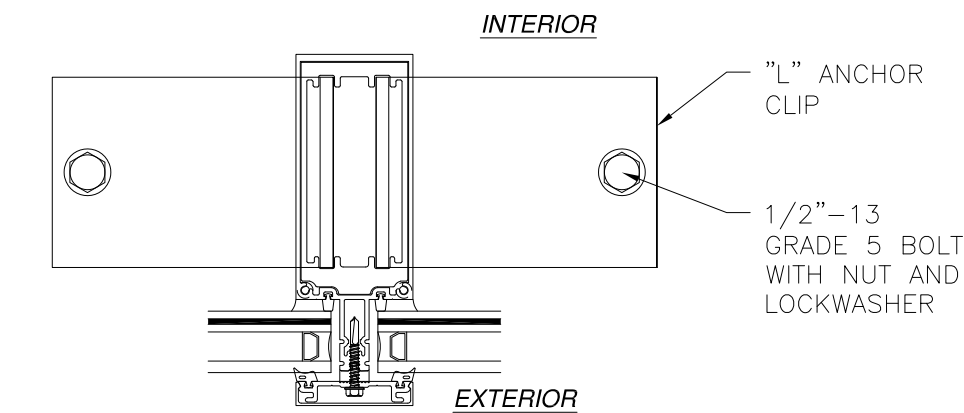
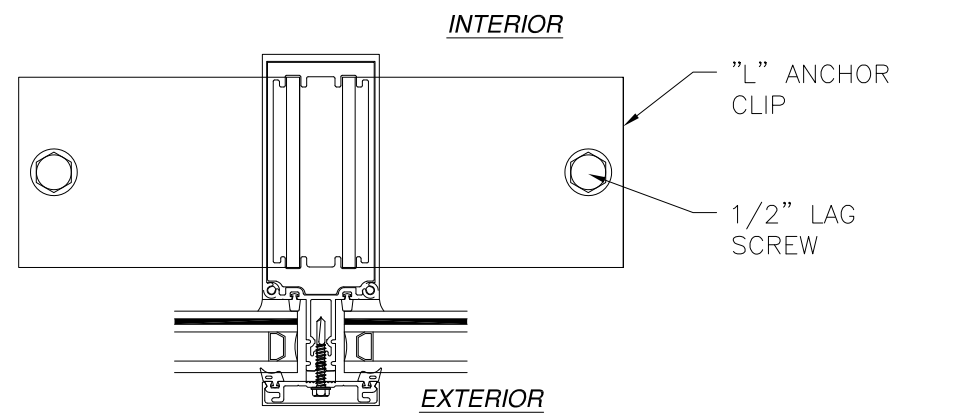
DRAWN: R.L.	DWG NO. 08-03021	REV A
SCALE NTS	DATE 12/07/16	SHEET 14 OF 24

L. ROBERTO LOMAS P.E.
400 S. PALM AVE, INDIALANTIC, FL 32903
434-688-0609 rllomas@rlomaspe.com



Luis R. Lomas P.E.
FL No.: 62514

REVISIONS			
REV	DESCRIPTION	DATE	APPROVED
A	CHANGE MANUFACTURER'S NAME	04/06/2023	R.L.



MULLION INSTALLATION DETAIL WITH "L" ANCHOR CLIP
WOOD FRAMING OR 2X BUCK INSTALLATION
SILL SHOWN, HEAD SIMILAR
SEE CHART #10 FOR RATINGS

MULLION INSTALLATION DETAIL WITH "L" ANCHOR CLIP
METAL STRUCTURE INSTALLATION
SILL SHOWN, HEAD SIMILAR
SEE CHART #12 FOR RATINGS

MULLION INSTALLATION DETAIL WITH "L" ANCHOR CLIP
CONCRETE INSTALLATION
SILL SHOWN, HEAD SIMILAR
SEE CHART #13 FOR RATINGS

- NOTES:
- INTERIOR AND EXTERIOR FINISHES, BY OTHERS, NOT SHOWN FOR CLARITY.
 - PERIMETER AND JOINT SEALANT BY OTHERS TO BE DESIGNED IN ACCORDANCE WITH ASTM E2112

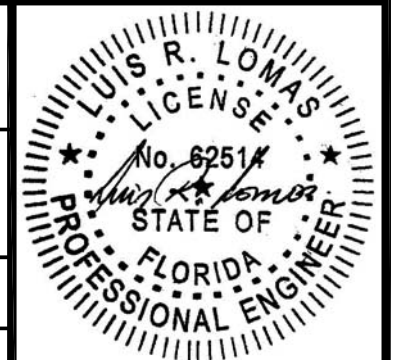
SIGNED: 04/06/2023

US ALUMINUM
950 SOLON RD.
WAXAHACHIE, TX 75165

STORM WALL XL HURRICANE RESISTANT
CURTAIN WALL - WET GLAZED - SMI HVHZ
INSTALLATION DETAILS

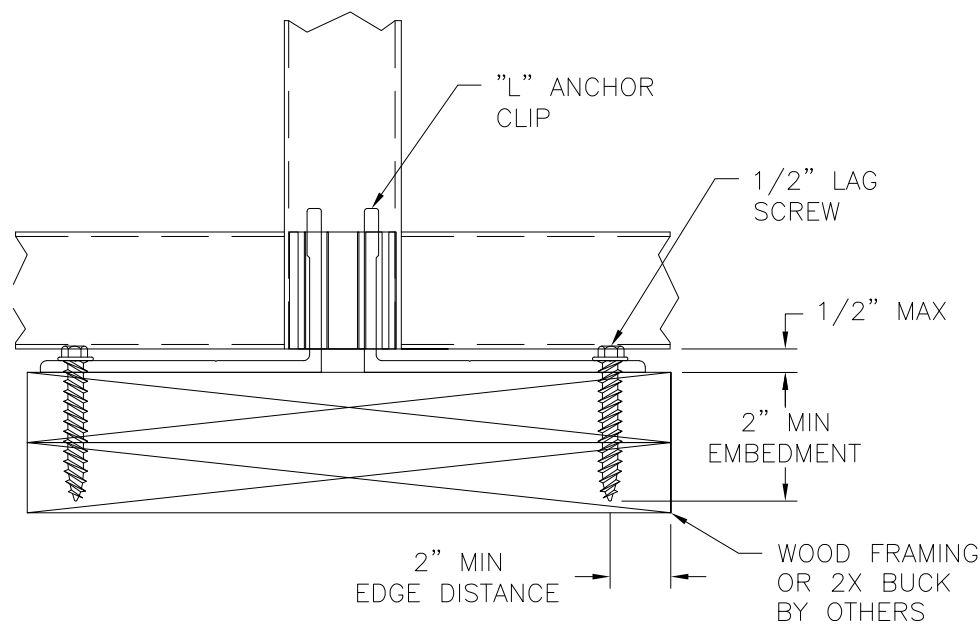
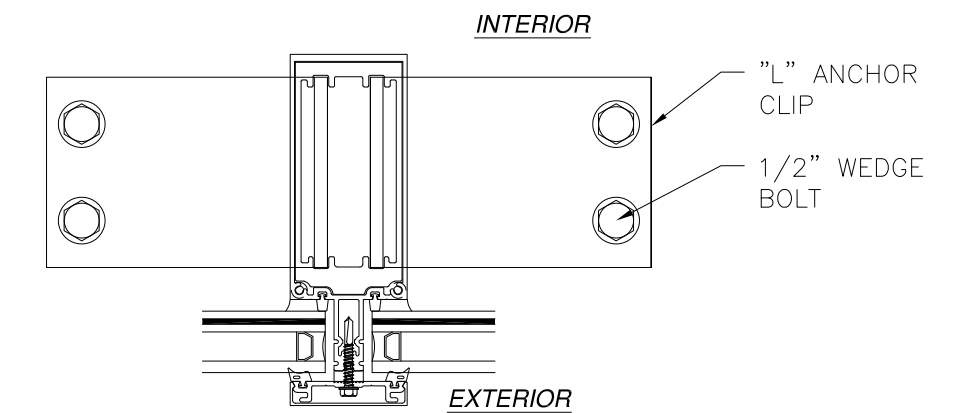
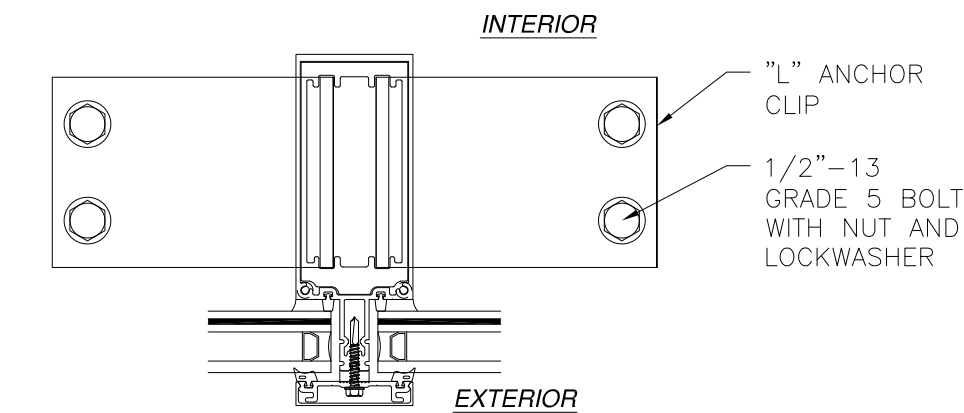
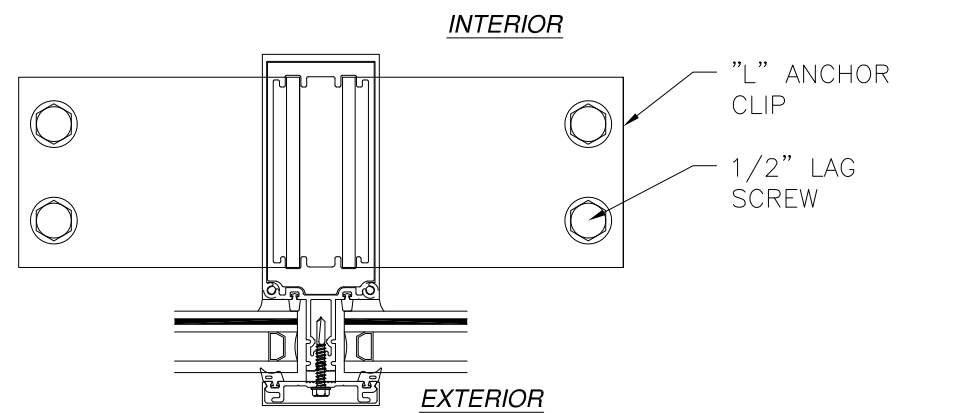
DRAWN: R.L.	DWG NO. 08-03021	REV A
SCALE NTS	DATE 12/07/16	SHEET 15 OF 24

L. ROBERTO LOMAS P.E.
400 S. PALM AVE, INDIALANTIC, FL 32903
434-688-0609 rllomas@rlomaspe.com

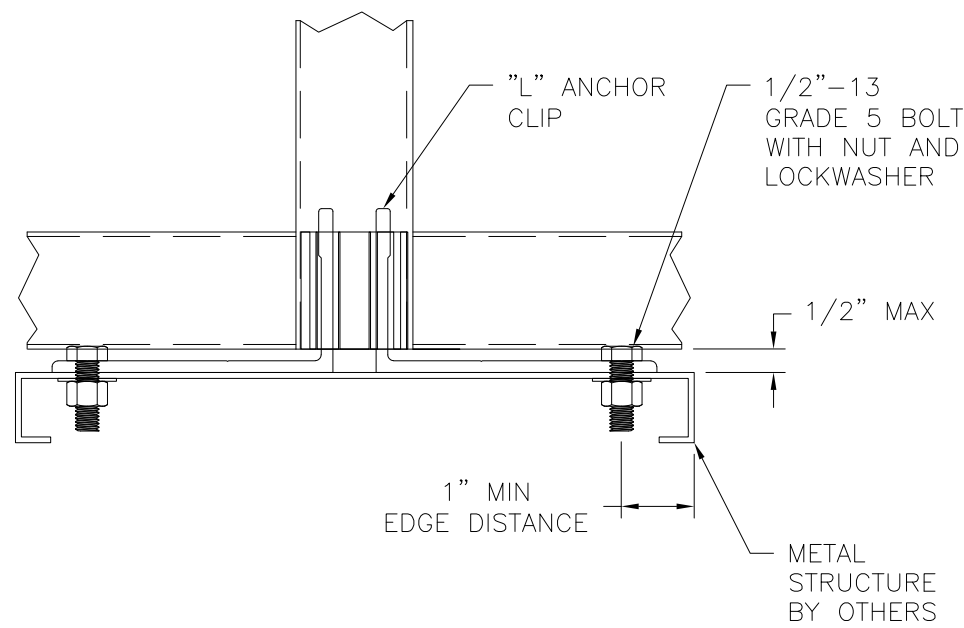


Luis R. Lomas P.E.
FL No.: 62514

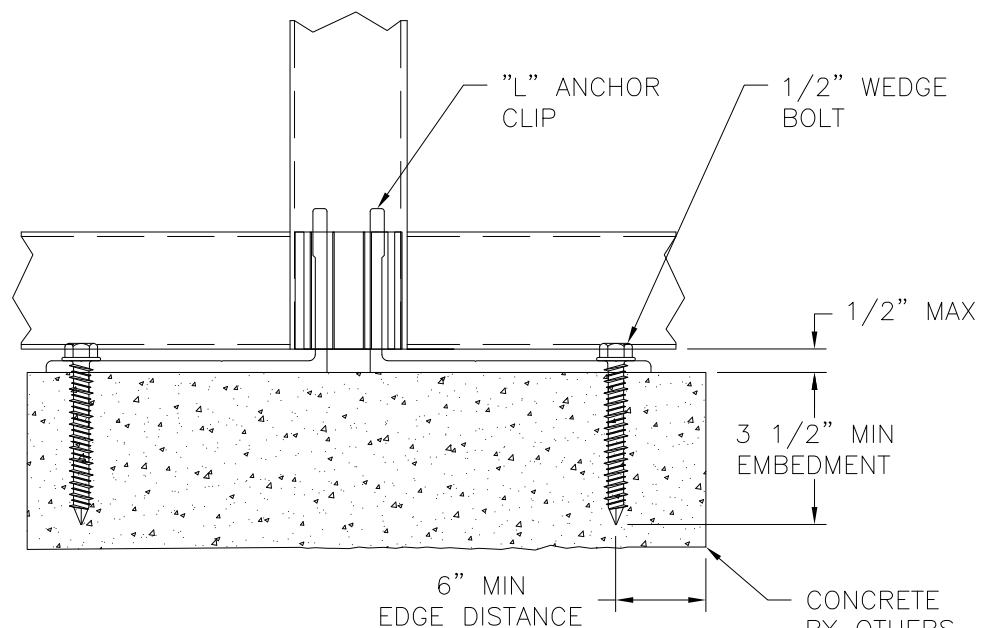
REVISIONS			
REV	DESCRIPTION	DATE	APPROVED
A	CHANGE MANUFACTURER'S NAME	04/06/2023	R.L.



MULLION INSTALLATION DETAIL WITH "L" ANCHOR CLIP
WOOD FRAMING OR 2X BUCK INSTALLATION
SILL SHOWN, HEAD SIMILAR
SEE CHART #11 FOR RATINGS



MULLION INSTALLATION DETAIL WITH "L" ANCHOR CLIP
METAL STRUCTURE INSTALLATION
SILL SHOWN, HEAD SIMILAR
SEE CHART #12 FOR RATINGS



MULLION INSTALLATION DETAIL WITH "L" ANCHOR CLIP
CONCRETE INSTALLATION
SILL SHOWN, HEAD SIMILAR
SEE CHART #14 FOR RATINGS

- NOTES:
- INTERIOR AND EXTERIOR FINISHES, BY OTHERS, NOT SHOWN FOR CLARITY.
 - PERIMETER AND JOINT SEALANT BY OTHERS TO BE DESIGNED IN ACCORDANCE WITH ASTM E2112

SIGNED: 04/06/2023

US ALUMINUM
950 SOLON RD.
WAXAHACHIE, TX 75165

STORM WALL XL HURRICANE RESISTANT
CURTAIN WALL - WET GLAZED - SMI HVHZ
INSTALLATION DETAILS

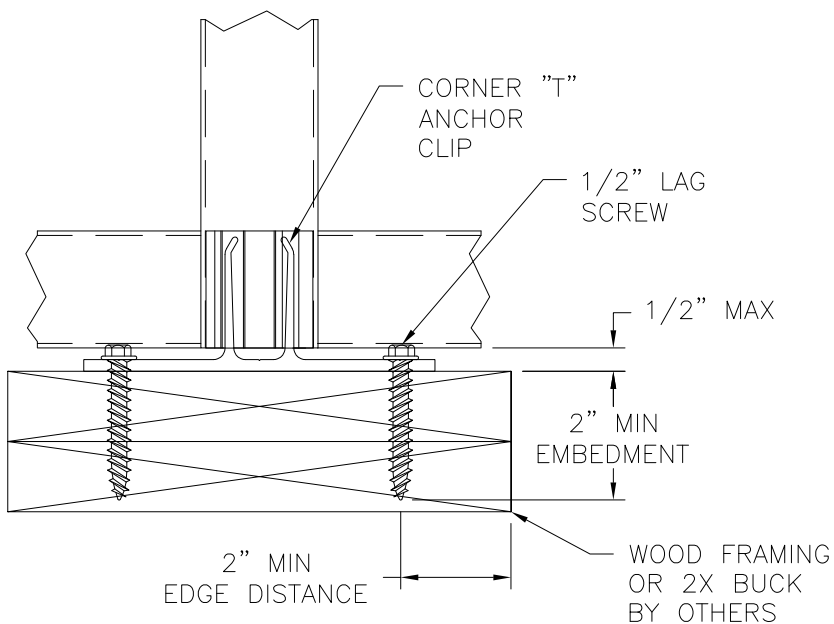
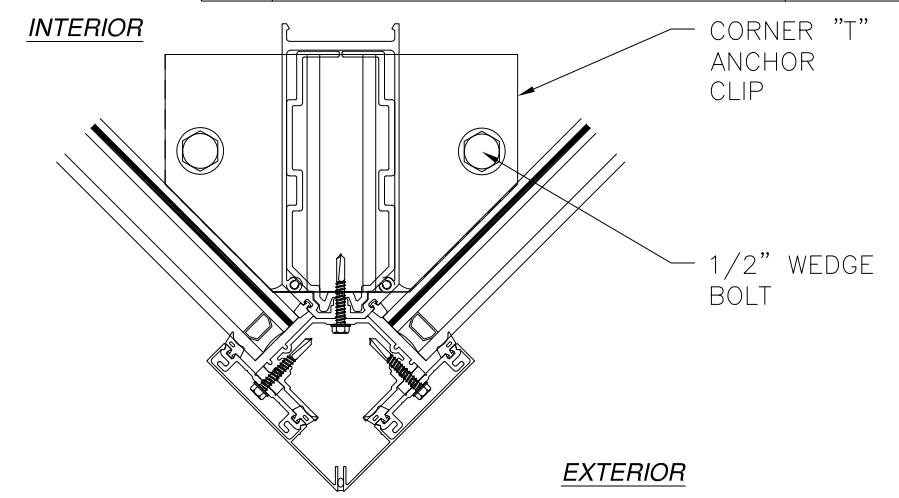
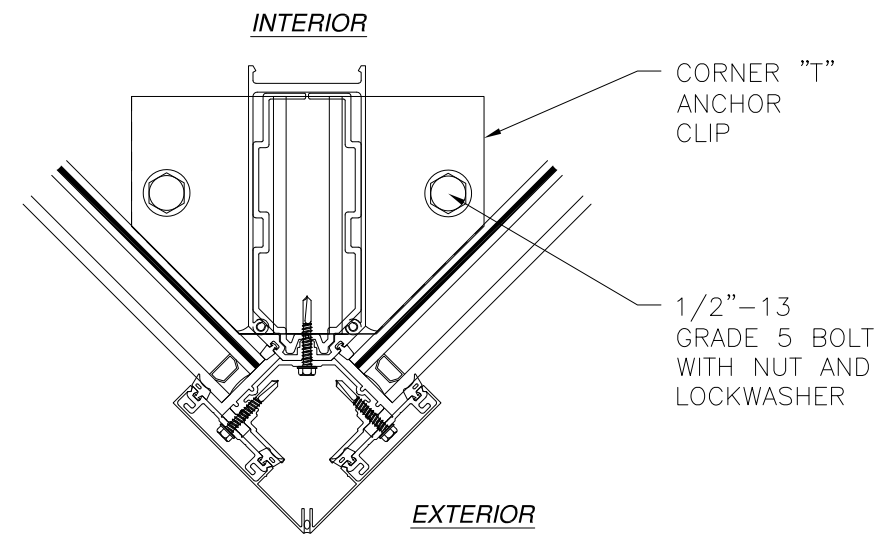
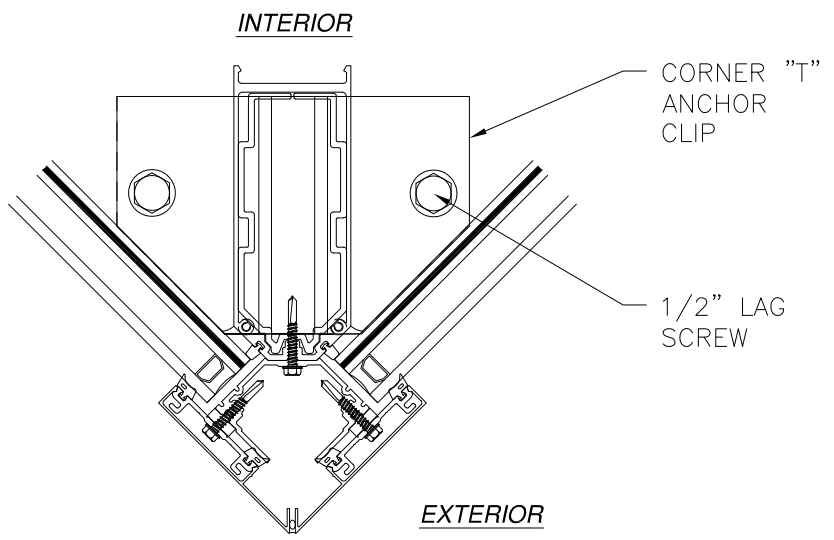
DRAWN: R.L.	DWG NO. 08-03021	REV A
SCALE NTS	DATE 12/07/16	SHEET 16 OF 24

L. ROBERTO LOMAS P.E.
400 S. PALM AVE, INDIALANTIC, FL 32903
434-688-0609 rllomas@rlomaspe.com

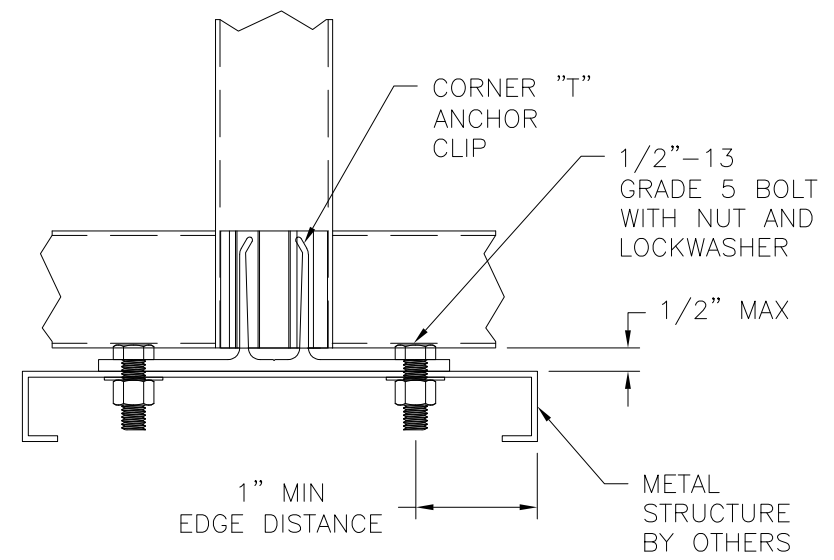


Luis R. Lomas P.E.
FL No.: 62514

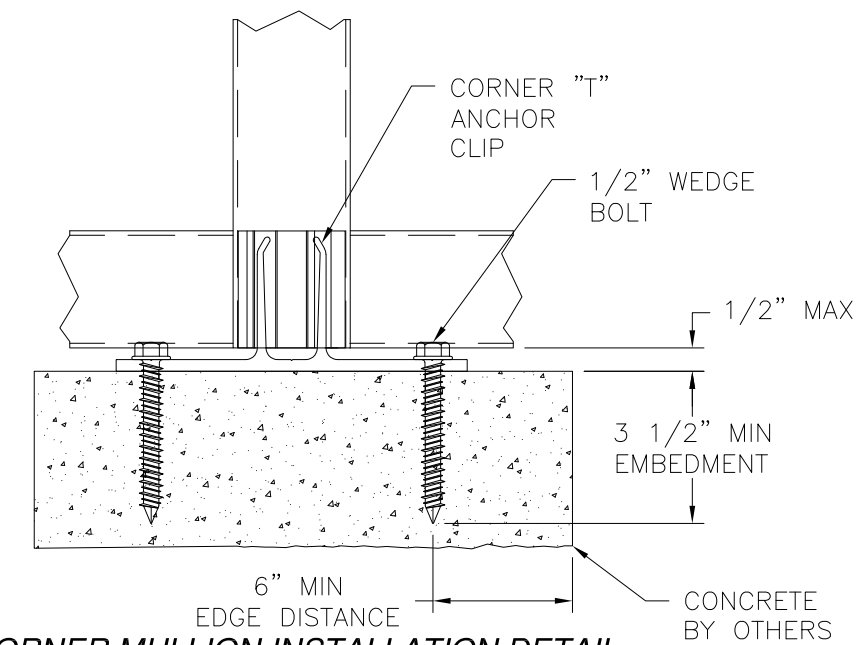
REVISIONS			
REV	DESCRIPTION	DATE	APPROVED
A	CHANGE MANUFACTURER'S NAME	04/06/2023	R.L.



CORNER MULLION INSTALLATION DETAIL WITH "T" ANCHOR CLIP
WOOD FRAMING OR 2X BUCK INSTALLATION
 SILL SHOWN, HEAD SIMILAR
 SEE CHART #10 FOR RATINGS



CORNER MULLION INSTALLATION DETAIL WITH "T" ANCHOR CLIP
METAL STRUCTURE INSTALLATION
 SILL SHOWN, HEAD SIMILAR
 SEE CHART #12 FOR RATINGS



CORNER MULLION INSTALLATION DETAIL WITH "T" ANCHOR CLIP
CONCRETE INSTALLATION
 SILL SHOWN, HEAD SIMILAR
 SEE CHART #13 FOR RATINGS

- NOTES:**
1. INTERIOR AND EXTERIOR FINISHES, BY OTHERS, NOT SHOWN FOR CLARITY.
 2. PERIMETER AND JOINT SEALANT BY OTHERS TO BE DESIGNED IN ACCORDANCE WITH ASTM E2112

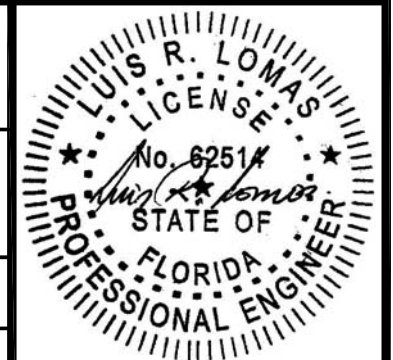
SIGNED: 04/06/2023

US ALUMINUM
 950 SOLON RD.
 WAXAHACHIE, TX 75165

STORM WALL XL HURRICANE RESISTANT
 CURTAIN WALL - WET GLAZED - SMI HVHZ
 INSTALLATION DETAILS

DRAWN: R.L.	DWG NO. 08-03021	REV A
SCALE NTS	DATE 12/07/16	SHEET 17 OF 24

L. ROBERTO LOMAS P.E.
 400 S. PALM AVE, INDIALANTIC, FL 32903
 434-688-0609 rllomas@rlomaspe.com



Luis R. Lomas P.E.
 FL No.: 62514

Chart #6
Design pressure for anchoring into wood with (2) anchors per clip

Frame Height (in)	Tributary width (in)								
	24.0	30.0	36.0	42.0	48.0	54.0	60.0	66.0	72.0
60.0	100.0	100.0	100.0	100.0	100.0	100.0	100.0	100.0	100.0
66.0	100.0	100.0	100.0	100.0	100.0	100.0	100.0	100.0	100.0
72.0	100.0	100.0	100.0	100.0	100.0	100.0	100.0	100.0	100.0
78.0	100.0	100.0	100.0	100.0	100.0	100.0	100.0	100.0	100.0
84.0	100.0	100.0	100.0	100.0	100.0	100.0	100.0	100.0	100.0
90.0	100.0	100.0	100.0	100.0	100.0	100.0	100.0	100.0	100.0
96.0	100.0	100.0	100.0	100.0	100.0	100.0	100.0	100.0	100.0
102.0	100.0	100.0	100.0	100.0	100.0	100.0	100.0	100.0	100.0
108.0	100.0	100.0	100.0	100.0	100.0	100.0	100.0	100.0	100.0
114.0	100.0	100.0	100.0	100.0	100.0	100.0	100.0	100.0	100.0
120.0	100.0	100.0	100.0	100.0	100.0	100.0	100.0	100.0	100.0
126.0	100.0	100.0	100.0	100.0	100.0	100.0	100.0	100.0	98.4
132.0	100.0	100.0	100.0	100.0	100.0	100.0	100.0	100.0	93.9
138.0	100.0	100.0	100.0	100.0	100.0	100.0	100.0	98.0	89.9
144.0	100.0	100.0	100.0	100.0	100.0	100.0	100.0	93.9	86.1
150.0	100.0	100.0	100.0	100.0	100.0	100.0	99.2	90.2	82.7
156.0	100.0	100.0	100.0	100.0	100.0	100.0	95.4	86.7	79.5
162.0	100.0	100.0	100.0	100.0	100.0	100.0	91.9	83.5	76.5
168.0	100.0	100.0	100.0	100.0	100.0	98.4	88.6	80.5	73.8
174.0	100.0	100.0	100.0	100.0	100.0	95.0	85.5	77.7	71.3
175.0	100.0	100.0	100.0	100.0	100.0	94.5	85.0	77.3	70.9

Chart #7
Design pressure for anchoring into wood with (4) anchors per clip

Frame Height (in)	Tributary width (in)								
	24.0	30.0	36.0	42.0	48.0	54.0	60.0	66.0	72.0
60.0	100.0	100.0	100.0	100.0	100.0	100.0	100.0	100.0	100.0
66.0	100.0	100.0	100.0	100.0	100.0	100.0	100.0	100.0	100.0
72.0	100.0	100.0	100.0	100.0	100.0	100.0	100.0	100.0	100.0
78.0	100.0	100.0	100.0	100.0	100.0	100.0	100.0	100.0	100.0
84.0	100.0	100.0	100.0	100.0	100.0	100.0	100.0	100.0	100.0
90.0	100.0	100.0	100.0	100.0	100.0	100.0	100.0	100.0	100.0
96.0	100.0	100.0	100.0	100.0	100.0	100.0	100.0	100.0	100.0
102.0	100.0	100.0	100.0	100.0	100.0	100.0	100.0	100.0	100.0
108.0	100.0	100.0	100.0	100.0	100.0	100.0	100.0	100.0	100.0
114.0	100.0	100.0	100.0	100.0	100.0	100.0	100.0	100.0	100.0
120.0	100.0	100.0	100.0	100.0	100.0	100.0	100.0	100.0	100.0
126.0	100.0	100.0	100.0	100.0	100.0	100.0	100.0	100.0	100.0
132.0	100.0	100.0	100.0	100.0	100.0	100.0	100.0	100.0	100.0
138.0	100.0	100.0	100.0	100.0	100.0	100.0	100.0	100.0	100.0
144.0	100.0	100.0	100.0	100.0	100.0	100.0	100.0	100.0	100.0
150.0	100.0	100.0	100.0	100.0	100.0	100.0	100.0	100.0	100.0
156.0	100.0	100.0	100.0	100.0	100.0	100.0	100.0	100.0	100.0
162.0	100.0	100.0	100.0	100.0	100.0	100.0	100.0	100.0	100.0
168.0	100.0	100.0	100.0	100.0	100.0	100.0	100.0	100.0	100.0
174.0	100.0	100.0	100.0	100.0	100.0	100.0	100.0	100.0	100.0
175.0	100.0	100.0	100.0	100.0	100.0	100.0	100.0	100.0	100.0

REVISIONS			
REV	DESCRIPTION	DATE	APPROVED
A	CHANGE MANUFACTURER'S NAME	04/06/2023	R.L.

Chart #8
Design pressure for anchoring into metal structure with (2) or (4) anchors per clip

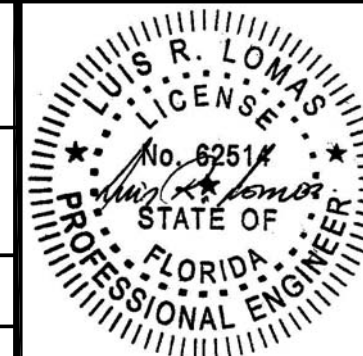
Frame Height (in)	Tributary width (in)								
	24.0	30.0	36.0	42.0	48.0	54.0	60.0	66.0	72.0
60.0	100.0	100.0	100.0	100.0	100.0	100.0	100.0	100.0	100.0
66.0	100.0	100.0	100.0	100.0	100.0	100.0	100.0	100.0	100.0
72.0	100.0	100.0	100.0	100.0	100.0	100.0	100.0	100.0	100.0
78.0	100.0	100.0	100.0	100.0	100.0	100.0	100.0	100.0	100.0
84.0	100.0	100.0	100.0	100.0	100.0	100.0	100.0	100.0	100.0
90.0	100.0	100.0	100.0	100.0	100.0	100.0	100.0	100.0	100.0
96.0	100.0	100.0	100.0	100.0	100.0	100.0	100.0	100.0	100.0
102.0	100.0	100.0	100.0	100.0	100.0	100.0	100.0	100.0	100.0
108.0	100.0	100.0	100.0	100.0	100.0	100.0	100.0	100.0	100.0
114.0	100.0	100.0	100.0	100.0	100.0	100.0	100.0	100.0	100.0
120.0	100.0	100.0	100.0	100.0	100.0	100.0	100.0	100.0	100.0
126.0	100.0	100.0	100.0	100.0	100.0	100.0	100.0	100.0	100.0
132.0	100.0	100.0	100.0	100.0	100.0	100.0	100.0	100.0	100.0
138.0	100.0	100.0	100.0	100.0	100.0	100.0	100.0	100.0	100.0
144.0	100.0	100.0	100.0	100.0	100.0	100.0	100.0	100.0	100.0
150.0	100.0	100.0	100.0	100.0	100.0	100.0	100.0	100.0	100.0
156.0	100.0	100.0	100.0	100.0	100.0	100.0	100.0	100.0	100.0
162.0	100.0	100.0	100.0	100.0	100.0	100.0	100.0	100.0	100.0
168.0	100.0	100.0	100.0	100.0	100.0	100.0	100.0	100.0	100.0
174.0	100.0	100.0	100.0	100.0	100.0	100.0	100.0	100.0	100.0
175.0	100.0	100.0	100.0	100.0	100.0	100.0	100.0	100.0	100.0

Chart #9
Design pressure for anchoring into concrete with (2) or (4) anchors per clip

Frame Height (in)	Tributary width (in)								
	24.0	30.0	36.0	42.0	48.0	54.0	60.0	66.0	72.0
60.0	100.0	100.0	100.0	100.0	100.0	100.0	100.0	100.0	100.0
66.0	100.0	100.0	100.0	100.0	100.0	100.0	100.0	100.0	100.0
72.0	100.0	100.0	100.0	100.0	100.0	100.0	100.0	100.0	100.0
78.0	100.0	100.0	100.0	100.0	100.0	100.0	100.0	100.0	100.0
84.0	100.0	100.0	100.0	100.0	100.0	100.0	100.0	100.0	100.0
90.0	100.0	100.0	100.0	100.0	100.0	100.0	100.0	100.0	100.0
96.0	100.0	100.0	100.0	100.0	100.0	100.0	100.0	100.0	100.0
102.0	100.0	100.0	100.0	100.0	100.0	100.0	100.0	100.0	100.0
108.0	100.0	100.0	100.0	100.0	100.0	100.0	100.0	100.0	100.0
114.0	100.0	100.0	100.0	100.0	100.0	100.0	100.0	100.0	100.0
120.0	100.0	100.0	100.0	100.0	100.0	100.0	100.0	100.0	100.0
126.0	100.0	100.0	100.0	100.0	100.0	100.0	100.0	100.0	100.0
132.0	100.0	100.0	100.0	100.0	100.0	100.0	100.0	100.0	100.0
138.0	100.0	100.0	100.0	100.0	100.0	100.0	100.0	100.0	100.0
144.0	100.0	100.0	100.0	100.0	100.0	100.0	100.0	100.0	100.0
150.0	100.0	100.0	100.0	100.0	100.0	100.0	100.0	100.0	100.0
156.0	100.0	100.0	100.0	100.0	100.0	100.0	100.0	100.0	100.0
162.0	100.0	100.0	100.0	100.0	100.0	100.0	100.0	100.0	100.0
168.0	100.0	100.0	100.0	100.0	100.0	100.0	100.0	100.0	100.0
174.0	100.0	100.0	100.0	100.0	100.0	100.0	100.0	100.0	100.0
175.0	100.0	100.0	100.0	100.0	100.0	100.0	100.0	100.0	100.0

SIGNED: 04/06/2023

US ALUMINUM 950 SOLON RD. WAXAHACHIE, TX 75165		
STORM WALL XL HURRICANE RESISTANT CURTAIN WALL – WET GLAZED – SMI HVHZ INSTALLATION DETAILS RATING CHARTS		
DRAWN: R.L.	DWG NO. 08-03021	REV A
SCALE NTS	DATE 12/07/16	SHEET 18 OF 24
L. ROBERTO LOMAS P.E. 400 S. PALM AVE, INDIALANTIC, FL 32903 434-688-0609 rllomas@rlomaspe.com		



Luis R. Lomas P.E.
FL No.: 62514

Chart #10
Design pressure for anchoring into wood with (2) anchors per clip

Frame Height (in)	Tributary width (in)								
	24.0	30.0	36.0	42.0	48.0	54.0	60.0	66.0	72.0
60.0	100.0	100.0	100.0	100.0	100.0	100.0	100.0	100.0	100.0
66.0	100.0	100.0	100.0	100.0	100.0	100.0	100.0	100.0	93.9
72.0	100.0	100.0	100.0	100.0	100.0	100.0	100.0	93.9	86.1
78.0	100.0	100.0	100.0	100.0	100.0	100.0	95.4	86.7	79.5
84.0	100.0	100.0	100.0	100.0	100.0	98.4	88.6	80.5	73.8
90.0	100.0	100.0	100.0	100.0	100.0	91.9	82.7	75.2	68.9
96.0	100.0	100.0	100.0	100.0	96.9	86.1	77.5	70.5	64.6
102.0	100.0	100.0	100.0	100.0	91.2	81.0	72.9	66.3	60.8
108.0	100.0	100.0	100.0	98.4	86.1	76.5	68.9	62.6	57.4
114.0	100.0	100.0	100.0	93.2	81.6	72.5	65.3	59.3	54.4
120.0	100.0	100.0	100.0	88.6	77.5	68.9	62.0	56.4	51.7
126.0	100.0	100.0	98.4	84.4	73.8	65.6	59.0	53.7	49.2
132.0	100.0	100.0	93.9	80.5	70.5	62.6	56.4	51.2	47.0
138.0	100.0	100.0	89.9	77.0	67.4	59.9	53.9	49.0	44.9
144.0	100.0	100.0	86.1	73.8	64.6	57.4	51.7	47.0	43.1
150.0	100.0	99.2	82.7	70.9	62.0	55.1	49.6	45.1	41.3
156.0	100.0	95.4	79.5	68.1	59.6	53.0	47.7	43.4	39.7
162.0	100.0	91.9	76.5	65.6	57.4	51.0	45.9	41.8	38.3
168.0	100.0	88.6	73.8	63.3	55.4	49.2	44.3	40.3	36.9
174.0	100.0	85.5	71.3	61.1	53.4	47.5	42.8	38.9	35.6
175.0	100.0	85.0	70.9	60.7	53.1	47.2	42.5	38.6	35.4

Chart #11
Design pressure for anchoring into wood with (4) anchors per clip

Frame Height (in)	Tributary width (in)								
	24.0	30.0	36.0	42.0	48.0	54.0	60.0	66.0	72.0
60.0	100.0	100.0	100.0	100.0	100.0	100.0	100.0	100.0	100.0
66.0	100.0	100.0	100.0	100.0	100.0	100.0	100.0	100.0	100.0
72.0	100.0	100.0	100.0	100.0	100.0	100.0	100.0	100.0	100.0
78.0	100.0	100.0	100.0	100.0	100.0	100.0	100.0	100.0	100.0
84.0	100.0	100.0	100.0	100.0	100.0	100.0	100.0	100.0	100.0
90.0	100.0	100.0	100.0	100.0	100.0	100.0	100.0	100.0	100.0
96.0	100.0	100.0	100.0	100.0	100.0	100.0	100.0	100.0	100.0
102.0	100.0	100.0	100.0	100.0	100.0	100.0	100.0	100.0	100.0
108.0	100.0	100.0	100.0	100.0	100.0	100.0	100.0	100.0	100.0
114.0	100.0	100.0	100.0	100.0	100.0	100.0	100.0	100.0	100.0
120.0	100.0	100.0	100.0	100.0	100.0	100.0	100.0	100.0	100.0
126.0	100.0	100.0	100.0	100.0	100.0	100.0	100.0	100.0	98.4
132.0	100.0	100.0	100.0	100.0	100.0	100.0	100.0	100.0	93.9
138.0	100.0	100.0	100.0	100.0	100.0	100.0	100.0	98.0	89.9
144.0	100.0	100.0	100.0	100.0	100.0	100.0	100.0	93.9	86.1
150.0	100.0	100.0	100.0	100.0	100.0	100.0	99.2	90.2	82.7
156.0	100.0	100.0	100.0	100.0	100.0	100.0	95.4	86.7	79.5
162.0	100.0	100.0	100.0	100.0	100.0	100.0	91.9	83.5	76.5
168.0	100.0	100.0	100.0	100.0	100.0	98.4	88.6	80.5	73.8
174.0	100.0	100.0	100.0	100.0	100.0	95.0	85.5	77.7	71.3
175.0	100.0	100.0	100.0	100.0	100.0	94.5	85.0	77.3	70.9

REVISIONS			
REV	DESCRIPTION	DATE	APPROVED
A	CHANGE MANUFACTURER'S NAME	04/06/2023	R.L.

Chart #14
Design pressure for anchoring into concrete with (4) anchors per clip

Frame Height (in)	Tributary width (in)								
	24.0	30.0	36.0	42.0	48.0	54.0	60.0	66.0	72.0
60.0	100.0	100.0	100.0	100.0	100.0	100.0	100.0	100.0	100.0
66.0	100.0	100.0	100.0	100.0	100.0	100.0	100.0	100.0	100.0
72.0	100.0	100.0	100.0	100.0	100.0	100.0	100.0	100.0	100.0
78.0	100.0	100.0	100.0	100.0	100.0	100.0	100.0	100.0	100.0
84.0	100.0	100.0	100.0	100.0	100.0	100.0	100.0	100.0	100.0
90.0	100.0	100.0	100.0	100.0	100.0	100.0	100.0	100.0	100.0
96.0	100.0	100.0	100.0	100.0	100.0	100.0	100.0	100.0	100.0
102.0	100.0	100.0	100.0	100.0	100.0	100.0	100.0	100.0	100.0
108.0	100.0	100.0	100.0	100.0	100.0	100.0	100.0	100.0	100.0
114.0	100.0	100.0	100.0	100.0	100.0	100.0	100.0	100.0	100.0
120.0	100.0	100.0	100.0	100.0	100.0	100.0	100.0	100.0	100.0
126.0	100.0	100.0	100.0	100.0	100.0	100.0	100.0	100.0	100.0
132.0	100.0	100.0	100.0	100.0	100.0	100.0	100.0	100.0	100.0
138.0	100.0	100.0	100.0	100.0	100.0	100.0	100.0	100.0	100.0
144.0	100.0	100.0	100.0	100.0	100.0	100.0	100.0	100.0	100.0
150.0	100.0	100.0	100.0	100.0	100.0	100.0	100.0	100.0	100.0
156.0	100.0	100.0	100.0	100.0	100.0	100.0	100.0	100.0	100.0
162.0	100.0	100.0	100.0	100.0	100.0	100.0	100.0	100.0	100.0
168.0	100.0	100.0	100.0	100.0	100.0	100.0	100.0	100.0	100.0
174.0	100.0	100.0	100.0	100.0	100.0	100.0	100.0	100.0	100.0
175.0	100.0	100.0	100.0	100.0	100.0	100.0	100.0	100.0	100.0

Chart #12
Design pressure for anchoring into metal structure with (2) or (4) anchors per clip

Frame Height (in)	Tributary width (in)								
	24.0	30.0	36.0	42.0	48.0	54.0	60.0	66.0	72.0
60.0	100.0	100.0	100.0	100.0	100.0	100.0	100.0	100.0	100.0
66.0	100.0	100.0	100.0	100.0	100.0	100.0	100.0	100.0	100.0
72.0	100.0	100.0	100.0	100.0	100.0	100.0	100.0	100.0	100.0
78.0	100.0	100.0	100.0	100.0	100.0	100.0	100.0	100.0	100.0
84.0	100.0	100.0	100.0	100.0	100.0	100.0	100.0	100.0	100.0
90.0	100.0	100.0	100.0	100.0	100.0	100.0	100.0	100.0	100.0
96.0	100.0	100.0	100.0	100.0	100.0	100.0	100.0	100.0	100.0
102.0	100.0	100.0	100.0	100.0	100.0	100.0	100.0	100.0	100.0
108.0	100.0	100.0	100.0	100.0	100.0	100.0	100.0	100.0	100.0
114.0	100.0	100.0	100.0	100.0	100.0	100.0	100.0	100.0	100.0
120.0	100.0	100.0	100.0	100.0	100.0	100.0	100.0	100.0	100.0
126.0	100.0	100.0	100.0	100.0	100.0	100.0	100.0	100.0	100.0
132.0	100.0	100.0	100.0	100.0	100.0	100.0	100.0	100.0	100.0
138.0	100.0	100.0	100.0	100.0	100.0	100.0	100.0	100.0	100.0
144.0	100.0	100.0	100.0	100.0	100.0	100.0	100.0	100.0	100.0
150.0	100.0	100.0	100.0	100.0	100.0	100.0	100.0	100.0	100.0
156.0	100.0	100.0	100.0	100.0	100.0	100.0	100.0	100.0	100.0
162.0	100.0	100.0	100.0	100.0	100.0	100.0	100.0	100.0	100.0
168.0	100.0	100.0	100.0	100.0	100.0	100.0	100.0	100.0	100.0
174.0	100.0	100.0	100.0	100.0	100.0	100.0	100.0	100.0	100.0
175.0	100.0	100.0	100.0	100.0	100.0	100.0	100.0	100.0	100.0

Chart #13
Design pressure for anchoring into concrete with (2) anchors per clip

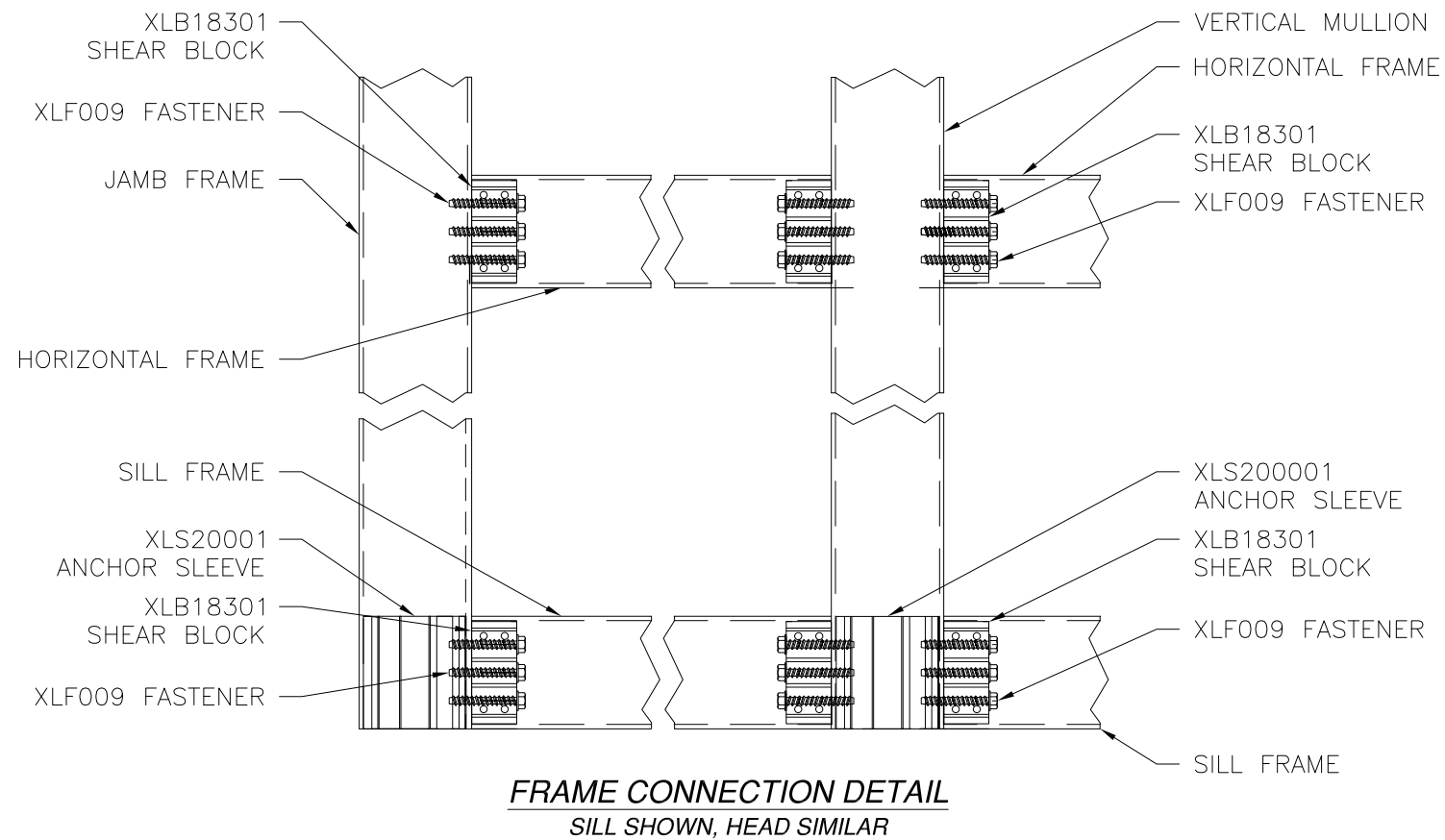
Frame Height (in)	Tributary width (in)								
	24.0	30.0	36.0	42.0	48.0	54.0	60.0	66.0	72.0
60.0	100.0	100.0	100.0	100.0	100.0	100.0	100.0	100.0	100.0
66.0	100.0	100.0	100.0	100.0	100.0	100.0	100.0	100.0	100.0
72.0	100.0	100.0	100.0	100.0	100.0	100.0	100.0	100.0	100.0
78.0	100.0	100.0	100.0	100.0	100.0	100.0	100.0	100.0	100.0
84.0	100.0	100.0	100.0	100.0	100.0	100.0	100.0	100.0	100.0
90.0	100.0	100.0	100.0	100.0	100.0	100.0	100.0	100.0	100.0
96.0	100.0	100.0	100.0	100.0	100.0	100.0	100.0	100.0	100.0
102.0	100.0	100.0	100.0	100.0	100.0	100.0	100.0	100.0	100.0
108.0	100.0	100.0	100.0	100.0	100.0	100.0	100.0	100.0	100.0
114.0	100.0	100.0	100.0	100.0	100.0	100.0	100.0	100.0	100.0
120.0	100.0	100.0	100.0	100.0	100.0	100.0	100.0	100.0	100.0
126.0	100.0	100.0	100.0	100.0	100.0	100.0	100.0	100.0	100.0
132.0	100.0	100.0	100.0	100.0	100.0	100.0	100.0	100.0	100.0
138.0	100.0	100.0	100.0	100.0	100.0	100.0	100.0	100.0	96.8
144.0	100.0	100.0	100.0	100.0	100.0	100.0	100.0	100.0	92.8
150.0	100.0	100.0	100.0	100.0	100.0	100.0	100.0	97.2	89.1
156.0	100.0	100.0	100.0	100.0	100.0	100.0	100.0	93.4	85.6
162.0	100.0	100.0	100.0	100.0	100.0	100.0	99.0	90.0	82.5
168.0	100.0	100.0	100.0	100.0	100.0	100.0	95.4	86.8	79.5
174.0	100.0	100.0	100.0	100.0	100.0	100.0	92.1	83.8	76.8
175.0	100.0	100.0	100.0	100.0	100.0	100.0	91.6	83.3	76.3

US ALUMINUM
950 SOLON RD.
WAXAHACHIE, TX 75165

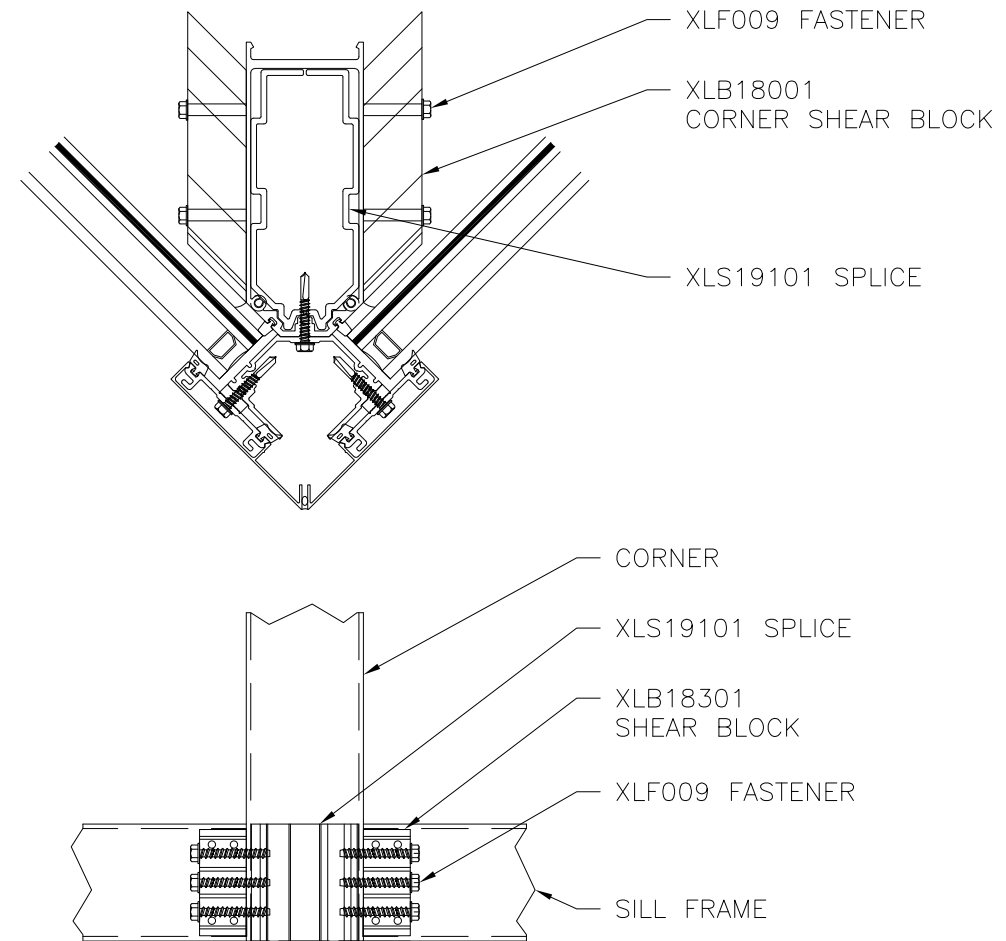
STORM WALL XL HURRICANE RESISTANT
CURTAIN WALL – WET GLAZED – SMI HVHZ
INSTALLATION DETAILS RATING CHARTS

DRAWN: R.L.

REVISIONS			
REV	DESCRIPTION	DATE	APPROVED
A	CHANGE MANUFACTURER'S NAME	04/06/2023	R.L.



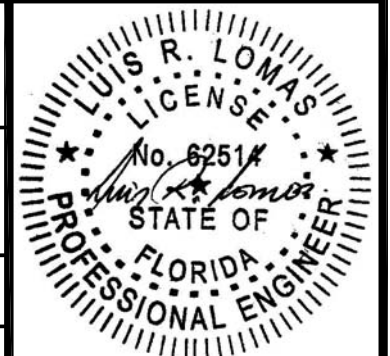
FRAME CONNECTION DETAIL
SILL SHOWN, HEAD SIMILAR



CORNER FRAME CONNECTION DETAIL
SILL SHOWN, HEAD SIMILAR

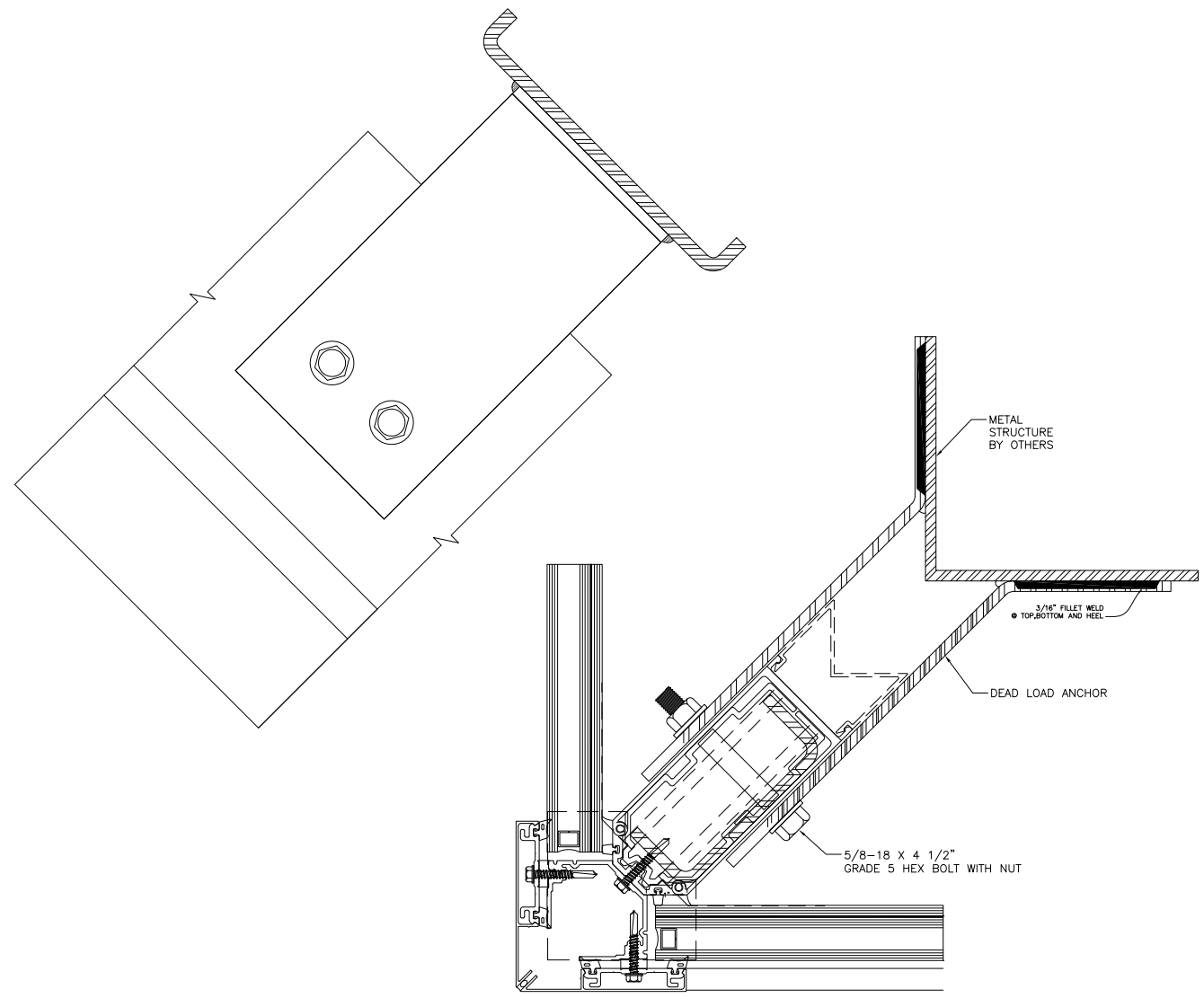
SIGNED: 04/06/2023

US ALUMINUM 950 SOLON RD. WAXAHACHIE, TX 75165		
STORM WALL XL HURRICANE RESISTANT CURTAIN WALL – WET GLAZED – SMI HVHZ INSTALLATION DETAILS		
DRAWN: R.L.	DWG NO. 08-03021	REV A
SCALE NTS	DATE 12/07/16	SHEET 20 OF 24
L. ROBERTO LOMAS P.E. 400 S. PALM AVE, INDIALANTIC, FL 32903 434-688-0609 rllomas@rlomaspe.com		

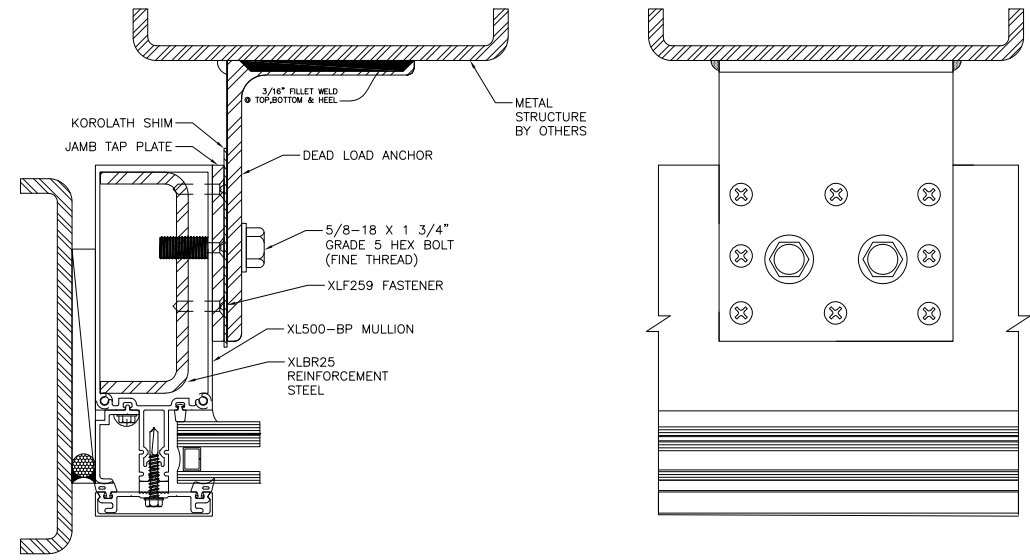


Luis R. Lomas P.E.
FL No.: 62514

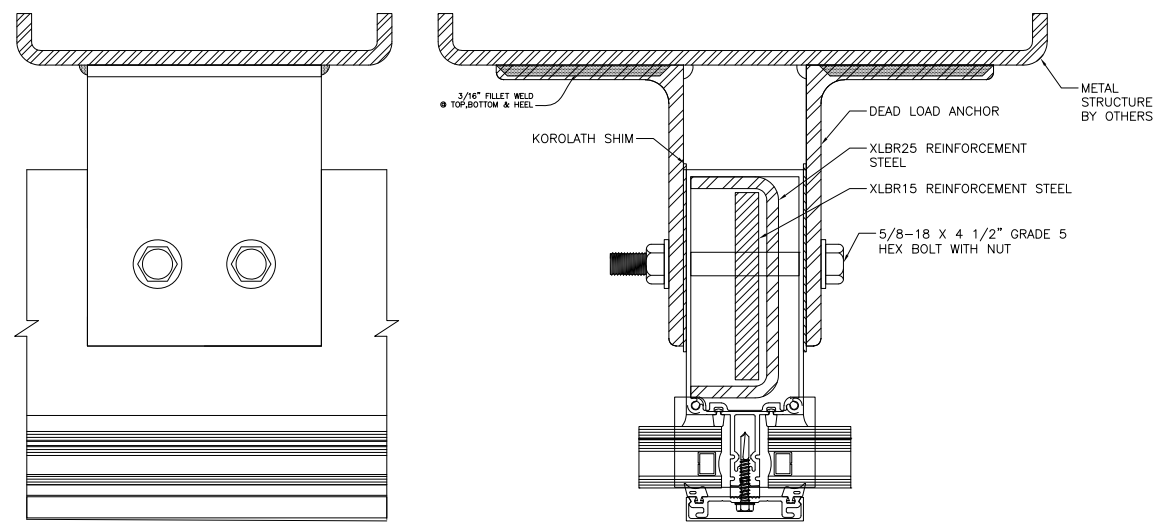
REVISIONS			
REV	DESCRIPTION	DATE	APPROVED
A	CHANGE MANUFACTURER'S NAME	04/06/2023	R.L.



**CORNER DEAD LOAD ANCHORS
AT MIDSPAN DETAIL**



**JAMB DEAD LOAD ANCHORS
AT MIDSPAN DETAIL**



**MULLION DEAD LOAD ANCHORS
AT MIDSPAN DETAIL**

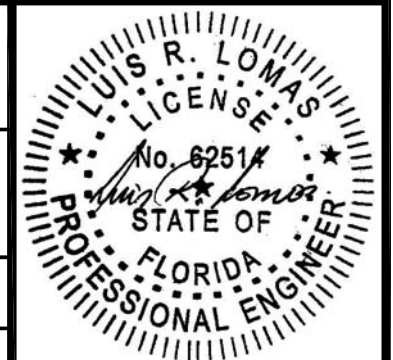
US ALUMINUM
950 SOLON RD.
WAXAHACHIE, TX 75165

STORM WALL XL HURRICANE RESISTANT
CURTAIN WALL – WET GLAZED – SMI HVHZ
INSTALLATION DETAILS

DRAWN: R.L.	DWG NO. 08-03021	REV A
SCALE NTS	DATE 12/07/16	SHEET 21 OF 24

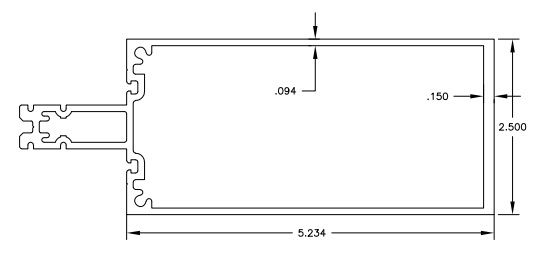
L. ROBERTO LOMAS P.E.
400 S. PALM AVE, INDIALANTIC, FL 32903
434-688-0609 rllomas@rlomaspe.com

SIGNED: 04/06/2023

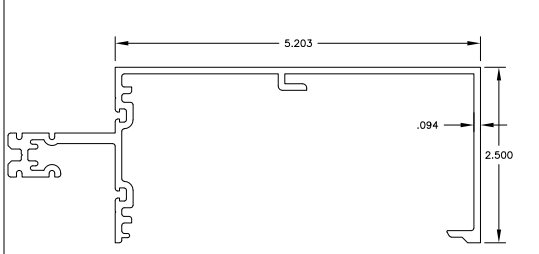


Luis R. Lomas P.E.
FL No.: 62514

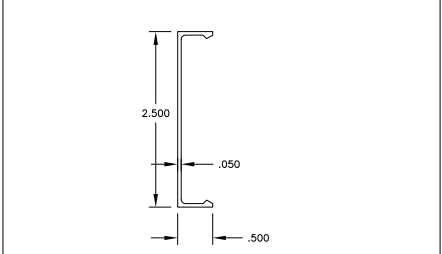
REVISIONS			
REV	DESCRIPTION	DATE	APPROVED
A	CHANGE MANUFACTURER'S NAME	04/06/2023	R.L.



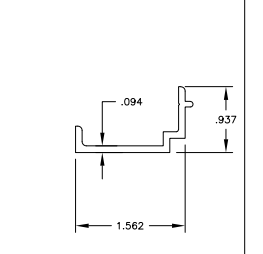
XL500-BP MULLION



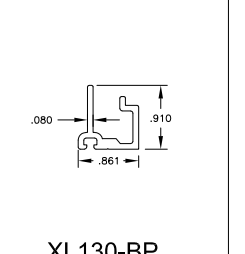
XL532-BP ROLL OVER HORIZONTAL



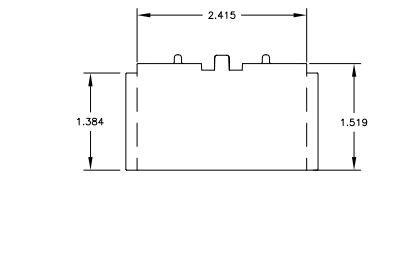
XL110-BP FACE CAP



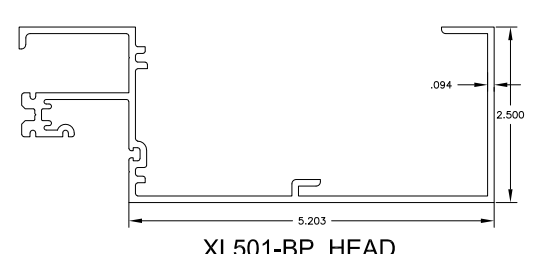
XL122-BP FILLER



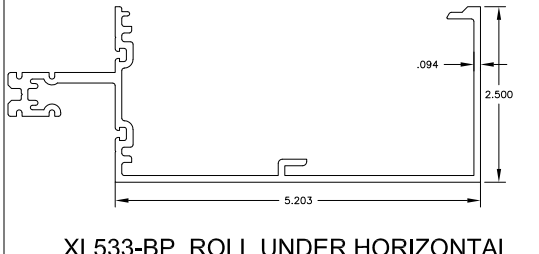
XL130-BP ADAPTOR



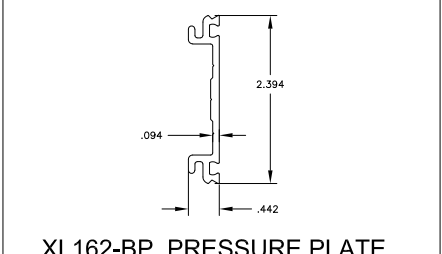
XLD350 SSG BRIDGE



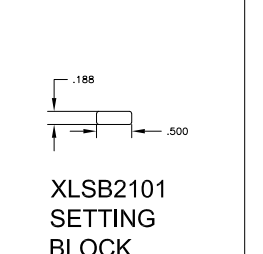
XL501-BP HEAD



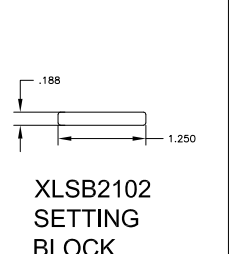
XL533-BP ROLL UNDER HORIZONTAL



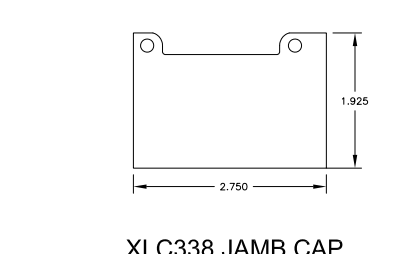
XL162-BP PRESSURE PLATE



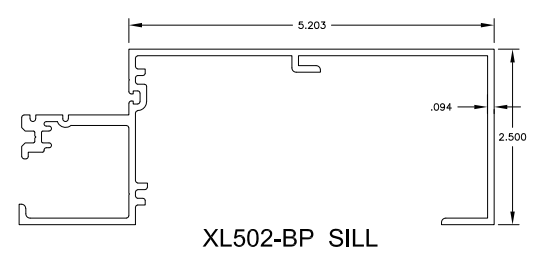
XLSB2101 SETTING BLOCK



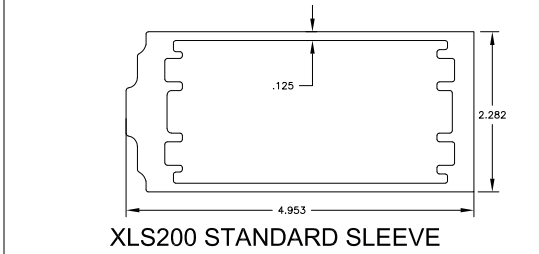
XLSB2102 SETTING BLOCK



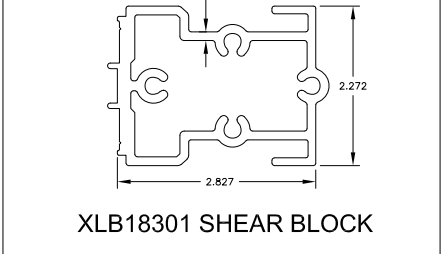
XLC338 JAMB CAP



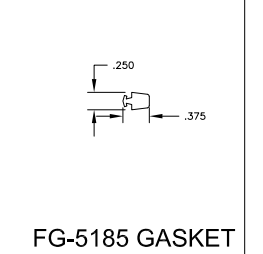
XL502-BP SILL



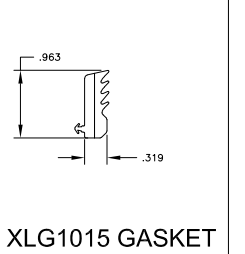
XLS200 STANDARD SLEEVE



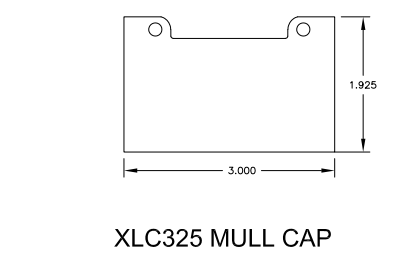
XLB18301 SHEAR BLOCK



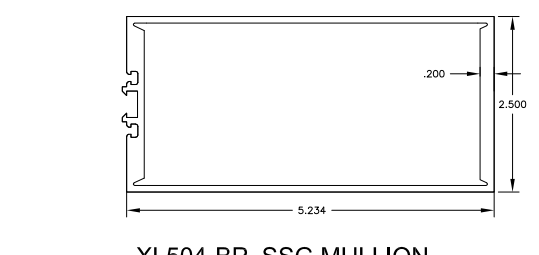
FG-5185 GASKET



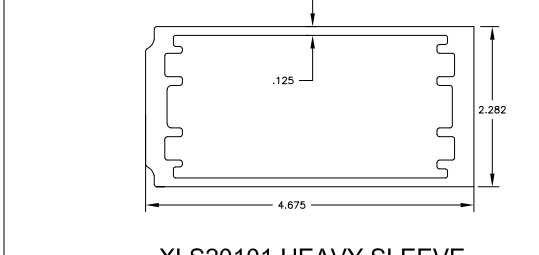
XLG1015 GASKET



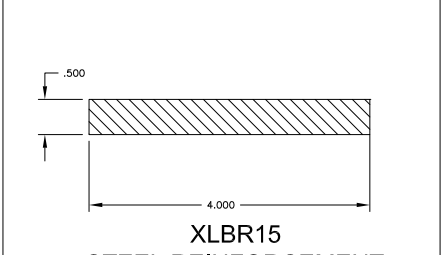
XLC325 MULL CAP



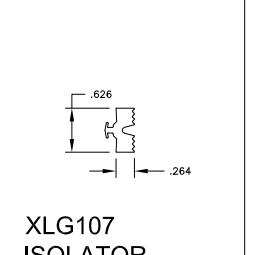
XL504-BP SSG MULLION



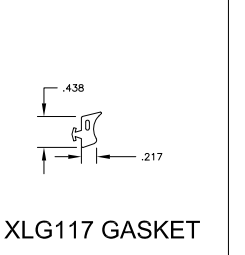
XLS20101 HEAVY SLEEVE



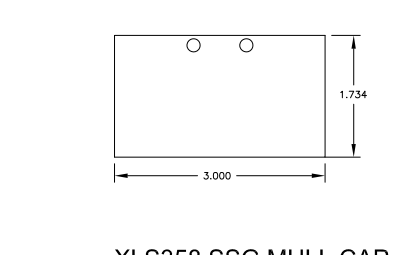
XLBR15 STEEL REINFORCEMENT



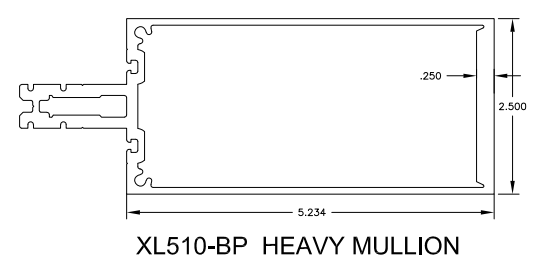
XLG107 ISOLATOR



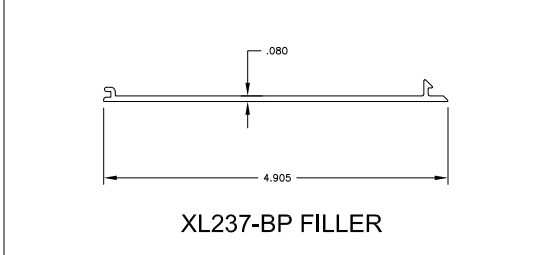
XLG117 GASKET



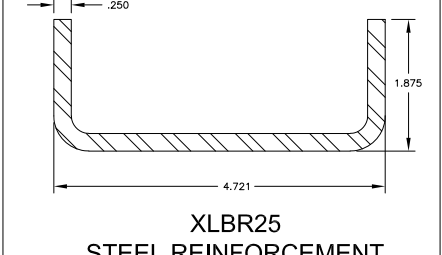
XLS358 SSG MULL CAP



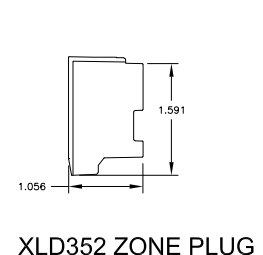
XL510-BP HEAVY MULLION



XL237-BP FILLER



XLBR25 STEEL REINFORCEMENT



XLD352 ZONE PLUG

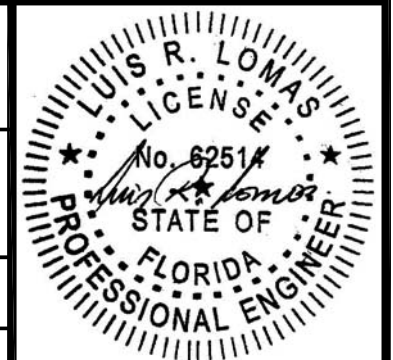
SIGNED: 04/06/2023

US ALUMINUM
950 SOLON RD.
WAXAHACHIE, TX 75165

STORM WALL XL HURRICANE RESISTANT
CURTAIN WALL - WET GLAZED - SMI HVHZ
COMPONENTS

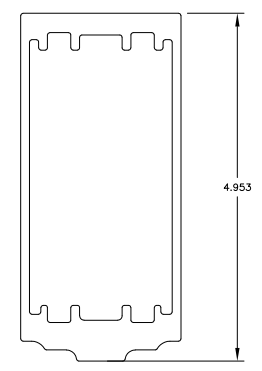
DRAWN: R.L.	DWG NO. 08-03021	REV A
SCALE NTS	DATE 12/07/16	SHEET 22 OF 24

L. ROBERTO LOMAS P.E.
400 S. PALM AVE, INDIALANTIC, FL 32903
434-688-0609 rllomas@rlomaspe.com

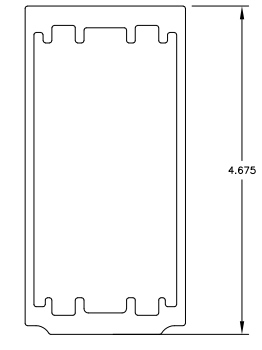


Luis R. Lomas P.E.
FL No.: 62514

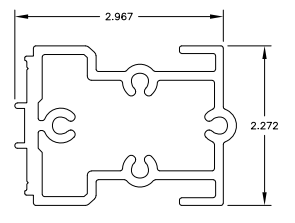
REVISIONS			
REV	DESCRIPTION	DATE	APPROVED
A	CHANGE MANUFACTURER'S NAME	04/06/2023	R.L.



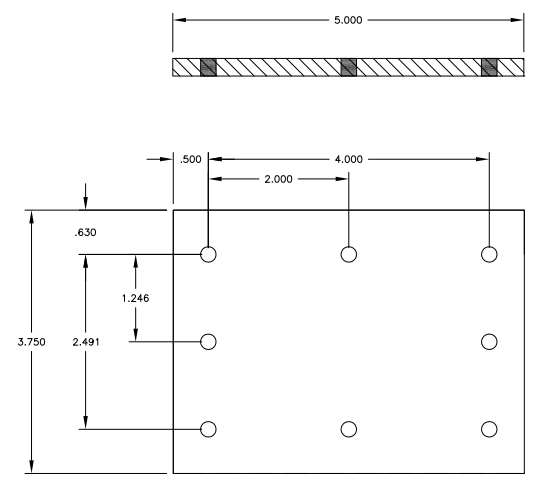
XLS20001
STANDARD ANCHOR SLEEVE



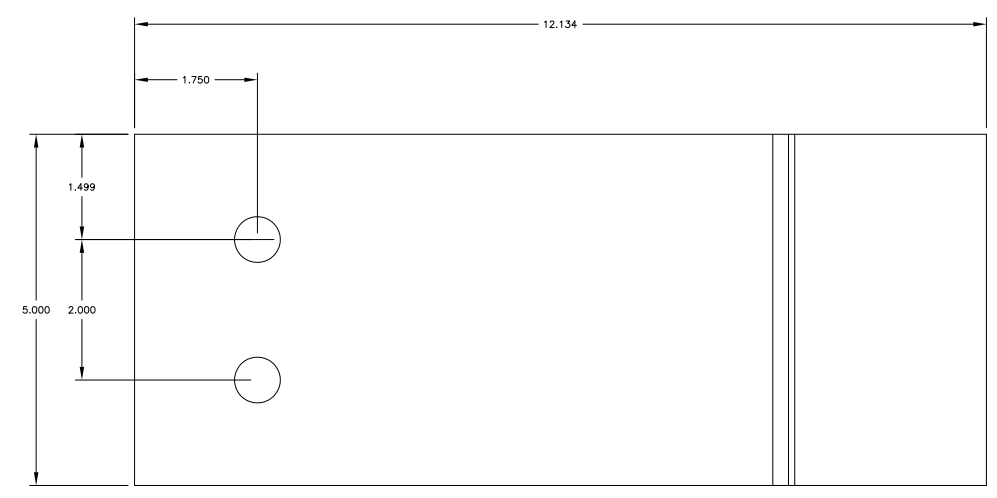
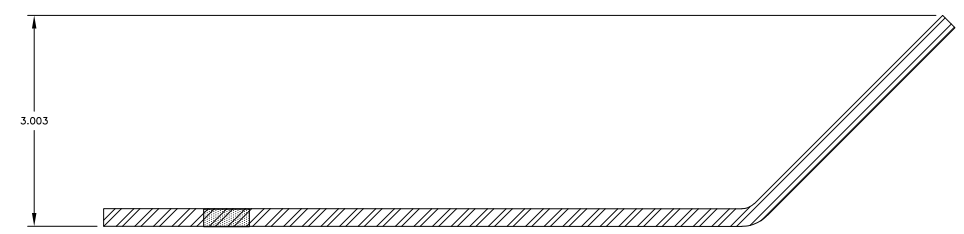
XLS20101 HEAVY
ANCHOR SLEEVE



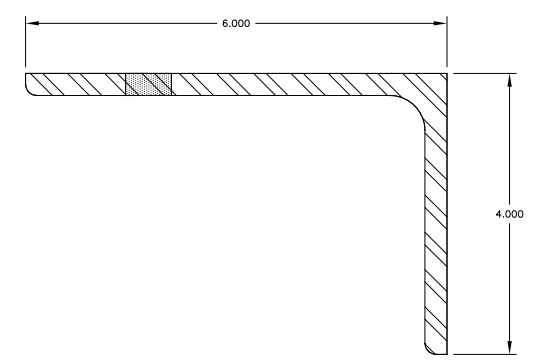
XLB18301
SHEAR BLOCK



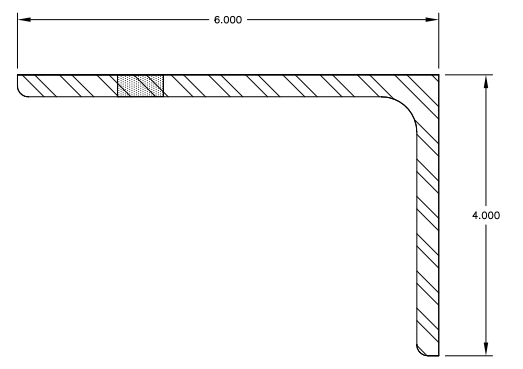
JAMB TAP PLATE
1/4" STEEL



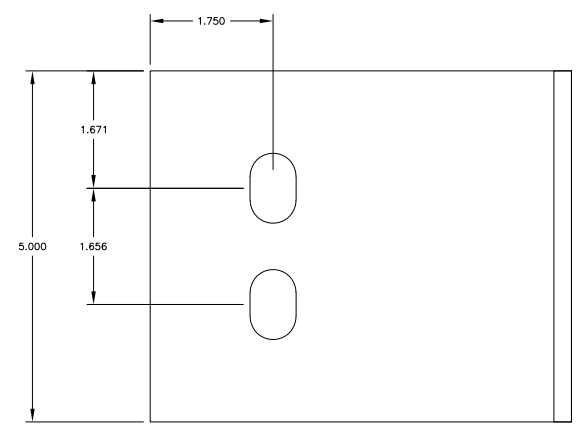
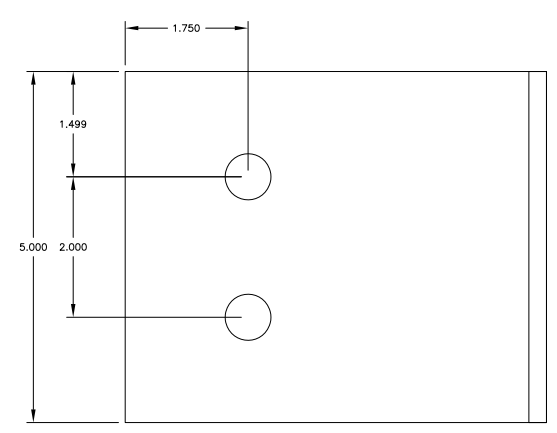
CORNER DEAD LOAD
ANCHOR
5/16" STEEL ANGLE



DEAD LOAD ANCHOR
5/16" STEEL ANGLE



WIND LOAD ANCHOR
5/16" STEEL ANGLE



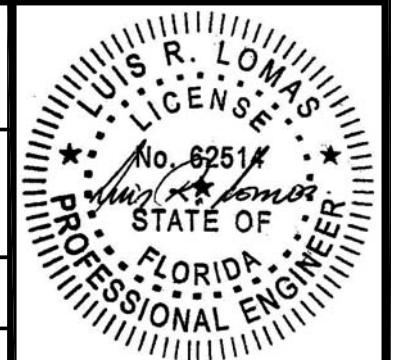
US ALUMINUM
950 SOLON RD.
WAXAHACHIE, TX 75165

STORM WALL XL HURRICANE RESISTANT
CURTAIN WALL – WET GLAZED – SMI HVHZ
COMPONENTS

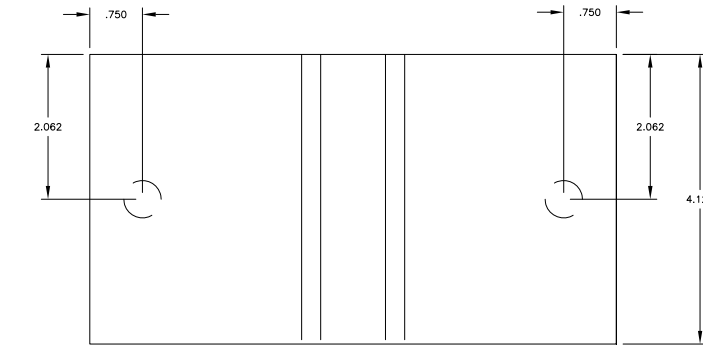
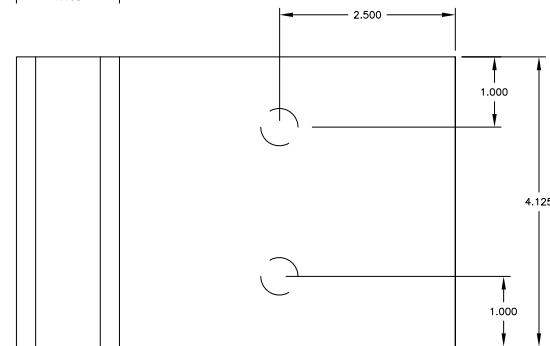
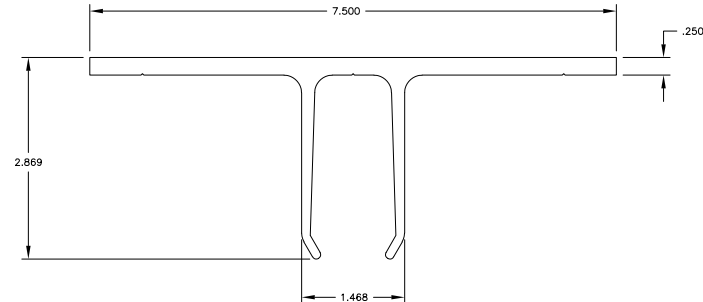
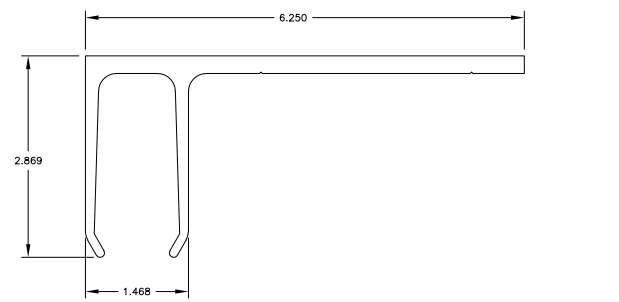
DRAWN: R.L.	DWG NO. 08-03021	REV A
SCALE NTS	DATE 12/07/16	SHEET 23 OF 24

L. ROBERTO LOMAS P.E.
400 S. PALM AVE, INDIALANTIC, FL 32903
434-688-0609 rllomas@rlomaspe.com

SIGNED: 04/06/2023

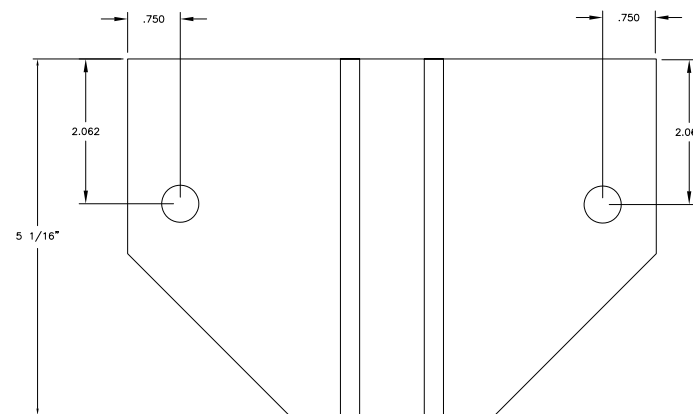
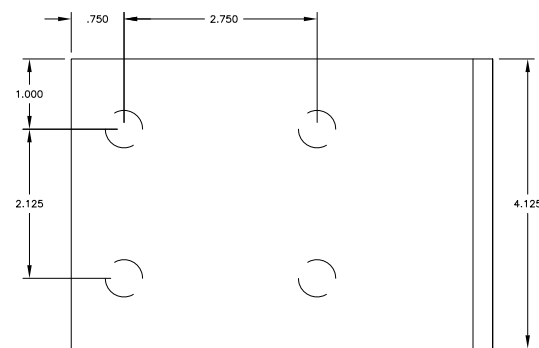
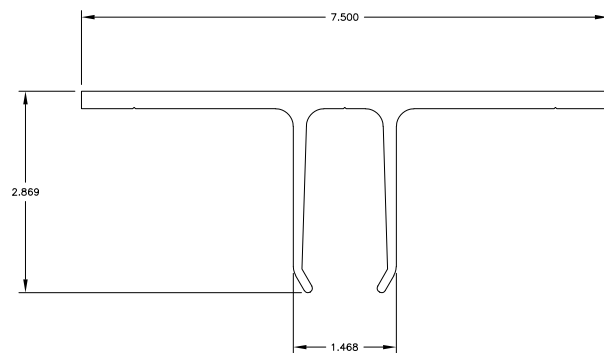
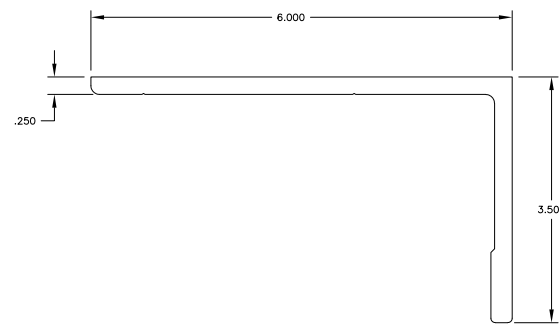


Luis R. Lomas P.E.
FL No.: 62514



XLA10301 "F" ANCHOR CLIP
6063-T6 ALUMINUM

XLA10501 "T" ANCHOR CLIP
6063-T6 ALUMINUM



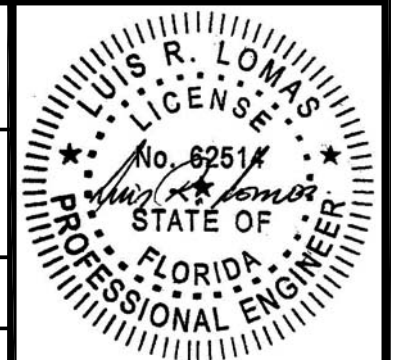
XLA17401 "L" ANCHOR CLIP
6063-T6 ALUMINUM

XLA10503 CORNER "T" ANCHOR CLIP
6063-T6 ALUMINUM

REVISIONS			
REV	DESCRIPTION	DATE	APPROVED
A	CHANGE MANUFACTURER'S NAME	04/06/2023	R.L.

SIGNED: 04/06/2023

US ALUMINUM 950 SOLON RD. WAXAHACHIE, TX 75165		
STORM WALL XL HURRICANE RESISTANT CURTAIN WALL - WET GLAZED - SMI HVHZ COMPONENTS		
DRAWN: R.L.	DWG NO. 08-03021	REV A
SCALE NTS	DATE 12/07/16	SHEET 24 OF 24
L. ROBERTO LOMAS P.E. 400 S. PALM AVE, INDIALANTIC, FL 32903 434-688-0609 rllomas@rlomaspe.com		



Luis R. Lomas P.E.
FL No.: 62514