

REVISIONS			
REV	DESCRIPTION	DATE	APPROVED
A	REVISED PER NEW CODE	10/25/2023	R.L.

NOTES:

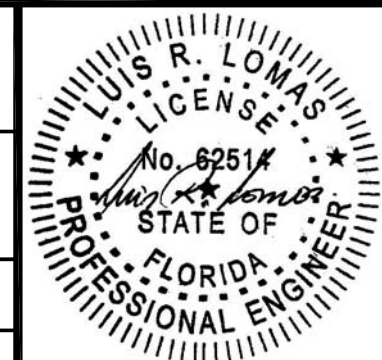
1. THE PRODUCT SHOWN HEREIN IS DESIGNED AND MANUFACTURED TO COMPLY WITH REQUIREMENTS OF THE FLORIDA BUILDING CODE.
2. WOOD FRAMING AND MASONRY OPENING TO BE DESIGNED AND ANCHORED TO PROPERLY TRANSFER ALL LOADS TO STRUCTURE. FRAMING AND MASONRY OPENING IS THE RESPONSIBILITY OF THE ARCHITECT OR ENGINEER OF RECORD.
3. WHERE SHIM OR BUCK THICKNESS IS LESS THAN 1-1/2" WINDOW UNITS MUST BE ANCHORED THROUGH THE FRAME IN ACCORDANCE WITH MANUFACTURER'S PUBLISHED INSTALLATION INSTRUCTIONS. ANCHORS SHALL BE SECURELY FASTENED DIRECTLY INTO MASONRY, CONCRETE OR OTHER STRUCTURAL SUBSTRATE MATERIAL.
4. WHERE WOOD BUCK THICKNESS IS 1-1/2" OR GREATER, BUCK SHALL BE SECURELY FASTENED TO MASONRY, CONCRETE OR OTHER STRUCTURAL SUBSTRATE. WINDOW UNITS MAY BE ANCHORED THROUGH FRAME TO SECURED WOOD BUCK IN ACCORDANCE WITH MANUFACTURER'S PUBLISHED INSTALLATION INSTRUCTIONS.
5. WHERE 1X BUCK IS NOT USED DISSIMILAR MATERIALS MUST BE SEPARATED WITH APPROVED COATING OR MEMBRANE. SELECTION OF COATING OR MEMBRANE IS THE RESPONSIBILITY OF THE ARCHITECT OR ENGINEER OF RECORD.
6. BUCKS SHALL EXTEND BEYOND WINDOW INTERIOR FACE SO THAT FULL FRAME SUPPORT IS PROVIDED.
7. SHIM AS NEEDED AT EACH ANCHOR LOCATION WITH LOAD BEARING SHIM. SHIM WHERE SPACE OF 1/16" OR GREATER OCCURS. MAXIMUM ALLOWABLE SHIM STACK TO BE 1/4".
8. SHIMS SHALL BE LOCATED, APPLIED AND MADE FROM MATERIALS AND THICKNESS CAPABLE OF SUSTAINING APPLICABLE LOADS.
9. WIND LOAD DURATION FACTOR Cd=1.6 WAS USED FOR WOOD ANCHOR CALCULATIONS.
10. FRAME MATERIAL: EXTRUDED RIGID PVC.
11. UNITS MUST BE GLAZED PER ASTM E1300.
12. APPROVED IMPACT PROTECTIVE SYSTEM IS REQUIRED FOR THIS PRODUCT IN WIND BORNE DEBRIS REGIONS.

13. FOR ANCHORING THROUGH FIN INTO WOOD FRAMING OR 2X BUCK USE #6 WOOD SCREWS WITH SUFFICIENT LENGTH TO ACHIEVE A 1 1/4" MINIMUM EMBEDMENT INTO SUBSTRATE. LOCATE ANCHORS AS SHOWN IN ELEVATIONS AND INSTALLATION DETAILS.
14. FOR ANCHORING THROUGH FIN INTO METAL STRUCTURE USE #8 SMS OR SELF DRILLING SCREWS WITH SUFFICIENT LENGTH TO ACHIEVE 3 THREADS MINIMUM BEYOND STRUCTURE INTERIOR WALL. LOCATE ANCHORS AS SHOWN IN ELEVATIONS AND INSTALLATION DETAILS.
15. FOR ANCHORING THROUGH FRAME INTO WOOD FRAMING OR 2X BUCK USE #8 WOOD SCREWS WITH SUFFICIENT LENGTH TO ACHIEVE A 1 1/4" MINIMUM EMBEDMENT INTO SUBSTRATE. LOCATE ANCHORS AS SHOWN IN ELEVATIONS AND INSTALLATION DETAILS.
16. FOR ANCHORING THROUGH FRAME INTO MASONRY/CONCRETE USE 3/16" TAPCONS WITH SUFFICIENT LENGTH TO ACHIEVE A 1 1/4" MINIMUM EMBEDMENT INTO SUBSTRATE WITH 2" MINIMUM EDGE DISTANCE. LOCATE ANCHORS AS SHOWN IN ELEVATIONS AND INSTALLATION DETAILS.
17. FOR ANCHORING THROUGH FRAME INTO METAL STRUCTURE USE #8 SMS OR SELF DRILLING SCREWS WITH SUFFICIENT LENGTH TO ACHIEVE 3 THREADS MINIMUM BEYOND STRUCTURE INTERIOR WALL. LOCATE ANCHORS AS SHOWN IN ELEVATIONS AND INSTALLATION DETAILS.
18. ALL FASTENERS TO BE CORROSION RESISTANT.
19. INSTALLATION ANCHORS SHALL BE INSTALLED IN ACCORDANCE WITH ANCHOR MANUFACTURER'S INSTALLATION INSTRUCTIONS AND ANCHORS SHALL NOT BE USED IN SUBSTRATES WITH STRENGTHS LESS THAN THE MINIMUM STRENGTH SPECIFIED BELOW:
 - 19.1. WOOD: MINIMUM SPECIFIC GRAVITY OF G=0.42
 - 19.2. CONCRETE: MINIMUM COMPRESSIVE STRENGTH OF 2,000 PSI.
 - 19.3. MASONRY: HOLLOW/FILLED BLOCK PER ASTM C90 WITH Fm=2,000PSI MINIMUM.
 - 19.4. METAL STRUCTURE: STEEL 18GA (.048") FY=33KSI/FU=52KSI OR ALUMINUM 6063-T5 FU=30KSI 1/8" THICK MINIMUM

SIGNED: 10/25/2023

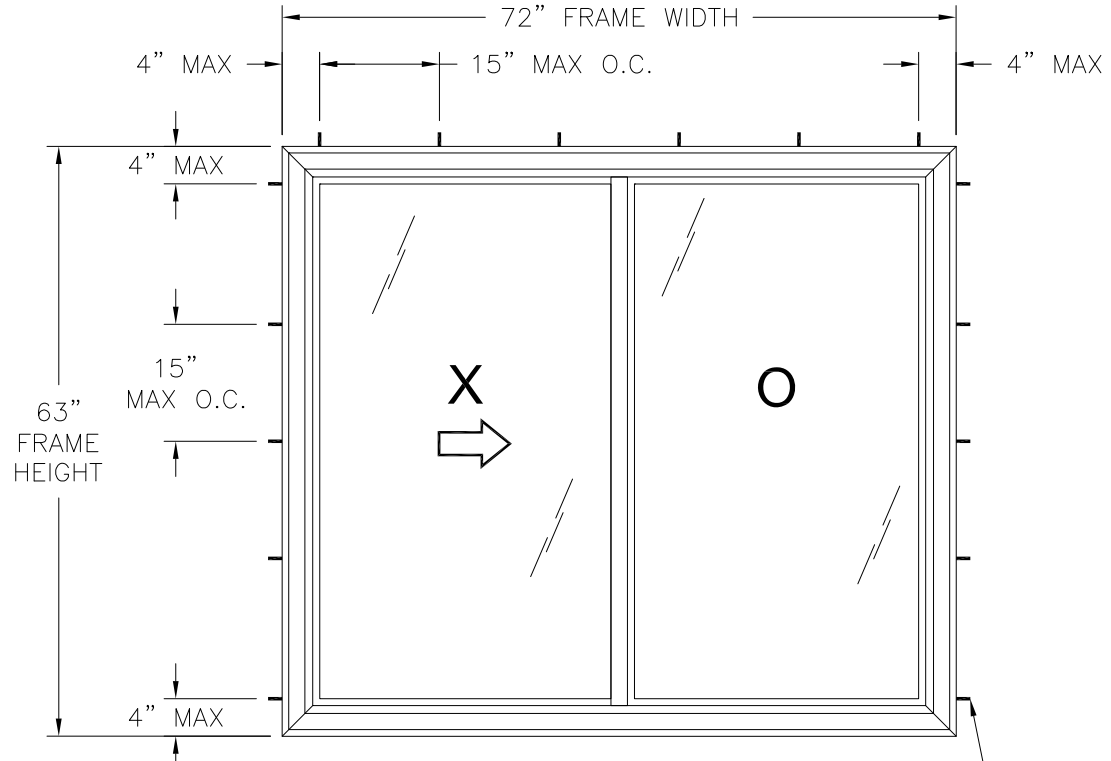
TABLE OF CONTENTS	
SHEET NO.	DESCRIPTION
1	NOTES
2	ELEVATIONS
3 - 12	INSTALLATION DETAILS
13	INSTALLATION DETAILS

MI WINDOWS AND DOORS LLC 650 MARKET STREET GRATZ, PA 17030		
SERIES 1630 HS REINFORCED NON-IMPACT 72" X 63" NOTES		
DRAWN: R.L.	DWG NO. 08-03001	REV A
SCALE NTS	DATE 11/30/16	SHEET 1 OF 13
L. ROBERTO LOMAS P.E. 208 7th Ave, INDIALANTIC, FL 32903 434-688-0609 rllomas@lrlomaspe.com		



Luis R. Lomas P.E.
FL No.: 62514

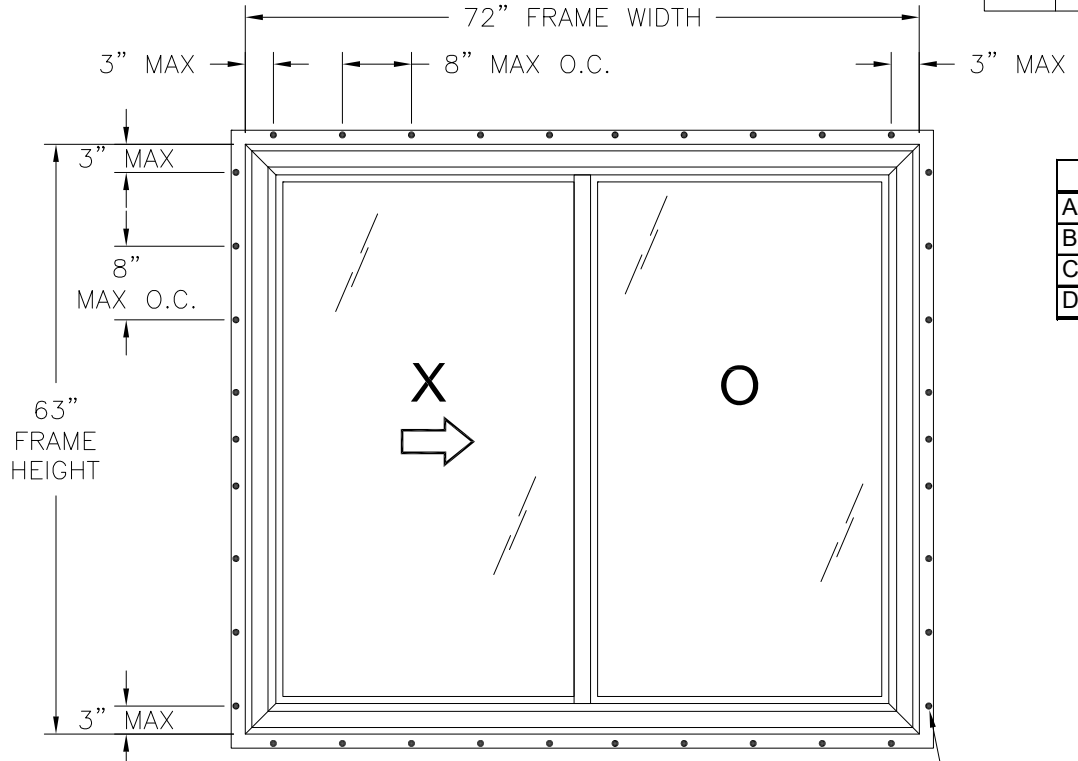
REVISIONS			
REV	DESCRIPTION	DATE	APPROVED
A	REVISED PER NEW CODE	10/25/2023	R.L.



1630 SH REINFORCED
EXTERIOR VIEW
FINLESS & FLANGE INSTALLATION

DESIGN PRESSURE RATING	IMPACT RATING
+30.0/-35.0PSF	NONE

FOR NUMBER OF ANCHORS REQUIRED SEE CHART #1



1630 SH REINFORCED
EXTERIOR VIEW
FIN INSTALLATION

DESIGN PRESSURE RATING	IMPACT RATING
±40.0PSF	NONE

FOR NUMBER OF ANCHORS REQUIRED SEE CHART #2

HARDWARE SCHEDULE	
A.	(2) METAL LOCK WITH KEEPER 14" FROM TOP AND BOTTOM RAIL
B.	(2) SASH WHEELS 1 1/2" FROM STILES ALONG BOTTOM RAIL
C.	ALUMINUM REINFORCEMENT (AE-000162) AT INTERMEDIATE JAMB
D.	ALUMINUM REINFORCEMENT (M-2115) AT SASH LOCKING STILE

- NOTES:
1. SASH SIZE: 35 5/8" X 59 7/8"
2. D.L.O.: 32 1/16" X 58 3/16"

Chart #1

Frame Height (in)	Number of anchor locations required													
	Frame Width (in)													
	36.00		42.00		48.00		54.00		60.00		66.00		72.00	
	Head	Jamb	Head	Jamb	Head	Jamb	Head	Jamb	Head	Jamb	Head	Jamb	Head	Jamb
36.00	3	3	4	3	4	3	5	3	5	3	5	3	6	3
42.00	3	4	4	4	4	4	5	4	5	4	5	4	6	4
48.00	3	4	4	4	4	4	5	4	5	4	5	4	6	4
54.00	3	5	4	5	4	5	5	5	5	5	5	5	6	5
60.00	3	5	4	5	4	5	5	5	5	5	5	5	6	5
63.00	3	5	4	5	4	5	5	5	5	5	5	5	6	5

Chart #2

Frame Height (in)	Number of anchor locations required													
	Frame Width (in)													
	36.00		42.00		48.00		54.00		60.00		66.00		72.00	
	H & S	Jamb	H & S	Jamb	H & S	Jamb	H & S	Jamb	H & S	Jamb	H & S	Jamb	H & S	Jamb
36.00	5	5	6	5	7	5	7	5	8	5	9	5	10	5
42.00	5	6	6	6	7	6	7	6	8	6	9	6	10	6
48.00	5	7	6	7	7	7	7	7	8	7	9	7	10	7
54.00	5	7	6	7	7	7	7	7	8	7	9	7	10	7
60.00	5	8	6	8	7	8	7	8	8	8	9	8	10	8
63.00	5	9	6	9	7	9	7	9	8	9	9	9	10	9

SIGNED: 10/25/2023

MI WINDOWS AND DOORS LLC
650 MARKET STREET
GRATZ, PA 17030

SERIES 1630 HS REINFORCED
NON-IMPACT 72" X 63"
ELEVATIONS

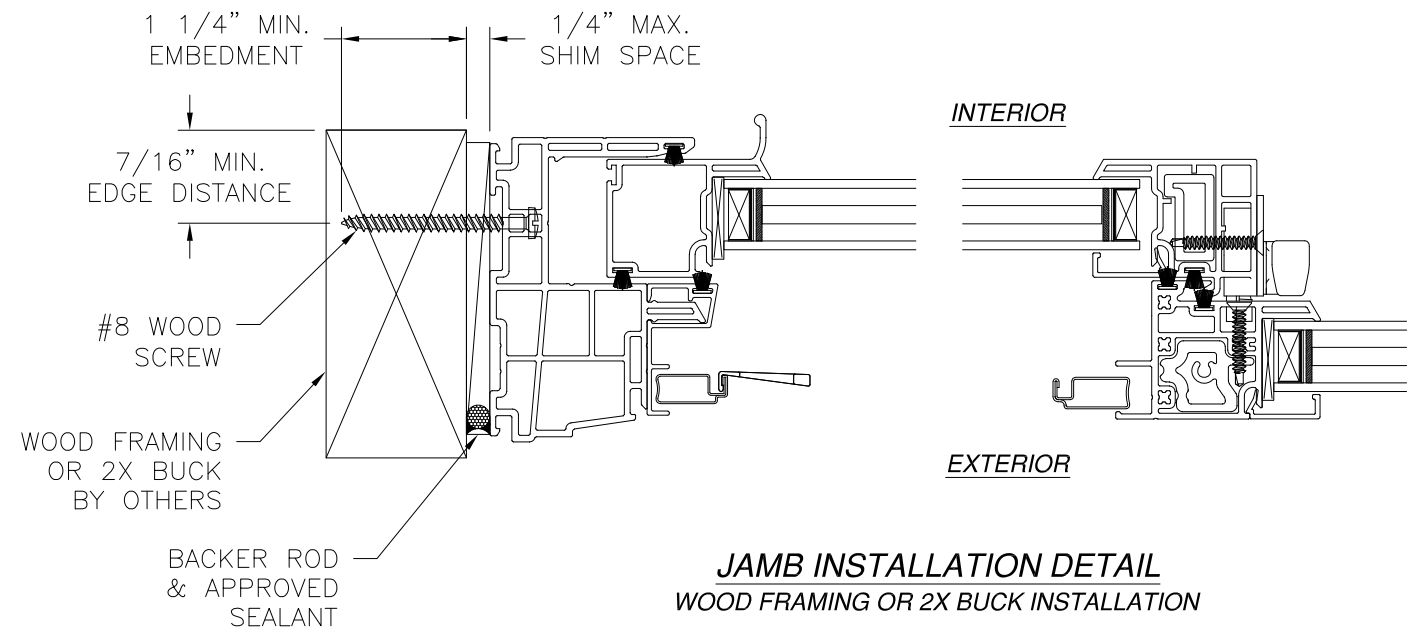
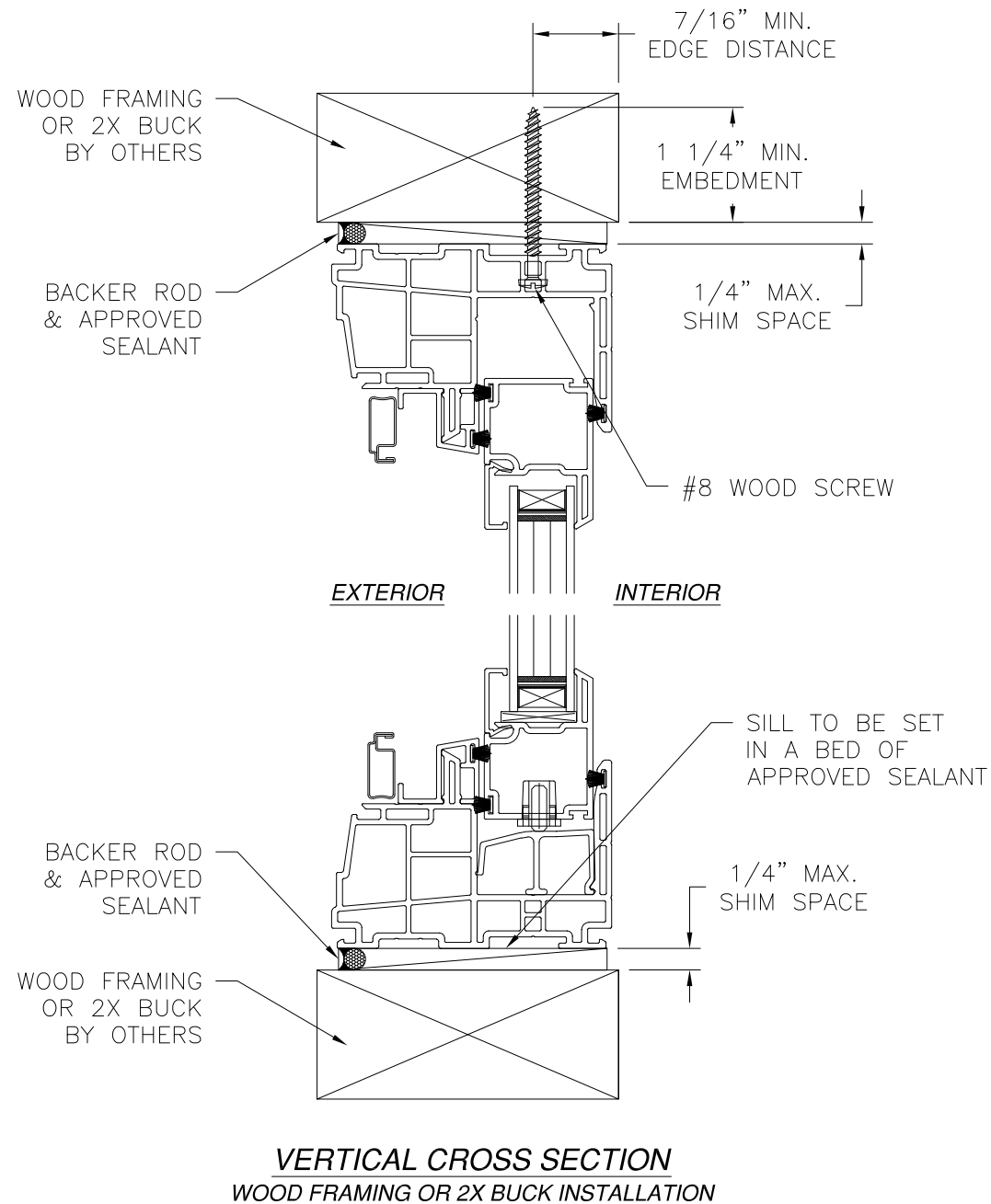
DRAWN: R.L. DWG NO. 08-03001 REV A

SCALE NTS DATE 11/30/16 SHEET 2 OF 13

L. ROBERTO LOMAS P.E.
208 7th Ave, INDIALANTIC, FL 32903
434-688-0609 rllomas@rlomaspe.com

Luis R. Lomas P.E.
FL No.: 62514

REVISIONS			
REV	DESCRIPTION	DATE	APPROVED
A	REVISED PER NEW CODE	10/25/2023	R.L.



- NOTES:
1. INTERIOR AND EXTERIOR FINISHES, BY OTHERS, NOT SHOWN FOR CLARITY.
 2. PERIMETER AND JOINT SEALANT BY OTHERS TO BE DESIGNED IN ACCORDANCE WITH ASTM E2112

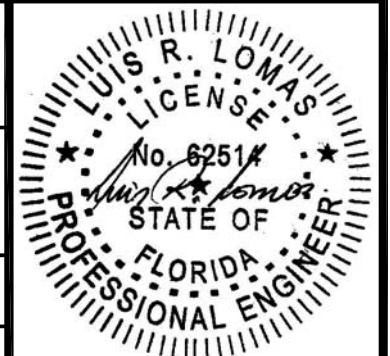
MI WINDOWS AND DOORS LLC
650 MARKET STREET
GRATZ, PA 17030

SERIES 1630 HS REINFORCED
NON-IMPACT 72" X 63"
FINLESS INSTALLATION DETAILS

DRAWN: R.L.	DWG NO. 08-03001	REV A
SCALE NTS	DATE 11/30/16	SHEET 3 OF 13

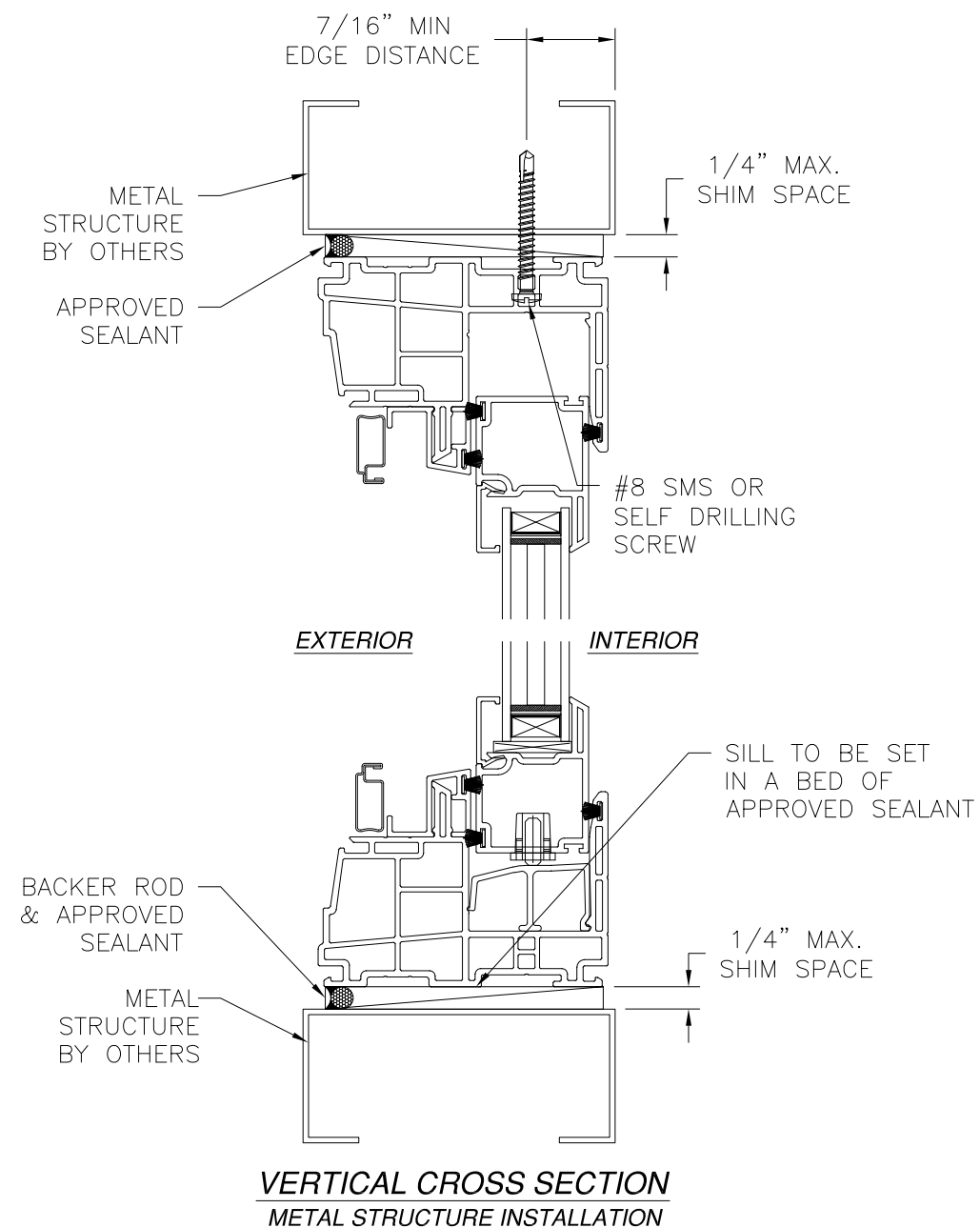
L. ROBERTO LOMAS P.E.
208 7th Ave, INDIALANTIC, FL 32903
434-688-0609 rllomas@lrlomaspe.com

SIGNED: 10/25/2023

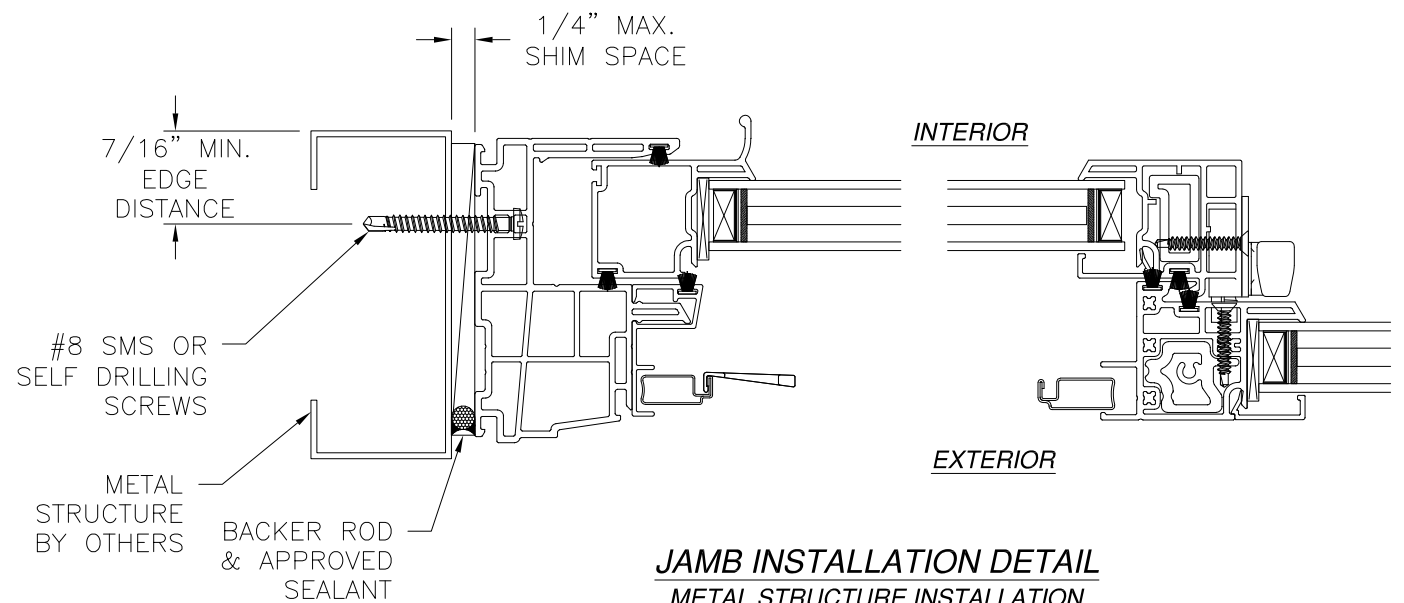


Luis R. Lomas P.E.
FL No.: 62514

REVISIONS			
REV	DESCRIPTION	DATE	APPROVED
A	REVISED PER NEW CODE	10/25/2023	R.L.



VERTICAL CROSS SECTION
METAL STRUCTURE INSTALLATION

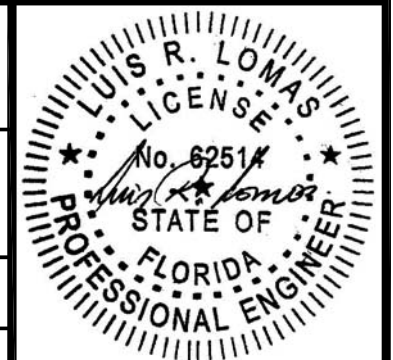


JAMB INSTALLATION DETAIL
METAL STRUCTURE INSTALLATION

- NOTES:**
1. INTERIOR AND EXTERIOR FINISHES, BY OTHERS, NOT SHOWN FOR CLARITY.
 2. PERIMETER AND JOINT SEALANT BY OTHERS TO BE DESIGNED IN ACCORDANCE WITH ASTM E2112

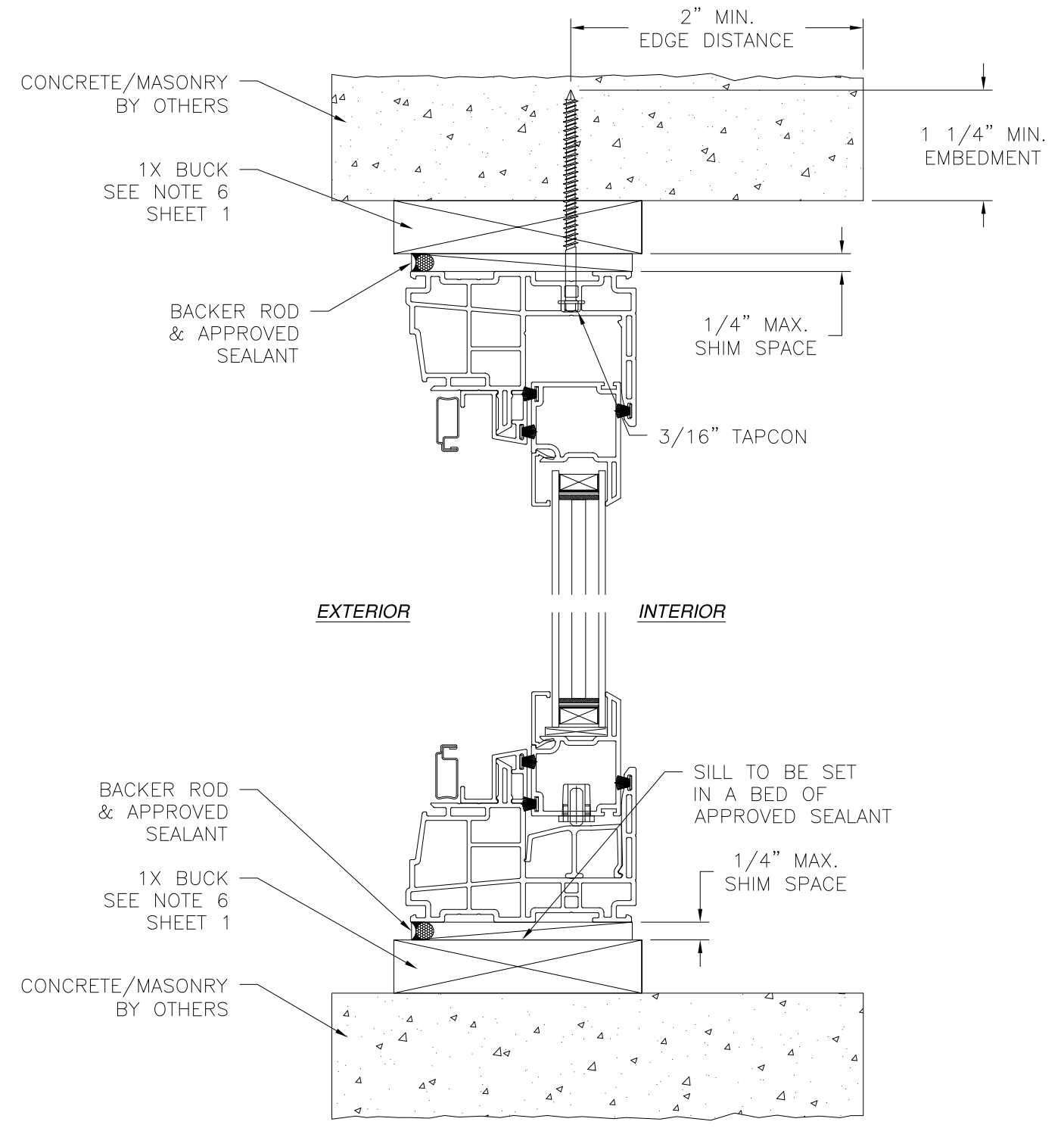
MI WINDOWS AND DOORS LLC 650 MARKET STREET GRATZ, PA 17030		
SERIES 1630 HS REINFORCED NON-IMPACT 72" X 63" FINLESS INSTALLATION DETAILS		
DRAWN: R.L.	DWG NO. 08-03001	REV A
SCALE NTS	DATE 11/30/16	SHEET 4 OF 13
L. ROBERTO LOMAS P.E. 208 7th Ave, INDIALANTIC, FL 32903 434-688-0609 rllomas@lrlomaspe.com		

SIGNED: 10/25/2023

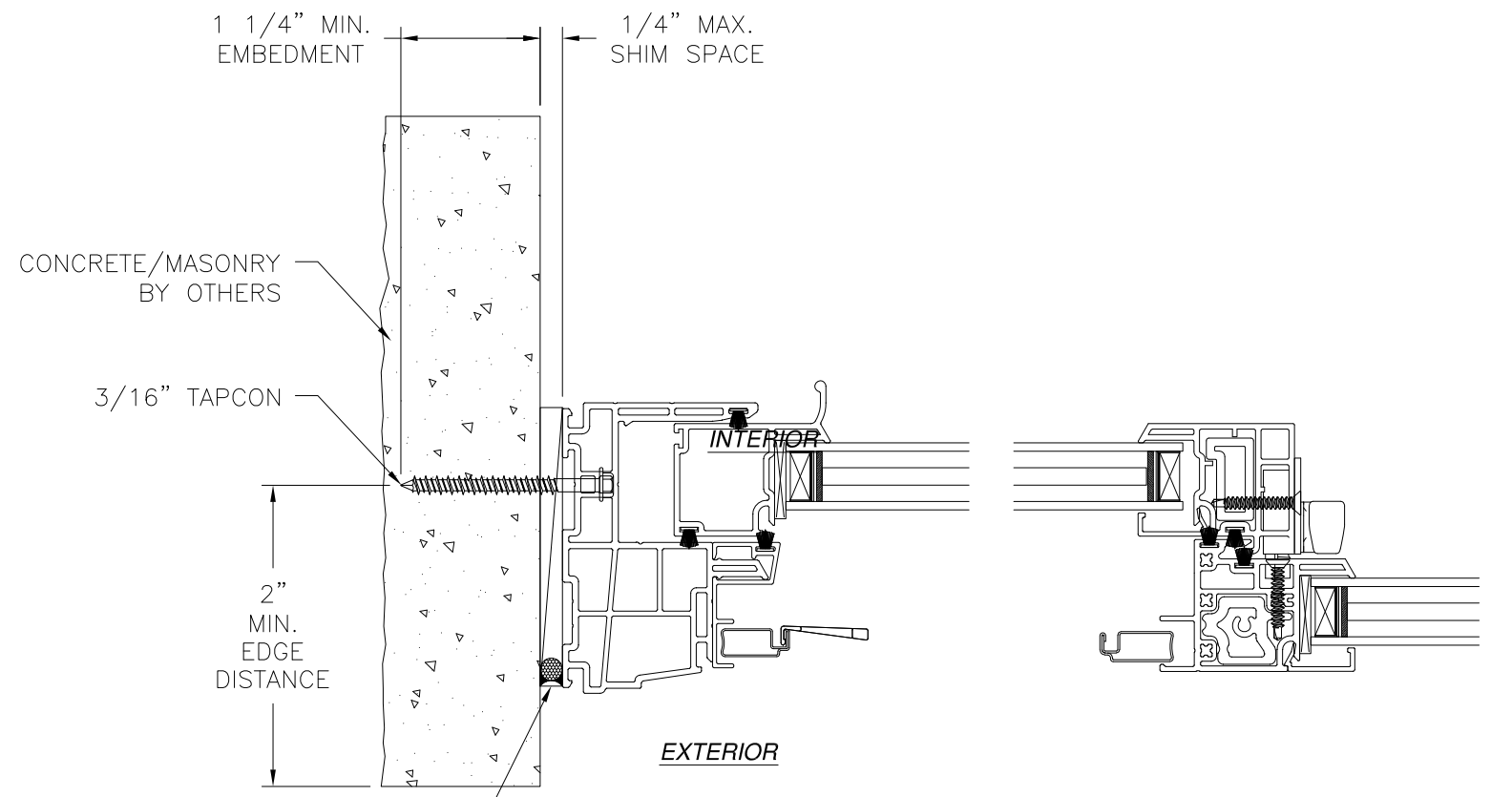


Luis R. Lomas P.E.
FL No.: 62514

REVISIONS			
REV	DESCRIPTION	DATE	APPROVED
A	REVISED PER NEW CODE	10/25/2023	R.L.



VERTICAL CROSS SECTION
 CONCRETE/MASONRY WITH 1X BUCK INSTALLATION
 FOR CONCRETE/MASONRY WITHOUT 1X BUCK REFER TO
 JAMB INSTALLATION DETAIL



JAMB INSTALLATION DETAIL
 CONCRETE/MASONRY WITHOUT 1X BUCK INSTALLATION
 FOR CONCRETE/MASONRY WITH 1X BUCK REFER TO
 HEAD AND SILL INSTALLATION DETAILS

- NOTES:
1. INTERIOR AND EXTERIOR FINISHES, BY OTHERS, NOT SHOWN FOR CLARITY.
 2. PERIMETER AND JOINT SEALANT BY OTHERS TO BE DESIGNED IN ACCORDANCE WITH ASTM E2112

SIGNED: 10/25/2023

MI WINDOWS AND DOORS LLC
 650 MARKET STREET
 GRATZ, PA 17030

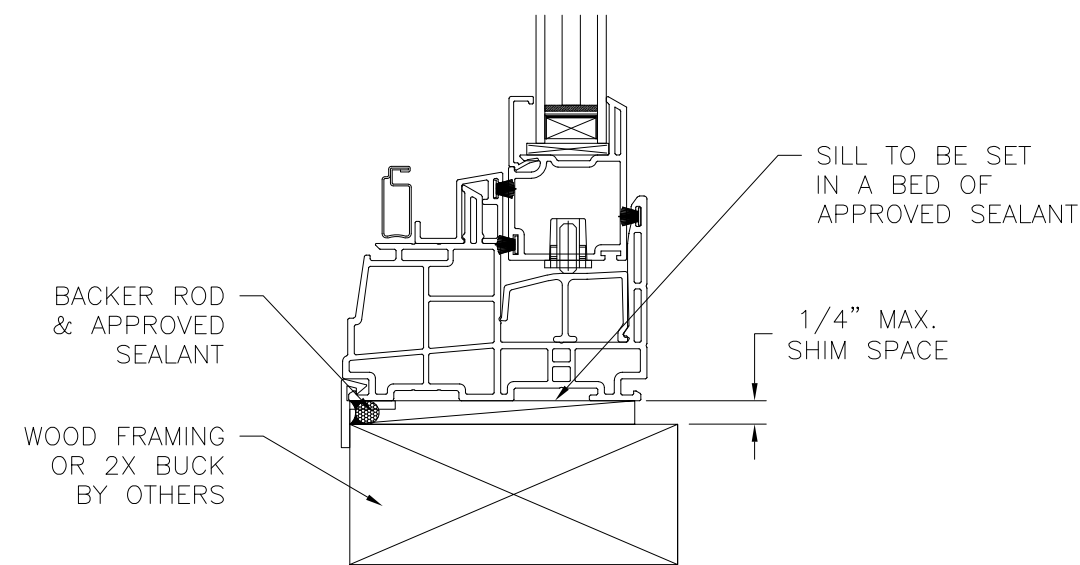
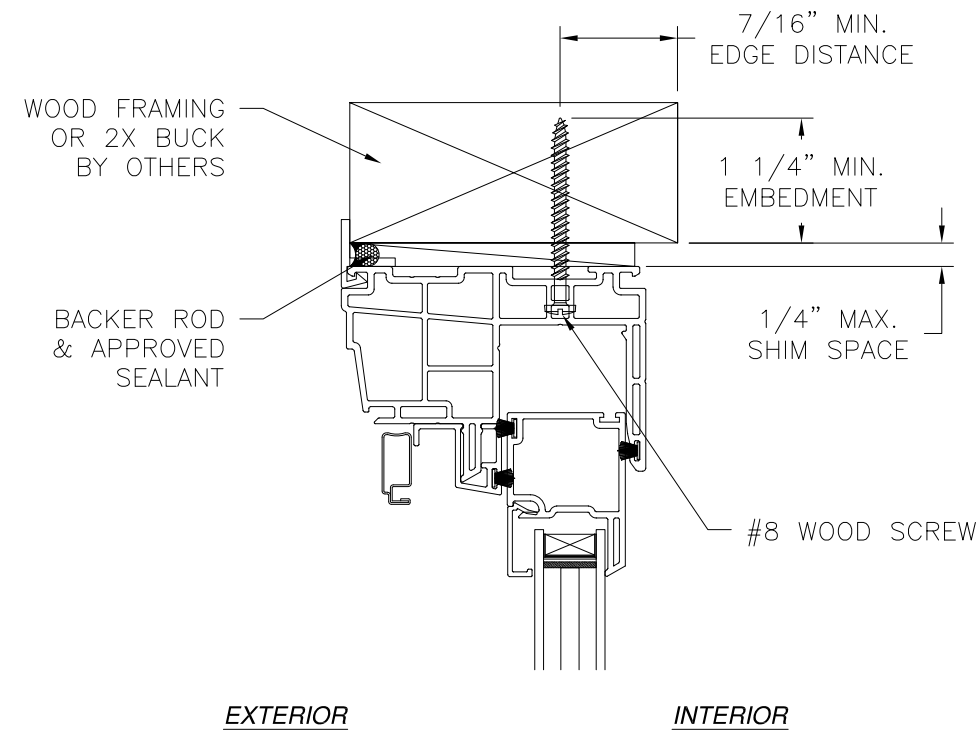
SERIES 1630 HS REINFORCED
 NON-IMPACT 72" X 63"
 FINLESS INSTALLATION DETAILS

DRAWN: R.L.	DWG NO. 08-03001	REV A
SCALE NTS	DATE 11/30/16	SHEET 5 OF 13

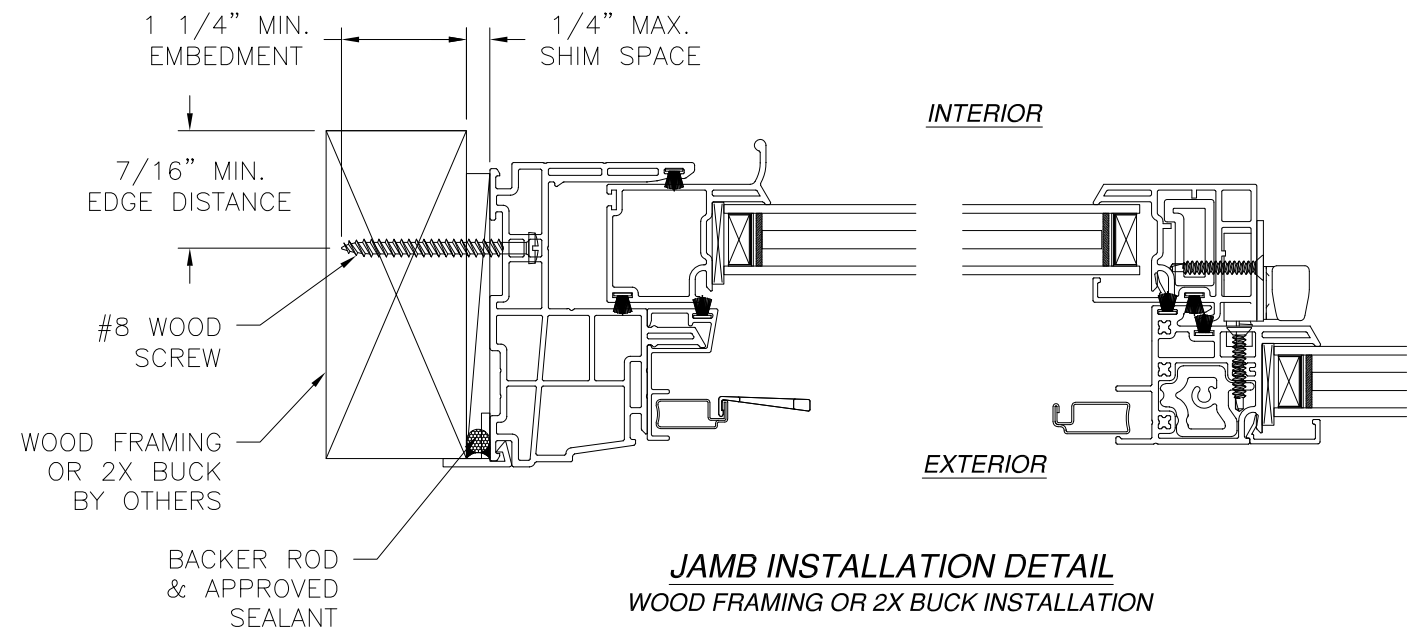
L. ROBERTO LOMAS P.E.
 208 7th Ave, INDIALANTIC, FL 32903
 434-688-0609 rllomas@lrlomaspe.com

Professional Engineer Seal for Luis R. Lomas, State of Florida, License No. 62514.

REVISIONS			
REV	DESCRIPTION	DATE	APPROVED
A	REVISED PER NEW CODE	10/25/2023	R.L.



VERTICAL CROSS SECTION
WOOD FRAMING OR 2X BUCK INSTALLATION

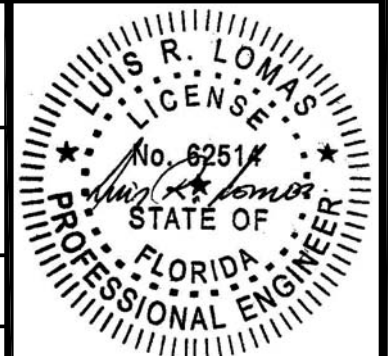


JAMB INSTALLATION DETAIL
WOOD FRAMING OR 2X BUCK INSTALLATION

- NOTES:**
1. INTERIOR AND EXTERIOR FINISHES, BY OTHERS, NOT SHOWN FOR CLARITY.
 2. PERIMETER AND JOINT SEALANT BY OTHERS TO BE DESIGNED IN ACCORDANCE WITH ASTM E2112

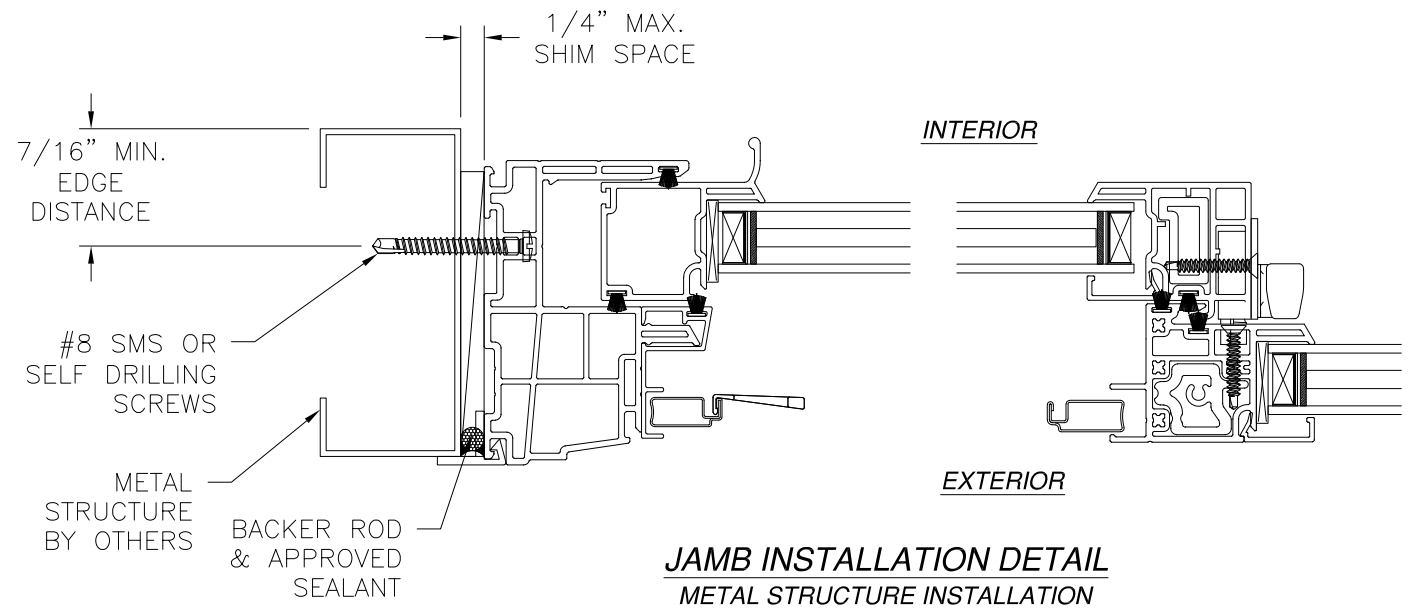
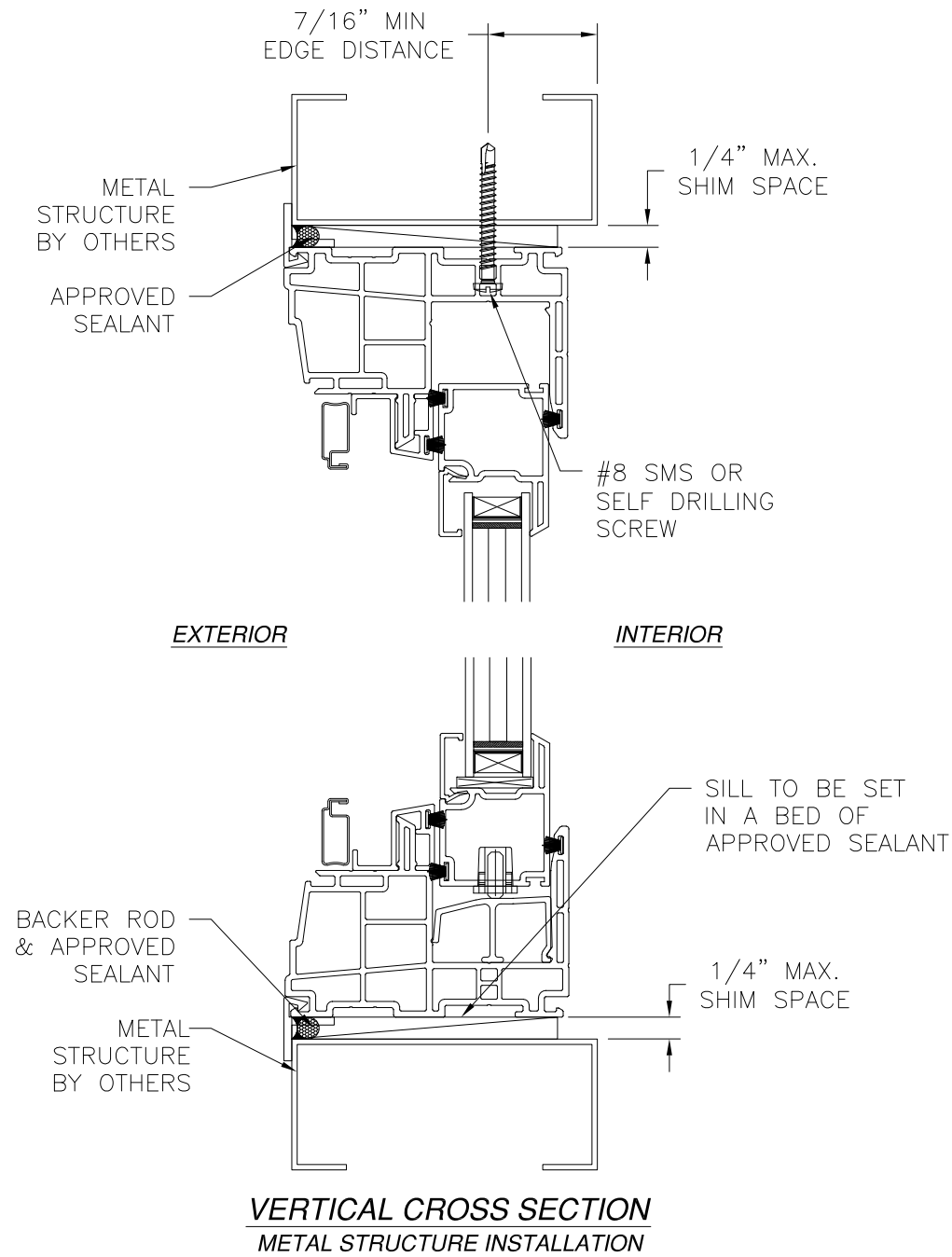
SIGNED: 10/25/2023

MI WINDOWS AND DOORS LLC 650 MARKET STREET GRATZ, PA 17030		
SERIES 1630 HS REINFORCED NON-IMPACT 72" X 63" FLANGE INSTALLATION DETAILS		
DRAWN: R.L.	DWG NO. 08-03001	REV A
SCALE NTS	DATE 11/30/16	SHEET 6 OF 13
L. ROBERTO LOMAS P.E. 208 7th Ave, INDIALANTIC, FL 32903 434-688-0609 rllomas@lrlomaspe.com		



Luis R. Lomas P.E.
FL No.: 62514

REVISIONS			
REV	DESCRIPTION	DATE	APPROVED
A	REVISED PER NEW CODE	10/25/2023	R.L.



- NOTES:**
1. INTERIOR AND EXTERIOR FINISHES, BY OTHERS, NOT SHOWN FOR CLARITY.
 2. PERIMETER AND JOINT SEALANT BY OTHERS TO BE DESIGNED IN ACCORDANCE WITH ASTM E2112

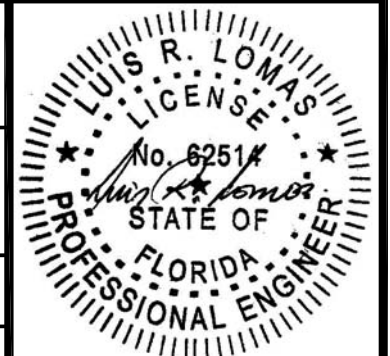
MI WINDOWS AND DOORS LLC
650 MARKET STREET
GRATZ, PA 17030

SERIES 1630 HS REINFORCED
NON-IMPACT 72" X 63"
FLANGE INSTALLATION DETAILS

DRAWN: R.L.	DWG NO. 08-03001	REV A
SCALE NTS	DATE 11/30/16	SHEET 7 OF 13

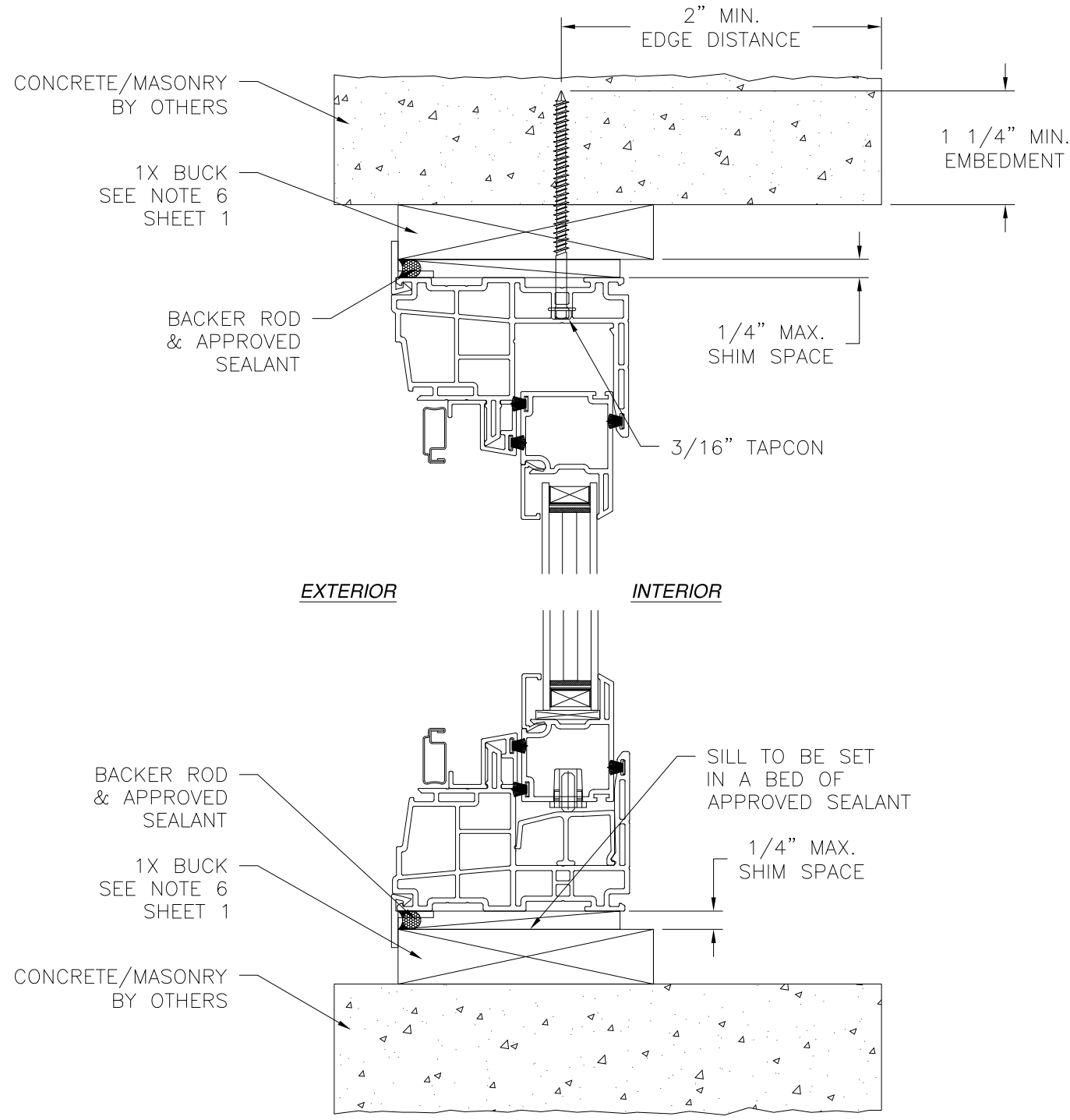
L. ROBERTO LOMAS P.E.
208 7th Ave, INDIALANTIC, FL 32903
434-688-0609 rllomas@lrlomaspe.com

SIGNED: 10/25/2023

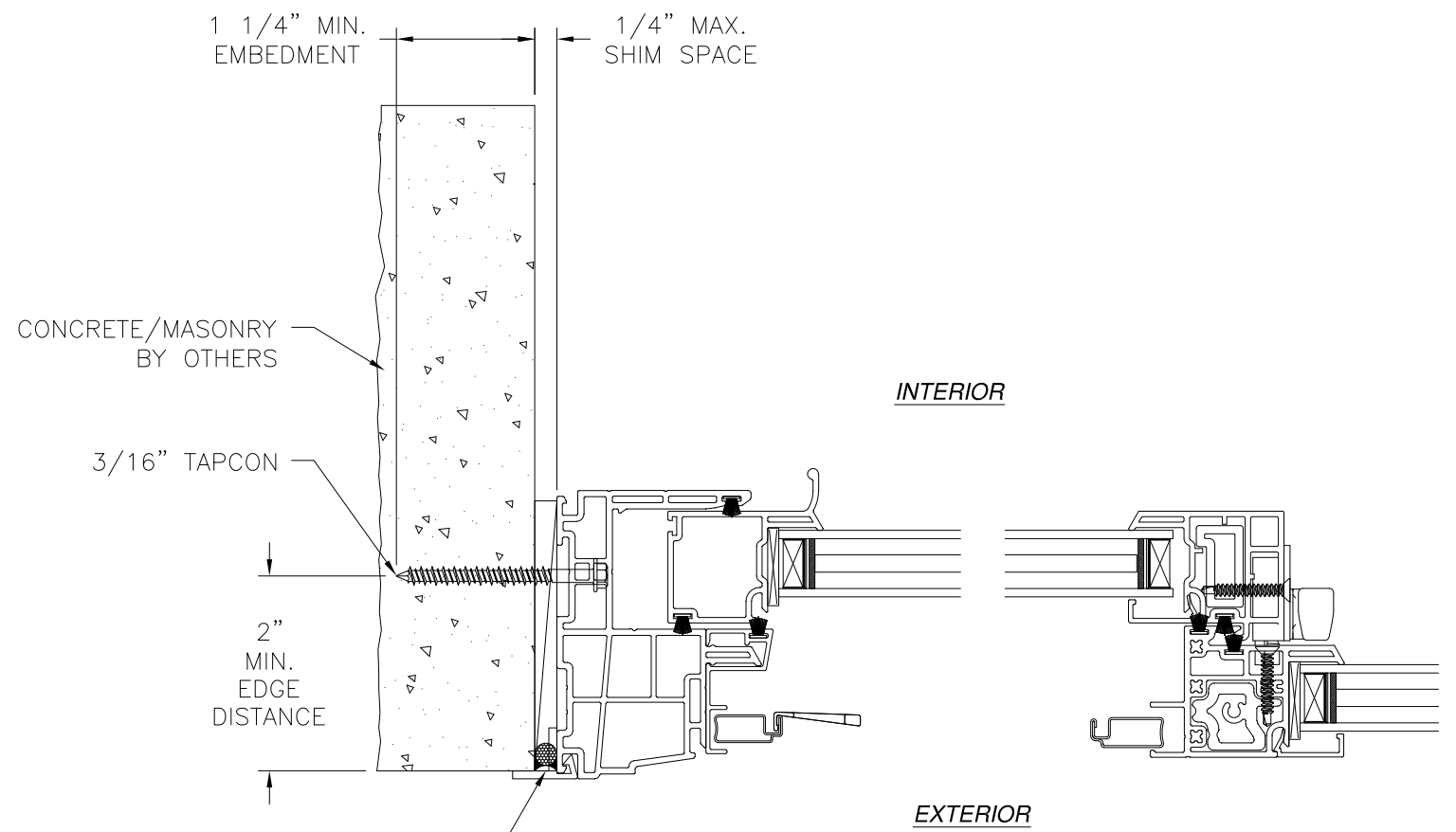


Luis R. Lomas P.E.
FL No.: 62514

REVISIONS			
REV	DESCRIPTION	DATE	APPROVED
A	REVISED PER NEW CODE	10/25/2023	R.L.



VERTICAL CROSS SECTION
 CONCRETE/MASONRY WITH 1X BUCK INSTALLATION
 FOR CONCRETE/MASONRY WITHOUT 1X BUCK REFER TO
 JAMB INSTALLATION DETAIL



JAMB INSTALLATION DETAIL
 CONCRETE/MASONRY WITHOUT 1X BUCK INSTALLATION
 FOR CONCRETE/MASONRY WITH 1X BUCK REFER TO
 HEAD AND SILL INSTALLATION DETAILS

- NOTES:**
1. INTERIOR AND EXTERIOR FINISHES, BY OTHERS, NOT SHOWN FOR CLARITY.
 2. PERIMETER AND JOINT SEALANT BY OTHERS TO BE DESIGNED IN ACCORDANCE WITH ASTM E2112

SIGNED: 10/25/2023

MI WINDOWS AND DOORS LLC
 650 MARKET STREET
 GRATZ, PA 17030

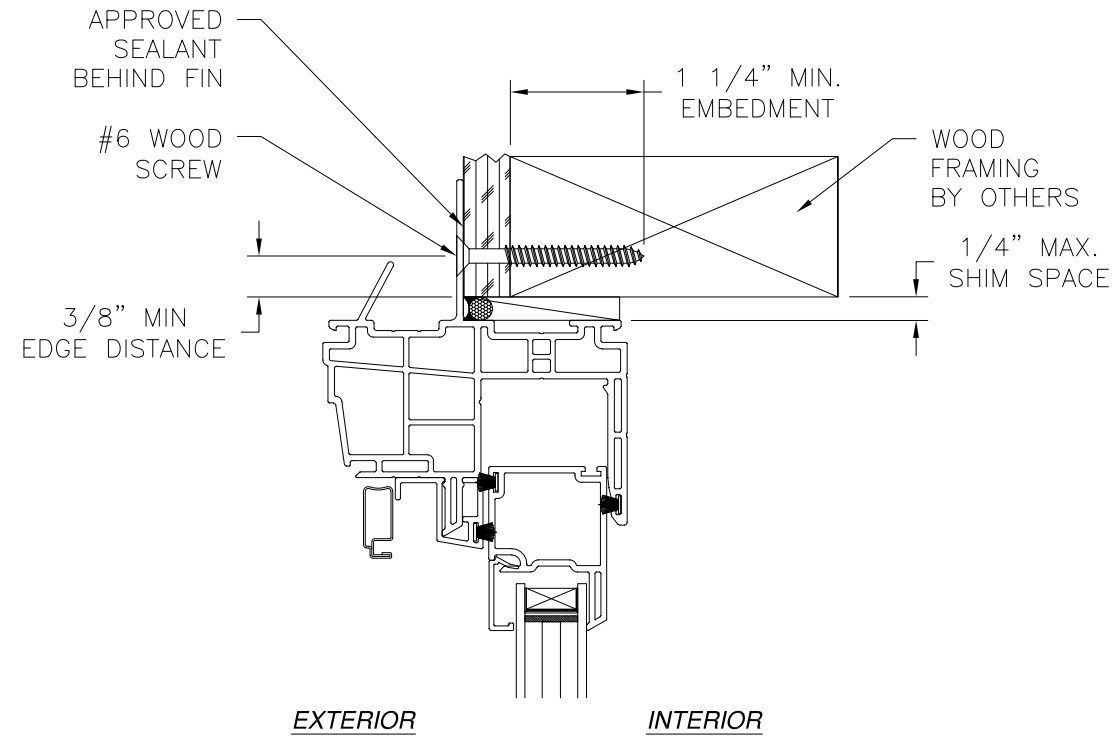
SERIES 1630 HS REINFORCED
 NON-IMPACT 72" X 63"
 FLANGE INSTALLATION DETAILS

DRAWN: R.L.	DWG NO. 08-03001	REV A
SCALE NTS	DATE 11/30/16	SHEET 8 OF 13

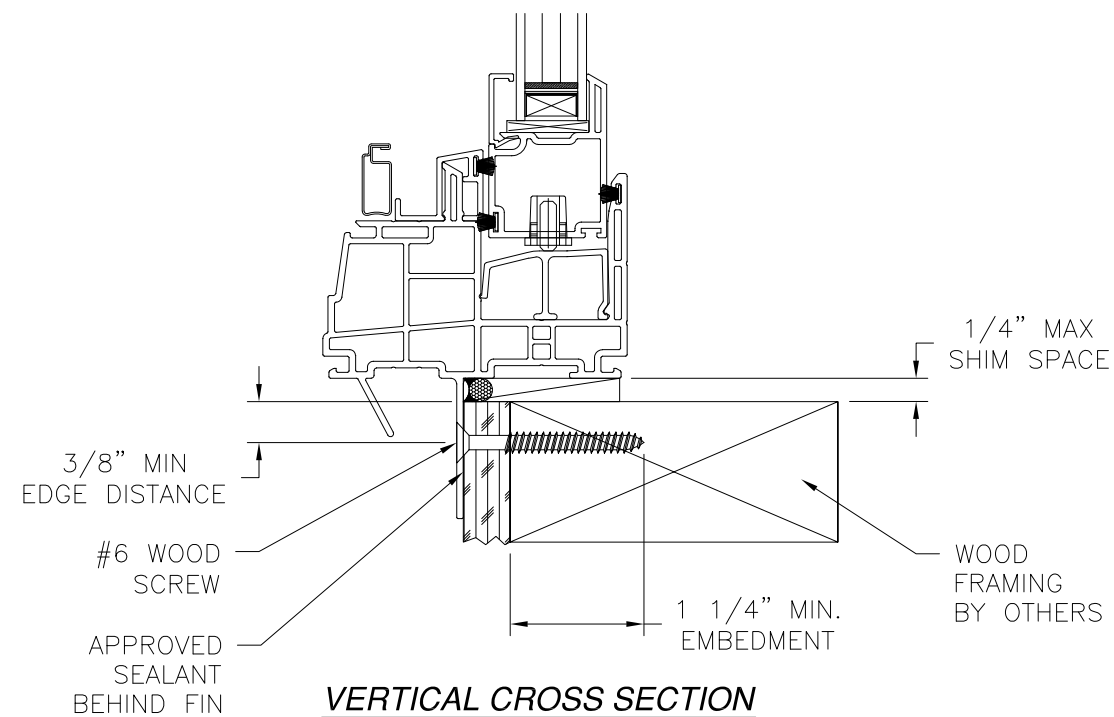
L. ROBERTO LOMAS P.E.
 208 7th Ave, INDIALANTIC, FL 32903
 434-688-0609 rllomas@lrlomaspe.com

Luis R. Lomas P.E.
 FL No.: 62514

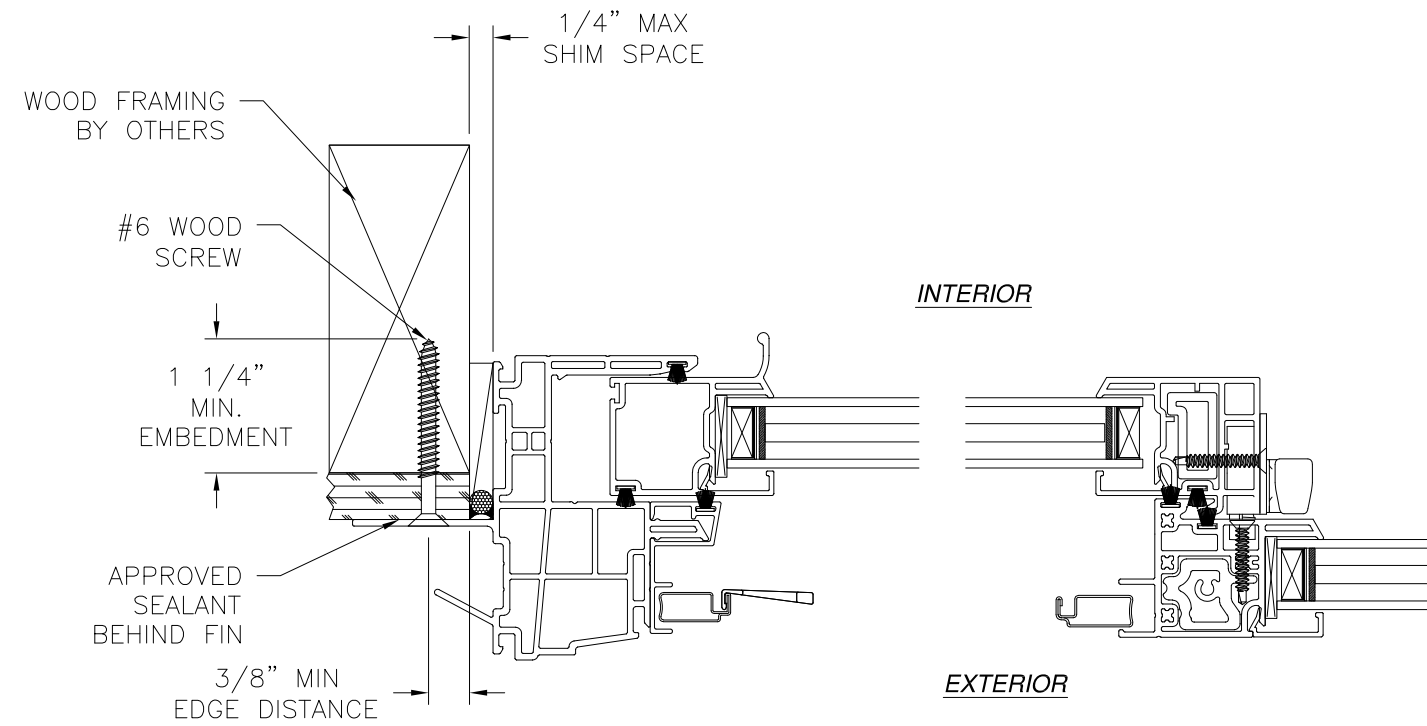
REVISIONS			
REV	DESCRIPTION	DATE	APPROVED
A	REVISED PER NEW CODE	10/25/2023	R.L.



EXTERIOR INTERIOR



VERTICAL CROSS SECTION
WOOD FRAMING OR 2X BUCK INSTALLATION

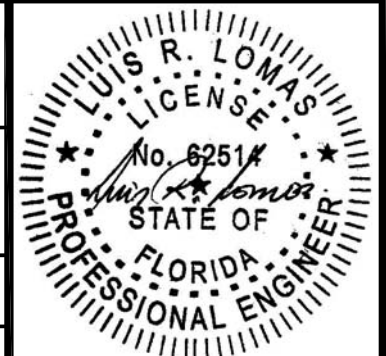


JAMB INSTALLATION DETAIL
WOOD FRAMING OR 2X BUCK INSTALLATION

- NOTES:**
1. INTERIOR AND EXTERIOR FINISHES, BY OTHERS, NOT SHOWN FOR CLARITY.
 2. PERIMETER AND JOINT SEALANT BY OTHERS TO BE DESIGNED IN ACCORDANCE WITH ASTM E2112

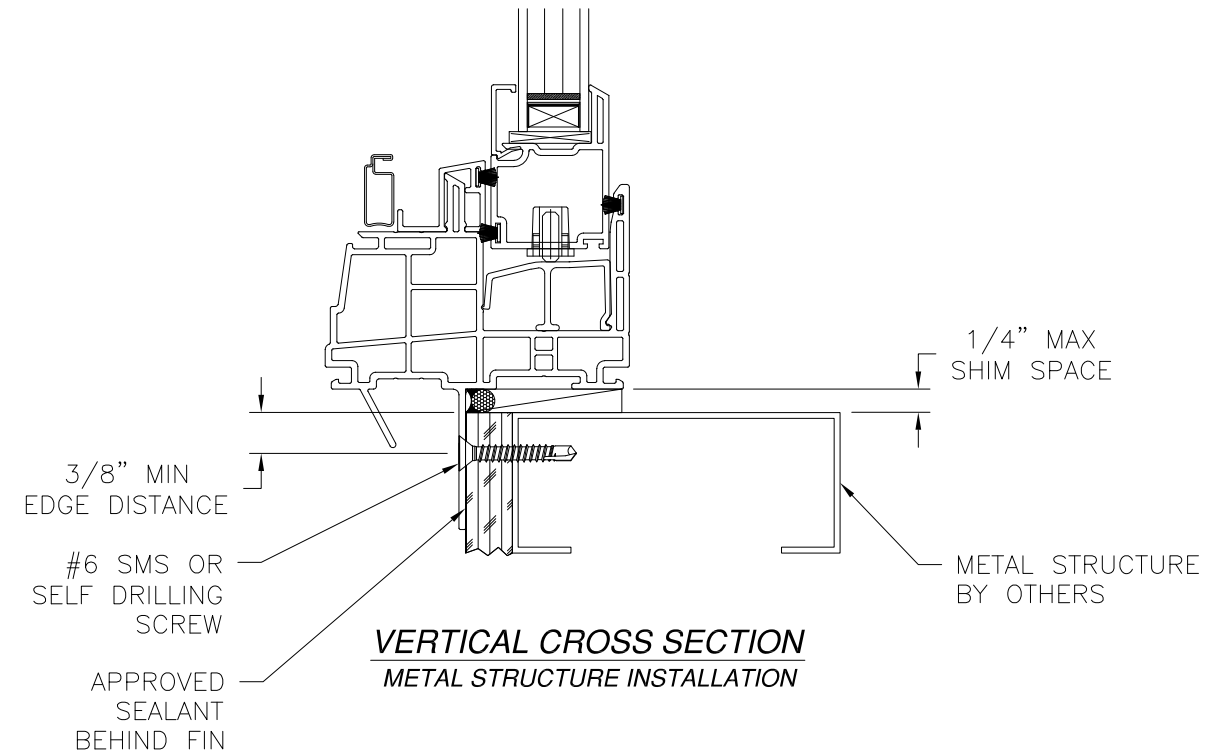
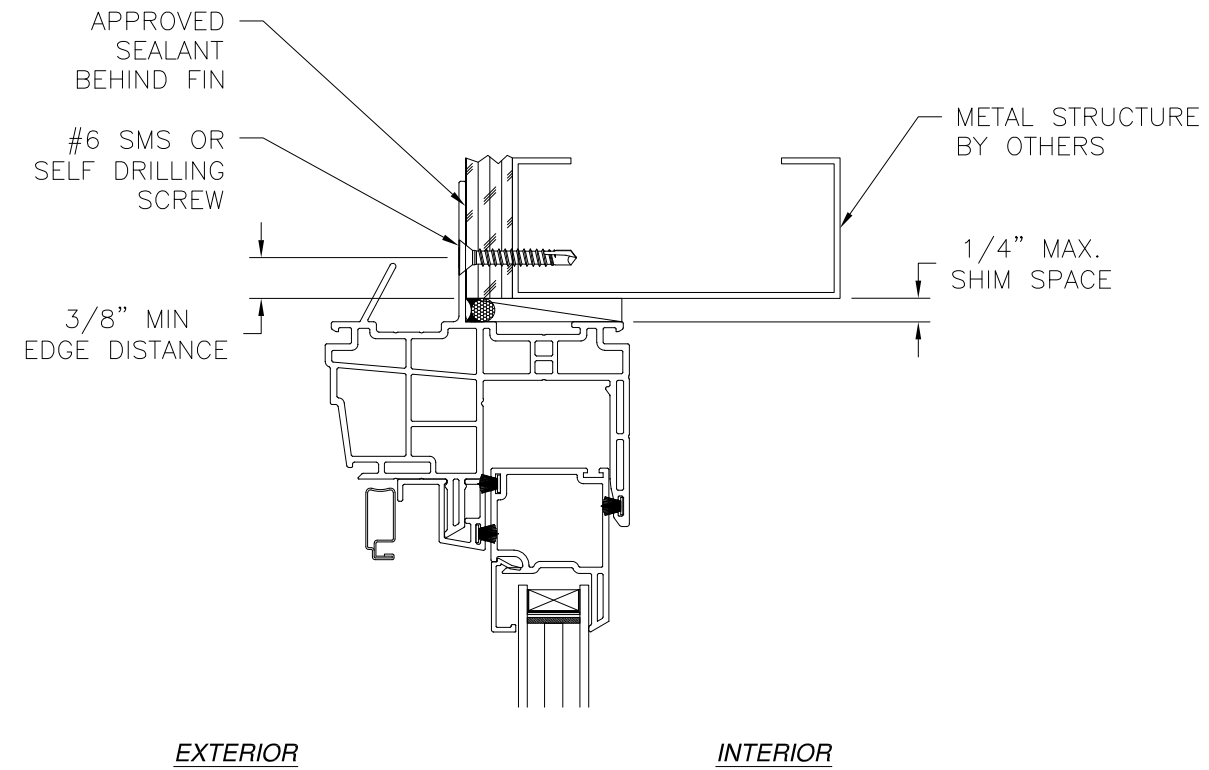
MI WINDOWS AND DOORS LLC 650 MARKET STREET GRATZ, PA 17030		
SERIES 1630 HS REINFORCED NON-IMPACT 72" X 63" FIN WITH J CHANNEL INSTALLATION DETAILS		
DRAWN: R.L.	DWG NO. 08-03001	REV A
SCALE NTS	DATE 11/30/16	SHEET 9 OF 13
L. ROBERTO LOMAS P.E. 208 7th Ave, INDIALANTIC, FL 32903 434-688-0609 rllomas@lrlomaspe.com		

SIGNED: 10/25/2023

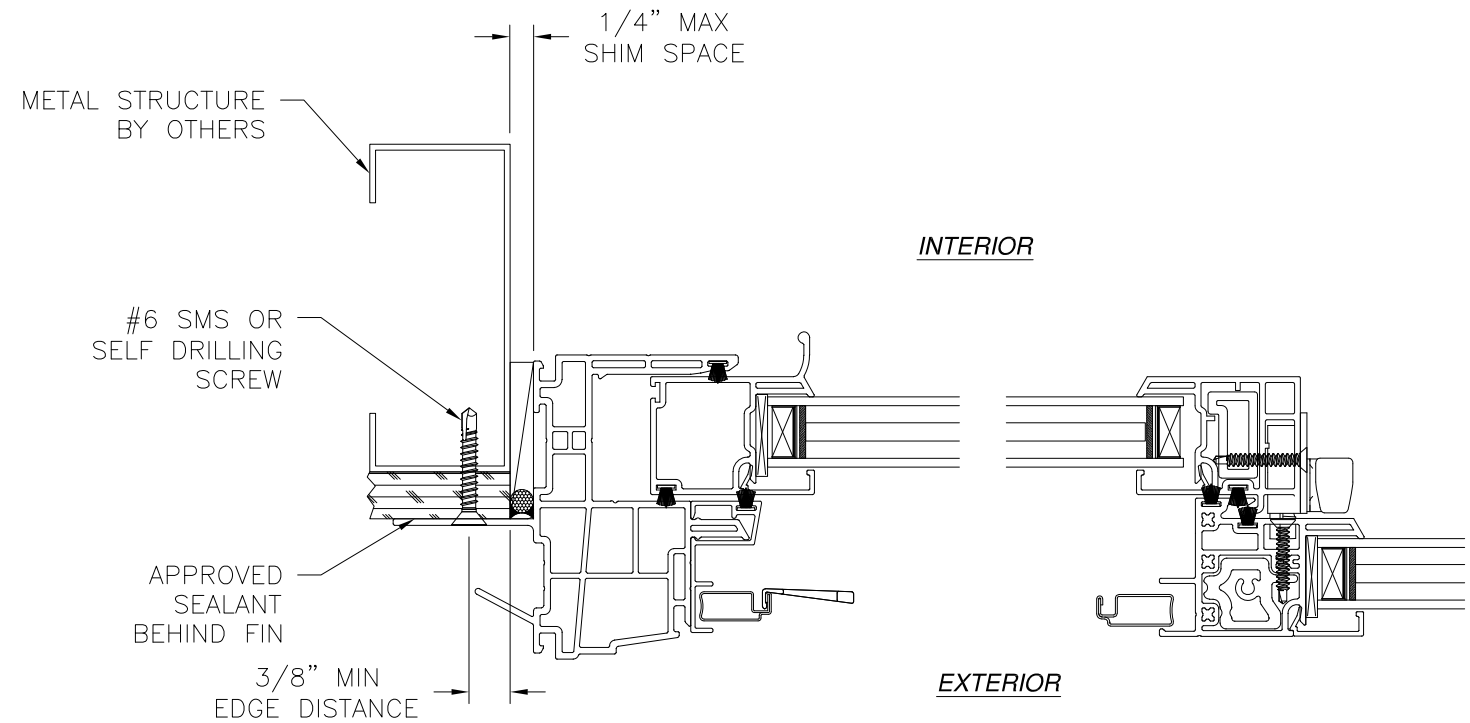


Luis R. Lomas P.E.
FL No.: 62514

REVISIONS			
REV	DESCRIPTION	DATE	APPROVED
A	REVISED PER NEW CODE	10/25/2023	R.L.



**VERTICAL CROSS SECTION
METAL STRUCTURE INSTALLATION**

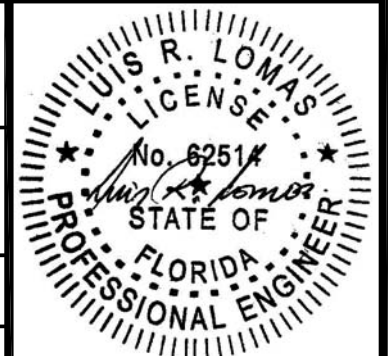


**JAMB INSTALLATION DETAIL
METAL STRUCTURE INSTALLATION**

- NOTES:**
1. INTERIOR AND EXTERIOR FINISHES, BY OTHERS, NOT SHOWN FOR CLARITY.
 2. PERIMETER AND JOINT SEALANT BY OTHERS TO BE DESIGNED IN ACCORDANCE WITH ASTM E2112

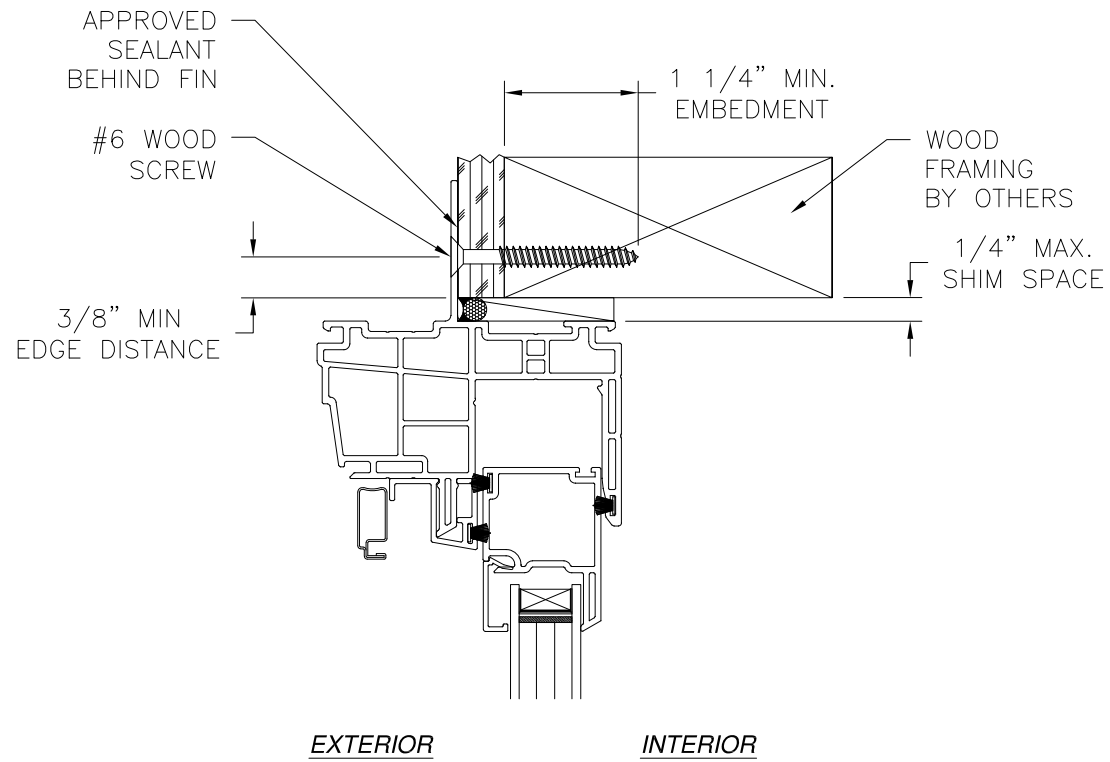
SIGNED: 10/25/2023

MI WINDOWS AND DOORS LLC 650 MARKET STREET GRATZ, PA 17030		
SERIES 1630 HS REINFORCED NON-IMPACT 72" X 63" FIN WITH J CHANNEL INSTALLATION DETAILS		
DRAWN: R.L.	DWG NO. 08-03001	REV A
SCALE NTS	DATE 11/30/16	SHEET 10 OF 13
L. ROBERTO LOMAS P.E. 208 7th Ave, INDIALANTIC, FL 32903 434-688-0609 rllomas@rlomaspe.com		

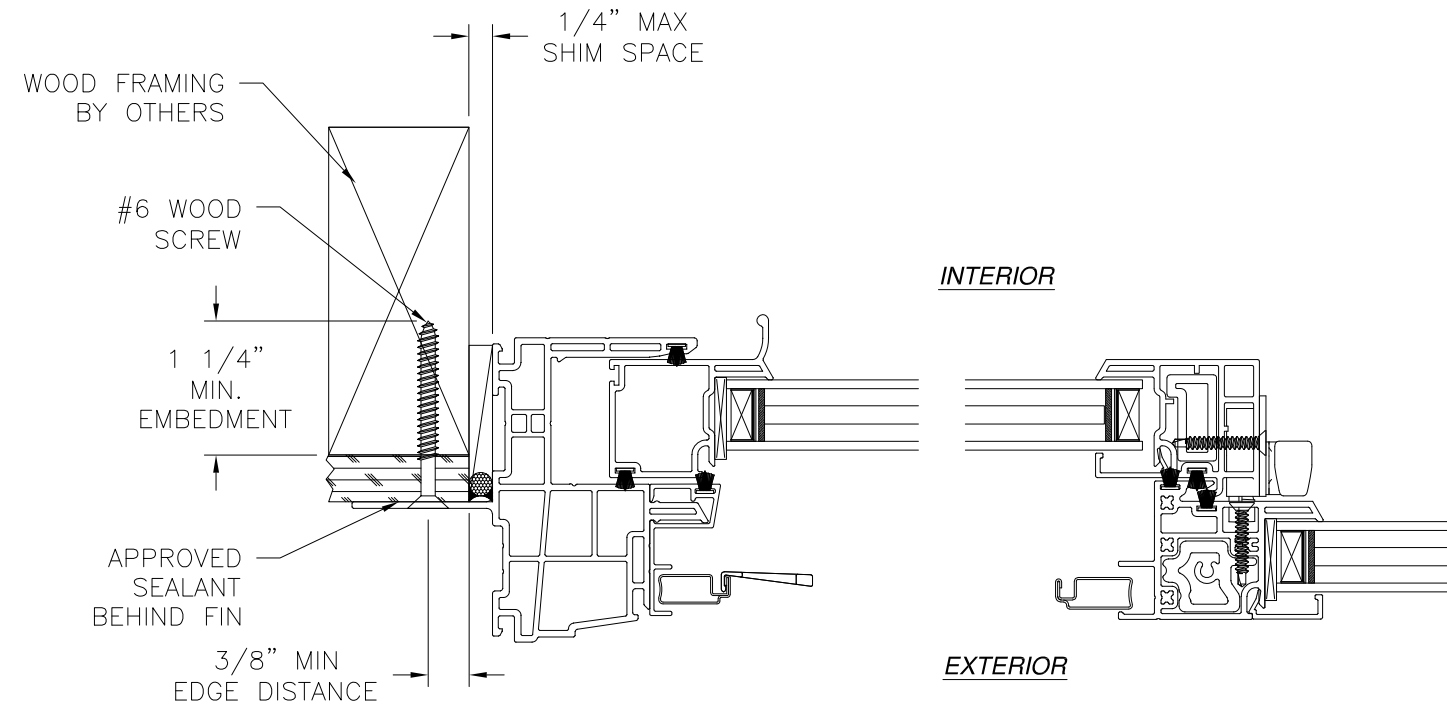


Luis R. Lomas P.E.
FL No.: 62514

REVISIONS			
REV	DESCRIPTION	DATE	APPROVED
A	REVISED PER NEW CODE	10/25/2023	R.L.



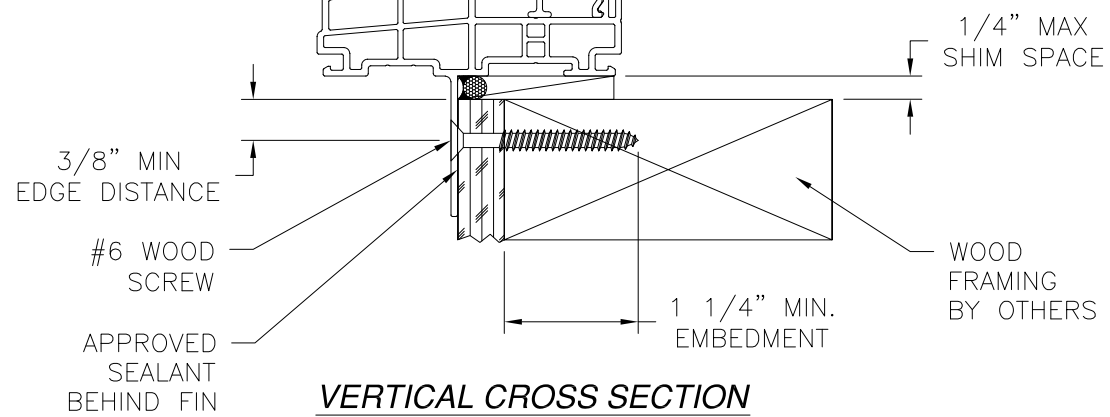
EXTERIOR INTERIOR



INTERIOR

EXTERIOR

JAMB INSTALLATION DETAIL
WOOD FRAMING OR 2X BUCK INSTALLATION



VERTICAL CROSS SECTION
WOOD FRAMING OR 2X BUCK INSTALLATION

- NOTES:**
- INTERIOR AND EXTERIOR FINISHES, BY OTHERS, NOT SHOWN FOR CLARITY.
 - PERIMETER AND JOINT SEALANT BY OTHERS TO BE DESIGNED IN ACCORDANCE WITH ASTM E2112

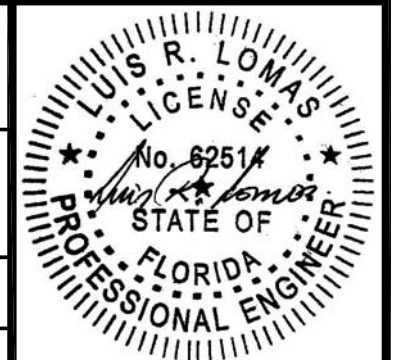
SIGNED: 10/25/2023

MI WINDOWS AND DOORS LLC
650 MARKET STREET
GRATZ, PA 17030

SERIES 1630 HS REINFORCED
NON-IMPACT 72" X 63"
FIN INSTALLATION DETAILS

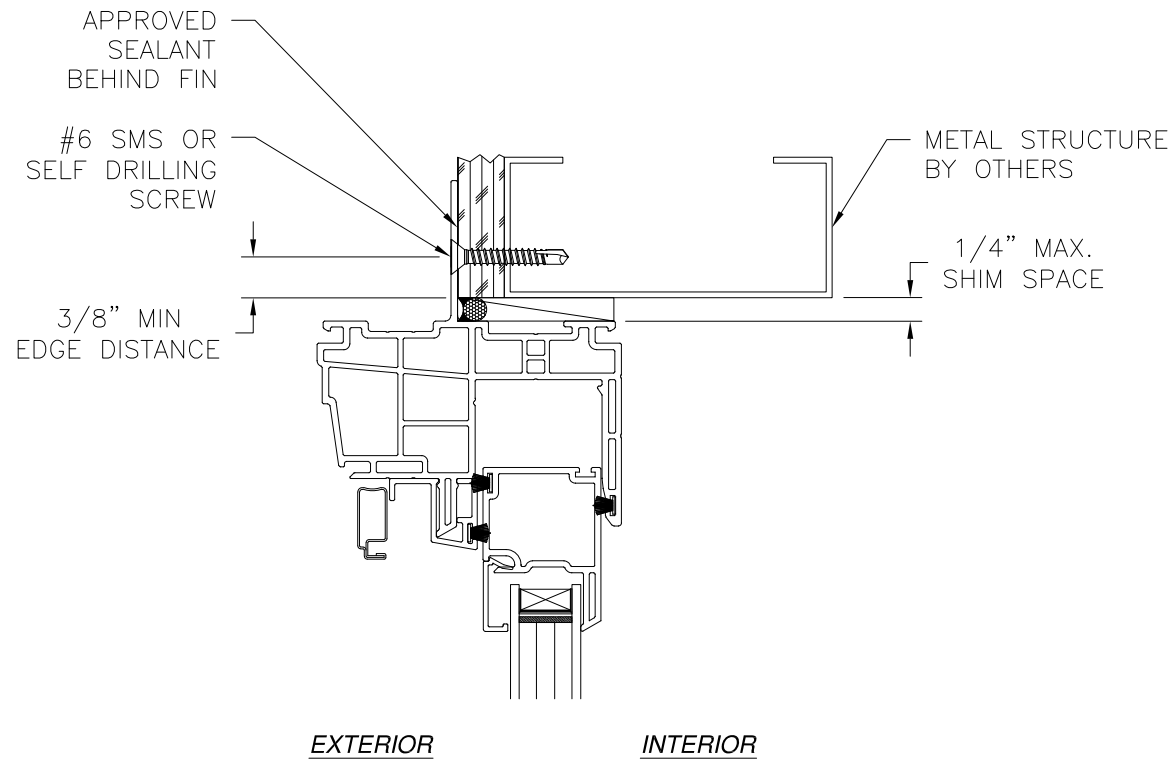
DRAWN: R.L.	DWG NO. 08-03001	REV A
SCALE NTS	DATE 11/30/16	SHEET 11 OF 13

L. ROBERTO LOMAS P.E.
208 7th Ave, INDIALANTIC, FL 32903
434-688-0609 rllomas@lrlomaspe.com

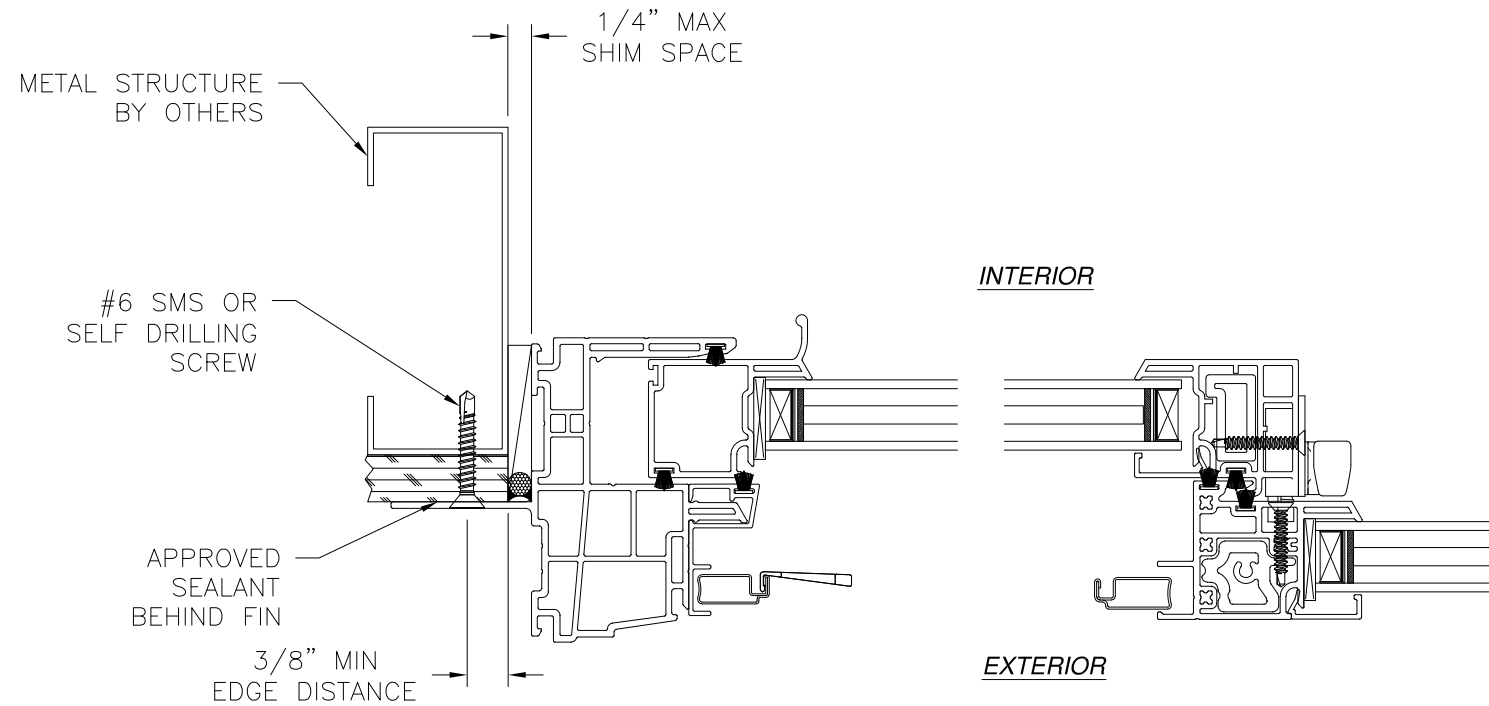


Luis R. Lomas P.E.
FL No.: 62514

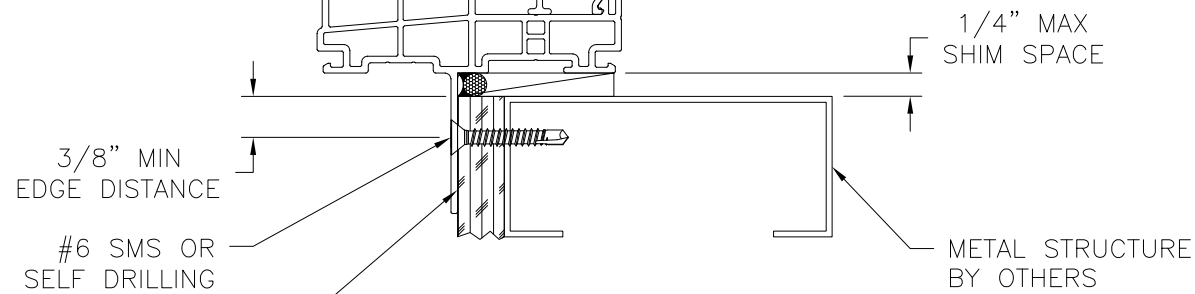
REVISIONS			
REV	DESCRIPTION	DATE	APPROVED
A	REVISED PER NEW CODE	10/25/2023	R.L.



EXTERIOR INTERIOR



JAMB INSTALLATION DETAIL
METAL STRUCTURE INSTALLATION

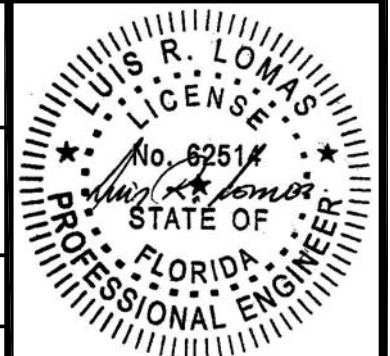


VERTICAL CROSS SECTION
METAL STRUCTURE INSTALLATION

- NOTES:
- INTERIOR AND EXTERIOR FINISHES, BY OTHERS, NOT SHOWN FOR CLARITY.
 - PERIMETER AND JOINT SEALANT BY OTHERS TO BE DESIGNED IN ACCORDANCE WITH ASTM E2112

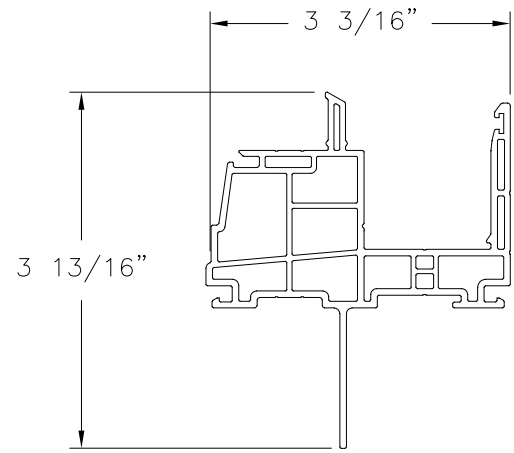
MI WINDOWS AND DOORS LLC 650 MARKET STREET GRATZ, PA 17030		
SERIES 1630 HS REINFORCED NON-IMPACT 72" X 63" FIN INSTALLATION DETAILS		
DRAWN: R.L.	DWG NO. 08-03001	REV A
SCALE NTS	DATE 11/30/16	SHEET 12 OF 13
L. ROBERTO LOMAS P.E. 208 7th Ave, INDIALANTIC, FL 32903 434-688-0609 rllomas@lrlomaspe.com		

SIGNED: 10/25/2023

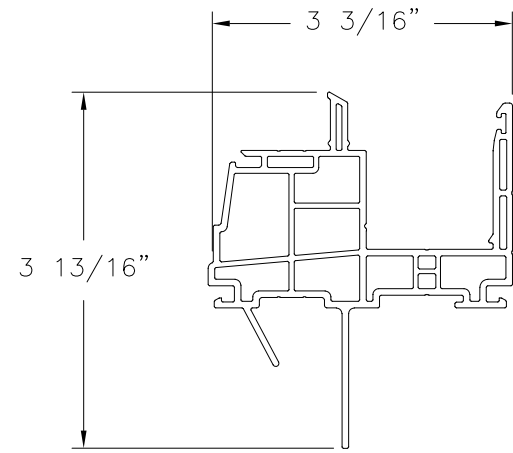


Luis R. Lomas P.E.
FL No.: 62514

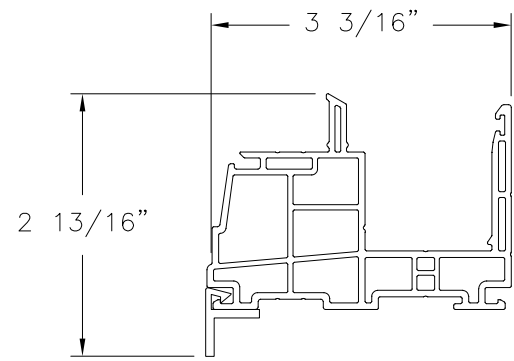
REVISIONS			
REV	DESCRIPTION	DATE	APPROVED
A	REVISED PER NEW CODE	10/25/2023	R.L.



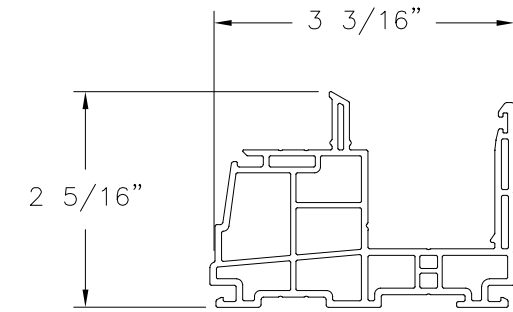
MAIN FRAME FIN (V-1019)
RIGID VINYL PVC



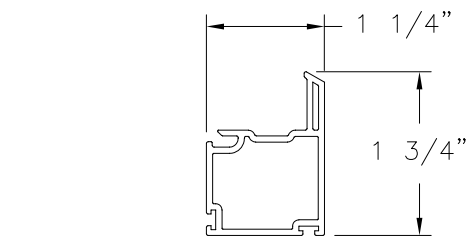
MAIN FRAME FIN W/ J CHANNEL (V-1018)
RIGID VINYL PVC



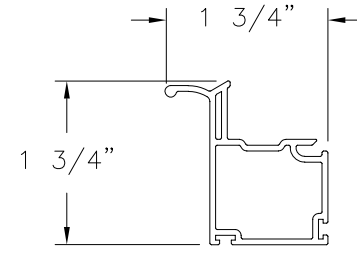
MAIN FRAME FINLESS FLANGE (V-1022)
RIGID VINYL PVC



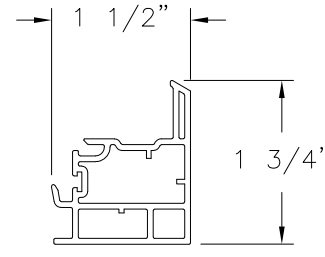
MAIN FRAME FINLESS (V-1020)
RIGID VINYL PVC



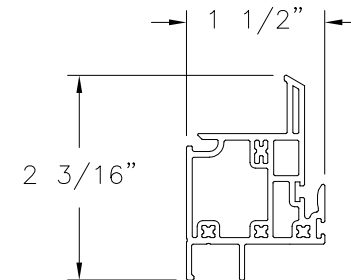
SASH, HORIZONTAL RAIL (V-670)
RIGID VINYL PVC



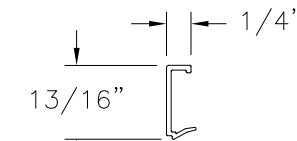
SASH, PULL RAIL (V-672)
RIGID VINYL PVC



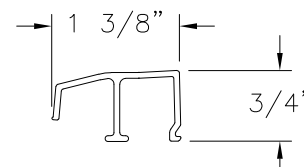
SASH, LOCK RAIL (V-675)
RIGID VINYL PVC



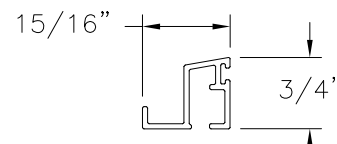
FIXED MEETING RAIL (V-1016)
RIGID VINYL PVC



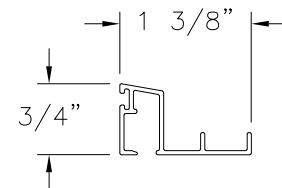
GLAZING BEAD (V-904)
RIGID VINYL PVC



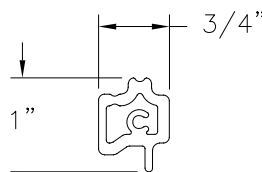
SINGLE SLIDE ROLLER TRACK (M-2345)
ALUMINUM 6063-T5



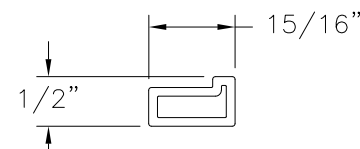
OPERABLE SCREEN TRACK W/O LEG (M-2341)
ALUMINUM 6063-T5



OPERABLE SCREEN TRACK (M-2340)
ALUMINUM 6063-T5



MEETING RAIL REINFORCEMENT (M-2343)
ALUMINUM 6063-T5



LOCK RAIL REINFORCEMENT (M-2115)
ALUMINUM 6063-T5

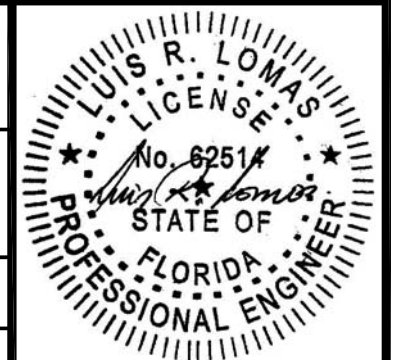
MI WINDOWS AND DOORS LLC
650 MARKET STREET
GRATZ, PA 17030

SERIES 1630 HS REINFORCED
NON-IMPACT 72" X 63"
COMPONENTS

DRAWN: R.L.	DWG NO. 08-03001	REV A
SCALE NTS	DATE 11/30/16	SHEET 13 OF 13

L. ROBERTO LOMAS P.E.
208 7th Ave, INDIALANTIC, FL 32903
434-688-0609 rllomas@rlomaspe.com

SIGNED: 10/25/2023



Luis R. Lomas P.E.
FL No.: 62514