

# DSA Master Crafted Doors

## Double Full View Door with Full View Transom

### INSTALLATION ANCHORAGE DETAILS

**GENERAL NOTES:**

1. THIS PRODUCT IS DESIGNED TO COMPLY WITH THE CURRENT EDITION FLORIDA BUILDING CODE - BUILDING AND RESIDENTIAL REQUIREMENTS EXCLUDING THE HIGH VELOCITY HURRICANE ZONE (HVHZ) AT THE DESIGN PRESSURE(S) STATED HEREIN. THE PRODUCT DETAILS CONTAINED HEREIN ARE BASED UPON SIGNED AND SEALED TEST REPORT NO. ATLNC 0820.01-14 DATED 10/13/14, TEST REPORT NO. ATLNC 0819.01-14 DATED 10/13/14 AND ASSOCIATED LABORATORY STAMPED DRAWINGS. TESTING WAS PERFORMED TO THE FOLLOWING:
  - 1.1. ASTM E330-02
  - 1.2. ASTM E283-04
  - 1.3. ASTM E1886-05
  - 1.4. ASTM E1996-09
2. ADEQUACY OF THE EXISTING STRUCTURAL CONCRETE / MASONRY AND 2X FRAMING AS A MAIN WIND FORCE RESISTING SYSTEM CAPABLE OF WITHSTANDING AND TRANSFERRING APPLIED PRODUCT LOADS TO THE STRUCTURE IS THE RESPONSIBILITY OF THE ARCHITECT OR ENGINEER OF RECORD.
3. 1X AND 2X BUCKS (WHEN USED) SHALL BE DESIGNED AND ANCHORED TO PROPERLY TRANSFER ALL LOADS TO THE STRUCTURE. BUCK DESIGN AND INSTALLATION IS THE RESPONSIBILITY OF THE ARCHITECT OR ENGINEER OF RECORD.
4. IN AREAS WHERE WIND-BORNE DEBRIS PROTECTION REQUIREMENTS EXIST, USE OF AN APPROVED IMPACT PROTECTIVE SYSTEM IS NOT REQUIRED WITH THIS PRODUCT.
5. DOOR FRAME AND PANEL MATERIAL: MAHOGANY
6. GLAZING:
  - 6.1. 1" OVERALL THICKNESS: 5/32" TEMPERED, AIR SPACE (XL EDGE SPACER), 5/16" LAMINATED (1/8" ANNEALED/ KURARAY BUTACITE .090 PVB INTERLAYER/ 1/8" ANNEALED) BY CARDINAL GLASS INDUSTRIES INC. GLAZED USING DOW 995 STRUCTURAL ADHESIVE GRADE SEALANT.
  - 6.2. GLASS MEETS THE REQUIREMENTS OF ASTM E1300-04e01.
7. SITE CONDITIONS THAT DEVIATE FROM THE DETAILS OF THIS DRAWING REQUIRE FURTHER ENGINEERING EVALUATION BY A LICENSED ENGINEER OR REGISTERED ARCHITECT.
8. DESIGNATIONS "X" AND "O" (WHERE APPLICABLE) STAND FOR THE FOLLOWING:
  - 8.1. X: OPERABLE PANEL
  - 8.2. O: FIXED PANEL
9. HARDWARE (AS-TESTED; SUBSTITUTIONS ALLOWED PER FBC REQUIREMENTS):
  - 9.1. MULTI-POINT LOCK AND HANDLES BY ASHLAND HARDWARE.
  - 9.2. HINGES: (10) STEEL 4-1/2" X 4-1/2" BALL BEARING HINGES BY CAL ROYAL.

**INSTALLATION NOTES:**

1. SEE ELEVATIONS (SHEET 4 & 5), SECTION VIEW (SHEETS 9 THRU 12) AND DETAILS (SHEETS 7 AND 8) FOR INSTALLATION ANCHOR TYPE, LOCATION, QUANTITY AND PLACEMENT IN 2X WOOD FRAMING OR 2X WOOD BUCKING. FOR INSTALLATION ANCHORS IN CONCRETE AND MASONRY CONSTRUCTION, SEE NOTE 2 BELOW.
2. INSTALLATIONS DETAILS DEPICTED IN THIS PRODUCT APPROVAL DOCUMENT USE WOOD SCREWS EMBEDDED INTO SUPPORTING SUBSTRATE THAT IS EITHER 2X WOOD FRAMING OR 2X WOOD BUCKING STRUCTURALLY ATTACHED TO CONCRETE/MASONRY SUBSTRATE. WHERE INSTALLATION ANCHORS ARE EMBEDDED INTO CONCRETE/MASONRY EITHER WITH/WITHOUT 1X WOOD BUCKING, CONCRETE SCREWS SHALL BE USED. THE FOLLOWING TYPES OF INSTALLATION FASTENERS SHALL BE EMPLOYED BASED ON THE SUPPORTING SUBSTRATE AS FOLLOWS.
  - 2.1. 2X WOOD FRAMING OR BUCKING AT HEAD, SILLS OR JAMBS
    - 2.1.1. INSTALLATION DETAILS SHOWN ON SHEETS 3 THROUGH 12 DEPICT INSTALLATION REQUIREMENTS USING NO. 12 WOOD SCREWS.
    - 2.1.2. SEE NOTE 3 BELOW FOR SCREWS SPECIFICATIONS, MINIMUM EMBEDMENT, SPACING AND EDGE DISTANCES.
  - 2.2. CONCRETE OR MASONRY AT HEAD, SILLS OR JAMBS (OPTIONAL 1X WOOD BUCK ALLOWED)
    - 2.2.1. 1/4" DIAMETER ELCO ULTRACON CONCRETE SCREWS SHALL BE USED IN LIEU OF NO. 12 WOOD SCREWS IN ALL LOCATIONS WHERE SUPPORTING SUBSTRATE IS CONCRETE OR MASONRY EXCEPT AS NOTED IN NOTE 2.2.2 BELOW.
    - 2.2.2. 3/16" DIAMETER ELCO ULTRACON CONCRETE SCREWS SHALL BE USED IN LIEU OF NO. 12 WOOD SCREWS IN ALL LOCATIONS WHERE SUPPORTING SUBSTRATE IS CONCRETE OR MASONRY IN THE FOLLOWING INSTANCES.
      - 2.2.2.1. DETAIL 1, SHEET 7 - TOP STRIKE PLATE.
      - 2.2.2.2. DETAIL 2, SHEET 7 - BOTTOM STRIKE PLATE.
      - 2.2.2.3. DETAIL 3, SHEET 7 - THRESHOLD SECTION.
      - 2.2.2.4. DETAIL 4, SHEET 7 - CLOSED HINGE (APPLICABLE TO #12 X 3-1/2" WS LOCATION ONLY).
      - 2.2.2.4. DETAIL 5, SHEET 7 - OPEN HINGE (APPLICABLE TO #12 X 3-1/2" WS LOCATION ONLY).
      - 2.2.2.5. DETAIL 6, SHEET 8 - JAMB ANCHORAGE AT HINGE (APPLICABLE TO #12 X 3-1/2" WS LOCATION ONLY).
3. INSTALLATION SCREW (ANCHORAGE) SPECIFICATION
  - 3.1. NO. 12 WOOD SCREWS AT THE LENGTHS SHOWN IN THE INSTALLATION DETAILS.
    - 3.1.1. WOOD SCREWS SHALL MEET ANSI B18.6.1 AND BE A MINIMUM GRADE 2 STRENGTH
    - 3.1.2. MINIMUM EMBEDMENT IS 1-1/2". WOOD SCREW LENGTHS CAN BE VARIED AS LONG AS MINIMUM EMBEDMENT IS MAINTAINED. THIS REQUIREMENT APPLICABLE TO SUBSTRATE EMBEDDED SCREWS ONLY.
    - 3.1.3. MINIMUM EDGE DISTANCE AND SPACING BETWEEN SCREW IS 7/8".
  - 3.2. 1/4" DIAMETER ELCO ULTRACON CONCRETE SCREWS
    - 3.2.1. MINIMUM EMBEDMENT IS 1-3/4" IN CONCRETE AND 1-1/4" IN MASONRY (CMU).
    - 3.2.2. MINIMUM EDGE DISTANCE IS 2-1/2".
    - 3.2.3. MINIMUM SPACING BETWEEN SCREWS IS 1-1/2".
  - 3.2. 3/16" DIAMETER ELCO ULTRACON CONCRETE SCREWS
    - 3.2.1. MINIMUM EMBEDMENT IS 1-3/4" IN CONCRETE AND 1-1/4" IN MASONRY (CMU).
    - 3.2.2. MINIMUM EDGE DISTANCE IS 2-1/2".
    - 3.2.3. MINIMUM SPACING BETWEEN SCREWS IS 1-1/8".
4. THE NUMBER OF INSTALLATION ANCHORS DEPICTED IS THE MINIMUM NUMBER OF ANCHORS TO BE USED FOR PRODUCT INSTALLATION AT THE MAXIMUM SIZE SHOWN. SMALLER PRODUCT SIZES CAN HAVE LESS ANCHORS AS LONG AS THE EDGE DISTANCE AND ON CENTER (O.C.) SPACING ARE THE SAME AS OR LESS THAN THAT SHOWN. INSTALLATION ANCHORS AT THE STRIKE PLATES AND HINGES SHALL REMAIN THE SAME.
5. SHIM AS REQUIRED AT EACH INSTALLATION ANCHOR WITH LOAD BEARING SHIM(S). MAXIMUM ALLOWABLE SHIM SIZE IS 1/4 INCH. SHIM WHERE SPACE OF 1/16 INCH OR GREATER OCCURS. SHIM(S) SHALL BE CONSTRUCTED OF HIGH DENSITY PLASTIC OR BETTER. SHIMS MAY NOT BE SHOWN IN THE SECTION VIEWS OF THIS DRAWING FOR CLARITY
6. MINIMUM EMBEDMENT AND EDGE DISTANCE EXCLUDE WALL FINISHES (INCLUDING BUT NOT LIMITED TO STUCCO, FOAM, BRICK VENEER AND SIDING).
7. SINGLE DOOR IS APPROVED AND SHALL BE INSTALLED IN A MANNER IN COMPLIANCE WITH THE REQUIREMENTS OF THIS PRODUCT APPROVAL DOCUMENT.

TABLE OF CONTENTS	
SHEET	DESCRIPTION
1	NOTES - GENERAL & INSTALLATION
2	ELEVATION XX
3	ELEVATION O/XX
4	ELEVATION - ANCHOR LAYOUT XX
5	ELEVATION - ANCHOR LAYOUT O/XX
6	ELEVATIONS - HINGES & BRICK MOULD
7	DETAILS 1 THRU 5
8	DETAILS 6 THRU 10
9	DOOR SECTIONS - VERTICAL XX
10	DOOR SECTIONS - VERTICAL O/XX
11	DOOR SECTIONS - HORIZONTAL XX
12	DOOR SECTIONS - HORIZONTAL O/XX
13 THRU 15	APPROVED CONFIGURATIONS

PERFORMANCE RATING			
DESIGN PRESSURE RATING (PSF)		WATER PENETRATION RATING	IMPACT RATING
MAXIMUM UNIT DIMENSIONS AND GLAZING	UP TO O.A. SIZE SHOWN ON ELEVATION VIEW		
76" X 123-1/8" XX INSWING 76" x 162-1/8" O/XX INSWING	±50.0	NONE (1)	MISSILE LEVEL D WIND ZONE 4
NOTE 1: PRODUCT NOT TESTED FOR WATER PENETRATION RESISTANCE. THEREFORE THE PRODUCT MUST BE USED WHERE WATER PENETRATION IS NOT REQUIRED OR WHERE AN OVERHANG MEETING THE REQUIREMENTS OF THE CURRENT EDITION FBC/FRC HAS BEEN EMPLOYED.			

PROJECT #420-0601

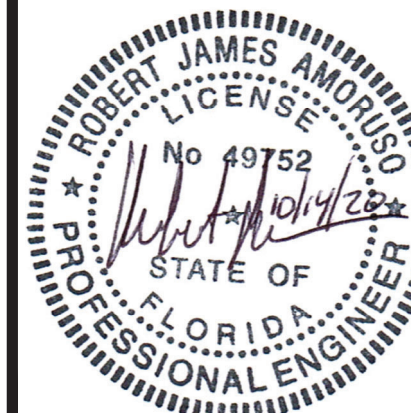
DSA Master Crafted Doors  
 10681 World Trade Blvd  
 Raleigh, NC 27617

Double Full View Door with Full View Transom  
 NOTES - GENERAL & INSTALLATION

DRAWN BY:	RJA	DATE:	2/11/17
SCALE:	N.T.S.	DRAWING NO.:	DSA0001
REV:	A	SHEET:	1 OF 15



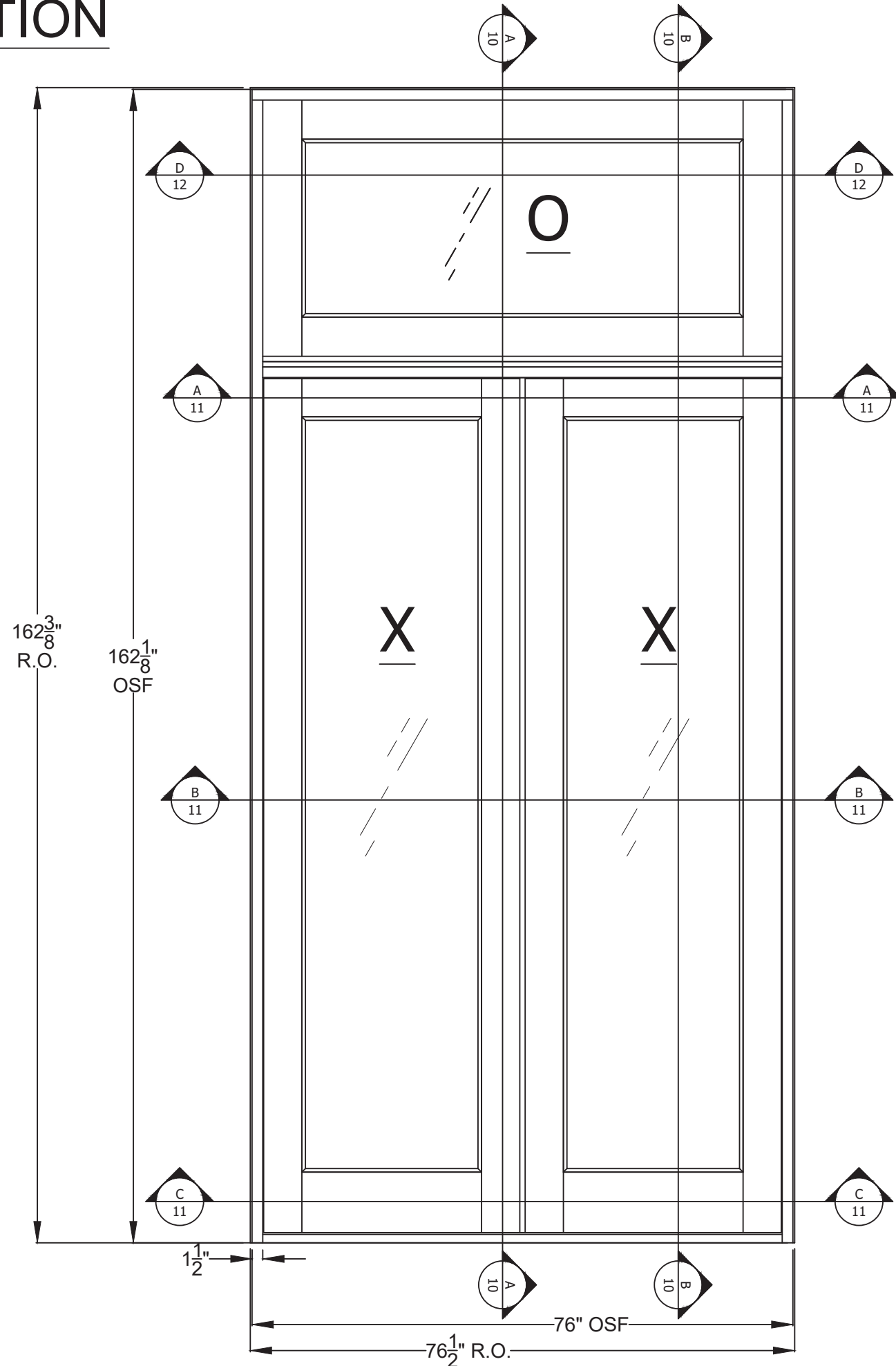
Robert J. Amoruso, P.E.  
Florida P.E. No. 49752





# O/XX ELEVATION

EXTERIOR



## PRODUCT LIMITATIONS:

1. MAXIMUM OVERALL (O.A.) FRAME SIZE
  - 1.1. 76" X 162-1/8"
2. MAXIMUM PANEL SIZE
  - 2.1. 36" X 120"
3. MINIMUM PANEL THICKNESS
  - 3.1. 2-1/4" (NOMINAL)
4. MAXIMUM DAYLIGHT OPENING (D.L.O.)
  - 4.1. DOOR PANEL: 24-1/4" X 105-5/8"
  - 4.2. TRANSOM:
    - 4.2.1. 61" X 24" (SHOWN)
    - 4.2.2. 67" X 30" (BASED ON MAXIMUM IN TESTING- TEST REPORT NO. ATLNC 0819.01-14)

PROJECT #420-0601

		10/14/20	RJA
A	UPDATED TO CURRENT FBC		
REV	DESCRIPTION	DATE	BY

DSA Master Crafted Doors  
10681 World Trade Blvd  
Raleigh, NC 27617

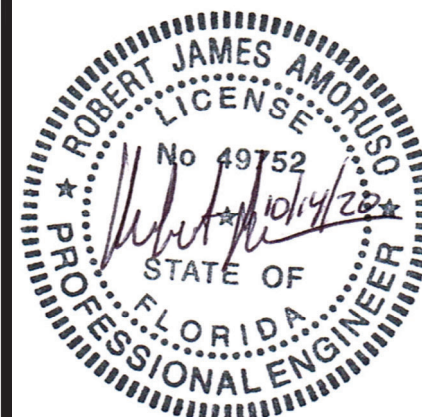
TITLE: Double Full View Door with Full View Transom  
O/XX ELEVATION

DATE:	2/1/17
DRAWING NO.:	DSA0001
DRAWN BY:	RJA
SCALE:	N.T.S.
REV:	A
SHEET:	3 OF 15



PTC PRODUCT DESIGN GROUP, LLC  
1000 WOODBRIDGE BLVD  
LONGWOOD, FLORIDA 32752  
Phone: 321.690.1788  
Fax: 321.690.1789  
Email: info@ptc-corp.com

Robert J. Amoruso, P.E.  
Florida P.E. No. 49752

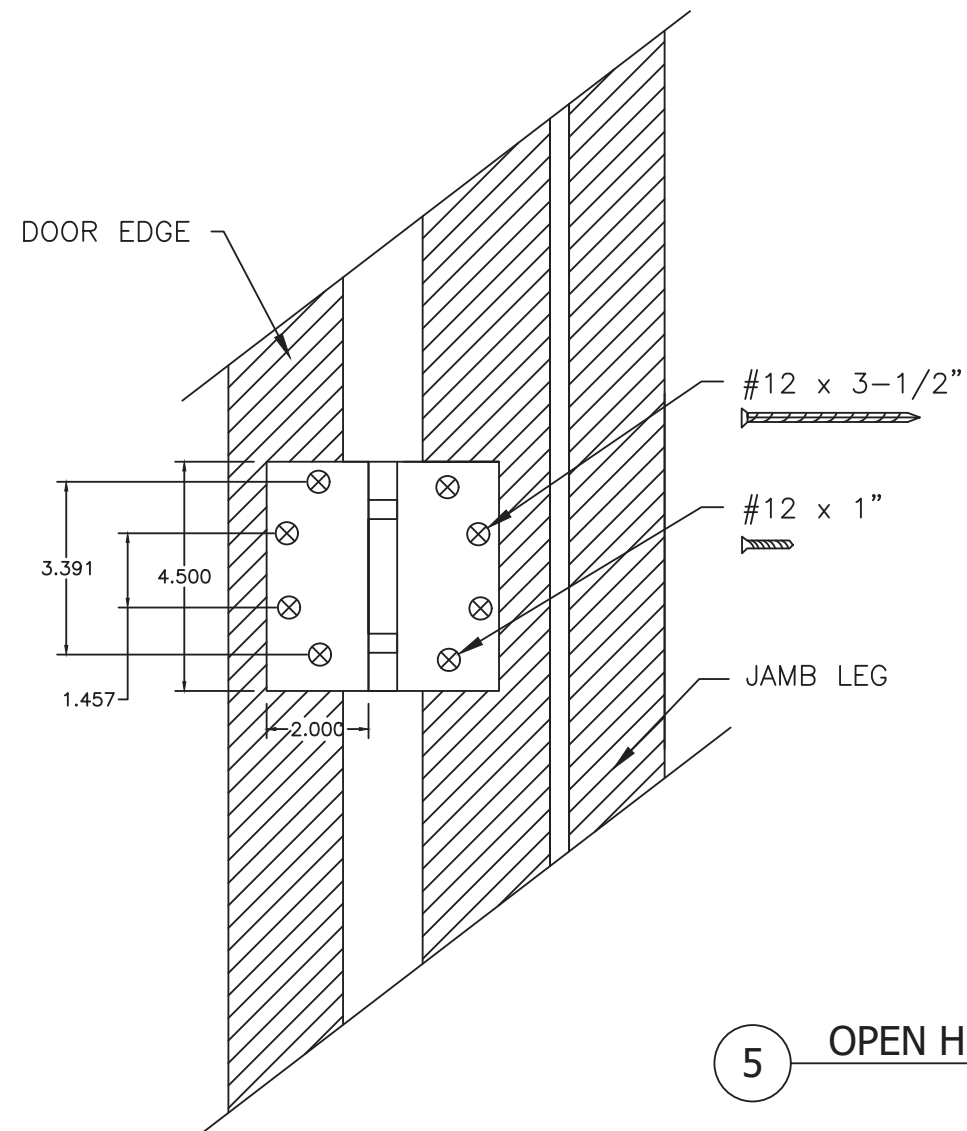
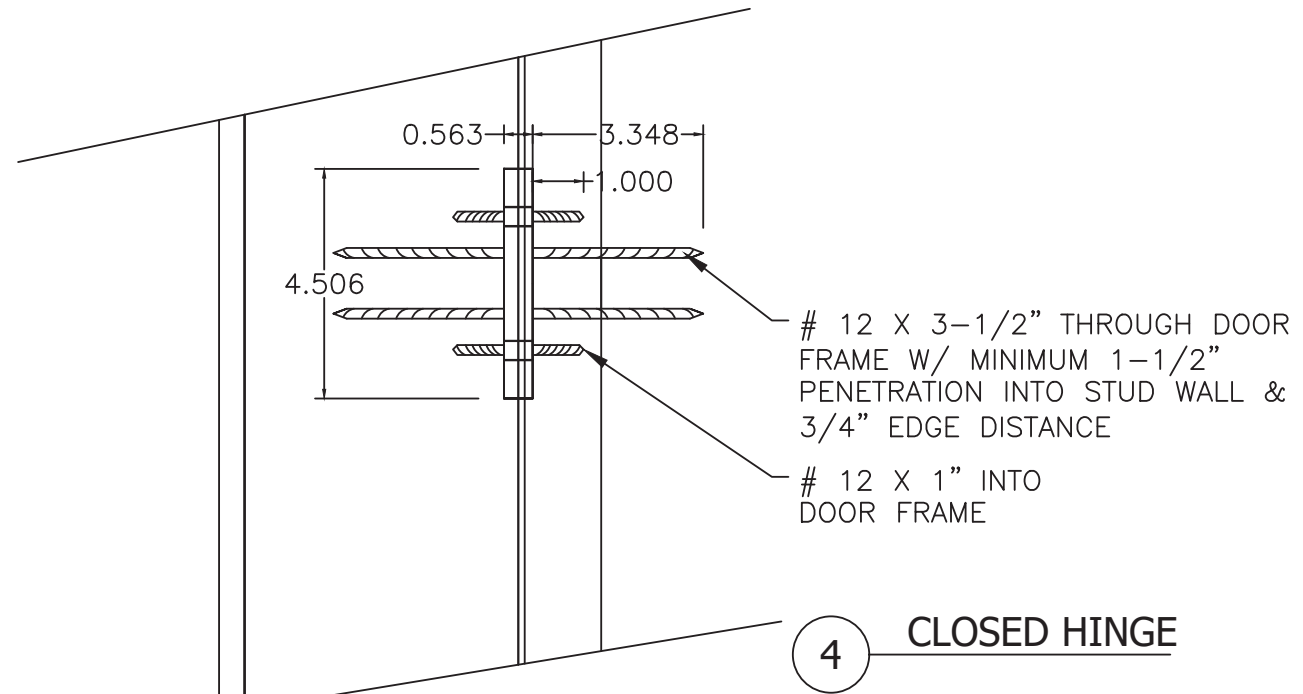
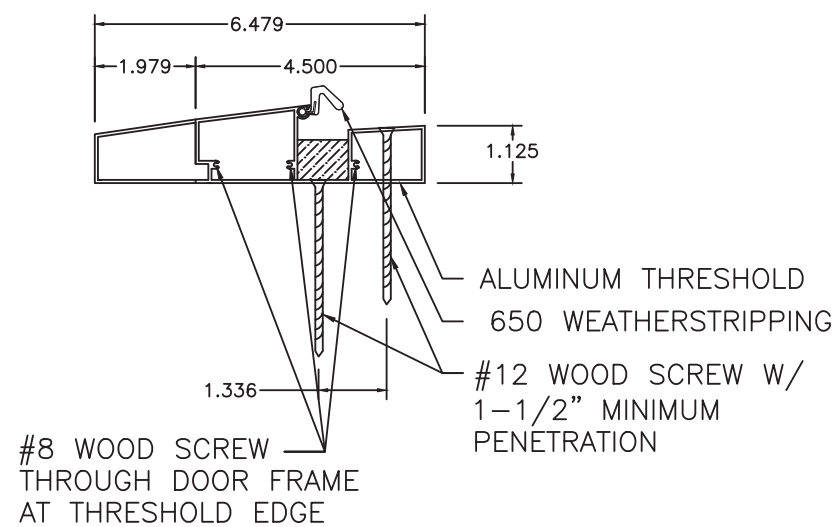
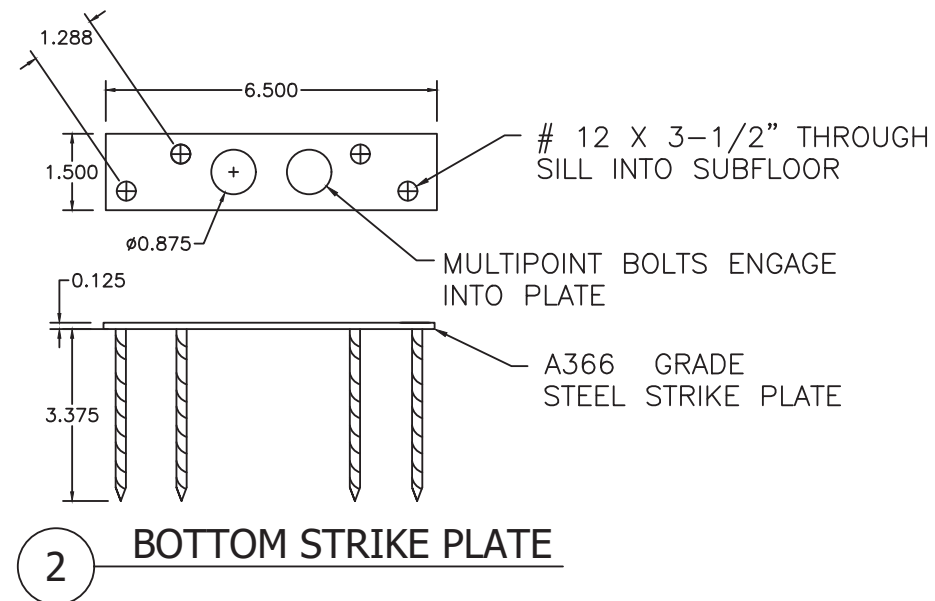
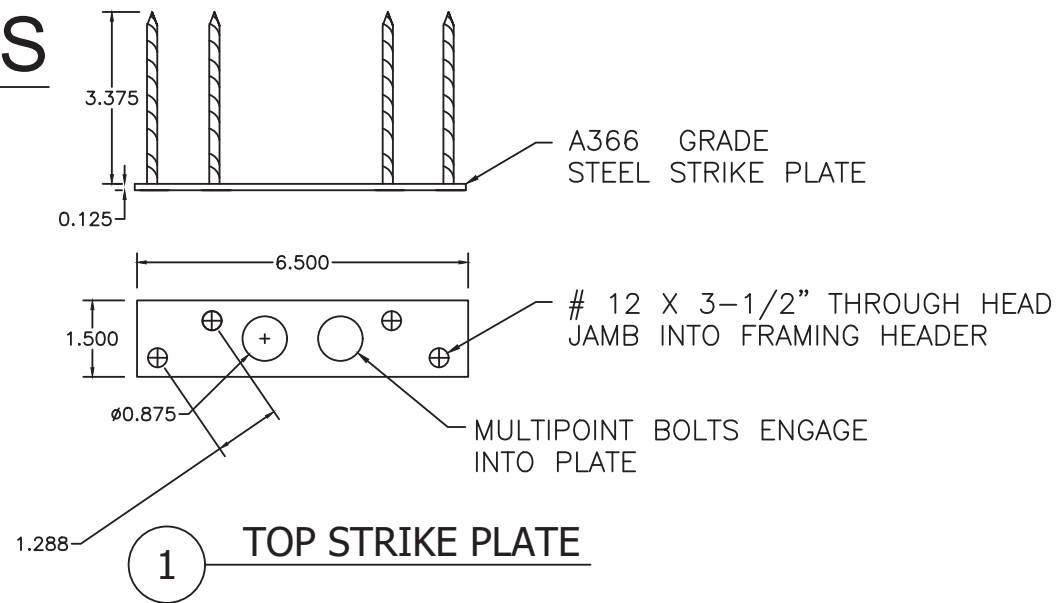








# DETAILS



PROJECT #420-0601

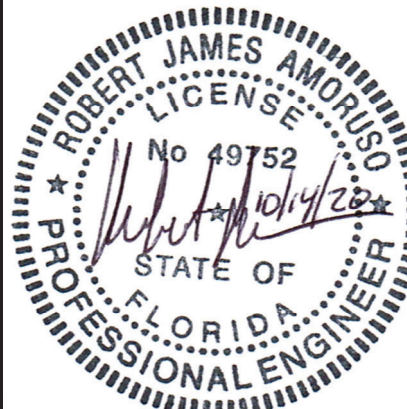
DSA Master Crafted Doors  
10681 World Trade Blvd  
Raleigh, NC 27617

TITLE: Double Full View Door with Full View Transom  
DETAILS 1 THRU 5

PREPARED BY: RJA  
DRAWN BY: RJA  
DATE: 2/1/17  
SCALE: N.T.S.  
REV: A  
DRAWING NO.: DSA0001  
SHEET: 7 OF 15

PTC PRODUCT DESIGN GROUP, LLC  
LONGWOOD, FLORIDA 32752  
PHONE: 321.690.1788  
FAX: 321.690.1789  
EMAIL: info@ptc-corp.com

Robert J. Amoruso, P.E.  
Florida P.E. No. 49752

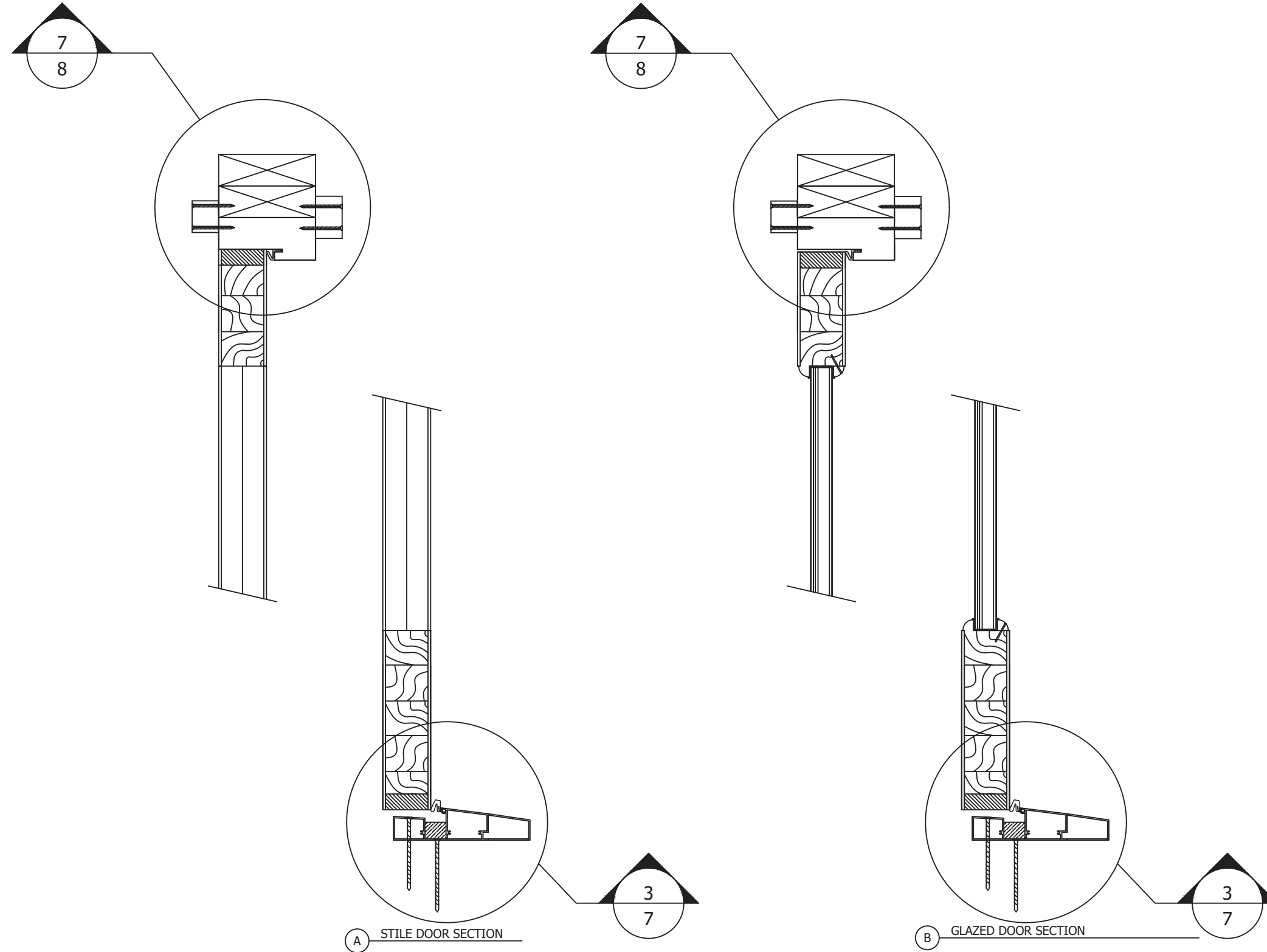






# SECTIONS

## XX DOOR VERTICAL VIEWS



(A) STILE DOOR SECTION

(B) GLAZED DOOR SECTION

PROJECT #420-0601

DSA Master Crafted Doors  
10681 World Trade Blvd  
Raleigh, NC 27617

TITLE: Double Full View Door with Full View Transom  
DOOR SECTIONS - VERTICAL XX

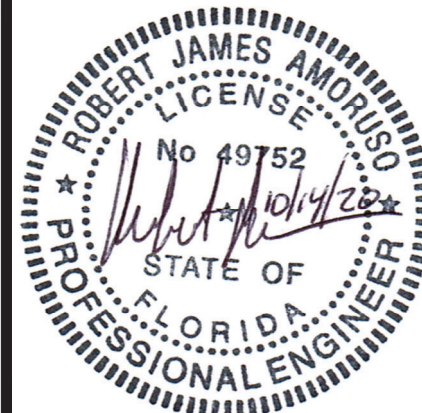
PREPARED BY: PTC PRODUCT DESIGN GROUP, LLC  
LONGWOOD, FLORIDA 32752  
FBPE C.A. NO. 25935

DRAWN BY: RJA  
SCALE: N.T.S.  
REV: A

DATE: 2/1/17  
DRAWING NO: DSA0001  
SHEET: 9 OF 15

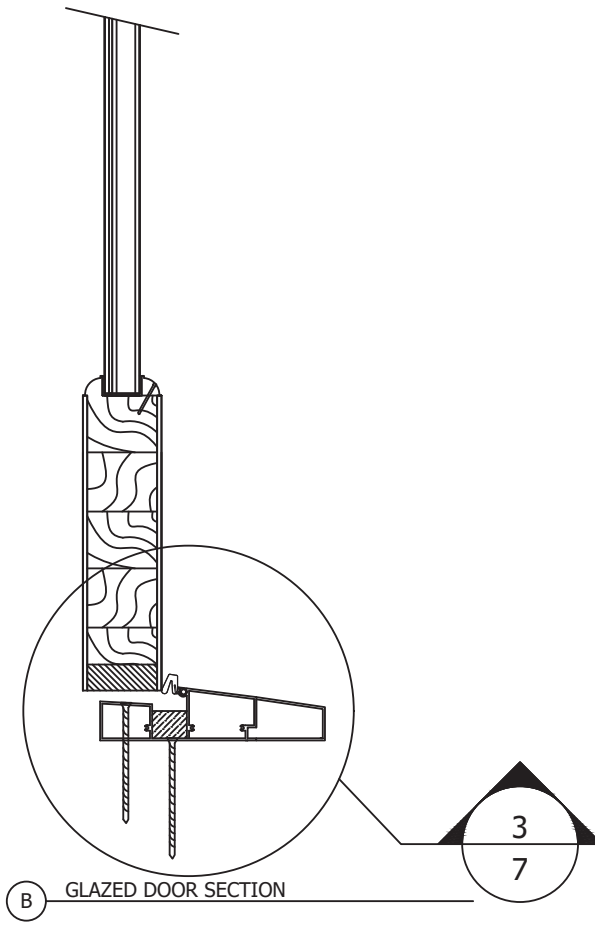
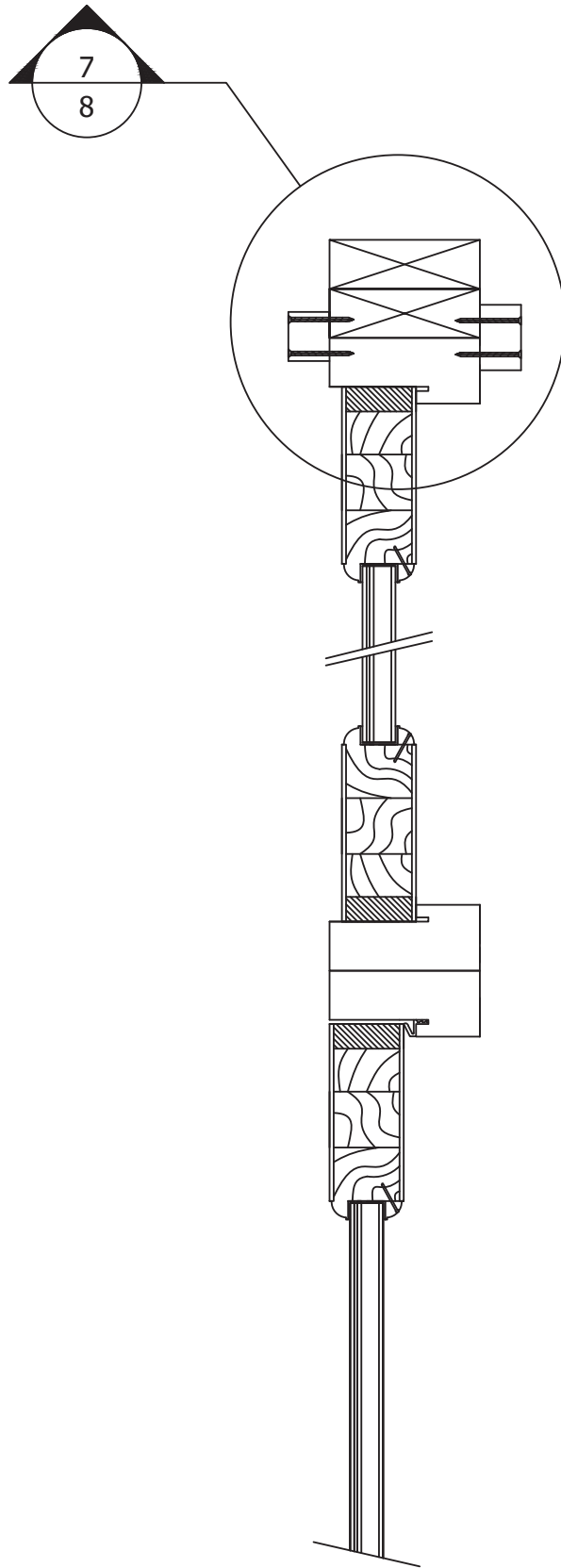
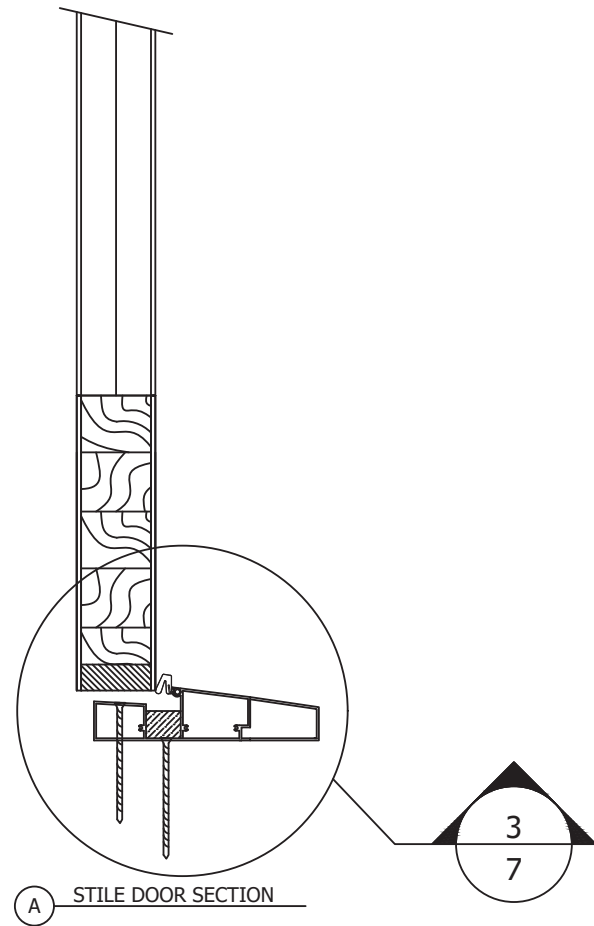
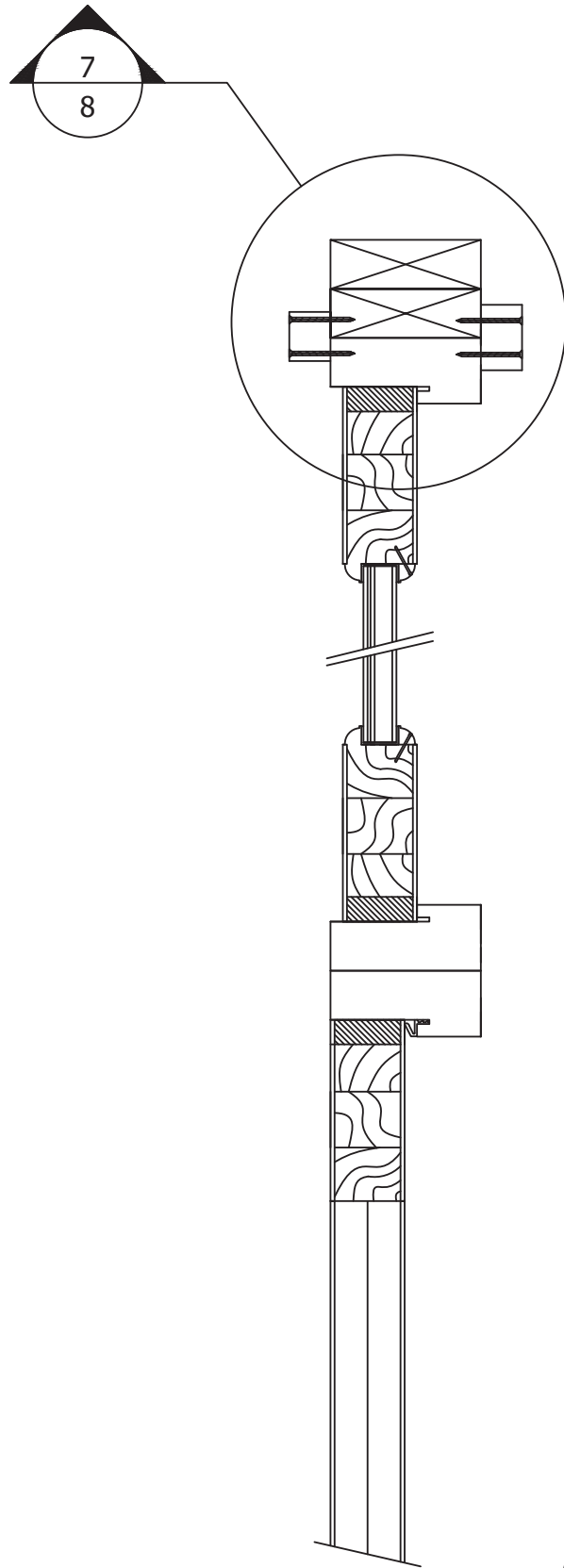
REV	DESCRIPTION	DATE	BY
A	UPDATED TO CURRENT FBC	10/14/20	RJA

Robert J. Amoruso, P.E.  
Florida P.E. No. 49752



# SECTIONS

## O/XX DOOR VERTICAL VIEWS



PROJECT #420-0601

REV	DESCRIPTION	DATE	BY
A	UPDATED TO CURRENT FBC	10/14/20	RJA

DSA Master Crafted Doors  
10681 World Trade Blvd  
Raleigh, NC 27617

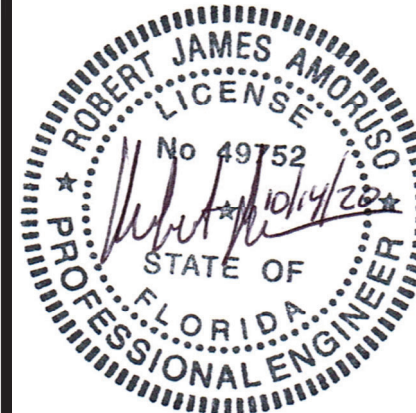
TITLE: Double Full View Door with Full View Transom  
DOOR SECTIONS - VERTICAL O/XX

PREPARED BY: RJA  
SCALE: N.T.S.  
REV: A

DRAWN BY: RJA  
DATE: 2/1/17  
DRAWING NO: DSA0001  
SHEET: 10 OF 15

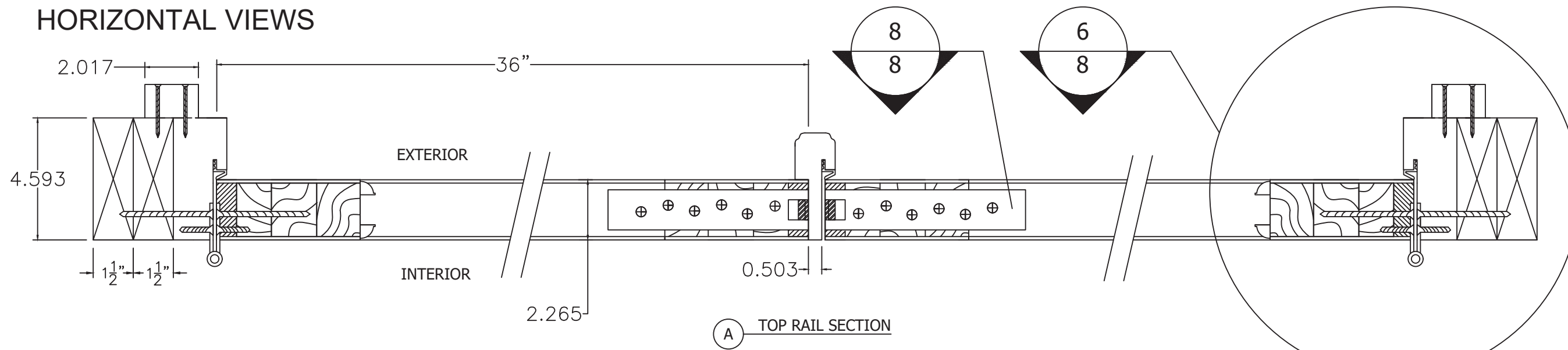


Robert J. Amoruso, P.E.  
Florida P.E. No. 49752

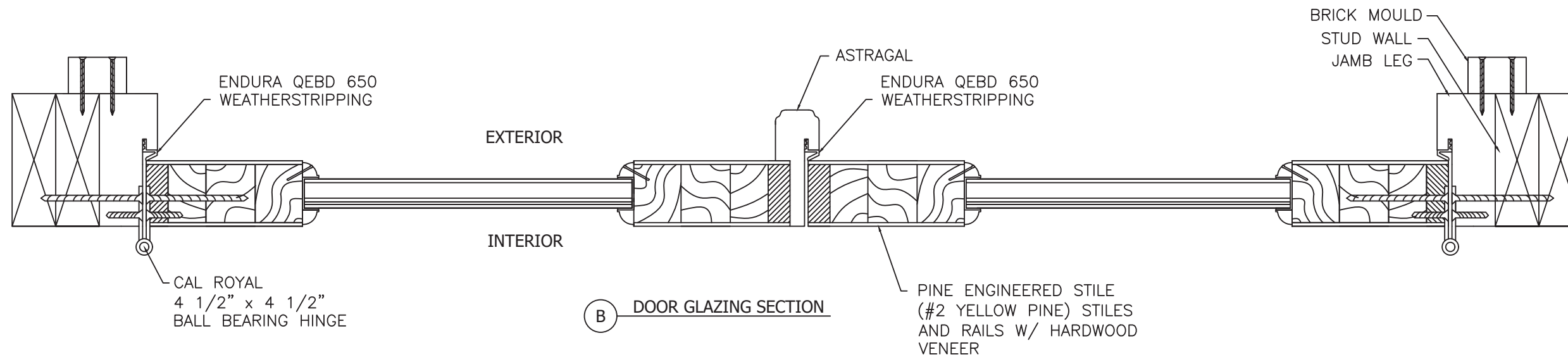


# SECTIONS

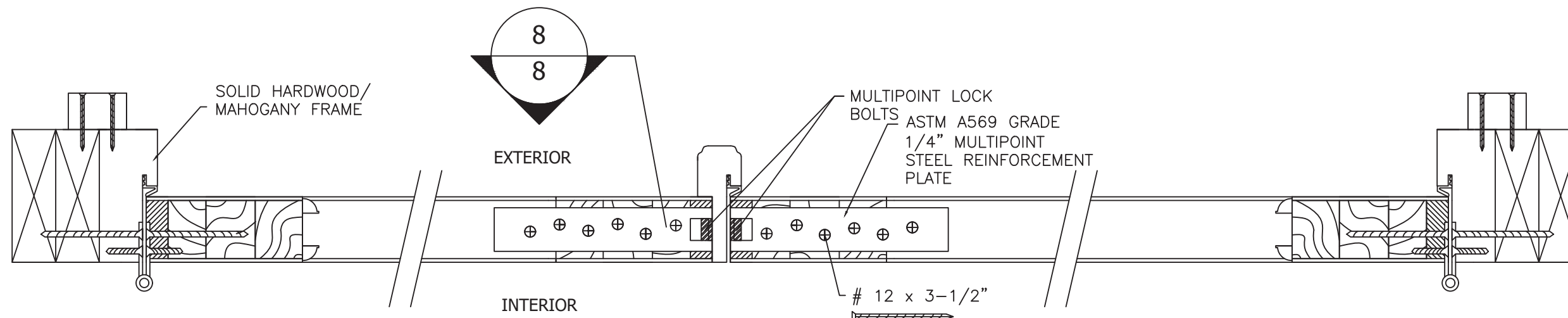
## XX & O/XX DOOR HORIZONTAL VIEWS



(A) TOP RAIL SECTION



(B) DOOR GLAZING SECTION



(C) BOTTOM RAIL SECTION

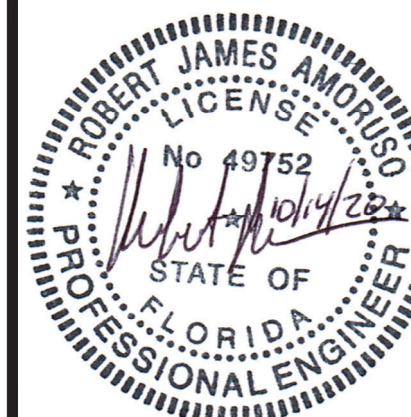
PROJECT #420-0601

DSA Master Crafted Doors  
10681 World Trade Blvd  
Raleigh, NC 27617

TITLE: Double Full View Door with Full View Transom  
DOOR SECTIONS - HORIZONTAL XX & O/XX

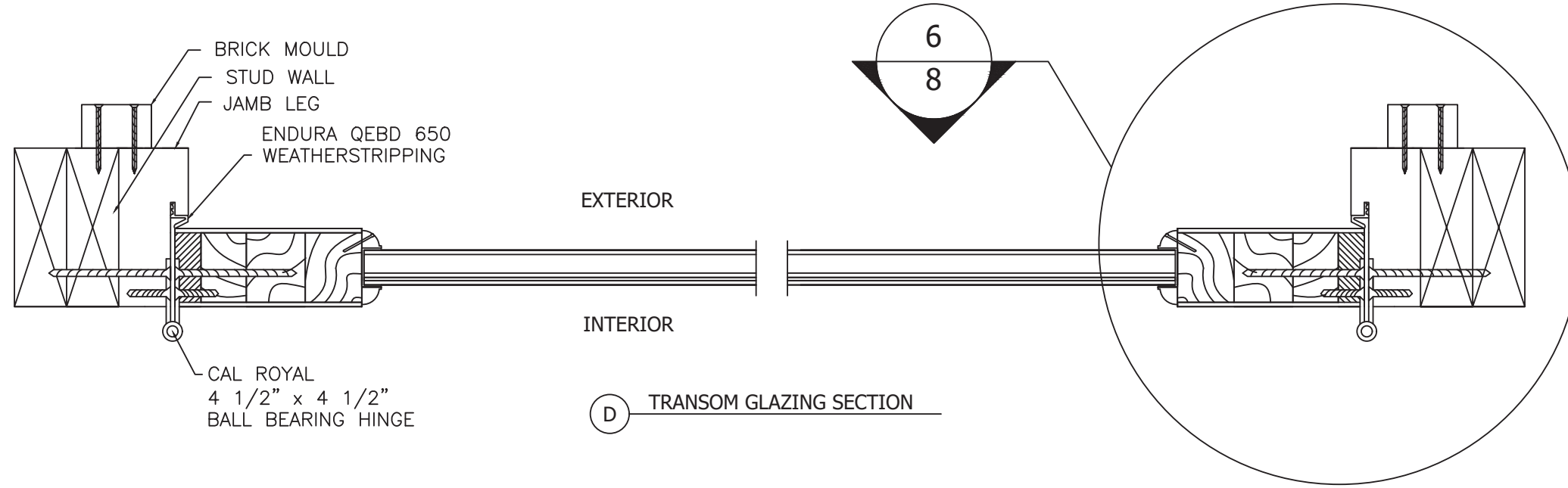
DATE:	2/1/17	REV:	A
DRAWN BY:	RJA	DESCRIPTION:	UPDATED TO CURRENT FBC
SCALE:	N.T.S.	DATE:	10/14/20
REV:	A	BY:	RJA
PREPARED BY:	PTC	SHEET:	11 OF 15
PHONE:	321.690.1788		
FAX:	321.690.1789		
EMAIL:	info@ptc-corp.com		

Robert J. Amoruso, P.E.  
Florida P.E. No. 49752



# SECTIONS

## O/XX DOOR HORIZONTAL VIEWS



PROJECT #420-0601

			10/14/20	RJA
A		UPDATED TO CURRENT FBC		
REV		DESCRIPTION	DATE	BY

DSA Master Crafted Doors  
10681 World Trade Blvd  
Raleigh, NC 27617

Double Full View Door with Full View Transom  
DOOR SECTIONS - HORIZONTAL O/XX

DRAWN BY:	RJA	DATE:	2/1/17
SCALE:	N.T.S.	DRAWING NO.:	DSA0001
REV:	A	SHEET:	12 OF 15

**PTC**

PTC PRODUCT DESIGN GROUP, LLC  
LONGWOOD, FLORIDA 32752  
FBPE C.A. NO. 25935

Phone: 321.690.1788  
Fax: 321.690.1789  
Email: info@ptc-corp.com

Robert J. Amoruso, P.E.  
Florida P.E. No. 49752

