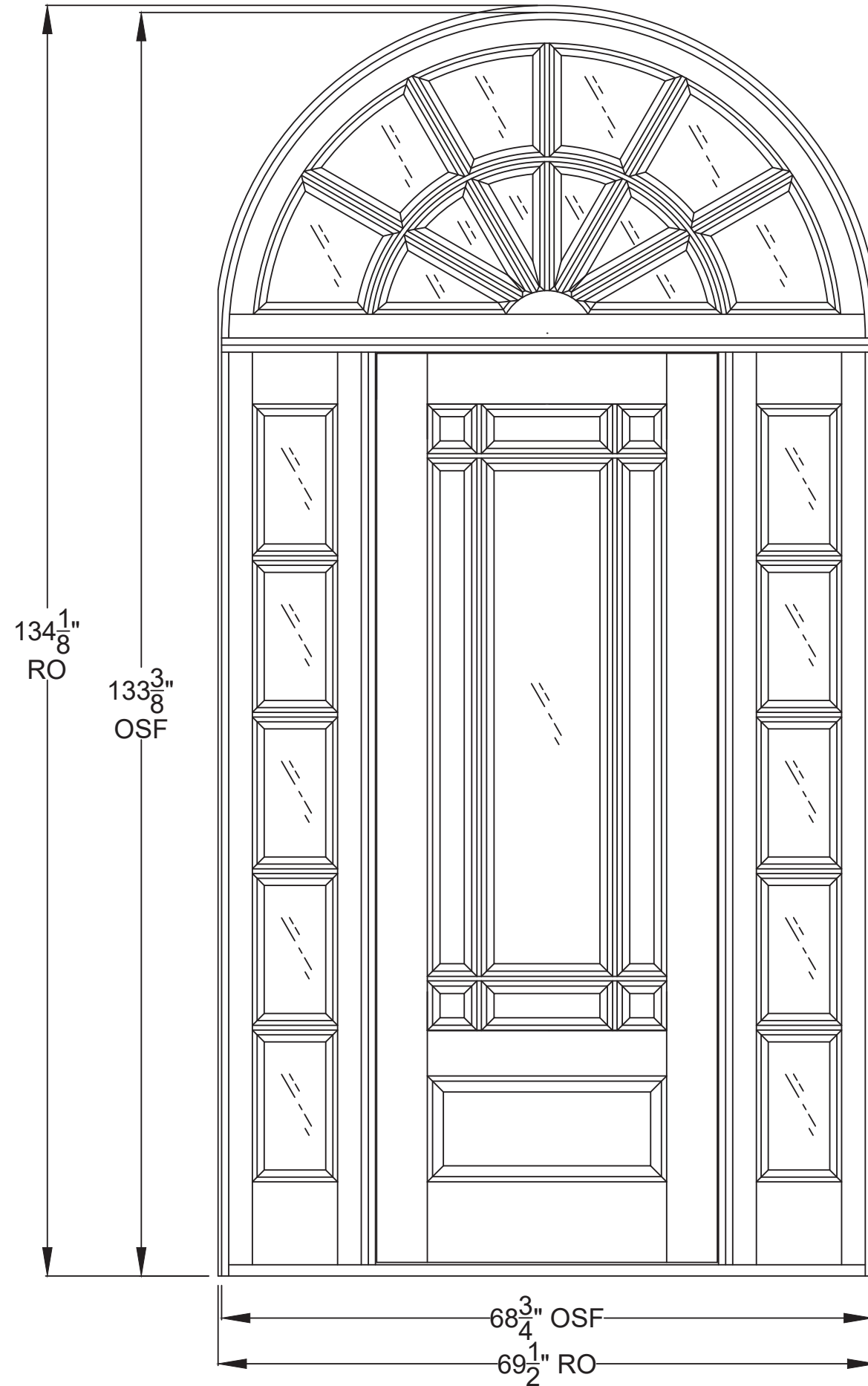


ELEVATION

EXTERIOR



PRODUCT LIMITATIONS:

1. MAXIMUM OVERALL (O.A.) FRAME SIZE
 - 1.1. 68-3/4" X 133-3/8"
2. MAXIMUM PANEL SIZE
 - 2.1. 36" X 96"
3. MINIMUM PANEL THICKNESS
 - 3.1. 1-3/4" (NOMINAL)
4. MAXIMUM DAYLIGHT OPENING (D.L.O.)
 - 4.1. TDL
 - 4.1.1. DOOR PANEL HAS 9 TDL LITES - SEE SHEET 6.
 - 4.1.2. SIDELITE HAS 5 TDL LITES - SEE SHEET 6.
 - 4.1.3. TRANSOM HAS 12 TDL LITES - SEE SHEET 6.
 - 4.2. FULL VIEW LITE (NO TDL)
 - 4.2.1. DOOR PANEL D.L.O. 23-1/2" X 64-3/8" (BASED ON UNCUT GLASS SIZE OF 25" X 65-7/8" - 3/4" GLASS BITE)
 - 4.2.2. SIDELITE PANEL D.L.O. 7-1/4" X 80-3/8" (BASED ON UNCUT GLASS SIZE OF 8-3/4" X 81-7/8" - 3/4" GLASS BITE)
 - 4.2.3. TRANSOM PANEL D.L.O. 60-1/4" X 26-7/8" (BASED ON UNCUT GLASS SIZE OF 61-3/4" X 28-3/8" - 3/4" GLASS BITE)
5. DOOR RAISED PANEL SIZE
 - 5.2. BOTTOM: 25-5/16" X 11-3/16"
 - 5.3. TOP: 25-5/16" X 66-3/8"

PROJECT #420-0601

DSA Master Crafted Doors
10681 World Trade Blvd
Raleigh, NC 27617

TITLE: Alexandria 9 Lite Single Door with Sidelites and Transom
ELEVATION

PREPARED BY: RJA

DATE: 2/1/17

SCALE: N.T.S.

REV: A

DRAWING NO: DSA0002

SHEET: 2 OF 13

REV: A

DESCRIPTION

DATE

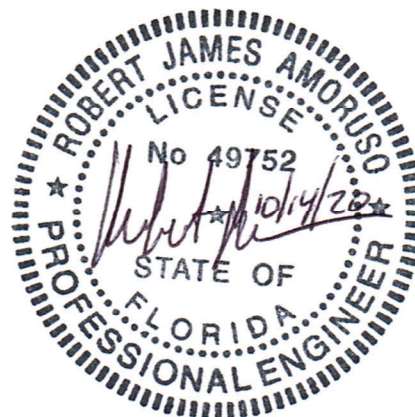
BY

10/14/20

RJA

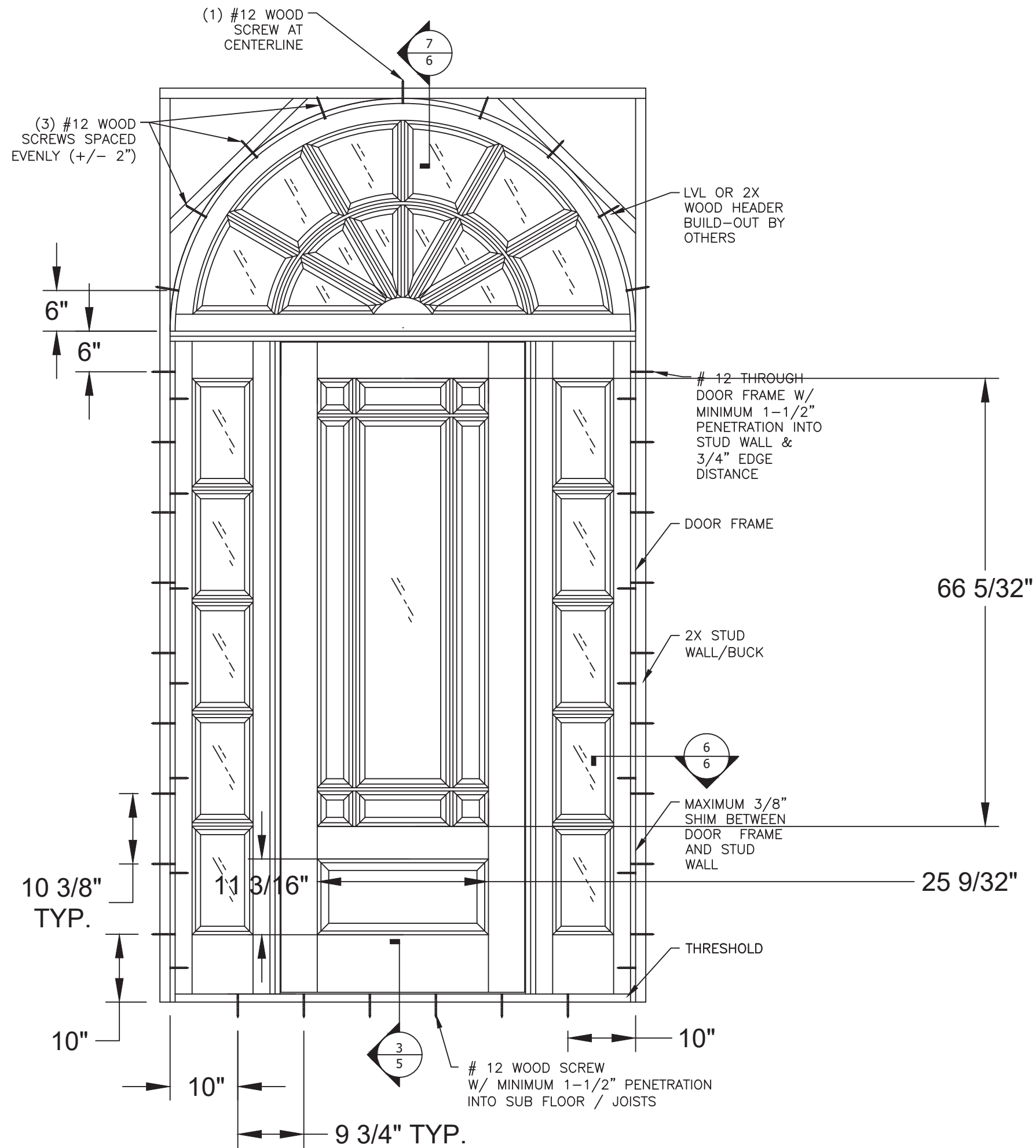
UPDATED TO CURRENT FBC

Robert J. Amoruso, P.E.
Florida P.E. No. 49752



ELEVATION

INSTALLATION ANCHORAGE



PROJECT #420-0601

DSA Master Crafted Doors
10681 World Trade Blvd
Raleigh, NC 27617

TITLE: Alexandria 9 Lite Single Door with Sidelites and Transom
ELEVATION - ANCHOR LAYOUT

PREPARED BY: RJA

DATE: 2/1/17

SCALE: N.T.S.

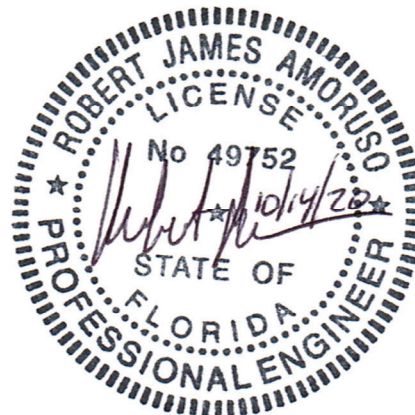
REV: A

DRAWING NO: DSA0002

SHEET: 3 OF 13

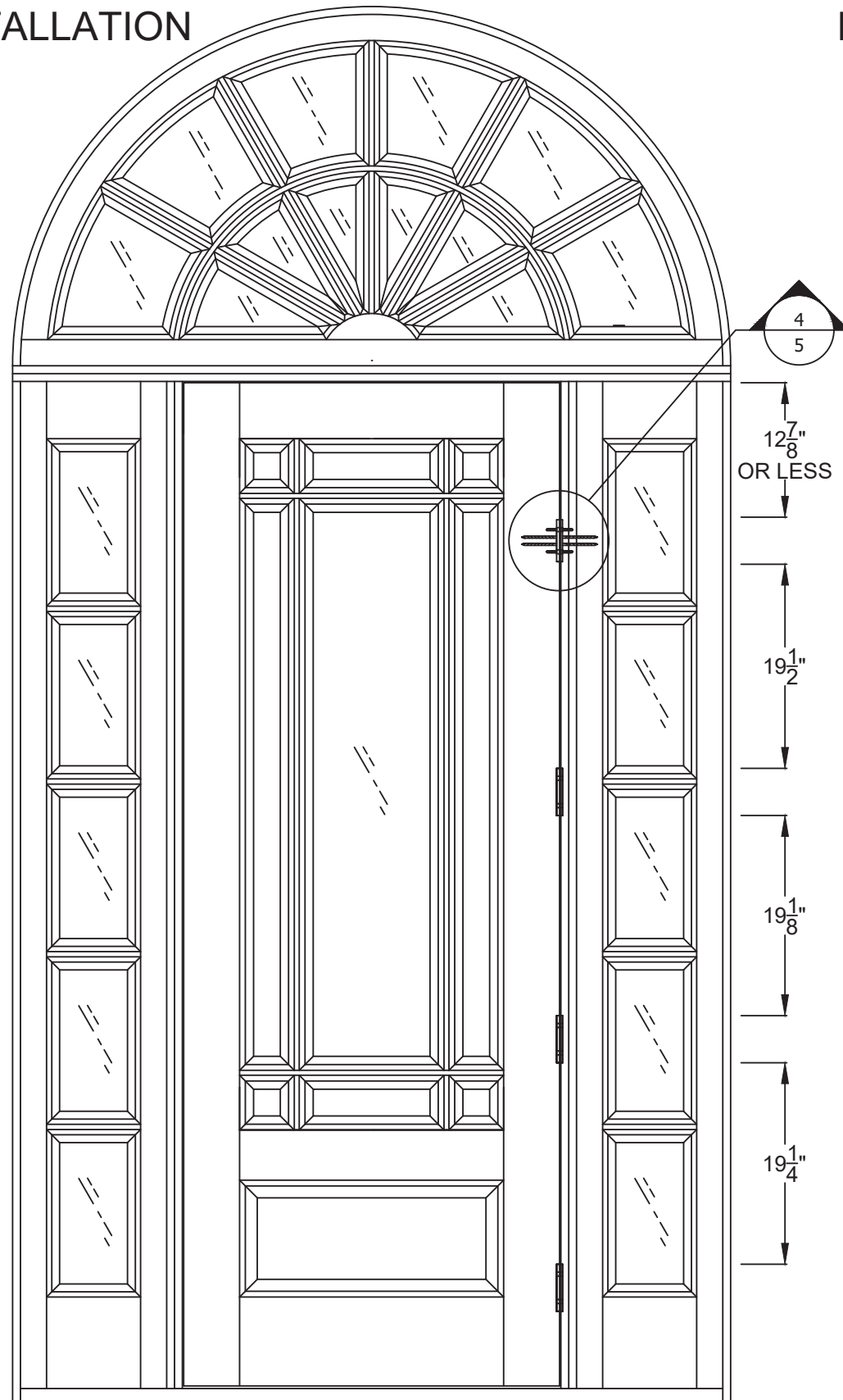


Robert J. Amoruso, P.E.
Florida P.E. No. 49752



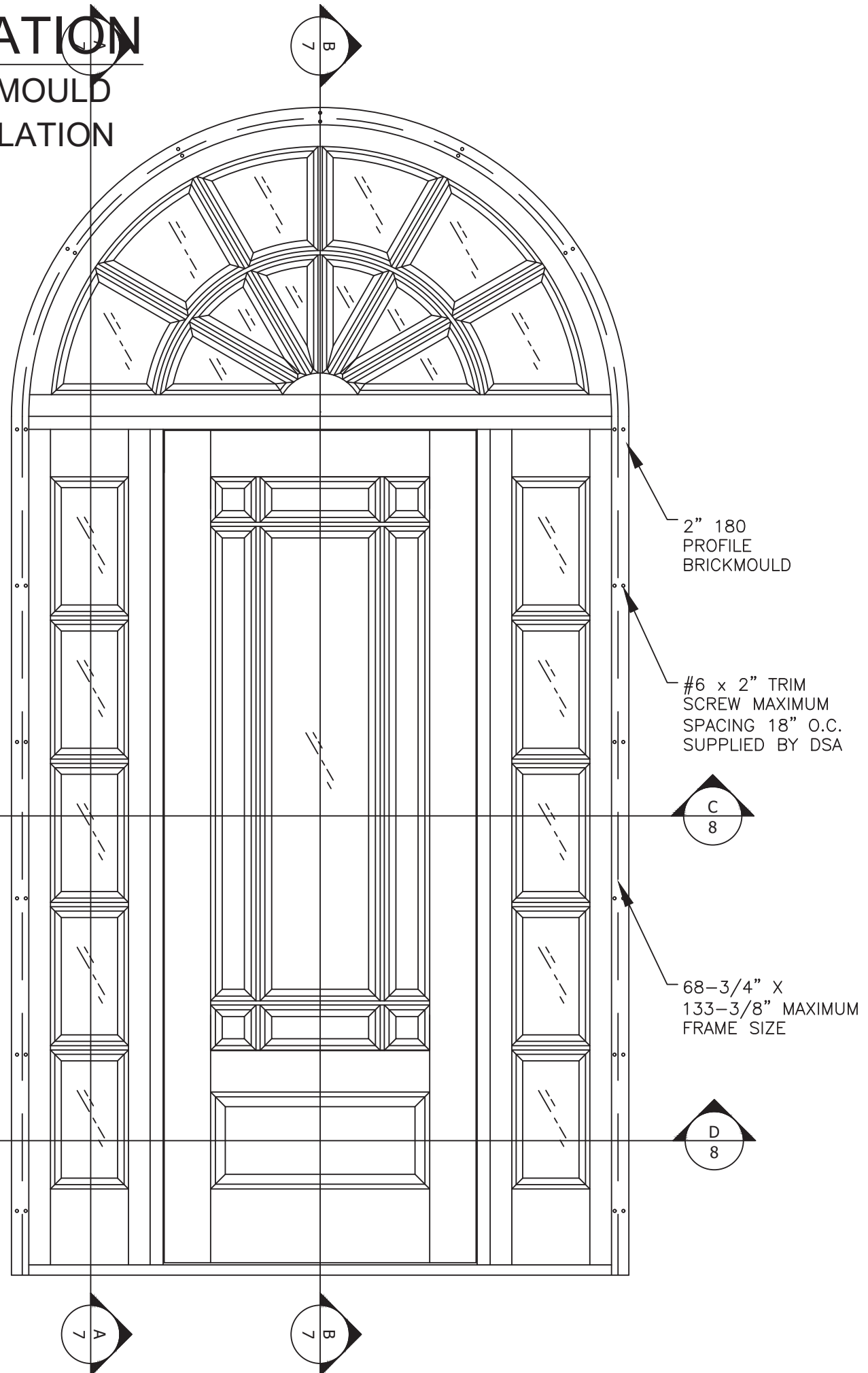
ELEVATION

HINGE LOCATION AND INSTALLATION



ELEVATION

BRICK MOULD INSTALLATION



PROJECT #420-0601

DSA Master Crafted Doors
10681 World Trade Blvd
Raleigh, NC 27617

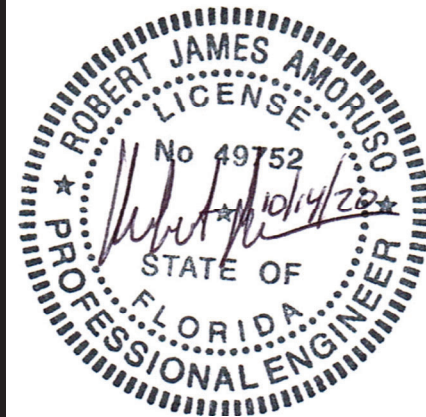
TITLE: Alexandria 9 Lite Single Door with Sidelites and Transom
ELEVATIONS - HINGES & BRICK MOULD

PREPARED BY:	DATE:	DRAWING NO.:	SHEET:
RJA	2/1/17	DSA0002	4 OF 13
SCALE:	N.T.S.	REV:	A

REV	DESCRIPTION	DATE	BY
A	UPDATED TO CURRENT FBC	10/14/20	RJA

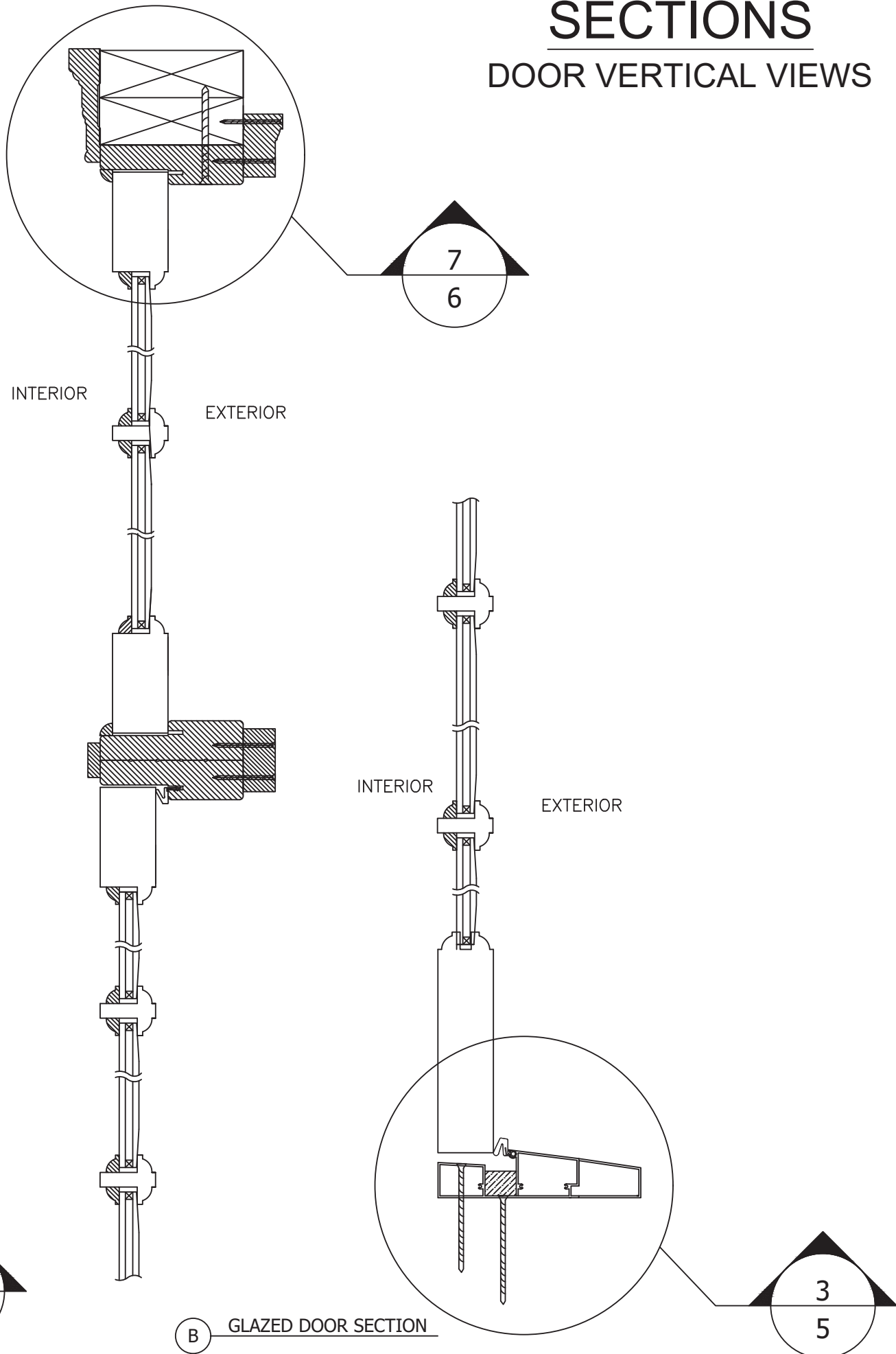
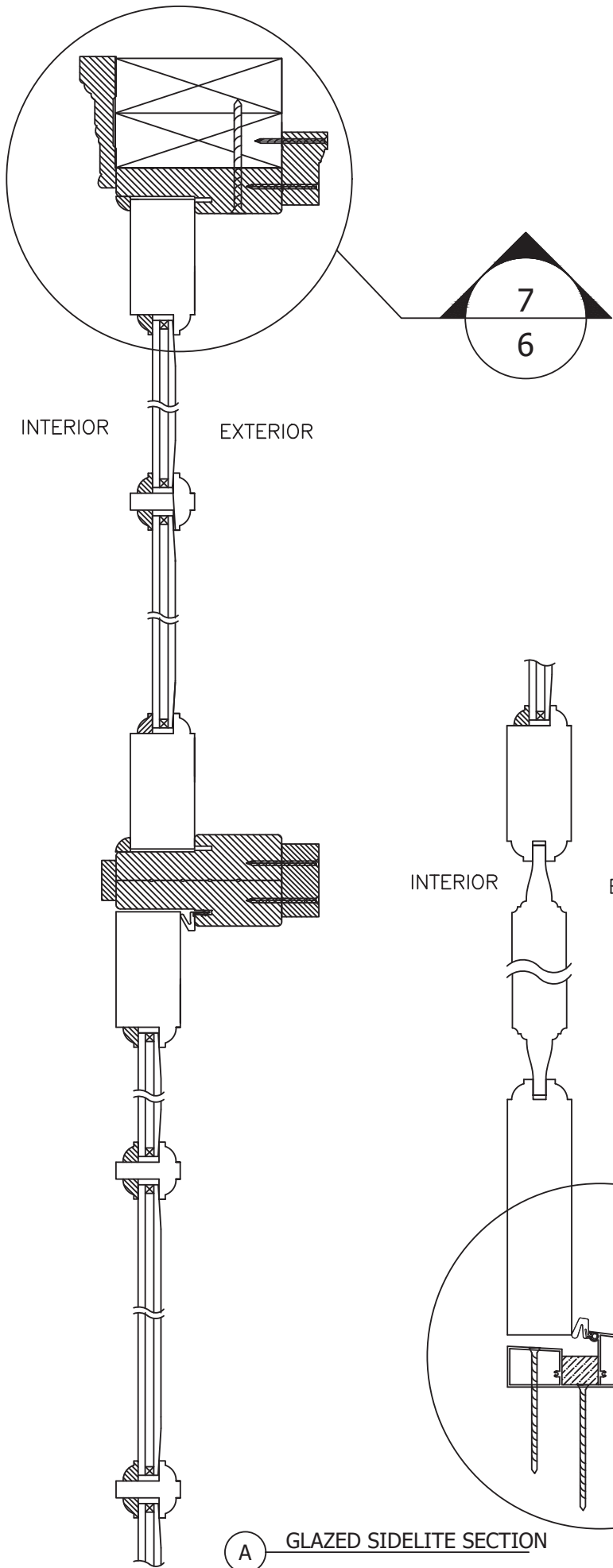
PTC PRODUCT DESIGN GROUP, LLC
LONGWOOD, FLORIDA 32752
FBPE C.A. NO. 25935
Phone: 321.690.1788
Fax: 321.690.1789
Email: info@ptc-corp.com

Robert J. Amoruso, P.E.
Florida P.E. No. 49752



SECTIONS

DOOR VERTICAL VIEWS



PROJECT #420-0601

			10/14/20	RJA
			UPDATED TO CURRENT FBC	
			REV	DESCRIPTION
			DATE	BY

DSA Master Crafted Doors
10681 World Trade Blvd
Raleigh, NC 27617

TITLE: Alexandria 9 Lite Single Door with Sidelites and Transom
DOOR SECTIONS - VERTICAL

DRAWN BY:	RJA	DATE:	2/1/17	DRAWING NO.:	DSA0002
SCALE:	N.T.S.	REV:	A	SHEET:	7 OF 13

PTC PRODUCT DESIGN GROUP, LLC Phone: 321.690.1788
1000 W. FLORIDA AVE. Fax: 321.690.1789
LONGWOOD, FLORIDA 32752 Email: info@ptc-corp.com
FBPE C.A. NO. 29335

Robert J. Amoruso, P.E.
Florida P.E. No. 49752

APPROVED CONFIGURATIONS

MAXIMUM FRAME, DOOR PANEL AND D.L.O. SIZES SHOWN ON SHEET 2 MUST BE MET.

TUSCANY COLLECTION



CLIFFS REDWOOD COLLECTION



PROJECT #420-0601

DSA Master Crafted Doors
10681 World Trade Blvd
Raleigh, NC 27617

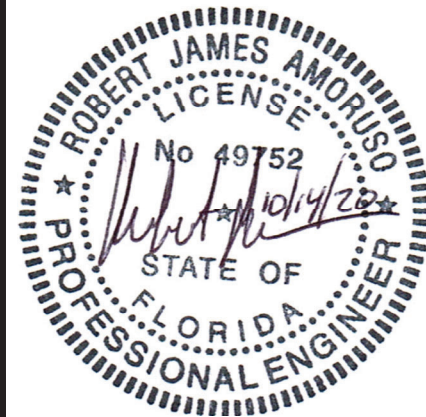
TITLE: Alexandria 9 Lite Single Door with Sidelites and Transom
APPROVED CONFIGURATIONS

PREPARED BY: FBPE
DRAWN BY: RJA
DATE: 2/1/17
SCALE: N.T.S.
DRAWING NO: DSA0002
REV: A
SHEET: 10 OF 13

PTC PRODUCT DESIGN GROUP, LLC
10000 WOODBRIDGE BLVD
LONGWOOD, FLORIDA 32752
FBPE, C.A. NO. 25935
Phone: 321.690.1788
Fax: 321.690.1789
Email: info@ptc-corp.com

A	REV	DESCRIPTION	DATE
		UPDATED TO CURRENT FBC	10/14/20
			RJA
			BY

Robert J. Amoruso, P.E.
Florida P.E. No. 49752



APPROVED CONFIGURATIONS

MAXIMUM FRAME, DOOR PANEL AND D.L.O. SIZES SHOWN ON SHEET 2 MUST BE MET.

BUILDER COLLECTION



PROJECT #420-0601

DSA Master Crafted Doors
10681 World Trade Blvd
Raleigh, NC 27617

TITLE: Alexandria 9 Lite Single Door with Sidelites and Transom
APPROVED CONFIGURATIONS

PREPARED BY: RJA
DRAWN BY: RJA
DATE: 2/1/17

SCALE: N.T.S.
DRAWING NO: DSA0002

REV: A
SHEET: 12 OF 13



Robert J. Amoruso, P.E.
Florida P.E. No. 49752

