

DSA Master Crafted Doors

Full View Door with Full View Sidelites and Transom

INSTALLATION ANCHORAGE DETAILS

GENERAL NOTES:

- THIS PRODUCT IS DESIGNED TO COMPLY WITH THE CURRENT EDITION FLORIDA BUILDING CODE - BUILDING AND RESIDENTIAL REQUIREMENTS EXCLUDING THE HIGH VELOCITY HURRICANE ZONE (HVHZ) AT THE DESIGN PRESSURE(S) STATED HEREIN. THE PRODUCT DETAILS CONTAINED HEREIN ARE BASED UPON SIGNED AND SEALED TEST REPORT NO. ATLNC 0819.01-14 DATED 10/13/14 AND ASSOCIATED LABORATORY STAMPED DRAWINGS. TESTING WAS PERFORMED TO THE FOLLOWING:
 - ASTM E330-02
 - ASTM E283-04
 - ASTM E1886-05
 - ASTM E1996-09
- ADEQUACY OF THE EXISTING STRUCTURAL CONCRETE / MASONRY AND 2X FRAMING AS A MAIN WIND FORCE RESISTING SYSTEM CAPABLE OF WITHSTANDING AND TRANSFERRING APPLIED PRODUCT LOADS TO THE STRUCTURE IS THE RESPONSIBILITY OF THE ARCHITECT OR ENGINEER OF RECORD.
- 1X AND 2X BUCKS (WHEN USED) SHALL BE DESIGNED AND ANCHORED TO PROPERLY TRANSFER ALL LOADS TO THE STRUCTURE. BUCK DESIGN AND INSTALLATION IS THE RESPONSIBILITY OF THE ARCHITECT OR ENGINEER OF RECORD.
- IN AREAS WHERE WIND-BORNE DEBRIS PROTECTION REQUIREMENTS EXIST, USE OF AN APPROVED IMPACT PROTECTIVE SYSTEM IS NOT REQUIRED WITH THIS PRODUCT.
- DOOR FRAME AND PANEL MATERIAL: MAHOGANY
- GLAZING:
 - 1" OVERALL THICKNESS: 5/32" TEMPERED, AIR SPACE (XL EDGE SPACER), 5/16" LAMINATED (1/8" ANNEALED/ KURARAY BUTACITE .090 PVB INTERLAYER/ 1/8" ANNEALED) BY CARDINAL GLASS INDUSTRIES INC. GLAZED USING DOW 995 STRUCTURAL ADHESIVE GRADE SEALANT.
 - GLASS MEETS THE REQUIREMENTS OF ASTM E1300-04e01.
- SITE CONDITIONS THAT DEVIATE FROM THE DETAILS OF THIS DRAWING REQUIRE FURTHER ENGINEERING EVALUATION BY A LICENSED ENGINEER OR REGISTERED ARCHITECT.
- DESIGNATIONS "X" AND "O" (WHERE APPLICABLE) STAND FOR THE FOLLOWING:
 - X: OPERABLE PANEL
 - O: FIXED PANEL
- HARDWARE (AS-TESTED; SUBSTITUTIONS ALLOWED PER FBC REQUIREMENTS):
 - MULTI-POINT LOCK AND HANDLES BY ASHLAND HARDWARE.
 - HINGES: (4) STEEL 4-1/2" X 4-1/2" BALL BEARING HINGES BY CAL ROYAL.

TABLE OF CONTENTS	
SHEET	DESCRIPTION
1	NOTES - GENERAL & INSTALLATION
2	ELEVATION
3	ELEVATION - ANCHOR LAYOUT
4	ELEVATIONS - HINGES & BRICK MOULD
5	DETAILS 1 THRU 5
6	DETAILS 6 THRU 10
7	DOOR SECTIONS - VERTICAL
8	DOOR SECTIONS - HORIZONTAL
9	DOOR SECTIONS - HORIZONTAL
10 THRU 13	APPROVED CONFIGURATIONS

INSTALLATION NOTES:

- SEE ELEVATION (SHEET 3), SECTION VIEWS (SHEET 7 & 8) AND DETAILS (SHEETS 5 AND 6) FOR INSTALLATION ANCHOR TYPE, LOCATION, QUANTITY AND PLACEMENT IN 2X WOOD FRAMING OR 2X WOOD BUCKING. FOR INSTALLATION ANCHORS IN CONCRETE AND MASONRY CONSTRUCTION, SEE NOTE 2 BELOW.
- INSTALLATIONS DETAILS DEPICTED IN THIS PRODUCT APPROVAL DOCUMENT USE WOOD SCREWS EMBEDDED INTO SUPPORTING SUBSTRATE THAT IS EITHER 2X WOOD FRAMING OR 2X WOOD BUCKING STRUCTURALLY ATTACHED TO CONCRETE/MASONRY SUBSTRATE. WHERE INSTALLATION ANCHORS ARE EMBEDDED INTO CONCRETE/MASONRY EITHER WITH/WITHOUT 1X WOOD BUCKING, CONCRETE SCREWS SHALL BE USED. THE FOLLOWING TYPES OF INSTALLATION FASTENERS SHALL BE EMPLOYED BASED ON THE SUPPORTING SUBSTRATE AS FOLLOWS.
 - 2X WOOD FRAMING OR BUCKING AT HEAD, SILLS OR JAMBS
 - INSTALLATION DETAILS SHOWN ON SHEETS 3 THROUGH 8 DEPICT INSTALLATION REQUIREMENTS USING NO. 12 WOOD SCREWS.
 - SEE NOTE 3 BELOW FOR SCREWS SPECIFICATIONS, MINIMUM EMBEDMENT, SPACING AND EDGE DISTANCES.
 - CONCRETE OR MASONRY AT HEAD, SILLS OR JAMBS (OPTIONAL 1X WOOD BUCK ALLOWED)
 - 1/4" DIAMETER ELCO ULTRACON CONCRETE SCREWS SHALL BE USED IN LIEU OF NO. 12 WOOD SCREWS IN ALL LOCATIONS WHERE SUPPORTING SUBSTRATE IS CONCRETE OR MASONRY EXCEPT AS NOTED IN NOTE 2.2.2 BELOW.
 - 3/16" DIAMETER ELCO ULTRACON CONCRETE SCREWS SHALL BE USED IN LIEU OF NO. 12 WOOD SCREWS IN ALL LOCATIONS WHERE SUPPORTING SUBSTRATE IS CONCRETE IN THE FOLLOWING INSTANCES.
 - DETAIL 2, SHEET 5 - BOTTOM STRIKE PLATE.
 - DETAIL 3, SHEET 5 - THRESHOLD SECTION.
- INSTALLATION SCREW (ANCHORAGE) SPECIFICATION
 - NO. 12 WOOD SCREWS AT THE LENGTHS SHOWN IN THE INSTALLATION DETAILS.
 - WOOD SCREWS SHALL MEET ANSI B18.6.1 AND BE A MINIMUM GRADE 2 STRENGTH
 - MINIMUM EMBEDMENT IS 1-1/2". WOOD SCREW LENGTHS CAN BE VARIED IF NEEDED AS LONG AS MINIMUM EMBEDMENT IS MAINTAINED. THIS REQUIREMENT APPLICABLE TO SUBSTRATE EMBEDDED SCREWS ONLY.
 - MINIMUM EDGE DISTANCE AND SPACING BETWEEN SCREW IS 7/8".
 - 1/4" DIAMETER ELCO ULTRACON CONCRETE SCREWS
 - MINIMUM EMBEDMENT IS 1-3/4" IN CONCRETE AND 1-1/4" IN MASONRY (CMU).
 - MINIMUM EDGE DISTANCE IS 2-1/2".
 - MINIMUM SPACING BETWEEN SCREWS IS 1-1/2".
 - 3/16" DIAMETER ELCO ULTRACON CONCRETE SCREWS
 - MINIMUM EMBEDMENT IS 1-3/4" IN CONCRETE AND 1-1/4" IN MASONRY (CMU).
 - MINIMUM EDGE DISTANCE IS 2-1/2".
 - MINIMUM SPACING BETWEEN SCREWS IS 1-1/8".
- THE NUMBER OF INSTALLATION ANCHORS DEPICTED IS THE MINIMUM NUMBER OF ANCHORS TO BE USED FOR PRODUCT INSTALLATION AT THE MAXIMUM SIZE SHOWN. SMALLER PRODUCT SIZES CAN HAVE LESS ANCHORS AS LONG AS THE EDGE DISTANCE AND ON CENTER (O.C.) SPACING ARE THE SAME AS OR LESS THAN THAT SHOWN. INSTALLATION ANCHORS AT THE STRIKE PLATES AND HINGES SHALL REMAIN THE SAME.
- SHIM AS REQUIRED AT EACH INSTALLATION ANCHOR WITH LOAD BEARING SHIM(S). MAXIMUM ALLOWABLE SHIM SIZE IS 1/4 INCH. SHIM WHERE SPACE OF 1/16 INCH OR GREATER OCCURS. SHIM(S) SHALL BE CONSTRUCTED OF HIGH DENSITY PLASTIC OR BETTER. SHIMS MAY NOT BE SHOWN IN THE SECTION VIEWS OF THIS DRAWING FOR CLARITY
- MINIMUM EMBEDMENT AND EDGE DISTANCE EXCLUDE WALL FINISHES (INCLUDING BUT NOT LIMITED TO STUCCO, FOAM, BRICK VENEER AND SIDING).

PERFORMANCE RATING			
DESIGN PRESSURE RATING (PSF)		WATER PENETRATION RATING	IMPACT RATING
MAXIMUM UNIT DIMENSIONS AND GLAZING	UP TO O.A. SIZE SHOWN ON ELEVATION VIEW		
96-1/4" X 136-3/8" MAXIMUM FRAME SIZE OXO INSWING WITH TRANSOM	±50.0	NONE (1)	MISSILE LEVEL D WIND ZONE 4
NOTE 1: PRODUCT NOT TESTED FOR WATER PENETRATION RESISTANCE. THEREFORE THE PRODUCT MUST BE USED WHERE WATER PENETRATION IS NOT REQUIRED OR WHERE AN OVERHANG MEETING THE REQUIREMENTS OF THE CURRENT EDITION FBC/FRC HAS BEEN EMPLOYED.			

PROJECT #420-0601

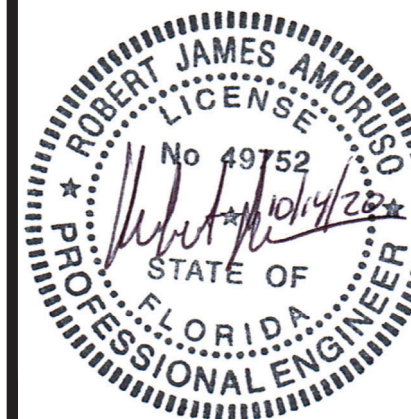
DSA Master Crafted Doors
10681 World Trade Blvd
Raleigh, NC 27617

TITLE: Full View Door with Full View Sidelites and Transom
NOTES - GENERAL & INSTALLATION

DATE: 2/8/17
DRAWING NO: DSA0004
SHEET: 1 OF 8
DRAWN BY: RJA
SCALE: N.T.S.
REV: A



Robert J. Amoroso, P.E.
Florida P.E. No. 49752

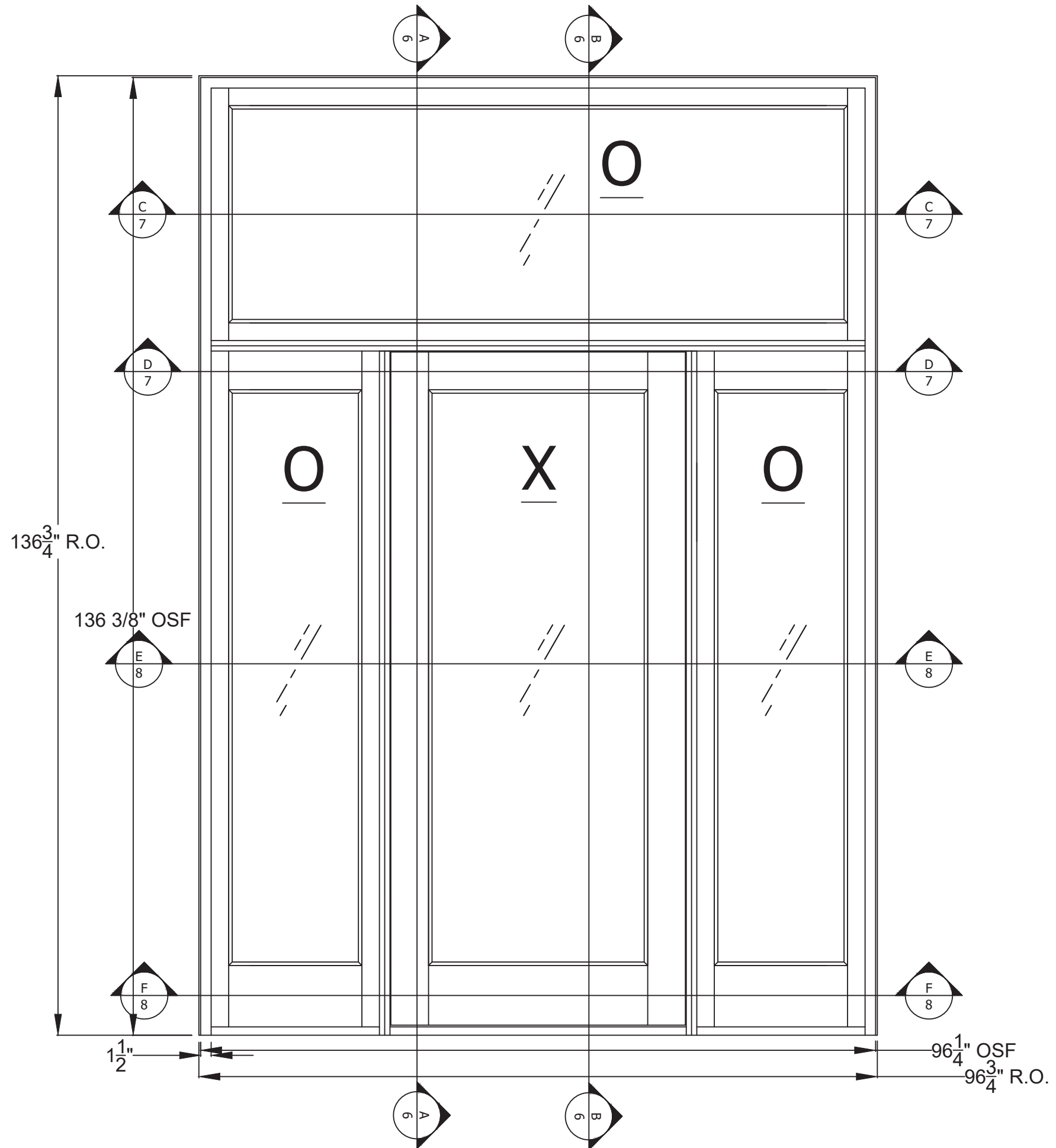


ELEVATION

EXTERIOR

PRODUCT LIMITATIONS:

1. MAXIMUM OVERALL (O.A.) FRAME SIZE
 - 1.1. 96-1.4" X 136-3/8"
2. MAXIMUM PANEL SIZE
 - 2.1. 42" X 96"
3. MINIMUM PANEL THICKNESS
 - 3.1. 2-1/4" (NOMINAL)
4. MAXIMUM DAYLIGHT OPENING (D.L.O.) TDL
 - 4.1. DOOR PANEL: 30" X 80-7/8"
 - 4.2. SIDELITES: 17-3/4" X 80-7/8"
 - 4.3. TRANSOM: 29-1/4" X 86-1/2"



PROJECT #420-0601

DSA Master Crafted Doors
10681 World Trade Blvd
Raleigh, NC 27617

TITLE: Full View Door with Full View Sidelites and Transom
ELEVATION

PREPARED BY:

DRAWN BY: RJA

SCALE: N.T.S.

REV: A

DATE: 2/8/17

DRAWING NO: DSA0004

SHEET: 2 OF 8

REV

DESCRIPTION

DATE

BY

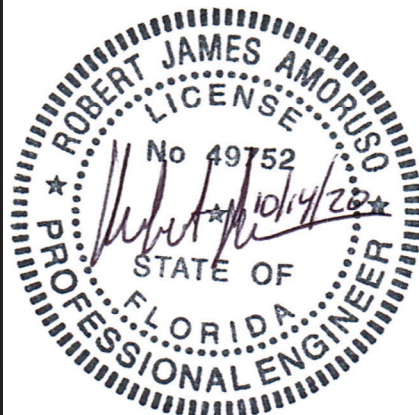
A

UPDATED TO CURRENT FBC

RJA

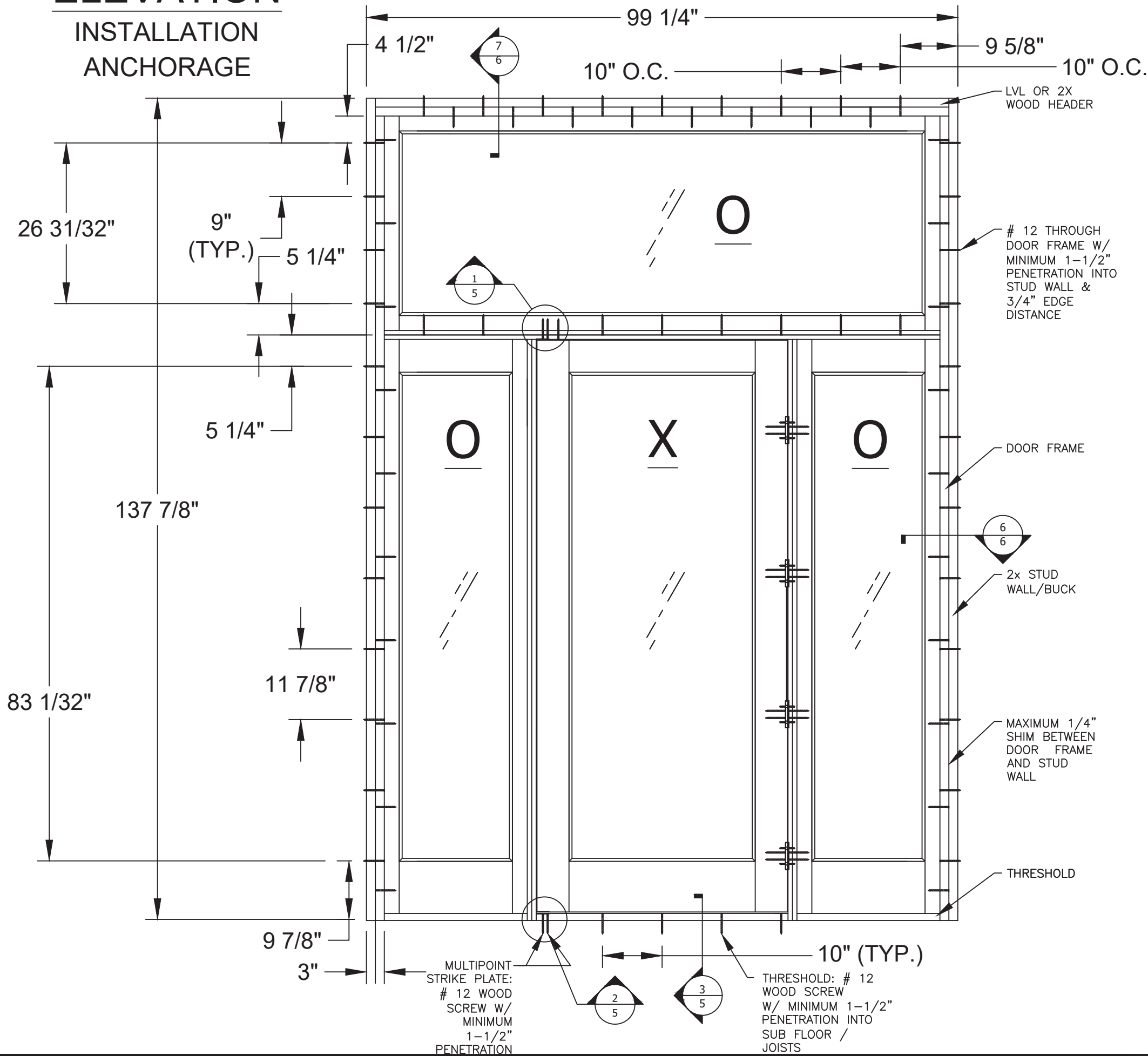
10/14/20

Robert J. Amoruso, P.E.
Florida P.E. No. 49752



ELEVATION

INSTALLATION ANCHORAGE



ANCHOR NOTES

ANCHOR QUANTITIES AND SPACING SHOWN BASED ON 2X WOOD SUBSTRATE. FOR CONCRETE/MASONRY SUBSTRATE, ANCHORAGE IS INCREASED AS FOLLOWS:

1. JAMBS
 - 1.1. TRANSOM
 - 1.1.1. QUANTITY = 5
 - 1.1.2. SPACING = 6-1/2"
 - 1.1.3. EDGE DISTANCE FROM TRANSOM HEAD = 4-1/2"
 - 1.1.4. EDGE DISTANCE FROM TRANSOM SILL = 5-1/4"
 - 1.2. DOOR/SIDELITE
 - 1.2.1. QUANTITY = 13
 - 1.2.2. SPACING = 7"
 - 1.2.3. EDGE DISTANCE FROM DOOR/SIDELITE HEAD = 5-1/4"
 - 1.2.4. EDGE DISTANCE FROM DOOR/SIDELITE SILL = 9-7/8"
2. HEAD
 - 2.1. NO CHANGES FROM THAT SHOWN.
3. SILL
 - 3.1. NO CHANGES FROM THAT SHOWN.

PROJECT #420-0601			
		10/14/20	RJA
		DATE	BY
	A	DESCRIPTION	REV
		UPDATED TO CURRENT FBC	

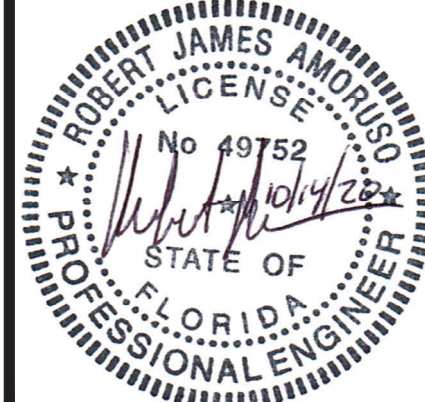
DSA Master Crafted Doors
 10681 World Trade Blvd
 Raleigh, NC 27617

TITLE: Full View Door with Full View Sidelites and Transom
 ELEVATION - ANCHOR LAYOUT

DRAWN BY:	RJA	DATE:	2/8/17
SCALE:	N.T.S.	DRAWING NO.:	DSA0004
REV:	A	SHEET:	3 OF 8

PTC PRODUCT DESIGN GROUP, LLC
 10000 BOYD AVE., SUITE 100
 LONGWOOD, FLORIDA 32752
 FBPE C.A. NO. 25935
 Phone: 321.690.1788
 Fax: 321.690.1789
 Email: info@ptc-corp.com

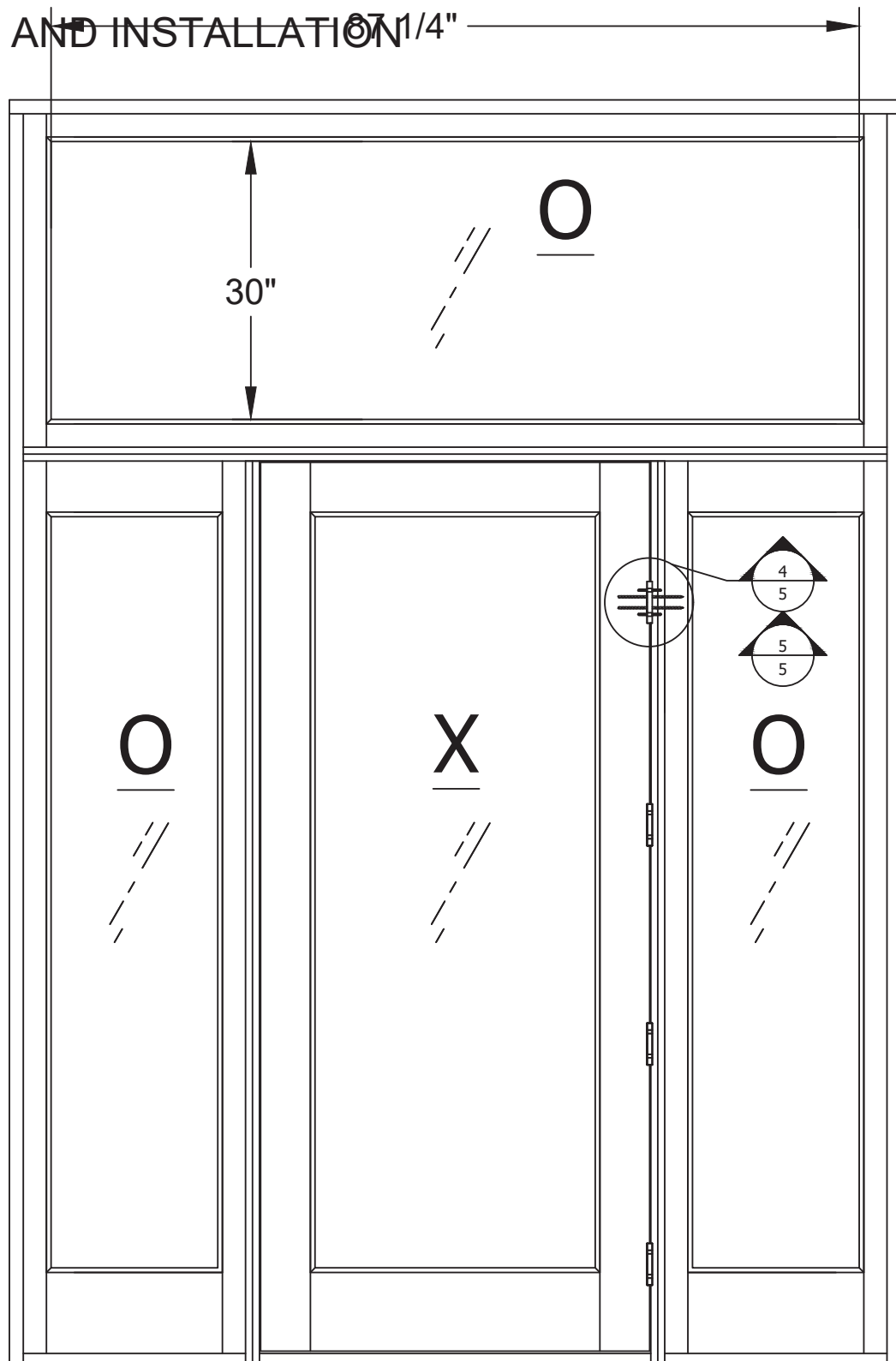
Robert J. Amoruso, P.E.
Florida P.E. No. 49752



ELEVATION

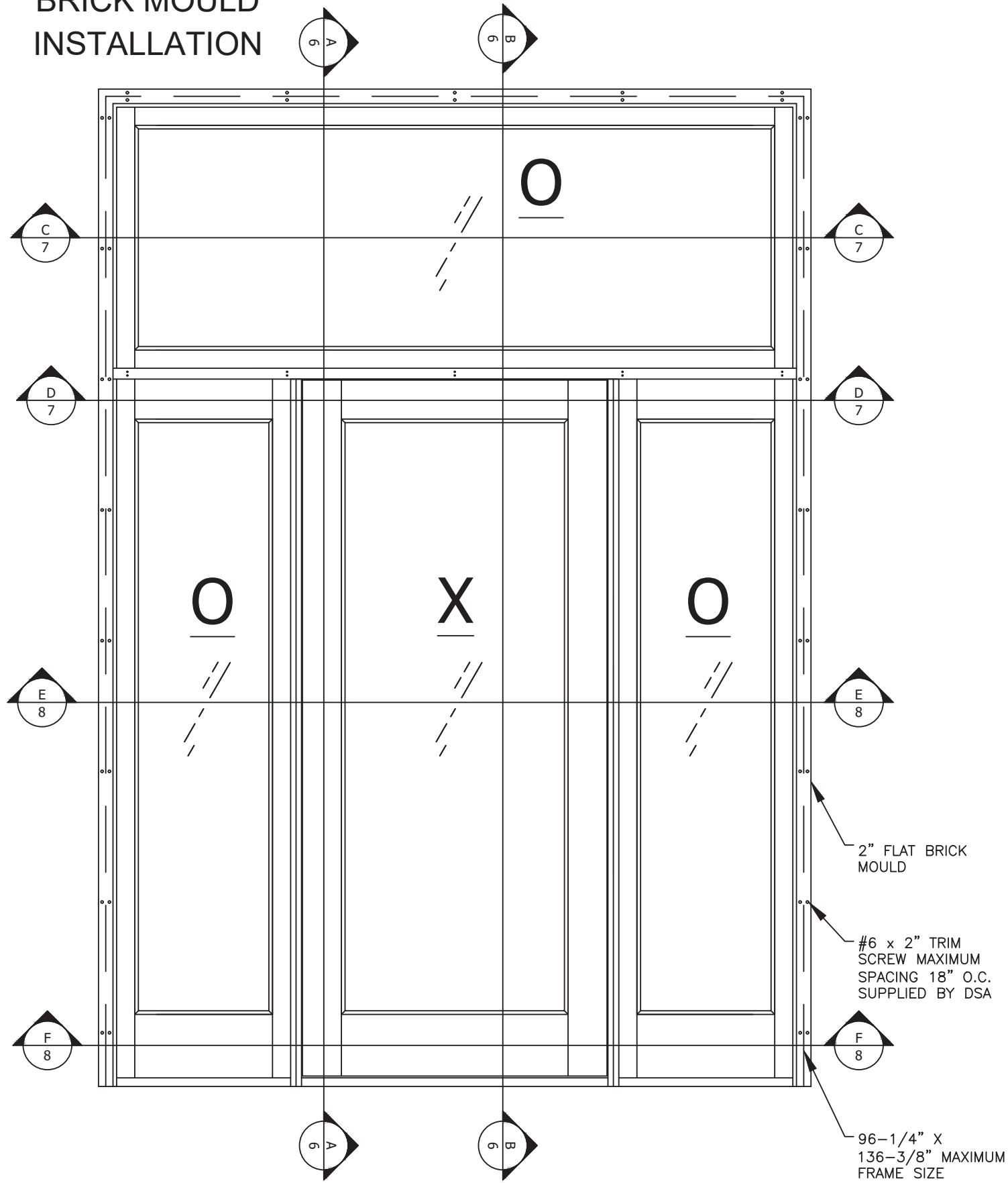
HINGE LOCATION

AND INSTALLATION



ELEVATION

BRICK MOULD
INSTALLATION

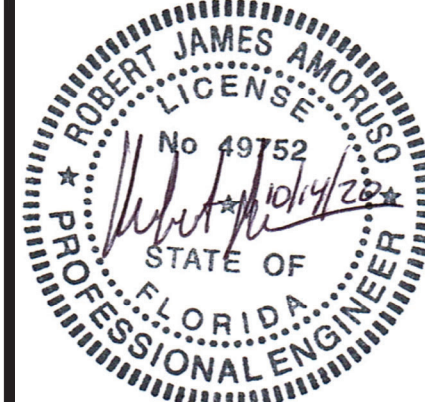


PROJECT #420-0601

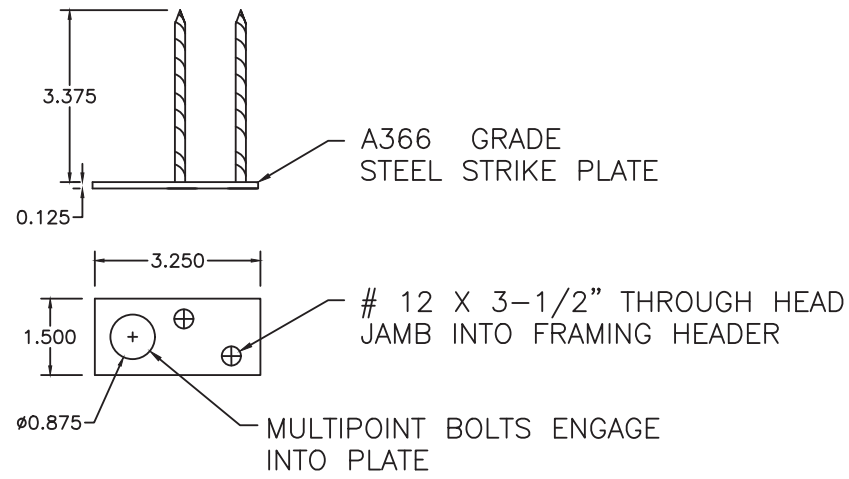
DSA Master Crafted Doors
10681 World Trade Blvd
Raleigh, NC 27617

TITLE:	Full View Door with Full View Sidelites and Transom ELEVATIONS - HINGES & BRICK MOULD	DATE:	2/8/17
PREPARED BY:	RJA	DRAWING NO.:	DSA0004
SCALE:	N.T.S.	REV:	A
DATE:	10/14/20	DESCRIPTION:	UPDATED TO CURRENT FBC
BY:	RJA	REV:	A
DATE:	10/14/20	DESCRIPTION:	DATE
BY:	RJA	REV:	DATE

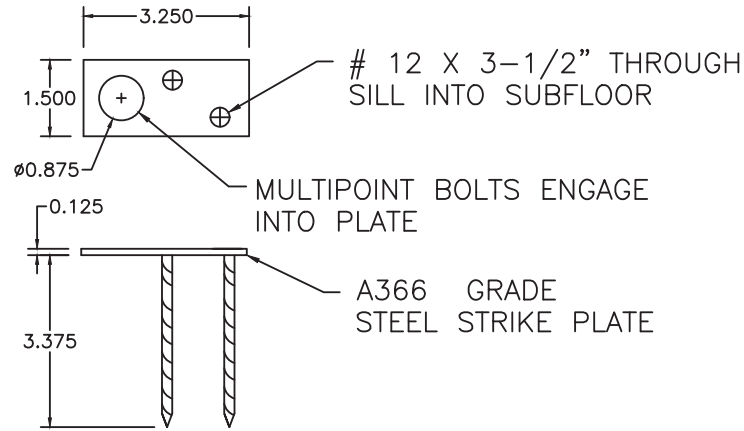
Robert J. Amoruso, P.E.
Florida P.E. No. 49752



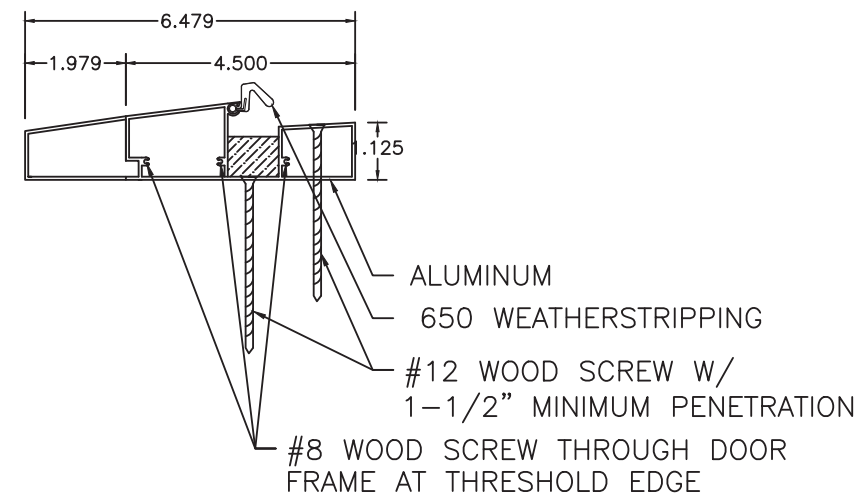
DETAILS



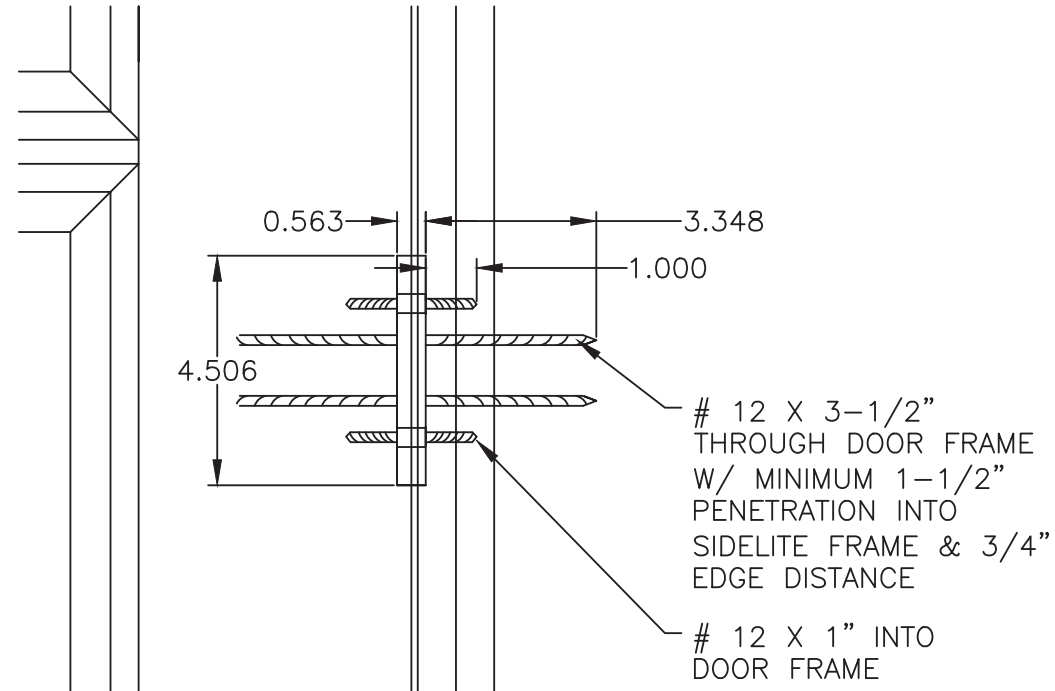
1 TOP STRIKE PLATE



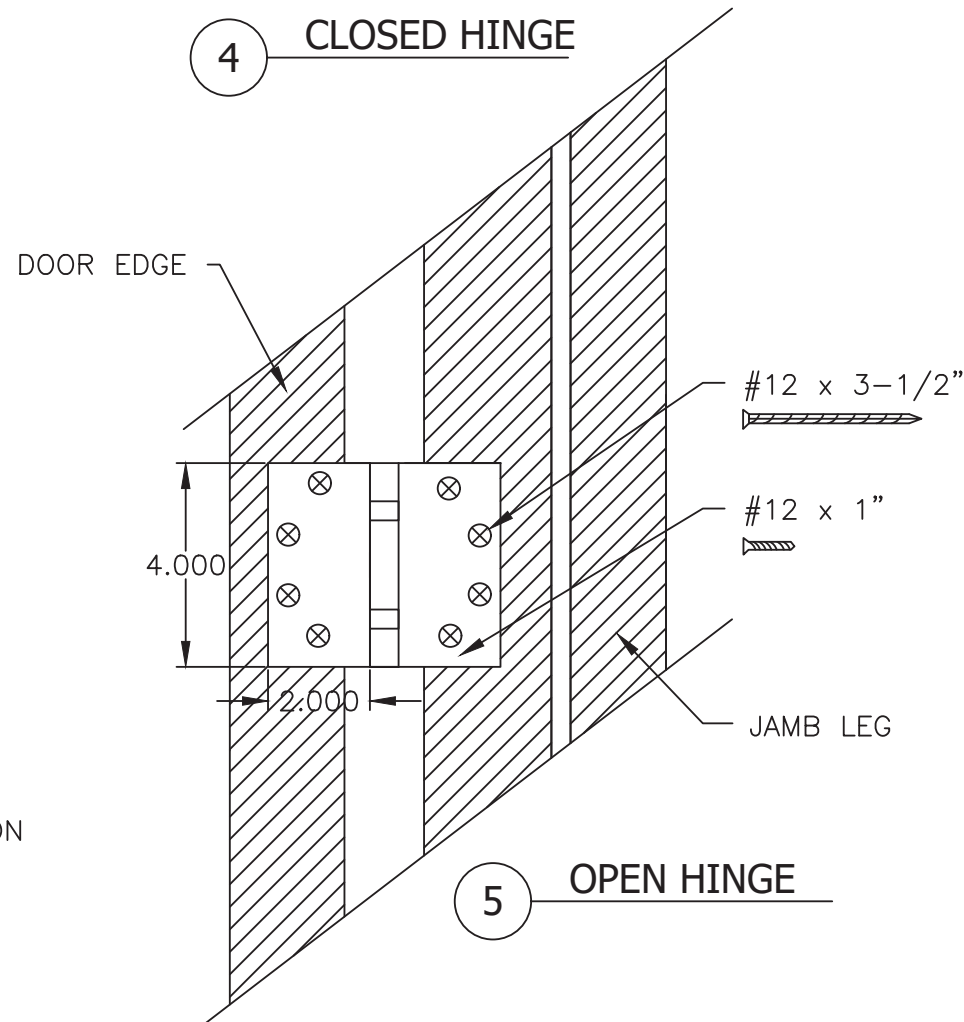
2 BOTTOM STRIKE PLATE



3 THRESHOLD SECTION



4 CLOSED HINGE



5 OPEN HINGE

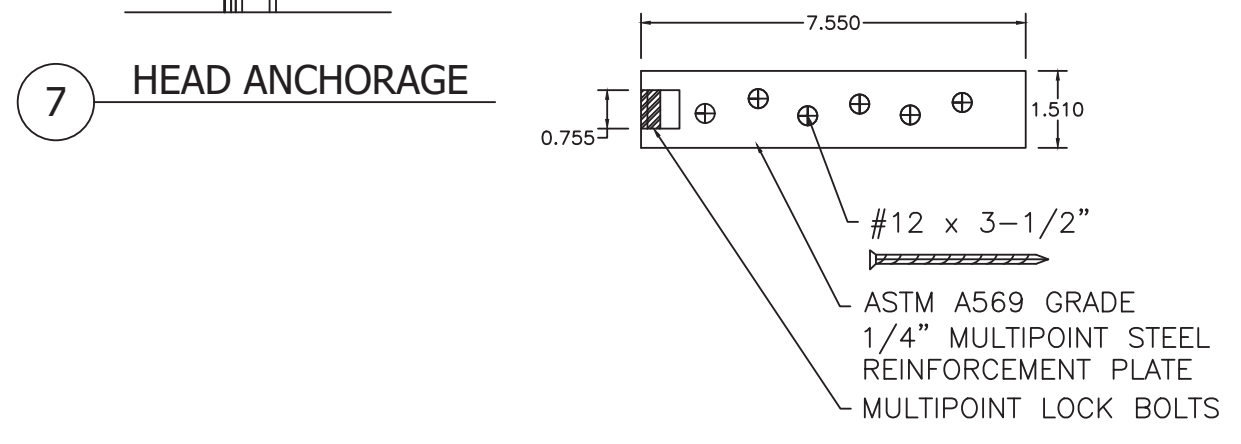
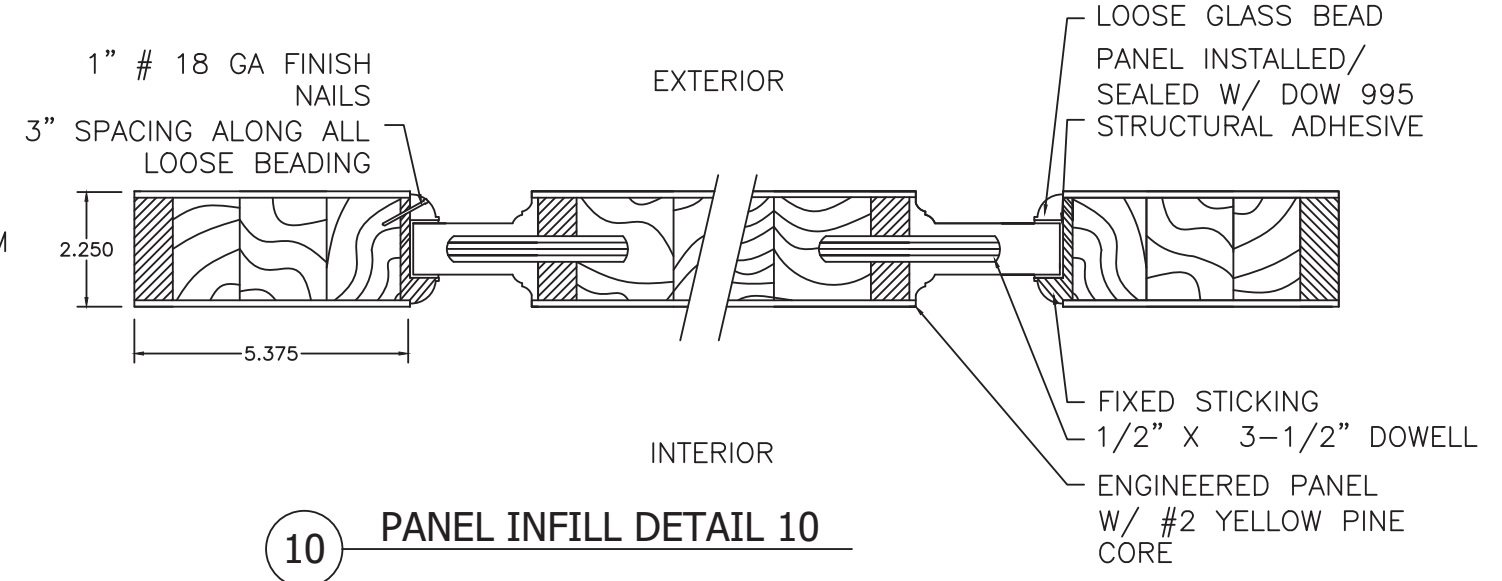
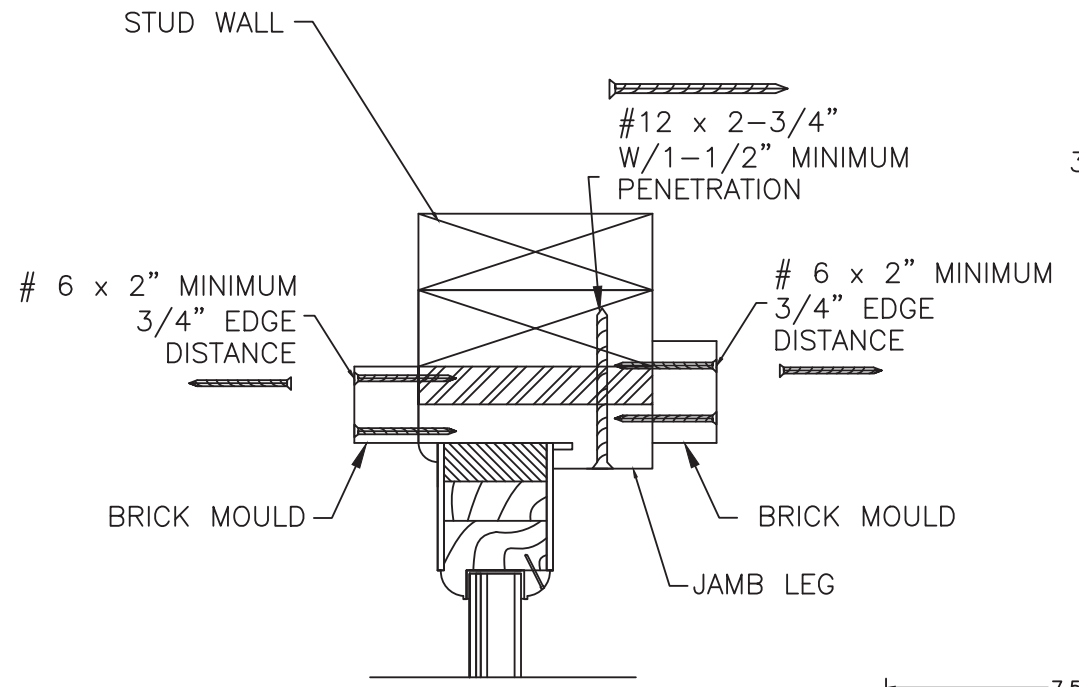
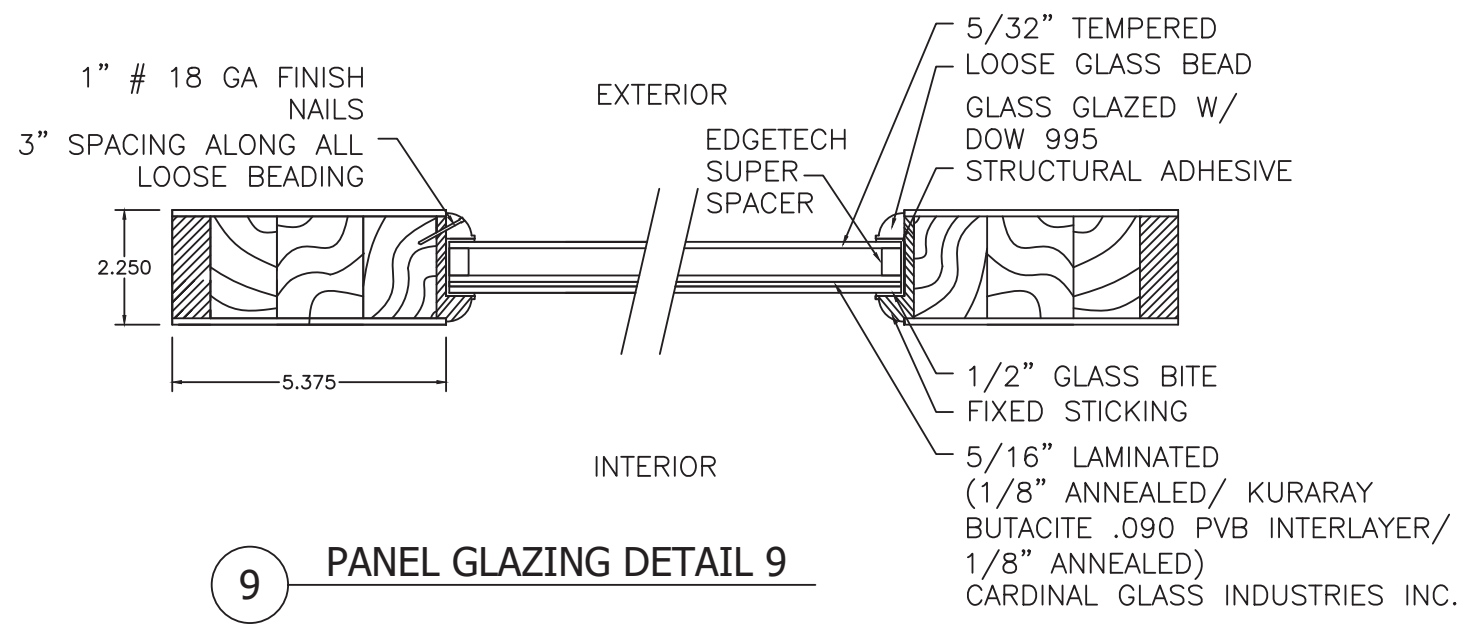
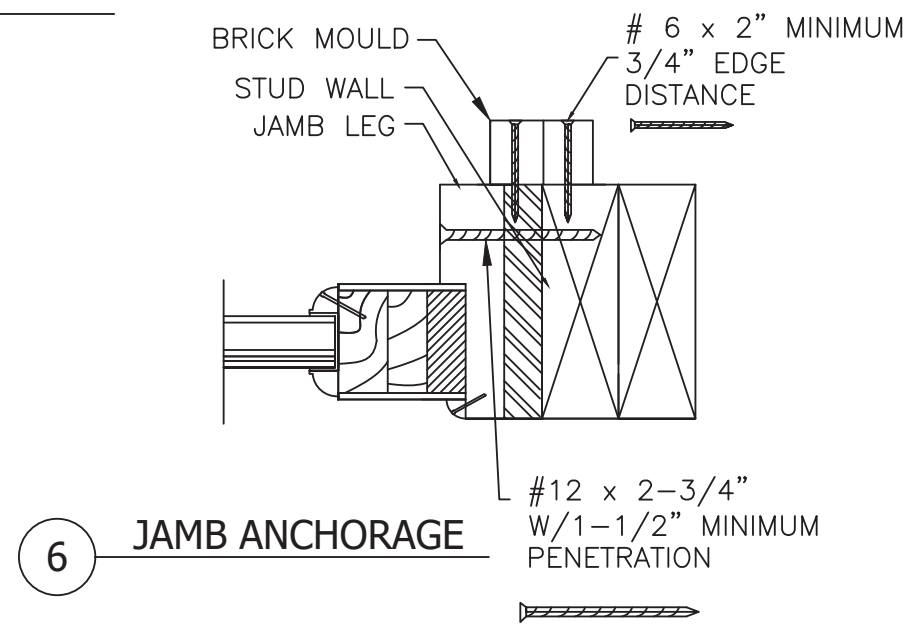
PROJECT #420-0601					

DSA Master Crafted Doors 10681 World Trade Blvd Raleigh, NC 27617	TITLE: Full View Door with Full View Sidelites and Transom DETAILS 1 THRU 5	DATE: 2/8/17	DRAWING NO: DSA0004	
		DRAWN BY: RJA SCALE: N.T.S. REV: A	SHEET: 5 OF 8	UPDATED TO CURRENT FBC 10/14/20 RJA DATE BY



Robert J. Amoruso, P.E.
Florida P.E. No. 49752

DETAILS



PROJECT #420-0601

DATE	10/14/20	BY	RJA
DESCRIPTION	UPDATED TO CURRENT FBC	REV	A

DATE: 2/8/17
DRAWING NO: DSA0004
SHEET: 6 OF 8

DRAWN BY: RJA
SCALE: N.T.S.
REV: A

DSA Master Crafted Doors
10681 World Trade Blvd
Raleigh, NC 27617

TITLE: Full View Door with Full View Sidelites and Transom
DETAILS 6 & 7 / GLASS DETAIL - DLO

PREPARED BY: PTC

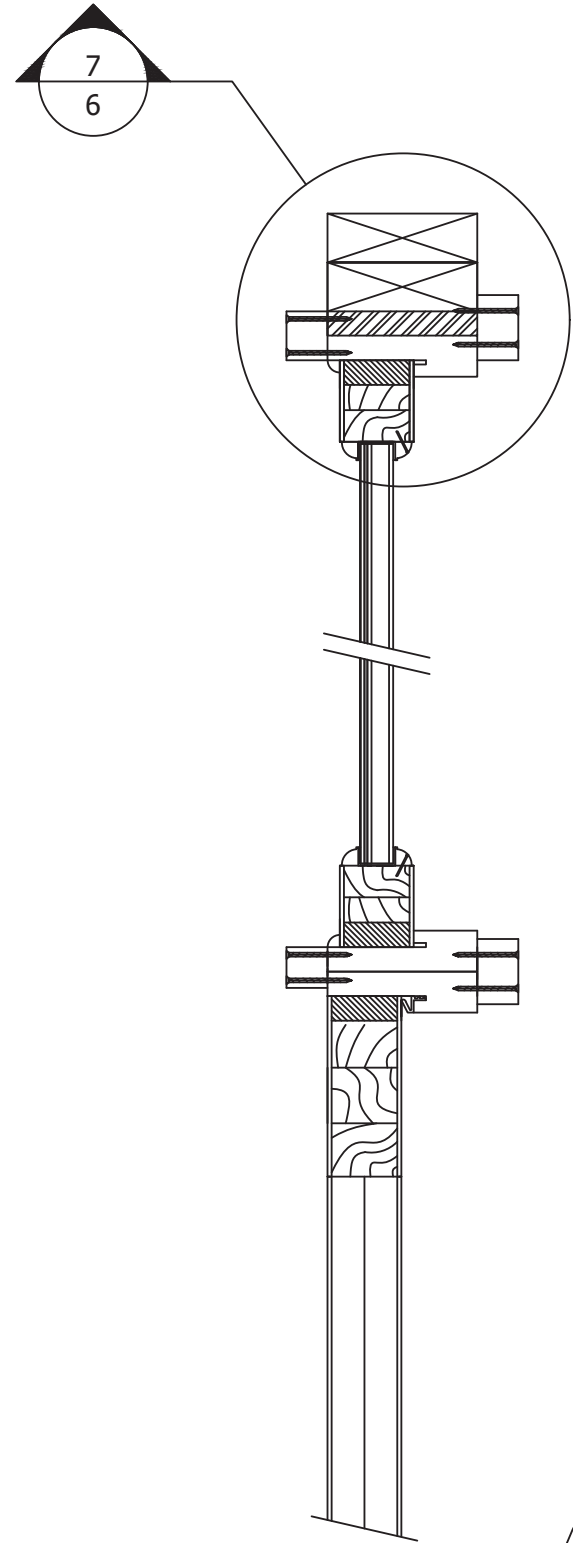
PTC PRODUCT DESIGN GROUP, LLC
13505 WOODBRIDGE BLVD
LONGWOOD, FLORIDA 32752
PHONE: 321.690.1788
FAX: 321.690.1789
EMAIL: info@ptc-corp.com

Robert J. Amoruso, P.E.
Florida P.E. No. 49752

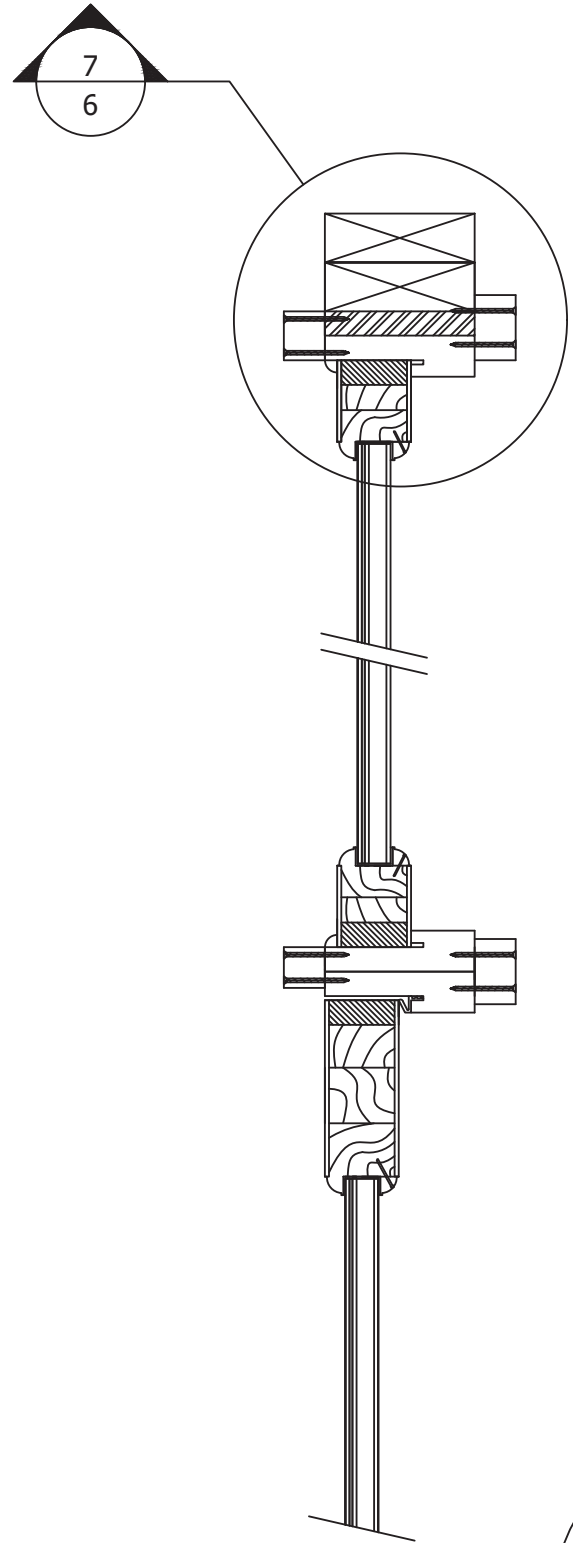
PROFESSIONAL ENGINEER
STATE OF FLORIDA
LICENSE No. 49752
10/14/20

SECTIONS

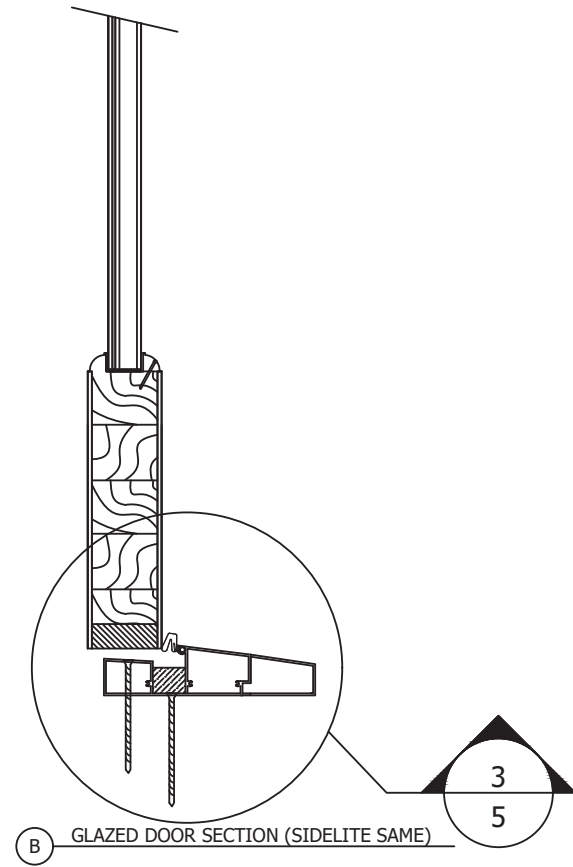
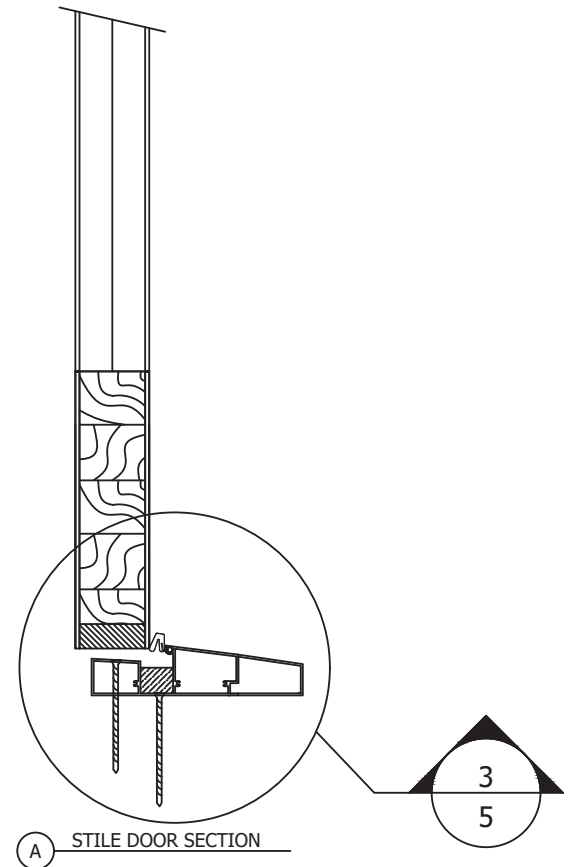
DOOR VERTICAL VIEWS



A STILE DOOR SECTION



B GLAZED DOOR SECTION (SIDELITE SAME)



PROJECT #420-0601

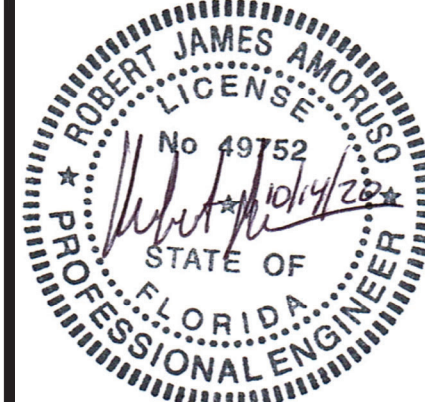
DSA Master Crafted Doors
10681 World Trade Blvd
Raleigh, NC 27617

TITLE: Full View Door with Full View Sidelites and Transom
DOOR SECTIONS - VERTICAL

PREPARED BY:	DATE:	2/8/17
DRAWN BY: RJA	DRAWING NO:	DSA0004
SCALE: N.T.S.	REV:	A
PTC PRODUCT DESIGN GROUP, LLC LONGWOOD, FLORIDA 32752 FBPE C.A. NO. 25935	PHONE: 321.690.1788 FAX: 321.690.1789 EMAIL: info@ptc-corp.com	SHEET: 7 OF 8

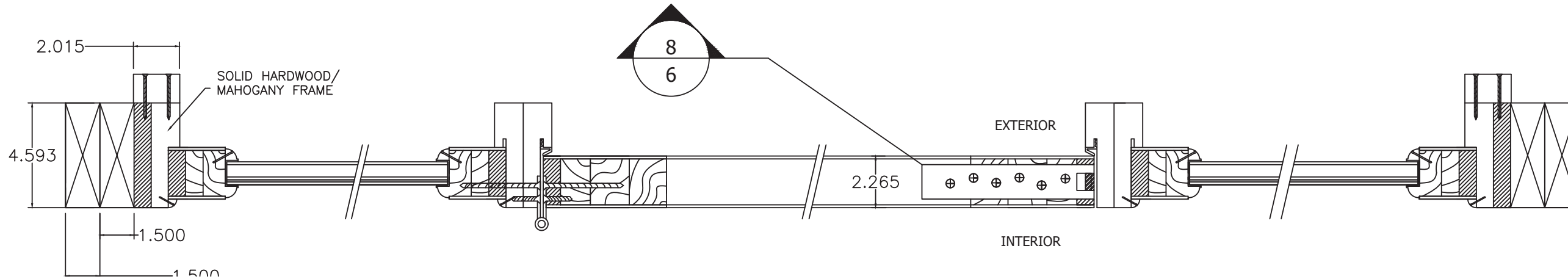
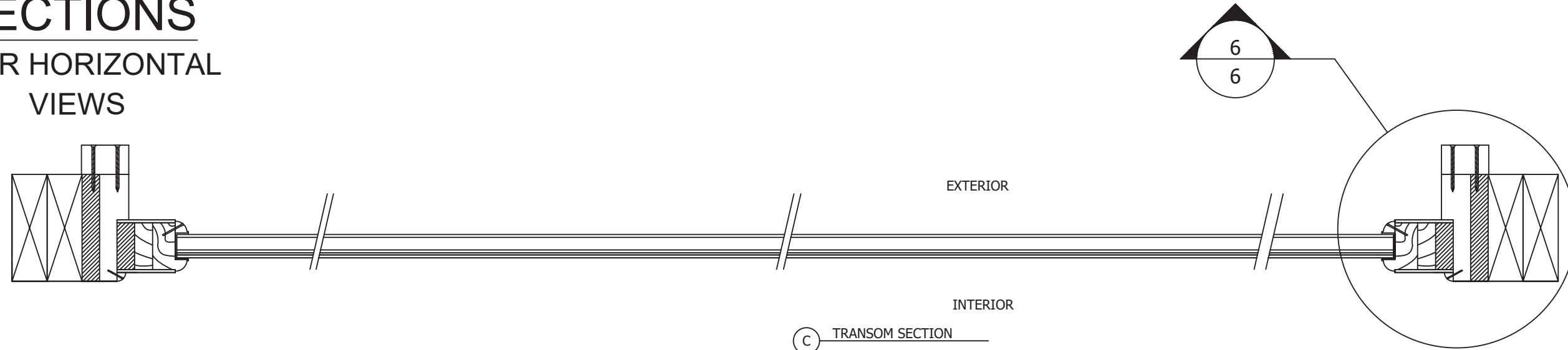
REV	DESCRIPTION	DATE	BY
A	UPDATED TO CURRENT FBC	10/14/20	RJA

Robert J. Amoruso, P.E.
Florida P.E. No. 49752



SECTIONS

DOOR HORIZONTAL VIEWS



PROJECT #420-0601

A	UPDATED TO CURRENT FBC	10/14/20	RJA
REV	DESCRIPTION	DATE	BY

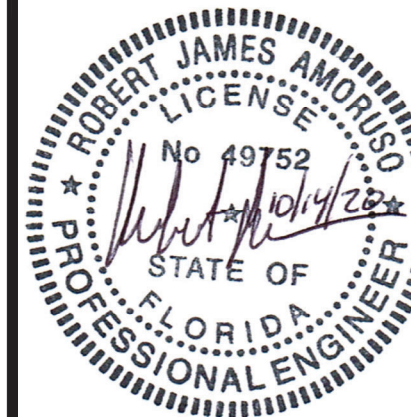
DSA Master Crafted Doors
10681 World Trade Blvd
Raleigh, NC 27617

TITLE: Full View Door with Full View Sidelites and Transom
DOOR SECTIONS - HORIZONTAL

DATE:	2/8/17
DRAWING NO.:	DSA0004
DRAWN BY:	RJA
SCALE:	N.T.S.
REV:	A
SHEET:	8 OF 8

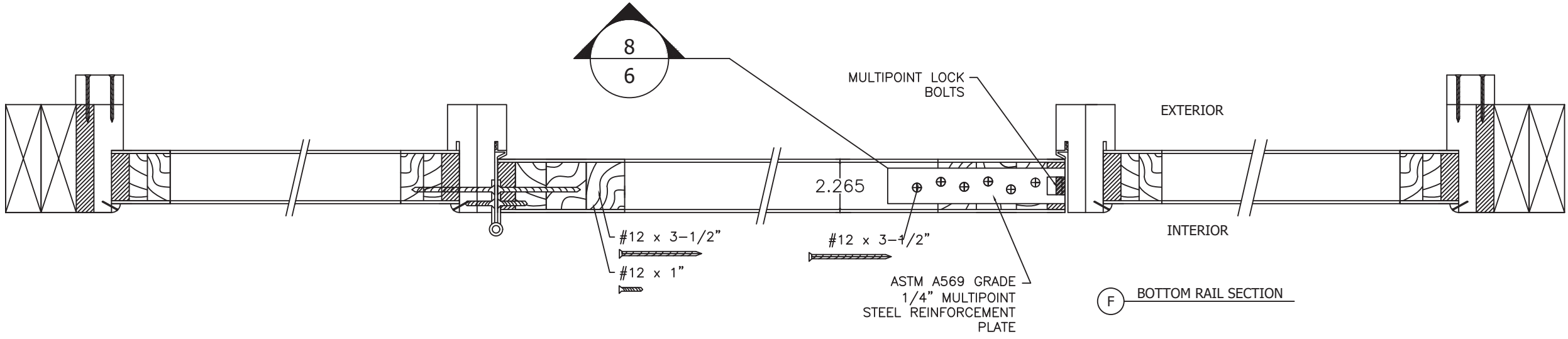
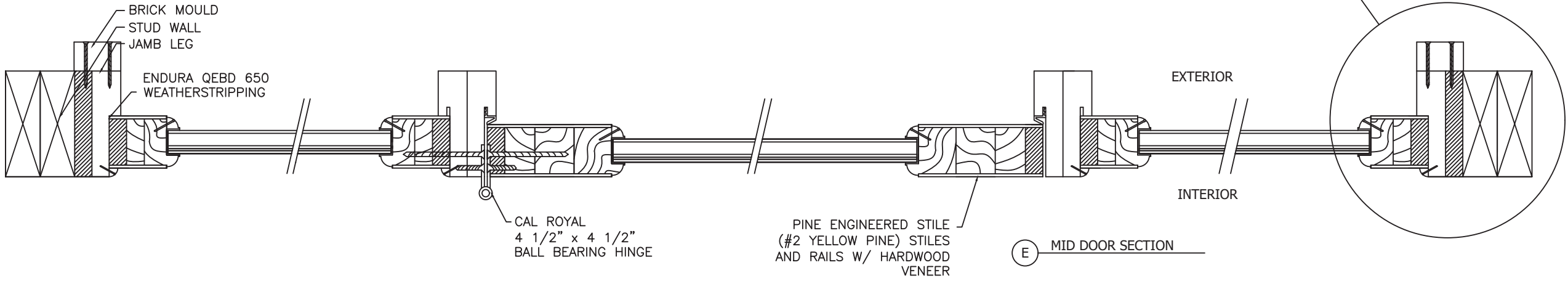


Robert J. Amoruso, P.E.
Florida P.E. No. 49752



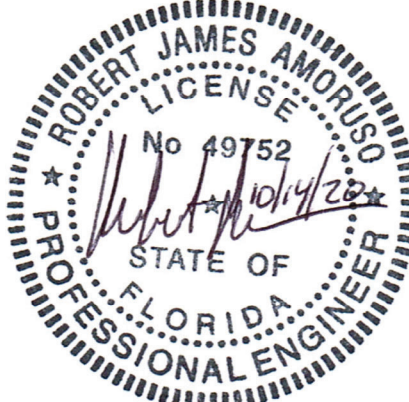
SECTIONS

DOOR HORIZONTAL VIEWS



PROJECT #420-0601			DATE	2/8/17	DRAWING NO.	DSA0004	DESCRIPTION	DATE	BY
			SCALE	N.T.S.	REV.	A	9 OF 8		
DSA Master Crafted Doors 10681 World Trade Blvd Raleigh, NC 27617			DRAWN BY:	RJA	PREPARED BY:				
Full View Door with Full View Sidelites and Transom									
DOOR SECTIONS - HORIZONTAL									
TITLE:									
PTC PRODUCT DESIGN GROUP, LLC			Phone: 321.690.1788 Fax: 321.690.1789 LONGWOOD, FLORIDA 32752 FBPE C.A. NO. 25935 Email: info@ptc-corp.com						

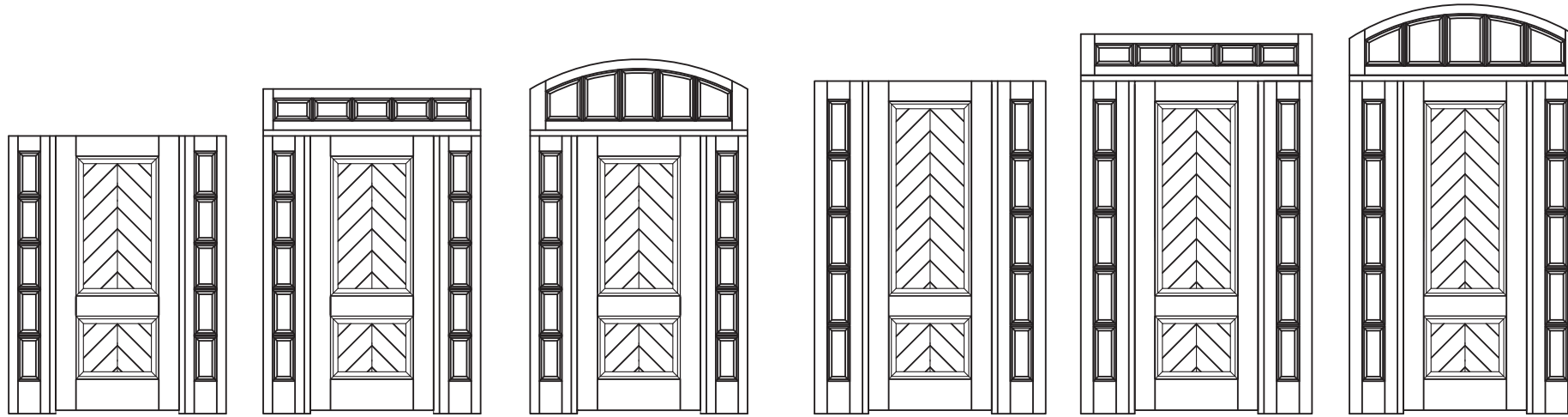
Robert J. Amoruso, P.E.
Florida P.E. No. 49752



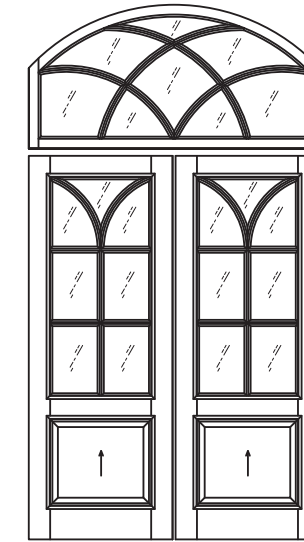
APPROVED CONFIGURATIONS

MAXIMUM FRAME, DOOR PANEL AND D.L.O. SIZES SHOWN ON SHEET 2 MUST BE MET.

MANCHESTER COLLECTION



RENAISSANCE COLLECTION



TRINITY COLLECTION



TIFFANY COLLECTION



WAKEFIELD COLLECTION



PROJECT #420-0601

DSA Master Crafted Doors
10681 World Trade Blvd
Raleigh, NC 27617

TITLE: Full View Door with Full View Sidelites and Transom
APPROVED CONFIGURATIONS

PREPARED BY:

DRAWN BY: RJA

DATE: 2/8/17

PTC PRODUCT DESIGN GROUP, LLC
LONGWOOD, FLORIDA 32752
FBPE C.A. NO. 29935
Phone: 321.690.1788
Fax: 321.690.1789
Email: info@ptc-corp.com

SCALE: N.T.S.

REV: A

DRAWING NO: DSA0004

SHEET: 10 OF 8

REV DESCRIPTION

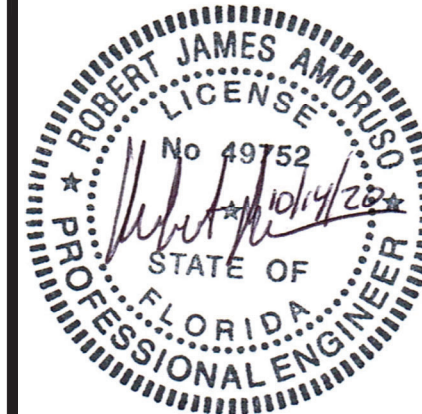
A UPDATED TO CURRENT FBC

DATE

BY: RJA

10/14/20

Robert J. Amoruso, P.E.
Florida P.E. No. 49752



APPROVED CONFIGURATIONS

MAXIMUM FRAME, DOOR PANEL AND D.L.O. SIZES SHOWN ON SHEET 2 MUST BE MET.

TUSCANY COLLECTION



CLIFFS REDWOOD COLLECTION



PROJECT #420-0601

REV	DESCRIPTION	DATE	BY
A	UPDATED TO CURRENT FBC	10/14/20	RJA

DSA Master Crafted Doors
10681 World Trade Blvd
Raleigh, NC 27617

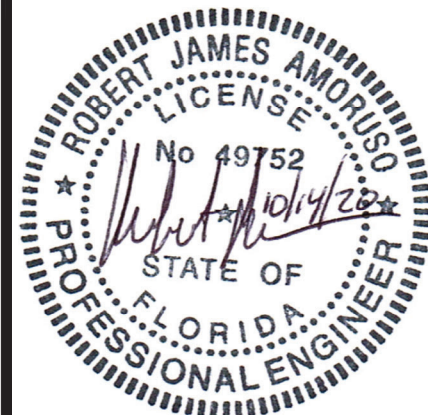
TITLE: Full View Door with Full View Sidelites and Transom
APPROVED CONFIGURATIONS

PREPARED BY:	RJA	DATE:	2/8/17
SCALE:	N.T.S.	DRAWING NO.:	DSA0004
REV:	A	SHEET:	11 OF 8



PTC PRODUCT DESIGN GROUP, LLC
10000 W. UNIVERSITY BLVD
LONGWOOD, FLORIDA 32752
PHONE: 321.690.1788
FAX: 321.690.1789
EMAIL: info@ptc-corp.com

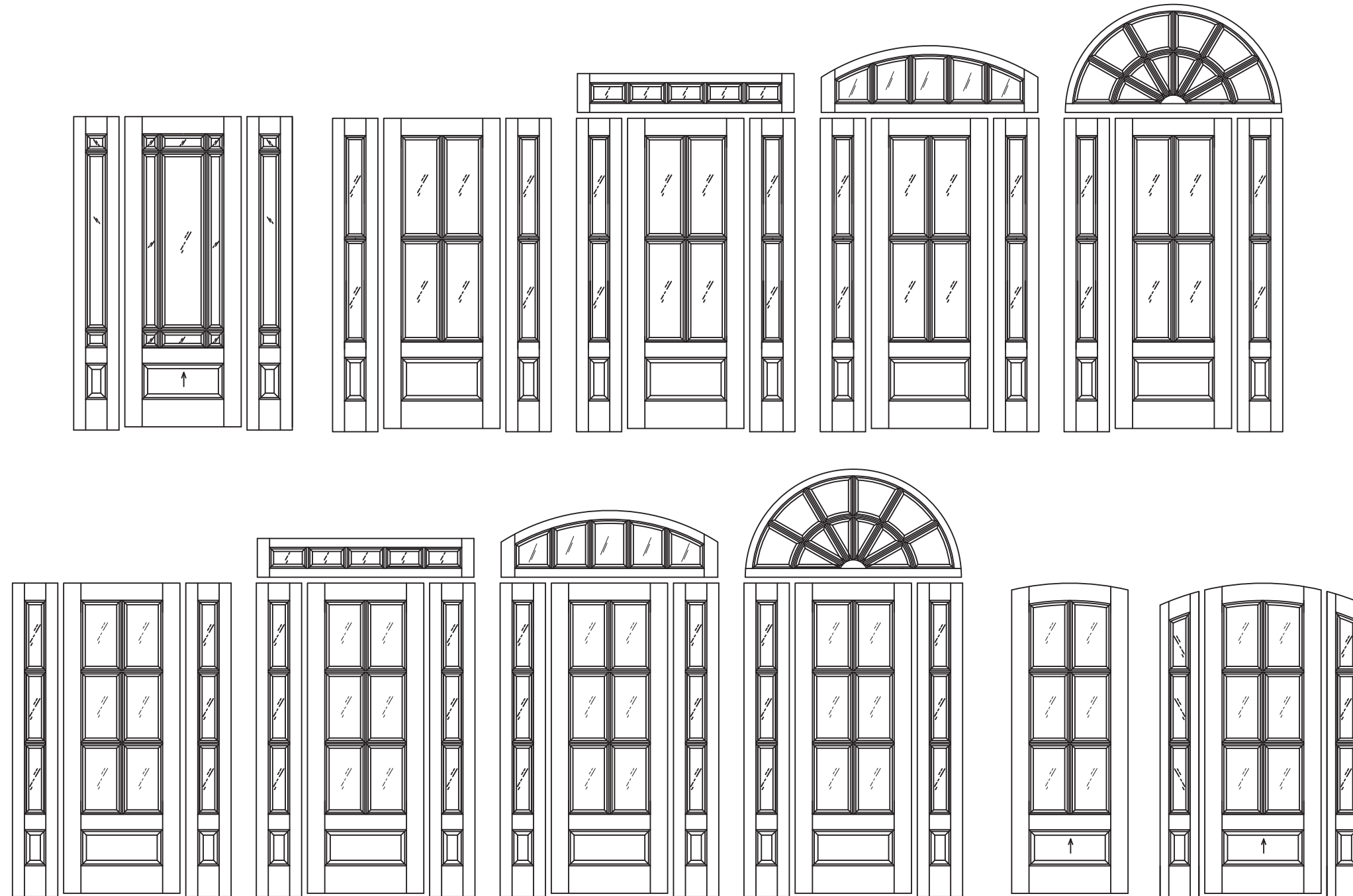
Robert J. Amoruso, P.E.
Florida P.E. No. 49752



APPROVED CONFIGURATIONS

MAXIMUM FRAME, DOOR PANEL AND D.L.O. SIZES SHOWN ON SHEET 2 MUST BE MET.

ALEXANDRIA COLLECTION



PROJECT #420-0601

REV	DESCRIPTION	DATE	BY
A	UPDATED TO CURRENT FBC	10/14/20	RJA

DSA Master Crafted Doors
10681 World Trade Blvd
Raleigh, NC 27617

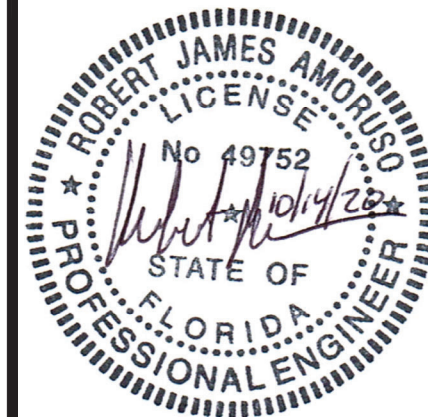
TITLE: Full View Door with Full View Sidelites and Transom
APPROVED CONFIGURATIONS

PREPARED BY:	DATE:	2/8/17
DRAWN BY: RJA	DRAWING NO: DSA0004	
SCALE: N.T.S.	REV: A	SHEET: 12 OF 8



PTC PRODUCT DESIGN GROUP, LLC
10000 WOODBRIDGE BLVD
LONGWOOD, FLORIDA 32752
PHONE: 321.690.1788
FAX: 321.690.1789
EMAIL: info@ptc-corp.com

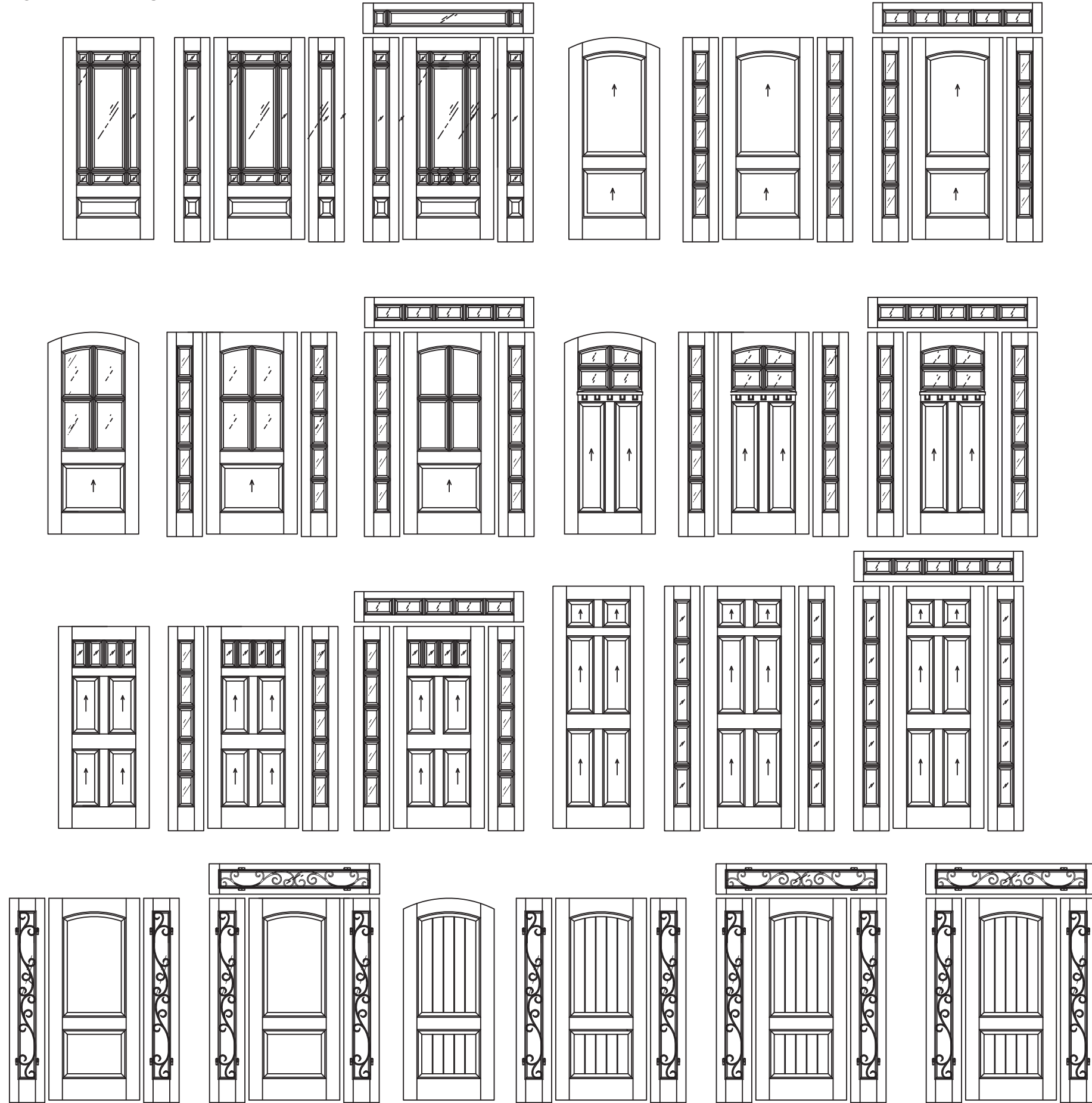
Robert J. Amoruso, P.E.
Florida P.E. No. 49752



APPROVED CONFIGURATIONS

BUILDER COLLECTION

MAXIMUM FRAME, DOOR PANEL AND D.L.O. SIZES SHOWN ON SHEET 2 MUST BE MET.



PROJECT #420-0601

DSA Master Crafted Doors
10681 World Trade Blvd
Raleigh, NC 27617

TITLE: Full View Door with Full View Sidelites and Transom
APPROVED CONFIGURATIONS

PREPARED BY: RJA
DRAWN BY: RJA
DATE: 2/8/17
SCALE: N.T.S.
DRAWING NO.: DSA0004
REV: A
SHEET: 13 OF 8

PTC PRODUCT DESIGN GROUP, LLC
LONGWOOD, FLORIDA 32752
PHONE: 321.690.1788
FAX: 321.690.1789
EMAIL: info@ptc-corp.com

REV	DESCRIPTION	DATE	BY
A	UPDATED TO CURRENT FBC	10/14/20	RJA

Robert J. Amoruso, P.E.
Florida P.E. No. 49752

