

3068 TELSTAR PRO DOOR, OUT-SWING INSTALLATION INSTRUCTIONS

ANCHORAGE SCHEDULE AND DESCRIPTION				
SUBSTRATE	ANCHOR	EMBEDMENT	ANCHOR SPACING	EDGE DISTANCE
WOOD FRAMING	#10 WOOD SCREW	MINIMUM 1-1/2"	MINIMUM 1-1/2"	MINIMUM 2"
CONCRETE	3/16" TAPPER	MINIMUM 1-3/8"	MINIMUM 2-1/4"	MINIMUM 2-1/4"
CONCRETE	3/16" ITW TAPCON	MINIMUM 1-1/2"	MINIMUM 3"	MINIMUM 1-7/8"
CONCRETE	3/16" ULTRACON	MINIMUM 1-3/8"	MINIMUM 3"	MINIMUM 2-1/2"
STEEL STUD	#10-24 GR 2 SMS	MINIMUM 1"	MINIMUM 1-1/2"	MINIMUM 2"

DESIGN PRESSURE RATING	IMPACT RATING
+/- 70.18	NONE
THIS SYSTEM WAS NOT TESTED FOR WATER INFILTRATION AND IS TO BE INSTALLED ONLY WHERE THE WATER REQUIREMENT IS NOT NEEDED.	

DRAWINGS TABLE OF CONTENTS
SHEET 1: INDEX TO DRAWINGS AND NOTES.
SHEET 2: ELEVATIONS.
SHEET 3: ANCHORAGE DETAILS.
SHEET 4: BOM AND HARDWARE OPTIONS.

OVERALL SIZE: 3068 40.25" X 82.125"
MAXIMUM D.L.O. 10-1/4" X 10-1/4"

NOTES:

1. THE PRODUCT ILLUSTRATED SATISFIES THE REQUIREMENTS FOR THE CURRENT EDITION OF THE FLORIDA BUILDING CODE EXCLUDING THE HIGH VELOCITY HURRICANE ZONE (HVHZ).
2. THE INSTALLATION DRAWINGS DEPICTED WITHIN ARE NECESSARY TO MEET THE STRUCTURAL LOAD REQUIREMENTS. PLEASE SEE THE MANUFACTURER'S INSTALLATION INSTRUCTIONS FOR SEALING, FLASHING AND DRAINAGE REQUIREMENTS.
3. THIS PRODUCT IS NOT IMPACT RESISTANT AND THEREFORE AN APPROVED IMPACT PROTECTION SYSTEM IS REQUIRED FOR THIS PRODUCT IF IT IS INSTALLED IN A WIND BORNE DEBRIS AREA.
4. MAXIMUM ALLOWABLE SHIM STACK TO BE 1/4". SHIM ALL SPACES IN EXCESS OF 1/16".
5. WOOD FRAMING INSTALLATIONS ARE ASSUMED TO BE 2X S-P-F (G=0.42) FOR NON-HVHZ, 2X SOUTHERN PINE (G=0.55) FOR HVHZ OR DENSER. WOOD FRAMING SHALL BE GREATER THAN THE WINDOW FRAME WIDTH. TAPERED OR PARTIAL WOOD BUCKS ARE NOT ALLOWED. FOR INSTALLATION INTO WOOD FRAMING USE #10 WOOD SCREWS WITH SUFFICIENT LENGTH TO OBTAIN A 1-1/2" PENETRATION. ANCHORS SHALL BE LOCATED AS DESCRIBED IN THE ELEVATION DETAIL.
6. CONCRETE INSTALLATIONS ASSUME A MINIMUM COMPRESSIVE STRENGTH FOR CONCRETE OF 2,500 PSI. USE A CONCRETE ANCHOR OF EQUAL OR BETTER STRENGTH AS LISTED IN THE ANCHORAGE SCHEDULE. ANCHORS SHALL BE LOCATED AS DESCRIBED IN THE ELEVATION DETAIL.
7. METAL FRAMING INSTALLATION SHALL BE A MINIMUM OF 16 GAUGE, 33 KSI STRENGTH. USE A #10 GRADE 2 SMS WITH SUFFICIENT LENGTH TO ACHIEVE FULL PENETRATION OF THE METAL FRAMING AND EMBED 1/4" BEYOND THE DRILL POINT.
8. INSTALLATION ANCHORS/FASTENERS SHALL BE PAN HEAD OR HEX HEAD ON NAILING FIN PERIMETER AND FLAT HEAD AT THRESHOLD. PAN HEAD WOOD SCREWS ON NAILING FIN AND FLAT HEAD WOOD SCREWS ON THRESHOLD SHOWN IN SECTION VIEWS ON SHEET 3.
9. CORROSIVE RESISTANT ANCHORS/FASTENERS SHALL BE USED.
10. DOOR FRAME MATERIAL SHALL BE ROLL-FORMED OR PRESSED STEEL WITH THRESHOLD BEING EXTRUDED 6063-T5 ALUMINUM OR EQUIVALENT.
11. ALLOWABLE STRESS INCREASE OF 1/3 WAS NOT USED IN THE DESIGN OF THE PRODUCT SHOWN. WIND LOAD DURATION FACTOR Cd=1.6 WAS USED FOR WOOD ANCHOR CALCULATIONS.
12. UNITS SHALL BE INSTALLED AS DESCRIBED IN THESE INSTALLATION INSTRUCTIONS AND ALSO IN CONFORMANCE TO THE MANUFACTURER'S PUBLISHED INSTALLATION INSTRUCTIONS.

Robert J. Amoruso, P.E.
Florida P.E. No. 49752

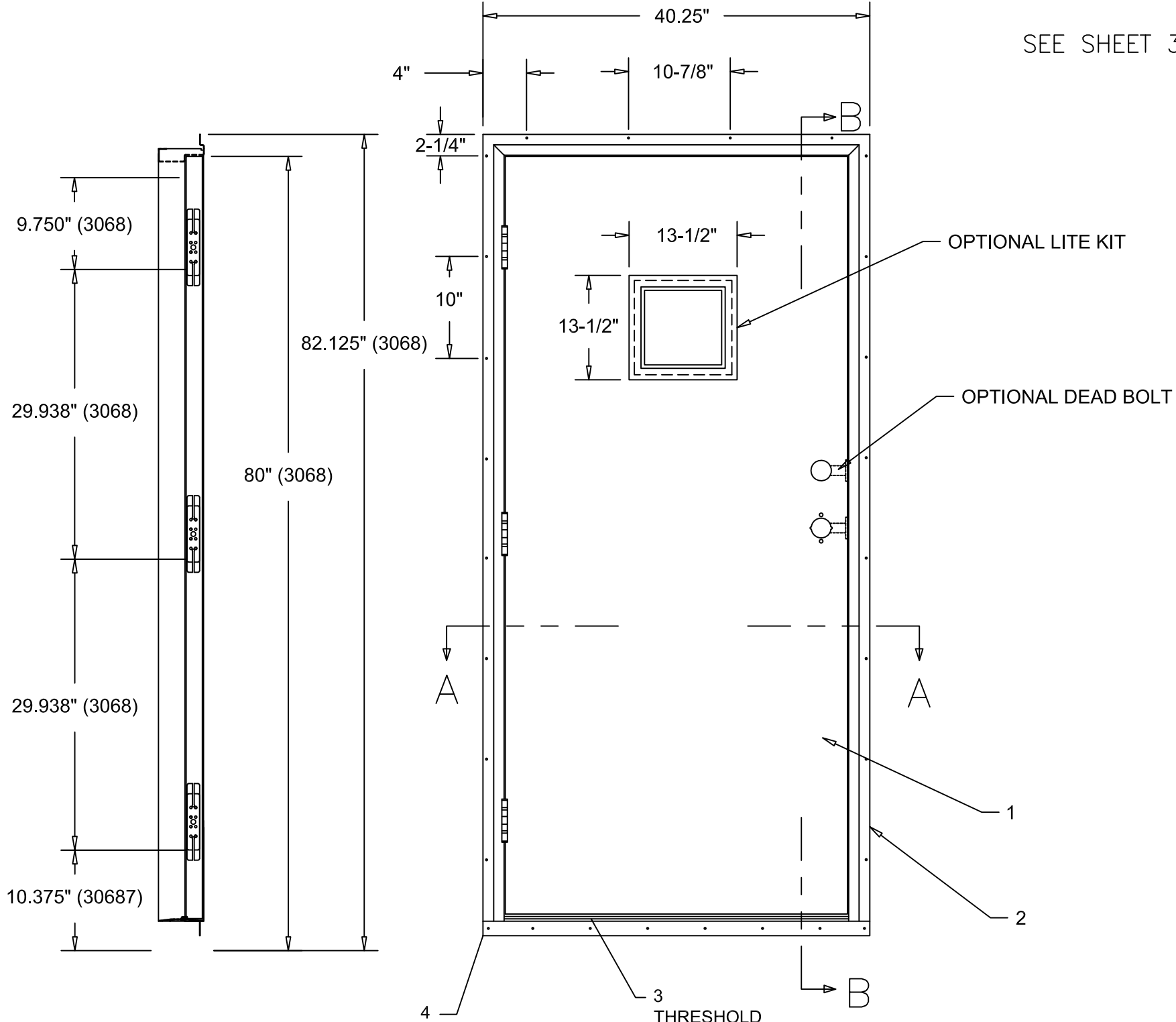


PTC PRODUCT DESIGN GROUP, LLC
PO BOX 520775 | LONGWOOD, FLORIDA 32752
FBPE C.A. NO. 25935
Phone: 321.690.1788 | Email: info@ptc-corp.com

TELL DOORS & WINDOWS, LLC.
6535 GUHN RD, STE 100
HOUSTON, TX 77040

DWG. TITLE	3068 TELSTAR PRO		
DESIGN BY	SHEET 1 OF 5		
APPROVED BY	RJA 10/17/23	DWG. NO.	A
SIZE	C	101209D	REV

SEE SHEET 3 FOR SECTION VIEWS

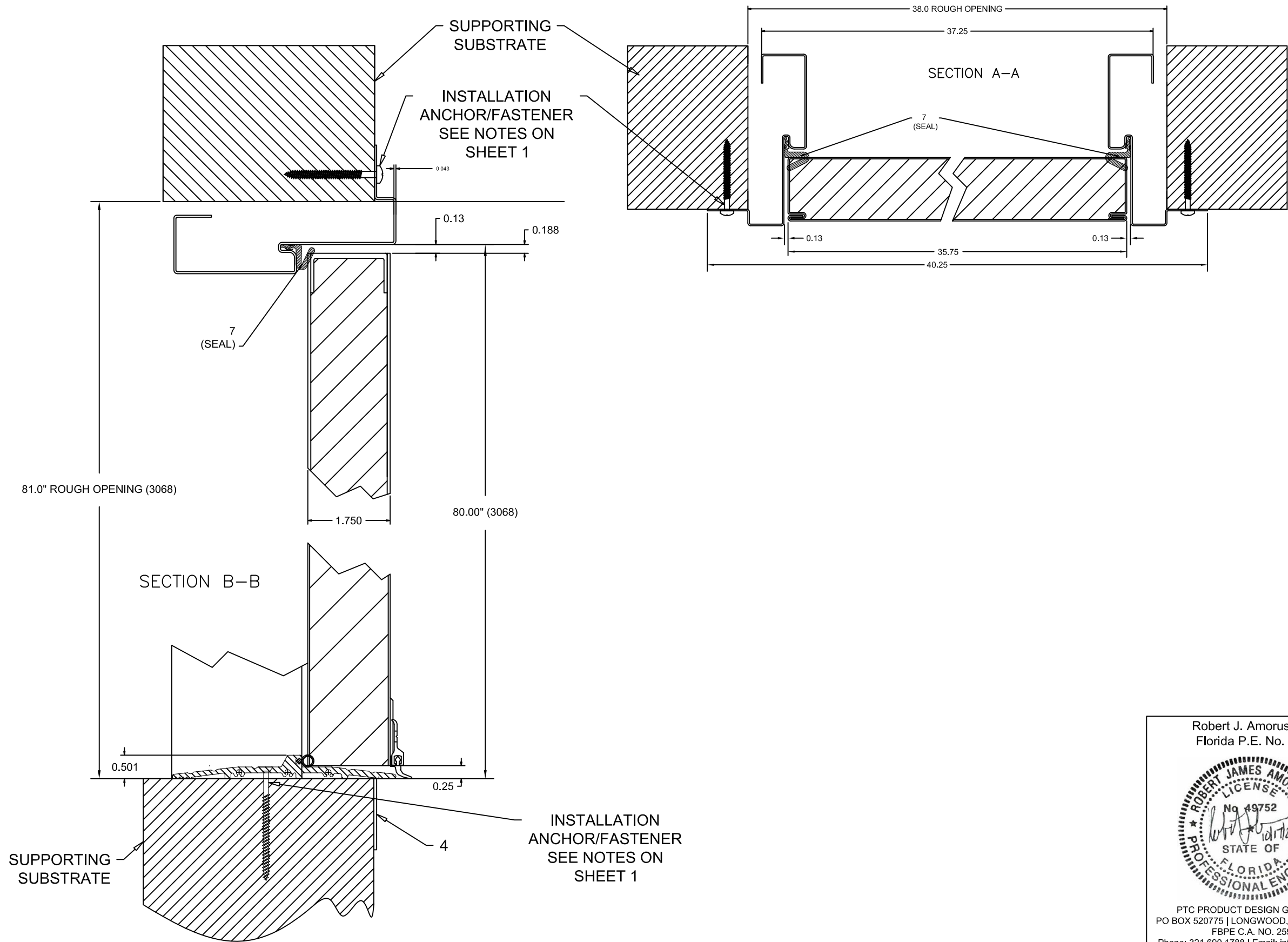


THRESHOLD FLASHING (NON-STRUCTURAL COMPONENT - INSTALLATION SHALL BE AS REQUIRED TO SUIT FIELD CONDITIONS AT INSTALLER'S DISCRETION)

Robert J. Amoruso, P.E.
 Florida P.E. No. 49752

PTC PRODUCT DESIGN GROUP, LLC
 PO BOX 520775 | LONGWOOD, FLORIDA 32752
 FBPE C.A. NO. 25935
 Phone: 321.690.1788 | Email: info@ptc-corp.com

TELL DOORS & WINDOWS, LLC. 6535 GUHN RD, STE 100 HOUSTON, TX 77040		DWG. TITLE 3068 TELSTAR PRO	DESIGN BY	SHEET 2 OF 5
		APPROVED BY RJA 10/17/23	DWG. NO. 101209D	A REV



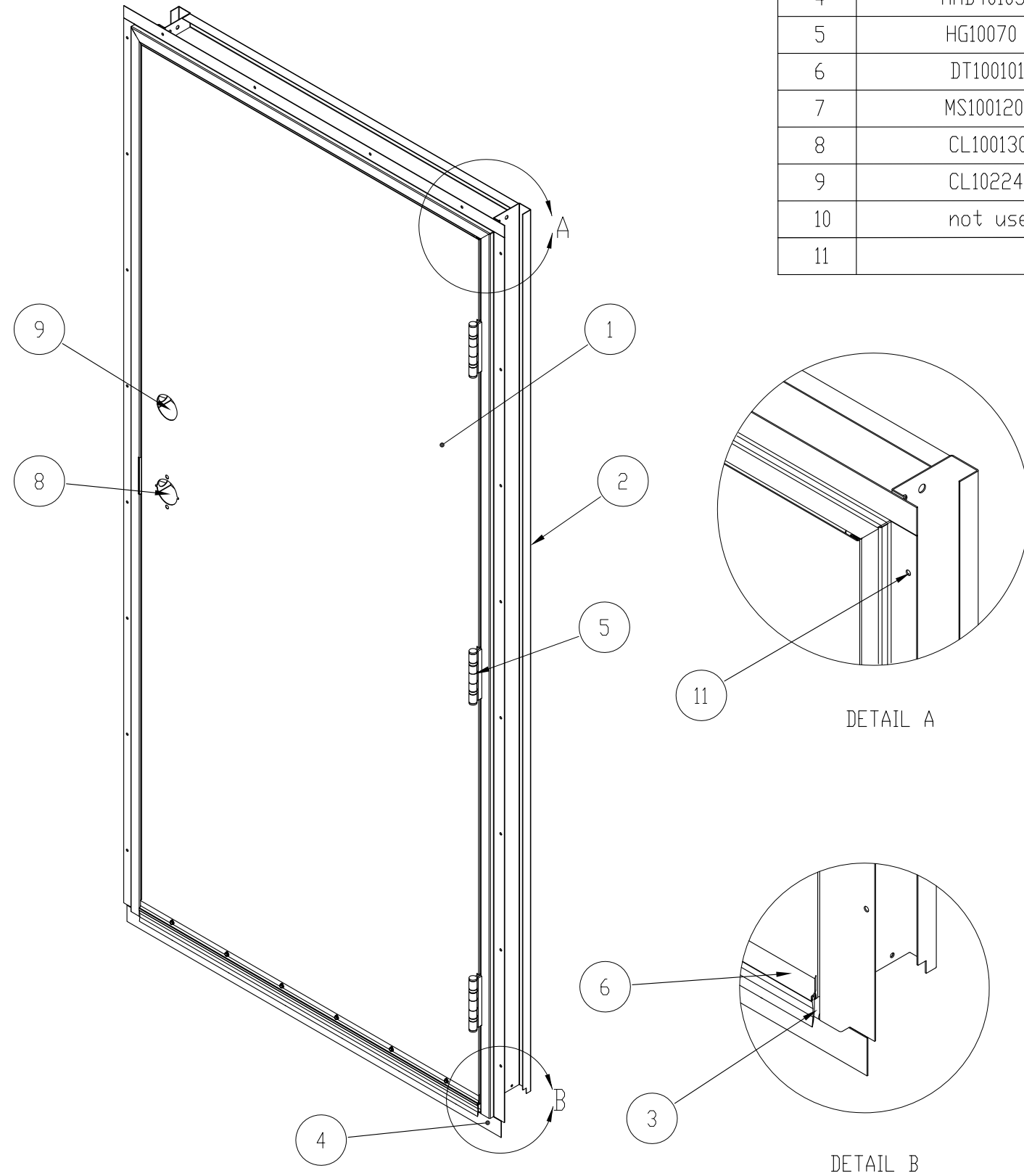
Robert J. Amoruso, P.E.
 Florida P.E. No. 49752



PTC PRODUCT DESIGN GROUP, LLC
 PO BOX 520775 | LONGWOOD, FLORIDA 32752
 FBPE C.A. NO. 25935
 Phone: 321.690.1788 | Email: info@ptc-corp.com

TELLS DOORS & WINDOWS, LLC. 6535 GUHN RD, STE 100 HOUSTON, TX 77040		DWG. TITLE 3068 TELSTAR PRO	SHEET 3 OF 5
DESIGN BY RJA	APPROVED BY RJA 10/17/23	DWG. NO. 101209D	A REV

ITEM	PART NUMBER	DESCRIPTION	QTY.
1	MMD20102	DHM 3070 20GA 161 DB	1
2	MMD30102	FR 3070 434 TP 16 161 DB RHR	1
3	MMD10750	THRESHOLD LATCHING 36" TP	1
4	MMD40103	FLASHING STRIP 36" TP	1
5	HG10070	4.5 X 4.5 BB HINGE	3
6	DT100101	SWEEP TP 35.75	1
7	MS100120	WEATHER STRIP LP1153	16'
8	CL100130	SPARK LOCK LC2475CTL 26D 234 A	1
9	CL102245	STANLEY DEADBOLT DB 2451 32D ADJ6 SCC KA4	1
10	not used		
11		INSTALLATION ANCHOR/FASTENER (SEE SHEET 1 NOTES)	AS REQ'D



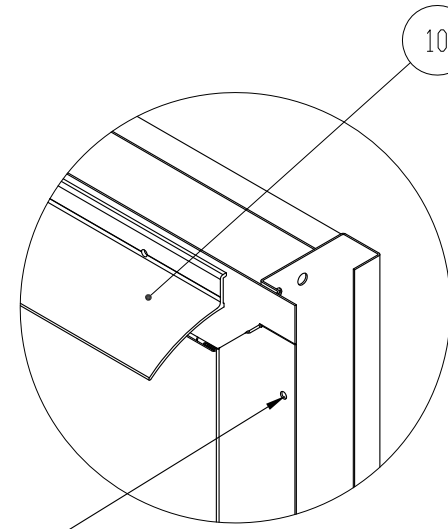
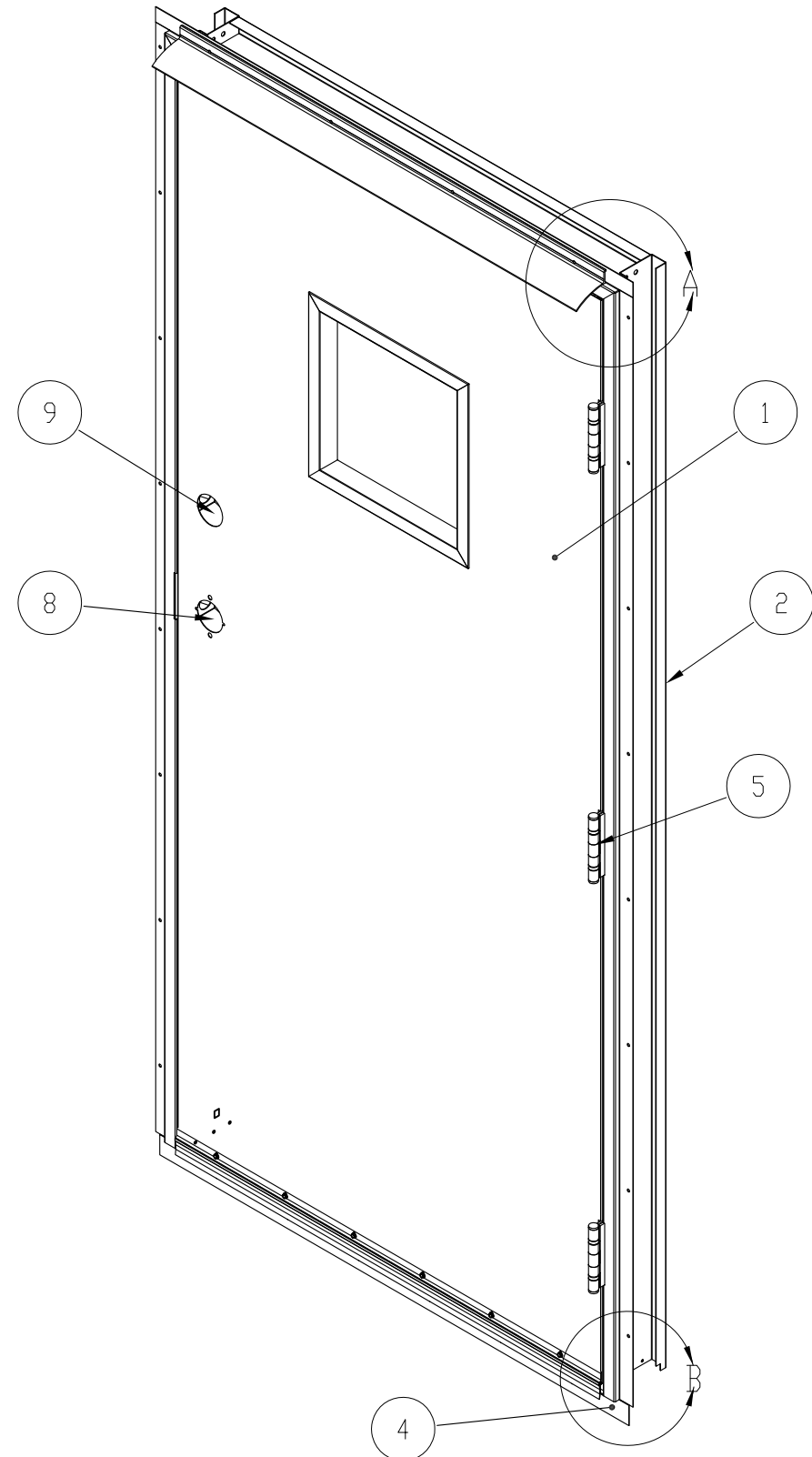
Robert J. Amoruso, P.E.
Florida P.E. No. 49752



PTC PRODUCT DESIGN GROUP, LLC
PO BOX 520775 | LONGWOOD, FLORIDA 32752
FBPE C.A. NO. 25935
Phone: 321.690.1788 | Email: info@ptc-corp.com

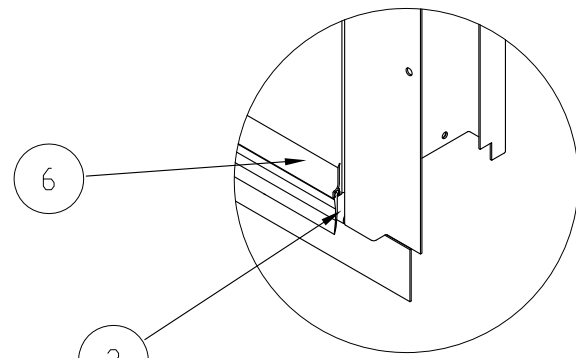
TELL DOORS & WINDOWS, LLC. 6535 GUHN RD, STE 100 HOUSTON, TX 77040		DWG. TITLE 3068 TELSTAR PRO	DESIGN BY	SHEET 4 OF 5
		APPROVED BY RJA 10/17/23	DWG. NO. 101209D	A REV

ITEM	PART NUMBER	DESCRIPTION	QTY.
1	MMD20102	DHM 3070 20GA 161 DB	1
2	MMD30102	FR 3070 434 TP 16 161 DB RHR	1
3	MMD10750	THRESHOLD LATCHING 36" TP	1
4	MMD40103	FLASHING STRIP 36" TP	1
5	HG10070	4.5 X 4.5 BB HINGE	3
6	DT100101	SWEEP TP 35.75	1
7	MS100120	WEATHER STRIP LP1153	16'
8	CL100130	SPARK LOCK LC2475CTL 26D 234 A	1
9	CL102245	STANLEY DEADBOLT DB 2451 32D ADJ6 SCC KA4	1
10	DT100011	DRIP CAP	1
11		INSTALLATION ANCHOR/FASTENER (SEE SHEET 1 NOTES)	AS REQ'D



DRIP CAP (NON-STRUCTURAL COMPONENT - INSTALLATION SHALL BE AS REQUIRED TO SUIT FIELD CONDITIONS AT INSTALLER'S DISCRETION)

DETAIL A



DETAIL B

Robert J. Amoruso, P.E.
Florida P.E. No. 49752



PTC PRODUCT DESIGN GROUP, LLC
PO BOX 520775 | LONGWOOD, FLORIDA 32752
FBPE C.A. NO. 25935
Phone: 321.690.1788 | Email: info@ptc-corp.com

TELL DOORS & WINDOWS, LLC. 6535 GUHN RD, STE 100 HOUSTON, TX 77040	DWG. TITLE 3068 TELSTAR PRO		SHEET 5 OF 5	
	DESIGN BY RJA	DATE 10/17/23	DWG. NO. 101209D	REV A