

REVISIONS			
REV	DESCRIPTION	DATE	APPROVED

NOTES:

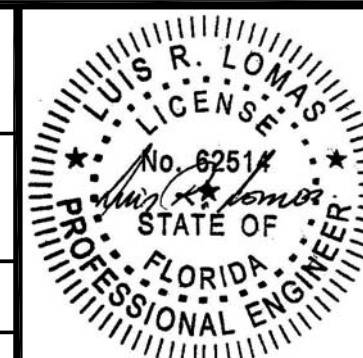
1. THE PRODUCT SHOWN HEREIN IS DESIGNED AND MANUFACTURED TO COMPLY WITH REQUIREMENTS OF THE FLORIDA BUILDING CODE.
2. WOOD FRAMING AND MASONRY OPENING TO BE DESIGNED AND ANCHORED TO PROPERLY TRANSFER ALL LOADS TO STRUCTURE. FRAMING AND MASONRY OPENING IS THE RESPONSIBILITY OF THE ARCHITECT OR ENGINEER OF RECORD.
3. 1X BUCK OVER MASONRY/CONCRETE IS OPTIONAL.
4. WHERE SHIM OR BUCK THICKNESS IS LESS THAN 1-1/2" FENESTRATION UNITS MUST BE ANCHORED THROUGH THE FRAME IN ACCORDANCE WITH MANUFACTURER'S PUBLISHED INSTALLATION INSTRUCTIONS. ANCHORS SHALL BE SECURELY FASTENED DIRECTLY INTO MASONRY, CONCRETE OR OTHER STRUCTURAL SUBSTRATE MATERIAL.
5. WHERE WOOD BUCK THICKNESS IS 1-1/2" OR GREATER, BUCK SHALL BE SECURELY FASTENED TO MASONRY, CONCRETE OR OTHER STRUCTURAL SUBSTRATE. FENESTRATION UNITS MAY BE ANCHORED THROUGH FRAME TO SECURED WOOD BUCK IN ACCORDANCE WITH MANUFACTURER'S PUBLISHED INSTALLATION INSTRUCTIONS.
6. WHERE 1X BUCK IS NOT USED DISSIMILAR MATERIALS MUST BE SEPARATED WITH APPROVED COATING OR MEMBRANE. SELECTION OF COATING OR MEMBRANE IS THE RESPONSIBILITY OF THE ARCHITECT OR ENGINEER OF RECORD.
7. BUCKS SHALL EXTEND BEYOND WINDOW INTERIOR FACE SO THAT FULL FRAME SUPPORT IS PROVIDED.
8. SHIM AS REQUIRED AT EACH ANCHOR LOCATION WITH LOAD BEARING SHIM. SHIM WHERE SPACE OF 1/16" OR GREATER OCCURS. MAXIMUM ALLOWABLE SHIM STACK TO BE 1/4".
9. SHIMS SHALL BE LOCATED, APPLIED AND MADE FROM MATERIALS AND THICKNESS CAPABLE OF SUSTAINING APPLICABLE LOADS.
10. WIND LOAD DURATION FACTOR Cd=1.6 WAS USED FOR WOOD ANCHOR CALCULATIONS.
11. FRAME MATERIAL: FOAM PVC CO-EX.
12. UNITS MUST BE GLAZED PER ASTM E1300-04/09, SEE SHEET 2 FOR DETAILS.
13. APPROVED IMPACT PROTECTIVE SYSTEM IS NOT REQUIRED FOR THIS PRODUCT IN WIND BORNE DEBRIS REGIONS.
14. FOR ANCHORING THROUGH FRAME INTO WOOD FRAMING OR 2X BUCK USE #10 WOOD SCREWS WITH SUFFICIENT LENGTH TO ACHIEVE A 1 1/4" MINIMUM EMBEDMENT INTO SUBSTRATE. LOCATE ANCHORS AS SHOWN IN ELEVATIONS AND INSTALLATION DETAILS.

15. FOR ANCHORING THROUGH FRAME INTO MASONRY/CONCRETE USE 3/16" TAPCONS WITH SUFFICIENT LENGTH TO ACHIEVE A 1 1/4" MINIMUM EMBEDMENT INTO SUBSTRATE WITH 2 1/2" MINIMUM EDGE DISTANCE. LOCATE ANCHORS AS SHOWN IN ELEVATIONS AND INSTALLATION DETAILS.
16. FOR ANCHORING THROUGH FRAME INTO METAL STRUCTURE USE #10 SMS OR SELF DRILLING SCREWS WITH SUFFICIENT LENGTH TO ACHIEVE 3 THREADS MINIMUM BEYOND STRUCTURE INTERIOR WALL. LOCATE ANCHORS AS SHOWN IN ELEVATIONS AND INSTALLATION DETAILS.
17. ALL FASTENERS TO BE CORROSION RESISTANT.
18. INSTALLATION ANCHORS SHALL BE INSTALLED IN ACCORDANCE WITH ANCHOR MANUFACTURER'S INSTALLATION INSTRUCTIONS AND ANCHORS SHALL NOT BE USED IN SUBSTRATES WITH STRENGTHS LESS THAN THE MINIMUM STRENGTH SPECIFIED BELOW:
 - A. WOOD: MINIMUM SPECIFIC GRAVITY OF G=0.42
 - B. CONCRETE: MINIMUM COMPRESSIVE STRENGTH OF 2,000 PSI.
 - C. MASONRY: HOLLOW/FILLED BLOCK PER ASTM C90 WITH Fm=2,000PSI MINIMUM.
 - D. METAL STRUCTURE: STEEL 18GA (.048") FY=33KSI/FU=52KSI OR ALUMINUM 6063-T5 FU=30KSI .058" THICK MINIMUM
19. APPROVED CONFIGURATIONS: O, X, OX, XO, OXX, XXO, O/O/X/O, O/X/OX, O/XO/O, OXX/O, O/XXO.

SIGNED: 03/08/2017

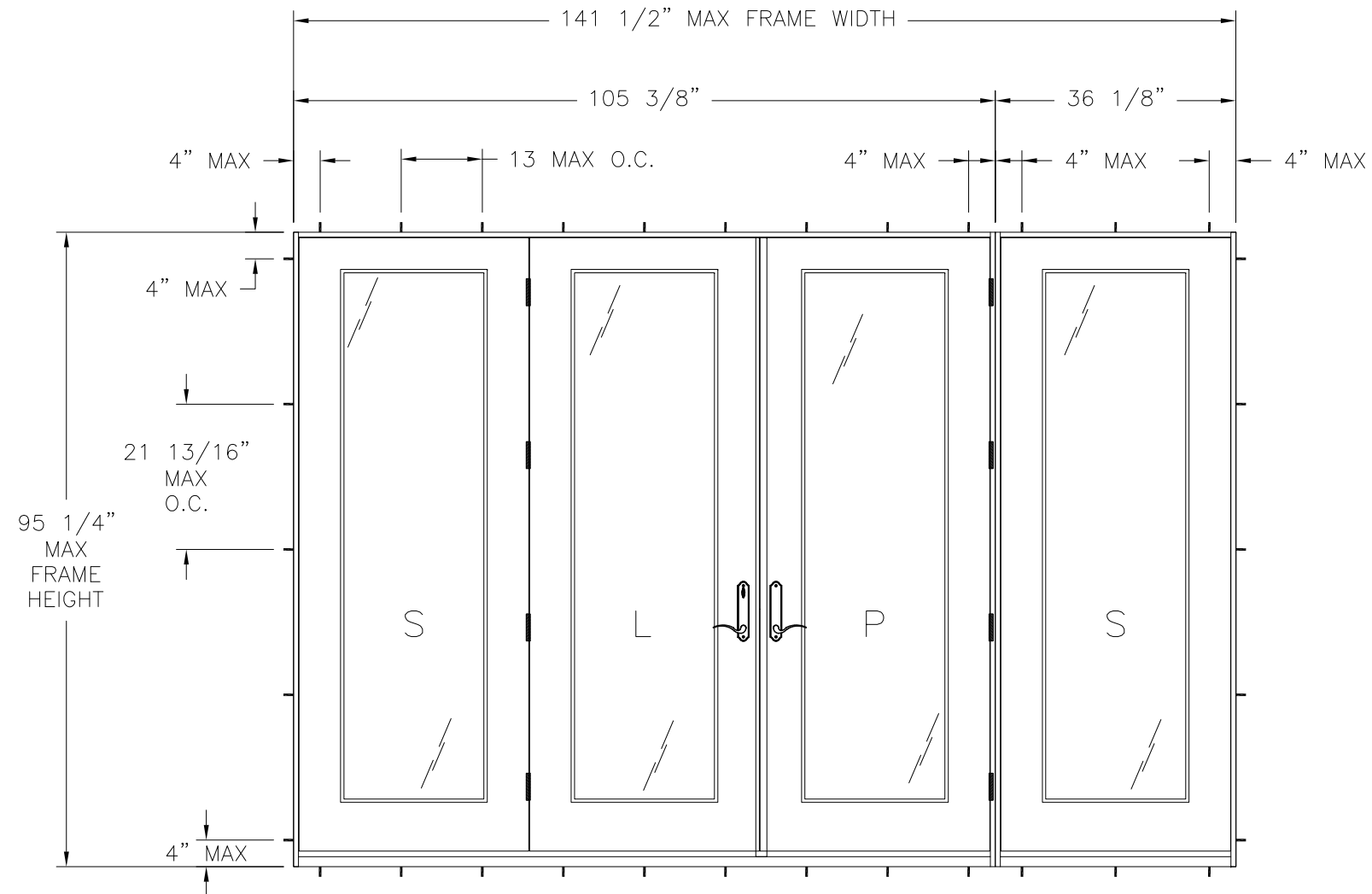
TABLE OF CONTENTS	
SHEET NO.	DESCRIPTION
1	NOTES
2	ELEVATION
3 - 8	INSTALLATION DETAILS
9	APPROVED PANELS

NAN YA PLASTICS CORP. USA 8989 NORTH LOOP EAST HOUSTON, TX 77029		
SERIES SLPS INSWING GLAZED FIBERGLASS SIDE-HINGED PATIO DOOR - IMPACT NOTES		
DRAWN: V.L.	DWG NO. 08-02976	REV -
SCALE NTS	DATE 01/10/17	SHEET 1 OF 9
L. ROBERTO LOMAS P.E. 1432 WOODFORD RD LEWISVILLE, NC 27023 434-688-0609 rllomas@rlomaspe.com		

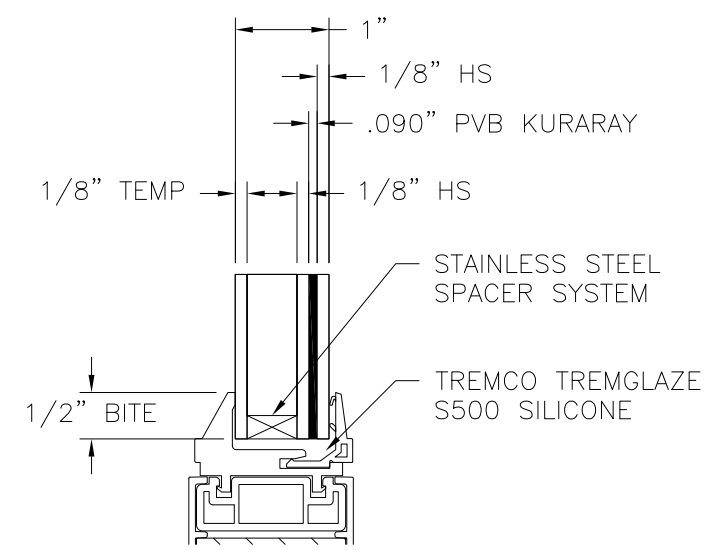


Luis R. Lomas P.E.
FL No.: 62514

REVISIONS			
REV	DESCRIPTION	DATE	APPROVED



NOTES:
 1. MAXIMUM PANEL SIZE: 34 1/2" X 92 1/16"
 2. MAXIMUM D.L.O.: 21" X 79"



SERIES SLPS INSWING GLAZED FIBERGLASS SIDE-HINGED PATIO DOOR
 EXTERIOR VIEW

GLAZING DETAIL

DESIGN PRESSURE RATING	IMPACT RATING
+40.0/-60.0PSF	NONE

WHERE WATER PENETRATION RESISTANCE IS REQUIRED

DESIGN PRESSURE RATING	IMPACT RATING
±60.0PSF	NONE

WHERE WATER PENETRATION RESISTANCE IS NOT REQUIRED

HARDWARE SCHEDULE	
A.	(1) MULTI-POINT LOCKING SYSTEM 9" FROM HEAD AND SILL
B.	SLAB MULTI-POINT LOCK KEEPER
C.	TOP/BOTTOM BAR KEEPER AT FRAME HEAD AND SILL
D.	4X4 DOOR HINGE AT 8", 34", 60", AND 86" FROM FRAME HEAD
E.	CONNECTION PLATE
F.	ALUMINUM REINFORCEMENT (A) AT ASTRAGAL
G.	STEEL REINFORCEMENT AT ACTIVE, PASSIVE, FIXED AND STATIONARY PANEL STILES

NAN YA PLASTICS CORP. USA
 8989 NORTH LOOP EAST
 HOUSTON, TX 77029

SERIES SLPS INSWING GLAZED FIBERGLASS
 SIDE-HINGED PATIO DOOR - IMPACT
 ELEVATION

DRAWN: V.L.	DWG NO. 08-02976	REV -
SCALE NTS	DATE 01/10/17	SHEET 2 OF 9

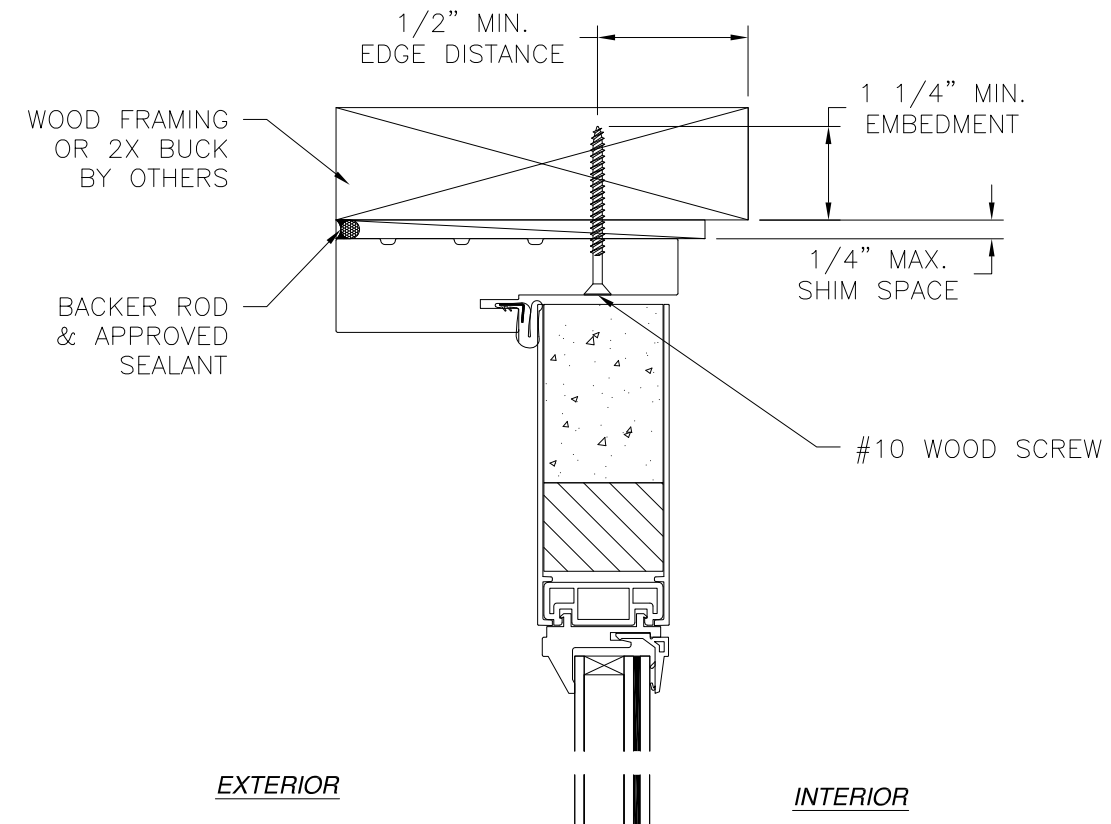
L. ROBERTO LOMAS P.E.
 1432 WOODFORD RD LEWISVILLE, NC 27023
 434-688-0609 rllomas@rlomaspe.com

SIGNED: 03/08/2017

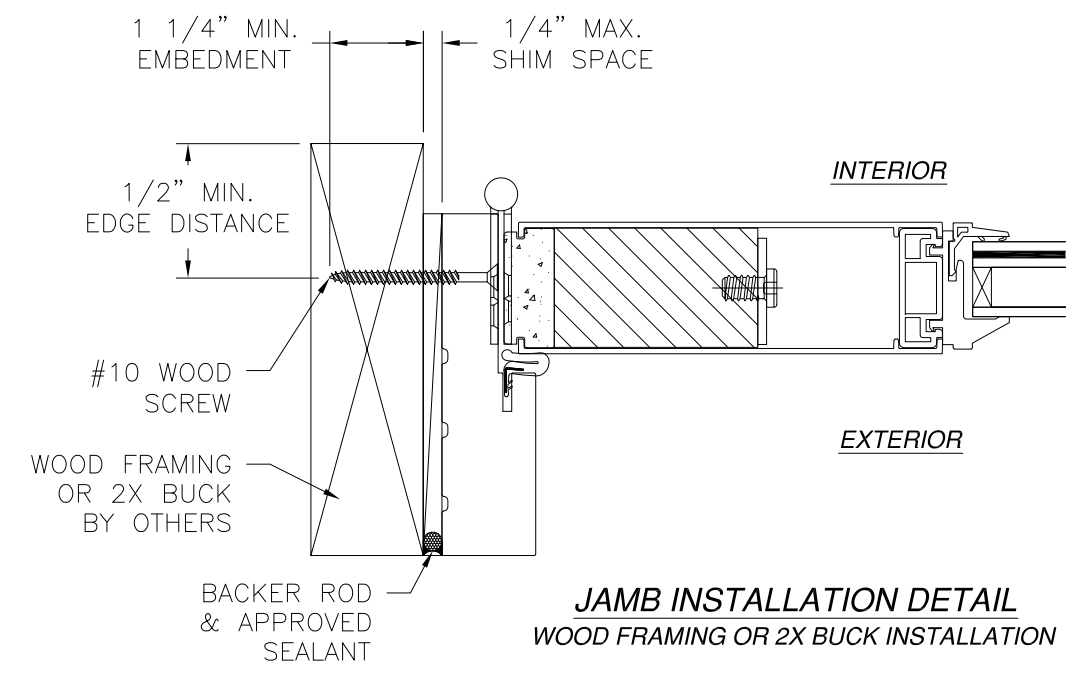


Luis R. Lomas P.E.
 FL No.: 62514

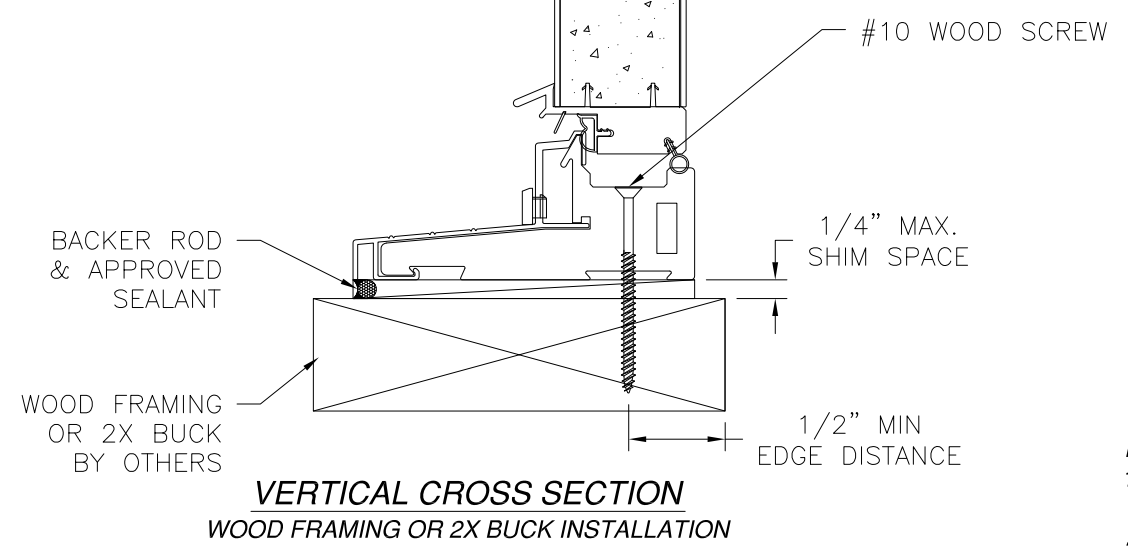
REVISIONS			
REV	DESCRIPTION	DATE	APPROVED



EXTERIOR INTERIOR



JAMB INSTALLATION DETAIL
WOOD FRAMING OR 2X BUCK INSTALLATION



VERTICAL CROSS SECTION
WOOD FRAMING OR 2X BUCK INSTALLATION

- NOTES:**
- INTERIOR AND EXTERIOR FINISHES, BY OTHERS, NOT SHOWN FOR CLARITY.
 - PERIMETER AND JOINT SEALANT BY OTHERS TO BE DESIGNED IN ACCORDANCE WITH ASTM E2112

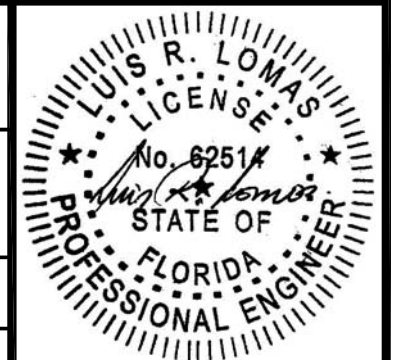
SIGNED: 03/08/2017

NAN YA PLASTICS CORP. USA
8989 NORTH LOOP EAST
HOUSTON, TX 77029

SERIES SLPS INSWING GLAZED FIBERGLASS
SIDE-HINGED PATIO DOOR - IMPACT
DOOR INSTALLATION DETAILS

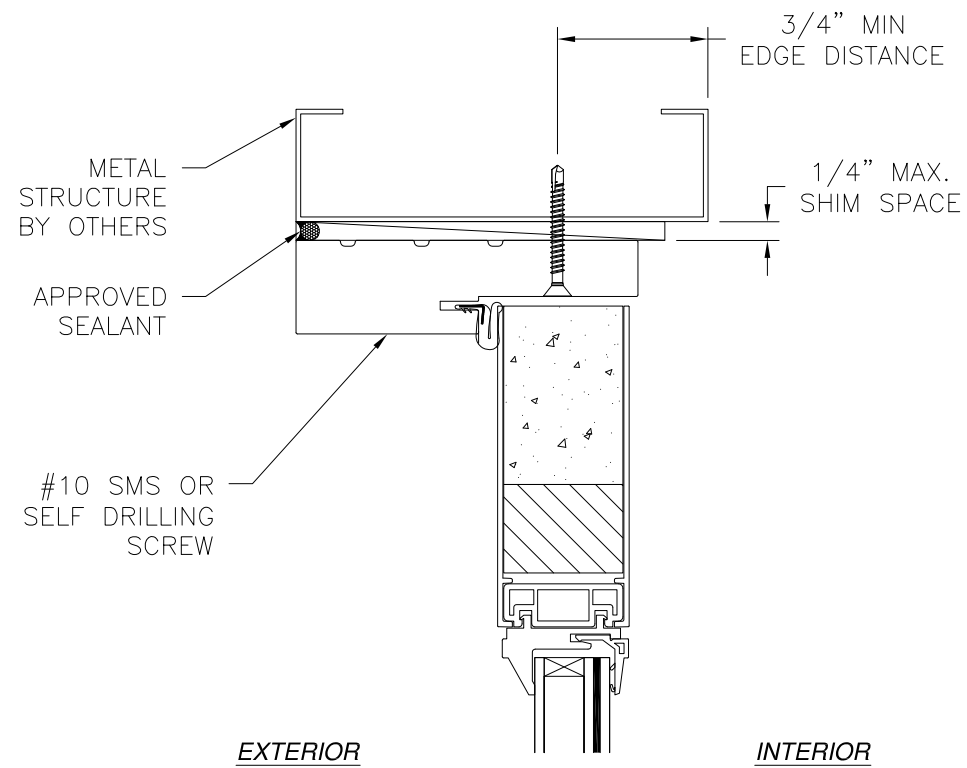
DRAWN: V.L.	DWG NO. 08-02976	REV -
SCALE NTS	DATE 01/10/17	SHEET 3 OF 9

L. ROBERTO LOMAS P.E.
1432 WOODFORD RD LEWISVILLE, NC 27023
434-688-0609 rllomas@rlomaspe.com



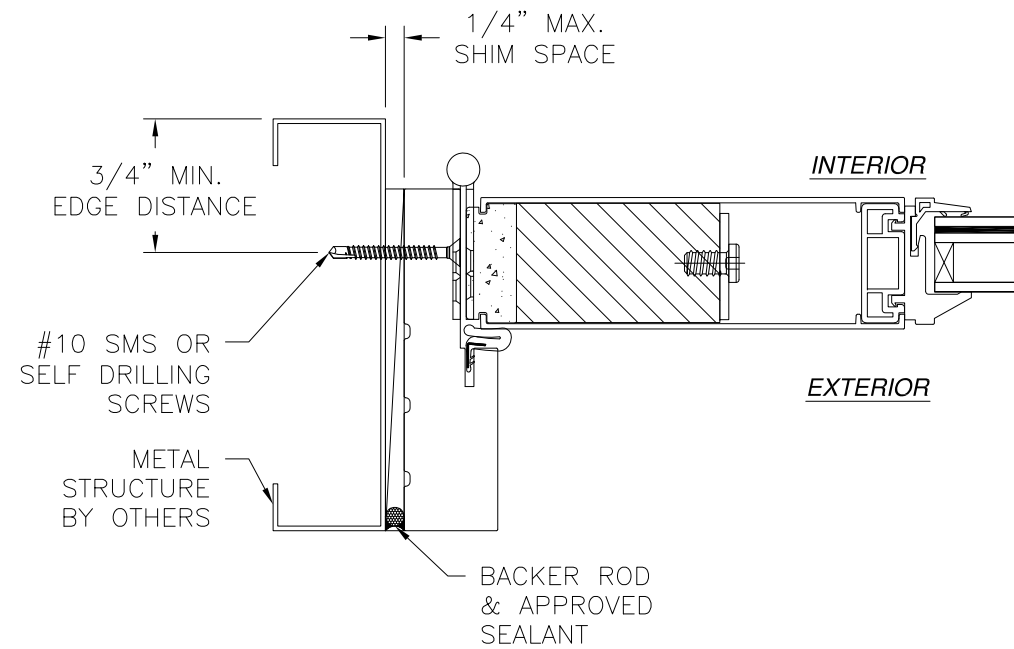
Luis R. Lomas P.E.
FL No.: 62514

REVISIONS			
REV	DESCRIPTION	DATE	APPROVED

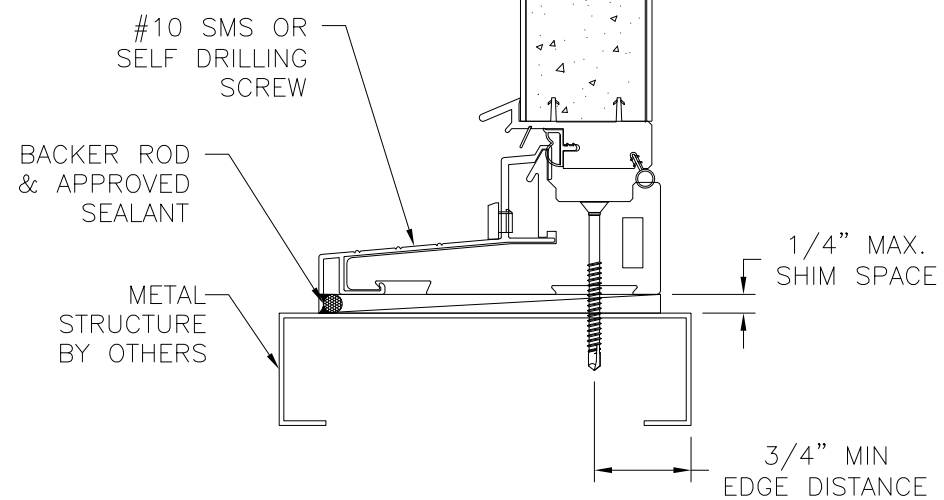


EXTERIOR

INTERIOR



JAMB INSTALLATION DETAIL
METAL STRUCTURE INSTALLATION



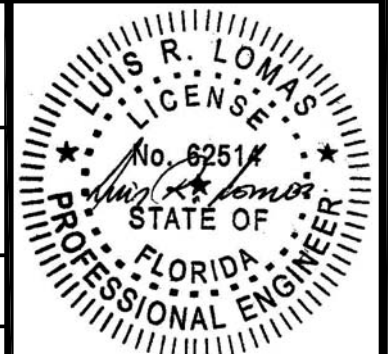
VERTICAL CROSS SECTION
METAL STRUCTURE INSTALLATION

NOTES:

1. INTERIOR AND EXTERIOR FINISHES, BY OTHERS, NOT SHOWN FOR CLARITY.
2. PERIMETER AND JOINT SEALANT BY OTHERS TO BE DESIGNED IN ACCORDANCE WITH ASTM E2112

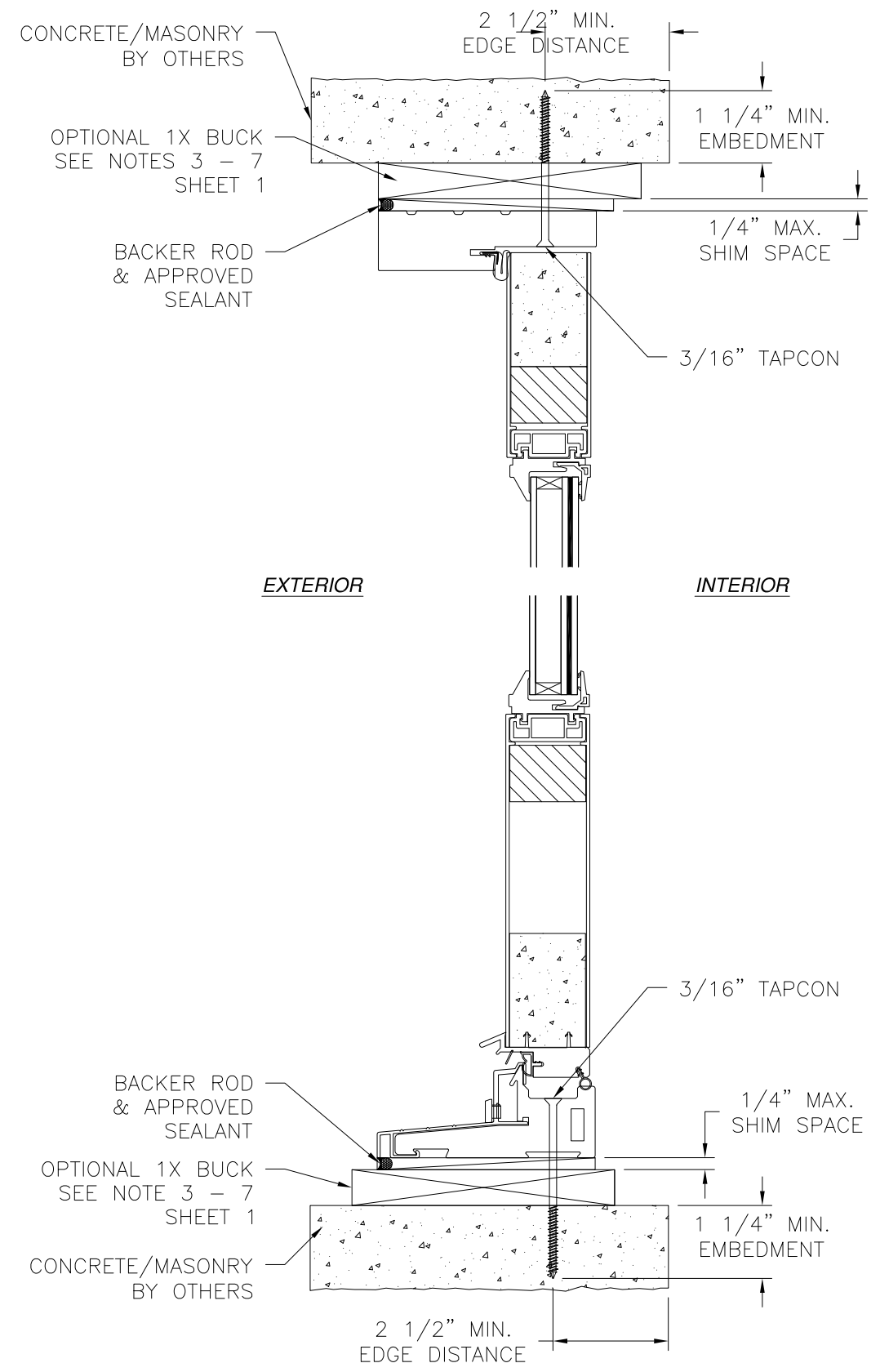
<p>NAN YA PLASTICS CORP. USA 8989 NORTH LOOP EAST HOUSTON, TX 77029</p>		
<p>SERIES SLPS INSWING GLAZED FIBERGLASS SIDE-HINGED PATIO DOOR – IMPACT DOOR INSTALLATION DETAILS</p>		
DRAWN: V.L.	DWG NO. 08-02976	REV -
SCALE NTS	DATE 01/10/17	SHEET 4 OF 9
<p>L. ROBERTO LOMAS P.E. 1432 WOODFORD RD LEWISVILLE, NC 27023 434-688-0609 rllomas@rlomaspe.com</p>		

SIGNED: 03/08/2017

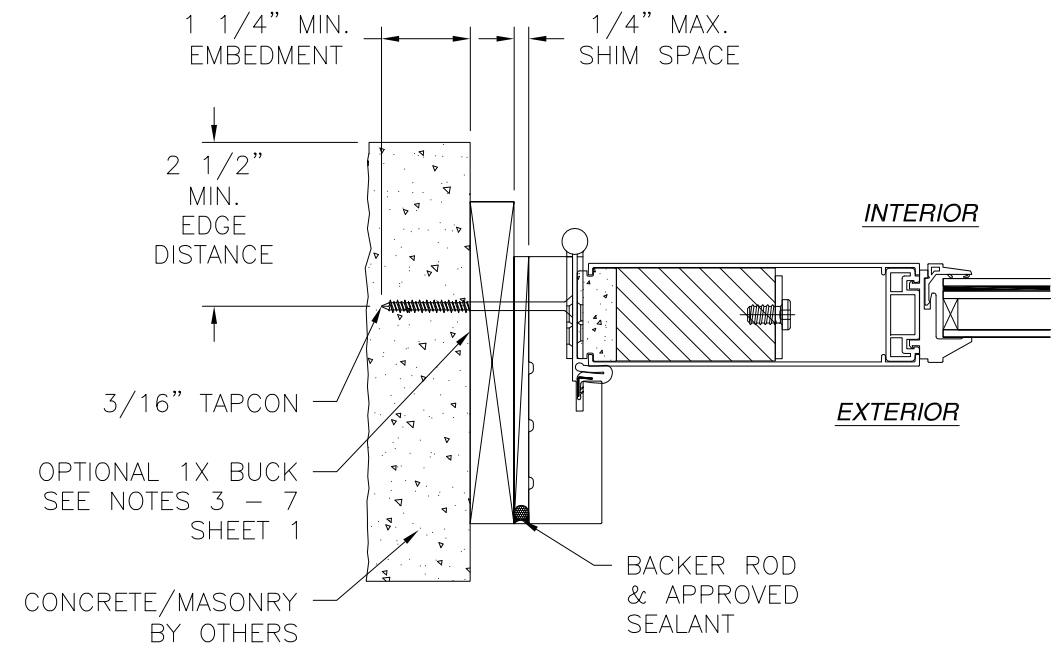


Luis R. Lomas P.E.
FL No.: 62514

REVISIONS			
REV	DESCRIPTION	DATE	APPROVED



VERTICAL CROSS SECTION
CONCRETE/MASONRY INSTALLATION



JAMB INSTALLATION DETAIL
CONCRETE/MASONRY INSTALLATION

- NOTES:**
1. INTERIOR AND EXTERIOR FINISHES, BY OTHERS, NOT SHOWN FOR CLARITY.
 2. PERIMETER AND JOINT SEALANT BY OTHERS TO BE DESIGNED IN ACCORDANCE WITH ASTM E2112

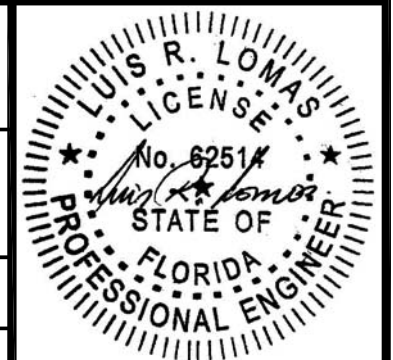
NAN YA PLASTICS CORP. USA
8989 NORTH LOOP EAST
HOUSTON, TX 77029

SERIES SLPS INSWING GLAZED FIBERGLASS
SIDE-HINGED PATIO DOOR – IMPACT
DOOR INSTALLATION DETAILS

DRAWN: V.L.	DWG NO. 08-02976	REV -
SCALE NTS	DATE 01/10/17	SHEET 5 OF 9

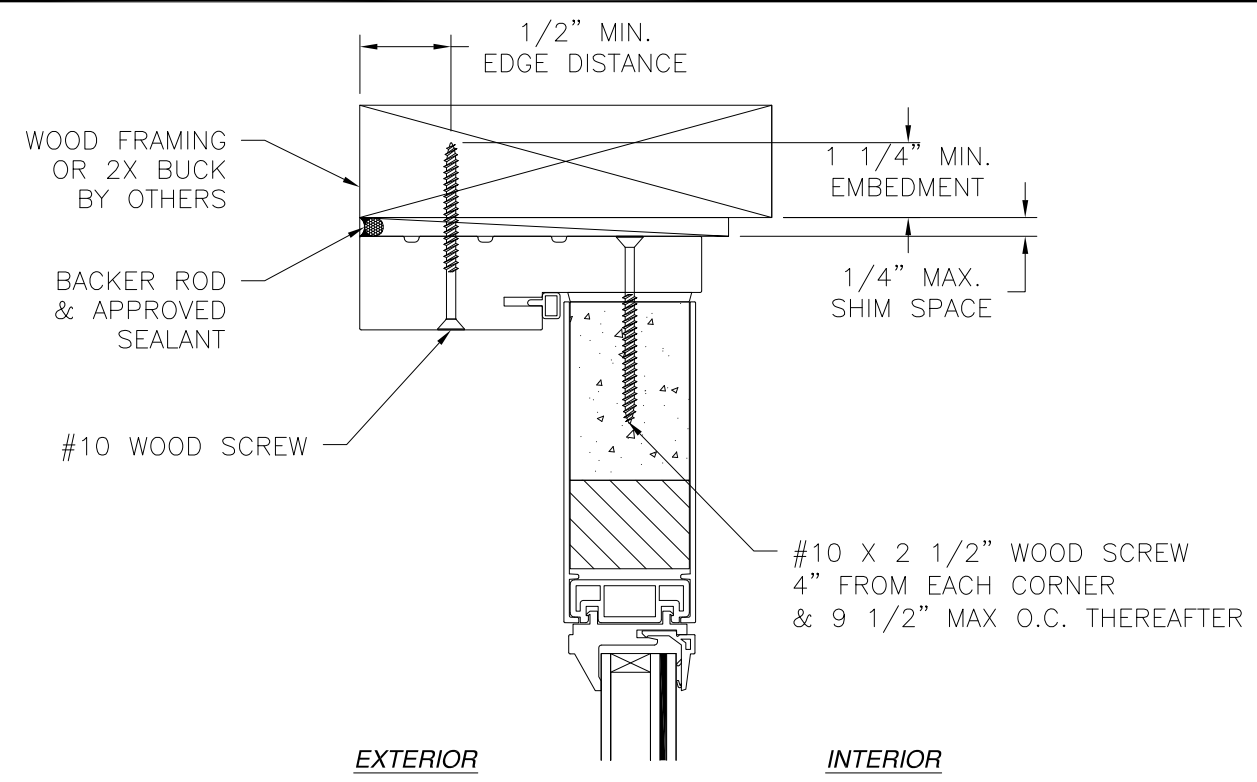
L. ROBERTO LOMAS P.E.
1432 WOODFORD RD LEWISVILLE, NC 27023
434-688-0609 rllomas@rlomaspe.com

SIGNED: 03/08/2017

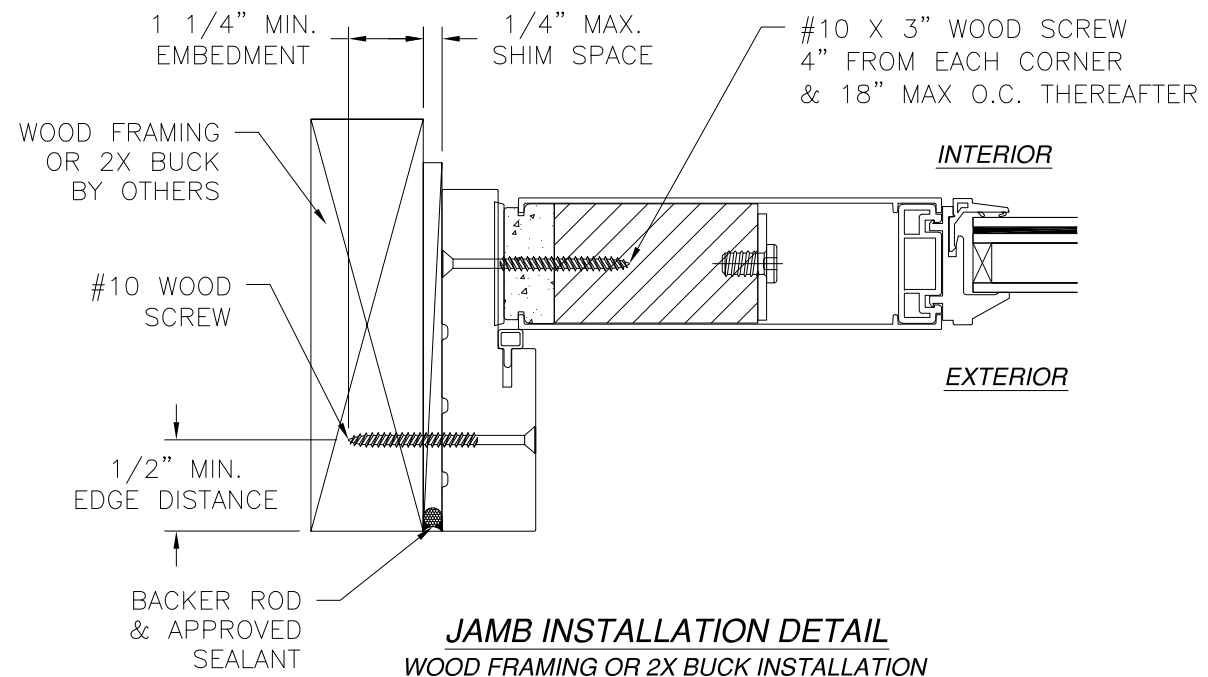


Luis R. Lomas P.E.
FL No.: 62514

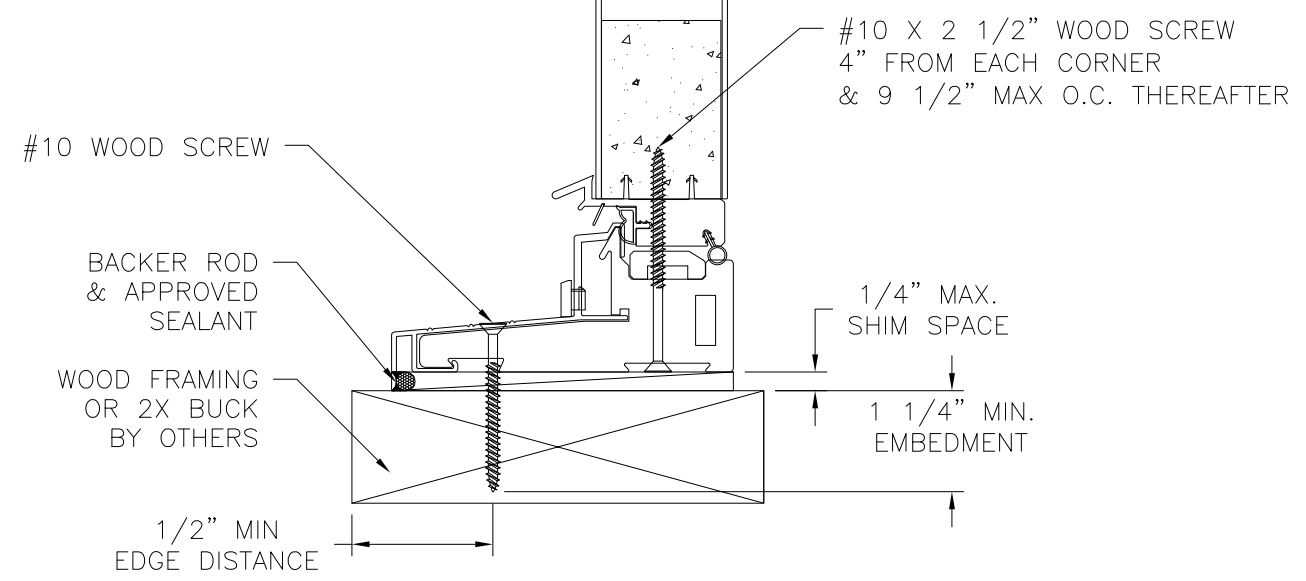
REVISIONS			
REV	DESCRIPTION	DATE	APPROVED



EXTERIOR INTERIOR



JAMB INSTALLATION DETAIL
WOOD FRAMING OR 2X BUCK INSTALLATION



VERTICAL CROSS SECTION
WOOD FRAMING OR 2X BUCK INSTALLATION

- NOTES:**
1. INTERIOR AND EXTERIOR FINISHES, BY OTHERS, NOT SHOWN FOR CLARITY.
 2. PERIMETER AND JOINT SEALANT BY OTHERS TO BE DESIGNED IN ACCORDANCE WITH ASTM E2112

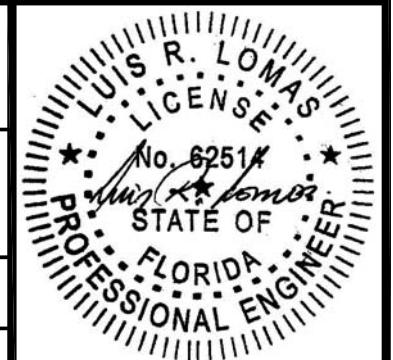
SIGNED: 03/08/2017

NAN YA PLASTICS CORP. USA
8989 NORTH LOOP EAST
HOUSTON, TX 77029

SERIES SLPS INSWING GLAZED FIBERGLASS
SIDE-HINGED PATIO DOOR – IMPACT
SIDELITE INSTALLATION DETAILS

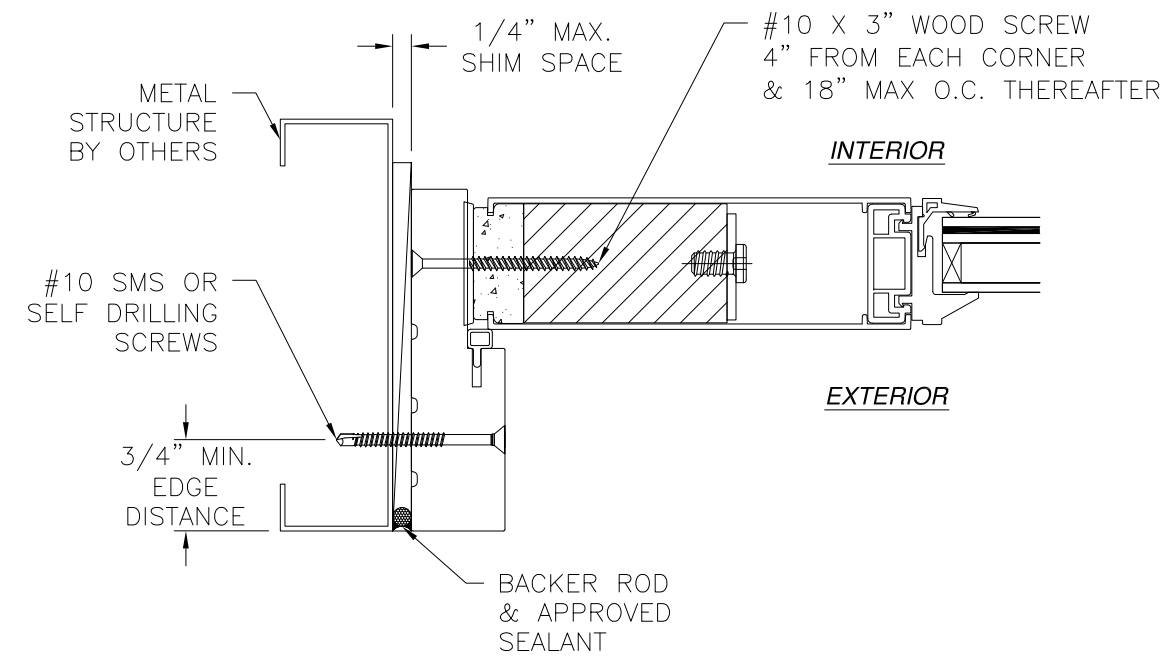
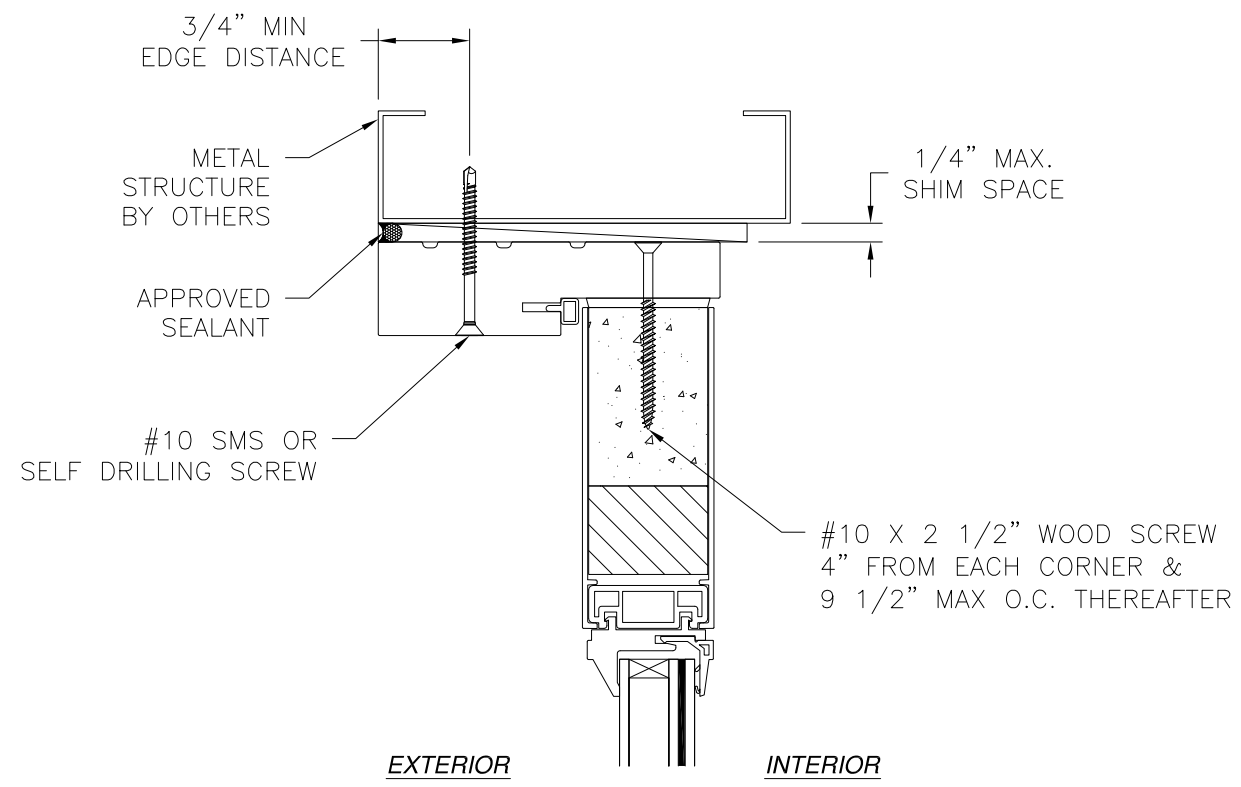
DRAWN: V.L.	DWG NO. 08-02976	REV -
SCALE NTS	DATE 01/10/17	SHEET 6 OF 9

L. ROBERTO LOMAS P.E.
1432 WOODFORD RD LEWISVILLE, NC 27023
434-688-0609 rllomas@rlomaspe.com

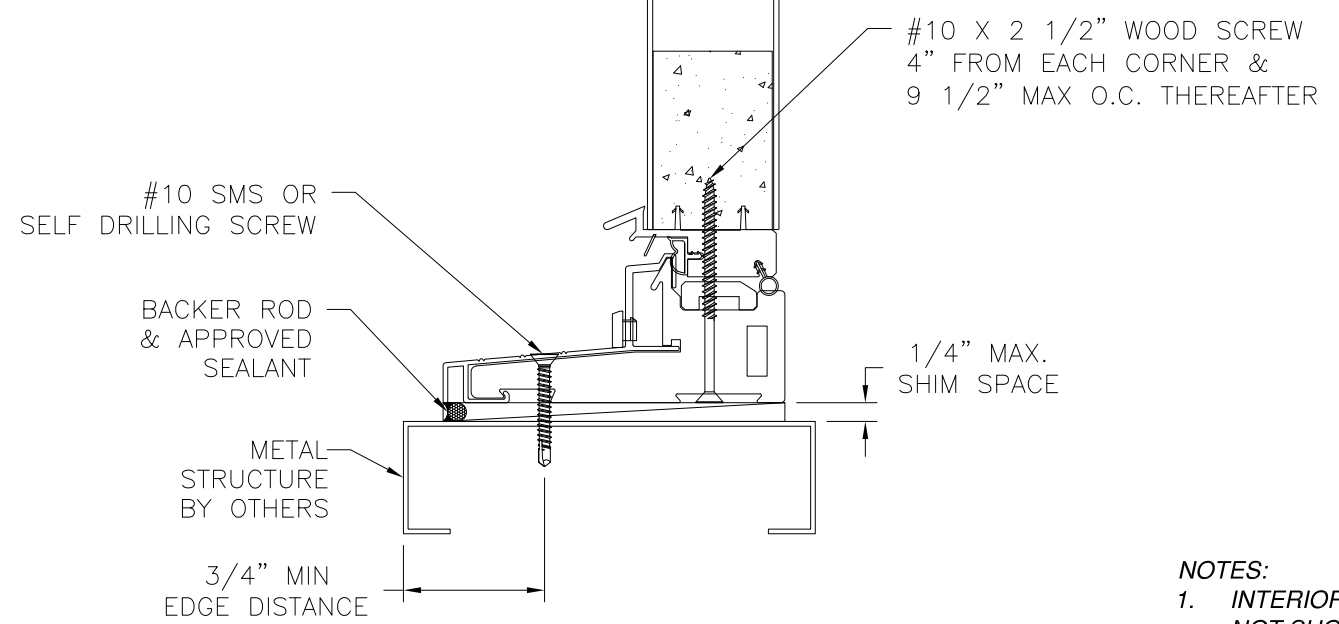


Luis R. Lomas P.E.
FL No.: 62514

REVISIONS			
REV	DESCRIPTION	DATE	APPROVED



JAMB INSTALLATION DETAIL
METAL STRUCTURE INSTALLATION



VERTICAL CROSS SECTION
METAL STRUCTURE INSTALLATION

- NOTES:**
- INTERIOR AND EXTERIOR FINISHES, BY OTHERS, NOT SHOWN FOR CLARITY.
 - PERIMETER AND JOINT SEALANT BY OTHERS TO BE DESIGNED IN ACCORDANCE WITH ASTM E2112

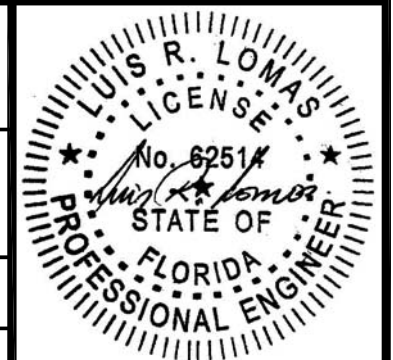
SIGNED: 03/08/2017

NAN YA PLASTICS CORP. USA
8989 NORTH LOOP EAST
HOUSTON, TX 77029

SERIES SLPS INSWING GLAZED FIBERGLASS
SIDE-HINGED PATIO DOOR – IMPACT
SIDELITE INSTALLATION DETAILS

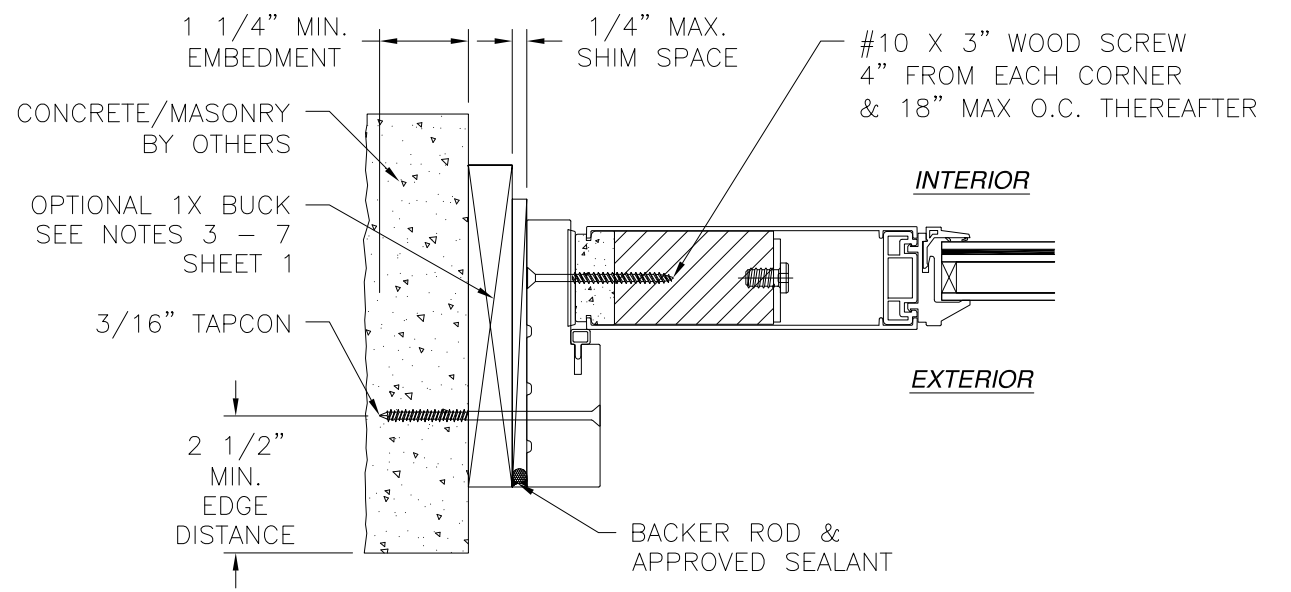
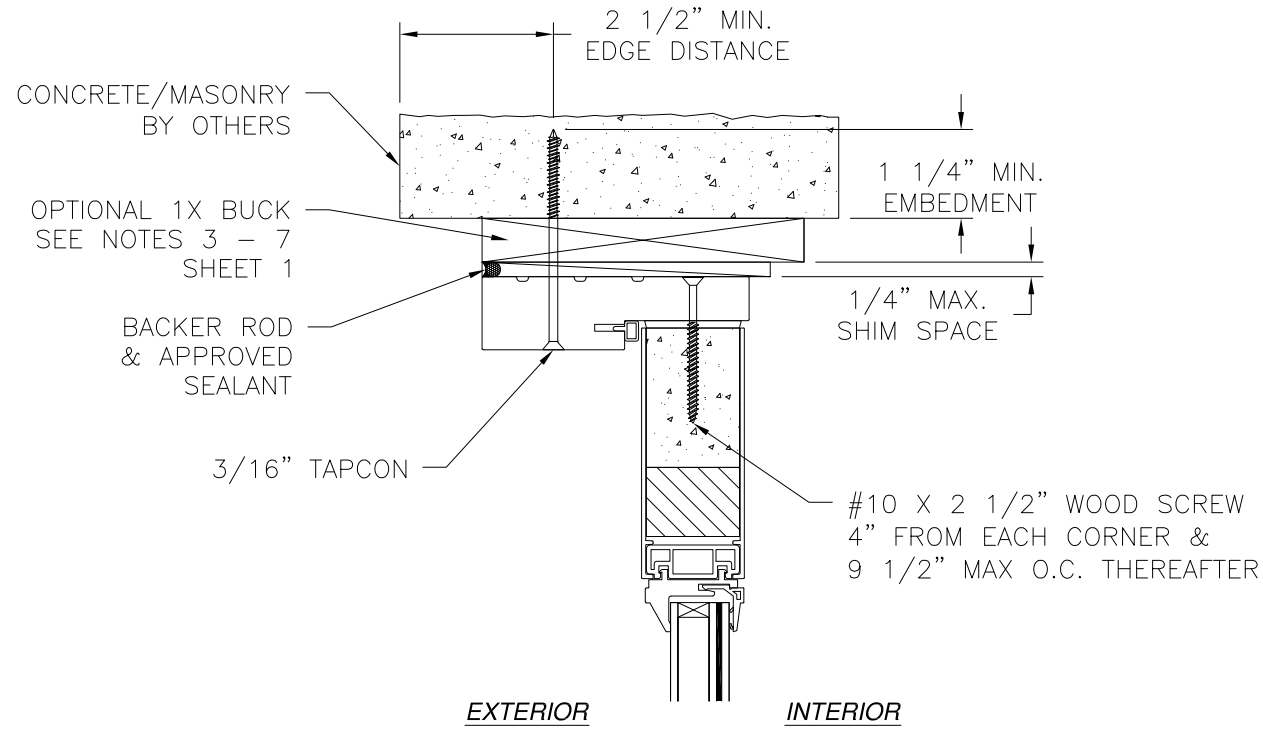
DRAWN: V.L.	DWG NO. 08-02976	REV -
SCALE NTS	DATE 01/10/17	SHEET 7 OF 9

L. ROBERTO LOMAS P.E.
1432 WOODFORD RD LEWISVILLE, NC 27023
434-688-0609 rllomas@rlomaspe.com

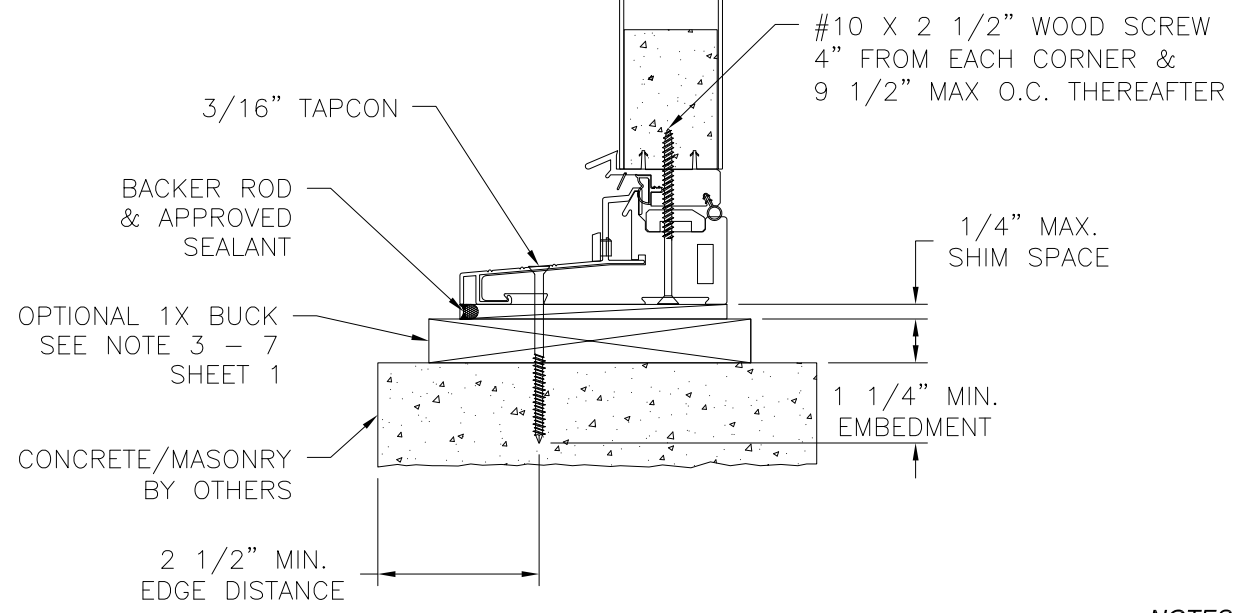


Luis R. Lomas P.E.
FL No.: 62514

REVISIONS			
REV	DESCRIPTION	DATE	APPROVED



JAMB INSTALLATION DETAIL
CONCRETE/MASONRY INSTALLATION



VERTICAL CROSS SECTION
CONCRETE/MASONRY INSTALLATION

- NOTES:**
1. INTERIOR AND EXTERIOR FINISHES, BY OTHERS, NOT SHOWN FOR CLARITY.
 2. PERIMETER AND JOINT SEALANT BY OTHERS TO BE DESIGNED IN ACCORDANCE WITH ASTM E2112

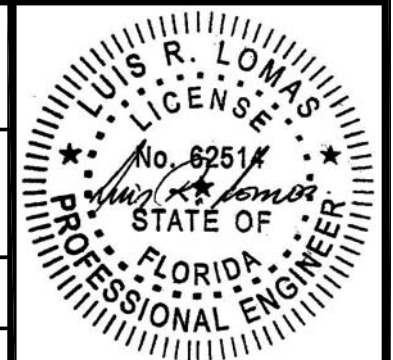
NAN YA PLASTICS CORP. USA
8989 NORTH LOOP EAST
HOUSTON, TX 77029

SERIES SLPS INSWING GLAZED FIBERGLASS
SIDE-HINGED PATIO DOOR – IMPACT
SIDELITE INSTALLATION DETAILS

DRAWN: V.L.	DWG NO. 08-02976	REV -
SCALE NTS	DATE 01/10/17	SHEET 8 OF 9

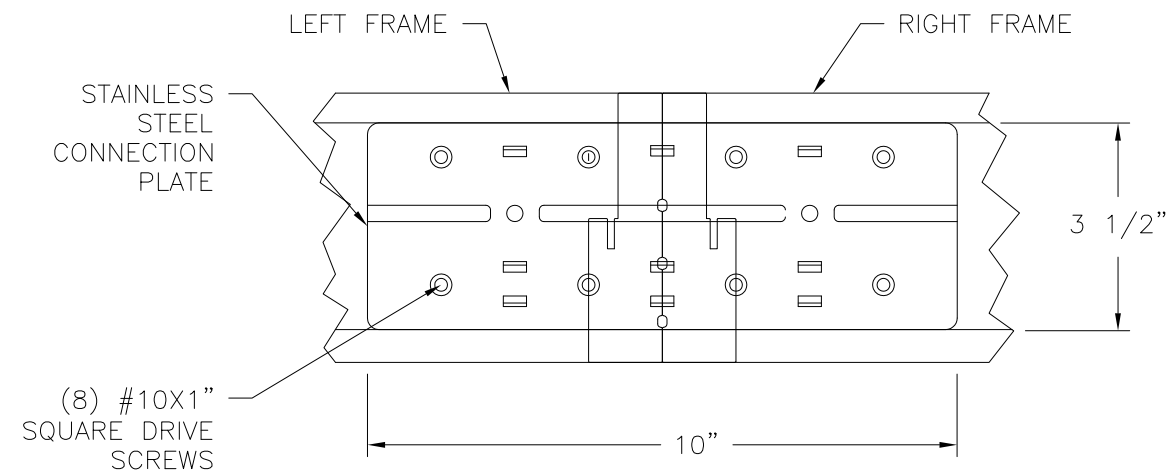
L. ROBERTO LOMAS P.E.
1432 WOODFORD RD LEWISVILLE, NC 27023
434-688-0609 rllomas@rlomaspe.com

SIGNED: 03/08/2017



Luis R. Lomas P.E.
FL No.: 62514

REVISIONS			
REV	DESCRIPTION	DATE	APPROVED



FRAME CONNECTION DETAIL

SIGNED: 03/08/2017

NAN YA PLASTICS CORP. USA 8989 NORTH LOOP EAST HOUSTON, TX 77029		
SERIES SLPS INSWING GLAZED FIBERGLASS SIDE-HINGED PATIO DOOR - IMPACT CONNECTION DETAIL		
DRAWN: V.L.	DWG NO. 08-02976	REV -
SCALE NTS	DATE 01/10/17	SHEET 9 OF 9
L. ROBERTO LOMAS P.E. 1432 WOODFORD RD LEWISVILLE, NC 27023 434-688-0609 rllomas@lrlomaspe.com		



Luis R. Lomas P.E.
 FL No.: 62514