

REVISIONS			
REV	DESCRIPTION	DATE	APPROVED

NOTES:


1. THE PRODUCT SHOWN HEREIN IS DESIGNED AND MANUFACTURED TO COMPLY WITH REQUIREMENTS OF THE FLORIDA BUILDING CODE.
2. WOOD FRAMING AND MASONRY OPENING TO BE DESIGNED AND ANCHORED TO PROPERLY TRANSFER ALL LOADS TO STRUCTURE. FRAMING AND MASONRY OPENING IS THE RESPONSIBILITY OF THE ARCHITECT OR ENGINEER OF RECORD.
3. 1X BUCK OVER MASONRY/CONCRETE IS OPTIONAL.
4. WHERE SHIM OR BUCK THICKNESS IS LESS THAN 1-1/2" FENESTRATION UNITS MUST BE ANCHORED THROUGH THE FRAME IN ACCORDANCE WITH MANUFACTURER'S PUBLISHED INSTALLATION INSTRUCTIONS. ANCHORS SHALL BE SECURELY FASTENED DIRECTLY INTO MASONRY, CONCRETE OR OTHER STRUCTURAL SUBSTRATE MATERIAL.
5. WHERE WOOD BUCK THICKNESS IS 1-1/2" OR GREATER, BUCK SHALL BE SECURELY FASTENED TO MASONRY, CONCRETE OR OTHER STRUCTURAL SUBSTRATE. FENESTRATION UNITS MAY BE ANCHORED THROUGH FRAME TO SECURED WOOD BUCK IN ACCORDANCE WITH MANUFACTURER'S PUBLISHED INSTALLATION INSTRUCTIONS.
6. WHERE 1X BUCK IS NOT USED DISSIMILAR MATERIALS MUST BE SEPARATED WITH APPROVED COATING OR MEMBRANE. SELECTION OF COATING OR MEMBRANE IS THE RESPONSIBILITY OF THE ARCHITECT OR ENGINEER OF RECORD.
7. BUCKS SHALL EXTEND BEYOND WINDOW INTERIOR FACE SO THAT FULL FRAME SUPPORT IS PROVIDED.
8. SHIM AS REQUIRED AT EACH ANCHOR LOCATION WITH LOAD BEARING SHIM. SHIM WHERE SPACE OF 1/16" OR GREATER OCCURS. MAXIMUM ALLOWABLE SHIM STACK TO BE 1/4".
9. SHIMS SHALL BE LOCATED, APPLIED AND MADE FROM MATERIALS AND THICKNESS CAPABLE OF SUSTAINING APPLICABLE LOADS.
10. WIND LOAD DURATION FACTOR Cd=1.6 WAS USED FOR WOOD ANCHOR CALCULATIONS.
11. FRAME MATERIAL: FOAM PVC CO-EX.
12. UNITS MUST BE GLAZED PER ASTM E1300-04/09, SEE SHEET 2 FOR DETAILS.
13. APPROVED IMPACT PROTECTIVE SYSTEM IS NOT REQUIRED FOR THIS PRODUCT IN WIND BORNE DEBRIS REGIONS.
14. FOR ANCHORING THROUGH FRAME INTO WOOD FRAMING OR 2X BUCK USE #10 WOOD SCREWS WITH SUFFICIENT LENGTH TO ACHIEVE A 1 1/4" MINIMUM EMBEDMENT INTO SUBSTRATE. LOCATE ANCHORS AS SHOWN IN ELEVATIONS AND INSTALLATION DETAILS.

15. FOR ANCHORING THROUGH FRAME INTO MASONRY/CONCRETE USE 3/16" TAPCONS WITH SUFFICIENT LENGTH TO ACHIEVE A 1 1/4" MINIMUM EMBEDMENT INTO SUBSTRATE WITH 2 1/2" MINIMUM EDGE DISTANCE. LOCATE ANCHORS AS SHOWN IN ELEVATIONS AND INSTALLATION DETAILS.
16. FOR ANCHORING THROUGH FRAME INTO METAL STRUCTURE USE #10 SMS OR SELF DRILLING SCREWS WITH SUFFICIENT LENGTH TO ACHIEVE 3 THREADS MINIMUM BEYOND STRUCTURE INTERIOR WALL. LOCATE ANCHORS AS SHOWN IN ELEVATIONS AND INSTALLATION DETAILS.
17. ALL FASTENERS TO BE CORROSION RESISTANT.
18. INSTALLATION ANCHORS SHALL BE INSTALLED IN ACCORDANCE WITH ANCHOR MANUFACTURER'S INSTALLATION INSTRUCTIONS AND ANCHORS SHALL NOT BE USED IN SUBSTRATES WITH STRENGTHS LESS THAN THE MINIMUM STRENGTH SPECIFIED BELOW:
 - A. WOOD: MINIMUM SPECIFIC GRAVITY OF G=0.42
 - B. CONCRETE: MINIMUM COMPRESSIVE STRENGTH OF 2,000 PSI.
 - C. MASONRY: HOLLOW/FILLED BLOCK PER ASTM C90 WITH Fm=2,000PSI MINIMUM.
 - D. METAL STRUCTURE: STEEL 18GA FY=33KSI/FU=52KSI OR ALUMINUM 6063-T5 FU=30KSI .048" THICK MINIMUM
19. APPROVED CONFIGURATIONS: OXX/O, O/OXX, XXO/O, O/XXO, XX/O, O/XX, OX/O, O/OX, XO/O, O/XO, X/O, O/X, XX, X.

SIGNED: 06/14/2017

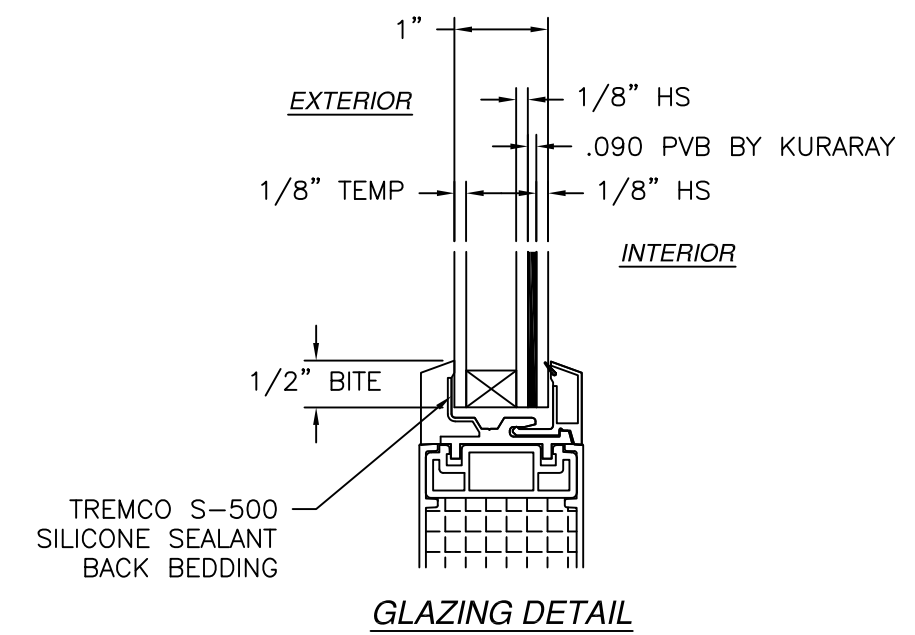
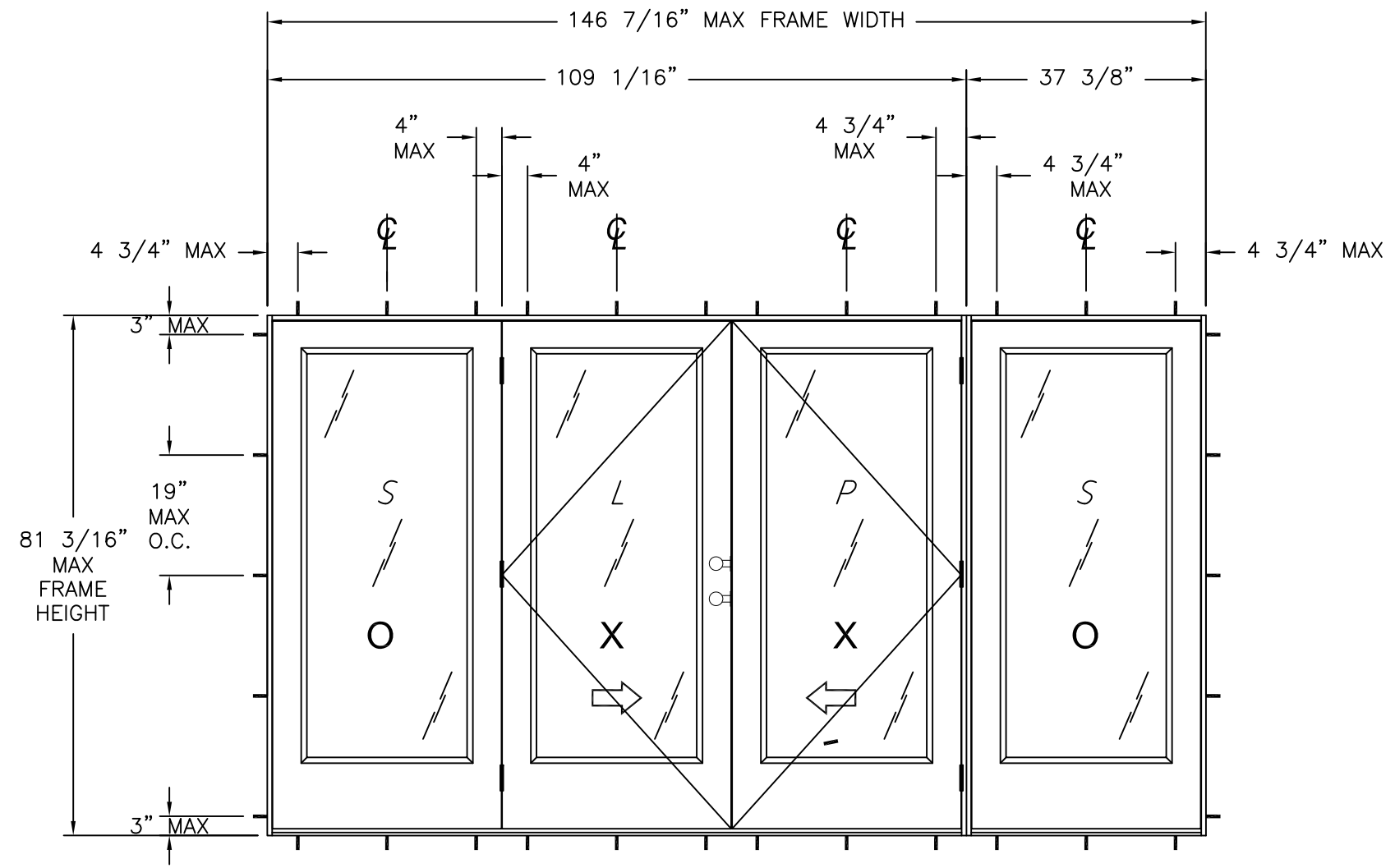
TABLE OF CONTENTS	
SHEET NO.	DESCRIPTION
1	NOTES
2	ELEVATION
3 - 8	INSTALLATION DETAILS
9	COMPONENTS

NAN YA PLASTICS CORP. USA 8989 NORTH LOOP EAST, SUITE 800 HOUSTON, TX 77029		
SERIES SLPS OUTSWING GLAZED FIBERGLASS SIDE-HINGED PATIO DOOR - IMPACT NOTES		
DRAWN: A.R.	DWG NO. 08-03124	REV -
SCALE NTS	DATE 06/13/17	SHEET 1 OF 9
L. ROBERTO LOMAS P.E. 1432 WOODFORD RD LEWISVILLE, NC 27023 434-688-0609 rllomas@lrlomaspe.com		



Luis R. Lomas P.E.
FL No.: 62514

REVISIONS		DATE	APPROVED
REV	DESCRIPTION		



SERIES SLPS OS GLAZED FIBERGLASS SIDE-HINGED PATIO DOOR - IMPACT
EXTERIOR VIEW

DESIGN PRESSURE RATING	IMPACT RATING
±50PSF	LARGE MISSILE IMPACT

MISSILE LEVEL D, WIND ZONE 4

- NOTES:
1. MAXIMUM DOOR PANEL SIZE: 35 3/4" X 79 1/4"
 2. MAXIMUM DOOR D.L.O.: 25" X 63"

HARDWARE SCHEDULE	
A.	(1) HANDLE SETS AT ACTIVE PANELS 56 1/2" FROM FRAME HEAD
B.	(1) TOP/BOTTOM BAR KEEPER AT FRAME HEAD AND SILL
C.	(1) DOOR DEADBOLT WITH KEEPER
D.	(1) DOOR LATCH WITH KEEPER
E.	(1) FLUSH BOLT BAR
F.	(1) DRIVE BAR PLATE

SIGNED: 06/14/2017

NAN YA PLASTICS CORP. USA
8989 NORTH LOOP EAST, SUITE 800
HOUSTON, TX 77029

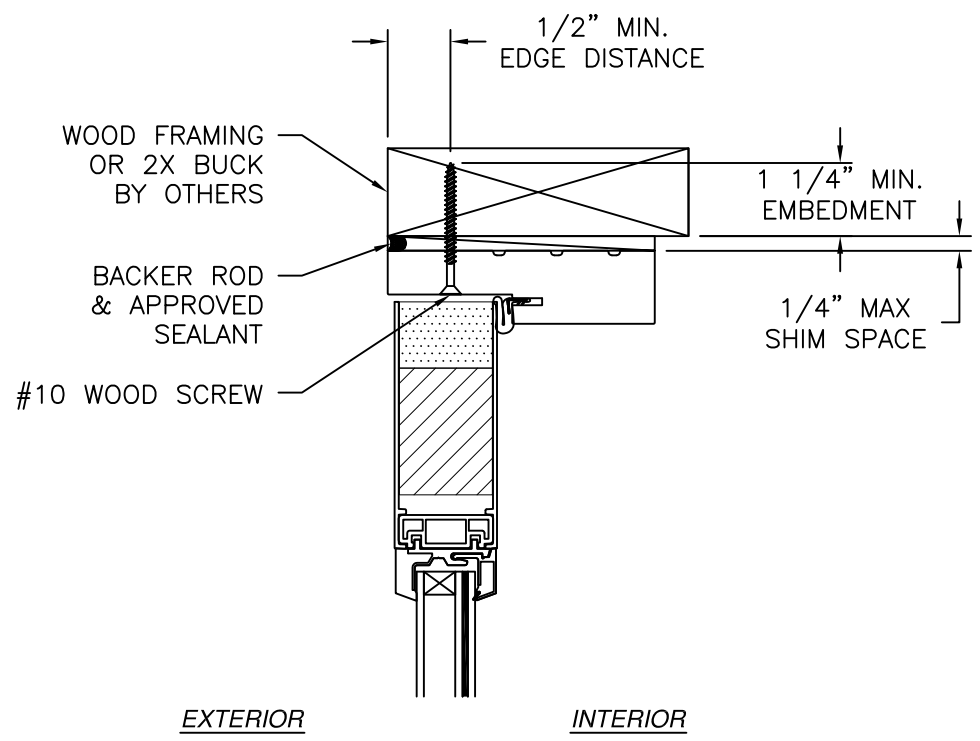
SERIES SLPS OUTSWING GLAZED FIBERGLASS
SIDE-HINGED PATIO DOOR - IMPACT
ELEVATION

DRAWN: A.R.	DWG NO. 08-03124	REV -
SCALE NTS	DATE 06/13/17	SHEET 2 OF 9

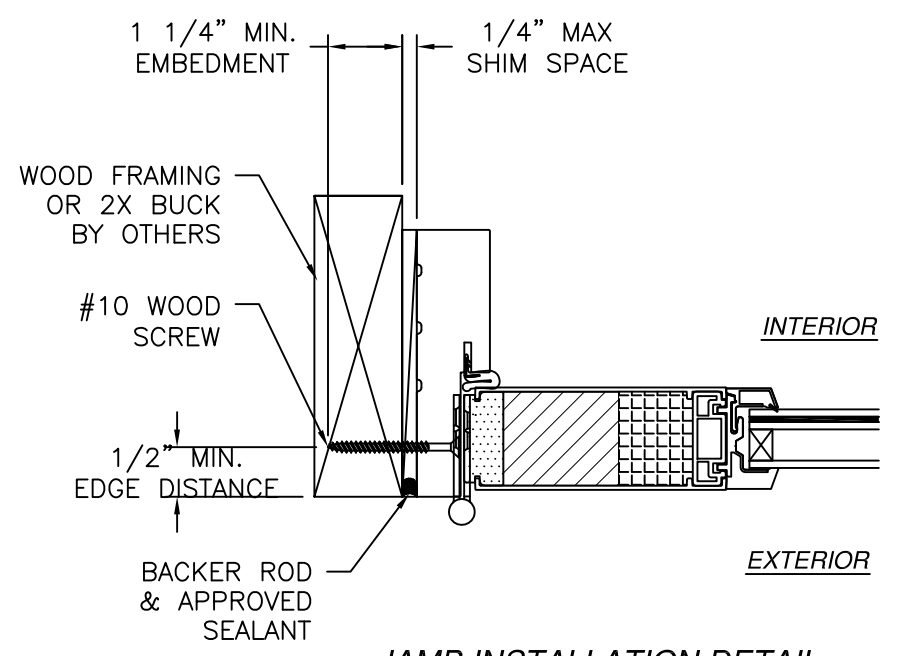
L. ROBERTO LOMAS P.E.
1432 WOODFORD RD LEWISVILLE, NC 27023
434-688-0609 rllomas@lrlomaspe.com

Luis R. Lomas P.E.
FL No.: 62514

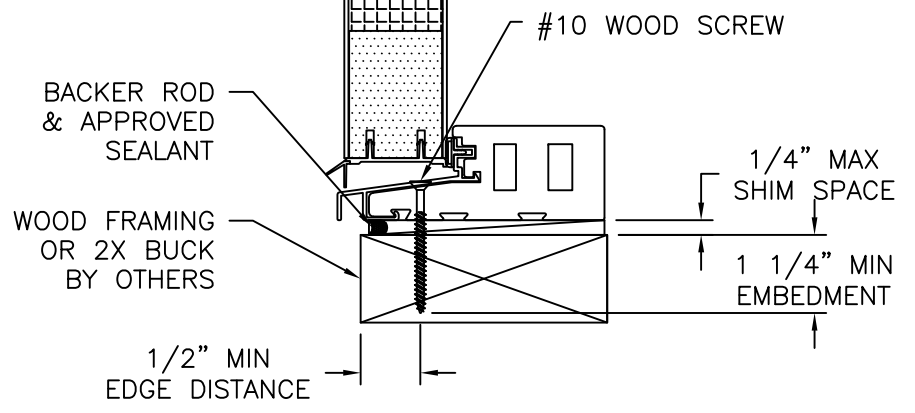
REVISIONS			
REV	DESCRIPTION	DATE	APPROVED



EXTERIOR INTERIOR



JAMB INSTALLATION DETAIL
WOOD FRAMING OR 2X BUCK INSTALLATION



VERTICAL CROSS SECTION
WOOD FRAMING OR 2X BUCK INSTALLATION

- NOTES:
1. INTERIOR AND EXTERIOR FINISHES, BY OTHERS, NOT SHOWN FOR CLARITY.
 2. PERIMETER AND JOINT SEALANT BY OTHERS TO BE DESIGNED IN ACCORDANCE WITH ASTM E2112

SIGNED: 06/14/2017

NAN YA PLASTICS CORP. USA
8989 NORTH LOOP EAST, SUITE 800
HOUSTON, TX 77029

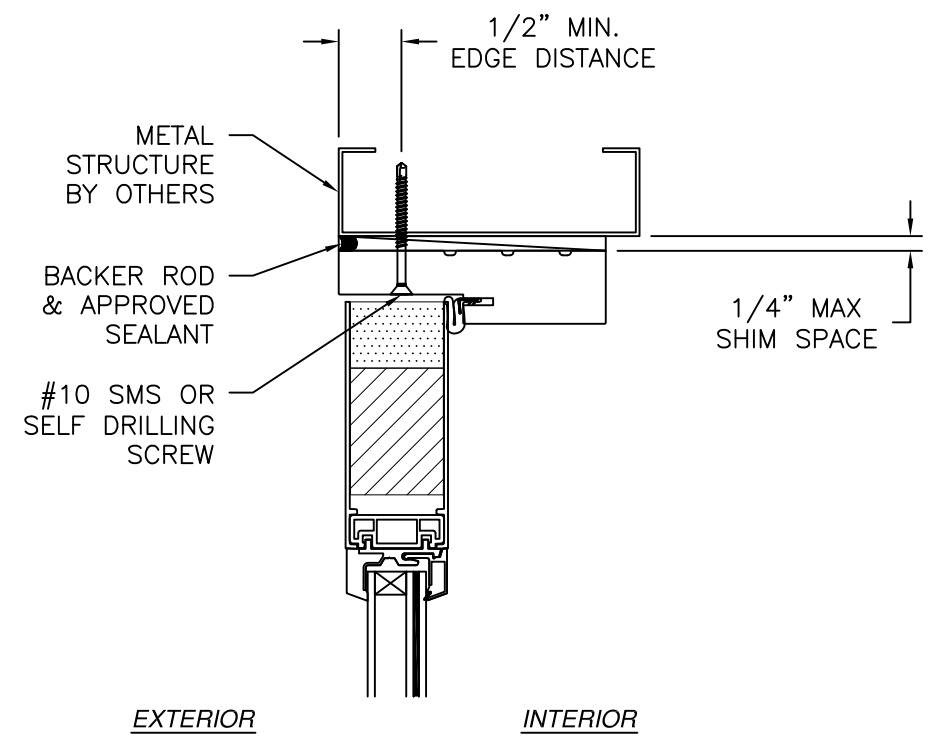
SERIES SLPS OUTSWING GLAZED FIBERGLASS
SIDE-HINGED PATIO DOOR - IMPACT
DOOR INSTALLATION DETAILS

DRAWN: A.R.	DWG NO. 08-03124	REV -
SCALE NTS	DATE 06/13/17	SHEET 3 OF 9

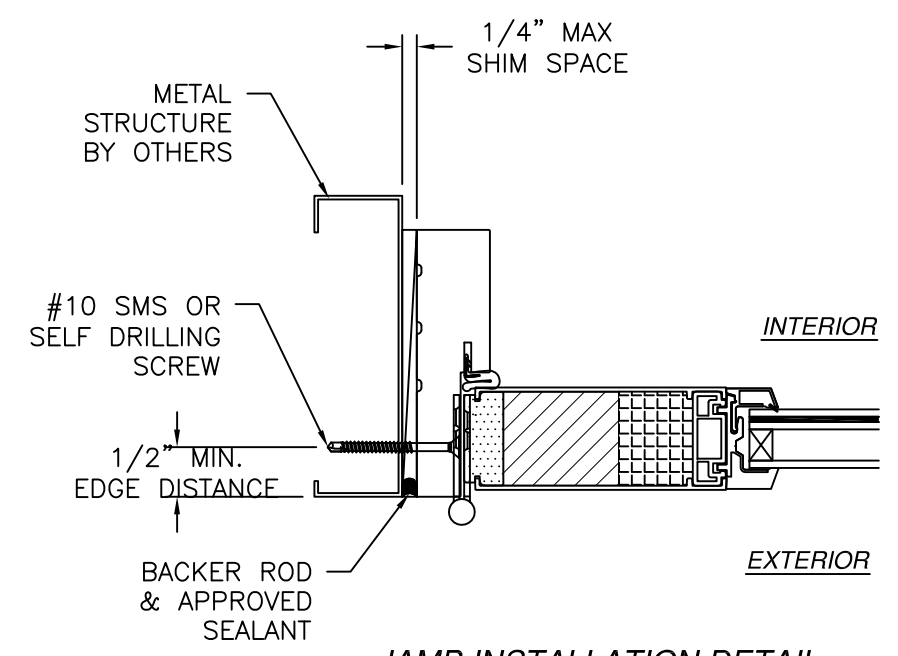
L. ROBERTO LOMAS P.E.
1432 WOODFORD RD LEWISVILLE, NC 27023
434-688-0609 rllomas@rlomaspe.com

Luis R. Lomas P.E.
FL No.: 62514

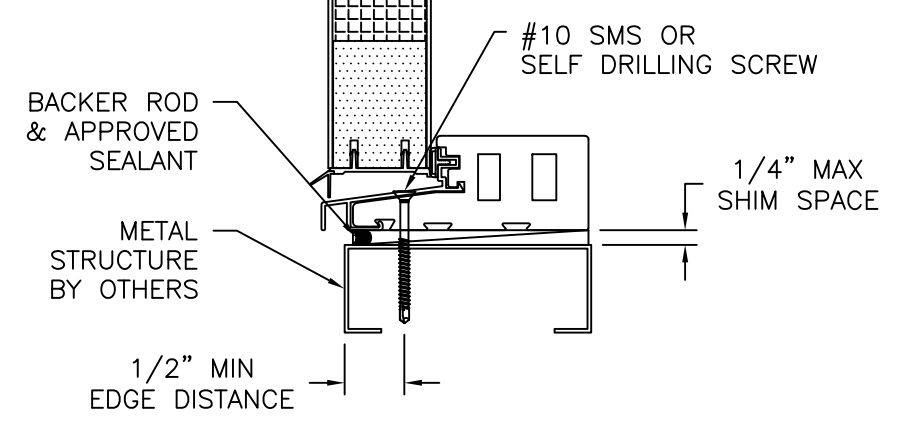
REVISIONS			
REV	DESCRIPTION	DATE	APPROVED



EXTERIOR INTERIOR



JAMB INSTALLATION DETAIL
METAL STRUCTURE INSTALLATION



VERTICAL CROSS SECTION
METAL STRUCTURE INSTALLATION

- NOTES:
1. INTERIOR AND EXTERIOR FINISHES, BY OTHERS, NOT SHOWN FOR CLARITY.
 2. PERIMETER AND JOINT SEALANT BY OTHERS TO BE DESIGNED IN ACCORDANCE WITH ASTM E2112

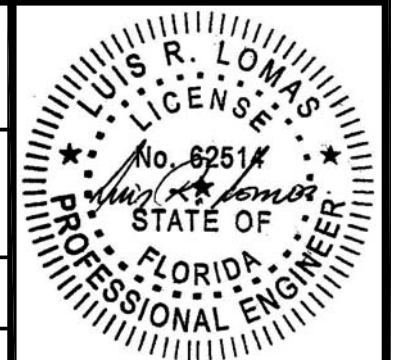
NAN YA PLASTICS CORP. USA
8989 NORTH LOOP EAST, SUITE 800
HOUSTON, TX 77029

SERIES SLPS OUTSWING GLAZED FIBERGLASS
SIDE-HINGED PATIO DOOR - IMPACT
DOOR INSTALLATION DETAILS

DRAWN: A.R.	DWG NO. 08-03124	REV -
SCALE NTS	DATE 06/13/17	SHEET 4 OF 9

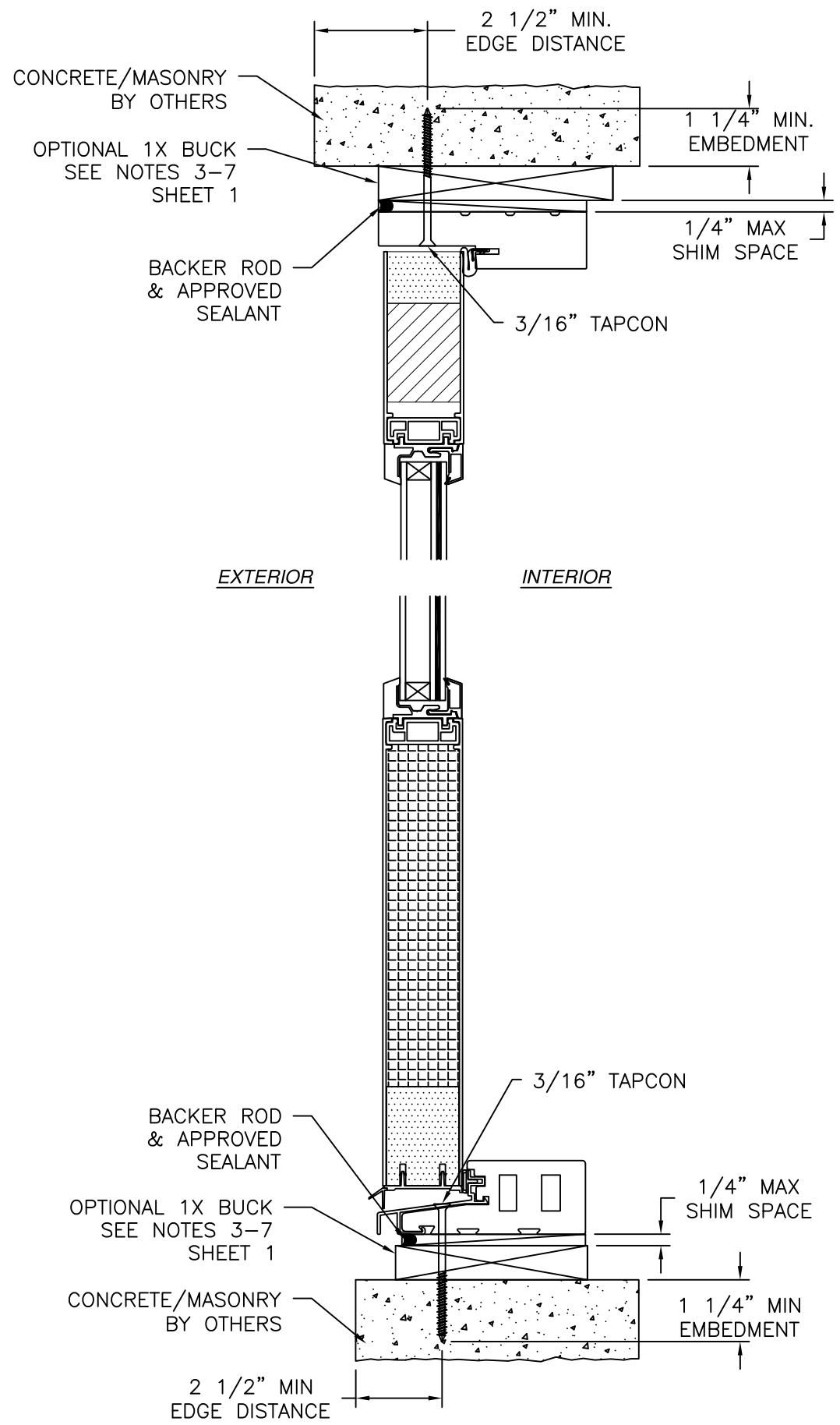
L. ROBERTO LOMAS P.E.
1432 WOODFORD RD LEWISVILLE, NC 27023
434-688-0609 rllomas@lrlomaspe.com

SIGNED: 06/14/2017

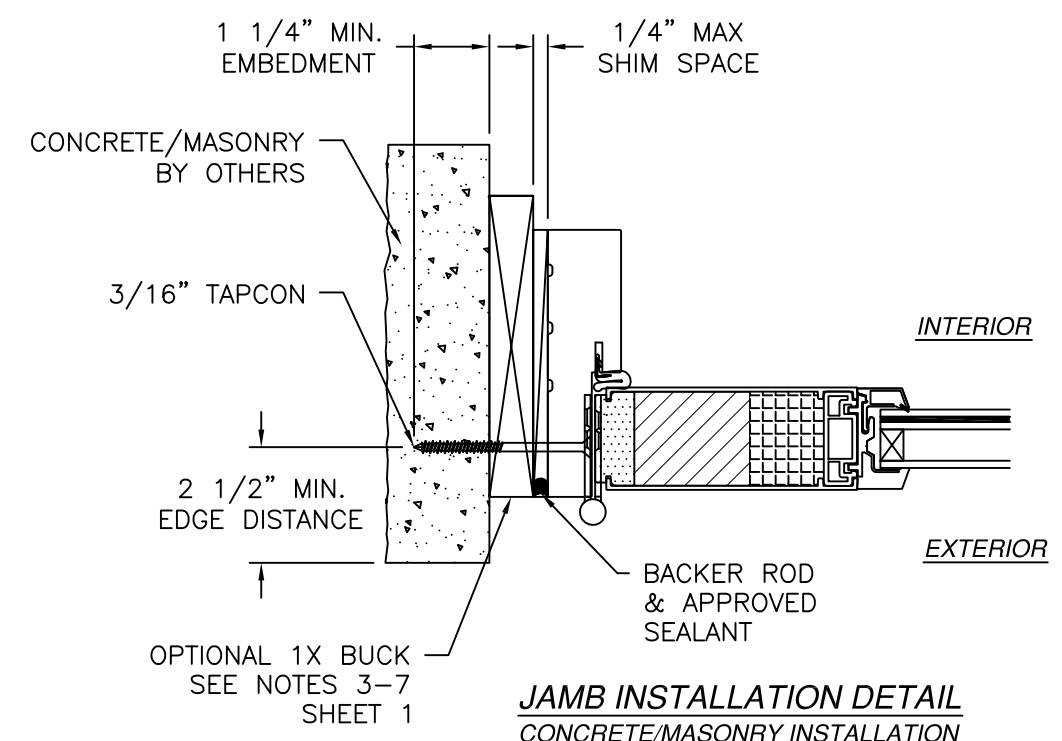


Luis R. Lomas P.E.
FL No.: 62514

REVISIONS			
REV	DESCRIPTION	DATE	APPROVED



**VERTICAL CROSS SECTION
CONCRETE/MASONRY INSTALLATION**



**JAMB INSTALLATION DETAIL
CONCRETE/MASONRY INSTALLATION**

- NOTES:**
1. INTERIOR AND EXTERIOR FINISHES, BY OTHERS, NOT SHOWN FOR CLARITY.
 2. PERIMETER AND JOINT SEALANT BY OTHERS TO BE DESIGNED IN ACCORDANCE WITH ASTM E2112

NAN YA PLASTICS CORP. USA
 8989 NORTH LOOP EAST, SUITE 800
 HOUSTON, TX 77029

**SERIES SLPS OUTSWING GLAZED FIBERGLASS
 SIDE-HINGED PATIO DOOR - IMPACT
 DOOR INSTALLATION DETAILS**

DRAWN: A.R.	DWG NO. 08-03124	REV -
SCALE NTS	DATE 06/13/17	SHEET 5 OF 9

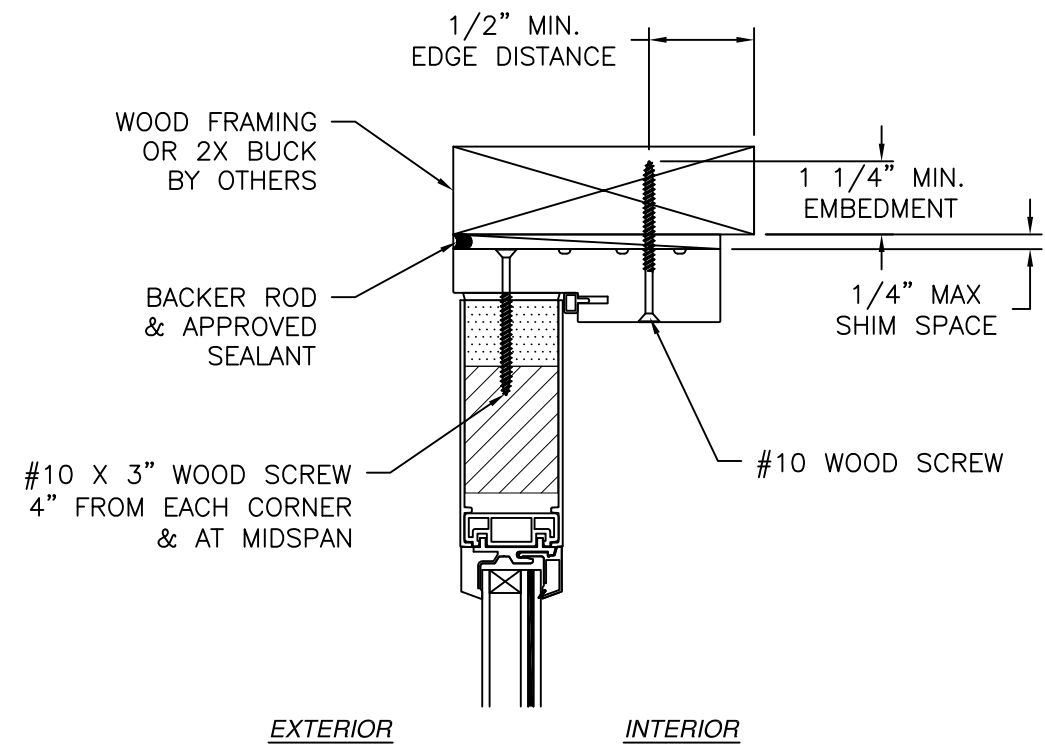
L. ROBERTO LOMAS P.E.
 1432 WOODFORD RD LEWISVILLE, NC 27023
 434-688-0609 rllomas@rlomaspe.com

SIGNED: 06/14/2017

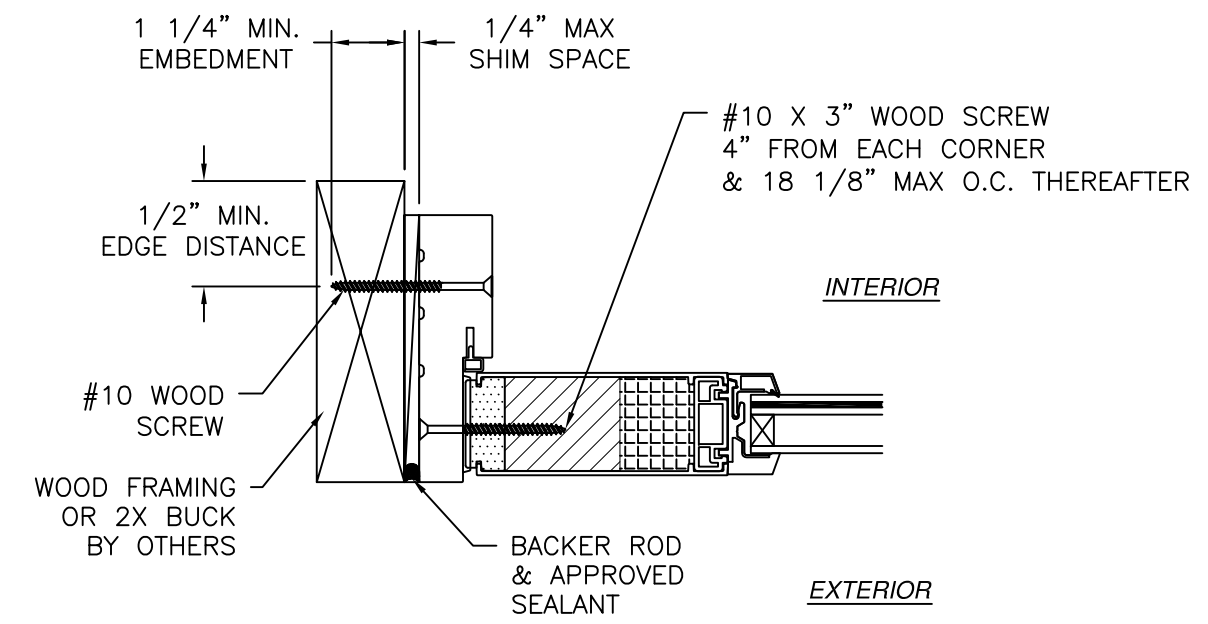


Luis R. Lomas P.E.
 FL No.: 62514

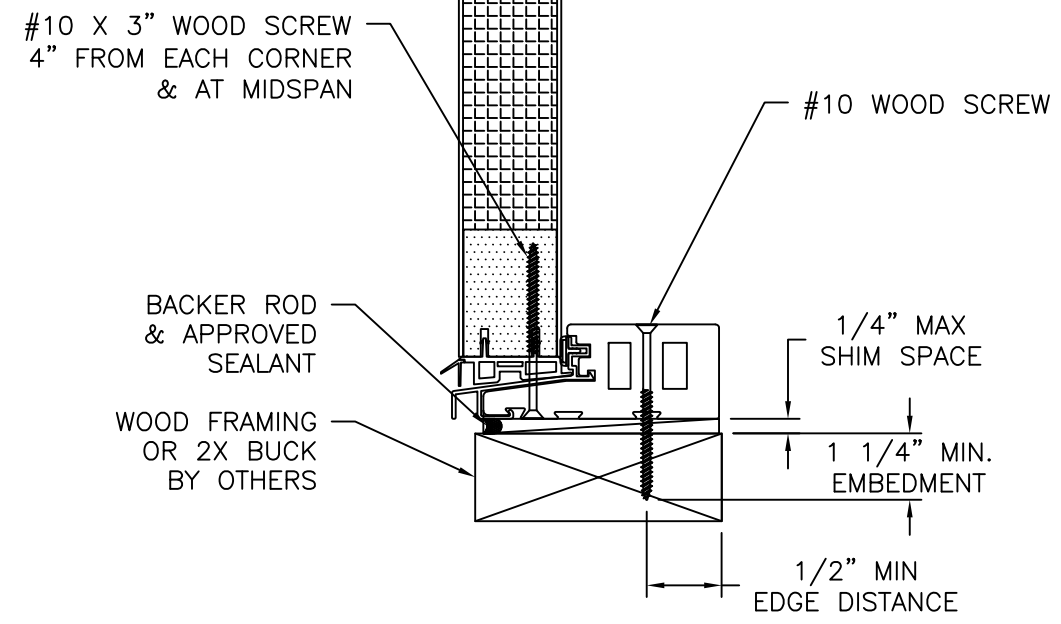
REVISIONS			
REV	DESCRIPTION	DATE	APPROVED



EXTERIOR INTERIOR



JAMB INSTALLATION DETAIL
WOOD FRAMING OR 2X BUCK INSTALLATION

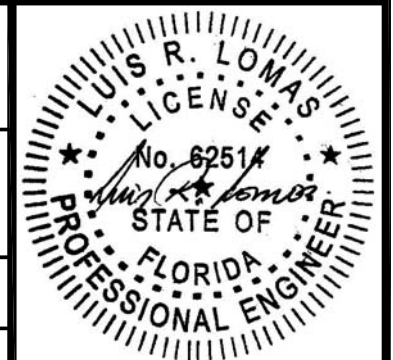


VERTICAL CROSS SECTION
WOOD FRAMING OR 2X BUCK INSTALLATION

- NOTES:
1. INTERIOR AND EXTERIOR FINISHES, BY OTHERS, NOT SHOWN FOR CLARITY.
 2. PERIMETER AND JOINT SEALANT BY OTHERS TO BE DESIGNED IN ACCORDANCE WITH ASTM E2112

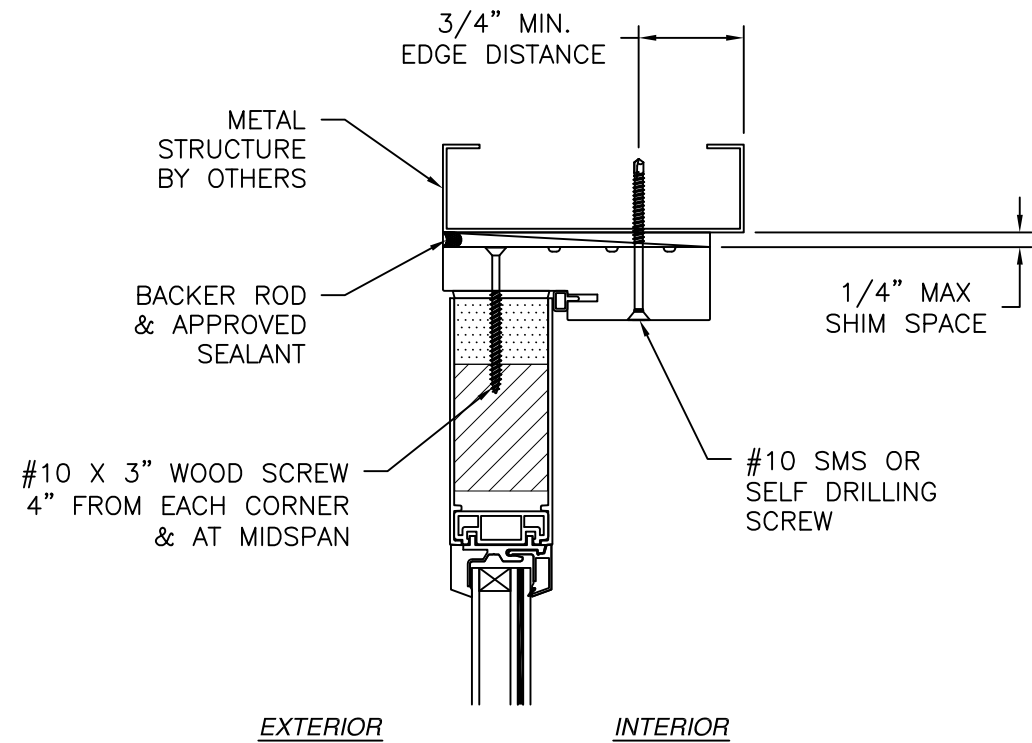
SIGNED: 06/14/2017

<p>NAN YA PLASTICS CORP. USA 8989 NORTH LOOP EAST, SUITE 800 HOUSTON, TX 77029</p>		
<p>SERIES SLPS OUTSWING GLAZED FIBERGLASS SIDE-HINGED PATIO DOOR - IMPACT SIDELITE INSTALLATION DETAILS</p>		
DRAWN: A.R.	DWG NO. 08-03124	REV -
SCALE NTS	DATE 06/13/17	SHEET 6 OF 9
<p>L. ROBERTO LOMAS P.E. 1432 WOODFORD RD LEWISVILLE, NC 27023 434-688-0609 rllomas@rlomaspe.com</p>		

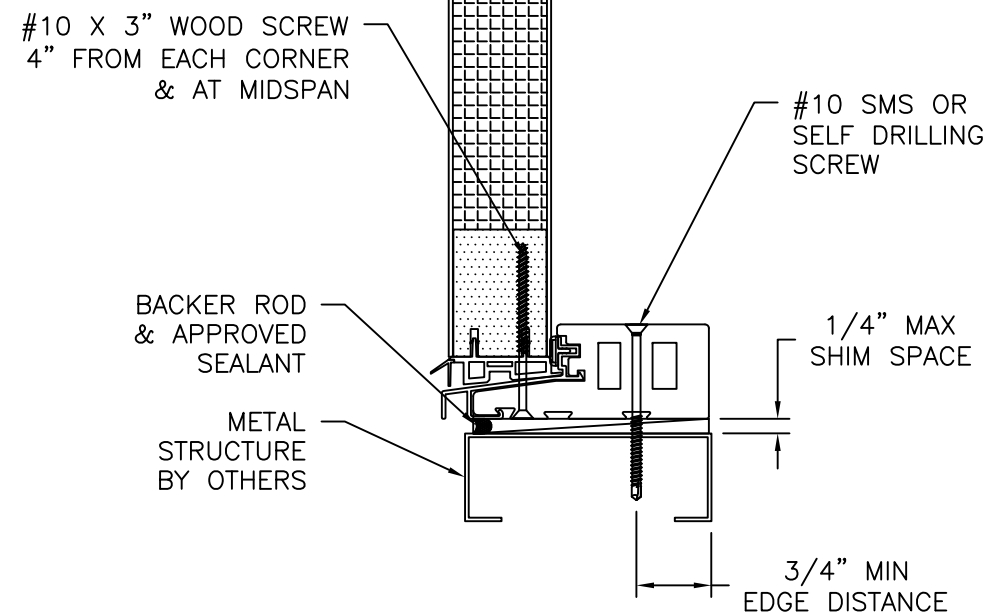


Luis R. Lomas P.E.
FL No.: 62514

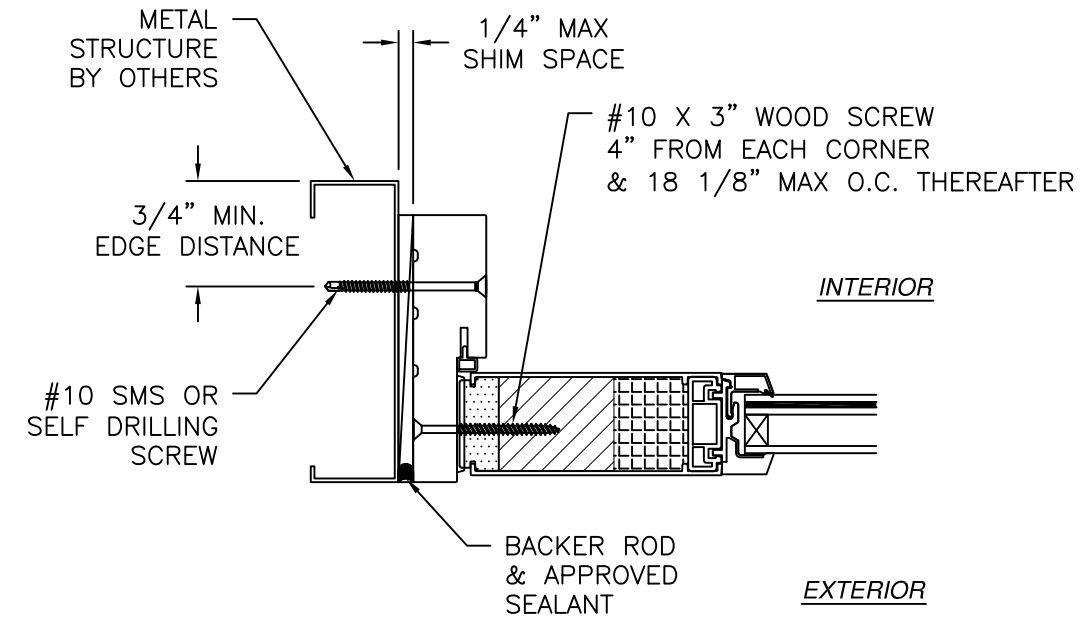
REVISIONS			
REV	DESCRIPTION	DATE	APPROVED



EXTERIOR INTERIOR



VERTICAL CROSS SECTION
METAL STRUCTURE INSTALLATION



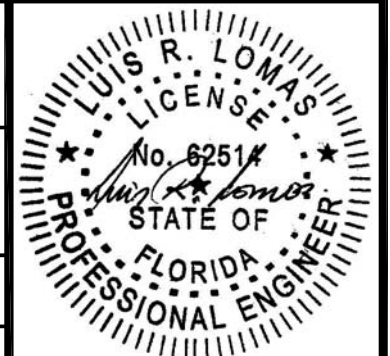
JAMB INSTALLATION DETAIL
METAL STRUCTURE INSTALLATION

NOTES:

1. INTERIOR AND EXTERIOR FINISHES, BY OTHERS, NOT SHOWN FOR CLARITY.
2. PERIMETER AND JOINT SEALANT BY OTHERS TO BE DESIGNED IN ACCORDANCE WITH ASTM E2112

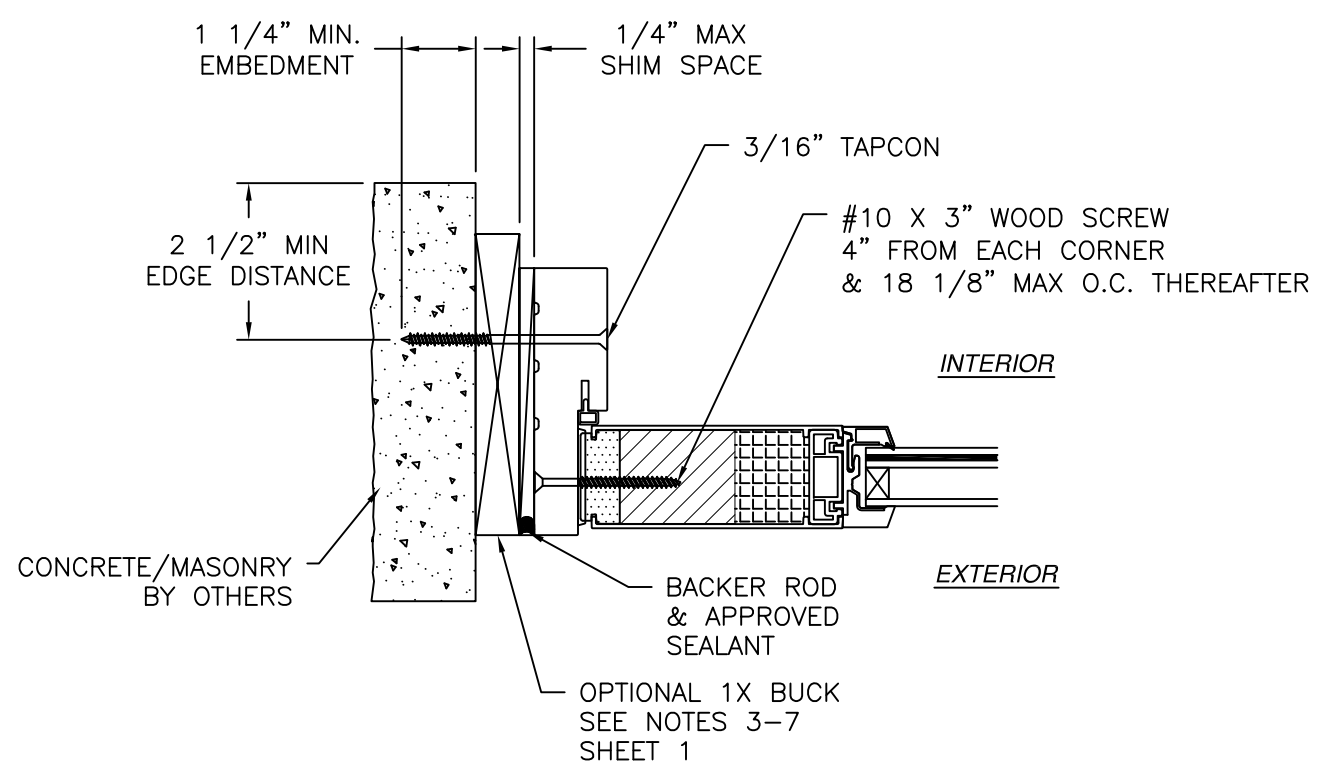
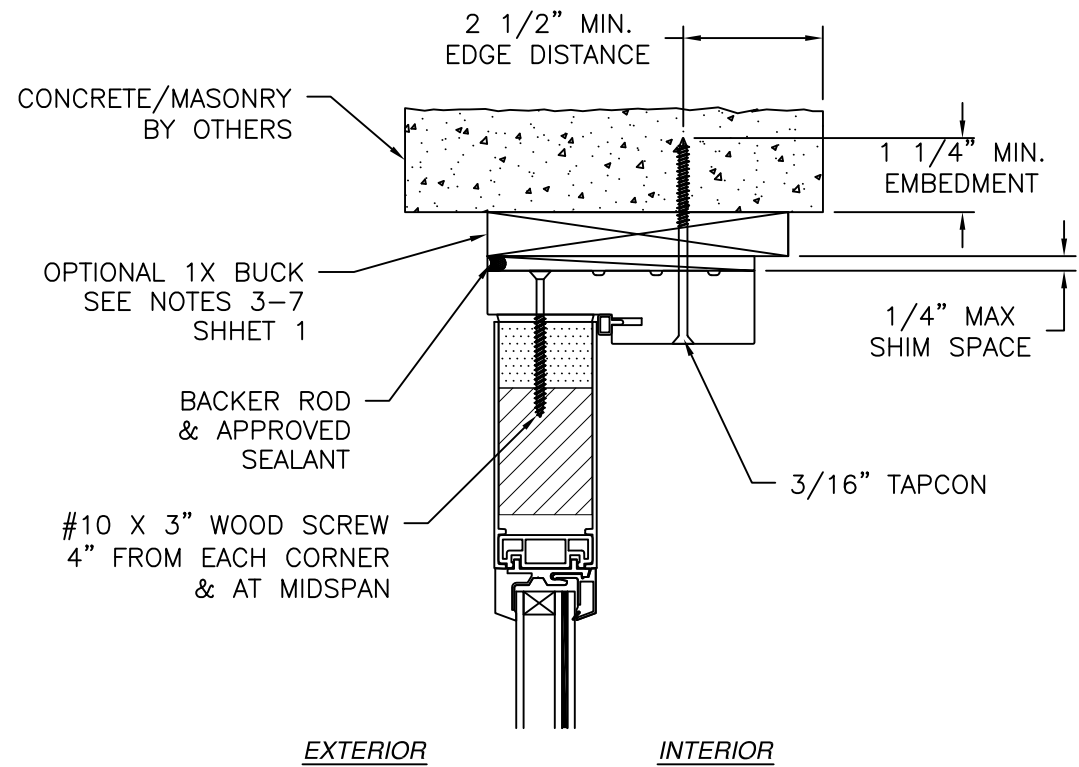
SIGNED: 06/14/2017

<p>NAN YA PLASTICS CORP. USA 8989 NORTH LOOP EAST, SUITE 800 HOUSTON, TX 77029</p>		
<p>SERIES SLPS OUTSWING GLAZED FIBERGLASS SIDE-HINGED PATIO DOOR - IMPACT SIDELITE INSTALLATION DETAILS</p>		
DRAWN: A.R.	DWG NO. 08-03124	REV -
SCALE NTS	DATE 06/13/17	SHEET 7 OF 9
<p>L. ROBERTO LOMAS P.E. 1432 WOODFORD RD LEWISVILLE, NC 27023 434-688-0609 rllomas@rlomaspe.com</p>		

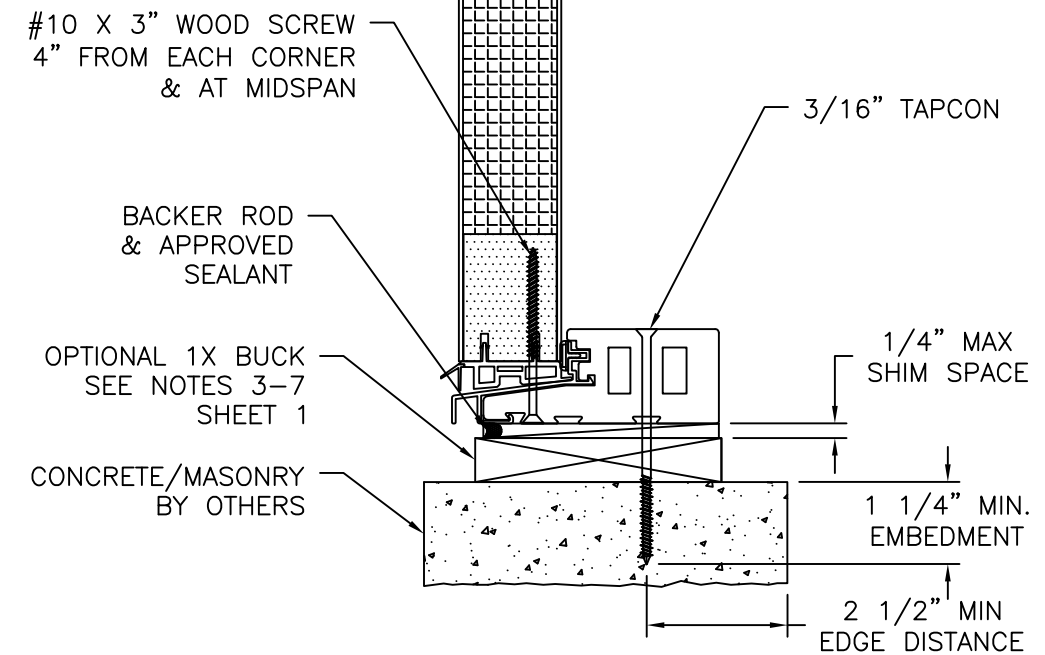


Luis R. Lomas P.E.
FL No.: 62514

REVISIONS			
REV	DESCRIPTION	DATE	APPROVED



JAMB INSTALLATION DETAIL
CONCRETE/MASONRY INSTALLATION

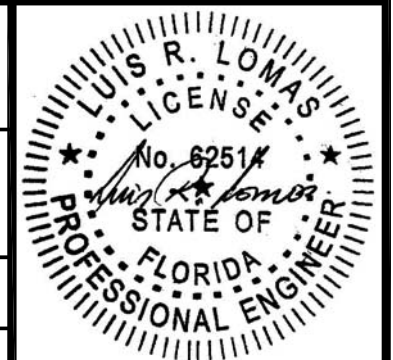


VERTICAL CROSS SECTION
CONCRETE/MASONRY INSTALLATION

- NOTES:**
1. INTERIOR AND EXTERIOR FINISHES, BY OTHERS, NOT SHOWN FOR CLARITY.
 2. PERIMETER AND JOINT SEALANT BY OTHERS TO BE DESIGNED IN ACCORDANCE WITH ASTM E2112

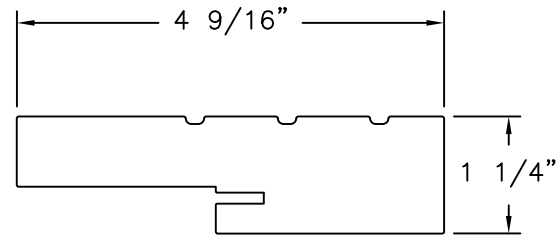
SIGNED: 06/14/2017

<p>NAN YA PLASTICS CORP. USA 8989 NORTH LOOP EAST, SUITE 800 HOUSTON, TX 77029</p>		
<p>SERIES SLPS OUTSWING GLAZED FIBERGLASS SIDE-HINGED PATIO DOOR - IMPACT SIDELITE INSTALLATION DETAILS</p>		
DRAWN: A.R.	DWG NO. 08-03124	REV -
SCALE NTS	DATE 06/13/17	SHEET 8 OF 9
<p>L. ROBERTO LOMAS P.E. 1432 WOODFORD RD LEWISVILLE, NC 27023 434-688-0609 rllomas@rlomaspe.com</p>		

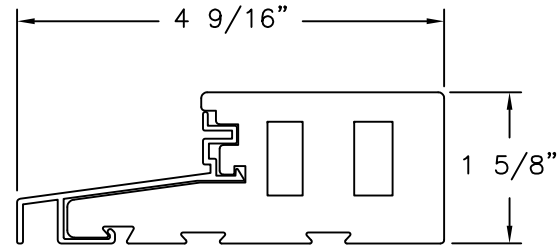


Luis R. Lomas P.E.
FL No.: 62514

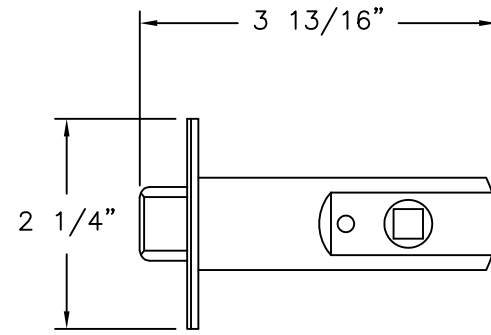
REVISIONS		DATE	APPROVED
REV	DESCRIPTION		



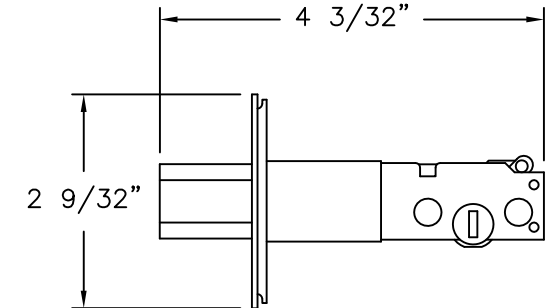
HEAD FRAME & JAMB
FOAM PVC CO-EX



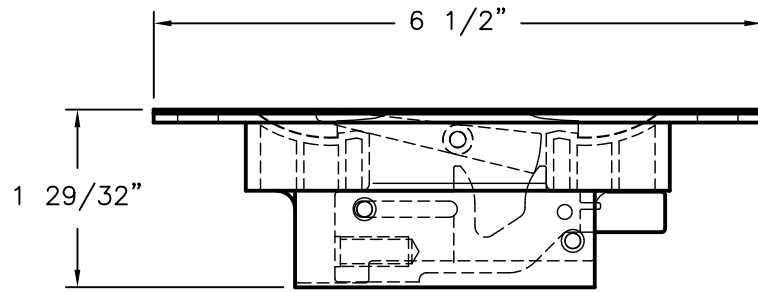
OUTSWING SILL
FOAM PVC CO-EX & ALUMINUM



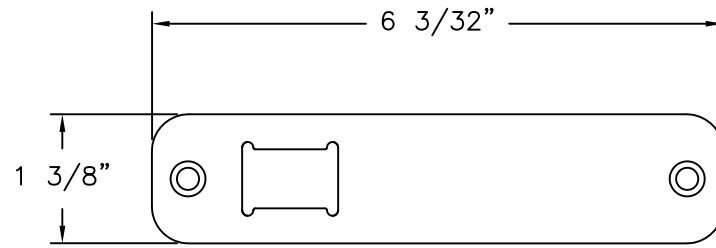
DOOR LATCH
STEEL



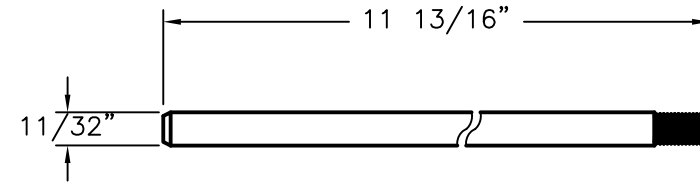
DOOR DEADBOLT
STEEL



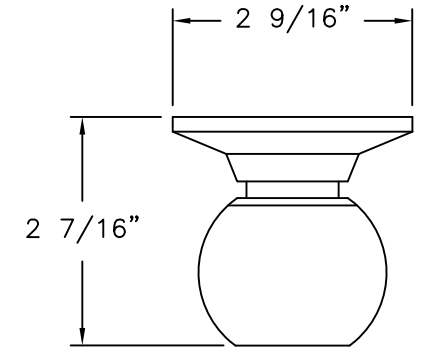
FLUSH BOLT MECHANISM
DIE CAST, STEEL, POM



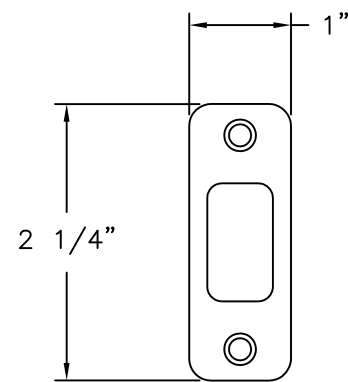
TOP/BOTTOM BAR KEEPER
STAINLESS STEEL



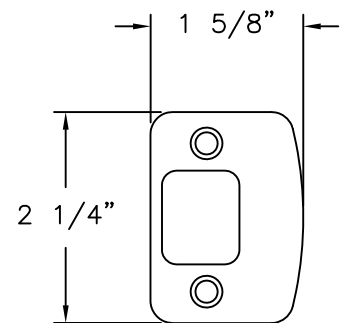
FLUSH BOLT BAR
STAINLESS STEEL



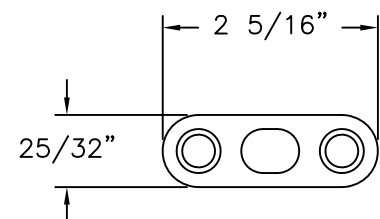
HANDLE SETS
DIE CAST



DOOR DEADBOLT KEEPER
STEEL



DOOR LATCH KEEPER
STEEL



DRIVE BAR PLATE
STAINLESS STEEL

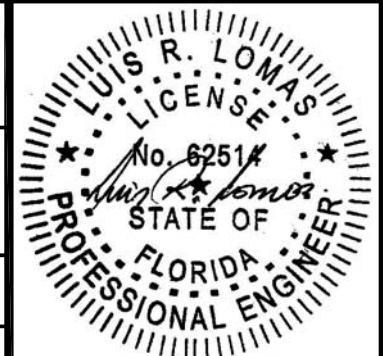
SIGNED: 06/14/2017

NAN YA PLASTICS CORP. USA
8989 NORTH LOOP EAST, SUITE 800
HOUSTON, TX 77029

SERIES SLPS OUTSWING GLAZED FIBERGLASS
SIDE-HINGED PATIO DOOR - IMPACT
COMPONENTS

DRAWN: A.R.	DWG NO. 08-03124	REV -
SCALE NTS	DATE 06/13/17	SHEET 9 OF 9

L. ROBERTO LOMAS P.E.
1432 WOODFORD RD LEWISVILLE, NC 27023
434-688-0609 rllomas@lrlomaspe.com



Luis R. Lomas P.E.
FL No.: 62514