

REVISIONS			
REV	DESCRIPTION	DATE	APPROVED

NOTES:

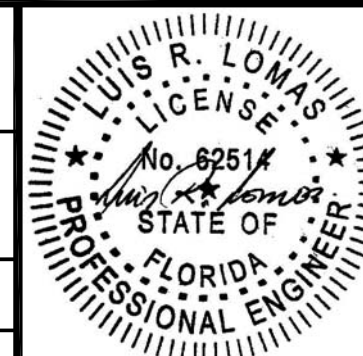
1. THE PRODUCT SHOWN HEREIN IS DESIGNED AND MANUFACTURED TO COMPLY WITH REQUIREMENTS OF THE FLORIDA BUILDING CODE INCLUDING THE HVHZ.
2. WOOD FRAMING AND MASONRY OPENING TO BE DESIGNED AND ANCHORED TO PROPERLY TRANSFER ALL LOADS TO STRUCTURE. FRAMING AND MASONRY OPENING IS THE RESPONSIBILITY OF THE ARCHITECT OR ENGINEER OF RECORD.
3. 1X BUCK OVER MASONRY/CONCRETE IS OPTIONAL.
4. WHERE SHIM OR BUCK THICKNESS IS LESS THAN 1-1/2" FENESTRATION UNITS MUST BE ANCHORED THROUGH THE FRAME IN ACCORDANCE WITH MANUFACTURER'S PUBLISHED INSTALLATION INSTRUCTIONS. ANCHORS SHALL BE SECURELY FASTENED DIRECTLY INTO MASONRY, CONCRETE OR OTHER STRUCTURAL SUBSTRATE MATERIAL.
5. WHERE WOOD BUCK THICKNESS IS 1-1/2" OR GREATER, BUCK SHALL BE SECURELY FASTENED TO MASONRY, CONCRETE OR OTHER STRUCTURAL SUBSTRATE. FENESTRATION UNITS MAY BE ANCHORED THROUGH FRAME TO SECURED WOOD BUCK IN ACCORDANCE WITH MANUFACTURER'S PUBLISHED INSTALLATION INSTRUCTIONS.
6. WHERE 1X BUCK IS NOT USED DISSIMILAR MATERIALS MUST BE SEPARATED WITH APPROVED COATING OR MEMBRANE. SELECTION OF COATING OR MEMBRANE IS THE RESPONSIBILITY OF THE ARCHITECT OR ENGINEER OF RECORD.
7. BUCKS SHALL EXTEND BEYOND WINDOW INTERIOR FACE SO THAT FULL FRAME SUPPORT IS PROVIDED.
8. SHIM AS REQUIRED AT EACH ANCHOR LOCATION WITH LOAD BEARING SHIM. SHIM WHERE SPACE OF 1/16" OR GREATER OCCURS. MAXIMUM ALLOWABLE SHIM STACK TO BE 1/4".
9. SHIMS SHALL BE LOCATED, APPLIED AND MADE FROM MATERIALS AND THICKNESS CAPABLE OF SUSTAINING APPLICABLE LOADS.
10. WIND LOAD DURATION FACTOR Cd=1.6 WAS USED FOR WOOD ANCHOR CALCULATIONS.
11. FRAME MATERIAL: CELLULAR PVC.
12. UNITS MUST BE GLAZED PER ASTM E1300-04/09, SEE SHEET 2 FOR DETAILS.
13. APPROVED IMPACT PROTECTIVE SYSTEM IS NOT REQUIRED FOR THIS PRODUCT IN WIND BORNE DEBRIS REGIONS.
14. FOR ANCHORING THROUGH FRAME INTO WOOD FRAMING OR 2X BUCK USE #10 WOOD SCREWS WITH SUFFICIENT LENGTH TO ACHIEVE A 1 1/4" MINIMUM EMBEDMENT INTO SUBSTRATE. LOCATE ANCHORS AS SHOWN IN ELEVATIONS AND INSTALLATION DETAILS.

15. FOR ANCHORING THROUGH FRAME INTO MASONRY/CONCRETE USE 1/4" ELCO CRETE-FLEX TAPCONS WITH SUFFICIENT LENGTH TO ACHIEVE A 1 1/4" MINIMUM EMBEDMENT INTO SUBSTRATE WITH 2 1/2" MINIMUM EDGE DISTANCE. LOCATE ANCHORS AS SHOWN IN ELEVATIONS AND INSTALLATION DETAILS.
16. FOR ANCHORING THROUGH FRAME INTO METAL STRUCTURE USE #10 SMS OR SELF DRILLING SCREWS WITH SUFFICIENT LENGTH TO ACHIEVE 3 THREADS MINIMUM BEYOND STRUCTURE INTERIOR WALL. LOCATE ANCHORS AS SHOWN IN ELEVATIONS AND INSTALLATION DETAILS.
17. ALL FASTENERS TO BE CORROSION RESISTANT.
18. INSTALLATION ANCHORS SHALL BE INSTALLED IN ACCORDANCE WITH ANCHOR MANUFACTURER'S INSTALLATION INSTRUCTIONS AND ANCHORS SHALL NOT BE USED IN SUBSTRATES WITH STRENGTHS LESS THAN THE MINIMUM STRENGTH SPECIFIED BELOW:
 - A. WOOD: MINIMUM SPECIFIC GRAVITY OF G=0.42
 - B. CONCRETE: MINIMUM COMPRESSIVE STRENGTH OF 2,000 PSI.
 - C. MASONRY: HOLLOW/FILLED BLOCK PER ASTM C90 WITH Fm=2,000PSI MINIMUM.
 - D. METAL STRUCTURE: STEEL 18GA (.048") FY=33KSI/FU=52KSI OR ALUMINUM 6063-T5 FU=30KSI .058" THICK MINIMUM
19. APPROVED CONFIGURATIONS: O/XX, XX/O, O/X, X/O, O/XO, XO/O, O/OX, OX/O, XX, X.

SIGNED: 05/26/2017

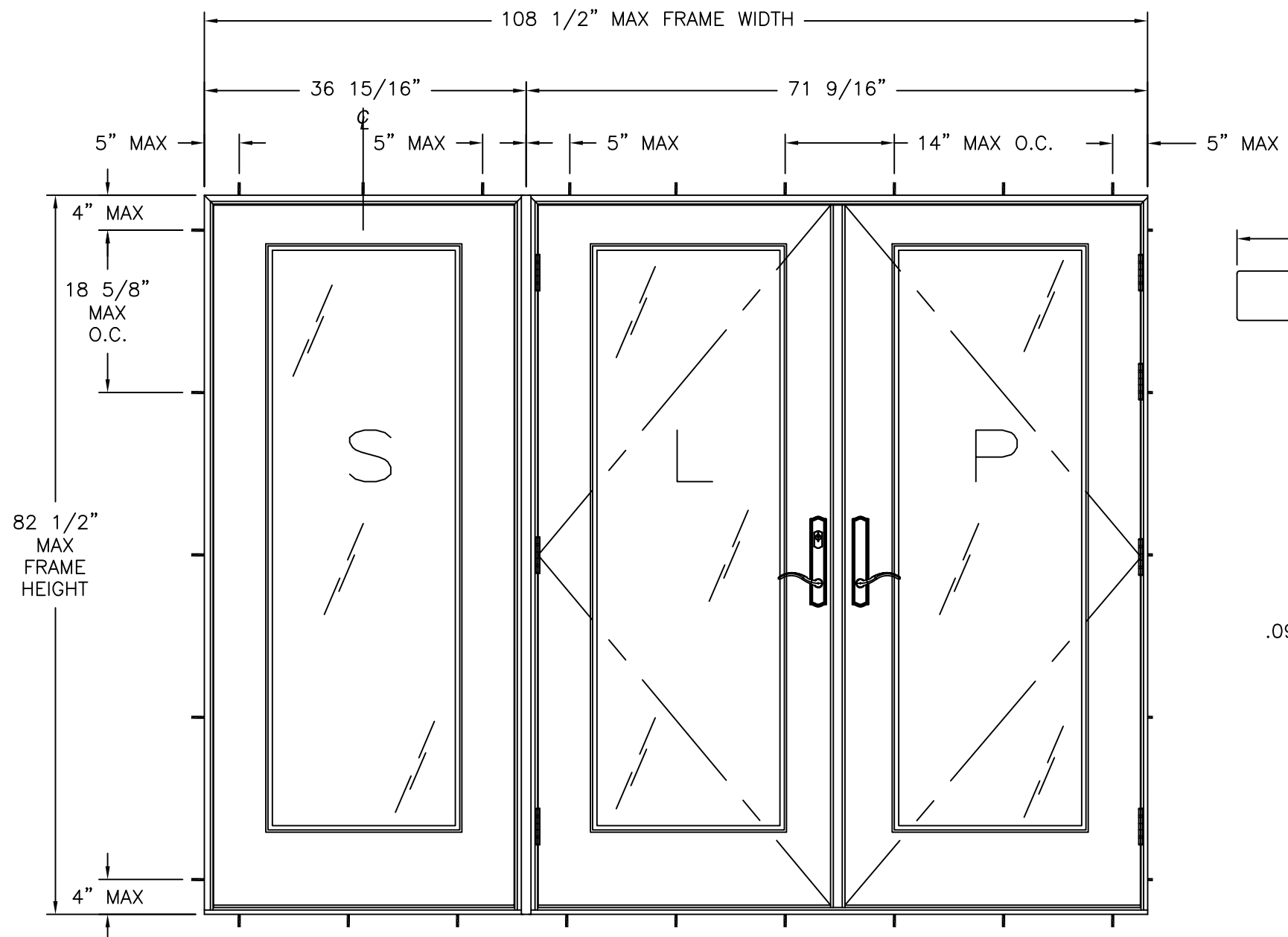
TABLE OF CONTENTS	
SHEET NO.	DESCRIPTION
1	NOTES
2	ELEVATION
3 - 8	INSTALLATION DETAILS
9	APPROVED PANELS

NAN YA PLASTICS CORP. USA 8989 NORTH LOOP EAST HOUSTON, TX 77029		
6'11" OUTSWING HINGED PATIO DOOR IMPACT HVHZ NOTES		
DRAWN: V.L.	DWG NO. 08-02985	REV -
SCALE NTS	DATE 01/04/17	SHEET 1 OF 9
L. ROBERTO LOMAS P.E. 1432 WOODFORD RD LEWISVILLE, NC 27023 434-688-0609 rllomas@rlomaspe.com		



Luis R. Lomas P.E.
FL No.: 62514

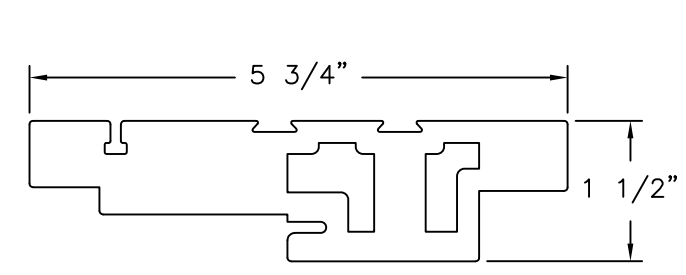
REVISIONS			
REV	DESCRIPTION	DATE	APPROVED



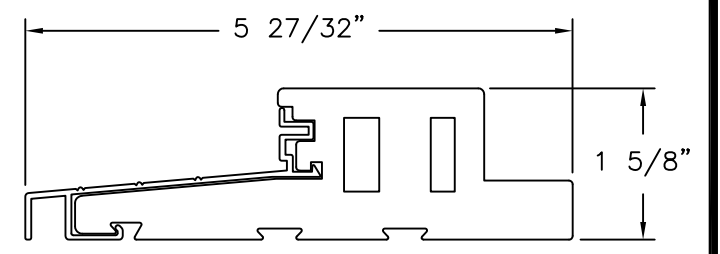
6'11" OUTSWING HINGED PATIO DOOR
EXTERIOR VIEW

DESIGN PRESSURE RATING	IMPACT RATING
±70.0PSF	LARGE AND SMALL MISSILE IMPACT

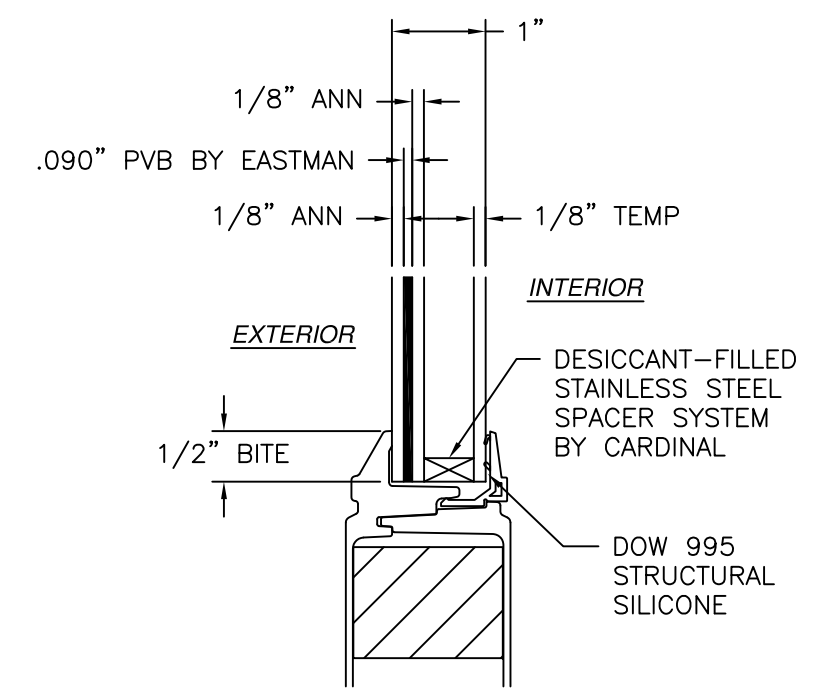
MISSILE LEVEL D, WIND ZONE 4 & HVHZ



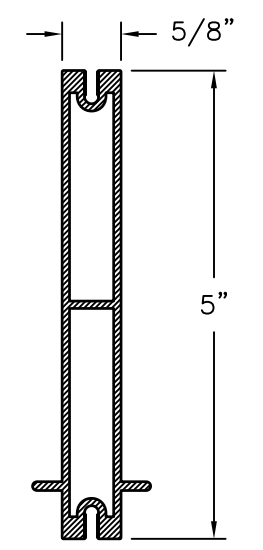
HEAD FRAME & JAMB
FOAM PVC CO-EX



OUTSWING SILL
FOAM PVC CO-EX & ALUMINUM



GLAZING DETAIL



MULLION
ALUMINUM 6063-T5 (.078" THICK)

SIGNED: 05/26/2017

HARDWARE SCHEDULE	
A.	(1) MULTIPOINT LOCK WITH KEEPERS (SS9300 BY MICOTA TECH AT EACH LOCK STILE
B.	(2) BAR KEEPERS AT FRAME HEAD & SILL
C.	(1) TOP/BOTTOM DRIVE BAR (SS916) BY MICOTA TECH AT EACH PANEL
D.	(1) ALUMINUM MULLION 6063-T5
E.	(3) 4X4 HINGES BY MIKOTA TECH AT 10", 41" AND 73" FROM TOP OF PANEL

- NOTES:
1. MAXIMUM DOOR PANEL SIZE: 34 1/2" X 80 5/16"
 2. MAXIMUM DOOR D.L.O.: 25" X 63"

NAN YA PLASTICS CORP. USA
8989 NORTH LOOP EAST
HOUSTON, TX 77029

6'11" OUTSWING HINGED PATIO DOOR
IMPACT HVHZ
ELEVATION

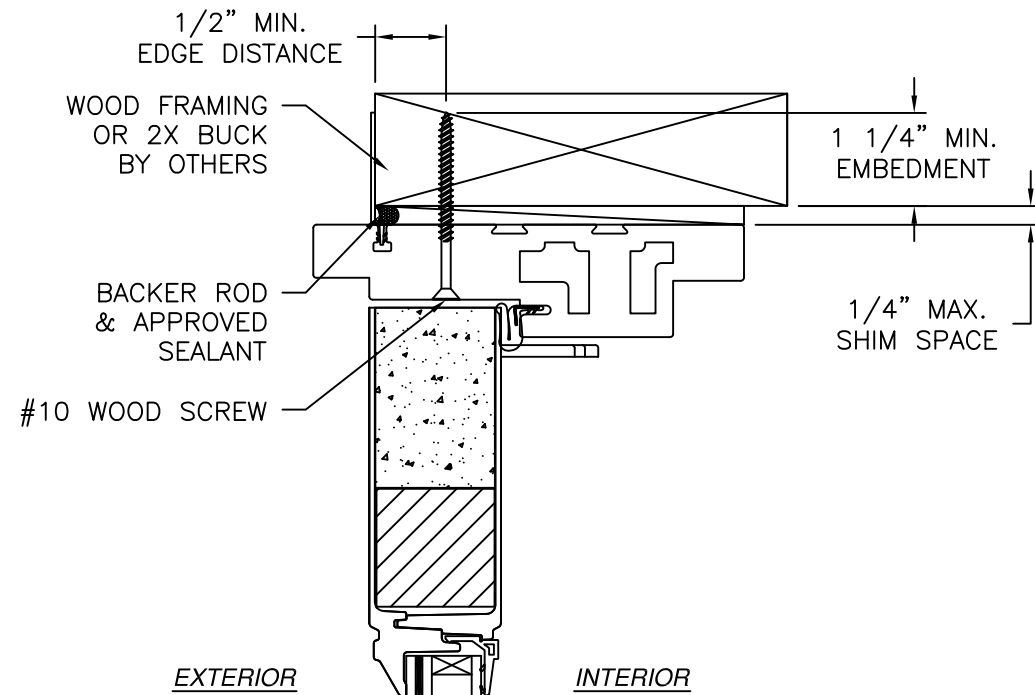
DRAWN: V.L.	DWG NO. 08-02985	REV -
SCALE NTS	DATE 01/04/17	SHEET 2 OF 9

L. ROBERTO LOMAS P.E.
1432 WOODFORD RD LEWISVILLE, NC 27023
434-688-0609 rllomas@rlomaspe.com

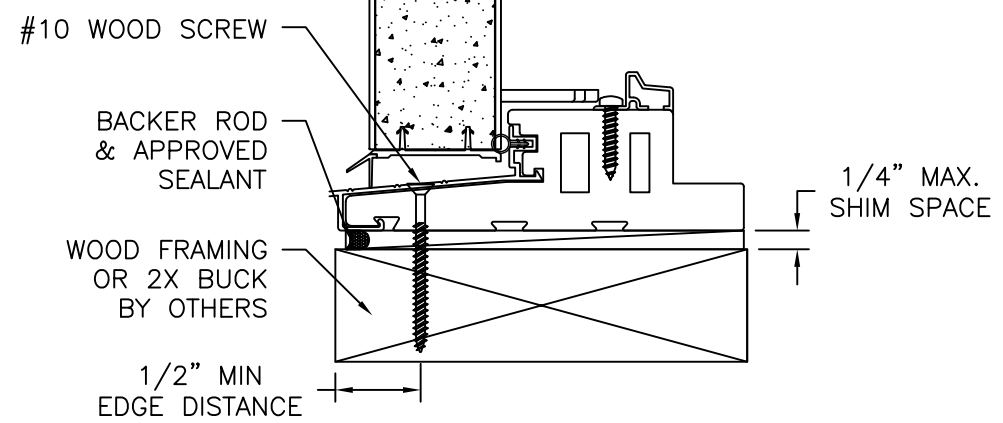
LUIS R. LOMAS
LICENSED PROFESSIONAL ENGINEER
No. 62514
STATE OF FLORIDA

Luis R. Lomas P.E.
FL No.: 62514

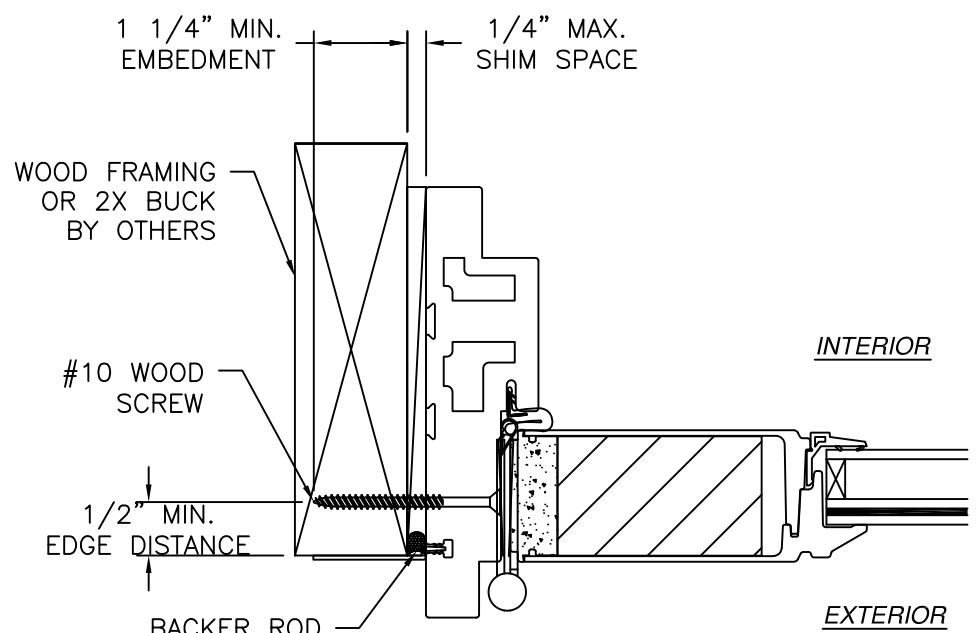
REVISIONS			
REV	DESCRIPTION	DATE	APPROVED



EXTERIOR INTERIOR



VERTICAL CROSS SECTION
WOOD FRAMING OR 2X BUCK INSTALLATION



JAMB INSTALLATION DETAIL
WOOD FRAMING OR 2X BUCK INSTALLATION

- NOTES:
1. INTERIOR AND EXTERIOR FINISHES, BY OTHERS, NOT SHOWN FOR CLARITY.
 2. PERIMETER AND JOINT SEALANT BY OTHERS TO BE DESIGNED IN ACCORDANCE WITH ASTM E2112

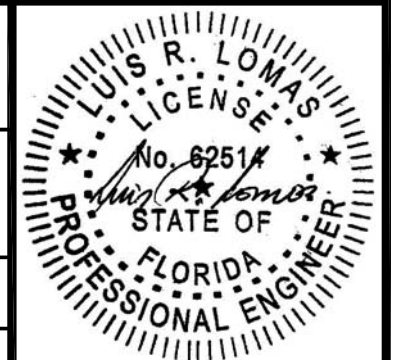
NAN YA PLASTICS CORP. USA
8989 NORTH LOOP EAST
HOUSTON, TX 77029

6'11" OUTSWING HINGED PATIO DOOR
IMPACT HVHZ
DOOR INSTALLATION DETAILS

DRAWN: V.L.	DWG NO. 08-02985	REV -
SCALE NTS	DATE 01/04/17	SHEET 3 OF 9

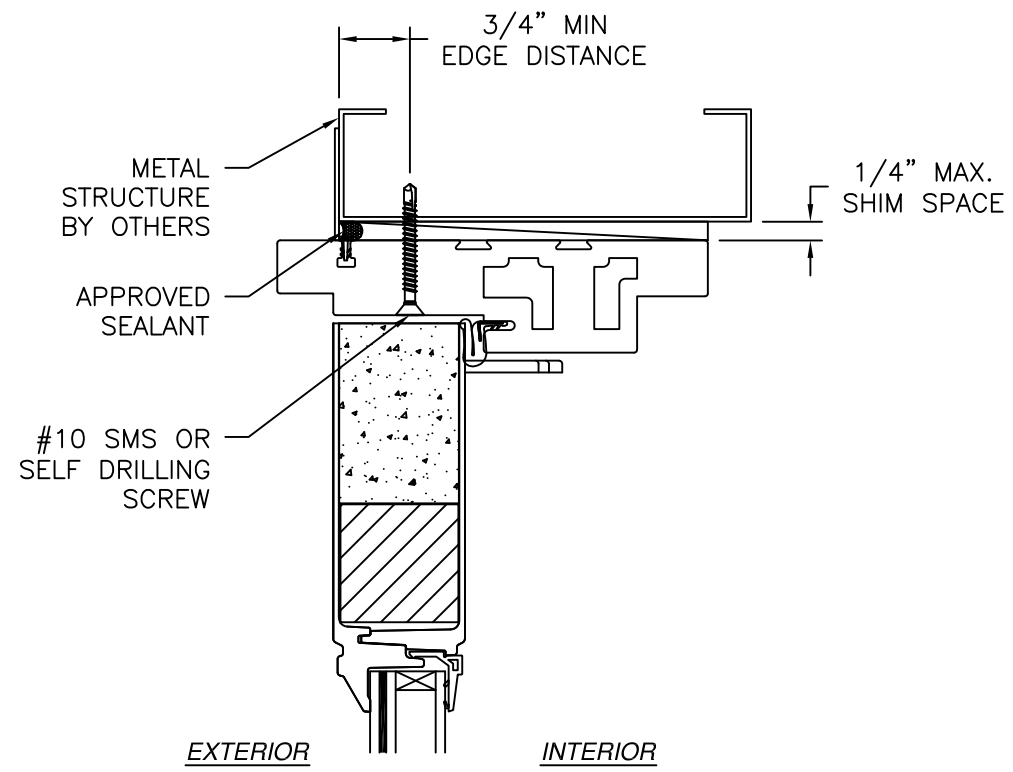
L. ROBERTO LOMAS P.E.
1432 WOODFORD RD LEWISVILLE, NC 27023
434-688-0609 rllomas@rlomaspe.com

SIGNED: 05/26/2017



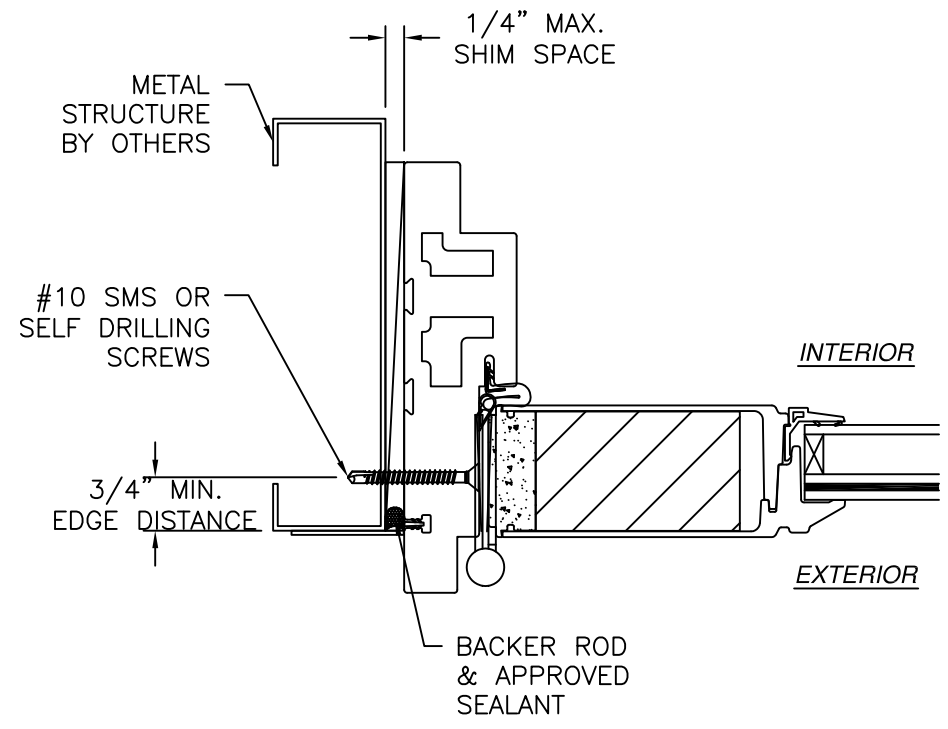
Luis R. Lomas P.E.
FL No.: 62514

REVISIONS			
REV	DESCRIPTION	DATE	APPROVED

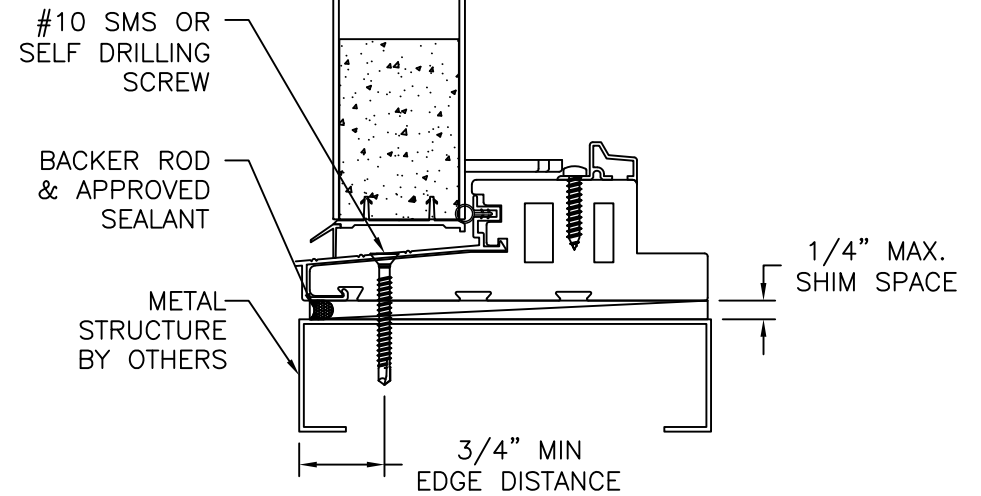


EXTERIOR INTERIOR

VERTICAL CROSS SECTION
METAL STRUCTURE INSTALLATION



JAMB INSTALLATION DETAIL
METAL STRUCTURE INSTALLATION



- NOTES:
1. INTERIOR AND EXTERIOR FINISHES, BY OTHERS, NOT SHOWN FOR CLARITY.
 2. PERIMETER AND JOINT SEALANT BY OTHERS TO BE DESIGNED IN ACCORDANCE WITH ASTM E2112

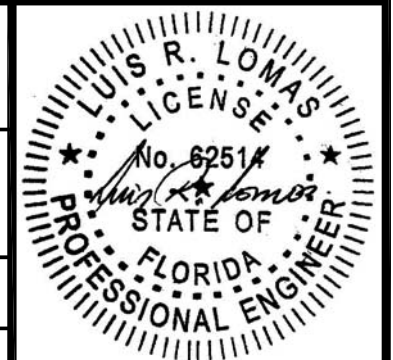
NAN YA PLASTICS CORP. USA
8989 NORTH LOOP EAST
HOUSTON, TX 77029

6'11" OUTSWING HINGED PATIO DOOR
IMPACT HVHZ
DOOR INSTALLATION DETAILS

DRAWN: V.L.	DWG NO. 08-02985	REV -
SCALE NTS	DATE 01/04/17	SHEET 4 OF 9

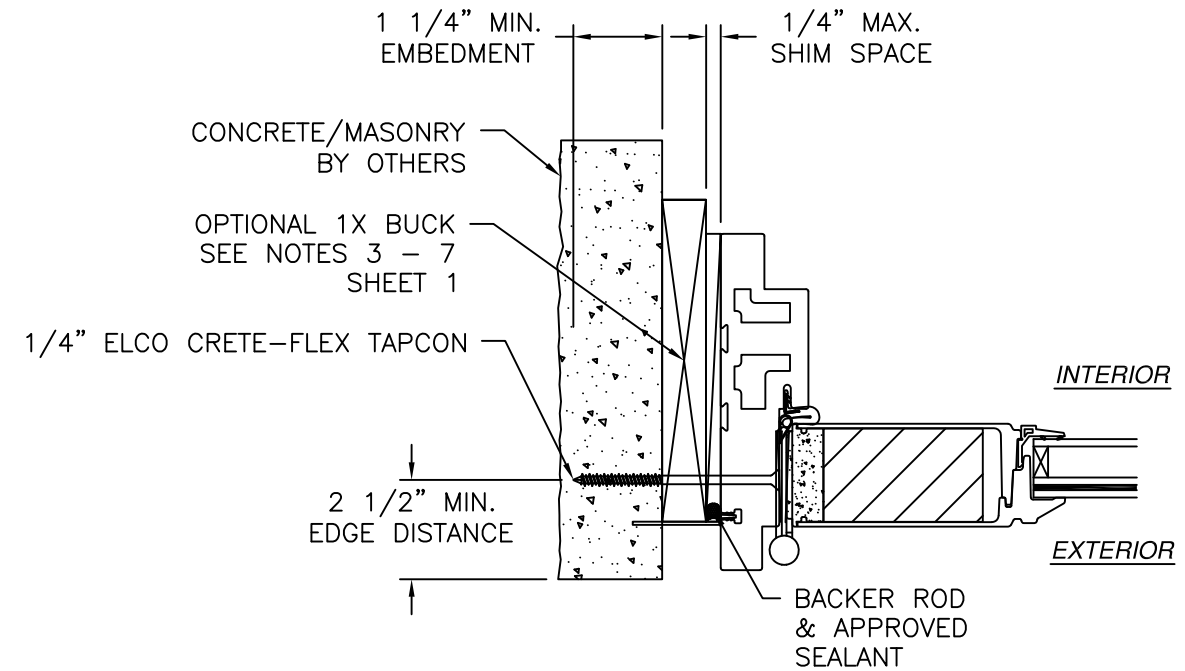
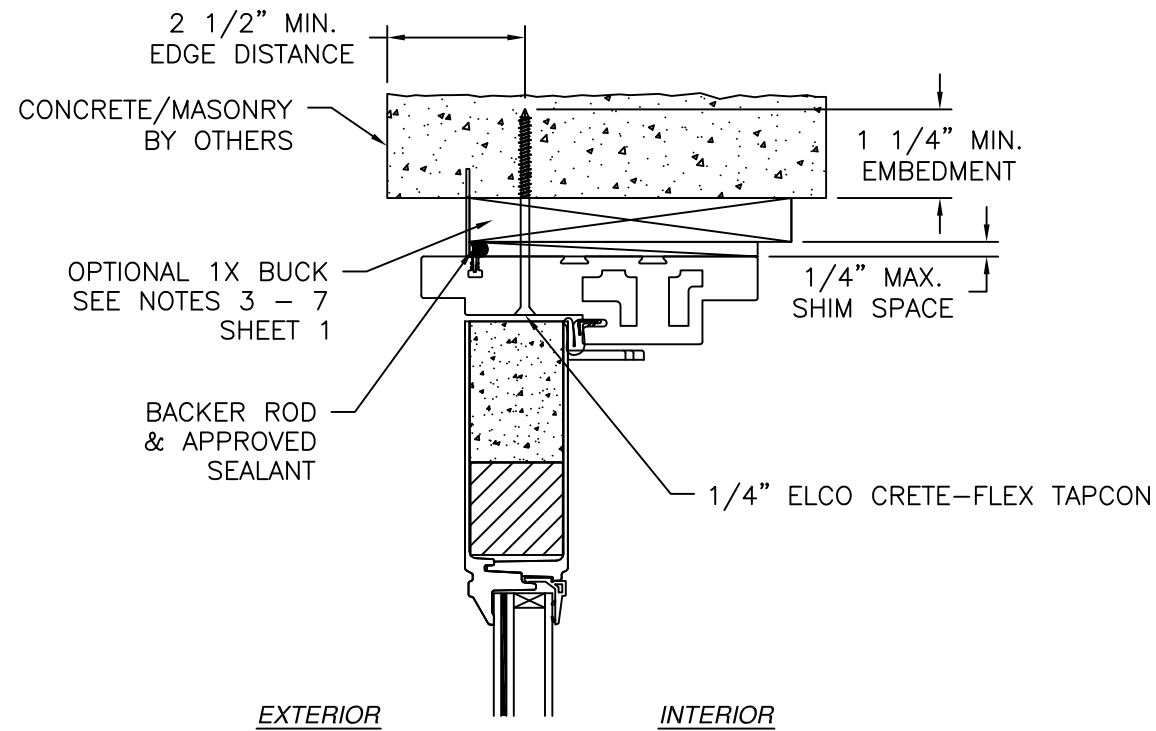
L. ROBERTO LOMAS P.E.
1432 WOODFORD RD LEWISVILLE, NC 27023
434-688-0609 rllomas@lrlomaspe.com

SIGNED: 05/26/2017

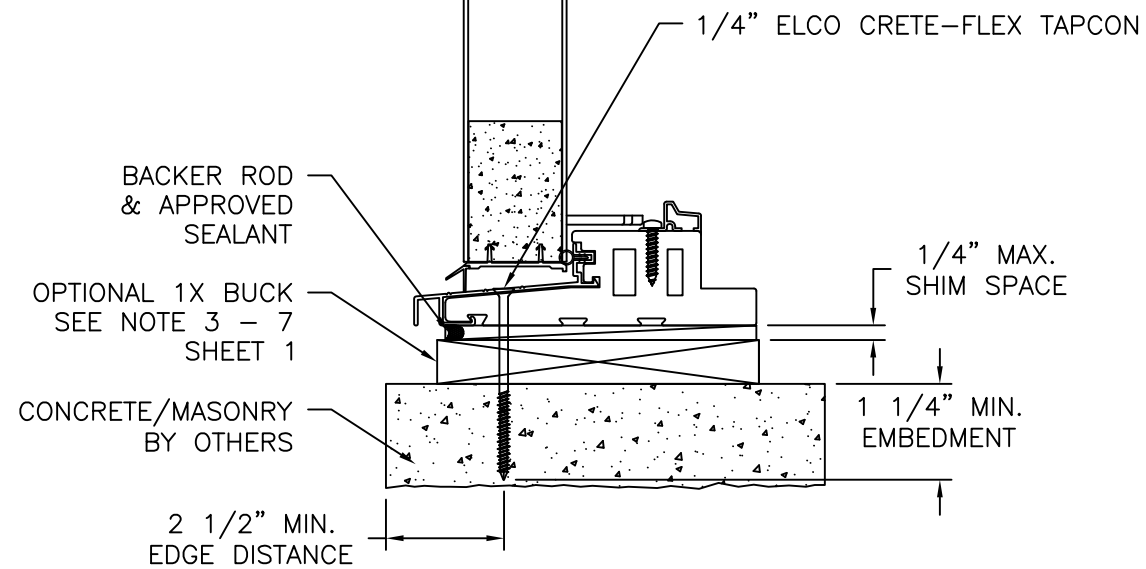


Luis R. Lomas P.E.
FL No.: 62514

REVISIONS			
REV	DESCRIPTION	DATE	APPROVED



JAMB INSTALLATION DETAIL
CONCRETE/MASONRY INSTALLATION



VERTICAL CROSS SECTION
CONCRETE/MASONRY INSTALLATION

- NOTES:
1. INTERIOR AND EXTERIOR FINISHES, BY OTHERS, NOT SHOWN FOR CLARITY.
 2. PERIMETER AND JOINT SEALANT BY OTHERS TO BE DESIGNED IN ACCORDANCE WITH ASTM E2112

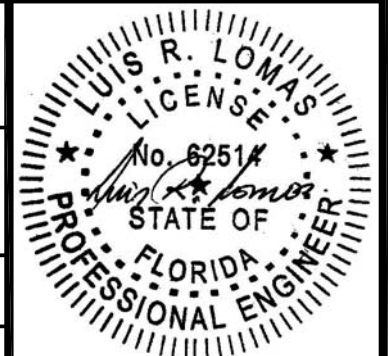
SIGNED: 05/26/2017

NAN YA PLASTICS CORP. USA
8989 NORTH LOOP EAST
HOUSTON, TX 77029

6'11" OUTSWING HINGED PATIO DOOR
IMPACT HVHZ
DOOR INSTALLATION DETAILS

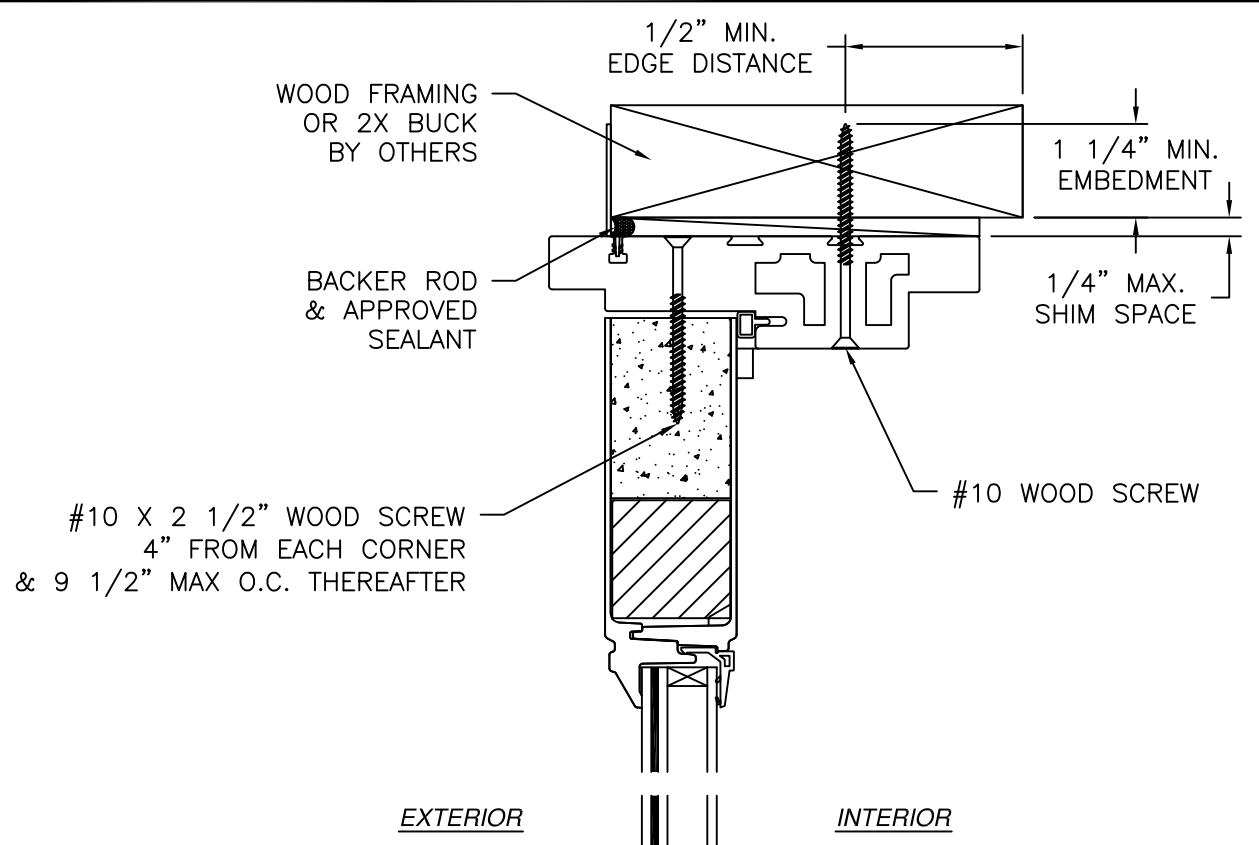
DRAWN: V.L.	DWG NO. 08-02985	REV -
SCALE NTS	DATE 01/04/17	SHEET 5 OF 9

L. ROBERTO LOMAS P.E.
1432 WOODFORD RD LEWISVILLE, NC 27023
434-688-0609 rllomas@rlomaspe.com



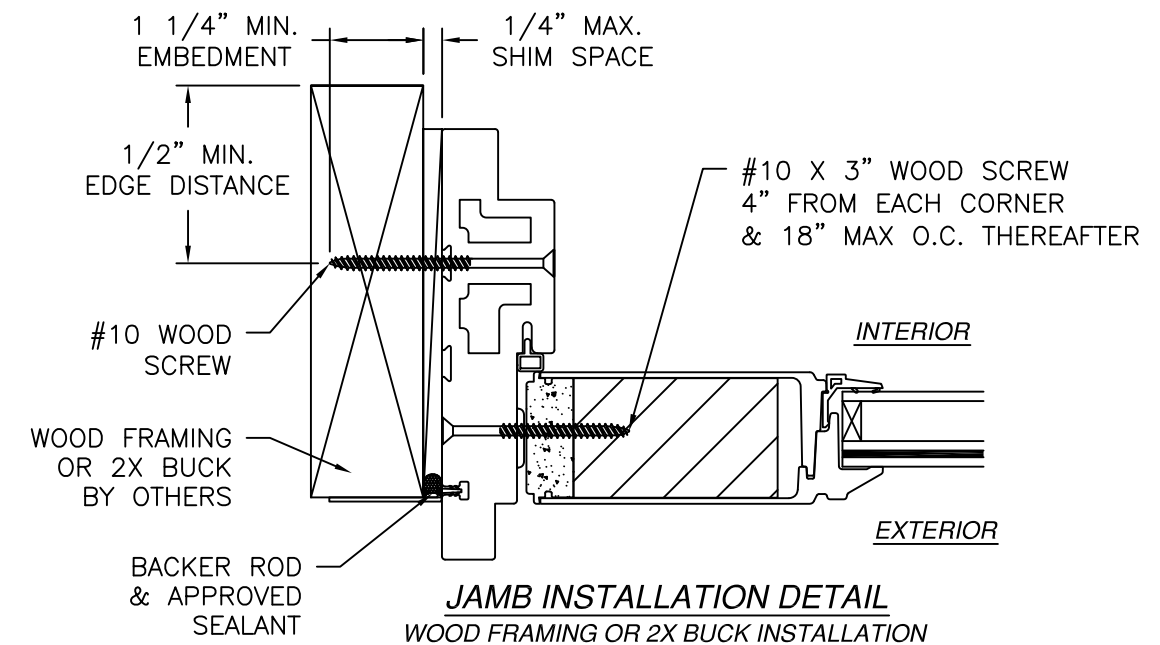
Luis R. Lomas P.E.
FL No.: 62514

REVISIONS			
REV	DESCRIPTION	DATE	APPROVED



#10 X 2 1/2" WOOD SCREW
4" FROM EACH CORNER
& 9 1/2" MAX O.C. THEREAFTER

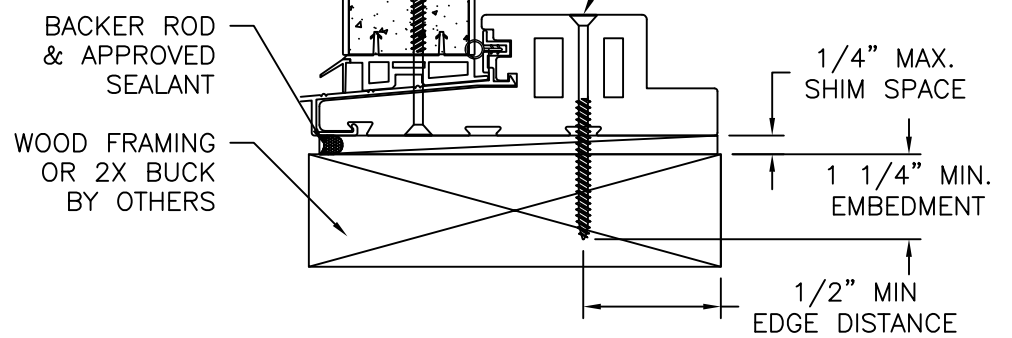
EXTERIOR INTERIOR



JAMB INSTALLATION DETAIL
WOOD FRAMING OR 2X BUCK INSTALLATION

- NOTES:
1. INTERIOR AND EXTERIOR FINISHES, BY OTHERS, NOT SHOWN FOR CLARITY.
 2. PERIMETER AND JOINT SEALANT BY OTHERS TO BE DESIGNED IN ACCORDANCE WITH ASTM E2112

#10 X 2 1/2" WOOD SCREW
4" FROM EACH CORNER
& 9 1/2" MAX O.C. THEREAFTER



VERTICAL CROSS SECTION
WOOD FRAMING OR 2X BUCK INSTALLATION

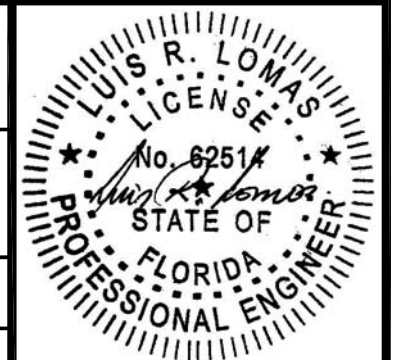
SIGNED: 05/26/2017

NAN YA PLASTICS CORP. USA
8989 NORTH LOOP EAST
HOUSTON, TX 77029

6'11" OUTSWING HINGED PATIO DOOR
IMPACT HVHZ
SIDELITE INSTALLATION DETAILS

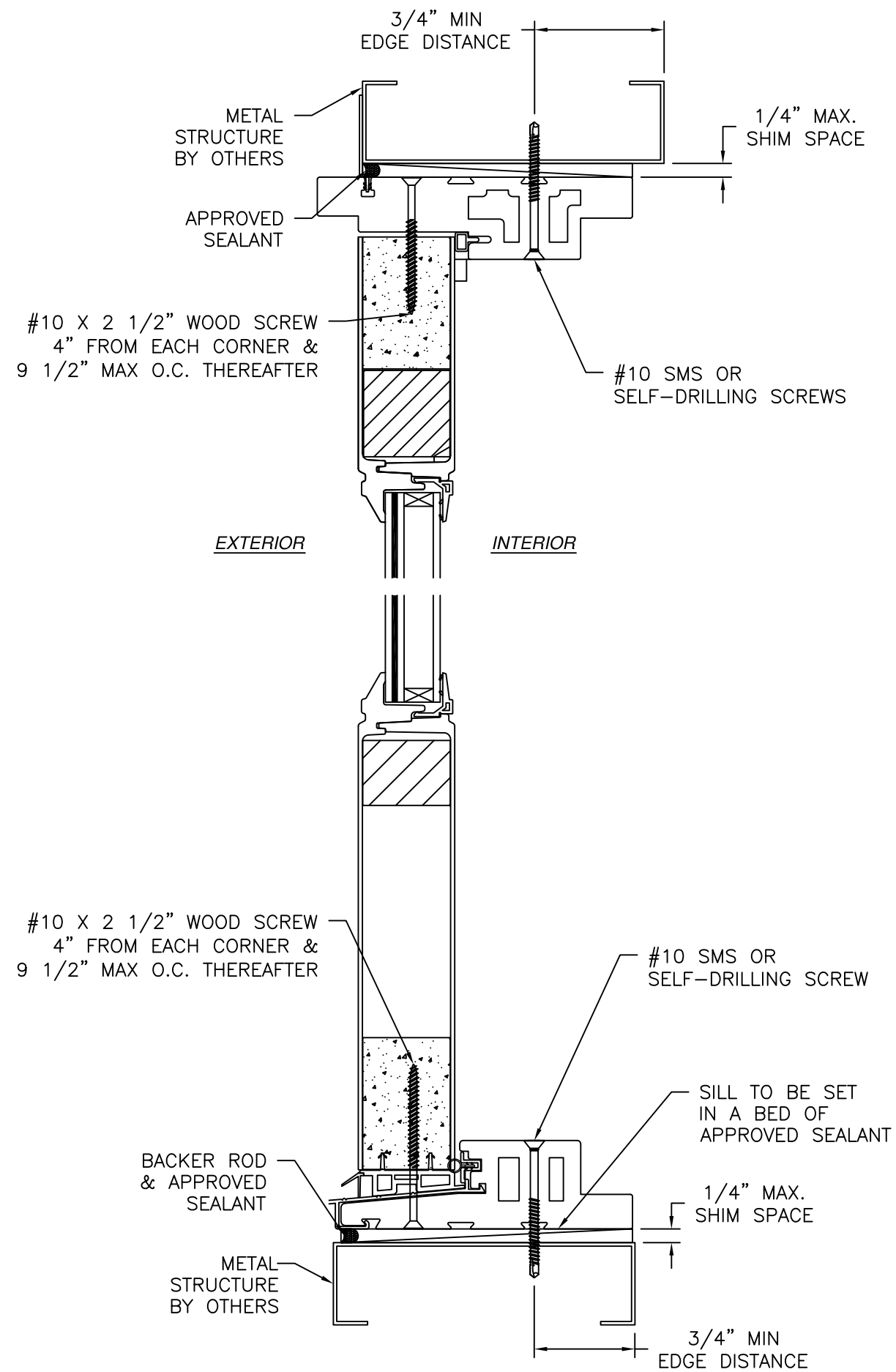
DRAWN: V.L.	DWG NO. 08-02985	REV -
SCALE NTS	DATE 01/04/17	SHEET 6 OF 9

L. ROBERTO LOMAS P.E.
1432 WOODFORD RD LEWISVILLE, NC 27023
434-688-0609 rllomas@rlomaspe.com

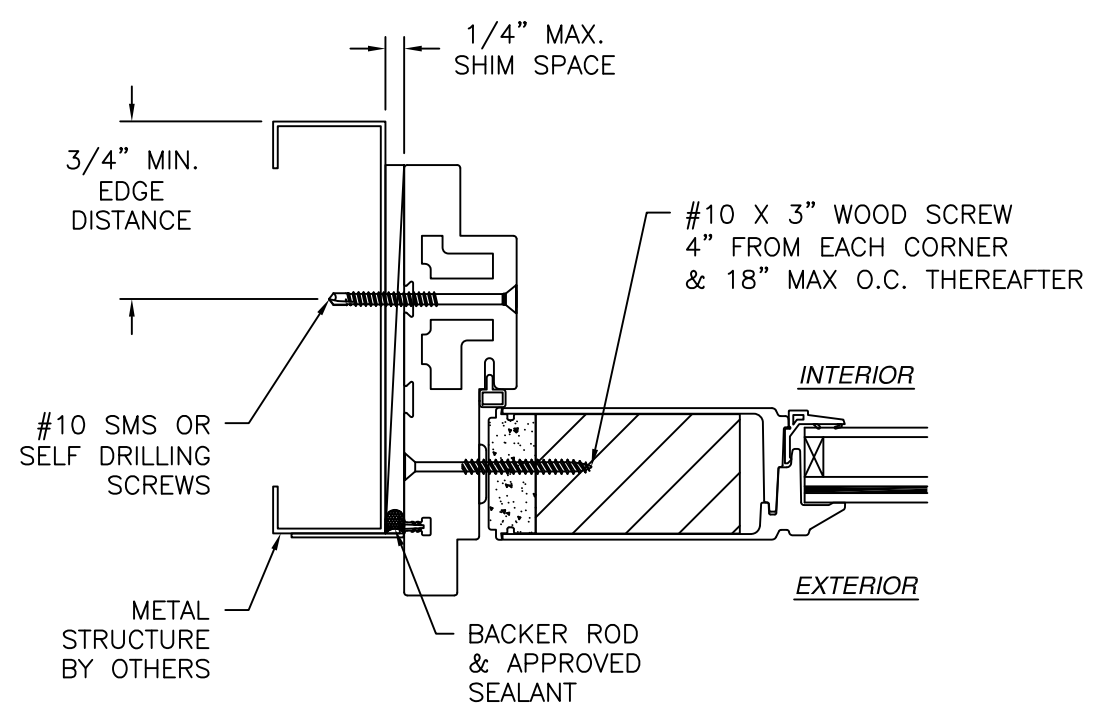


Luis R. Lomas P.E.
FL No.: 62514

REVISIONS			
REV	DESCRIPTION	DATE	APPROVED



VERTICAL CROSS SECTION
METAL STRUCTURE INSTALLATION

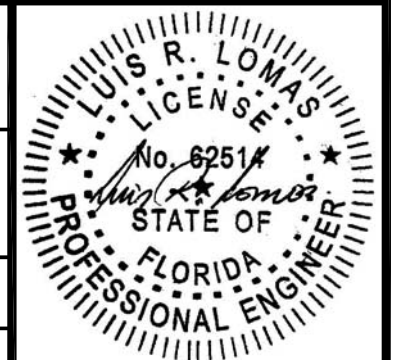


JAMB INSTALLATION DETAIL
METAL STRUCTURE INSTALLATION

- NOTES:**
1. INTERIOR AND EXTERIOR FINISHES, BY OTHERS, NOT SHOWN FOR CLARITY.
 2. PERIMETER AND JOINT SEALANT BY OTHERS TO BE DESIGNED IN ACCORDANCE WITH ASTM E2112

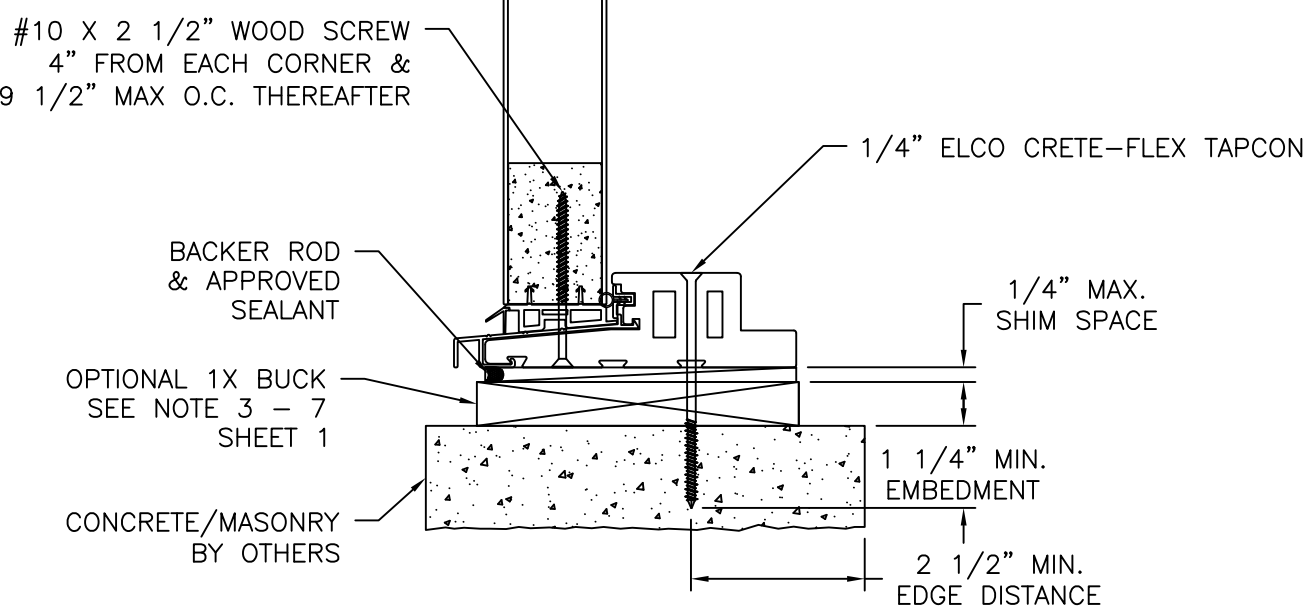
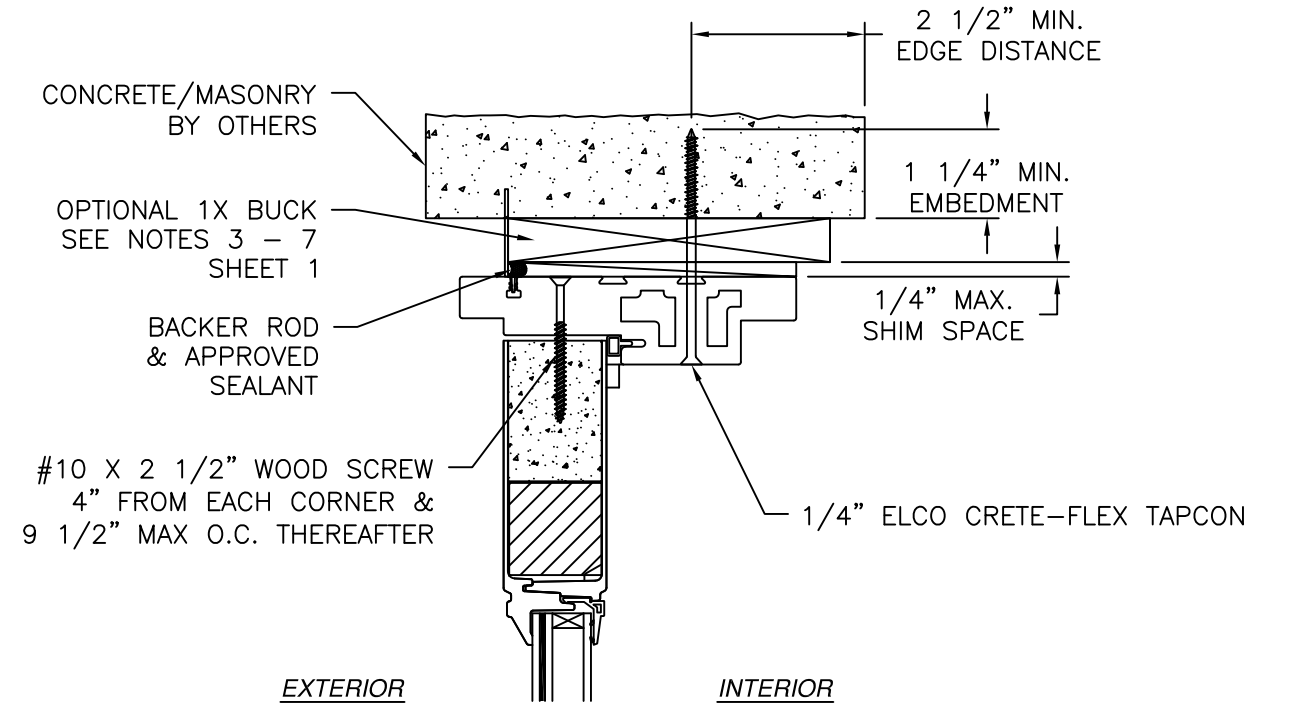
SIGNED: 05/26/2017

<p>NAN YA PLASTICS CORP. USA 8989 NORTH LOOP EAST HOUSTON, TX 77029</p>		
<p>6'11" OUTSWING HINGED PATIO DOOR IMPACT HVHZ SIDELITE INSTALLATION DETAILS</p>		
DRAWN: V.L.	DWG NO. 08-02985	REV -
SCALE NTS	DATE 01/04/17	SHEET 7 OF 9
<p>L. ROBERTO LOMAS P.E. 1432 WOODFORD RD LEWISVILLE, NC 27023 434-688-0609 rllomas@rlomaspe.com</p>		

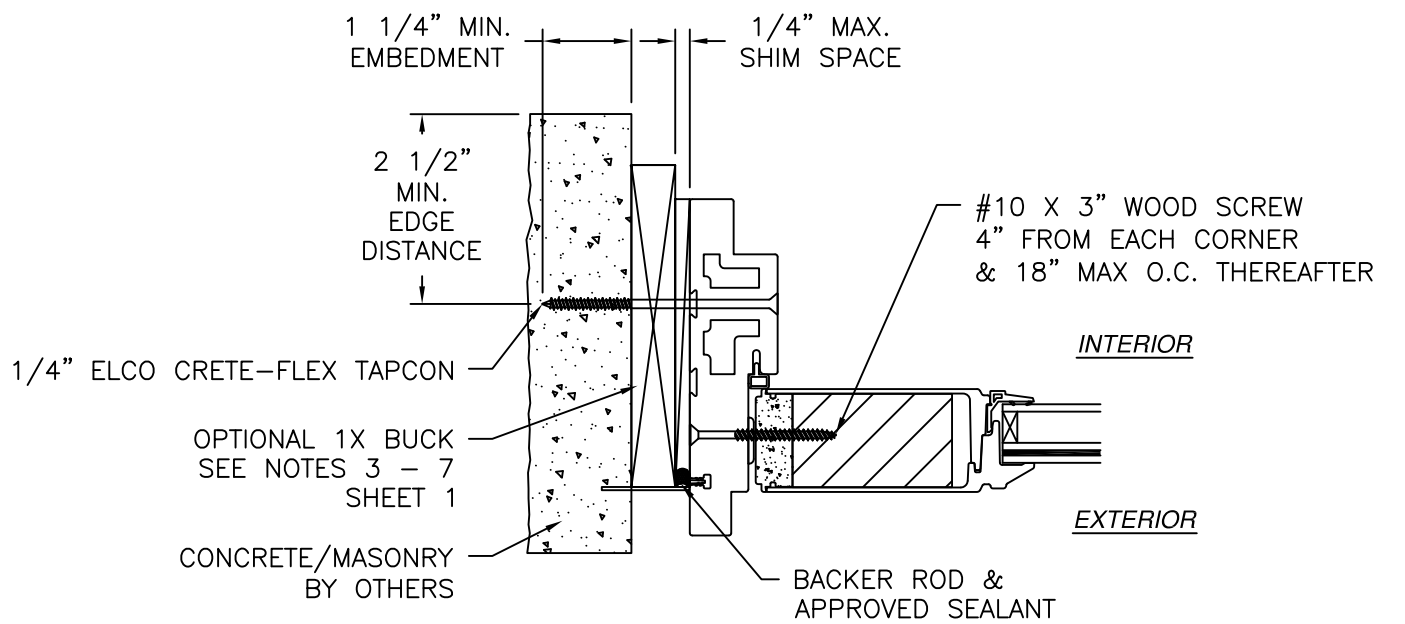


Luis R. Lomas P.E.
FL No.: 62514

REVISIONS			
REV	DESCRIPTION	DATE	APPROVED



VERTICAL CROSS SECTION
CONCRETE/MASONRY INSTALLATION



JAMB INSTALLATION DETAIL
CONCRETE/MASONRY INSTALLATION

- NOTES:
1. INTERIOR AND EXTERIOR FINISHES, BY OTHERS, NOT SHOWN FOR CLARITY.
 2. PERIMETER AND JOINT SEALANT BY OTHERS TO BE DESIGNED IN ACCORDANCE WITH ASTM E2112

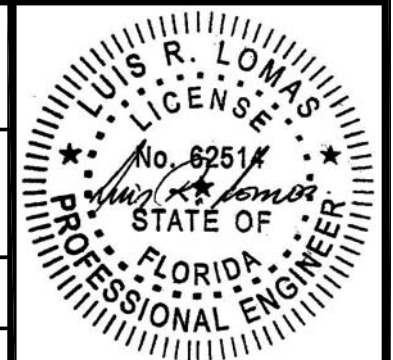
SIGNED: 05/26/2017

NAN YA PLASTICS CORP. USA
8989 NORTH LOOP EAST
HOUSTON, TX 77029

6'11" OUTSWING HINGED PATIO DOOR
IMPACT HVHZ
SIDELITE INSTALLATION DETAILS

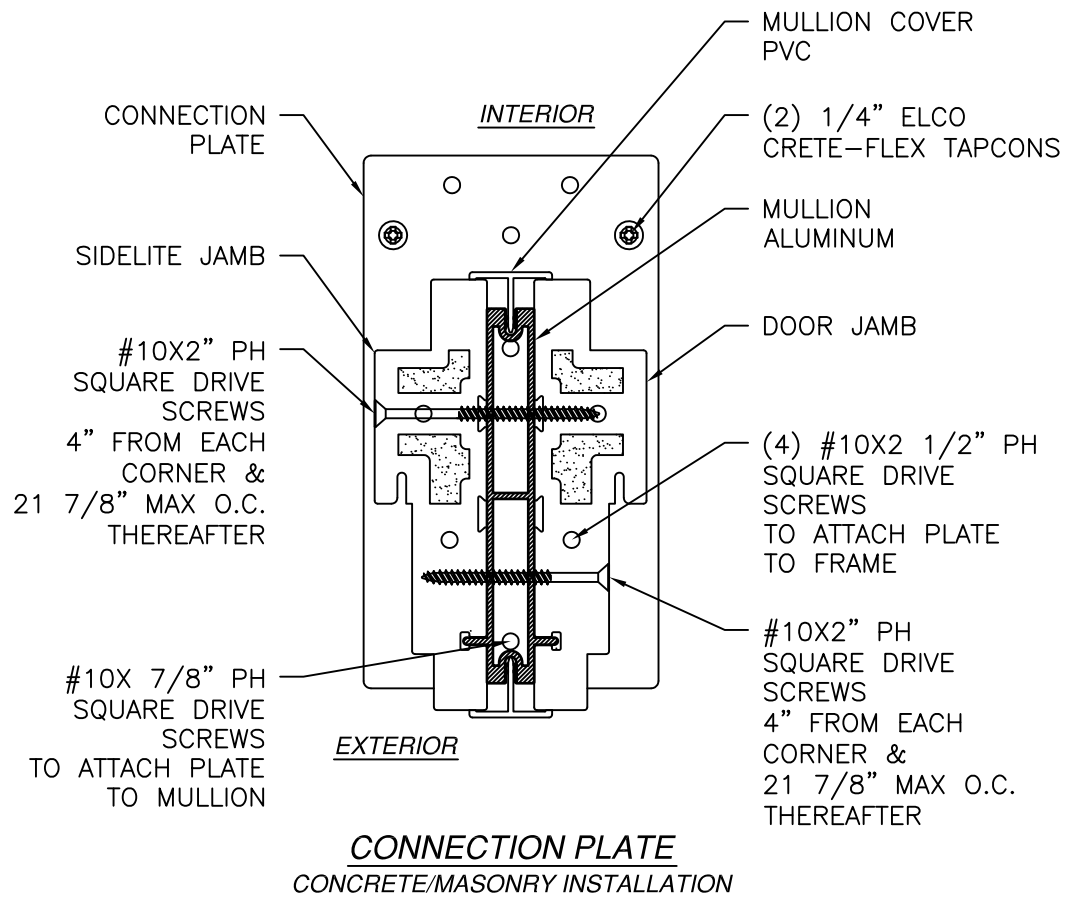
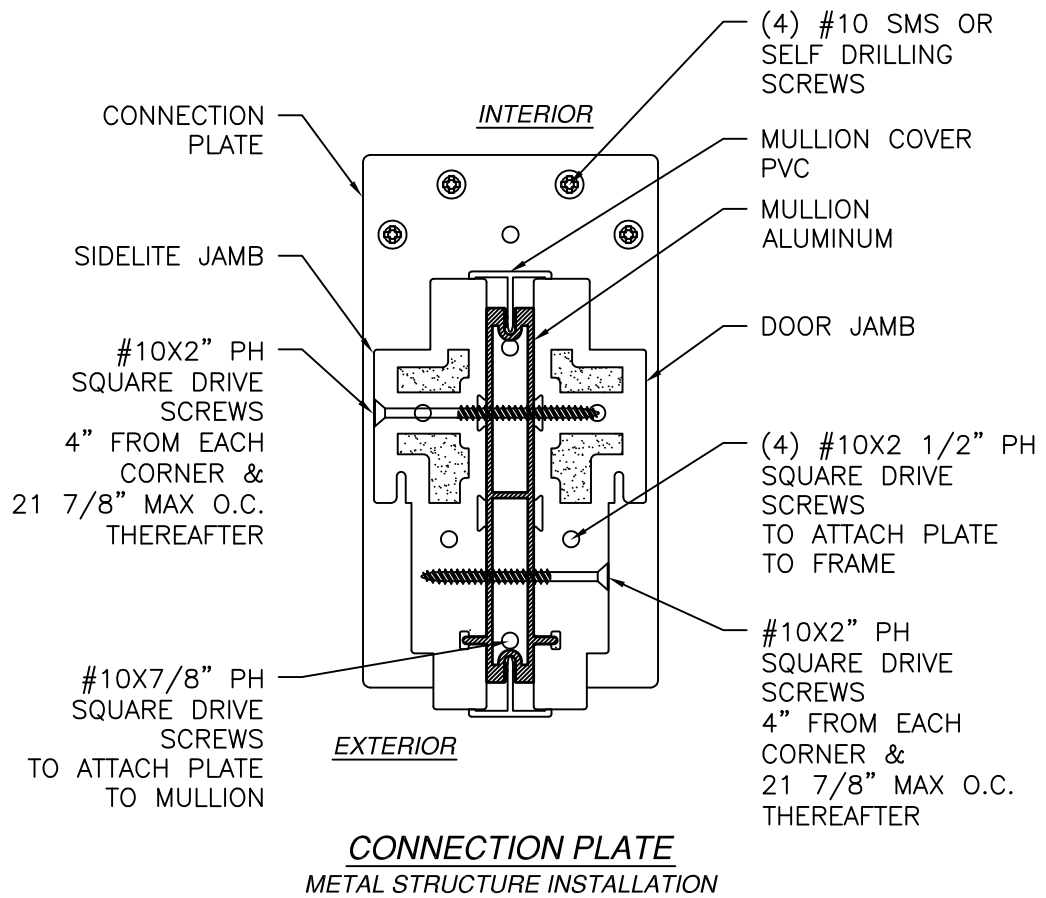
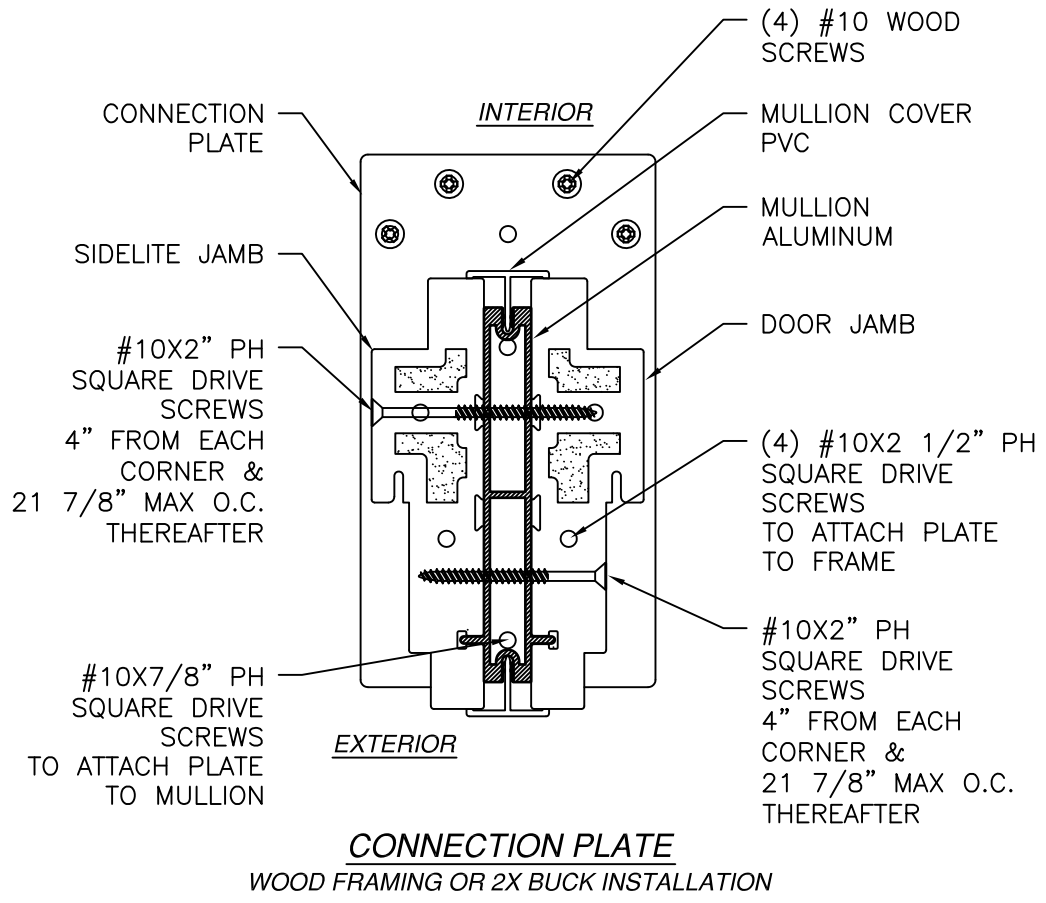
DRAWN: V.L.	DWG NO. 08-02985	REV -
SCALE NTS	DATE 01/04/17	SHEET 8 OF 9

L. ROBERTO LOMAS P.E.
1432 WOODFORD RD LEWISVILLE, NC 27023
434-688-0609 rllomas@rlomaspe.com



Luis R. Lomas P.E.
FL No.: 62514

REVISIONS			
REV	DESCRIPTION	DATE	APPROVED



- NOTES:
1. INTERIOR AND EXTERIOR FINISHES, BY OTHERS, NOT SHOWN FOR CLARITY.
 2. PERIMETER AND JOINT SEALANT BY OTHERS TO BE DESIGNED IN ACCORDANCE WITH ASTM E2112

SIGNED: 05/26/2017

NAN YA PLASTICS CORP. USA
8989 NORTH LOOP EAST
HOUSTON, TX 77029

6'11" OUTSWING HINGED PATIO DOOR
IMPACT HVHZ
APPROVED PANELS

DRAWN: V.L.	DWG NO. 08-02985	REV -
SCALE NTS	DATE 01/04/17	SHEET 9 OF 9

L. ROBERTO LOMAS P.E.
1432 WOODFORD RD LEWISVILLE, NC 27023
434-688-0609 rllomas@rlomaspe.com

Luis R. Lomas P.E.
FL No.: 62514