

REVISIONS			
REV	DESCRIPTION	DATE	APPROVED

NOTES:

1. THE PRODUCT SHOWN HEREIN IS DESIGNED AND MANUFACTURED TO COMPLY WITH REQUIREMENTS OF THE FLORIDA BUILDING CODE INCLUDING THE HVHZ.
2. WOOD FRAMING AND MASONRY OPENING TO BE DESIGNED AND ANCHORED TO PROPERLY TRANSFER ALL LOADS TO STRUCTURE. FRAMING AND MASONRY OPENING IS THE RESPONSIBILITY OF THE ARCHITECT OR ENGINEER OF RECORD.
3. 1X BUCK OVER MASONRY/CONCRETE IS OPTIONAL.
4. WHERE SHIM OR BUCK THICKNESS IS LESS THAN 1-1/2" WINDOW UNITS MUST BE ANCHORED THROUGH THE FRAME IN ACCORDANCE WITH MANUFACTURER'S PUBLISHED INSTALLATION INSTRUCTIONS. ANCHORS SHALL BE SECURELY FASTENED DIRECTLY INTO MASONRY, CONCRETE OR OTHER STRUCTURAL SUBSTRATE MATERIAL.
5. WHERE WOOD BUCK THICKNESS IS 1-1/2" OR GREATER, BUCK SHALL BE SECURELY FASTENED TO MASONRY, CONCRETE OR OTHER STRUCTURAL SUBSTRATE. WINDOW UNITS MAY BE ANCHORED THROUGH FRAME TO SECURED WOOD BUCK IN ACCORDANCE WITH MANUFACTURER'S PUBLISHED INSTALLATION INSTRUCTIONS.
6. WHERE 1X BUCK IS NOT USED DISSIMILAR MATERIALS MUST BE SEPARATED WITH APPROVED COATING OR MEMBRANE. SELECTION OF COATING OR MEMBRANE IS THE RESPONSIBILITY OF THE ARCHITECT OR ENGINEER OF RECORD.
7. BUCKS SHALL EXTEND BEYOND WINDOW INTERIOR FACE SO THAT FULL FRAME SUPPORT IS PROVIDED.
8. SHIM AS REQUIRED AT EACH ANCHOR LOCATION WITH LOAD BEARING SHIM. SHIM WHERE SPACE OF 1/16" OR GREATER OCCURS. MAXIMUM ALLOWABLE SHIM STACK TO BE 1/4".
9. SHIMS SHALL BE LOCATED, APPLIED AND MADE FROM MATERIALS AND THICKNESS CAPABLE OF SUSTAINING APPLICABLE LOADS.
10. WIND LOAD DURATION FACTOR Cd=1.6 WAS USED FOR WOOD ANCHOR CALCULATIONS.
11. FRAME MATERIAL: CELLULAR PVC.
12. PANEL SKIN MATERIAL: FIBERGLASS MOLDING COMPOUND .095" THICK.
13. UNITS MUST BE GLAZED PER ASTM E1300-04/09, SEE SHEET 2 FOR GLASS DETAILS.
14. APPROVED IMPACT PROTECTIVE SYSTEM IS NOT REQUIRED FOR THIS PRODUCT IN WIND BORNE DEBRIS REGIONS.
15. FOR ANCHORING THROUGH FRAME INTO WOOD FRAMING OR 2X BUCK USE #10 WOOD SCREWS WITH SUFFICIENT LENGTH TO ACHIEVE A 1 1/4" MINIMUM EMBEDMENT INTO SUBSTRATE. LOCATE ANCHORS AS SHOWN IN ELEVATIONS AND INSTALLATION DETAILS.
16. FOR ANCHORING THROUGH FRAME INTO MASONRY/CONCRETE USE 1/4" TAPCONS WITH SUFFICIENT LENGTH TO ACHIEVE A 1 1/4" MINIMUM EMBEDMENT INTO SUBSTRATE WITH 2" MINIMUM EDGE DISTANCE. LOCATE ANCHORS AS SHOWN IN ELEVATIONS AND INSTALLATION DETAILS.
17. FOR ANCHORING THROUGH FRAME INTO METAL STRUCTURE USE #10 SMS OR SELF DRILLING SCREWS WITH SUFFICIENT LENGTH TO ACHIEVE 3 THREADS MINIMUM BEYOND STRUCTURE INTERIOR WALL. LOCATE ANCHORS AS SHOWN IN ELEVATIONS AND INSTALLATION DETAILS.
18. ALL FASTENERS TO BE CORROSION RESISTANT.
19. INSTALLATION ANCHORS SHALL BE INSTALLED IN ACCORDANCE WITH ANCHOR MANUFACTURER'S INSTALLATION INSTRUCTIONS AND ANCHORS SHALL NOT BE USED IN SUBSTRATES WITH STRENGTHS LESS THAN THE MINIMUM STRENGTH SPECIFIED BELOW:
 - A. WOOD: MINIMUM SPECIFIC GRAVITY OF G=0.42
 - B. CONCRETE: MINIMUM COMPRESSIVE STRENGTH OF 2,000 PSI.
 - C. MASONRY: HOLLOW/FILLED BLOCK PER ASTM C90 WITH Fm=2,000PSI MINIMUM.
 - D. METAL STRUCTURE: STEEL 18GA (.048") FY=33KSI/FU=52KSI OR ALUMINUM 6063-T5 FU=30KSI .075" THICK MINIMUM
20. APPROVED CONFIGURATIONS: OXXO, OXX, XXO, XX, OXO, OX, XO.

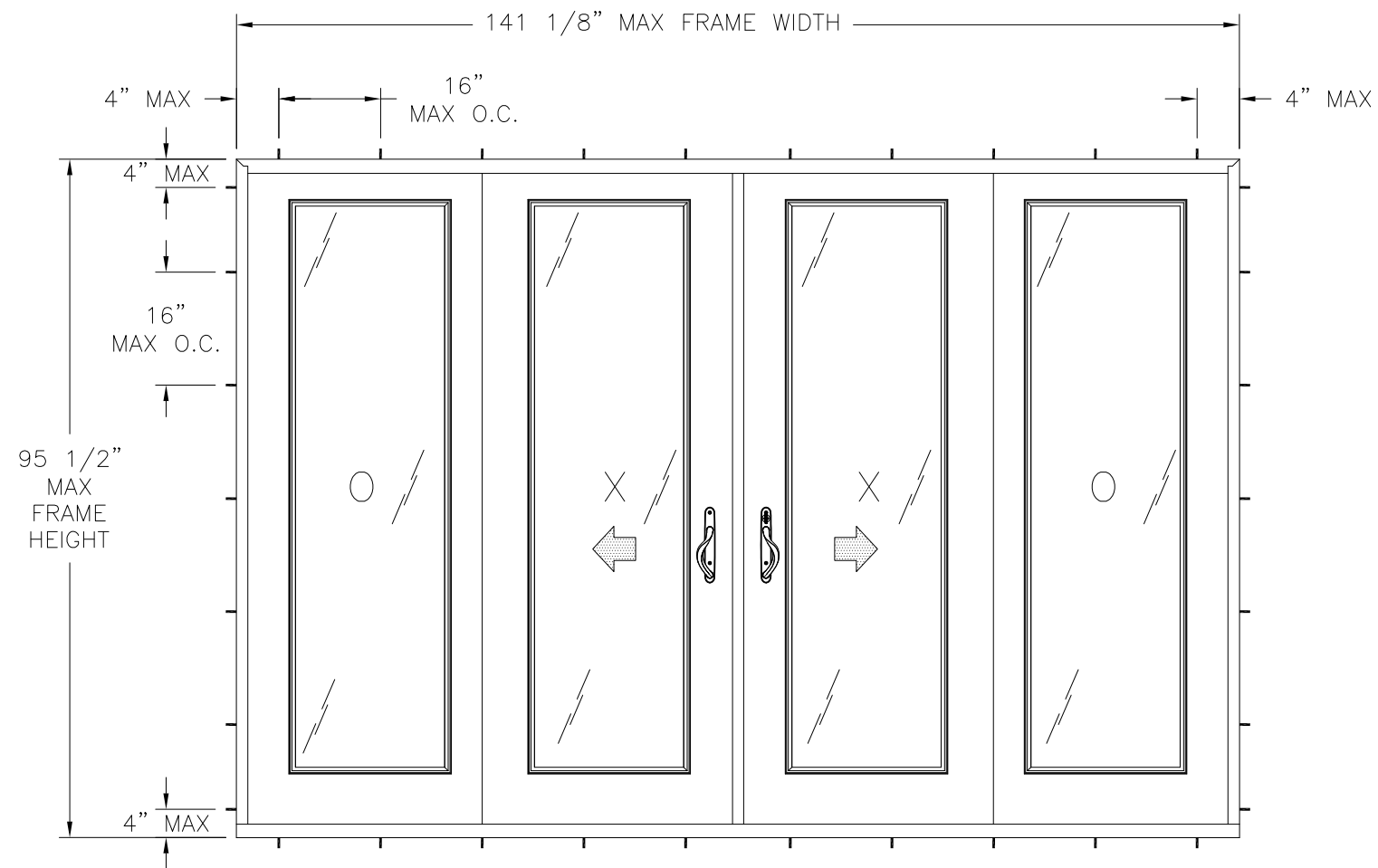
SIGNED: 04/25/2018

TABLE OF CONTENTS	
SHEET NO.	DESCRIPTION
1	NOTES
2	ELEVATION & GLAZING DETAIL
3 - 5	INSTALLATION DETAILS
6	COMPONENTS

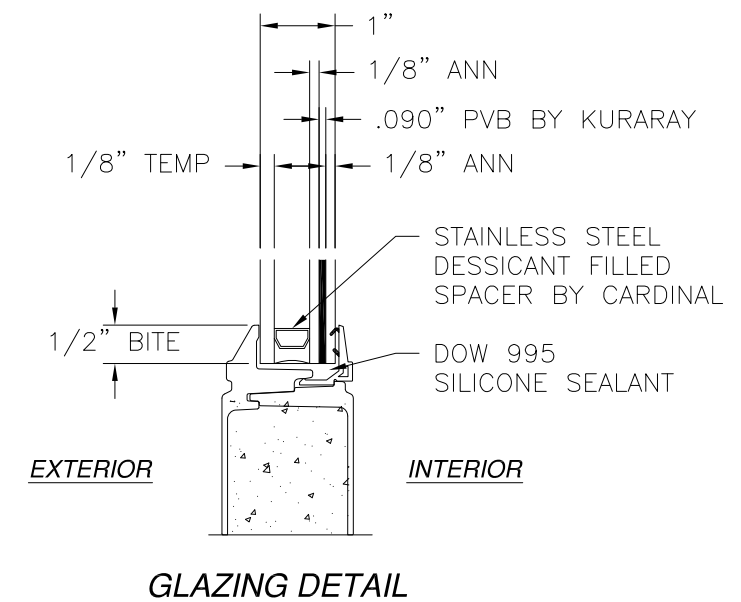
NAN YA PLASTICS CORP. USA 8909 NORTH LOOP EAST, SUITE 800 HOUSTON, TX 77029		
FIBERGLASS GLIDING FRENCH PATIO DOOR W/SIDELITES REINFORCED NOTES		
DRAWN: V.L.	DWG NO. 08-02990	REV -
SCALE NTS	DATE 11/08/16	SHEET 1 OF 6
L. ROBERTO LOMAS P.E. 1432 WOODFORD RD LEWISVILLE, NC 27023 434-688-0609 rllomas@rlomaspe.com		

Luis R. Lomas P.E.
FL No.: 62514

REVISIONS			
REV	DESCRIPTION	DATE	APPROVED



GLIDING FRENCH PATIO DOOR
EXTERIOR VIEW



GLAZING DETAIL

DESIGN PRESSURE RATING	IMPACT RATING
±50.0PSF	LARGE AND SMALL MISSILE IMPACT

MISSILE LEVEL D, WIND ZONE 4, AND HVHZ

SIGNED: 04/25/2018

- NOTES:
1. MAXIMUM PANEL SIZE: 35 3/4" X 92 3/8"
 2. MAXIMUM D.L.O.: 25" X 79"

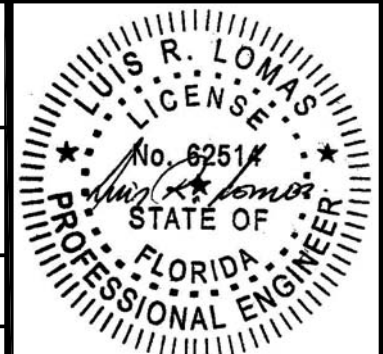
HARDWARE SCHEDULE	
A.	(1) STAINLESS STEEL MULTI-POINT LOCK (SS733) W/ KEEPERS BY MICOTA
B.	(2) DIE-CAST HANDLE SETS (SS725) BY MICOTA
C.	(4) STAINLESS STEEL TANDEM ROLLERS (SS734) WITHIN BOTTOM RAIL BY MICOTA
D.	(8) GALVANIZED STEEL BARS WITHIN EACH FRAME COMPONENT
E.	(3) ALUMINUM REINFORCEMENTS BETWEEN EACH PANEL
F.	T ASTRAGAL (SA108) BETWEEN OPERABLE PANELS
G.	INTERLOCK STRIP (PS745) BETWEEN FIXED AND OPERABLE PANELS
H.	INTERLOCK STRIP (PS744) BETWEEN FIXED AND OPERABLE PANELS
I.	(2) ALUMINUM PANEL REINFORCEMENT (SA109) AT EACH EXPOSED SIDE OF FIXED PANELS

NAN YA PLASTICS CORP. USA
8909 NORTH LOOP EAST, SUITE 800
HOUSTON, TX 77029

FIBERGLASS GLIDING FRENCH PATIO DOOR
W/SIDELITES REINFORCED
ELEVATION & GLAZING DETAIL

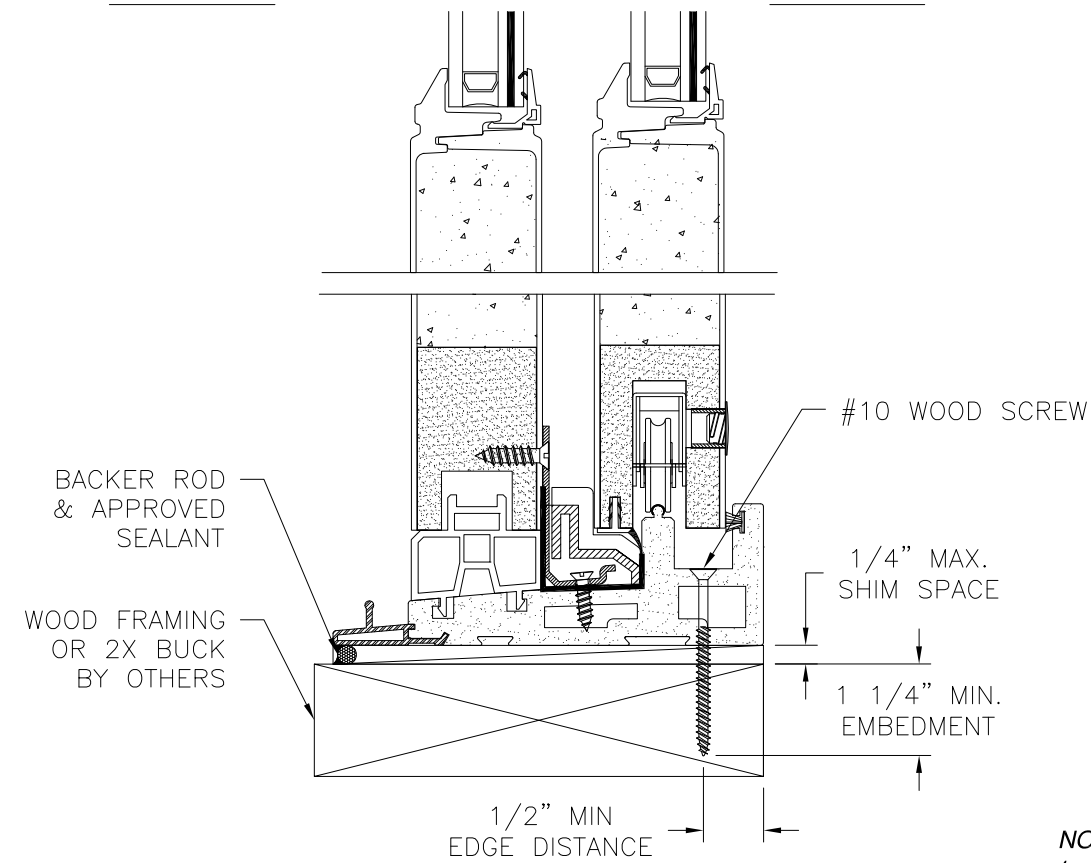
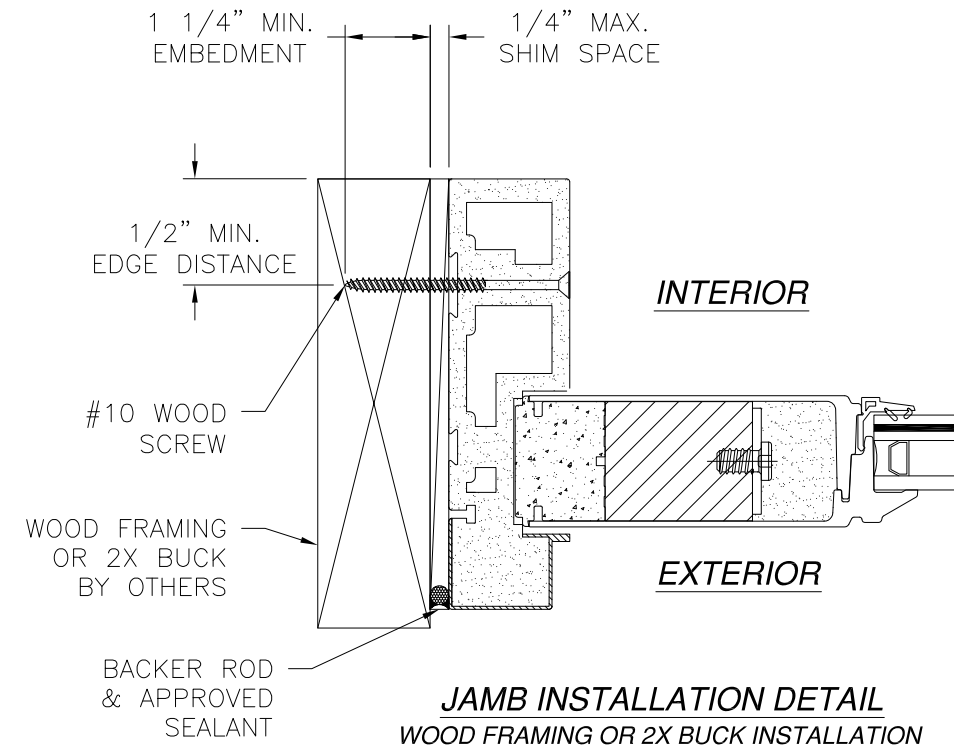
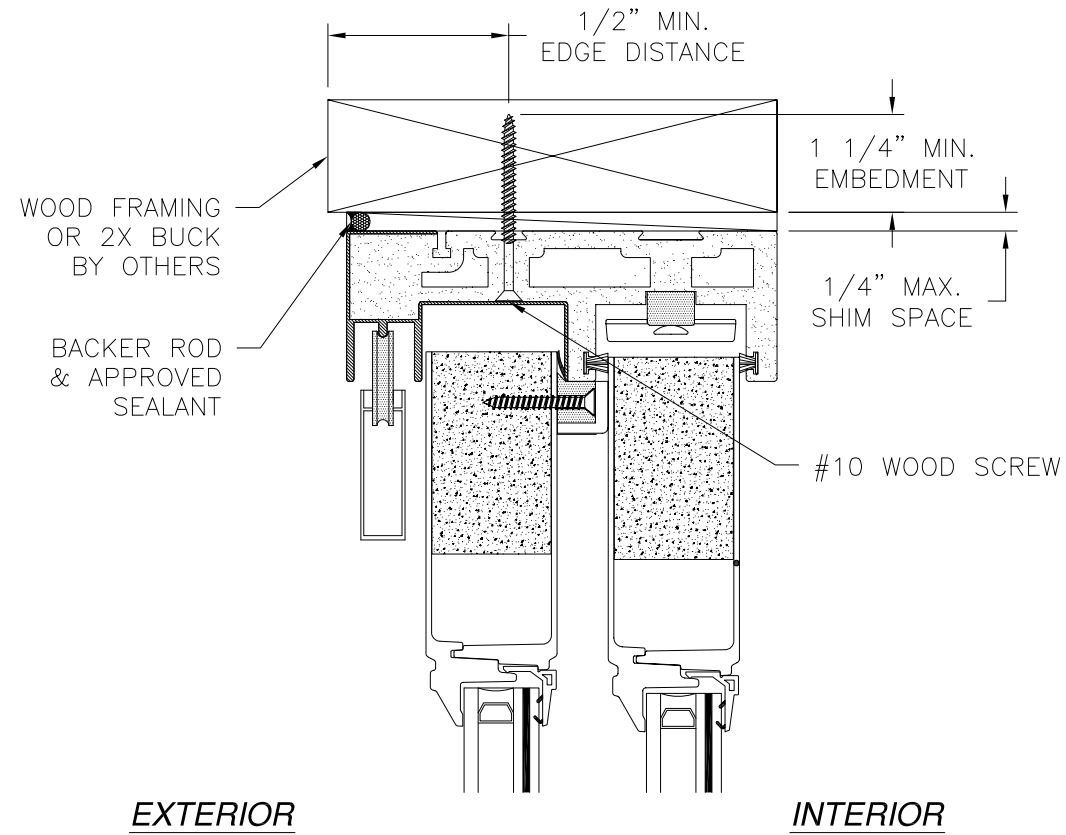
DRAWN: V.L.	DWG NO. 08-02990	REV -
SCALE NTS	DATE 11/08/16	SHEET 2 OF 6

L. ROBERTO LOMAS P.E.
1432 WOODFORD RD LEWISVILLE, NC 27023
434-688-0609 rllomas@rlomaspe.com



Luis R. Lomas P.E.
FL No.: 62514

REVISIONS			
REV	DESCRIPTION	DATE	APPROVED

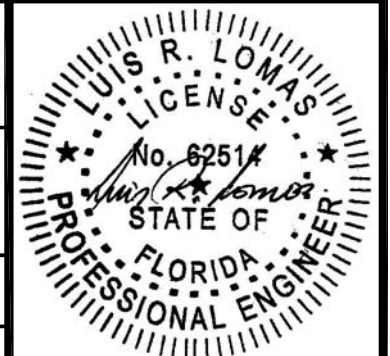


VERTICAL CROSS SECTION
WOOD FRAMING OR 2X BUCK INSTALLATION

- NOTES:**
1. INTERIOR AND EXTERIOR FINISHES, BY OTHERS, NOT SHOWN FOR CLARITY.
 2. PERIMETER AND JOINT SEALANT BY OTHERS TO BE DESIGNED IN ACCORDANCE WITH ASTM E2112

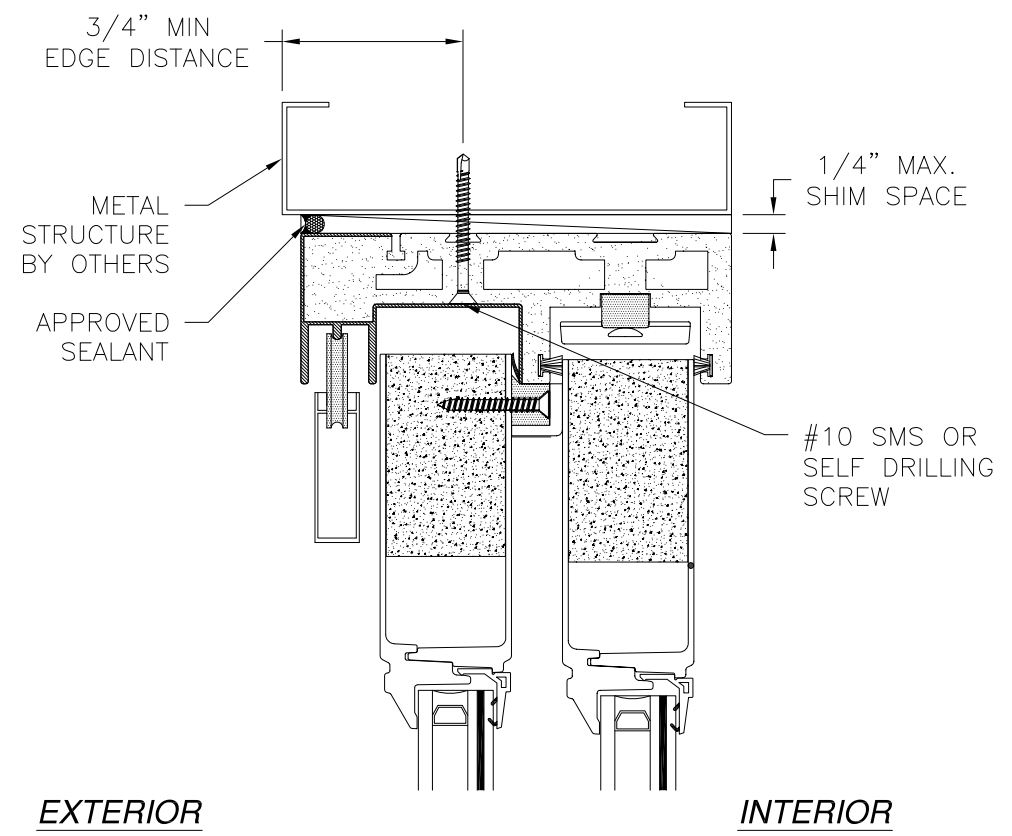
NAN YA PLASTICS CORP. USA 8909 NORTH LOOP EAST, SUITE 800 HOUSTON, TX 77029		
FIBERGLASS GLIDING FRENCH PATIO DOOR W/SIDELITES REINFORCED INSTALLATION DETAILS		
DRAWN: V.L.	DWG NO. 08-02990	REV -
SCALE NTS	DATE 11/08/16	SHEET 3 OF 6
L. ROBERTO LOMAS P.E. 1432 WOODFORD RD LEWISVILLE, NC 27023 434-688-0609 rllomas@rlomaspe.com		

SIGNED: 04/25/2018

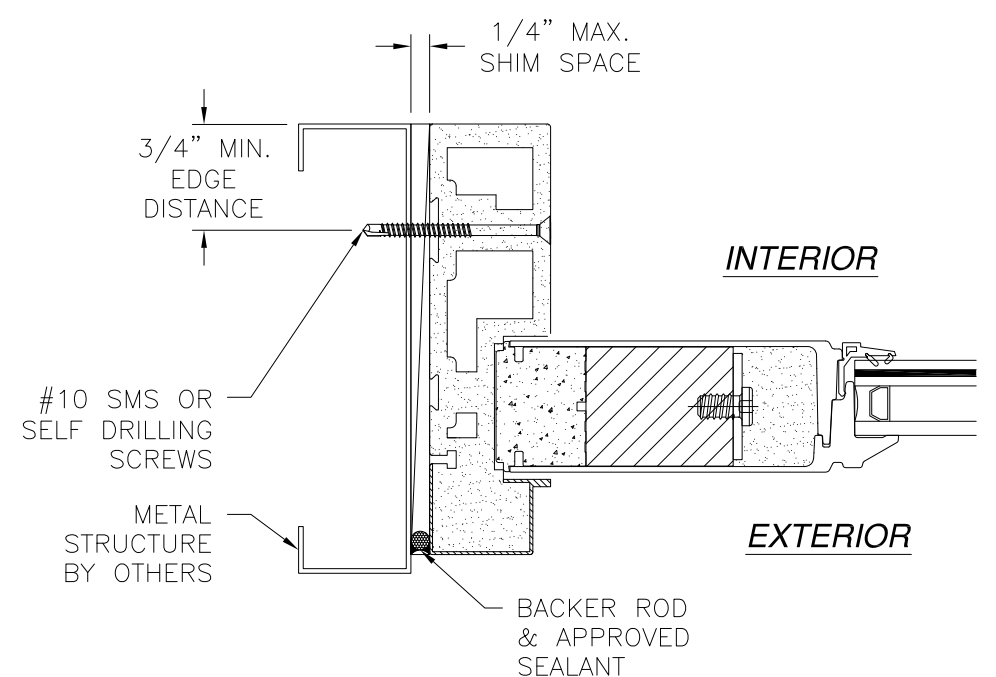


Luis R. Lomas P.E.
FL No.: 62514

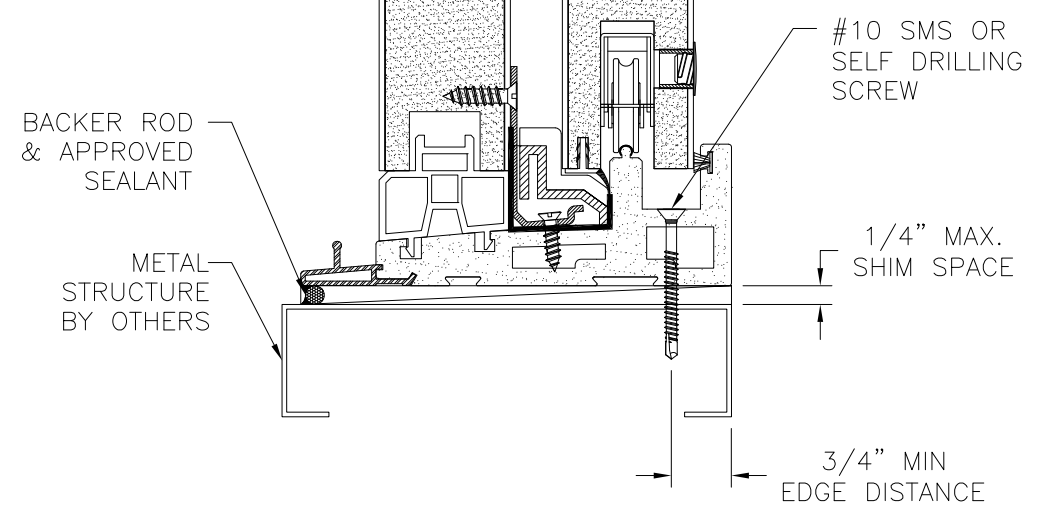
REVISIONS			
REV	DESCRIPTION	DATE	APPROVED



VERTICAL CROSS SECTION
METAL STRUCTURE INSTALLATION



JAMB INSTALLATION DETAIL
METAL STRUCTURE INSTALLATION



- NOTES:**
- INTERIOR AND EXTERIOR FINISHES, BY OTHERS, NOT SHOWN FOR CLARITY.
 - PERIMETER AND JOINT SEALANT BY OTHERS TO BE DESIGNED IN ACCORDANCE WITH ASTM E2112

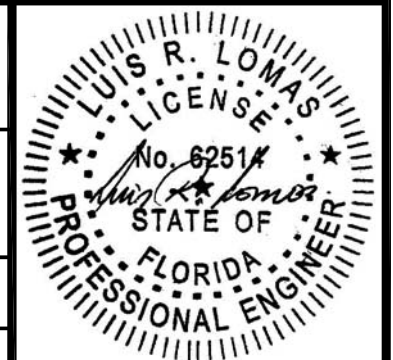
NAN YA PLASTICS CORP. USA
8909 NORTH LOOP EAST, SUITE 800
HOUSTON, TX 77029

FIBERGLASS GLIDING FRENCH PATIO DOOR
W/SIDELITES REINFORCED
INSTALLATION DETAILS

DRAWN: V.L.	DWG NO. 08-02990	REV -
SCALE NTS	DATE 11/08/16	SHEET 4 OF 6

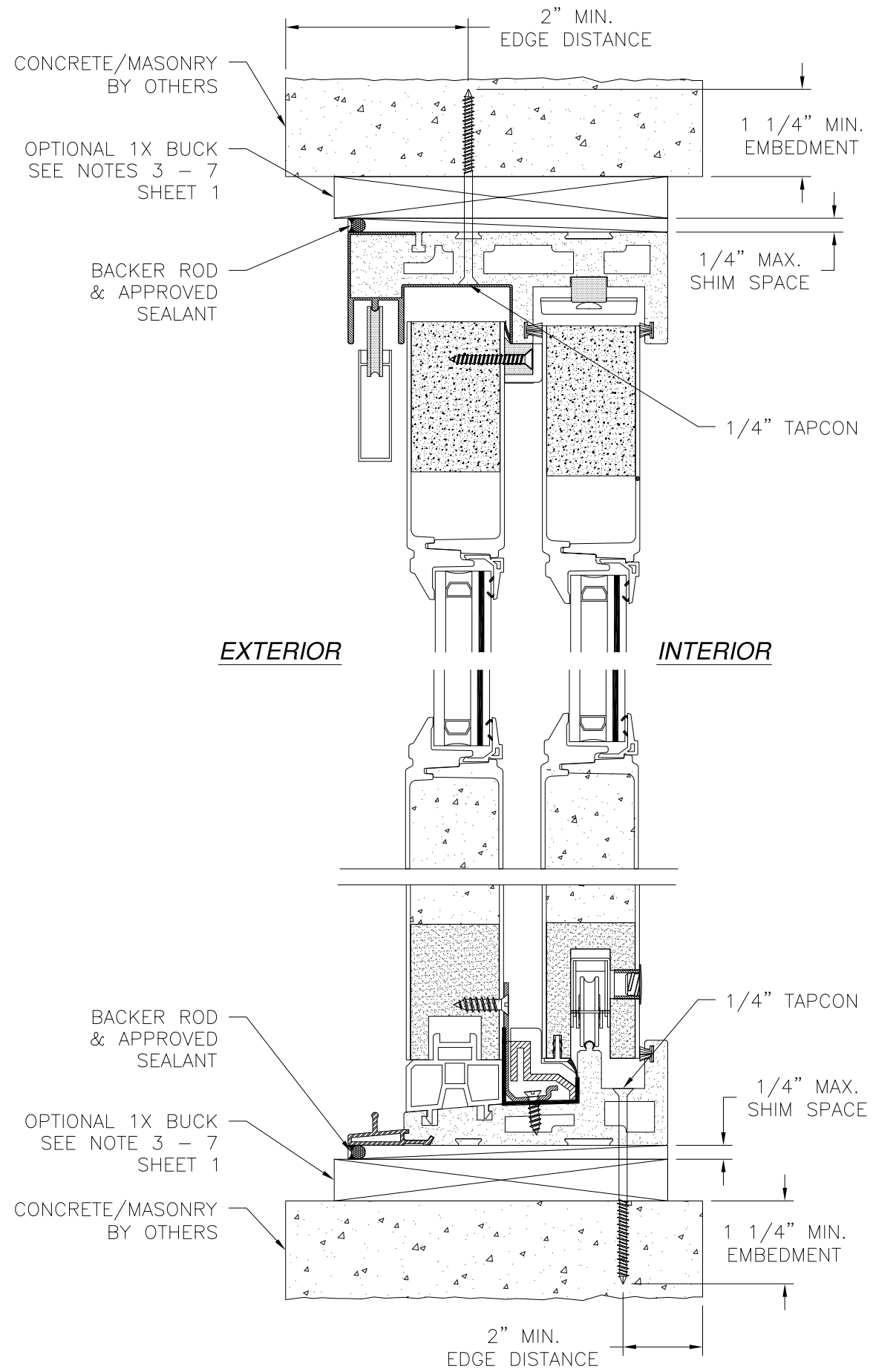
L. ROBERTO LOMAS P.E.
1432 WOODFORD RD LEWISVILLE, NC 27023
434-688-0609 rllomas@rlomaspe.com

SIGNED: 04/25/2018

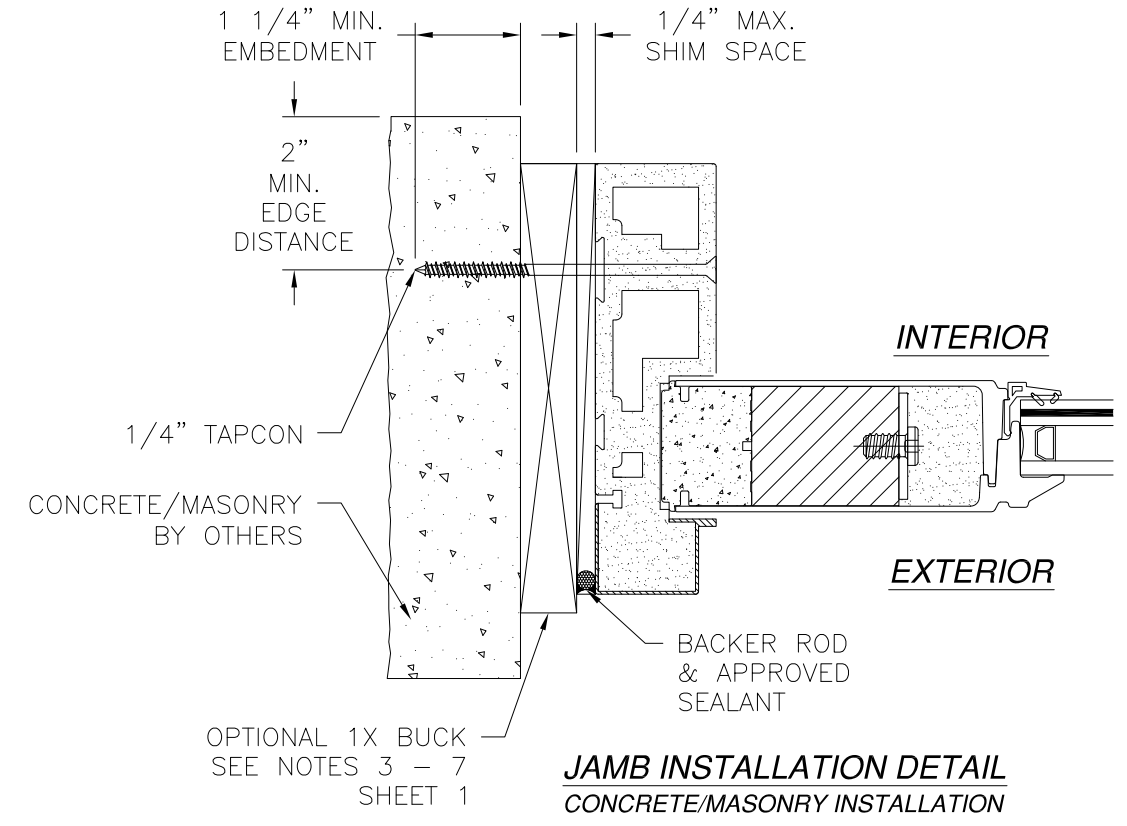


Luis R. Lomas P.E.
FL No.: 62514

REVISIONS			
REV	DESCRIPTION	DATE	APPROVED



VERTICAL CROSS SECTION
CONCRETE/MASONRY INSTALLATION



JAMB INSTALLATION DETAIL
CONCRETE/MASONRY INSTALLATION

- NOTES:**
1. INTERIOR AND EXTERIOR FINISHES, BY OTHERS, NOT SHOWN FOR CLARITY.
 2. PERIMETER AND JOINT SEALANT BY OTHERS TO BE DESIGNED IN ACCORDANCE WITH ASTM E2112

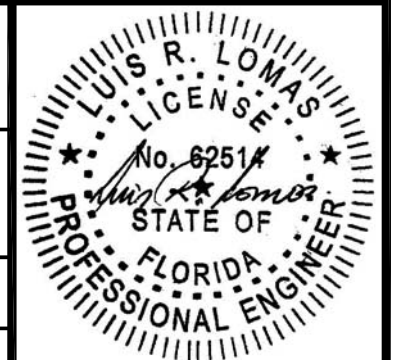
NAN YA PLASTICS CORP. USA
8909 NORTH LOOP EAST, SUITE 800
HOUSTON, TX 77029

FIBERGLASS GLIDING FRENCH PATIO DOOR
W/SIDELITES REINFORCED
INSTALLATION DETAILS

DRAWN: V.L.	DWG NO. 08-02990	REV -
SCALE NTS	DATE 11/08/16	SHEET 5 OF 6

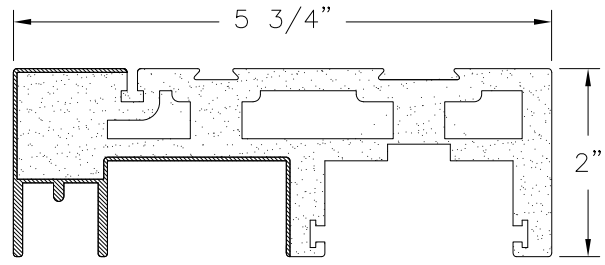
L. ROBERTO LOMAS P.E.
1432 WOODFORD RD LEWISVILLE, NC 27023
434-688-0609 rllomas@lrlomaspe.com

SIGNED: 04/25/2018

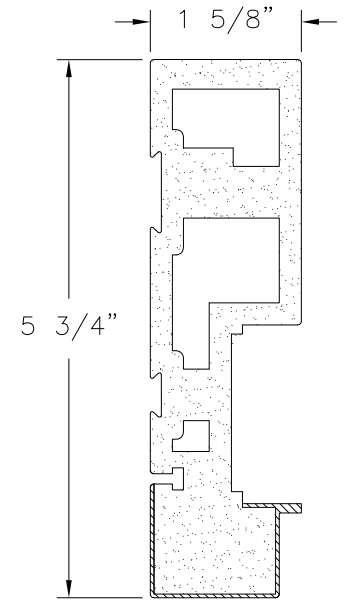


Luis R. Lomas P.E.
FL No.: 62514

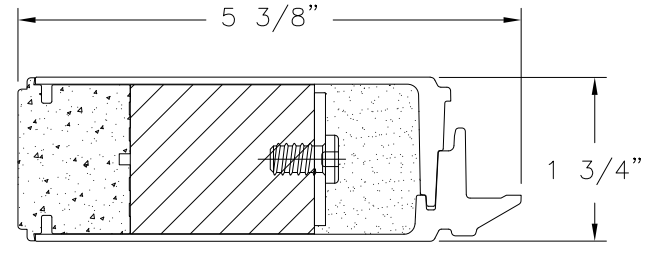
REVISIONS			
REV	DESCRIPTION	DATE	APPROVED



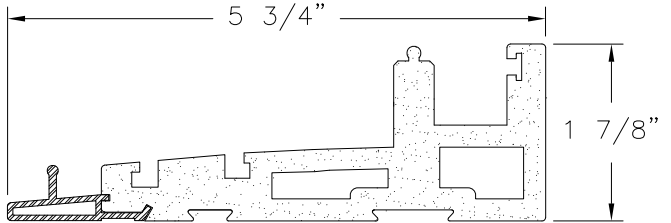
FRAME HEAD
PS711, CELLULAR PVC



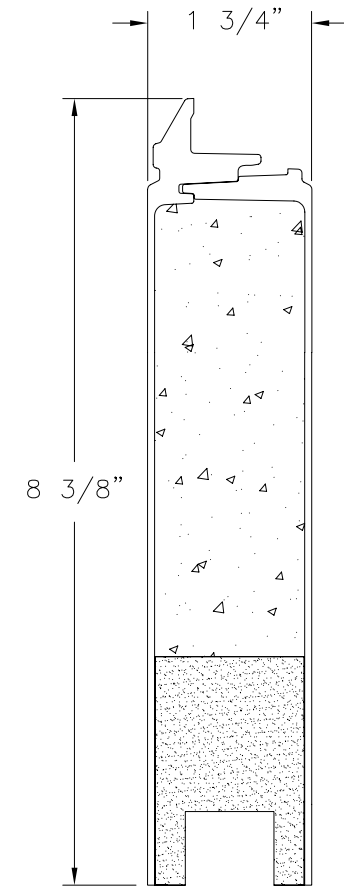
SIDE JAMB
PS715, CELLULAR PVC



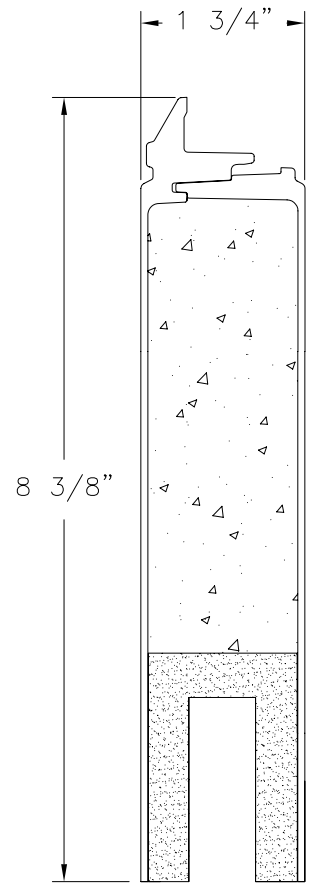
STILE
PVC FOAM AND WOOD



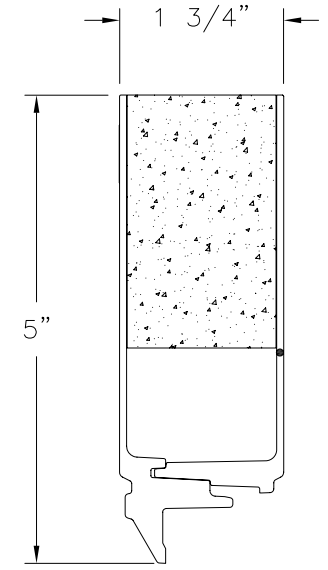
SILL
PS713, CELLULAR PVC & ALUMINUM



FIXED PANEL BOTTOM RAIL
PAS7F, PVC FOAM



OPERABLE PANEL BOTTOM RAIL
PAS7F, PVC FOAM



OPERABLE AND FIXED PANEL TOP RAIL
PAS74, PVC FOAM

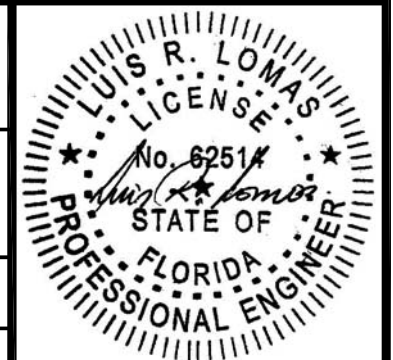
NAN YA PLASTICS CORP. USA
8909 NORTH LOOP EAST, SUITE 800
HOUSTON, TX 77029

FIBERGLASS GLIDING FRENCH PATIO DOOR
W/SIDELITES REINFORCED
COMPONENTS

DRAWN: V.L.	DWG NO. 08-02990	REV -
SCALE NTS	DATE 11/08/16	SHEET 6 OF 6

L. ROBERTO LOMAS P.E.
1432 WOODFORD RD LEWISVILLE, NC 27023
434-688-0609 rllomas@lrlomaspe.com

SIGNED: 04/25/2018



Luis R. Lomas P.E.
FL No.: 62514