



FIBERGLASS DOOR UNIT
8'-0" DOUBLE DOOR WITH / WITHOUT SIDELITES

GENERAL NOTES

- EVALUATED FOR USE IN LOCATIONS ADHERING TO THE FLORIDA BUILDING CODE AND WHERE PRESSURE REQUIREMENTS AS DETERMINED BY ASCE 7, MINIMUM DESIGN LOADS FOR BUILDINGS AND OTHER STRUCTURES, DOES NOT EXCEED THE DESIGN PRESSURES LISTED.
- WHEN INSTALLED IN THE HIGH VELOCITY HURRICANE ZONE (HVHZ), HURRICANE PROTECTIVE SYSTEM (SHUTTERS) IS REQUIRED.
- WHEN INSTALLED IN THE WIND-BORNE DEBRIS REGION, EXCLUDING THE HIGH VELOCITY HURRICANE ZONE (HVHZ), HURRICANE PROTECTIVE SYSTEM IS NOT REQUIRED ON OPAQUE PANELS OR PANELS WITH IMPACT GLASS, BUT IS REQUIRED ON PANELS WITH NON-IMPACT GLASS.
- POLYURETHANE CORE FLAME SPREAD INDEX OF 50 AND SMOKE DEVELOPED INDEX OF 60 PER ASTM E84.

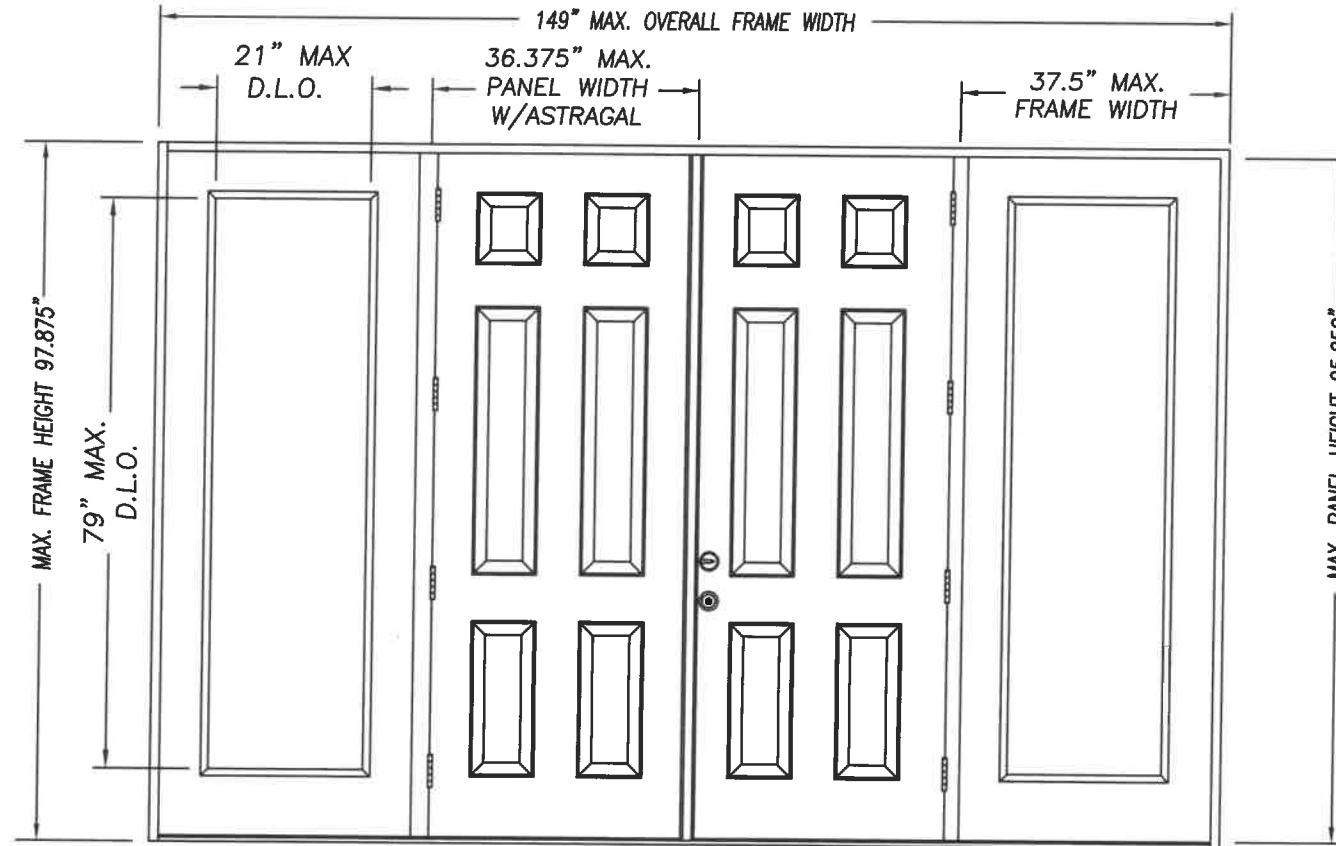
6. PLASTICS TESTING:

TEST DESCRIPTION	DESIGNATION	FACING	LITE FRAME
SELF IGNITION TEMP	ASTM D1929	752 °F > 650 °F	842 °F > 650 °F
RATE OF BURNING	ASTM D635	0.56 IN/MIN	1.28 IN/MIN
SMOKE DENSITY	ASTM D2843	53.4%	70.2%
TENSILE STRENGTH*	ASTM D638	3.2% DIFF	1.8% DIFF

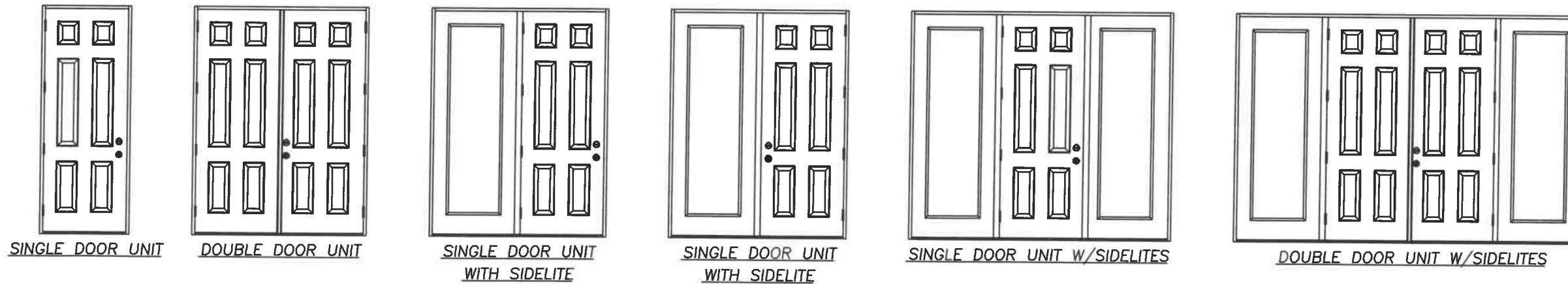
6. PLASTICS TESTING OF WORLDWIDE COMPOSITE FRAME (WHERE USED):

TEST DESCRIPTION	DESIGNATION	RESULT
SELF IGNITION TEMP	ASTM D1929	779 °F > 650 °F
RATE OF BURNING	ASTM D635	0.0 IN/MIN
SMOKE DENSITY	ASTM D2843	39.0%
TENSILE STRENGTH*	ASTM D638	3.6% DIFF

* COMPARATIVE TENSILE STRENGTH AFTER WEATHERING
 4500 HOURS XENON ARC METHOD 1



DOUBLE DOOR UNIT W/SIDELITES



CONFIG	MAX WIDTH	DESIGN PRESSURE RATING		WHERE WATER INFILTRATION PERFORMANCE IS REQUIRED TO BE 15% OF DESIGN PRESSURE					
		INSWING	OUTSWING	INSWING	BUMPER O/S	Z-SERIES O/S	T4 O/S	HIGH DAM O/S	
X	37.5"	+60.0 / -65.0	+60.0 / -60.0	N/A	+25.0 / -25.0	+40.0 / -40.0	+60.0 / -60.0	+55.0 / -55.0	
XX	74"	+50.0 / -50.0	+50.0 / -50.0	N/A	+25.0 / -25.0	+40.0 / -40.0	+50.0 / -50.0	+50.0 / -50.0	
OX or XO	75"	+50.0 / -50.0	+50.0 / -50.0	N/A	+25.0 / -25.0	+40.0 / -40.0	+50.0 / -50.0	+50.0 / -50.0	
OXO	112.5"	+50.0 / -50.0	+50.0 / -50.0	N/A	+25.0 / -25.0	+40.0 / -40.0	+50.0 / -50.0	+50.0 / -50.0	
OXXO	149"	+50.0 / -50.0	+50.0 / -50.0	N/A	+25.0 / -25.0	+40.0 / -40.0	+50.0 / -50.0	+50.0 / -50.0	

Addendum to NAMM

Certification No.: NT013717
 Reviewed By: [Signature]
 Date Reviewed: 11/28/17

Kurt Balthazor

KURT BALTHAZOR
 FLORIDA P.E.
 #56533

MASONITE INTERNATIONAL CORP.
 1955 POWIS ROAD
 WEST CHICAGO, IL 60185

PRODUCT: EXTERIOR DOOR PRODUCT*
 DOUBLE 8'0" OPAQUE
 FIBERGLASS DOOR
 PART OR ASSEMBLY:
 TYPICAL ELEVATIONS
 & GENERAL NOTES

NO.	DATE	UPDATED DATA	SWS	BY
A	11/27/17			

DATE: 4/26/17
 SCALE: N.T.S.
 DWG. BY: SWS
 CHK. BY:
 DRAWING NO.:
 DWG-MA-FL0188-17
 SHEET 1 OF 4

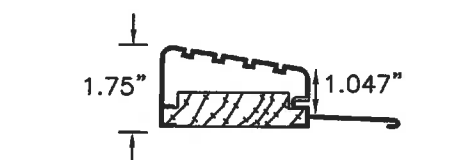
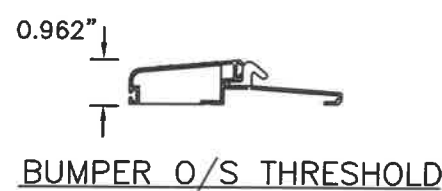
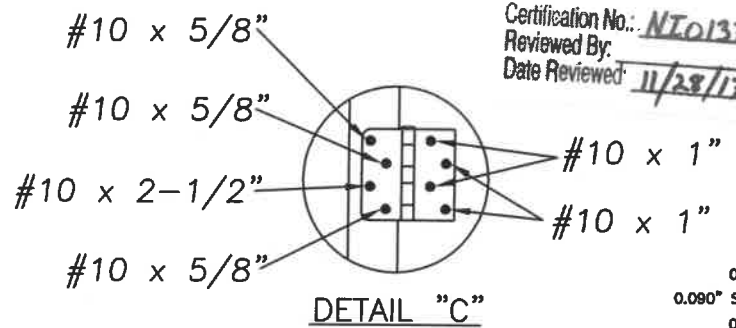
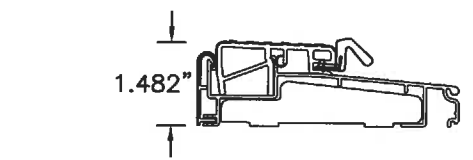
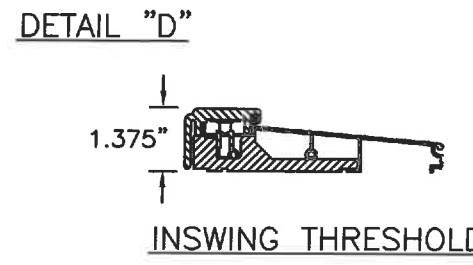
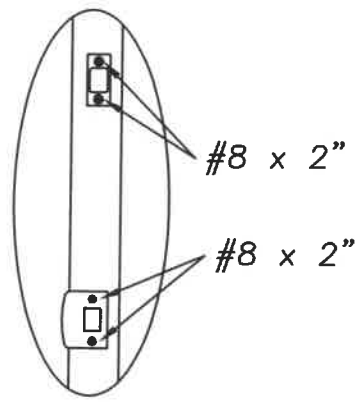
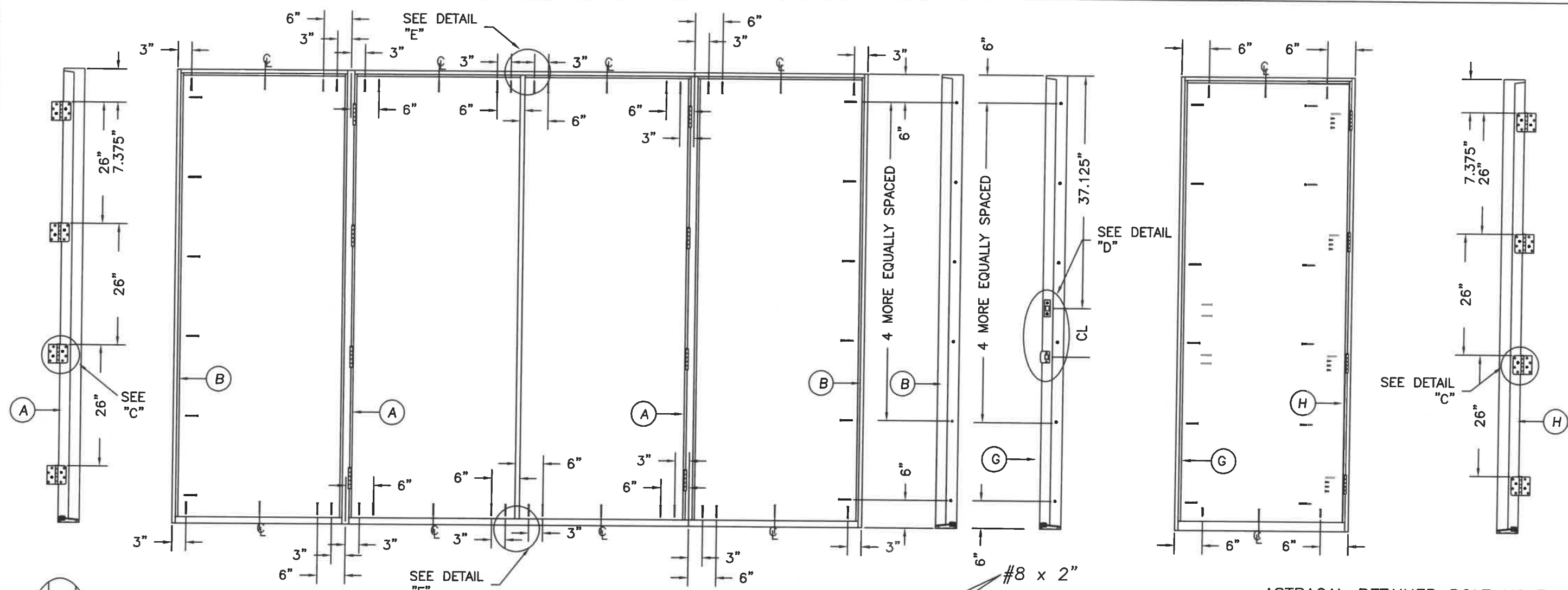
SHEET #	DESCRIPTION
1	TYPICAL ELEVATIONS & GENERAL NOTES
2	ANCHORING LOCATIONS & DETAILS
3	ANCHORING LOCATIONS & DETAILS
4	ANCHORING LOCATIONS & DETAILS

MASONITE INTERNATIONAL CORP.
 1955 POWIS ROAD
 WEST CHICAGO, IL 60185

PRODUCT: EXTERIOR DOOR PRODUCT*
 8'0 FIBERGLASS OPAQUE
 DOUBLE DOOR UNIT
 PART OR ASSEMBLY:
 ANCHORING LOCATIONS
 & DETAILS

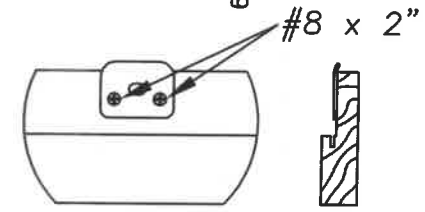
NO.	DATE	UPDATED DATA	SWS	BY
A	11/27/17			

DATE: 4/26/17
 SCALE: N.T.S.
 DWG. BY: SWS
 CHK. BY:
 DRAWING NO.:
 DWG-MA-FL0188-17
 SHEET 2 OF 4

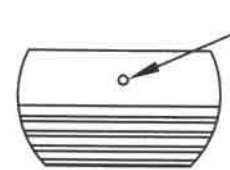
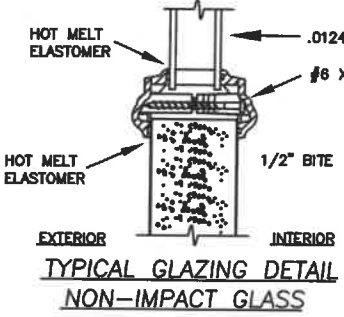
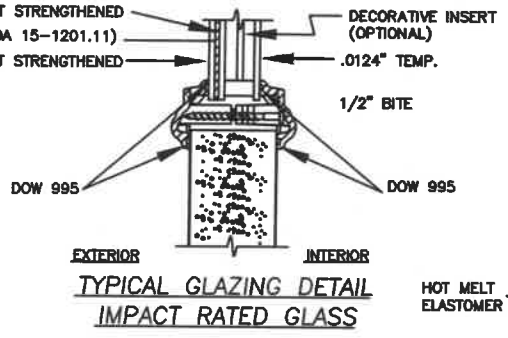


Addendum to NAMI

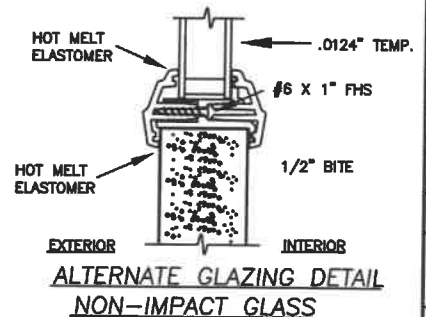
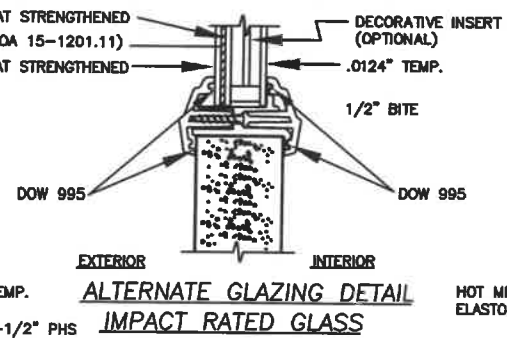
Certification No.: NT013217
 Reviewed By: *[Signature]*
 Date Reviewed: 11/28/17



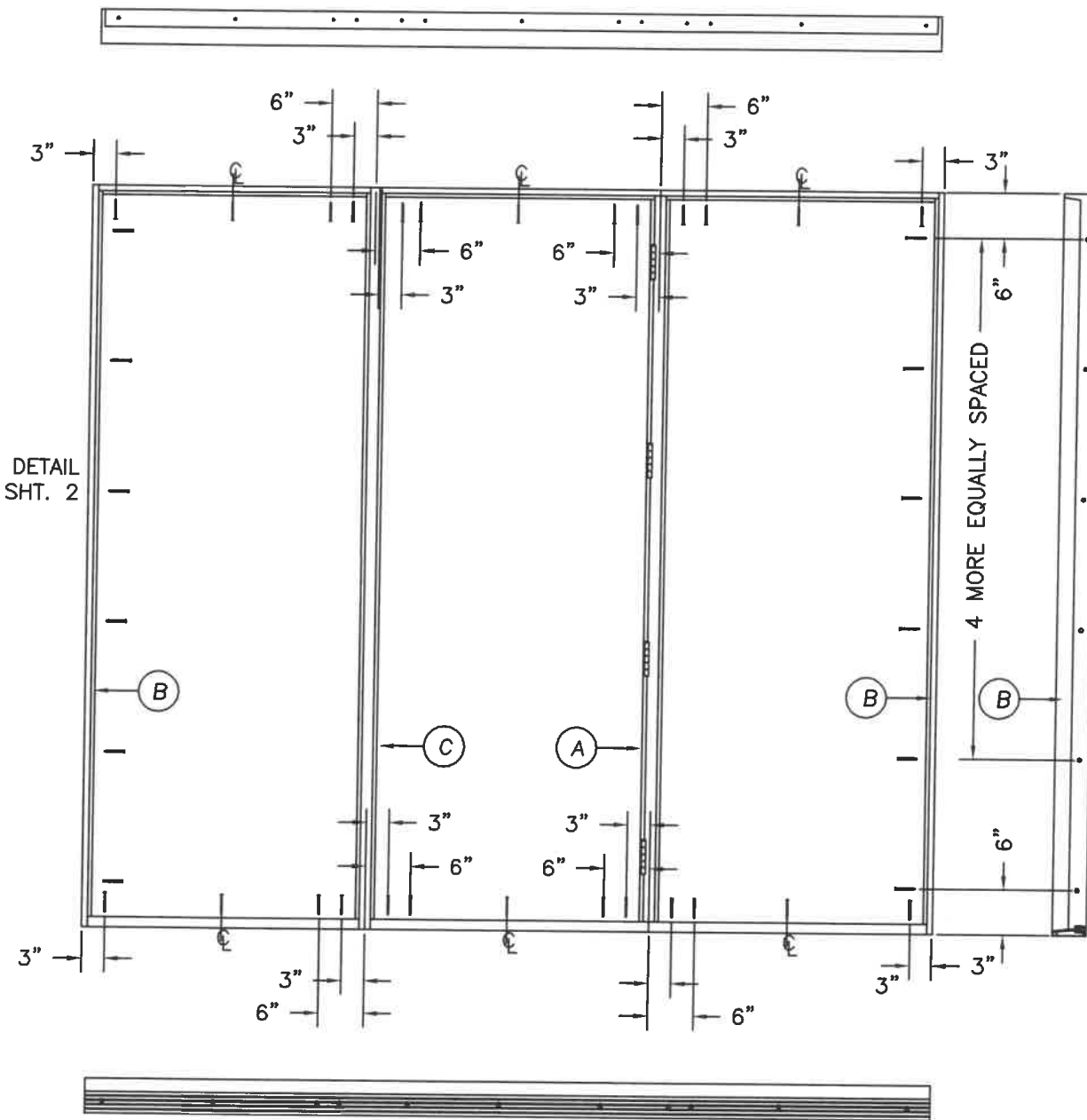
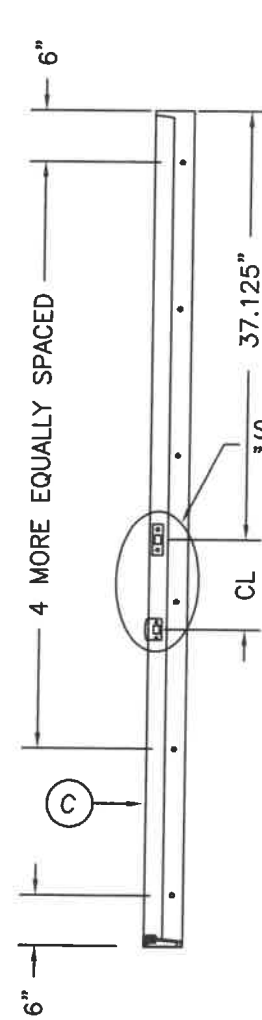
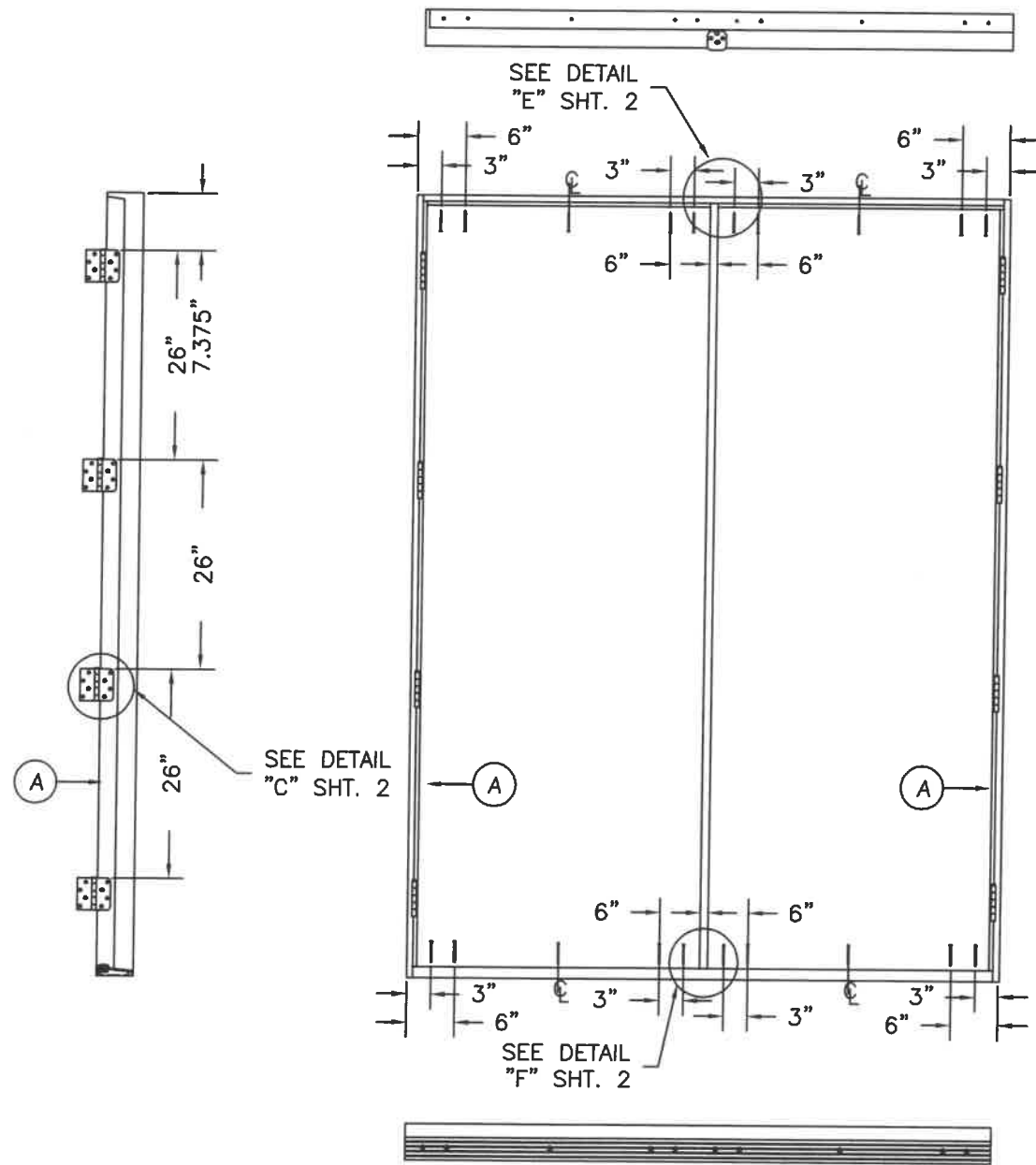
DETAIL "E" ASTRAGAL
 ATTACH ASTRAGAL RETAINER BOLT STRIKE PLATE TO FRAME AS SHOWN.



DETAIL "F" ASTRAGAL



ASTRAGAL RETAINER BOLT HOLE MUST BE DRILLED THROUGH THE THRESHOLD & INTO THE STRUCTURE DEEP ENOUGH FOR A 1.375\"/>



Addendum to NAMI
 Certification No.: NI013717
 Reviewed By: [Signature]
 Date Reviewed: 11/28/17

PRODUCT: "EXTERIOR DOOR PRODUCT" 8'0" FIBERGLASS OPAQUE DOUBLE DOOR UNIT		PART OR ASSEMBLY: ANCHORING LOCATIONS & DETAILS	
DATE	11/27/17	SWS	BY
NO.	A	UPDATED DATA	REVISIONS
DATE	11/27/17		
DATE	4/26/17		
SCALE	N.T.S.		
DWG. BY	SWS		
CHK. BY			
DRAWING NO.	DWG-MA-FLO188-17		
SHEET	3	OF	4

MASONITE INTERNATIONAL CORP.
 1955 POWIS RD.
 WEST CHICAGO, IL 60185

