



**IMPACT GLAZED FIBERGLASS DOOR UNIT  
6'-8" DOUBLE DOOR WITH / WITHOUT SIDELITES**

**GENERAL NOTES**

1. EVALUATED FOR USE IN LOCATIONS ADHERING TO THE FLORIDA BUILDING CODE AND WHERE PRESSURE REQUIREMENTS AS DETERMINED BY ASCE 7, MINIMUM DESIGN LOADS FOR BUILDINGS AND OTHER STRUCTURES, DOES NOT EXCEED THE DESIGN PRESSURES LISTED.
2. WHEN INSTALLED IN THE HIGH VELOCITY HURRICANE ZONE (HVHZ), HURRICANE PROTECTIVE SYSTEM (SHUTTERS) IS REQUIRED.
3. WHEN INSTALLED IN THE WIND-BORNE DEBRIS REGION, EXCLUDING THE HIGH VELOCITY HURRICANE ZONE (HVHZ), HURRICANE PROTECTIVE SYSTEM IS NOT REQUIRED.
4. POLYURETHANE CORE FLAME SPREAD INDEX OF 50 AND SMOKE DEVELOPED INDEX OF 60 PER ASTM E84.

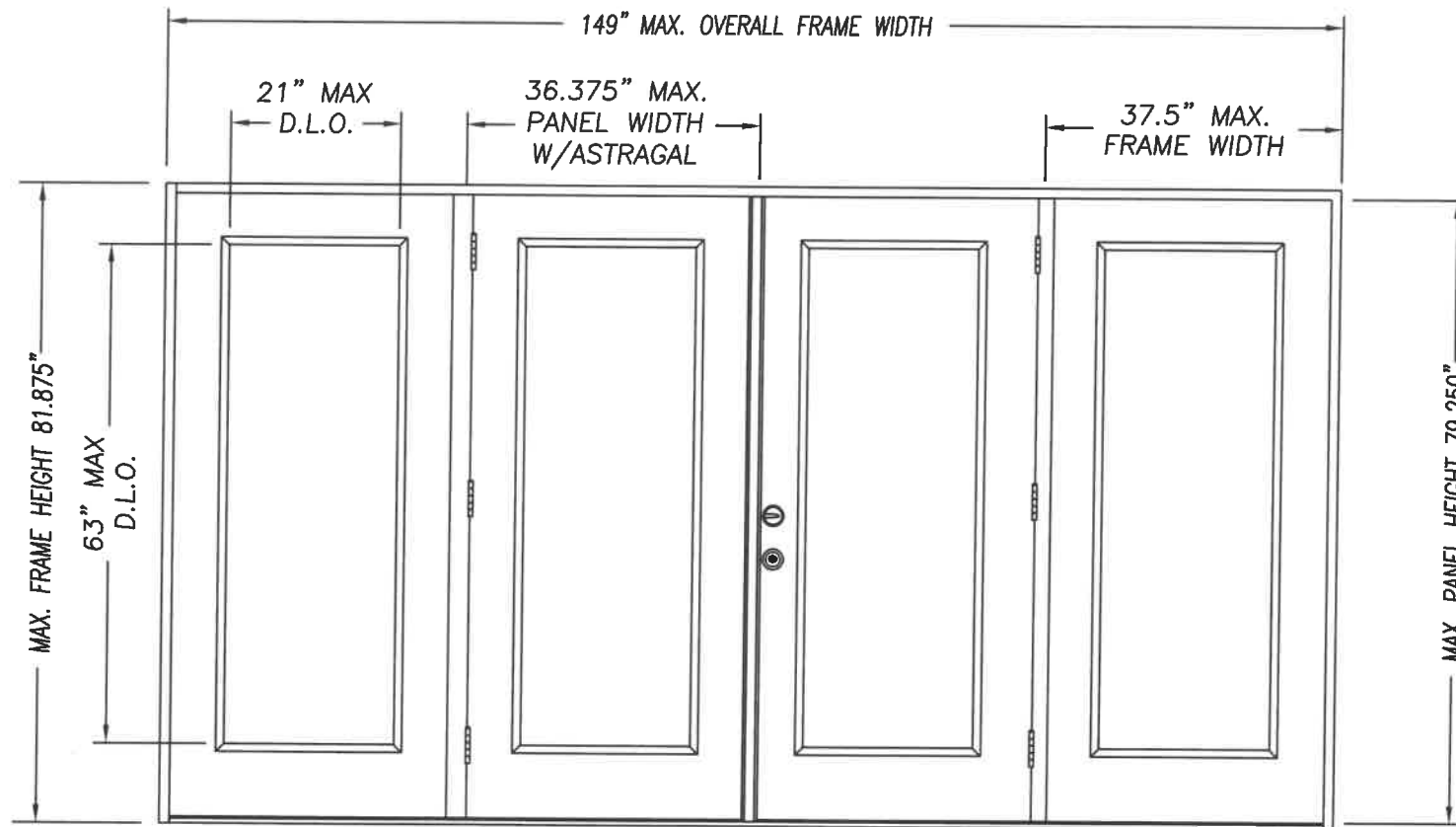
**5. PLASTICS TESTING:**

TEST DESCRIPTION	DESIGNATION	FACING	LITE FRAME
SELF IGNITION TEMP	ASTM D1929	752 °F > 650 °F	842 °F > 650 °F
RATE OF BURNING	ASTM D635	0.56 IN/MIN	1.28 IN/MIN
SMOKE DENSITY	ASTM D2843	53.4%	70.2%
TENSILE STRENGTH*	ASTM D638	3.2% DIFF	1.8% DIFF

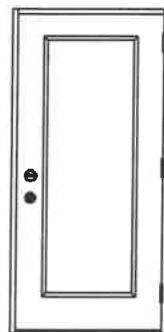
**6. PLASTICS TESTING OF WORLDWIDE COMPOSITE FRAME (WHERE USED):**

TEST DESCRIPTION	DESIGNATION	RESULT
SELF IGNITION TEMP	ASTM D1929	779 °F > 650 °F
RATE OF BURNING	ASTM D635	0.0 IN/MIN
SMOKE DENSITY	ASTM D2843	39.0%
TENSILE STRENGTH*	ASTM D638	3.6% DIFF

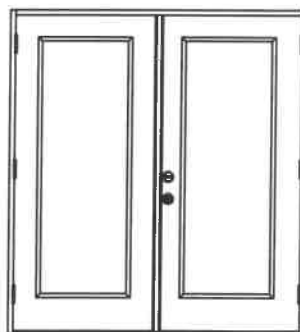
\* COMPARATIVE TENSILE STRENGTH AFTER WEATHERING  
4500 HOURS XENON ARC METHOD 1



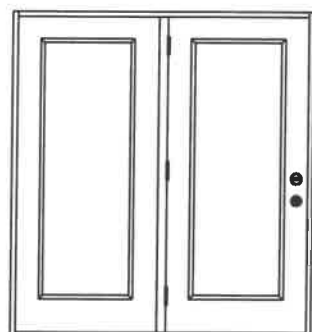
DOUBLE DOOR UNIT W/SIDELITES



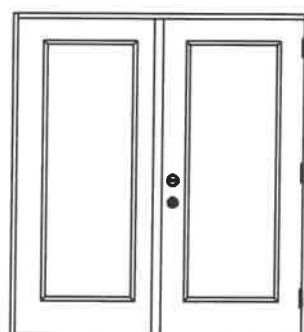
SINGLE DOOR UNIT



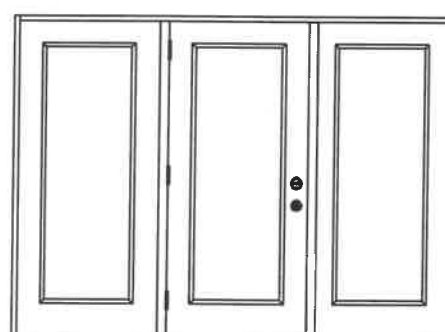
DOUBLE DOOR UNIT



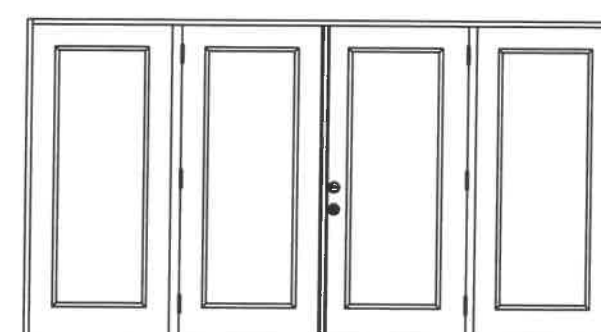
SINGLE DOOR UNIT WITH SIDELITE



SINGLE DOOR UNIT WITH SIDELITE



SINGLE DOOR UNIT W/SIDELITES



DOUBLE DOOR UNIT W/SIDELITES

Addendum to NAMI

Certification No.: NT013217  
Reviewed By: [Signature]  
Date Reviewed: 11/28/17

CONFIG	MAX WIDTH	DESIGN PRESSURE RATING		WHERE WATER INFILTRATION PERFORMANCE IS REQUIRED TO BE 15% OF DESIGN PRESSURE					
		INSWING	OUTSWING	INSWING	BUMPER O/S	Z-SERIES O/S	T4 O/S	HIGH DAM O/S	
X	37.5"	+50.0 / -50.0	+50.0 / -50.0	N/A	+25.0 / -25.0	+40.0 / -40.0	+50.0 / -50.0	+50.0 / -50.0	
XX	74"	+50.0 / -50.0	+50.0 / -50.0	N/A	+25.0 / -25.0	+40.0 / -40.0	+50.0 / -50.0	+50.0 / -50.0	
OX or XO	75"	+50.0 / -50.0	+50.0 / -50.0	N/A	+25.0 / -25.0	+40.0 / -40.0	+50.0 / -50.0	+50.0 / -50.0	
OXO	112.5"	+50.0 / -50.0	+50.0 / -50.0	N/A	+25.0 / -25.0	+40.0 / -40.0	+50.0 / -50.0	+50.0 / -50.0	
OXXO	149"	+50.0 / -50.0	+50.0 / -50.0	N/A	+25.0 / -25.0	+40.0 / -40.0	+50.0 / -50.0	+50.0 / -50.0	

PRODUCT:	EXTERIOR DOOR PRODUCT DOUBLE 6'8" GLAZED FIBERGLASS DOOR
PART OR ASSEMBLY:	TYPICAL ELEVATIONS & GENERAL NOTES
NO.	A
DATE	11/27/17
UPDATED DATA	
REVISIONS	
SWS	BY

DATE:	4/26/17
SCALE:	N.T.S.
DWG. BY:	SWS
CHK. BY:	
DRAWING NO.:	
DWG-MA-FL0195-17	
SHEET	1 OF 3

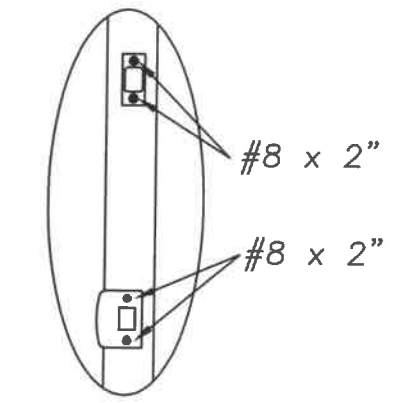
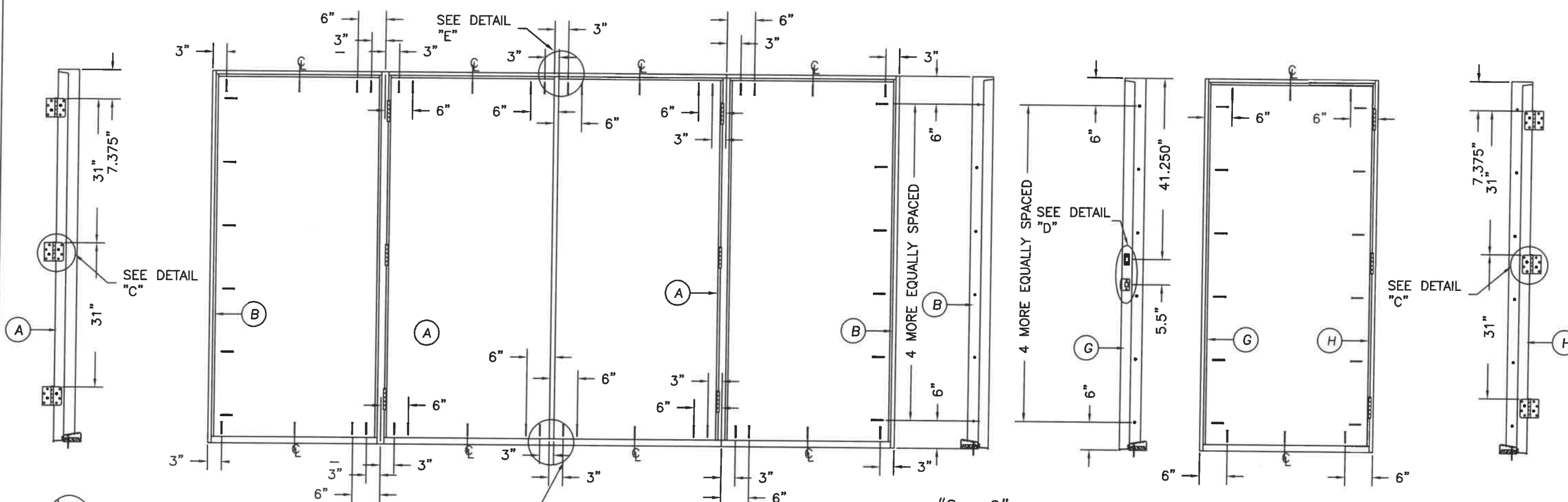
*Kurt Balthazor*

KURT BALTHAZOR  
FLORIDA P.E.  
#56533

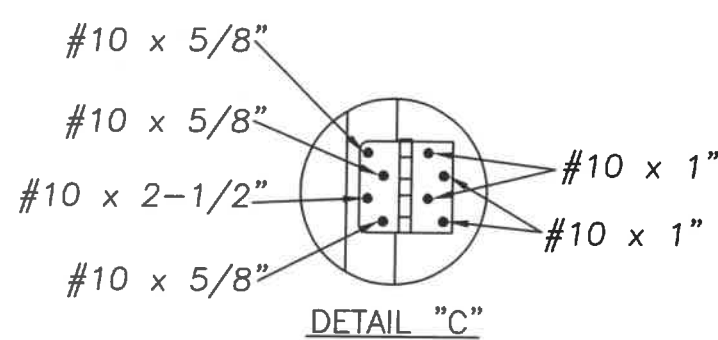
**TABLE OF CONTENTS**

SHEET #	DESCRIPTION
1	TYPICAL ELEVATIONS & GENERAL NOTES
2	ANCHORING LOCATIONS & DETAILS
3	ANCHORING LOCATIONS & DETAILS

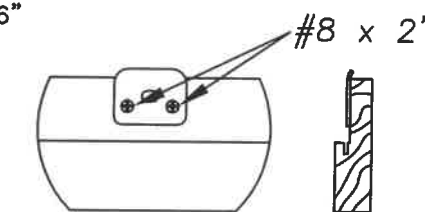
MASONITE INTERNATIONAL CORP.  
1955 POWIS ROAD  
WEST CHICAGO, IL 60185



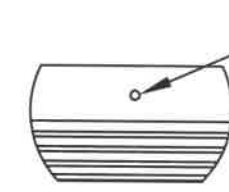
DETAIL "D"



DETAIL "C"



DETAIL "E" ASTRAGAL  
 ATTACH ASTRAGAL RETAINER BOLT STRIKE PLATE TO FRAME AS SHOWN.

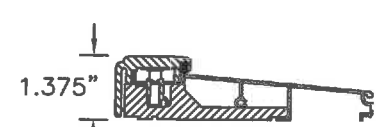


DETAIL "F" ASTRAGAL

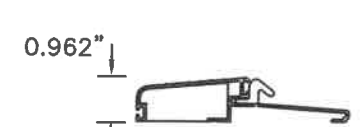
ASTRAGAL RETAINER BOLT HOLE MUST BE DRILLED THROUGH THE THRESHOLD & INTO THE STRUCTURE DEEP ENOUGH FOR A 1.375" THROW

Addendum to NAMI

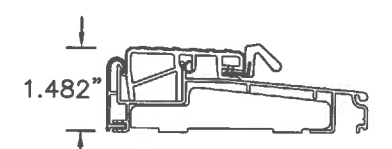
Certification No.: NT013217  
 Reviewed By: [Signature]  
 Date Reviewed: 11/28/17



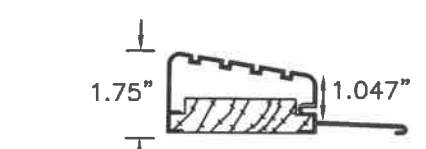
INSWING THRESHOLD



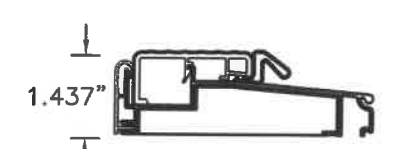
BUMPER O/S THRESHOLD



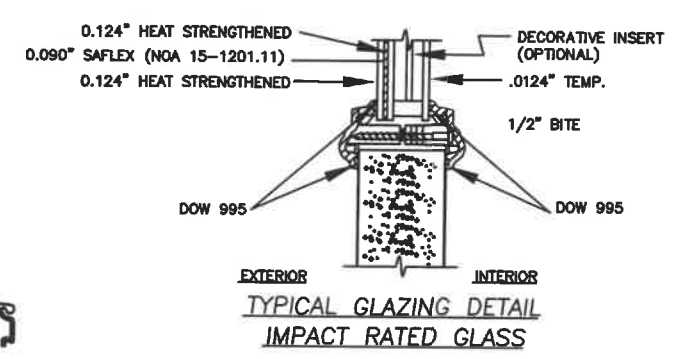
Z-SERIES O/S THRESHOLD



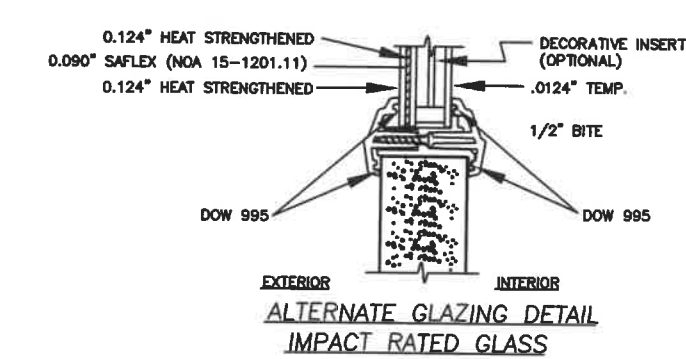
HIGH DAM O/S THRESHOLD



T4 O/S THRESHOLD



TYPICAL GLAZING DETAIL  
 IMPACT RATED GLASS



ALTERNATE GLAZING DETAIL  
 IMPACT RATED GLASS

PRODUCT:		"EXTERIOR DOOR PRODUCT" 6'-8" FIBERGLASS GLAZED DOUBLE DOOR UNIT	
PART OR ASSEMBLY:		ANCHORING LOCATIONS & DETAILS	
NO.	DATE	UPDATED DATA	SWS BY
A	11/27/17		
DATE:		4/26/17	
SCALE:		N.T.S.	
DWG. BY:		SWS	
CHK. BY:			
DRAWING NO.:		DWG-MA-FLO195-17	
SHEET		2 OF 3	

