



**IMPACT GLAZED FIBERGLASS DOOR UNIT  
8'-0" DOUBLE DOOR WITH / WITHOUT SIDELITES**

**GENERAL NOTES**

- EVALUATED FOR USE IN LOCATIONS ADHERING TO THE FLORIDA BUILDING CODE AND WHERE PRESSURE REQUIREMENTS AS DETERMINED BY ASCE 7, MINIMUM DESIGN LOADS FOR BUILDINGS AND OTHER STRUCTURES, DOES NOT EXCEED THE DESIGN PRESSURES LISTED.
- WHEN INSTALLED IN THE HIGH VELOCITY HURRICANE ZONE (HVHZ), HURRICANE PROTECTIVE SYSTEM (SHUTTERS) IS REQUIRED.
- WHEN INSTALLED IN THE WIND-BORNE DEBRIS REGION, EXCLUDING THE HIGH VELOCITY HURRICANE ZONE (HVHZ), HURRICANE PROTECTIVE SYSTEM IS NOT REQUIRED.
- POLYURETHANE CORE FLAME SPREAD INDEX OF 50 AND SMOKE DEVELOPED INDEX OF 60 PER ASTM E84.

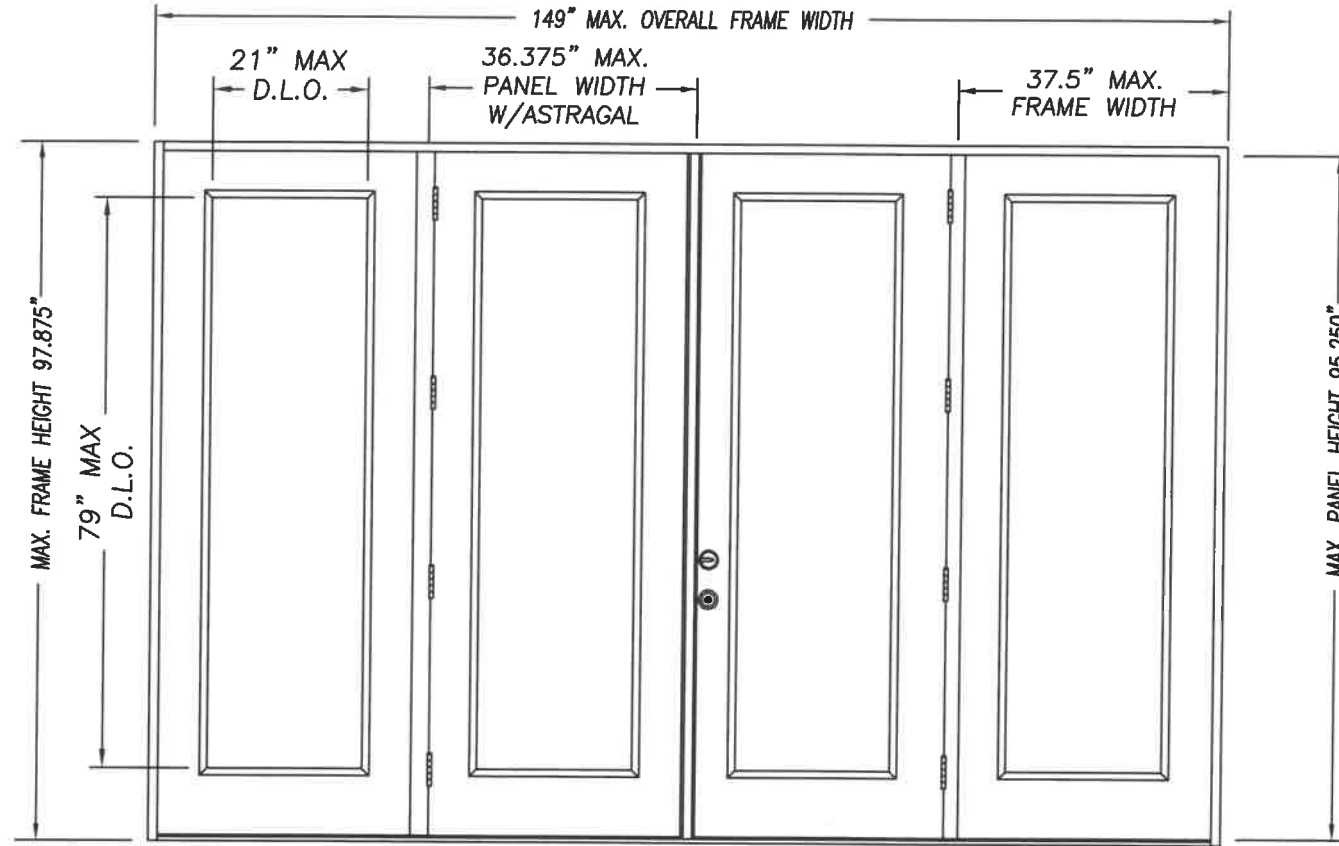
**5. PLASTICS TESTING:**

TEST DESCRIPTION	DESIGNATION	FACING	LITE FRAME
SELF IGNITION TEMP	ASTM D1929	752 °F > 650 °F	842 °F > 650 °F
RATE OF BURNING	ASTM D635	0.56 IN/MIN	1.28 IN/MIN
SMOKE DENSITY	ASTM D2843	53.4%	70.2%
TENSILE STRENGTH*	ASTM D638	3.2% DIFF	1.8% DIFF

**6. PLASTICS TESTING OF WORLDWIDE COMPOSITE FRAME (WHERE USED):**

TEST DESCRIPTION	DESIGNATION	RESULT
SELF IGNITION TEMP	ASTM D1929	779 °F > 650 °F
RATE OF BURNING	ASTM D635	0.0 IN/MIN
SMOKE DENSITY	ASTM D2843	39.0%
TENSILE STRENGTH*	ASTM D638	3.6% DIFF

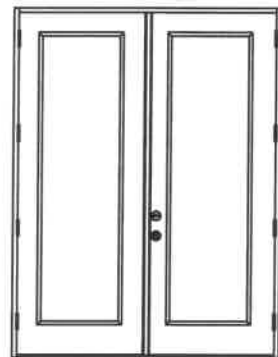
\* COMPARATIVE TENSILE STRENGTH AFTER WEATHERING 4500 HOURS XENON ARC METHOD 1



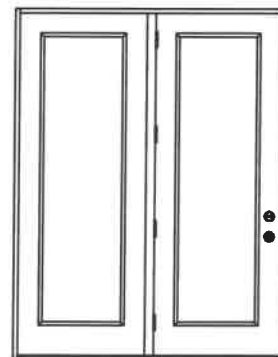
DOUBLE DOOR UNIT W/SIDELITES



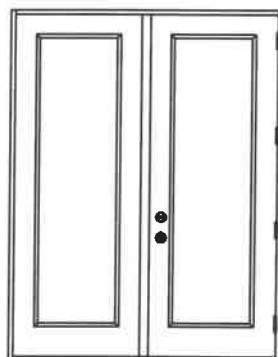
SINGLE DOOR UNIT



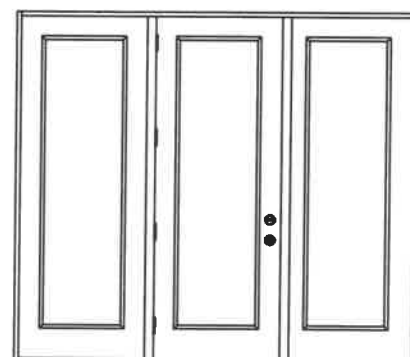
DOUBLE DOOR UNIT



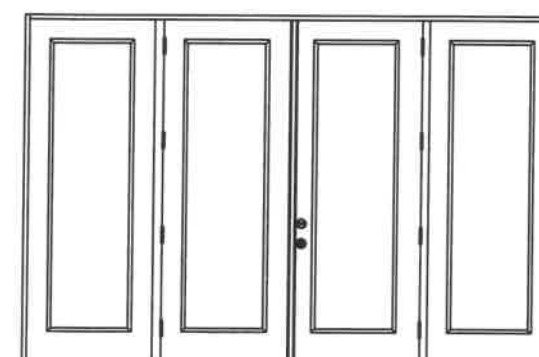
SINGLE DOOR UNIT WITH SIDELITE



SINGLE DOOR UNIT WITH SIDELITE



SINGLE DOOR UNIT W/SIDELITES



DOUBLE DOOR UNIT W/SIDELITES

Addendum to NAMI

Certification No.: NT013917  
Reviewed By: [Signature]  
Date Reviewed: 11/28/17

CONFIG	MAX WIDTH	DESIGN PRESSURE RATING		INSWING	WHERE WATER INFILTRATION PERFORMANCE IS REQUIRED TO BE 15% OF DESIGN PRESSURE			
		INSWING	OUTSWING		BUMPER O/S	Z-SERIES O/S	T4 O/S	HIGH DAM O/S
X	37.5"	+40.0 / -45.0	+45.0 / -40.0	N/A	+25.0 / -25.0	+40.0 / -40.0	+45.0 / -40.0	+45.0 / -40.0
XX	74"	+40.0 / -45.0	+45.0 / -40.0	N/A	+25.0 / -25.0	+40.0 / -40.0	+45.0 / -40.0	+45.0 / -40.0
OX or XO	75"	+40.0 / -45.0	+45.0 / -40.0	N/A	+25.0 / -25.0	+40.0 / -40.0	+45.0 / -40.0	+45.0 / -40.0
OXO	112.5"	+40.0 / -45.0	+45.0 / -40.0	N/A	+25.0 / -25.0	+40.0 / -40.0	+45.0 / -40.0	+45.0 / -40.0
OXXO	149"	+40.0 / -45.0	+45.0 / -40.0	N/A	+25.0 / -25.0	+40.0 / -40.0	+45.0 / -40.0	+45.0 / -40.0

SHEET #	DESCRIPTION
1	TYPICAL ELEVATIONS & GENERAL NOTES
2	ANCHORING LOCATIONS & DETAILS
3	ANCHORING LOCATIONS & DETAILS
4	ANCHORING LOCATIONS & DETAILS

[Signature]  
KURT BALTHAZOR  
FLORIDA P.E.  
#56533

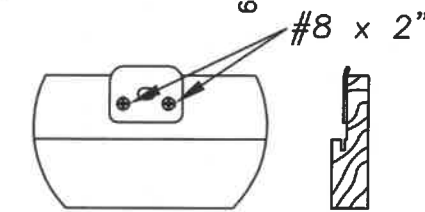
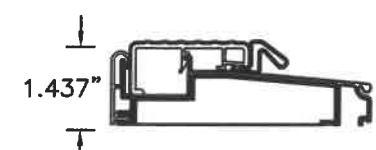
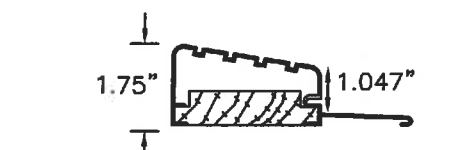
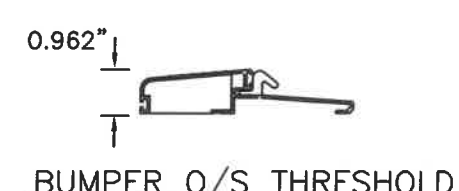
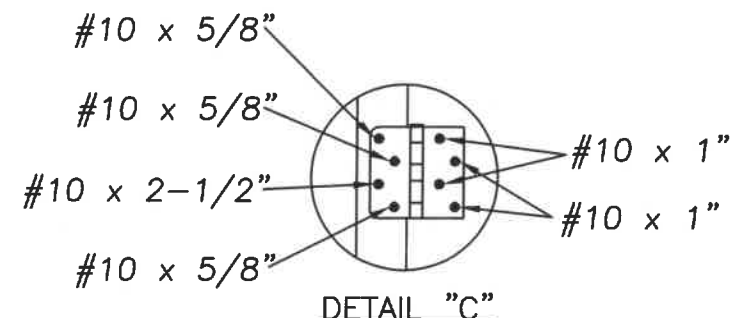
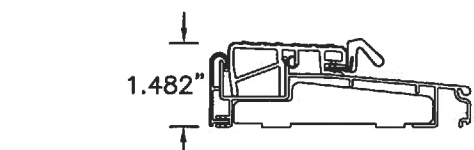
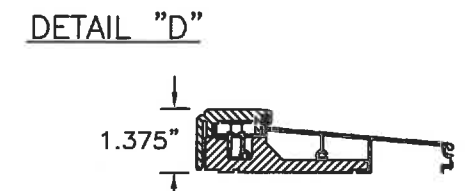
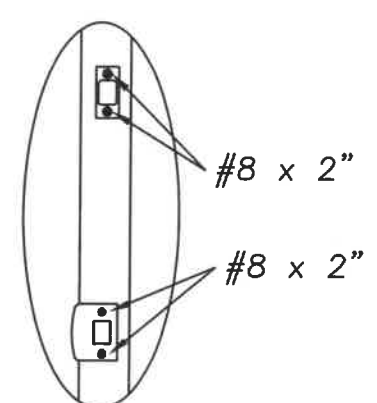
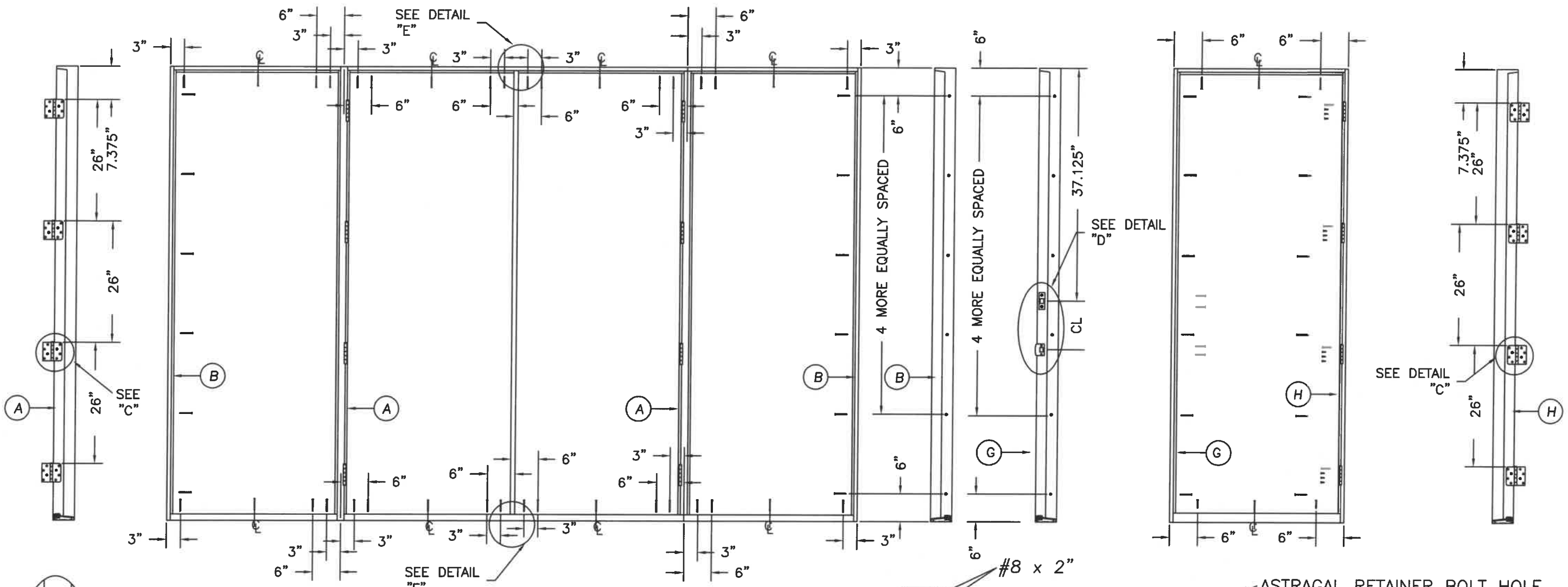
PRODUCT:	"EXTERIOR DOOR PRODUCT" DOUBLE 8'0" GLAZED FIBERGLASS DOOR
PART OR ASSEMBLY:	TYPICAL ELEVATIONS & GENERAL NOTES
NO.	A
DATE	11/27/17
UPDATED DATA	SWS
REVISIONS	BY

DATE:	4/26/17
SCALE:	N.T.S.
DWG. BY:	SWS
CHK. BY:	
DRAWING NO.:	DWG-MA-FL0196-17
SHEET	1 OF 3

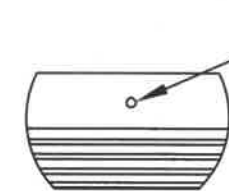
MASONITE INTERNATIONAL CORP.  
1955 POWIS ROAD  
WEST CHICAGO, IL 60185

MASONITE INTERNATIONAL CORP.  
1955 POWIS ROAD  
WEST CHICAGO, IL 60185

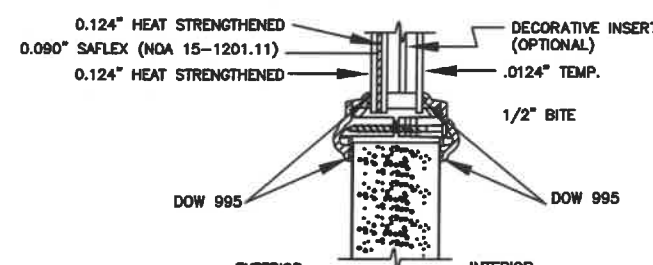
PRODUCT: "EXTERIOR DOOR PRODUCT"  
8'0" FIBERGLASS GLAZED  
DOUBLE DOOR UNIT  
PART OR ASSEMBLY:  
ANCHORING LOCATIONS  
& DETAILS



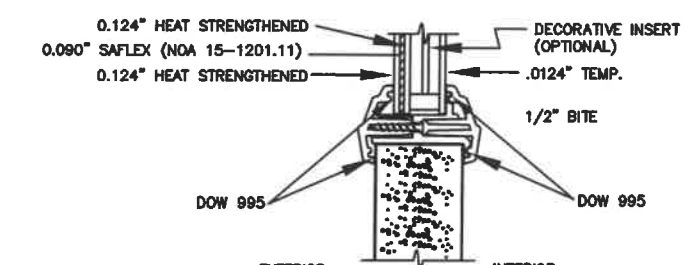
DETAIL "E" ASTRAGAL  
ATTACH ASTRAGAL RETAINER BOLT  
STRIKE PLATE TO FRAME  
AS SHOWN.



DETAIL "F" ASTRAGAL  
ASTRAGAL RETAINER BOLT HOLE  
MUST BE DRILLED THROUGH  
THE THRESHOLD & INTO THE  
STRUCTURE DEEP ENOUGH  
FOR A 1.375" THROW



EXTERIOR INTERIOR  
TYPICAL GLAZING DETAIL  
IMPACT RATED GLASS

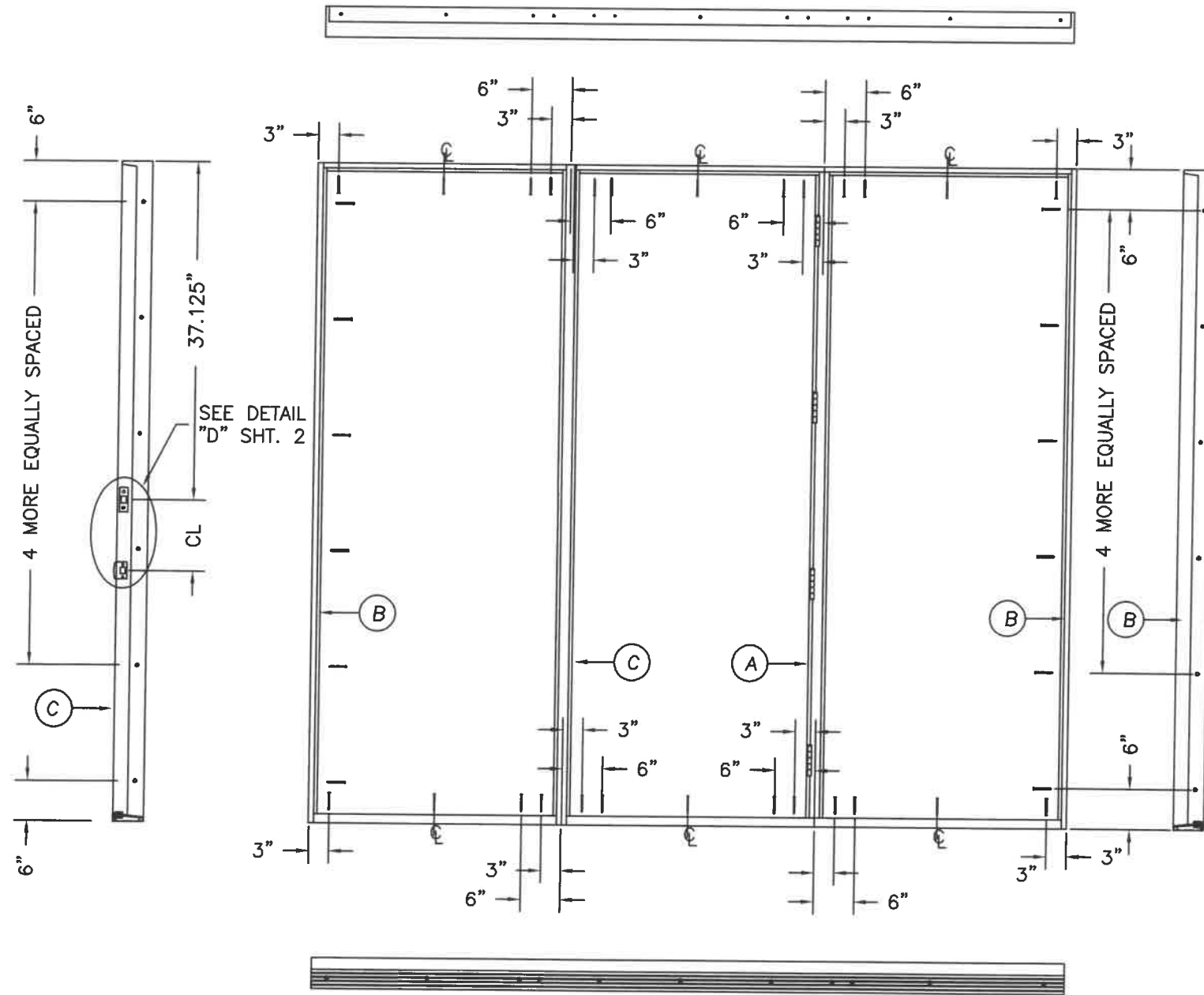
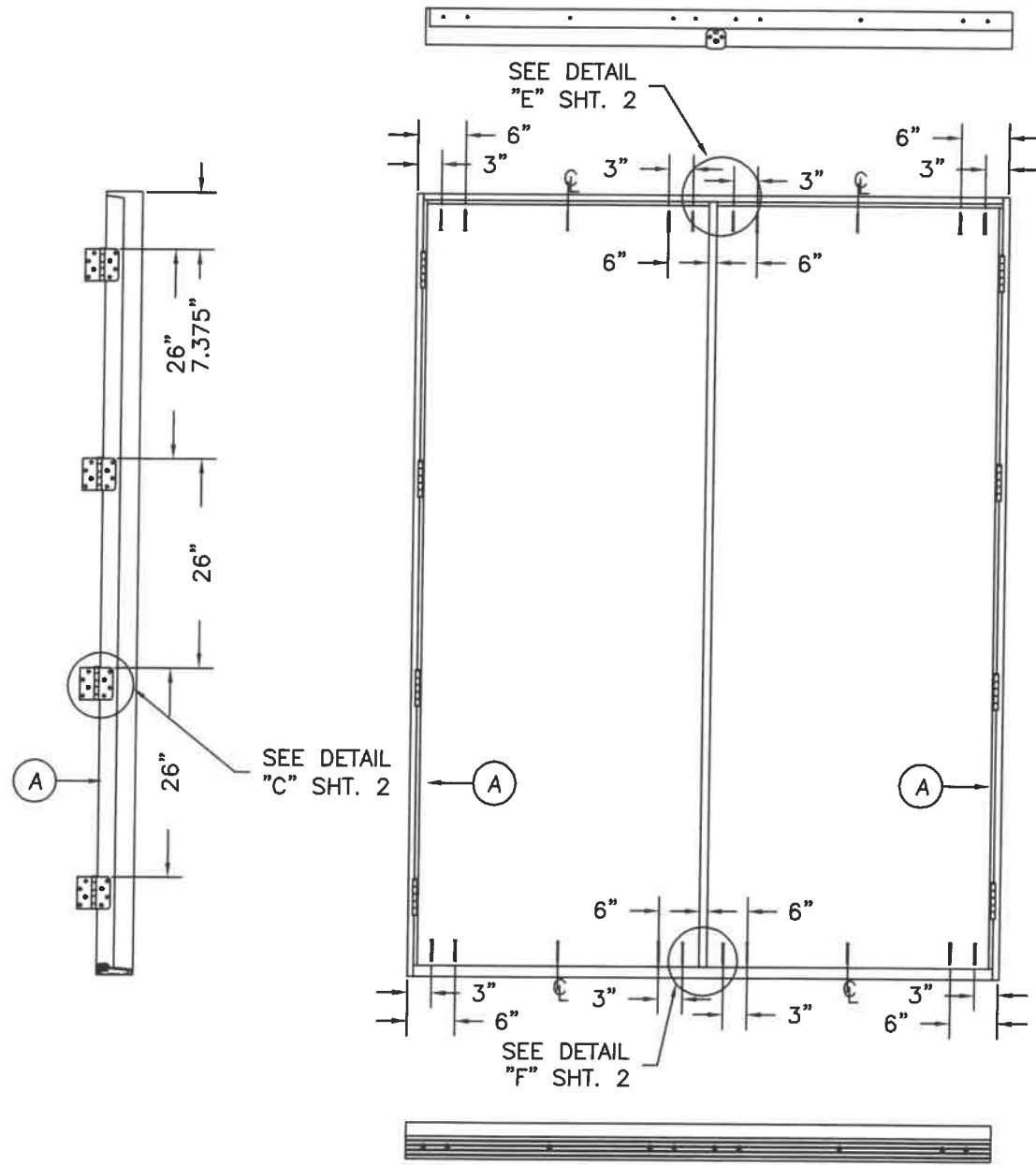


EXTERIOR INTERIOR  
ALTERNATE GLAZING DETAIL  
IMPACT RATED GLASS

Addendum to NAMI  
Certification No.: N1013717  
Reviewed By: [Signature]  
Date Reviewed: 11/28/17

REVISIONS		DATE	BY
A	NO.	11/27/17	SWS

DATE: 4/26/17  
SCALE: N.T.S.  
DWG. BY: SWS  
CHK. BY:  
DRAWING NO.: DWG-MA-FL0196-17  
SHEET 2 OF 4



Addendum to NAMI

Certification No.: NT013717  
 Reviewed By: [Signature]  
 Date Reviewed: 11/28/17

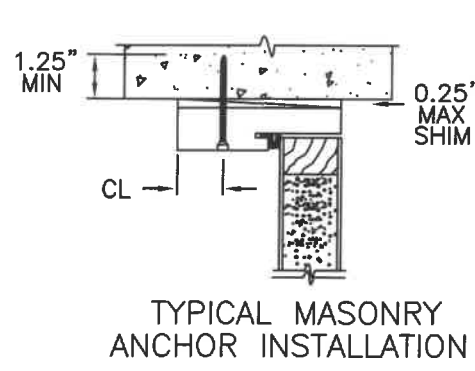
MASONITE INTERNATIONAL CORP.  
 1955 POWIS RD.  
 WEST CHICAGO, IL 60185

PRODUCT: EXTERIOR DOOR PRODUCT\*  
 8'0" FIBERGLASS GLAZED  
 DOUBLE DOOR UNIT  
 PART OR ASSEMBLY:  
 ANCHORING LOCATIONS  
 & DETAILS

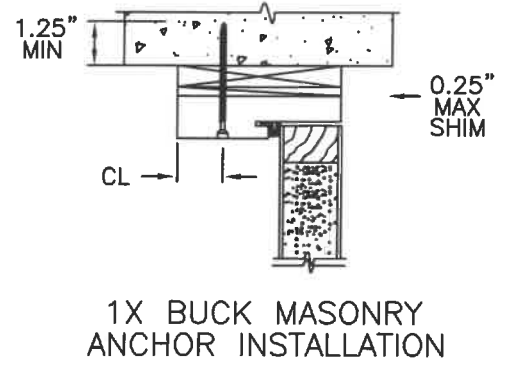
NO.	DATE	UPDATED DATA	SWS BY
A	11/27/17		

DATE: 4/26/17  
 SCALE: N.T.S.  
 DWG. BY: SWS  
 CHK. BY:  
 DRAWING NO.:  
 DWG-MA-FL0196-17  
 SHEET 3 OF 4

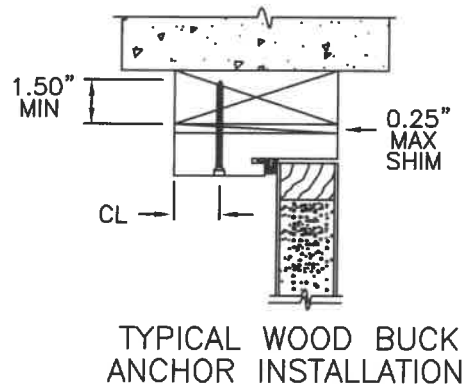
MASONITE INTERNATIONAL CORP.  
 1955 POWIS RD.  
 WEST CHICAGO, IL 60185



TYPICAL MASONRY ANCHOR INSTALLATION



1X BUCK MASONRY ANCHOR INSTALLATION



TYPICAL WOOD BUCK ANCHOR INSTALLATION

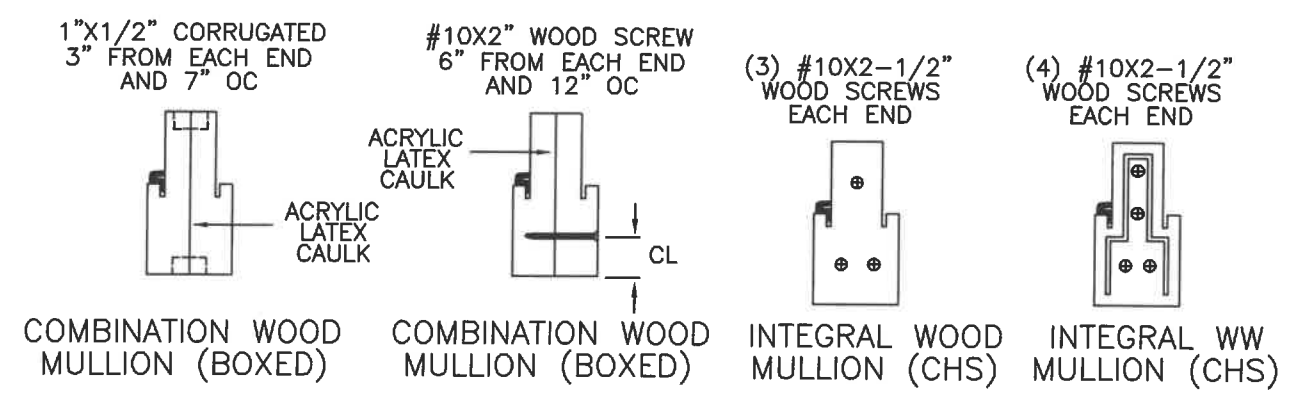
Addendum to NAMI  
 Certification No.: NT013717  
 Reviewed By: [Signature]  
 Date Reviewed: 11/28/17

ATTACHMENT DETAIL

- ANCHOR ANALYSIS FOR LOADING CONDITIONS PREPARED, SIGNED AND SEALED BY ROBERTO LOMAS, PE (FLORIDA #62514) WITH THE LOWEST (LEAST) FASTENER RATING FROM THE DIFFERENT FASTENERS BEING CONSIDERED FOR USE. JAMB, HEAD, AND THRESHOLD FASTENERS ANALYZED FOR THIS UNIT INCLUDE #10 WOOD SCREWS, 1/4" TAPCONS, AND #10 TEK SCREWS. A PHYSICAL SHIM MUST BE PLACED IN SHIM SPACE AT EACH ANCHOR LOCATION. TAPCON EDGE DISTANCE MIN 2-1/2". WOOD SCREW EDGE DISTANCE MIN 3/4". TEK SCREW EDGE DISTANCE MIN 1/2".
- ANCHORING INTO STEEL STRUCTURE MUST BE SUFFICIENT TO ACHIEVE 3 THREADS MINIMUM BEYOND STEEL INTERIOR SURFACE.
- THE WOOD SCREW SINGLE SHEAR DESIGN VALUES COME FROM ANSI/AF&PA NDA FOR SOUTHERN PINE LUMBER AND ACHIEVEMENT OF 1-1/2" MINIMUM EMBEDMENT. THE TAPCON MUST ACHIEVE MINIMUM EMBEDMENT OF 1-1/4".
- WOOD BUCKS BY OTHERS MUST BE ANCHORED PROPERLY TO TRANSFER LOADS TO STRUCTURE.
- MINIMUM DESIGN VALUE STRENGTH OF ANCHORS 155 LBS.

HARDWARE SCHEDULE

1.	KWIKSET SERIES 400 GRADE 3 CYLINDRICAL LATCH AND SERIES 980 GRADE 1 DEADLOCK HARDWARE TO BE INSTALLED AT 10-1/2" CENTERLINE.
2.	4" X 4" FULL MORTISE BUTT HINGES.



PRODUCT:	EXTERIOR DOOR PRODUCT	PART OR ASSEMBLY:	ANCHORING LOCATIONS & DETAILS
	8'0" FIBERGLASS GLAZED DOUBLE DOOR UNIT		
DATE	11/27/17	BY	SWS
NO.	A	REVISIONS	BY
DATE	4/26/17	UPDATED DATA	BY
SCALE	N.T.S.		
DWG. BY:	SWS		
CHK. BY:			
DRAWING NO.:	DWG-MA-FL0196-17		
SHEET	4	OF	4