



**STORMGUARD FIBERGLASS DOOR UNIT
6'-8" DOUBLE DOOR WITH / WITHOUT SIDELITES**

GENERAL NOTES

- EVALUATED FOR USE IN LOCATIONS ADHERING TO THE FLORIDA BUILDING CODE AND WHERE PRESSURE REQUIREMENTS AS DETERMINED BY ASCE 7, MINIMUM DESIGN LOADS FOR BUILDINGS AND OTHER STRUCTURES, DOES NOT EXCEED THE DESIGN PRESSURES LISTED.
- THIS PRODUCT DOES NOT REQUIRE THE USE OF A HURRICANE PROTECTIVE SYSTEM (SHUTTERS).
- POLYURETHANE CORE FLAME SPREAD INDEX OF 50 AND SMOKE DEVELOPED INDEX OF 60 PER ASTM E84.

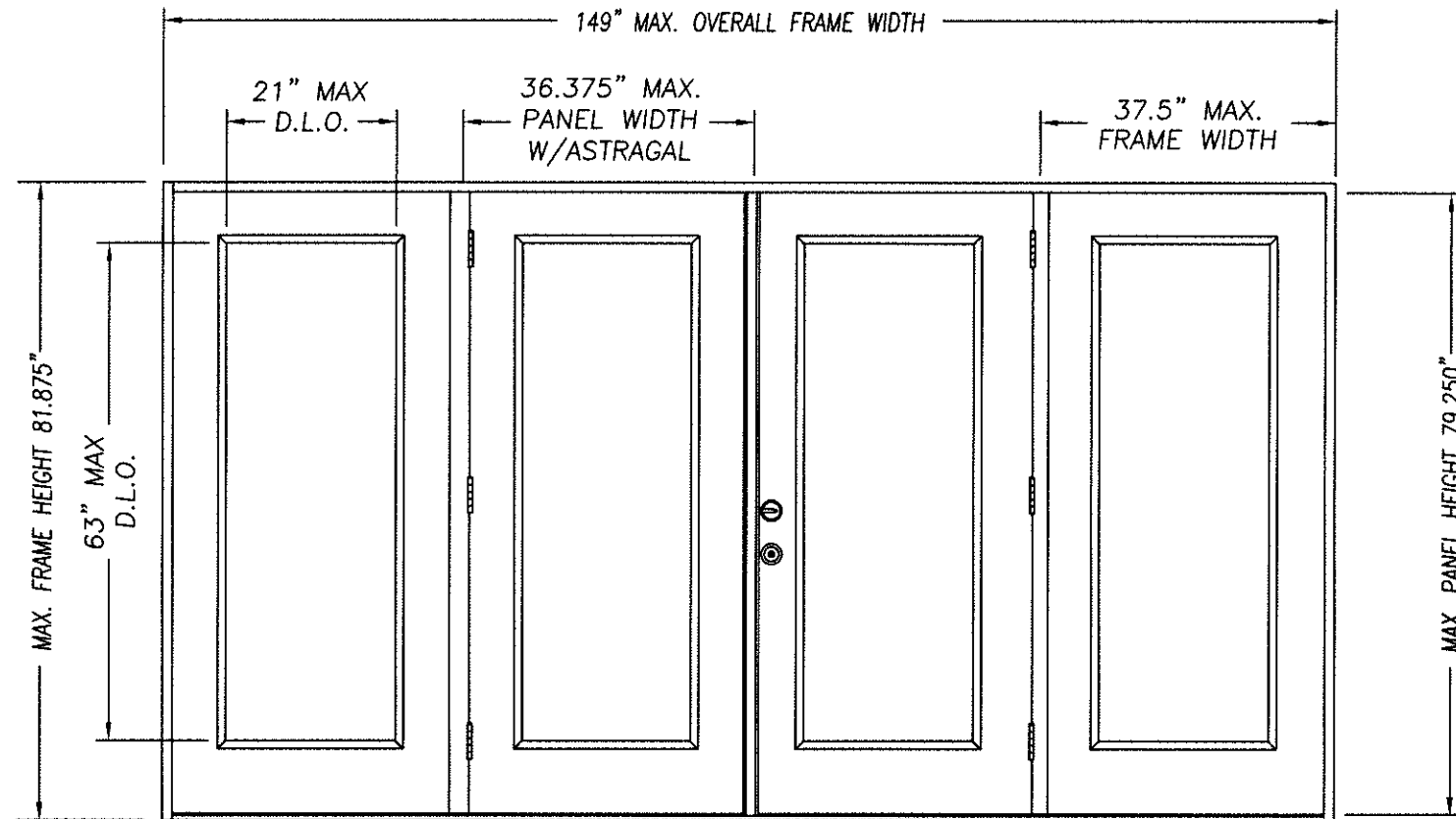
4. PLASTICS TESTING:

TEST DESCRIPTION	DESIGNATION	FACING	LITE FRAME
SELF IGNITION TEMP	ASTM D1929	752 °F > 650 °F	842 °F > 650 °F
RATE OF BURNING	ASTM D635	0.56 IN/MIN	1.28 IN/MIN
SMOKE DENSITY	ASTM D2843	53.4%	70.2%
TENSILE STRENGTH*	ASTM D638	3.2% DIFF	1.8% DIFF

5. PLASTICS TESTING OF WORLDWIDE COMPOSITE FRAME (WHERE USED):

TEST DESCRIPTION	DESIGNATION	RESULT
SELF IGNITION TEMP	ASTM D1929	779 °F > 650 °F
RATE OF BURNING	ASTM D635	0.0 IN/MIN
SMOKE DENSITY	ASTM D2843	39.0%
TENSILE STRENGTH*	ASTM D638	3.6% DIFF

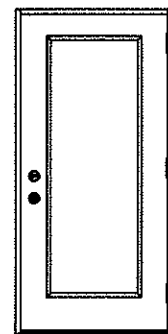
* COMPARATIVE TENSILE STRENGTH AFTER WEATHERING
4500 HOURS XENON ARC METHOD 1



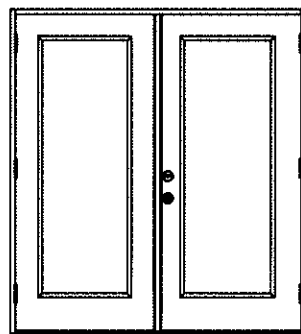
DOUBLE DOOR UNIT W/SIDELITES

Addendum to NAMI

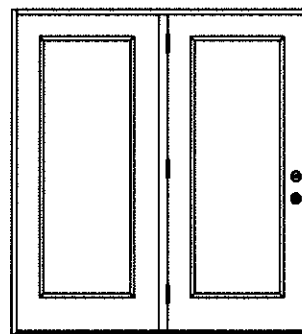
Certification No.: N1007077
Reviewed By: [Signature]
Date Reviewed: 5/4/17



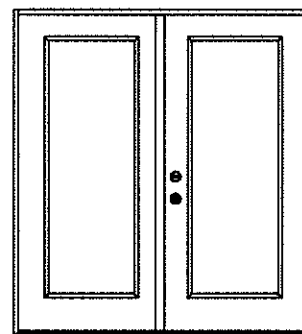
SINGLE DOOR UNIT



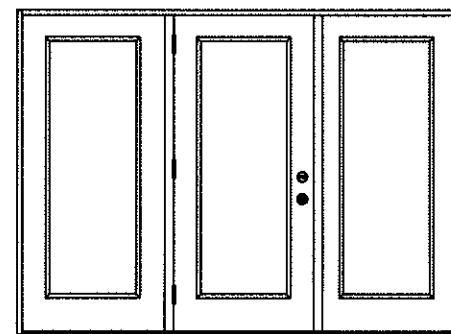
DOUBLE DOOR UNIT



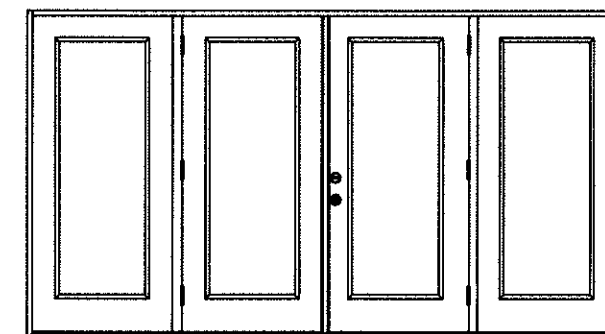
SINGLE DOOR UNIT WITH SIDELITE



SINGLE DOOR UNIT WITH SIDELITE



SINGLE DOOR UNIT W/SIDELITES



DOUBLE DOOR UNIT W/SIDELITES

TABLE OF CONTENTS

SHEET #	DESCRIPTION
1	TYPICAL ELEVATIONS & GENERAL NOTES
2	ANCHORING LOCATIONS & DETAILS
3	ANCHORING LOCATIONS & DETAILS

CONFIG	MAX WIDTH	DESIGN PRESSURE RATING		WHERE WATER INFILTRATION PERFORMANCE IS REQUIRED TO BE 15% OF DESIGN PRESSURE			
		INSWING	OUTSWING	INSWING	BUMPER O/S	Z-SERIES O/S	HIGH DAM O/S
X	37.5"	+55.0 / -55.0	+55.0 / -55.0	N/A	+25.0 / -25.0	+40.0 / -40.0	+55.0 / -55.0
XX	74"	+50.0 / -55.0	+55.0 / -55.0	N/A	+25.0 / -25.0	+40.0 / -40.0	+55.0 / -55.0
OX or XO	75"	+55.0 / -55.0	+55.0 / -55.0	N/A	+25.0 / -25.0	+40.0 / -40.0	+55.0 / -55.0
OXO	112.5"	+55.0 / -55.0	+55.0 / -55.0	N/A	+25.0 / -25.0	+40.0 / -40.0	+55.0 / -55.0
OXXO	149"	+50.0 / -55.0	+55.0 / -55.0	N/A	+25.0 / -25.0	+40.0 / -40.0	+55.0 / -55.0

Kurt Balthazor

KURT BALTHAZOR
FLORIDA P.E.
#56533

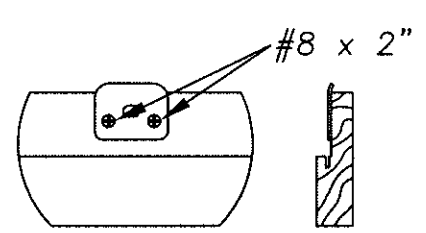
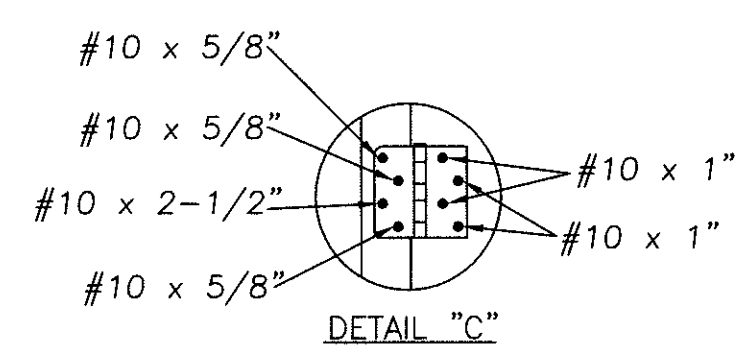
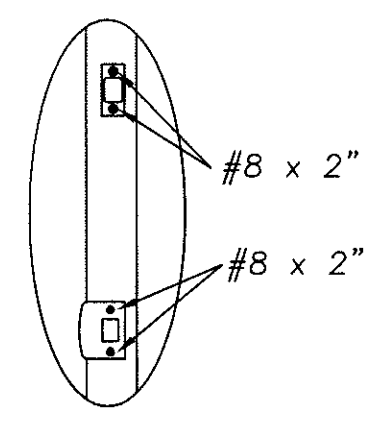
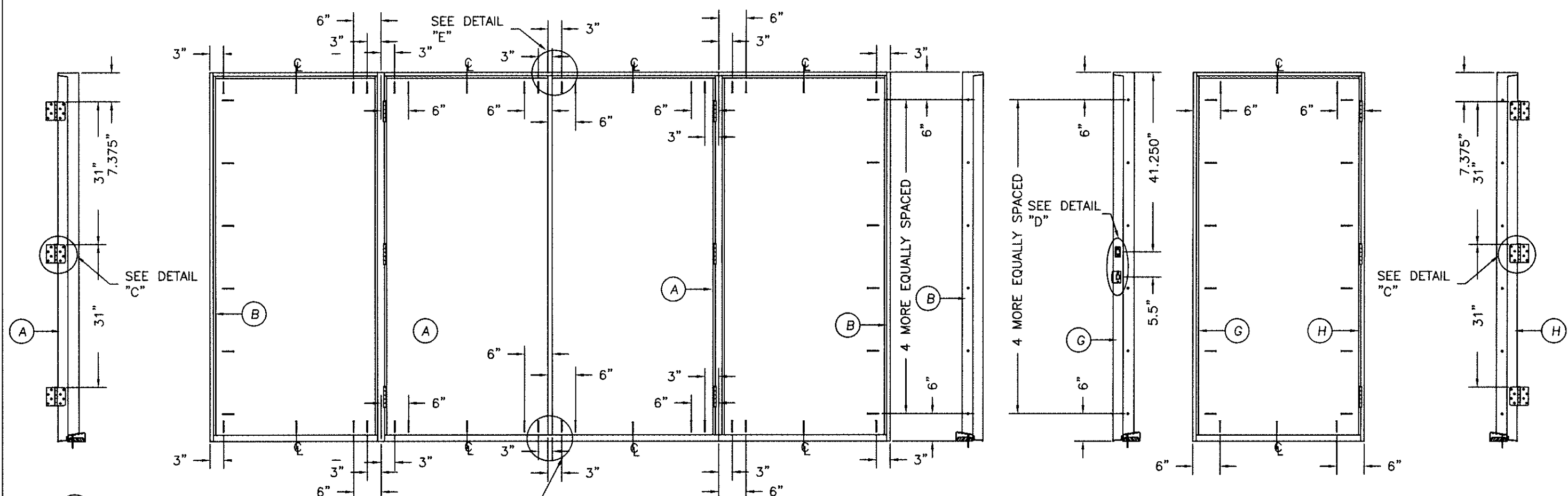
MASONITE INTERNATIONAL CORP.
1955 POWIS ROAD
WEST CHICAGO, IL 60185

PRODUCT: EXTERIOR DOOR PRODUCT
DOUBLE 6'8" GLAZED FIBERGLASS DOOR
PART OR ASSEMBLY: TYPICAL ELEVATIONS & GENERAL NOTES

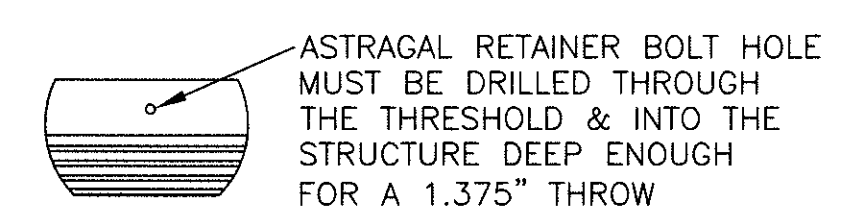
NO.	DATE	REVISIONS
C	4/26/17	VARIOUS UPDATES
B	5/28/15	ANCHOR UPDATE
A	11/2/10	MISC UPDATES

DATE: 4/9/07
SCALE: N.T.S.
DWG. BY: SWS
CHK. BY:
DRAWING NO.:
DWG-MA-FL0172-07
SHEET 1 OF 3

MASONITE INTERNATIONAL CORP.
 1955 POWIS ROAD
 WEST CHICAGO, IL 60185

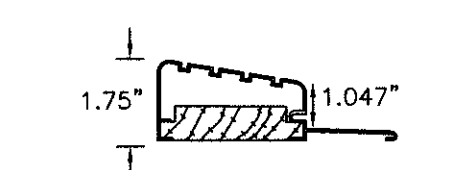
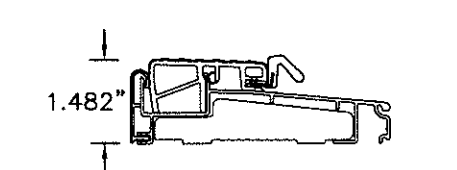
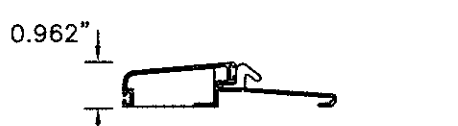
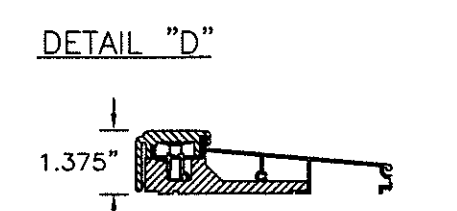


DETAIL "E" ASTRAGAL
 ATTACH ASTRAGAL RETAINER BOLT STRIKE PLATE TO FRAME AS SHOWN.

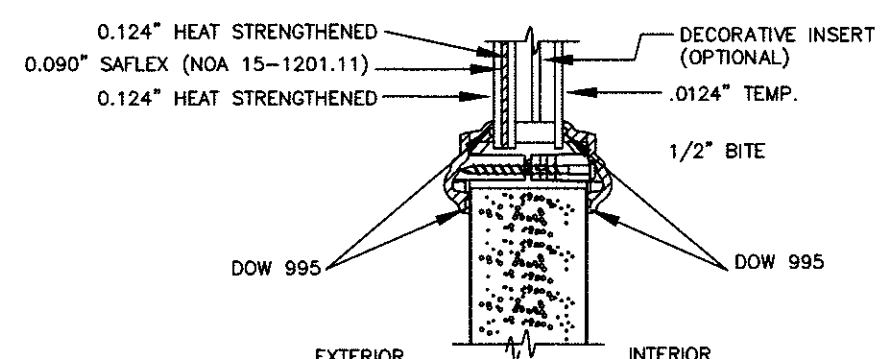


DETAIL "F" ASTRAGAL

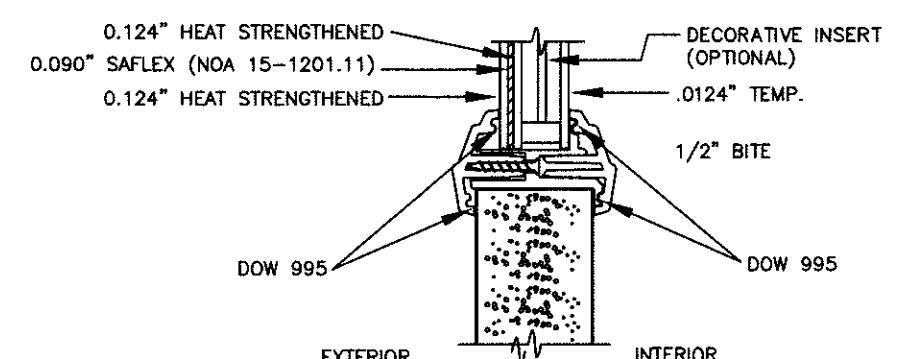
ASTRAGAL RETAINER BOLT HOLE MUST BE DRILLED THROUGH THE THRESHOLD & INTO THE STRUCTURE DEEP ENOUGH FOR A 1.375" THROW



Z-SERIES O/S THRESHOLD HIGH DAM O/S THRESHOLD



TYPICAL GLAZING DETAIL
 IMPACT RATED GLASS

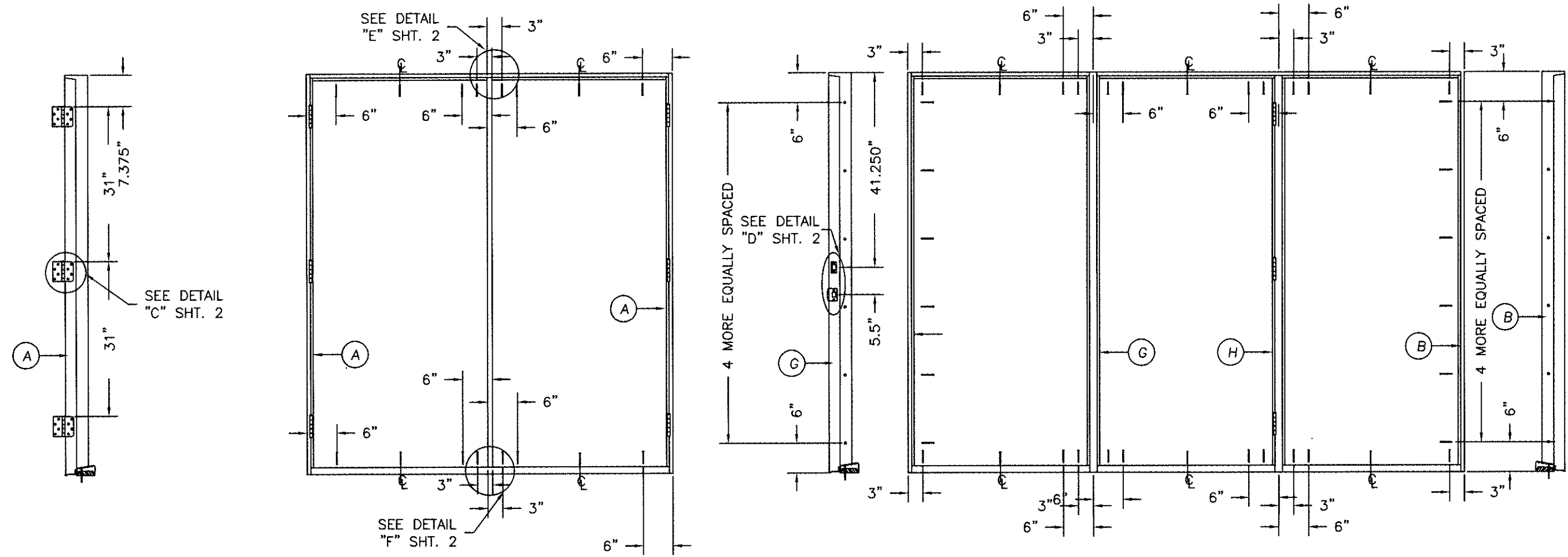


ALTERNATE GLAZING DETAIL
 IMPACT RATED GLASS

PRODUCT: EXTERIOR DOOR PRODUCT
 6'-8" FIBERGLASS GLAZED
 DOUBLE DOOR UNIT
 PART OR ASSEMBLY:
 ANCHORING LOCATIONS
 & DETAILS

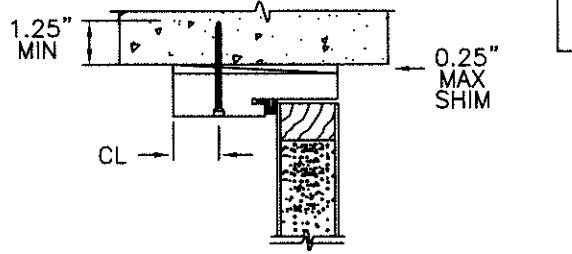
NO.	DATE	BY	REVISIONS
C	4/26/17	SWS	VARIOUS UPDATES
B	5/28/15	SWS	ANCHOR UPDATE
A	11/2/10	SWS	MISC UPDATES

DATE: 4/9/07
 SCALE: N.T.S.
 DWG. BY: SWS
 CHK. BY:
 DRAWING NO.:
 DWG-MA-FL0172-07
 SHEET 2 OF 3

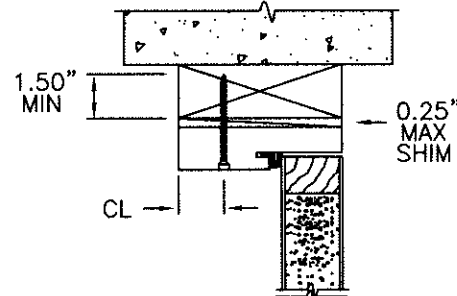


ATTACHMENT DETAIL

- ANCHOR ANALYSIS FOR LOADING CONDITIONS PREPARED, SIGNED AND SEALED BY ROBERTO LOMAS, PE (FLORIDA #62514) WITH THE LOWEST (LEAST) FASTENER RATING FROM THE DIFFERENT FASTENERS BEING CONSIDERED FOR USE. JAMB, HEAD, AND THRESHOLD FASTENERS ANALYZED FOR THIS UNIT INCLUDE #10 WOOD SCREWS OR 1/4" TAPCONS. A PHYSICAL SHIM MUST BE PLACED IN SHIM SPACE AT EACH ANCHOR LOCATION. TAPCON EDGE DISTANCE MIN 2-1/2". WOOD SCREW EDGE DISTANCE MIN 3/4".
- THE WOOD SCREW SINGLE SHEAR DESIGN VALUES COME FROM ANSI/AF&PA NDA FOR SOUTHERN PINE LUMBER AND ACHIEVEMENT OF 1-1/2" MINIMUM EMBEDMENT. THE TAPCON MUST ACHIEVE MINIMUM EMBEDMENT OF 1-1/4".
- WOOD BUCKS BY OTHERS MUST BE ANCHORED PROPERLY TO TRANSFER LOADS TO STRUCTURE.
- MINIMUM DESIGN VALUE STRENGTH OF ANCHORS 155 LBS.



TYPICAL MASONRY ANCHOR INSTALLATION



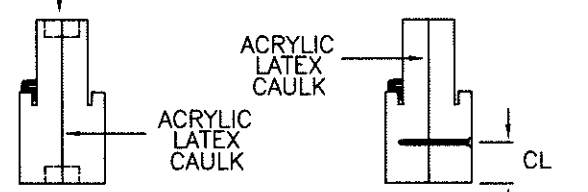
TYPICAL WOOD BUCK ANCHOR INSTALLATION

HARDWARE SCHEDULE

- KWIKSET SERIES 400 GRADE 3 CYLINDRICAL LATCH AND SERIES 980 GRADE 1 DEADLOCK HARDWARE TO BE INSTALLED AT 5-1/2" CENTERLINE.
- 4" X 4" FULL MORTISE BUTT HINGES.

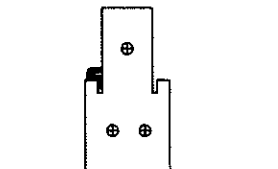
1"X1/2" CORRUGATED
 3" FROM EACH END
 AND 7" OC

#10X2" WOOD SCREW
 6" FROM EACH END
 AND 12" OC



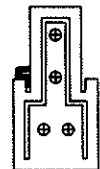
COMBINATION WOOD MULLION (BOXED) COMBINATION WOOD MULLION (BOXED)

(3) #10X2-1/2"
 WOOD SCREWS
 EACH END



INTEGRAL WOOD MULLION (CHS)

(4) #10X2-1/2"
 WOOD SCREWS
 EACH END



INTEGRAL WW MULLION (CHS)

PRODUCT:		"EXTERIOR DOOR PRODUCT" 6'-8" FIBERGLASS GLAZED DOUBLE DOOR UNIT	
PART OR ASSEMBLY:		ANCHORING LOCATIONS & DETAILS	
DATE:	4/9/07	NO.	REVISIONS
SCALE:	N.T.S.	C	VARIOUS UPDATES
DWG. BY:	SWS	B	ANCHOR UPDATE
CHK. BY:		A	MISC UPDATES
DRAWING NO.:			DATE
DWG-MA-FL0172-07			
SHEET	3	OF	3