



**STORMGUARD FIBERGLASS DOOR UNIT
8'-0" DOUBLE DOOR WITH / WITHOUT SIDELITES**

GENERAL NOTES

- EVALUATED FOR USE IN LOCATIONS ADHERING TO THE FLORIDA BUILDING CODE AND WHERE PRESSURE REQUIREMENTS AS DETERMINED BY ASCE 7, MINIMUM DESIGN LOADS FOR BUILDINGS AND OTHER STRUCTURES, DOES NOT EXCEED THE DESIGN PRESSURES LISTED.
- THIS PRODUCT DOES NOT REQUIRE THE USE OF A HURRICANE PROTECTIVE SYSTEM (SHUTTERS).
- POLYURETHANE CORE FLAME SPREAD INDEX OF 50 AND SMOKE DEVELOPED INDEX OF 60 PER ASTM E84.

4. PLASTICS TESTING:

TEST DESCRIPTION	DESIGNATION	FACING	LITE FRAME
SELF IGNITION TEMP	ASTM D1929	752 °F > 650 °F	842 °F > 650 °F
RATE OF BURNING	ASTM D635	0.56 IN/MIN	1.28 IN/MIN
SMOKE DENSITY	ASTM D2843	53.4%	70.2%
TENSILE STRENGTH*	ASTM D638	3.2% DIFF	1.8% DIFF

5. PLASTICS TESTING OF WORLDWIDE COMPOSITE FRAME (WHERE USED):

TEST DESCRIPTION	DESIGNATION	RESULT
SELF IGNITION TEMP	ASTM D1929	779 °F > 650 °F
RATE OF BURNING	ASTM D635	0.0 IN/MIN
SMOKE DENSITY	ASTM D2843	39.0%
TENSILE STRENGTH*	ASTM D638	3.6% DIFF

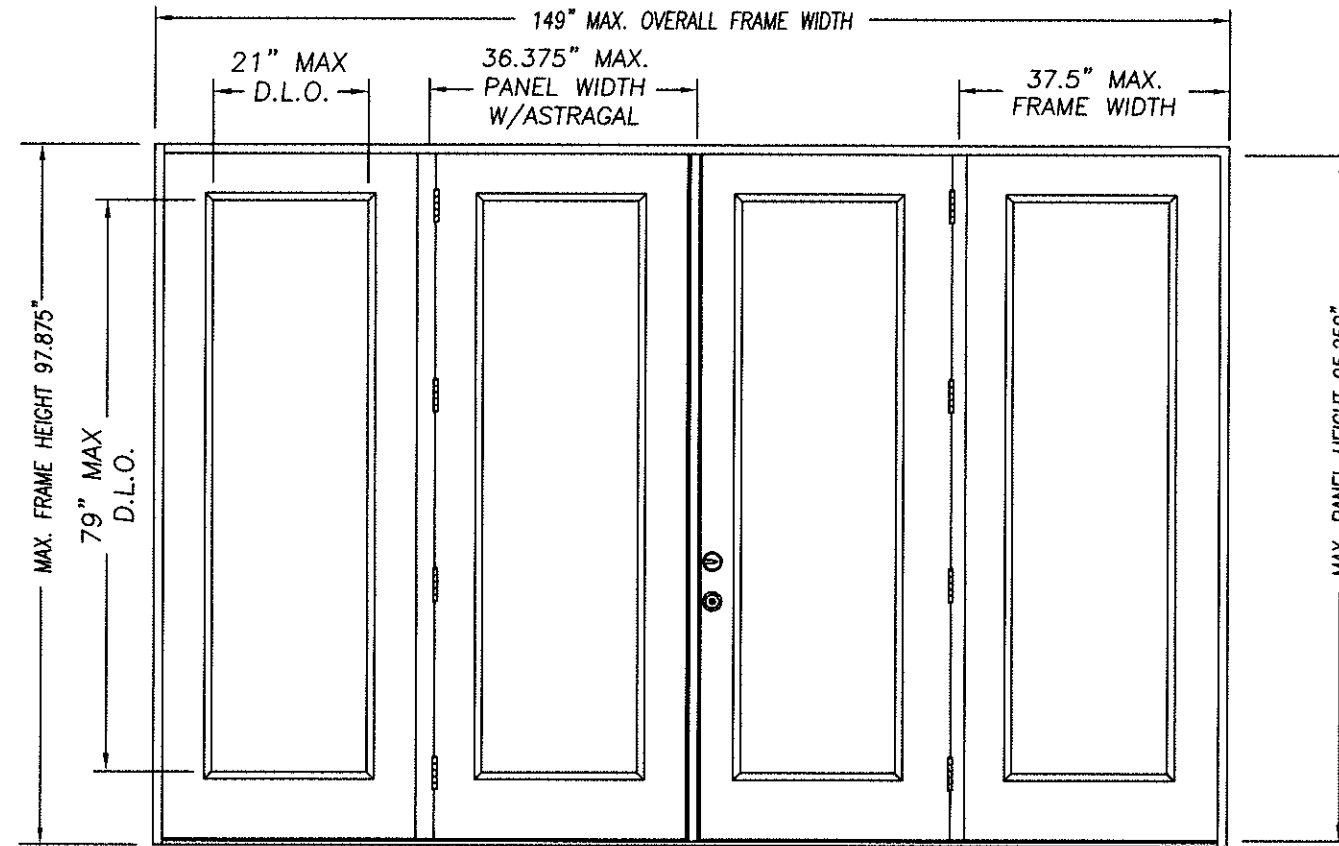
* COMPARATIVE TENSILE STRENGTH AFTER WEATHERING
4500 HOURS XENON ARC METHOD 1

Addendum to NAMI

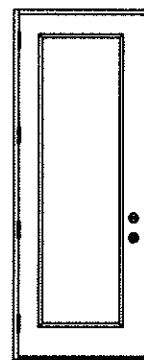
Certification No.: NI007077

Reviewed By: *[Signature]*

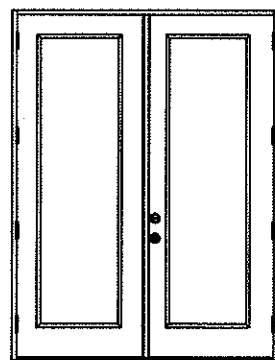
Date Reviewed: 5/4/17



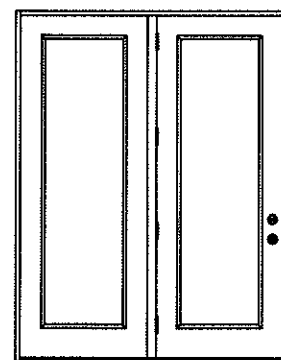
DOUBLE DOOR UNIT W/SIDELITES



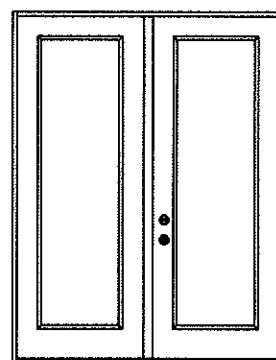
SINGLE DOOR UNIT



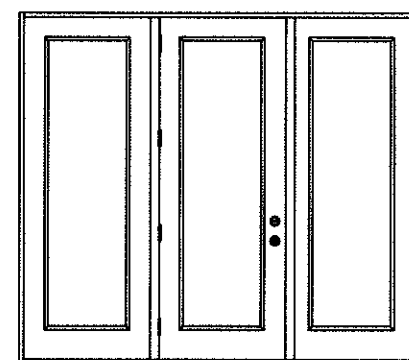
DOUBLE DOOR UNIT



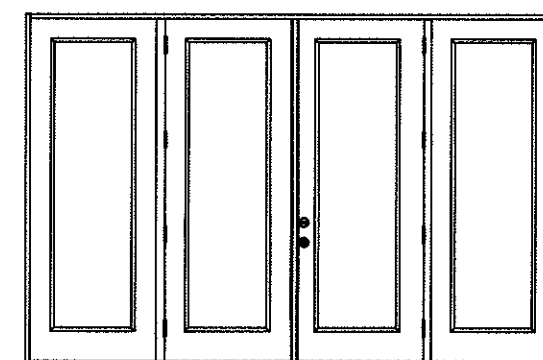
SINGLE DOOR UNIT WITH SIDELITE



SINGLE DOOR UNIT WITH SIDELITE



SINGLE DOOR UNIT W/SIDELITES



DOUBLE DOOR UNIT W/SIDELITES

TABLE OF CONTENTS	
SHEET #	DESCRIPTION
1	TYPICAL ELEVATIONS & GENERAL NOTES
2	ANCHORING LOCATIONS & DETAILS
3	ANCHORING LOCATIONS & DETAILS

CONFIG	MAX WIDTH	DESIGN PRESSURE RATING		WITH SURFACE BOLTS	WHERE WATER INFILTRATION PERFORMANCE IS REQUIRED TO BE 15% OF DESIGN PRESSURE			
		INSWING	OUTSWING		INSWING	BUMPER O/S	Z-SERIES O/S	HIGH DAM O/S
X	37.5"	+43.0 / -47.0	+47.0 / -45.0	+55.0 / -55.0	N/A	+25.0 / -25.0	+40.0 / -40.0	+47.0 / -45.0
XX	74"	+43.0 / -47.0	+47.0 / -45.0	+55.0 / -55.0	N/A	+25.0 / -25.0	+40.0 / -40.0	+47.0 / -45.0
OX or XO	75"	+43.0 / -47.0	+47.0 / -45.0	+55.0 / -55.0	N/A	+25.0 / -25.0	+40.0 / -40.0	+47.0 / -45.0
OXO	112.5"	+43.0 / -47.0	+47.0 / -45.0	+55.0 / -55.0	N/A	+25.0 / -25.0	+40.0 / -40.0	+47.0 / -45.0
OXXO	149"	+43.0 / -47.0	+47.0 / -45.0	+55.0 / -55.0	N/A	+25.0 / -25.0	+40.0 / -40.0	+47.0 / -45.0

Kurt Balthazor

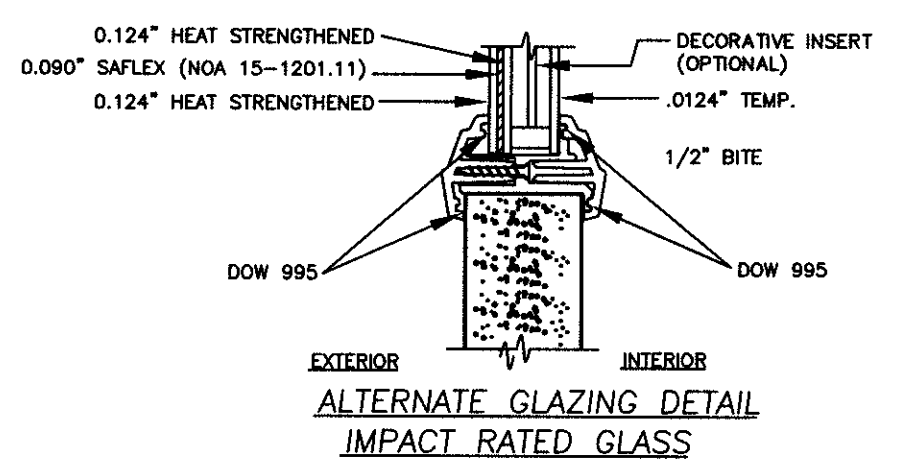
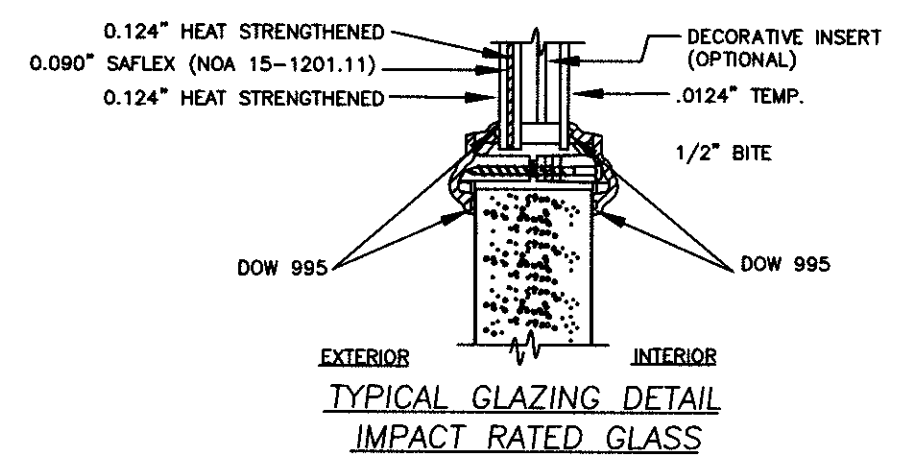
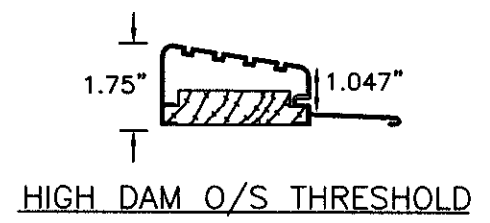
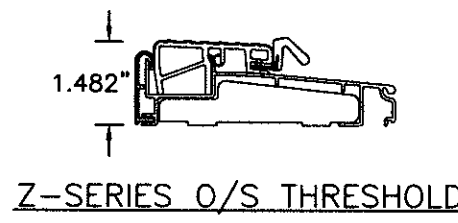
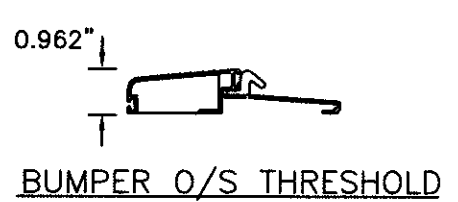
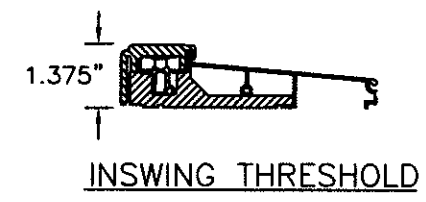
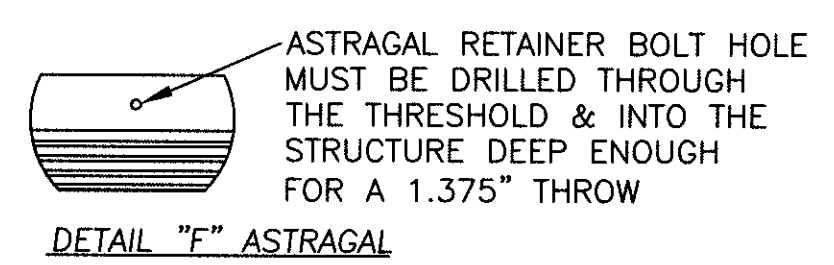
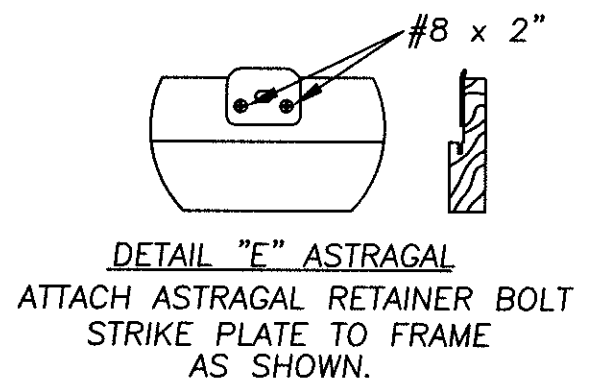
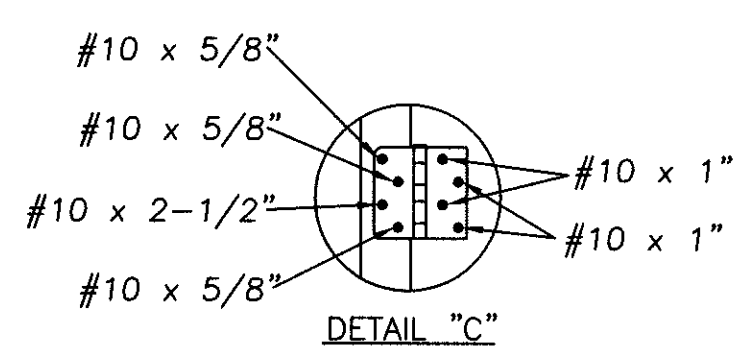
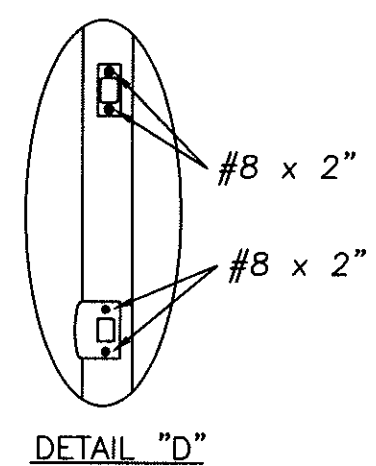
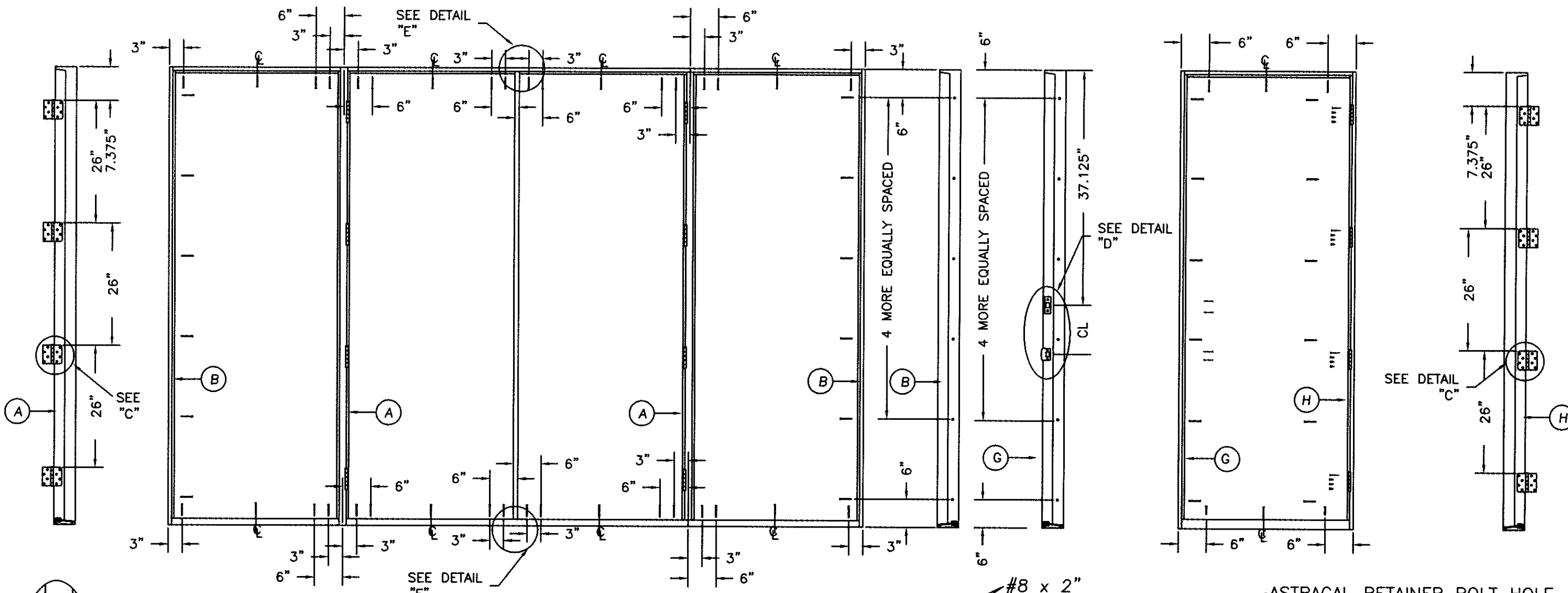
KURT BALTHAZOR
FLORIDA P.E.
#56533

MASONITE INTERNATIONAL CORP.
1955 POWIS ROAD
WEST CHICAGO, IL 60185

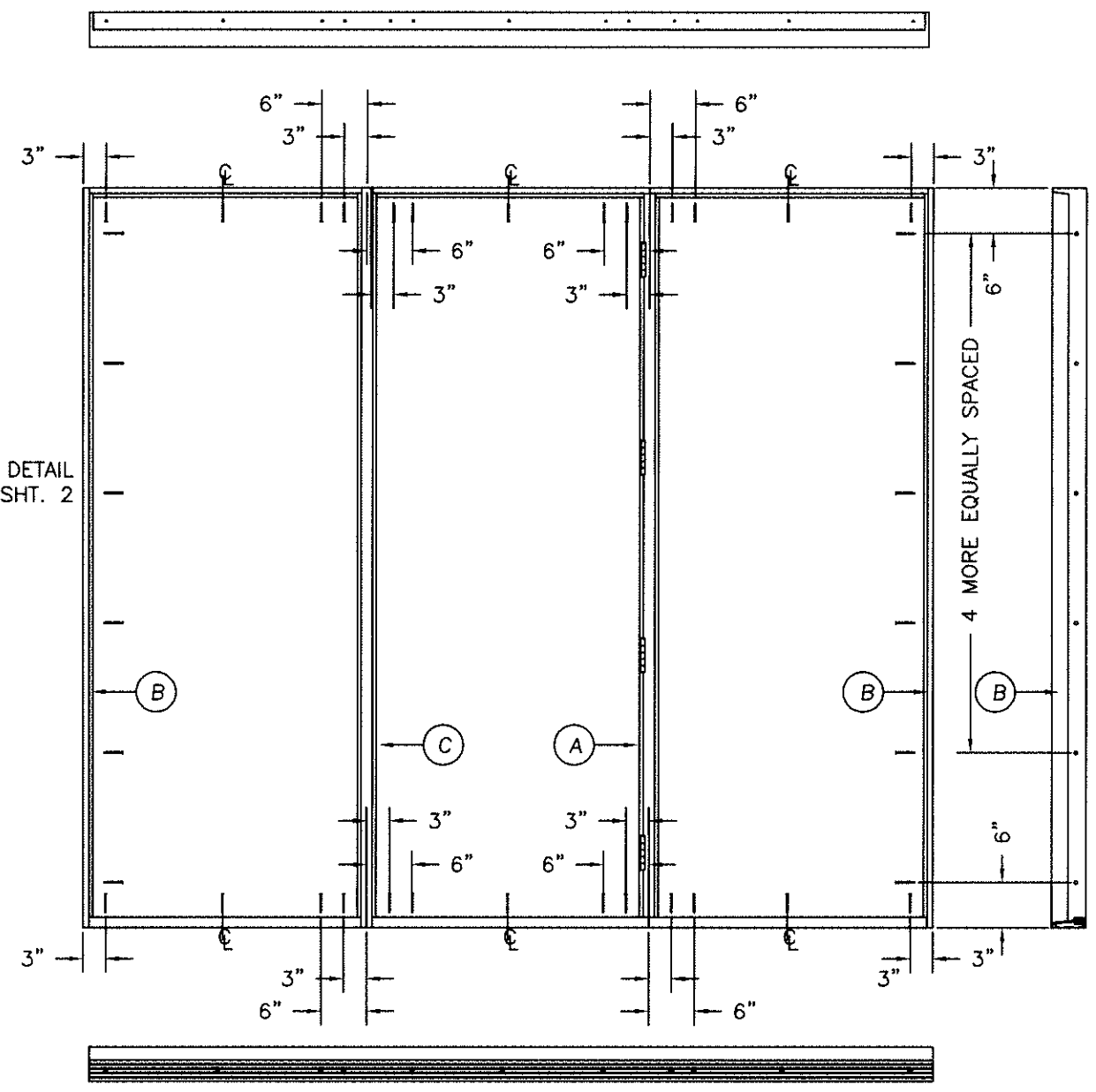
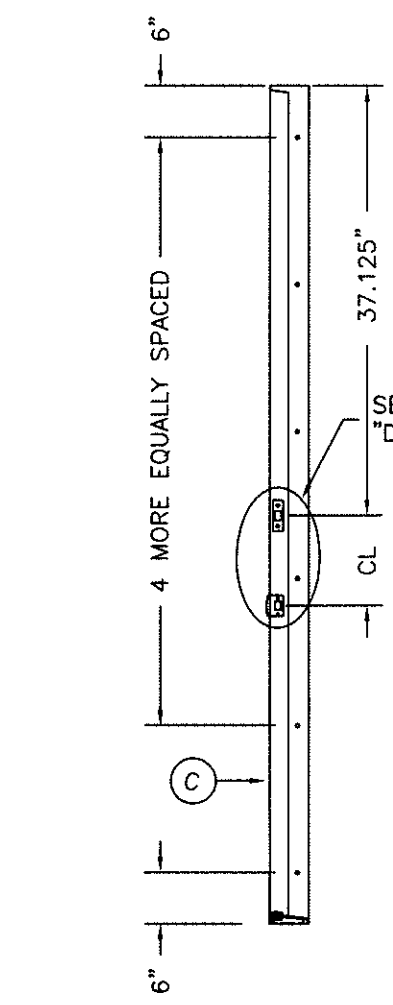
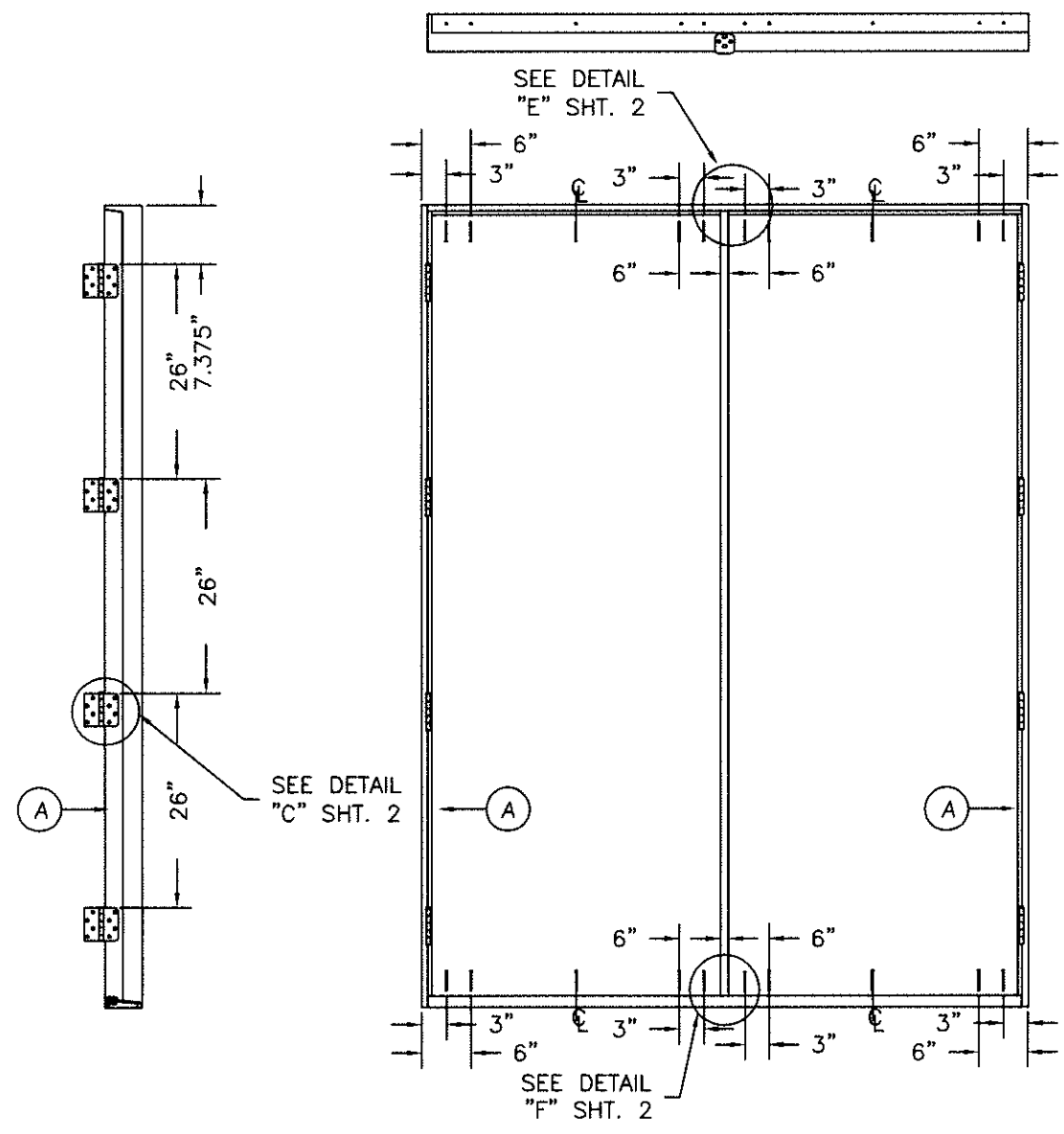
PRODUCT: EXTERIOR DOOR PRODUCT
DOUBLE 8'0" GLAZED FIBERGLASS DOOR
PART OR ASSEMBLY: TYPICAL ELEVATIONS & GENERAL NOTES

NO.	DATE	REVISIONS
C	4/26/17	VARIOUS UPDATES
B	5/28/15	ANCHOR UPDATE
A	11/2/10	MISC UPDATES

DATE: 4/9/07
SCALE: N.T.S.
DWG. BY: SWS
CHK. BY:
DRAWING NO.:
DWG-MA-FL0173-07
SHEET 1 OF 3

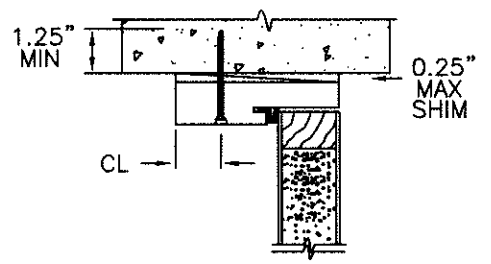


MASONITE INTERNATIONAL CORP. 1955 POWIS ROAD WEST CHICAGO, IL 60185													
PRODUCT: "EXTERIOR DOOR PRODUCT" 8'0" FIBERGLASS GLAZED DOUBLE DOOR UNIT	PART OR ASSEMBLY: ANCHORING LOCATIONS & DETAILS												
DATE: 4/9/07 SCALE: N.T.S. DWG. BY: SWS CHK. BY: DRAWING NO.: DWG-MA-FL0173-07	REVISIONS <table border="1"> <thead> <tr> <th>NO.</th> <th>DATE</th> <th>BY</th> </tr> </thead> <tbody> <tr> <td>C</td> <td>4/26/17</td> <td>SWS</td> </tr> <tr> <td>B</td> <td>5/28/15</td> <td>SWS</td> </tr> <tr> <td>A</td> <td>11/2/10</td> <td>SWS</td> </tr> </tbody> </table>	NO.	DATE	BY	C	4/26/17	SWS	B	5/28/15	SWS	A	11/2/10	SWS
NO.	DATE	BY											
C	4/26/17	SWS											
B	5/28/15	SWS											
A	11/2/10	SWS											
SHEET 2 OF 3													

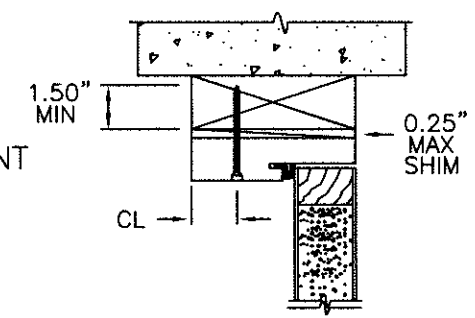


ATTACHMENT DETAIL

1. ANCHOR ANALYSIS FOR LOADING CONDITIONS PREPARED, SIGNED AND SEALED BY LUIS R. LOMAS, PE (FLORIDA #62514) WITH THE LOWEST (LEAST) FASTENER RATING FROM THE DIFFERENT FASTENERS BEING CONSIDERED FOR USE. JAMB, HEAD, AND THRESHOLD FASTENERS ANALYZED FOR THIS UNIT INCLUDE #10 WOOD SCREWS OR 1/4" TAPCONS. A PHYSICAL SHIM MUST BE PLACED IN SHIM SPACE AT EACH ANCHOR LOCATION. TAPCON EDGE DISTANCE MIN 2-1/2". WOOD SCREW EDGE DISTANCE MIN 3/4".
2. THE WOOD SCREW SINGLE SHEAR DESIGN VALUES COME FROM ANSI/AF&PA NDA FOR SOUTHERN PINE LUMBER AND ACHIEVEMENT OF 1-1/2" MINIMUM EMBEDMENT. THE TAPCON MUST ACHIEVE MINIMUM EMBEDMENT OF 1-1/4".
3. WOOD BUCKS BY OTHERS MUST BE ANCHORED PROPERLY TO TRANSFER LOADS TO STRUCTURE.
4. MINIMUM DESIGN VALUE STRENGTH OF ANCHORS 155 LBS.



TYPICAL MASONRY ANCHOR INSTALLATION

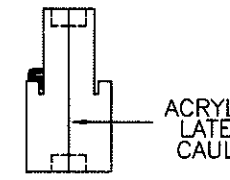


TYPICAL WOOD BUCK ANCHOR INSTALLATION

HARDWARE SCHEDULE

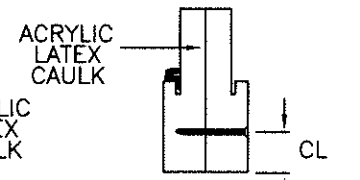
1. KWIKSET SERIES 400 GRADE 3 CYLINDRICAL LATCH AND SERIES 980 GRADE 1 DEADLOCK HARDWARE TO BE INSTALLED AT 10-1/2" CENTERLINE. OPTIONAL 8" IVES 453 SURFACE BOLTS AT TOP AND BOTTOM OF ACTIVE SLAB.
2. 4" X 4" FULL MORTISE BUTT HINGES.

1"X1/2" CORRUGATED
 3" FROM EACH END
 AND 7" OC



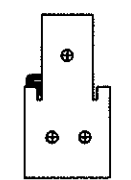
COMBINATION WOOD MULLION (BOXED)

#10X2" WOOD SCREW
 6" FROM EACH END
 AND 12" OC



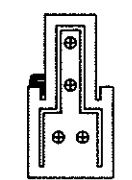
COMBINATION WOOD MULLION (BOXED)

(3) #10X2-1/2" WOOD SCREWS
 EACH END



INTEGRAL WOOD MULLION (CHS)

(4) #10X2-1/2" WOOD SCREWS
 EACH END



INTEGRAL WW MULLION (CHS)

PRODUCT: "EXTERIOR DOOR PRODUCT" 8'0" FIBERGLASS GLAZED DOUBLE DOOR UNIT

PART OR ASSEMBLY: ANCHORING LOCATIONS & DETAILS

NO.	DATE	BY	REVISIONS
C	4/26/17	SWS	VARIOUS UPDATES
B	5/28/15	SWS	ANCHOR UPDATE
A	11/2/10	SWS	MISC UPDATES