



**STORMGUARD FIBERGLASS DOOR UNIT**  
**6'-8" DOUBLE DOOR WITH / WITHOUT SIDELITES**

GENERAL NOTES

- EVALUATED FOR USE IN LOCATIONS ADHERING TO THE FLORIDA BUILDING CODE AND WHERE PRESSURE REQUIREMENTS AS DETERMINED BY ASCE 7, MINIMUM DESIGN LOADS FOR BUILDINGS AND OTHER STRUCTURES, DOES NOT EXCEED THE DESIGN PRESSURES LISTED.
- THIS PRODUCT DOES NOT REQUIRE THE USE OF A HURRICANE PROTECTIVE SYSTEM (SHUTTERS).
- POLYURETHANE CORE FLAME SPREAD INDEX OF 50 AND SMOKE DEVELOPED INDEX OF 60 PER ASTM E84.

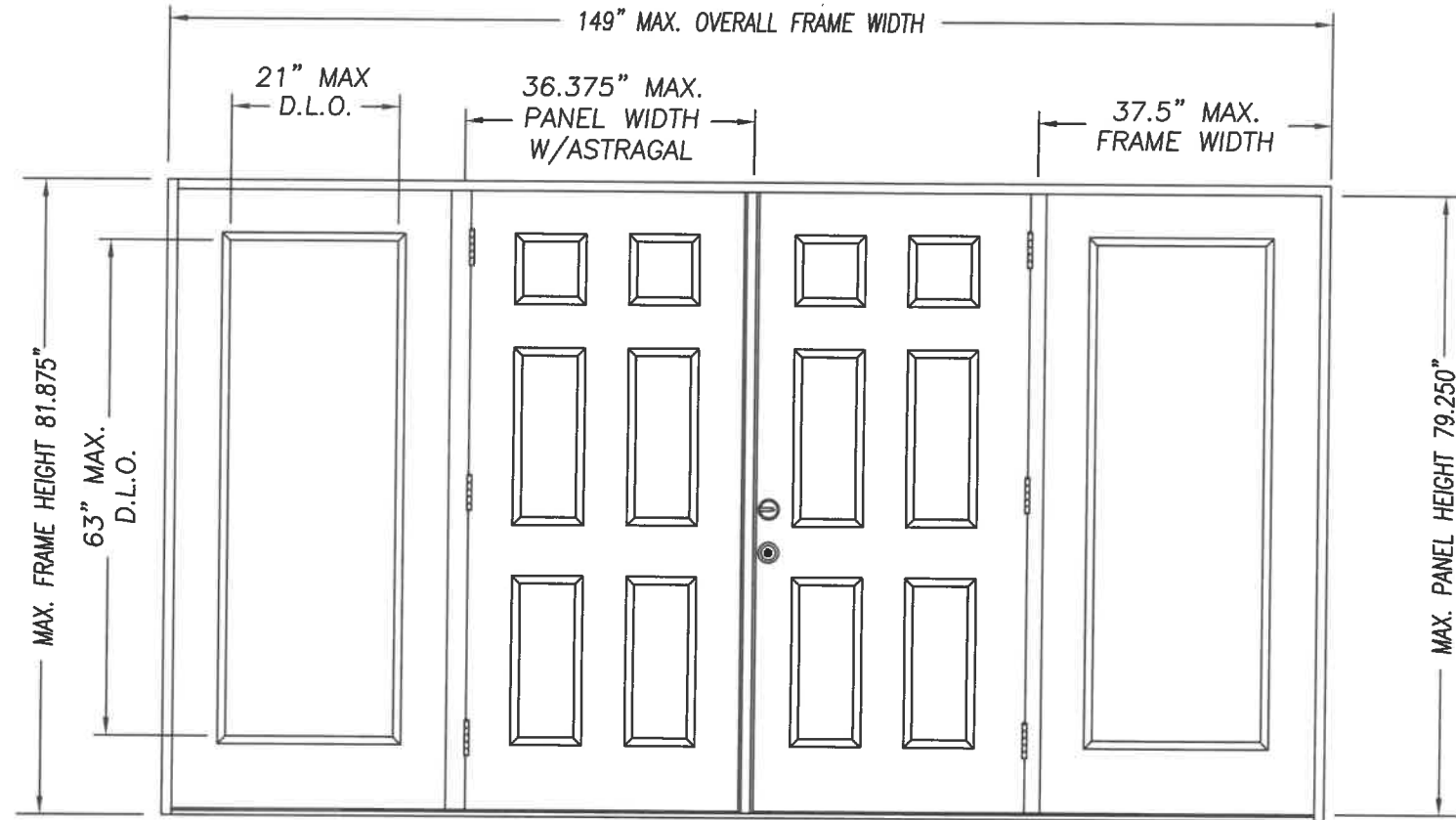
4. PLASTICS TESTING:

| TEST DESCRIPTION   | DESIGNATION | FACING          | LITE FRAME      |
|--------------------|-------------|-----------------|-----------------|
| SELF IGNITION TEMP | ASTM D1929  | 752 °F > 650 °F | 842 °F > 650 °F |
| RATE OF BURNING    | ASTM D635   | 0.56 IN/MIN     | 1.28 IN/MIN     |
| SMOKE DENSITY      | ASTM D2843  | 53.4%           | 70.2%           |
| TENSILE STRENGTH*  | ASTM D638   | 3.2% DIFF       | 1.8% DIFF       |

5. PLASTICS TESTING OF WORLDWIDE COMPOSITE FRAME (WHERE USED):

| TEST DESCRIPTION   | DESIGNATION | RESULT          |
|--------------------|-------------|-----------------|
| SELF IGNITION TEMP | ASTM D1929  | 779 °F > 650 °F |
| RATE OF BURNING    | ASTM D635   | 0.0 IN/MIN      |
| SMOKE DENSITY      | ASTM D2843  | 39.0%           |
| TENSILE STRENGTH*  | ASTM D638   | 3.6% DIFF       |

\* COMPARATIVE TENSILE STRENGTH AFTER WEATHERING 4500 HOURS XENON ARC METHOD 1



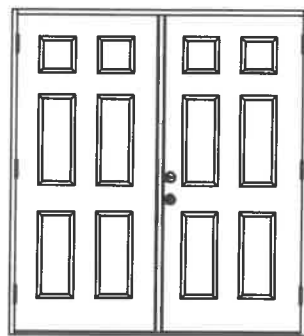
Addendum to NAMI

Certification No.: NI007077  
 Reviewed By: [Signature]  
 Date Reviewed: 10/31/17

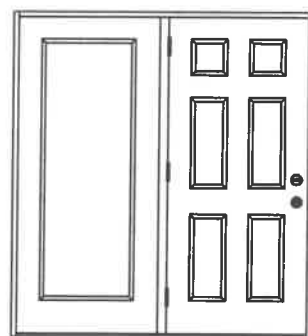
DOUBLE DOOR UNIT W/SIDELITES



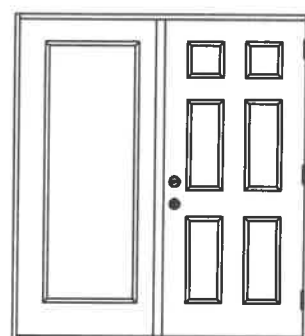
SINGLE DOOR UNIT



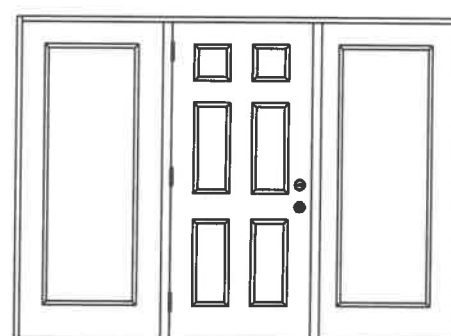
DOUBLE DOOR UNIT



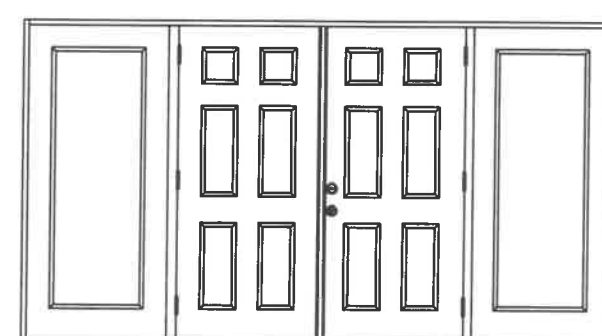
SINGLE DOOR UNIT WITH SIDELITE



SINGLE DOOR UNIT WITH SIDELITE



SINGLE DOOR UNIT W/SIDELITES



DOUBLE DOOR UNIT W/SIDELITES

| CONFIG   | MAX WIDTH | STRUCTURAL DESIGN PRESSURE RATING |               |         | WHERE WATER INFILTRATION PERFORMANCE IS REQUIRED TO BE 15% OF DESIGN PRESSURE |               |               |               |  |
|----------|-----------|-----------------------------------|---------------|---------|---|---------------|---------------|---------------|--|
|          |           | INSWING                           | ALL OUTSWING  | INSWING | BUMPER O/S  | Z-SERIES O/S  | T4 O/S        | HIGH DAM O/S  |  |
| X        | 37.5"     | +60.0 / -65.0                     | +60.0 / -60.0 | N/A     | +25.0 / -25.0   | +40.0 / -40.0 | +60.0 / -60.0 | +60.0 / -60.0 |  |
| XX       | 74"       | +50.0 / -50.5                     | +55.0 / -50.5 | N/A     | +25.0 / -25.0   | +40.0 / -40.0 | +55.0 / -50.5 | +55.0 / -50.5 |  |
| OX or XO | 75"       | +50.5 / -50.5                     | +55.0 / -50.5 | N/A     | +25.0 / -25.0   | +40.0 / -40.0 | +55.0 / -50.5 | +55.0 / -50.5 |  |
| OXO      | 112.5"    | +50.5 / -50.5                     | +55.0 / -50.5 | N/A     | +25.0 / -25.0   | +40.0 / -40.0 | +55.0 / -50.5 | +55.0 / -50.5 |  |
| OXXO     | 149"      | +50.0 / -50.5                     | +55.0 / -50.5 | N/A     | +25.0 / -25.0   | +40.0 / -40.0 | +55.0 / -50.5 | +55.0 / -50.5 |  |

PRODUCT: "EXTERIOR DOOR PRODUCT"  
 DOUBLE 6'8" OPAQUE FIBERGLASS DOOR  
 PART OR ASSEMBLY:  
 TYPICAL ELEVATIONS & GENERAL NOTES

| DATE     | REVISIONS       | BY  |
|----------|-----------------|-----|
| 10/27/17 | ADDED T4        | SWS |
| 4/26/17  | VARIOUS UPDATES | SWS |
| 5/28/15  | ANCHOR UPDATE   | SWS |
| 11/2/10  | MISC UPDATES    | SWS |

DATE: 4/9/07  
 SCALE: N.T.S.  
 DWG. BY: SWS  
 CHK. BY:  
 DRAWING NO.:  
 DWG-MA-FL0170-07  
 SHEET 1 OF 3

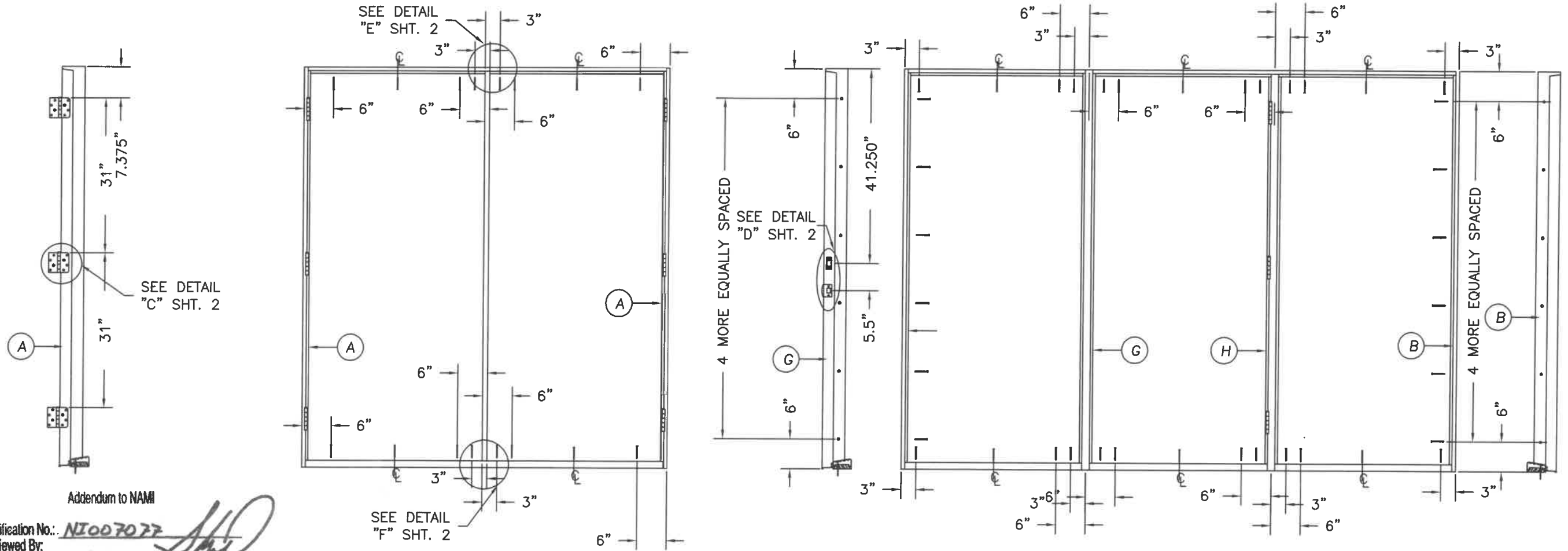
MASONITE INTERNATIONAL CORP.  
 1955 POWIS ROAD  
 WEST CHICAGO, IL 60185

*Kurt Balthazor*

KURT BALTHAZOR  
 FLORIDA P.E.  
 #56533

| SHEET # | DESCRIPTION                        |
|---------|------------------------------------|
| 1       | TYPICAL ELEVATIONS & GENERAL NOTES |
| 2       | ANCHORING LOCATIONS & DETAILS      |
| 3       | ANCHORING LOCATIONS & DETAILS      |





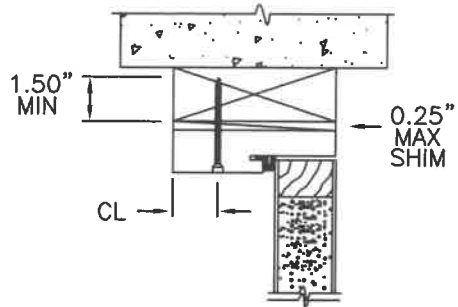
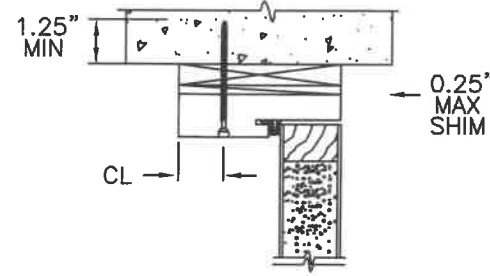
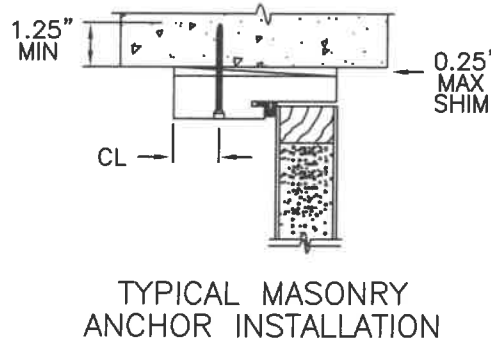
Addendum to NAMI  
 Certification No.: NI007077  
 Reviewed By: *[Signature]*  
 Date Reviewed: 10/31/17

**ATTACHMENT DETAIL**

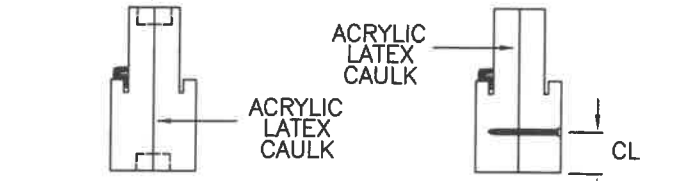
- ANCHOR ANALYSIS FOR LOADING CONDITIONS PREPARED, SIGNED AND SEALED BY ROBERTO LOMAS, PE (FLORIDA #62514) WITH THE LOWEST (LEAST) FASTENER RATING FROM THE DIFFERENT FASTENERS BEING CONSIDERED FOR USE. JAMB, HEAD, AND THRESHOLD FASTENERS ANALYZED FOR THIS UNIT INCLUDE #10 WOOD SCREWS, 1/4" TAPCONS, AND #10 TEK SCREWS. A PHYSICAL SHIM MUST BE PLACED IN SHIM SPACE AT EACH ANCHOR LOCATION. TAPCON EDGE DISTANCE MIN 2-1/2". WOOD SCREW EDGE DISTANCE MIN 3/4". TEK SCREW EDGE DISTANCE MIN 1/2".
- ANCHORING INTO STEEL STRUCTURE MUST BE SUFFICIENT TO ACHIEVE 3 THREADS MINIMUM BEYOND STEEL INTERIOR SURFACE.
- THE WOOD SCREW SINGLE SHEAR DESIGN VALUES COME FROM ANSI/AF&PA NDA FOR SOUTHERN PINE LUMBER AND ACHIEVEMENT OF 1-1/2" MINIMUM EMBEDMENT. THE TAPCON MUST ACHIEVE MINIMUM EMBEDMENT OF 1-1/4".
- WOOD BUCKS BY OTHERS MUST BE ANCHORED PROPERLY TO TRANSFER LOADS TO STRUCTURE.
- MINIMUM DESIGN VALUE STRENGTH OF ANCHORS 155 LBS.

**HARDWARE SCHEDULE**

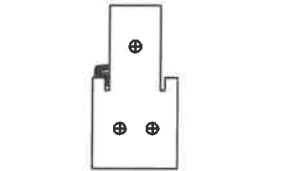
- KWIKSET SERIES 400 GRADE 3 CYLINDRICAL LATCH AND SERIES 980 GRADE 1 DEADLOCK HARDWARE TO BE INSTALLED AT 5-1/2" CENTERLINE.
- 4" X 4" FULL MORTISE BUTT HINGES.



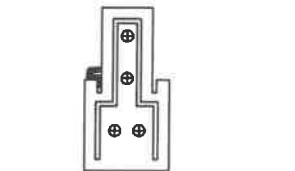
1"X1/2" CORRUGATED 3" FROM EACH END AND 7" OC  
 #10X2" WOOD SCREW 6" FROM EACH END AND 12" OC



(3) #10X2-1/2" WOOD SCREWS EACH END



(4) #10X2-1/2" WOOD SCREWS EACH END



PRODUCT: "EXTERIOR DOOR PRODUCT"  
 6'-8" FIBERGLASS OPAQUE DOUBLE DOOR UNIT  
 PART OR ASSEMBLY: ANCHORING LOCATIONS & DETAILS

| DATE     | BY  | REVISIONS       |
|----------|-----|-----------------|
| 10/27/17 | SWS | ADDED T4        |
| 4/26/17  | SWS | VARIOUS UPDATES |
| 5/28/15  | SWS | ANCHOR UPDATE   |
| 11/2/10  | SWS | MISC UPDATES    |
|          |     | NO.             |

DATE: 4/9/07  
 SCALE: N.T.S.  
 DWG. BY: SWS  
 CHK. BY:  
 DRAWING NO.: DWG-MA-FL0170-07  
 SHEET 3 OF 3