



**STORMGUARD FIBERGLASS DOOR UNIT
6'-8" DOUBLE DOOR WITH / WITHOUT SIDELITES**

GENERAL NOTES

- EVALUATED FOR USE IN LOCATIONS ADHERING TO THE FLORIDA BUILDING CODE AND WHERE PRESSURE REQUIREMENTS AS DETERMINED BY ASCE 7, MINIMUM DESIGN LOADS FOR BUILDINGS AND OTHER STRUCTURES, DOES NOT EXCEED THE DESIGN PRESSURES LISTED.
- THIS PRODUCT DOES NOT REQUIRE THE USE OF A HURRICANE PROTECTIVE SYSTEM (SHUTTERS).
- POLYURETHANE CORE FLAME SPREAD INDEX OF 50 AND SMOKE DEVELOPED INDEX OF 60 PER ASTM E84.

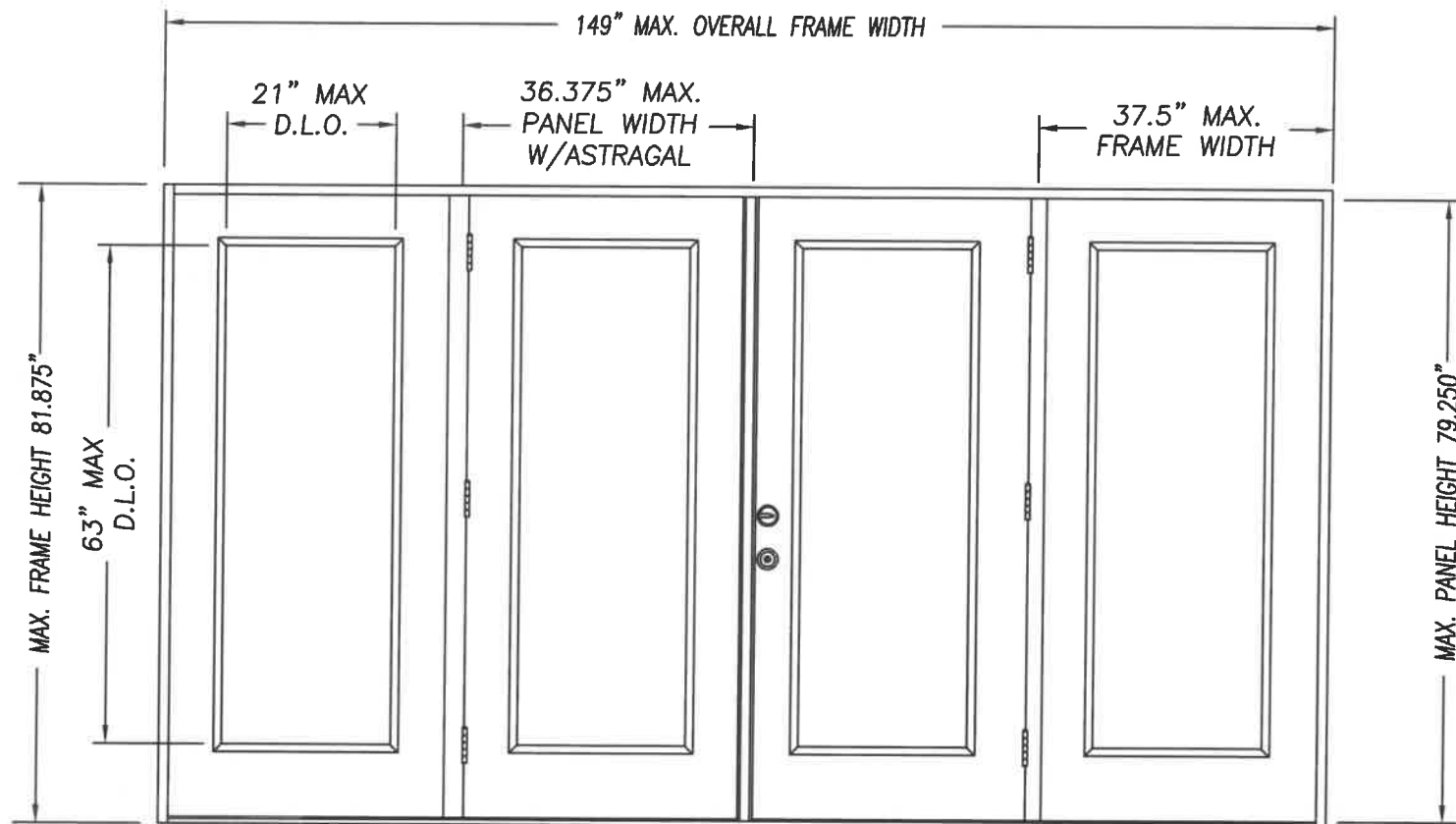
4. PLASTICS TESTING:

TEST DESCRIPTION	DESIGNATION	FACING	LITE FRAME
SELF IGNITION TEMP	ASTM D1929	752 °F > 650 °F	842 °F > 650 °F
RATE OF BURNING	ASTM D635	0.56 IN/MIN	1.28 IN/MIN
SMOKE DENSITY	ASTM D2843	53.4%	70.2%
TENSILE STRENGTH*	ASTM D638	3.2% DIFF	1.8% DIFF

5. PLASTICS TESTING OF WORLDWIDE COMPOSITE FRAME (WHERE USED):

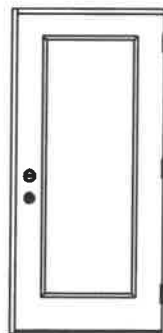
TEST DESCRIPTION	DESIGNATION	RESULT
SELF IGNITION TEMP	ASTM D1929	779 °F > 650 °F
RATE OF BURNING	ASTM D635	0.0 IN/MIN
SMOKE DENSITY	ASTM D2843	39.0%
TENSILE STRENGTH*	ASTM D638	3.6% DIFF

* COMPARATIVE TENSILE STRENGTH AFTER WEATHERING
4500 HOURS XENON ARC METHOD 1

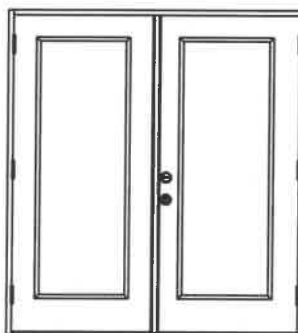


Addendum to NAM
 Certification No.: N1007077
 Reviewed By: [Signature]
 Date Reviewed: 10/31/17

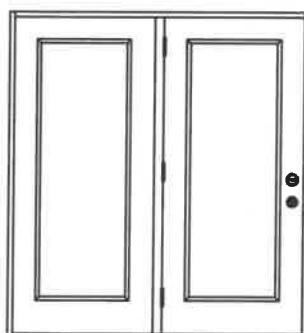
DOUBLE DOOR UNIT W/SIDELITES



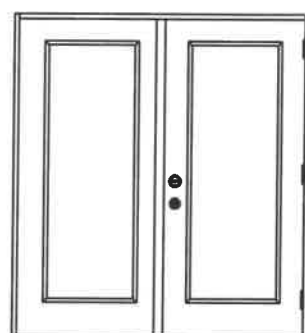
SINGLE DOOR UNIT



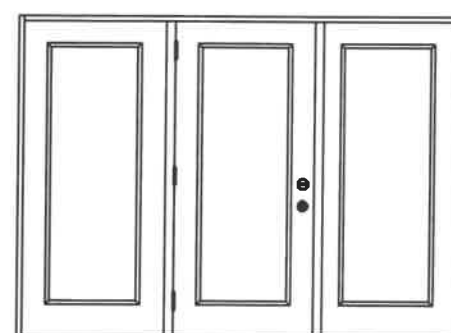
DOUBLE DOOR UNIT



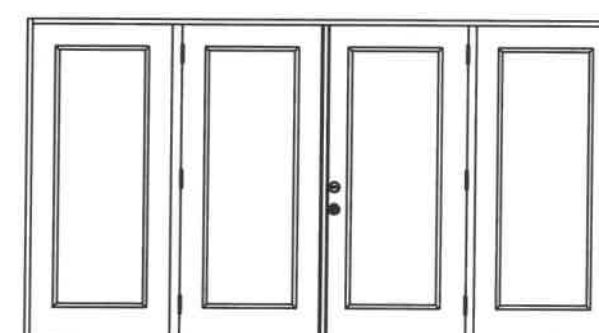
SINGLE DOOR UNIT
WITH SIDELITE



SINGLE DOOR UNIT
WITH SIDELITE



SINGLE DOOR UNIT W/SIDELITES



DOUBLE DOOR UNIT W/SIDELITES

CONFIG	MAX WIDTH	STRUCTURAL DESIGN PRESSURE RATING		WHERE WATER INFILTRATION PERFORMANCE IS REQUIRED TO BE 15% OF DESIGN PRESSURE				
		INSWING	ALL OUTSWING	INSWING	BUMPER O/S	Z-SERIES O/S	T4 O/S	HIGH DAM O/S
X	37.5"	+55.0 / -55.0	+55.0 / -55.0	N/A	+25.0 / -25.0	+40.0 / -40.0	+55.0 / -55.0	+55.0 / -55.0
XX	74"	+50.0 / -55.0	+55.0 / -55.0	N/A	+25.0 / -25.0	+40.0 / -40.0	+55.0 / -55.0	+55.0 / -55.0
OX or XO	75"	+55.0 / -55.0	+55.0 / -55.0	N/A	+25.0 / -25.0	+40.0 / -40.0	+55.0 / -55.0	+55.0 / -55.0
OXO	112.5"	+55.0 / -55.0	+55.0 / -55.0	N/A	+25.0 / -25.0	+40.0 / -40.0	+55.0 / -55.0	+55.0 / -55.0
OXXO	149"	+50.0 / -55.0	+55.0 / -55.0	N/A	+25.0 / -25.0	+40.0 / -40.0	+55.0 / -55.0	+55.0 / -55.0

MASONITE INTERNATIONAL CORP.
 1955 POWIS ROAD
 WEST CHICAGO, IL 60185

PRODUCT: "EXTERIOR DOOR PRODUCT"
 DOUBLE 6'8" GLAZED
 FIBERGLASS DOOR
 PART OR ASSEMBLY:
 TYPICAL ELEVATIONS
 & GENERAL NOTES

NO.	DATE	REVISIONS
D	10/27/17	ADDED T4
C	4/26/17	VARIOUS UPDATES
B	5/28/15	ANCHOR UPDATE
A	11/2/10	MISC UPDATES

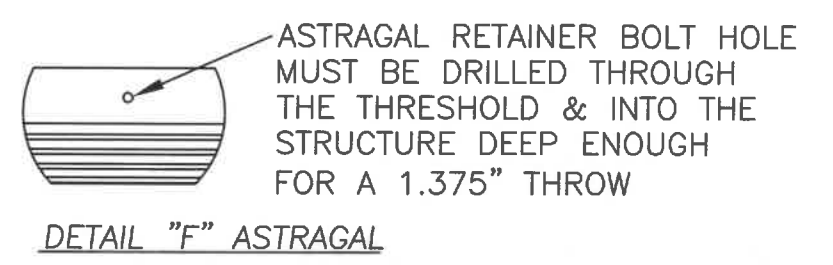
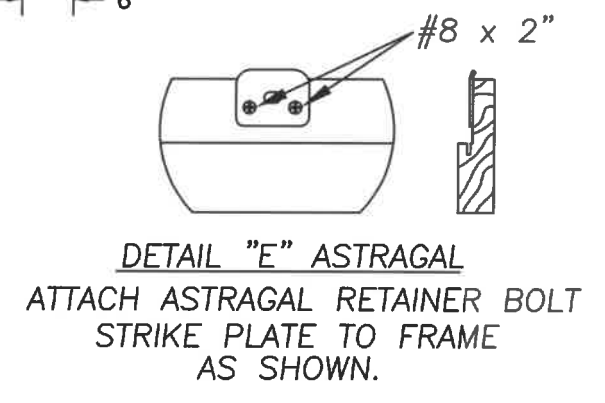
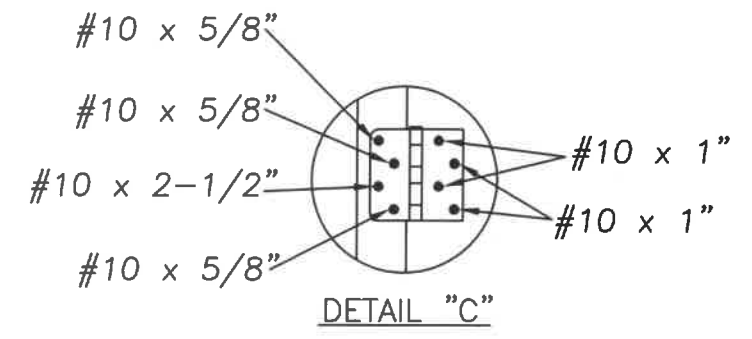
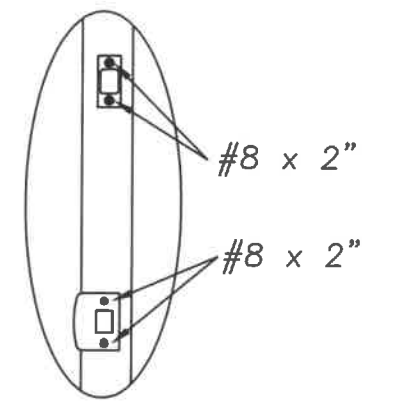
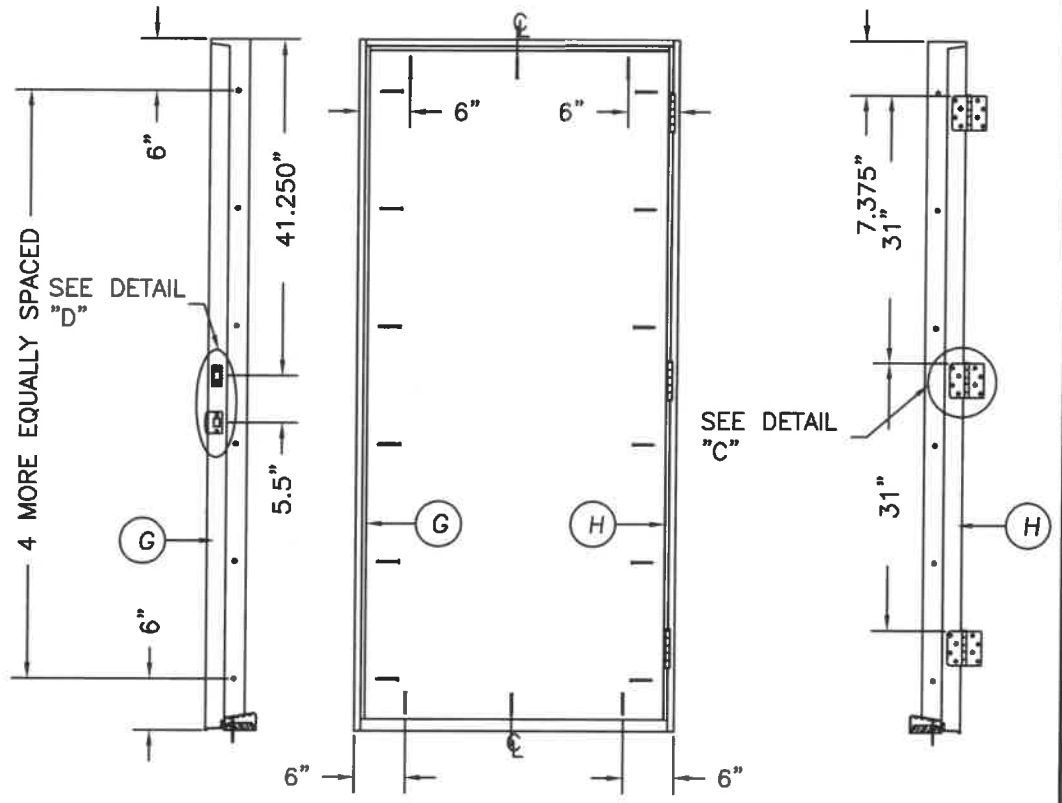
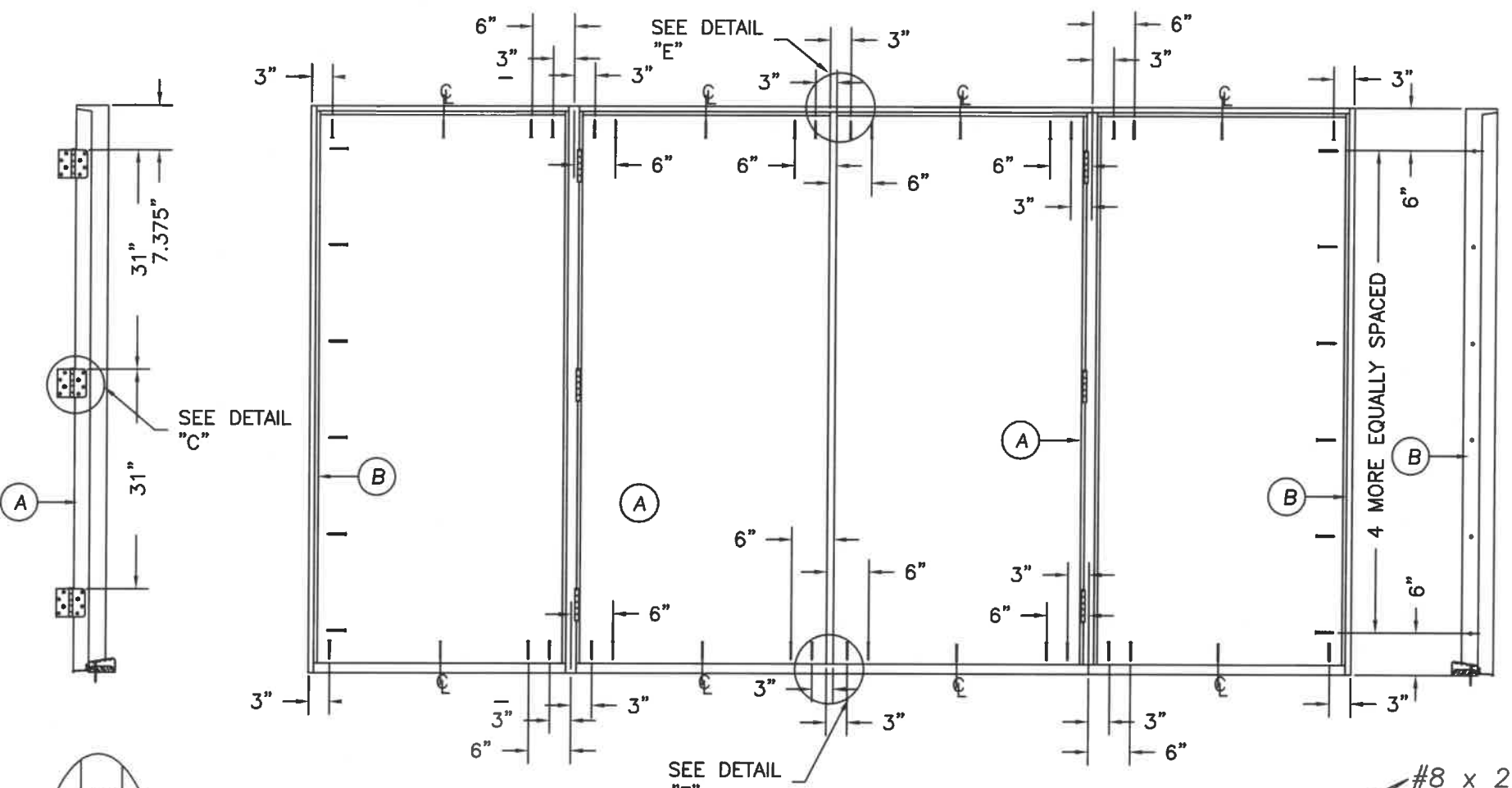
DATE: 4/9/07
 SCALE: N.T.S.
 DWG. BY: SWS
 CHK. BY:
 DRAWING NO.:
 DWG-MA-FL0172-07
 SHEET 1 OF 3

Kurt Balthazor

KURT BALTHAZOR
 FLORIDA P.E.
 #56533

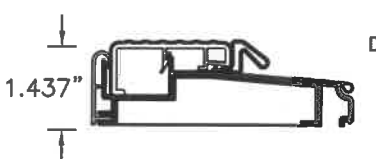
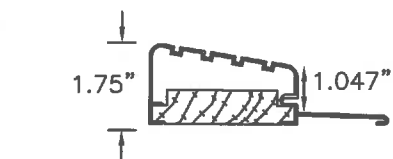
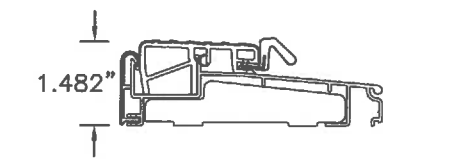
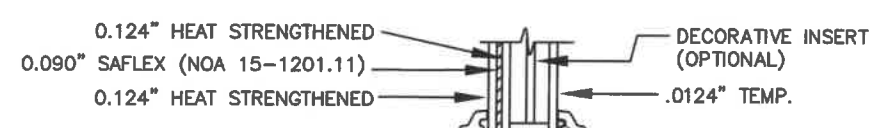
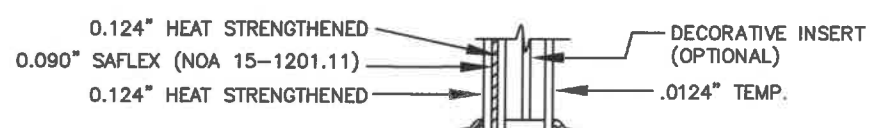
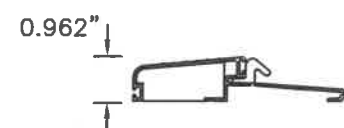
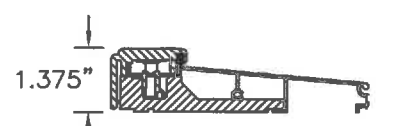
TABLE OF CONTENTS	
SHEET #	DESCRIPTION
1	TYPICAL ELEVATIONS & GENERAL NOTES
2	ANCHORING LOCATIONS & DETAILS
3	ANCHORING LOCATIONS & DETAILS

MASONITE INTERNATIONAL CORP.
 1955 POWIS ROAD
 WEST CHICAGO, IL 60185



Addendum to NAMI

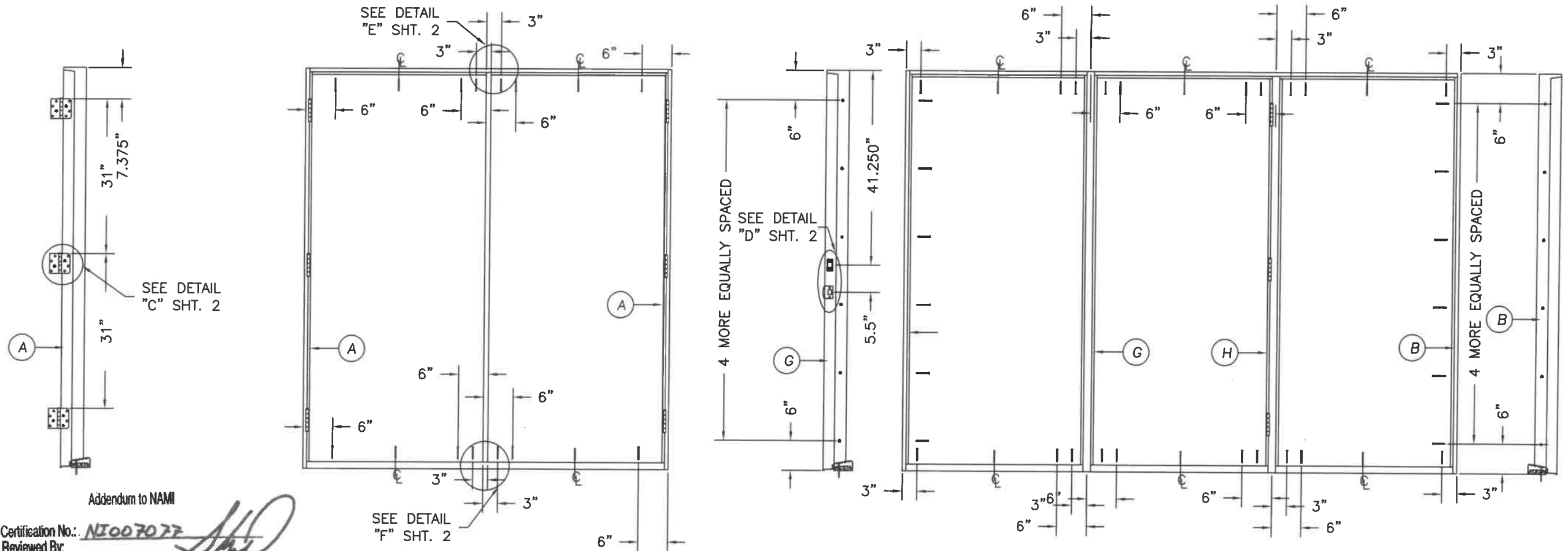
Certification No.: NI007077
 Reviewed By: [Signature]
 Date Reviewed: 10/31/17



PRODUCT: "EXTERIOR DOOR PRODUCT" 6'-8" FIBERGLASS GLAZED DOUBLE DOOR UNIT
 PART OR ASSEMBLY: ANCHORING LOCATIONS & DETAILS

		SWS	SWS	SWS	SWS	BY
	ADDED T4					
	VARIOUS UPDATES					
	ANCHOR UPDATE					
	MISC UPDATES					
NO.	DATE	REVISIONS				
D	10/27/17					
C	4/26/17					
B	5/28/15					
A	11/2/10					

DATE: 4/9/07
 SCALE: N.T.S.
 DWG. BY: SWS
 CHK. BY:
 DRAWING NO.: DWG-MA-FL0172-07
 SHEET 2 OF 3



Addendum to NAMI
 Certification No.: NI007077
 Reviewed By: [Signature]
 Date Reviewed: 10/31/17

MASONITE INTERNATIONAL CORP.
 1955 POWIS ROAD
 WEST CHICAGO, IL 60185

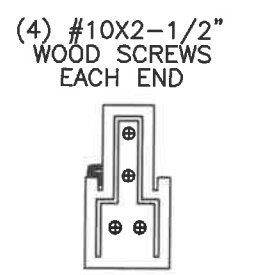
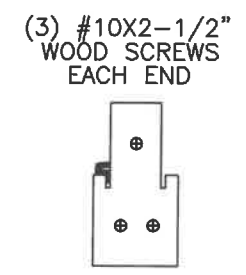
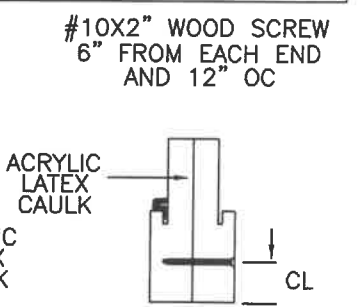
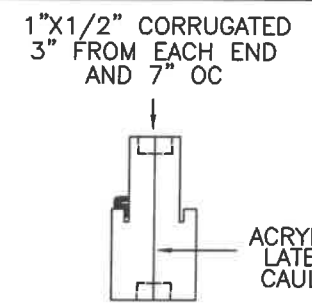
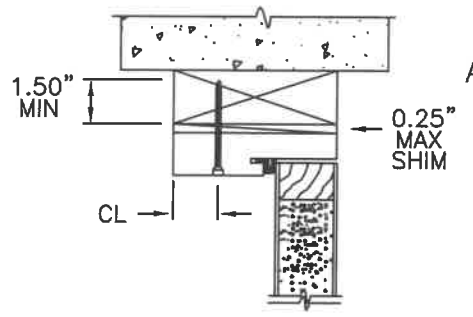
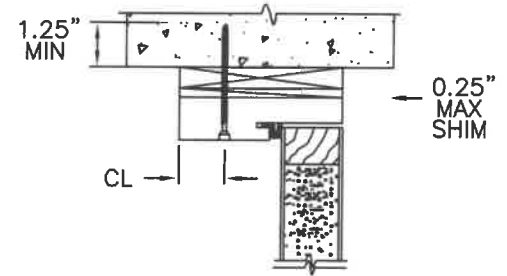
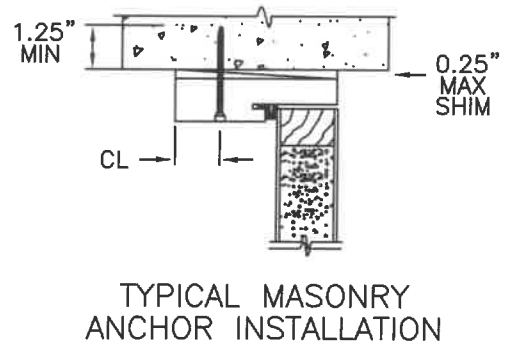
PRODUCT: EXTERIOR DOOR PRODUCT
 6'-8" FIBERGLASS GLAZED
 DOUBLE DOOR UNIT
 PART OR ASSEMBLY:
 ANCHORING LOCATIONS
 & DETAILS

ATTACHMENT DETAIL

- ANCHOR ANALYSIS FOR LOADING CONDITIONS PREPARED, SIGNED AND SEALED BY ROBERTO LOMAS, PE (FLORIDA #62514) WITH THE LOWEST (LEAST) FASTENER RATING FROM THE DIFFERENT FASTENERS BEING CONSIDERED FOR USE. JAMB, HEAD, AND THRESHOLD FASTENERS ANALYZED FOR THIS UNIT INCLUDE #10 WOOD SCREWS, 1/4" TAPCONS, AND #10 TEK SCREWS. A PHYSICAL SHIM MUST BE PLACED IN SHIM SPACE AT EACH ANCHOR LOCATION. TAPCON EDGE DISTANCE MIN 2-1/2". WOOD SCREW EDGE DISTANCE MIN 3/4". TEK SCREW EDGE DISTANCE MIN 1/2".
- ANCHORING INTO STEEL STRUCTURE MUST BE SUFFICIENT TO ACHIEVE 3 THREADS MINIMUM BEYOND STEEL INTERIOR SURFACE.
- THE WOOD SCREW SINGLE SHEAR DESIGN VALUES COME FROM ANSI/AF&PA NDA FOR SOUTHERN PINE LUMBER AND ACHIEVEMENT OF 1-1/2" MINIMUM EMBEDMENT. THE TAPCON MUST ACHIEVE MINIMUM EMBEDMENT OF 1-1/4".
- WOOD BUCKS BY OTHERS MUST BE ANCHORED PROPERLY TO TRANSFER LOADS TO STRUCTURE.
- MINIMUM DESIGN VALUE STRENGTH OF ANCHORS 155 LBS.

HARDWARE SCHEDULE

- KWIKSET SERIES 400 GRADE 3 CYLINDRICAL LATCH AND SERIES 980 GRADE 1 DEADLOCK HARDWARE TO BE INSTALLED AT 5-1/2" CENTERLINE.
- 4" X 4" FULL MORTISE BUTT HINGES.



DATE	NO.	REVISIONS
10/27/17	D	ADDED T4
4/26/17	C	VARIOUS UPDATES
5/28/15	B	ANCHOR UPDATE
11/2/10	A	MISC UPDATES

DATE: 4/9/07
 SCALE: N.T.S.
 DWG. BY: SWS
 CHK. BY:
 DRAWING NO.:
 DWG-MA-FL0172-07
 SHEET 3 OF 3