



**STORMGUARD FIBERGLASS DOOR UNIT
8'-0" DOUBLE DOOR WITH / WITHOUT SIDELITES**

GENERAL NOTES

- EVALUATED FOR USE IN LOCATIONS ADHERING TO THE FLORIDA BUILDING CODE AND WHERE PRESSURE REQUIREMENTS AS DETERMINED BY ASCE 7, MINIMUM DESIGN LOADS FOR BUILDINGS AND OTHER STRUCTURES, DOES NOT EXCEED THE DESIGN PRESSURES LISTED.
- THIS PRODUCT DOES NOT REQUIRE THE USE OF A HURRICANE PROTECTIVE SYSTEM (SHUTTERS).
- POLYURETHANE CORE FLAME SPREAD INDEX OF 50 AND SMOKE DEVELOPED INDEX OF 60 PER ASTM E84.

4. PLASTICS TESTING:

TEST DESCRIPTION	DESIGNATION	FACING	LITE FRAME
SELF IGNITION TEMP	ASTM D1929	752 °F > 650 °F	842 °F > 650 °F
RATE OF BURNING	ASTM D635	0.56 IN/MIN	1.28 IN/MIN
SMOKE DENSITY	ASTM D2843	53.4%	70.2%
TENSILE STRENGTH*	ASTM D638	3.2% DIFF	1.8% DIFF

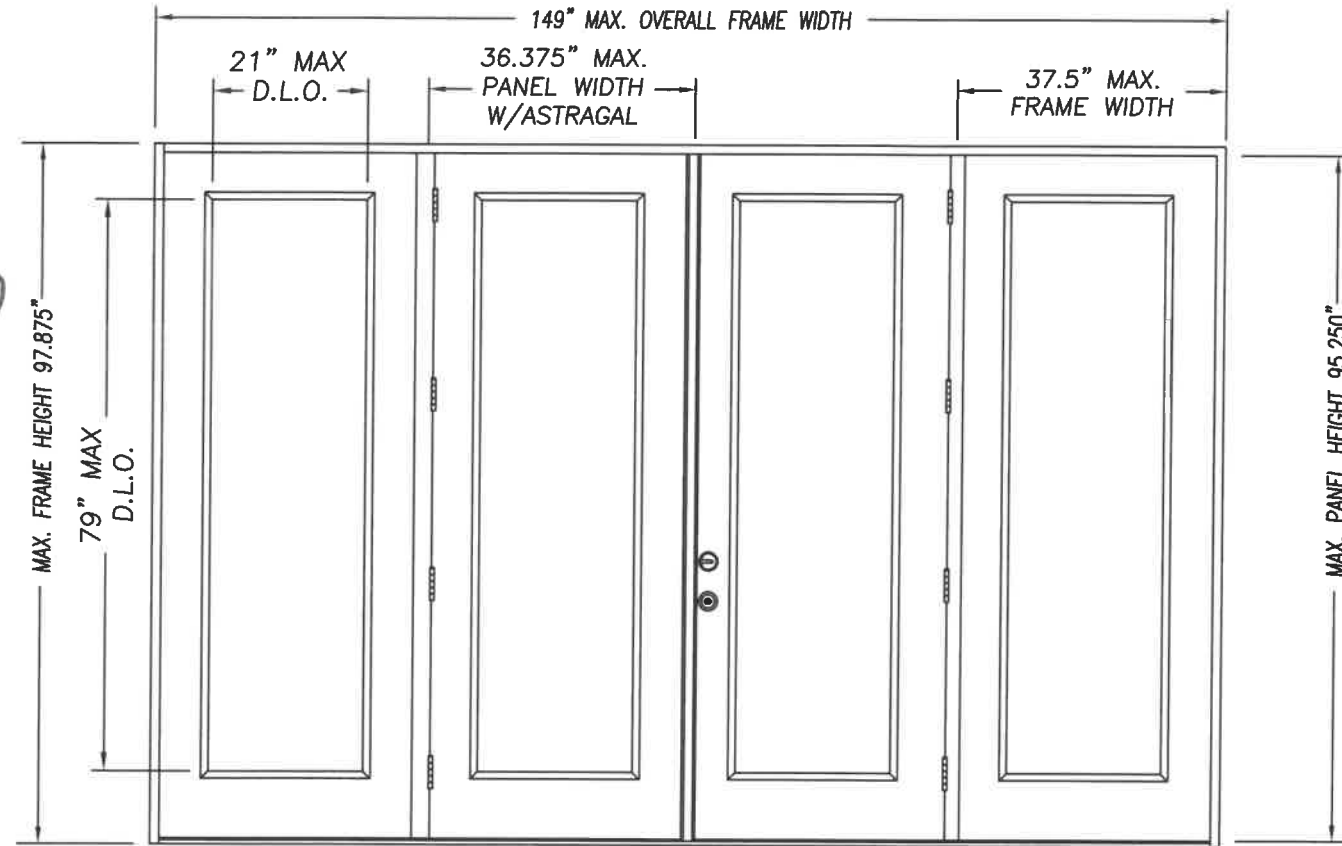
5. PLASTICS TESTING OF WORLDWIDE COMPOSITE FRAME (WHERE USED):

TEST DESCRIPTION	DESIGNATION	RESULT
SELF IGNITION TEMP	ASTM D1929	779 °F > 650 °F
RATE OF BURNING	ASTM D635	0.0 IN/MIN
SMOKE DENSITY	ASTM D2843	39.0%
TENSILE STRENGTH*	ASTM D638	3.6% DIFF

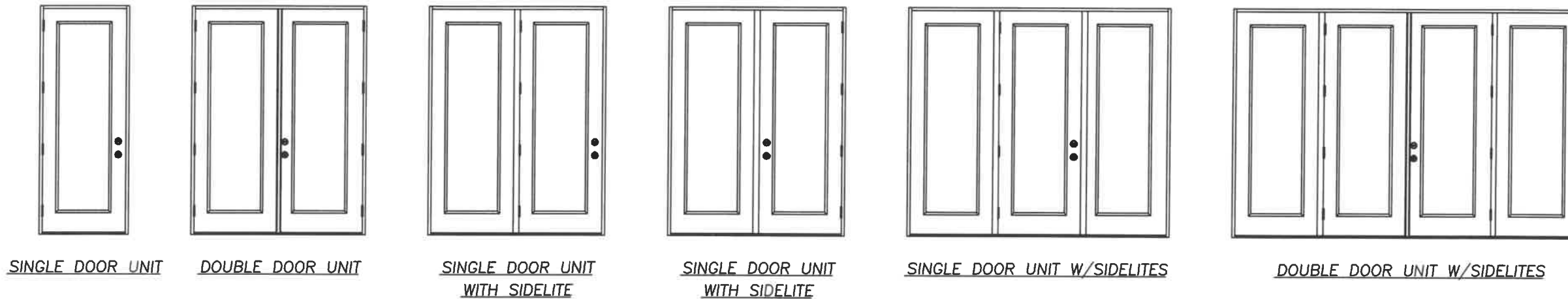
* COMPARATIVE TENSILE STRENGTH AFTER WEATHERING
4500 HOURS XENON ARC METHOD 1

Addendum to NAMI

Certification No.: NI007077
Reviewed By: [Signature]
Date Reviewed: 10/31/17



DOUBLE DOOR UNIT W/SIDELITES



CONFIG	MAX WIDTH	STRUCTURAL DESIGN PRESSURE RATING		WITH SURFACE BOLTS		WHERE WATER INFILTRATION PERFORMANCE IS REQUIRED TO BE 15% OF DESIGN PRESSURE				
		INSWING	ALL OUTSWING	ALL OUTSWING	INSWING	BUMPER O/S	Z-SERIES O/S	T4 O/S	HIGH DAM O/S	
X	37.5"	+43.0 / -47.0	+47.0 / -45.0	+55.0 / -55.0	N/A	+25.0 / -25.0	+40.0 / -40.0	+47.0 / -45.0	+47.0 / -45.0	
XX	74"	+43.0 / -47.0	+47.0 / -45.0	+55.0 / -55.0	N/A	+25.0 / -25.0	+40.0 / -40.0	+47.0 / -45.0	+47.0 / -45.0	
OX or XO	75"	+43.0 / -47.0	+47.0 / -45.0	+55.0 / -55.0	N/A	+25.0 / -25.0	+40.0 / -40.0	+47.0 / -45.0	+47.0 / -45.0	
OXO	112.5"	+43.0 / -47.0	+47.0 / -45.0	+55.0 / -55.0	N/A	+25.0 / -25.0	+40.0 / -40.0	+47.0 / -45.0	+47.0 / -45.0	
OXXO	149"	+43.0 / -47.0	+47.0 / -45.0	+55.0 / -55.0	N/A	+25.0 / -25.0	+40.0 / -40.0	+47.0 / -45.0	+47.0 / -45.0	

SHEET #	DESCRIPTION
1	TYPICAL ELEVATIONS & GENERAL NOTES
2	ANCHORING LOCATIONS & DETAILS
3	ANCHORING LOCATIONS & DETAILS
4	ANCHORING LOCATIONS & DETAILS

PRODUCT: EXTERIOR DOOR PRODUCT
DOUBLE 8'0" GLAZED FIBERGLASS DOOR
PART OR ASSEMBLY: TYPICAL ELEVATIONS & GENERAL NOTES

NO.	DATE	REVISIONS	BY
D	10/27/17	ADDED T4	SWS
C	4/26/17	VARIOUS UPDATES	SWS
B	5/28/15	ANCHOR UPDATE	SWS
A	11/2/10	MISC UPDATES	SWS

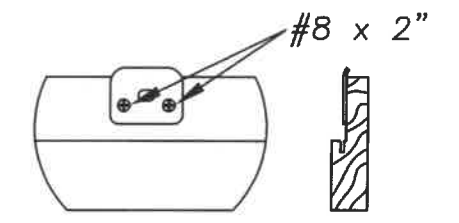
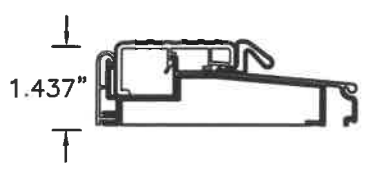
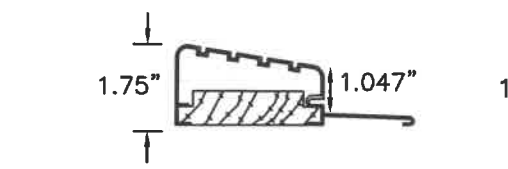
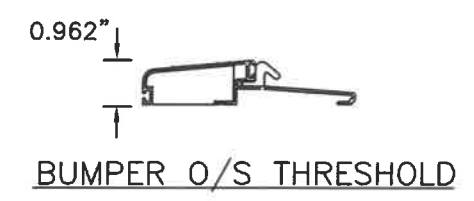
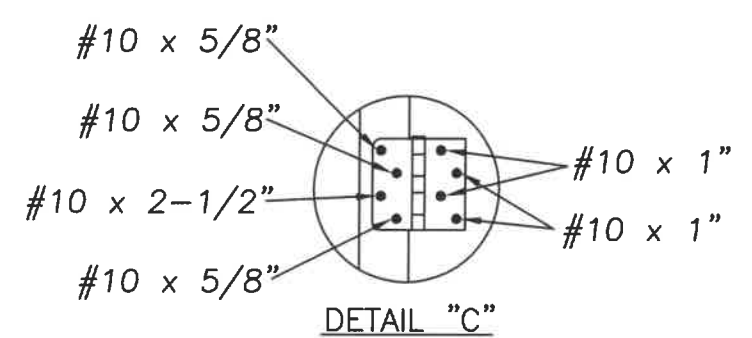
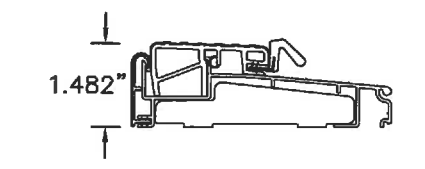
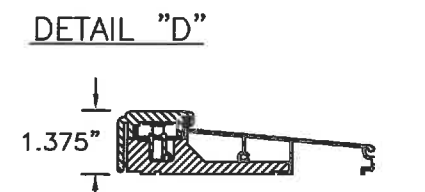
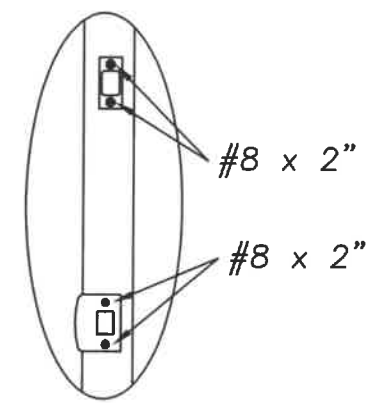
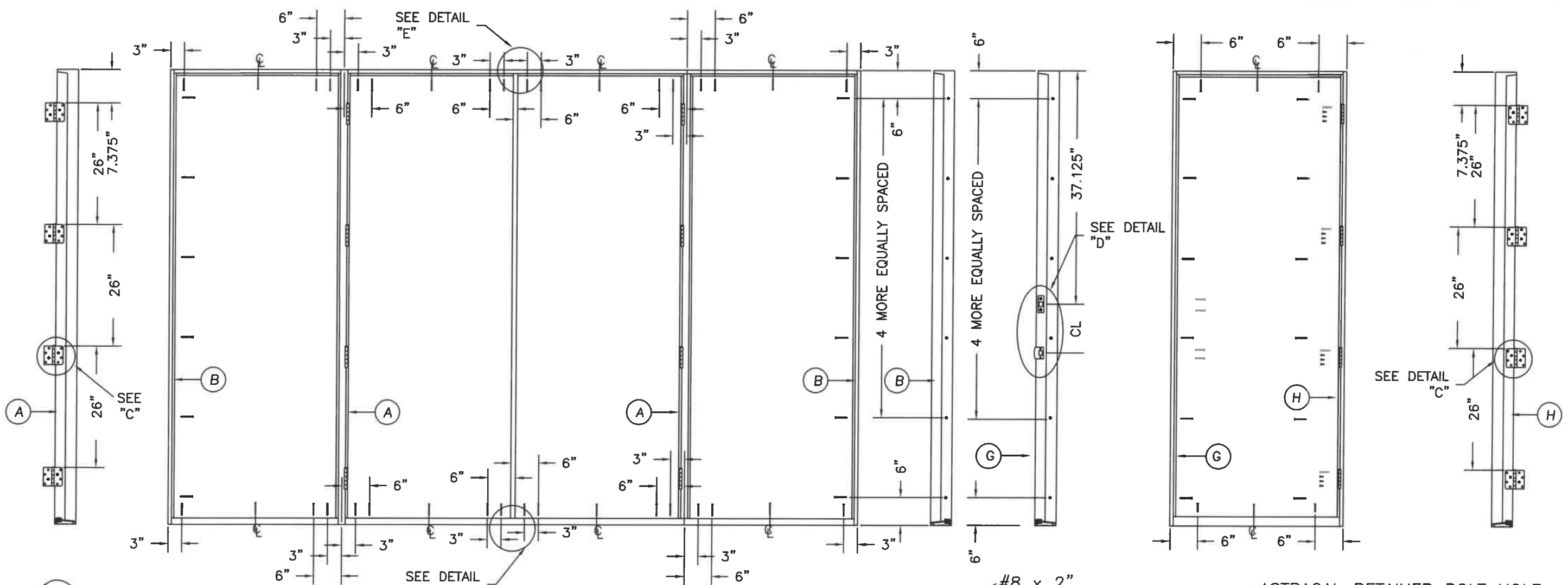
DATE: 4/9/07
SCALE: N.T.S.
DWG. BY: SWS
CHK. BY:
DRAWING NO.:
DWG-MA-FL0173-07
SHEET 1 OF 4

Kurt Balthazor
KURT BALTHAZOR
FLORIDA P.E.
#56533

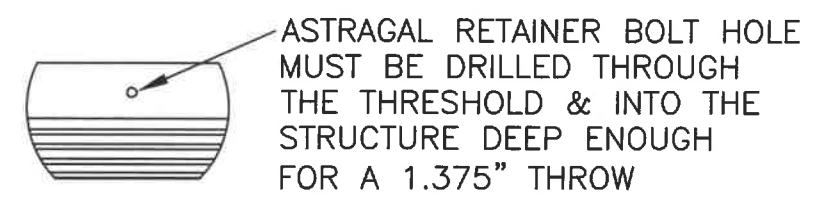
MASONITE INTERNATIONAL CORP.
1955 POWIS ROAD
WEST CHICAGO, IL 60185

MASONITE INTERNATIONAL CORP.
 1955 POWIS ROAD
 WEST CHICAGO, IL 60185

PRODUCT: "EXTERIOR DOOR PRODUCT"
 80 FIBERGLASS GLAZED
 DOUBLE DOOR UNIT
 PART OR ASSEMBLY:
 ANCHORING LOCATIONS
 & DETAILS

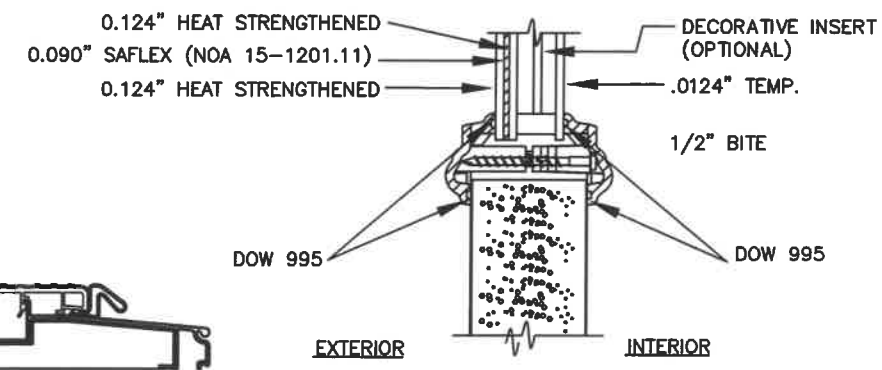


DETAIL "E" ASTRAGAL
 ATTACH ASTRAGAL RETAINER BOLT
 STRIKE PLATE TO FRAME
 AS SHOWN.

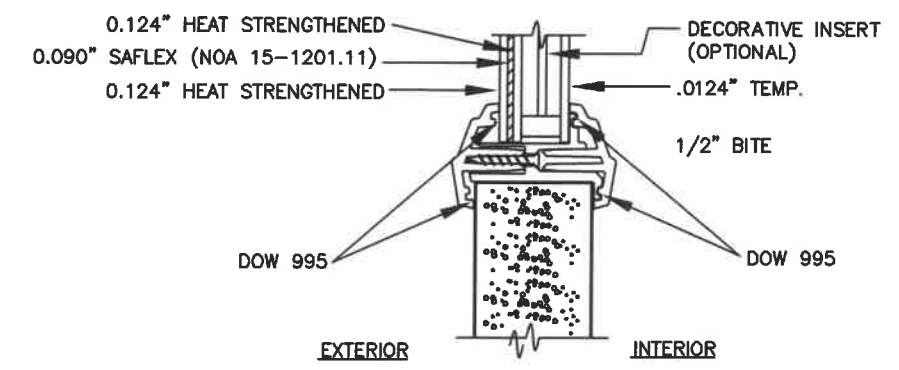


DETAIL "F" ASTRAGAL

Addendum to NAMI
 Certification No.: N1007077
 Reviewed By: [Signature]
 Date Reviewed: 10/31/17



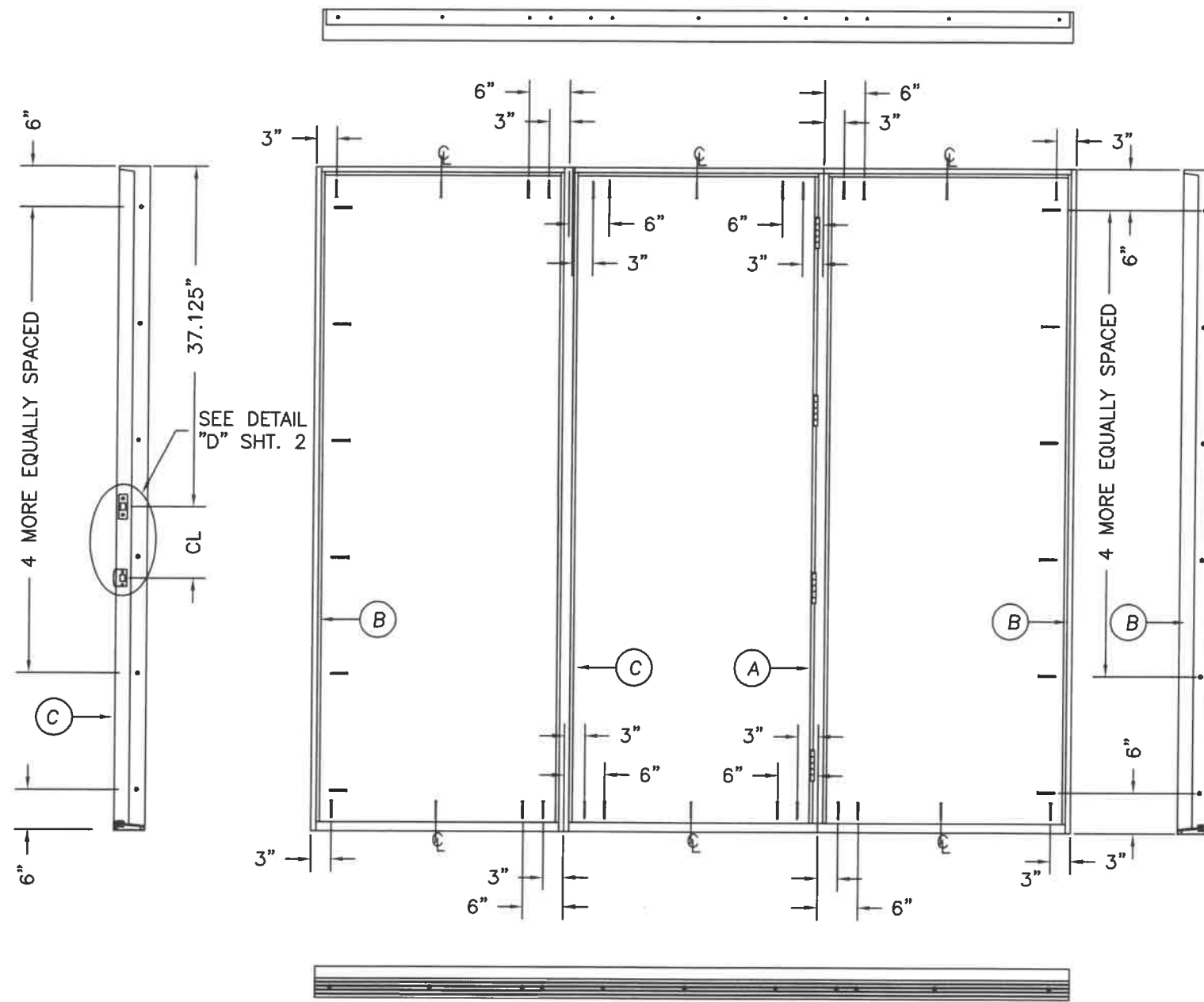
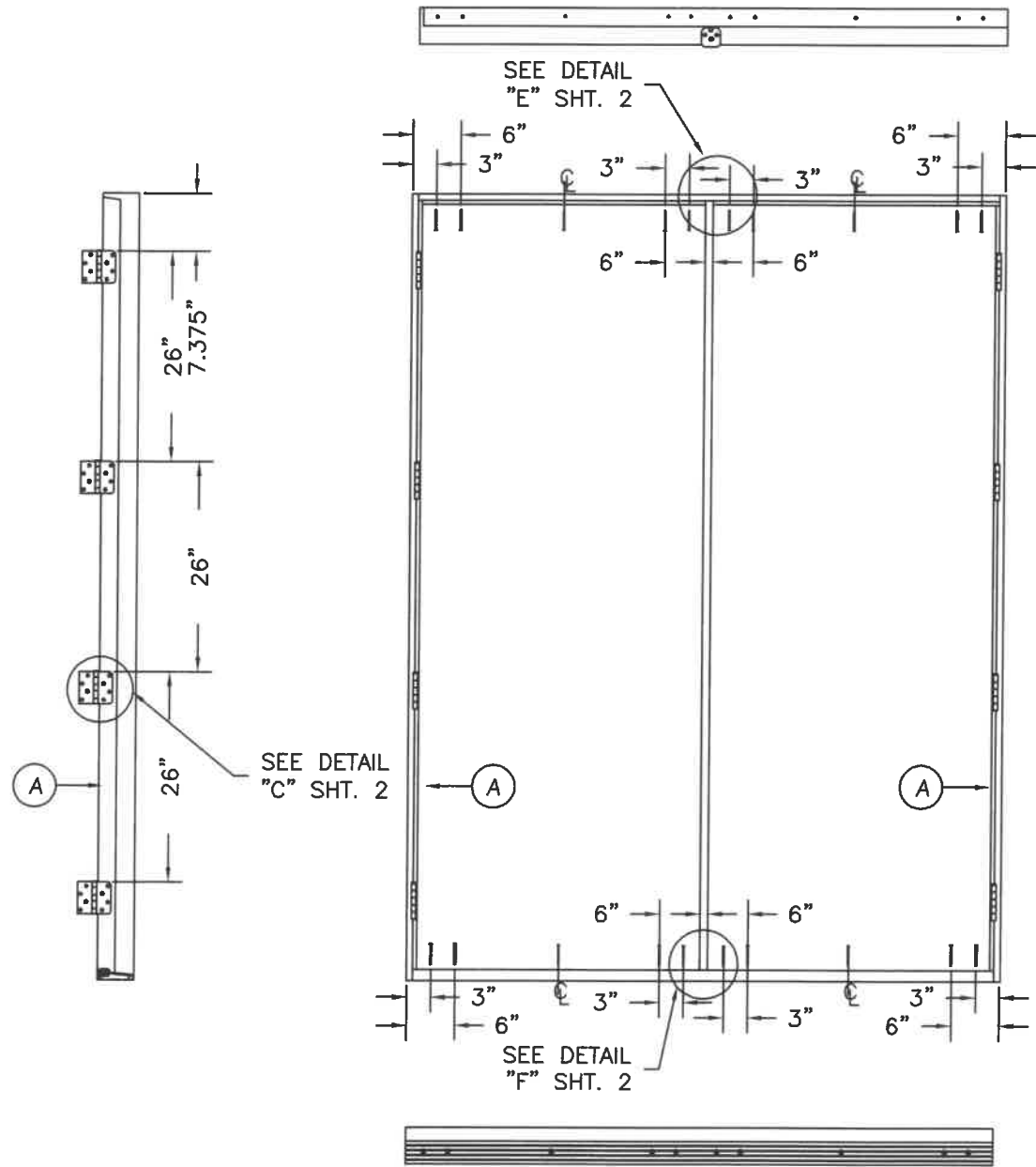
TYPICAL GLAZING DETAIL
 IMPACT RATED GLASS



ALTERNATE GLAZING DETAIL
 IMPACT RATED GLASS

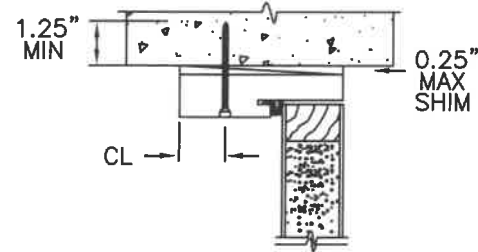
NO.	DATE	REVISIONS			
		BY	SWS	SWS	SWS
D	10/27/17	ADDED T4	SWS		
C	4/26/17	VARIOUS UPDATES	SWS		
B	5/28/15	ANCHOR UPDATE	SWS		
A	11/2/10	MISC UPDATES	SWS		

DATE: 4/9/07
 SCALE: N.T.S.
 DWG. BY: SWS
 CHK. BY:
 DRAWING NO.:
 DWG-MA-FL0173-07
 SHEET 2 OF 4

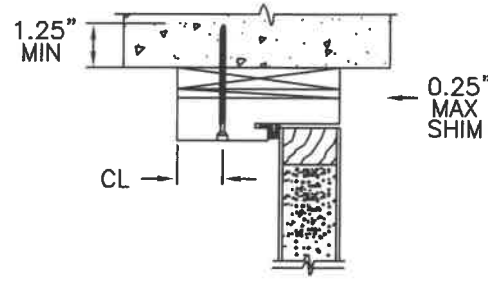


Addendum to NAMI
 Certification No.: NI007077
 Reviewed By: [Signature]
 Date Reviewed: 10/31/17

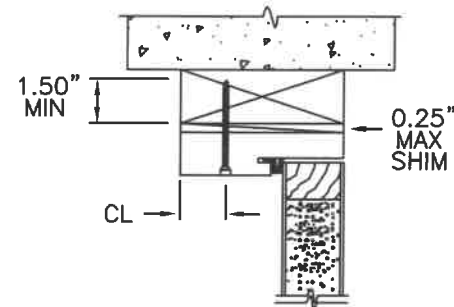
MASONITE INTERNATIONAL CORP. 1955 POWIS RD. WEST CHICAGO, IL 60185	
PRODUCT: "EXTERIOR DOOR PRODUCT" 8'0" FIBERGLASS GLAZED DOUBLE DOOR UNIT	
PART OR ASSEMBLY: ANCHORING LOCATIONS & DETAILS	
DATE: 4/9/07	REVISIONS
SCALE: N.T.S.	SWS
DWG. BY: SWS	SWS
CHK. BY:	SWS
DRAWING NO.: DWG-MA-FL0173-07	SWS
SHEET 3 OF 4	BY
NO.	DATE
D 10/27/17	ADDED T4
C 4/26/17	VARIOUS UPDATES
B 5/28/15	ANCHOR UPDATE
A 11/2/10	MISC UPDATES



TYPICAL MASONRY ANCHOR INSTALLATION



1X BUCK MASONRY ANCHOR INSTALLATION



TYPICAL WOOD BUCK ANCHOR INSTALLATION

Addendum to NAMI

Certification No.: NI007077

Reviewed By: *[Signature]*

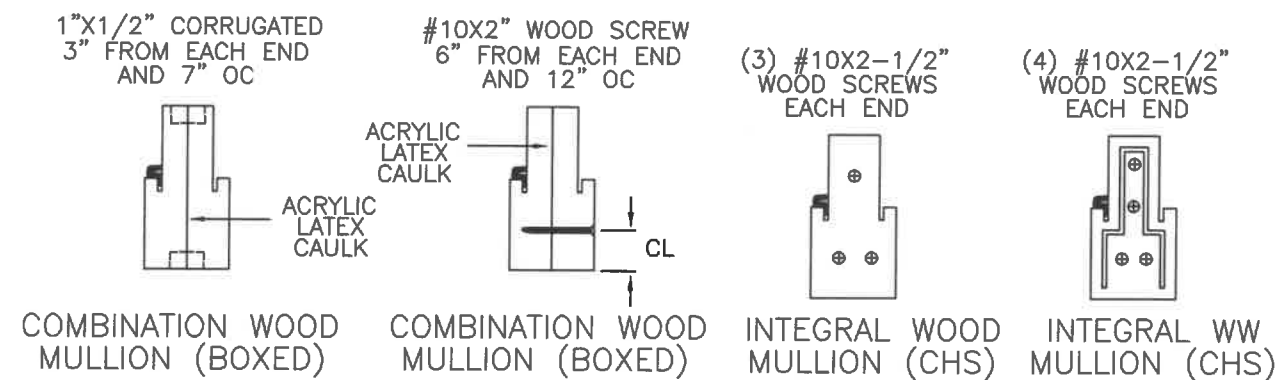
Date Reviewed: 10/31/17

ATTACHMENT DETAIL

- ANCHOR ANALYSIS FOR LOADING CONDITIONS PREPARED, SIGNED AND SEALED BY ROBERTO LOMAS, PE (FLORIDA #62514) WITH THE LOWEST (LEAST) FASTENER RATING FROM THE DIFFERENT FASTENERS BEING CONSIDERED FOR USE. JAMB, HEAD, AND THRESHOLD FASTENERS ANALYZED FOR THIS UNIT INCLUDE #10 WOOD SCREWS, 1/4" TAPCONS, AND #10 TEK SCREWS. A PHYSICAL SHIM MUST BE PLACED IN SHIM SPACE AT EACH ANCHOR LOCATION. TAPCON EDGE DISTANCE MIN 2-1/2". WOOD SCREW EDGE DISTANCE MIN 3/4". TEK SCREW EDGE DISTANCE MIN 1/2".
- ANCHORING INTO STEEL STRUCTURE MUST BE SUFFICIENT TO ACHIEVE 3 THREADS MINIMUM BEYOND STEEL INTERIOR SURFACE.
- THE WOOD SCREW SINGLE SHEAR DESIGN VALUES COME FROM ANSI/AF&PA NDA FOR SOUTHERN PINE LUMBER AND ACHIEVEMENT OF 1-1/2" MINIMUM EMBEDMENT. THE TAPCON MUST ACHIEVE MINIMUM EMBEDMENT OF 1-1/4".
- WOOD BUCKS BY OTHERS MUST BE ANCHORED PROPERLY TO TRANSFER LOADS TO STRUCTURE.
- MINIMUM DESIGN VALUE STRENGTH OF ANCHORS 155 LBS.

HARDWARE SCHEDULE

1.	KWIKSET SERIES 400 GRADE 3 CYLINDRICAL LATCH AND SERIES 980 GRADE 1 DEADLOCK HARDWARE TO BE INSTALLED AT 10-1/2" CENTERLINE.
2.	4" X 4" FULL MORTISE BUTT HINGES.



MASONITE INTERNATIONAL CORP.
1955 POWIS RD.
WEST CHICAGO, IL 60185

PRODUCT: "EXTERIOR DOOR PRODUCT"
8'0" FIBERGLASS GLAZED DOUBLE DOOR UNIT
PART OR ASSEMBLY:
ANCHORING LOCATIONS & DETAILS

NO.	DATE	REVISIONS
D	10/27/17	ADDED T4
C	4/26/17	VARIOUS UPDATES
B	5/28/15	ANCHOR UPDATE
A	11/2/10	MISC UPDATES

DATE: 4/9/07
SCALE: N.T.S.
DWG. BY: SWS
CHK. BY:
DRAWING NO.: DWG-MA-FL0173-07
SHEET 4 OF 4