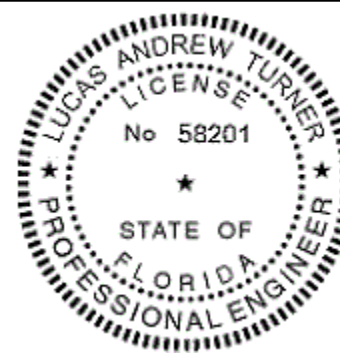
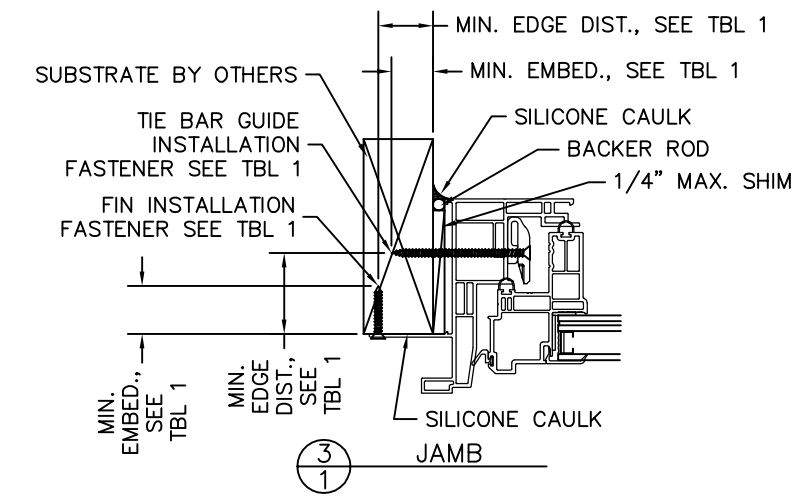
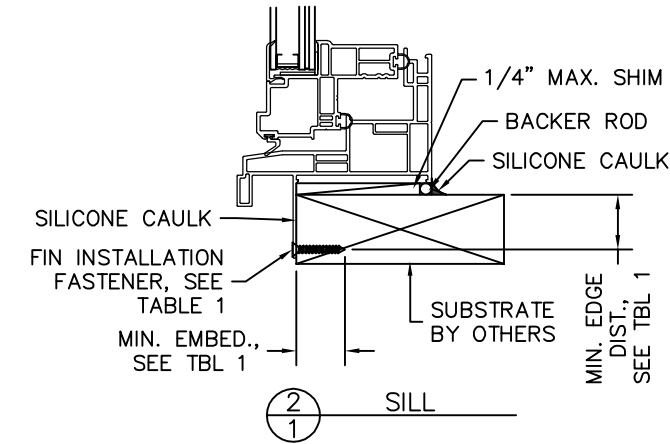
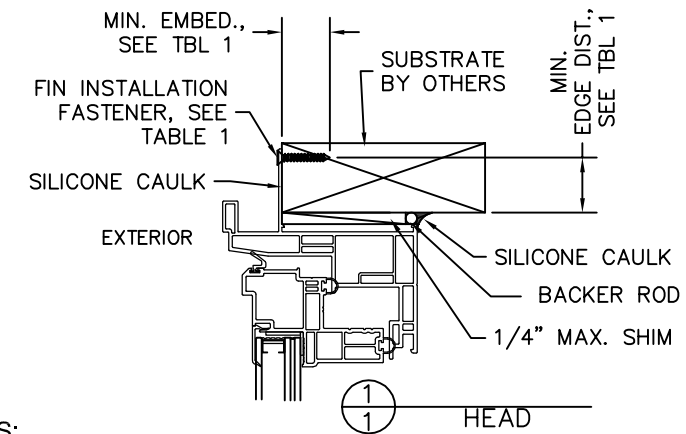
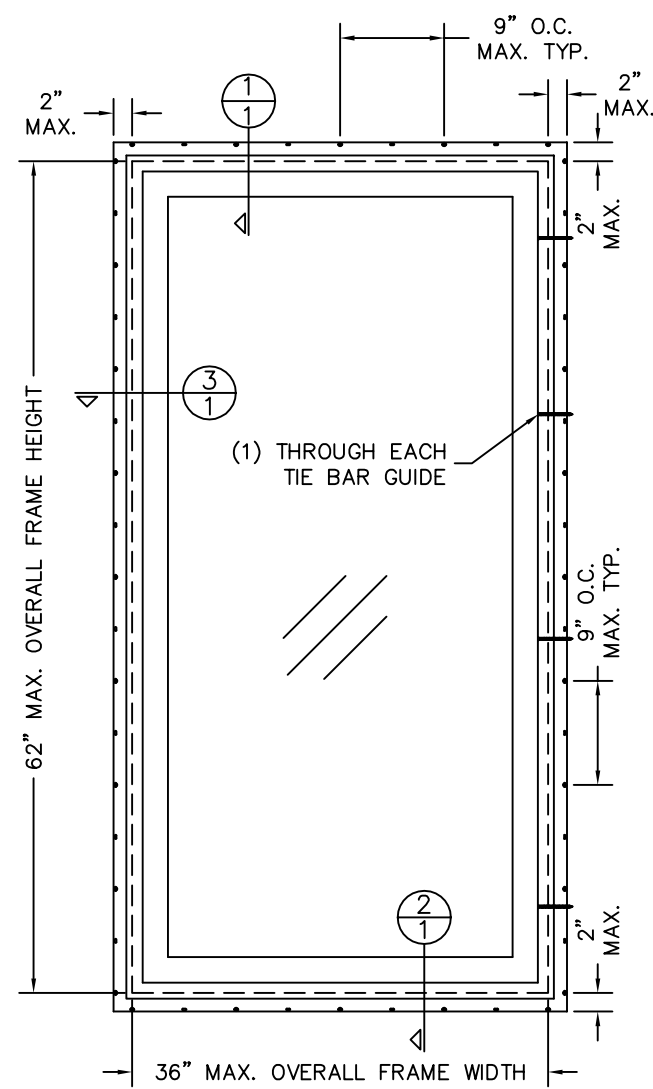


**MODEL DESIGNATION:** Simonton Impact Resistant Casement Series 42-19 Vinyl Window  
**MAXIMUM OVERALL NOMINAL SIZE:** Single up to 36" X 62"  
**DESIGN PRESSURE RATING:** Positive: 50.0 PSF  
 Negative: 50.0 PSF  
**USABLE CONFIGURATIONS:** X  
**GENERAL DESCRIPTION:** The head, sill, and side jambs are extruded PVC. The wall thickness through which the anchor screw penetrates is a minimum of 0.070".



2/29/2016  
 LUCAS A. TURNER, P.E.  
 FL PE # 58201  
 TURNER ENGINEERING & CONSULTING, INC.  
 (COA # 29779)  
 1239 JABARA AVE.  
 NORTH PORT, FL 34288  
 PH. 941-380-1574

REV. #	REVISIONS:	REVISED BY:	DATE:
1	UPDATED FOR MULTIPLE SUBSTRATE TYPES	L.A.T.	9/7/14
2	ADDED TEMPERED OUTBOARD OPTION	L.A.T.	6/30/15
3	UPDATED TEST REPORT IN NOTE 15 AND ADDED NOTES 16 & 17. ADDED BACKER ROD.	LMH	02/26/16
.	.	.	.
.	.	.	.



**NOTES:**

- This installation has been evaluated for use in locations adhering to the Texas & Florida Building Codes and where pressure requirements as determined by ASCE 7 Minimum Design Loads for Buildings and Other Structures do not exceed the design pressure ratings herein, for use outside the H.V.H.Z.
- All interior perimeter surfaces and exterior fins of the window must be caulked.
- Anchor type, size, spacing, and embedment shall be as specified in these drawings.
- Anchor embedment to substrate shall be beyond wall dressing or stucco. Fin installations to concrete/masonry openings require the use of 2x wood bucks between product and substrate, with product installation to 2x buck as indicated on sheet 1. For flange installations to concrete/CMU openings, embedment shall be beyond wood bucks, if used, and into substrate, see sheet 2. Flange installations to solid concrete or grout-filled CMU may include but do not require 1x wood bucks between product and substrate.
- Wood or masonry openings, bucks, and buck fasteners, by others, shall be properly designed and installed to transfer wind loads to the structure. Substrates shall meet the minimum strength requirements as shown in Table 1, this sheet, and Table 2, sheet 2.
- The responsibility for selection of Simonton products to meet any applicable local laws, building codes, ordinances, or other safety requirements rests solely with the architect, building owner, or contractor.
- Shims are required where gaps of greater than 1/16" exist between opening and frame. Max. shim stack is 1/4". Shims shall be load-bearing and capable of transferring loads to the substrate.
- When used in areas requiring impact protection conforming to missile level C, wind zone 2, this product DOES NOT REQUIRE the use of approved impact resistant shutters or other external protection.
- Sealing and flashing by others should be applied using the ASTM E 2112 methodology appropriate for the opening into which the door is being installed. Overall water penetration resistance of the installed product is the responsibility of others.
- Glazing shall comply with ASTM E 1300-04 and safety glazing requirements per FBC Section 2406.
- For installation to metal substrates, anchors shall be long enough to be fully threaded through the metal thickness with an additional 3/16" min. of threads beyond.
- A minimum center-to-center spacing of 1-1/4" shall be maintained between all Elco Ultracons in any direction.
- All fasteners penetrating into pressure treated wood shall be capable of preventing corrosion due to reaction with pressure treatment chemicals. Any dissimilar materials that come into contact shall be protected to prevent reactions in accordance with code requirements.
- A wind load duration factor Cd = 1.6 was used for the analysis of wood screws only.
- Windows shall be constructed as specified in test reports B7593.01-501-47-r1, B7702.01-501-47-r0 and, E0141.01-109-47-r0 by Architectural Testing, Inc. and SIMO-003-03-03 by PRI Construction Material Technologies, LLC.
- Use 100% pure silicone caulk compliant with AAMA 800 Section 1 - Sealant Specifications for use with Architectural Fenestration Products. Make sure surfaces are completely free from all old caulk, damaged wood, wood fibers, grease, oil dirt, rust, mold or similar contaminants. Vacuum and clean opening surfaces completely. A fully primed surface is recommended, but not required. Cleaning of all surfaces should be done the same day of which the silicone caulk is to be applied. For more details see "Coastal Installation" on Simonton.com.
- Caulk application: recommended air and surface temperatures at the time of application are to be between 40 and 90 degrees F. Insure all contact surfaces are clean and dry including the new window(s). Use a backer rod on all joints >3/4" deep and/or wider than 1/4". Finished caulk joint should be a minimum of 3/8" deep and make full contact with both the new window and structural opening surfaces. Silicone caulk should be forced into joint or compressed to assure full contact on both surfaces and to expel any air pockets.

TABLE 1: FIN INSTALLATION FASTENERS TABLE

ID	SUBSTRATE TYPE	ANCHOR TYPE	MIN. EMBED.	MIN. EDGE DISTANCE
ANCHOR THROUGH TIE-BAR GUIDE AND FRAME:				
A	2X MIN. SOUTHERN PINE WOOD (G=0.55)	#8 WOOD SCREW	1"	7/16"
ANCHOR THROUGH FIN:				
B	2X MIN. SOUTHERN PINE WOOD (G=0.55)	#6 WOOD SCREW	1"	3/8"

**DISCLOSURE STATEMENT**  
 This document is the property of Simonton Windows, which retains all proprietary and other rights to its subject matter. This document is provided to the recipient on the expressed condition that it is not to be disclosed, reproduced in whole or part, nor used in conjunction with the design, manufacture or repair of goods for anyone other than Simonton Windows without its consent. This restriction does not limit the recipient's rights to utilize information contained in this document which is properly obtained from another source.

FILE: IN0547

MATERIAL:	
RMS FINISH:	EXCEPT AS NOTED
ALLOY & TEMPER:	
WEIGHT:	VOLUME:
SURFACE AREA:	PERIMETER:
FINISH TREATMENT:	

Dimensional Tolerances  
 Unless Otherwise Specified

Decimals	Angles
.X ± .03	
.XX ± .01	0° 30 min.
.XXX ± .005	

**SIMONTON**  
 WINDOWS  
 1 Cochrane Avenue  
 Pennsboro, WV 26415

SIZE: DRAWING NO.: B IN0547	REV.: 3
DRAWN BY: T.D.D.	DATE: 04/25/12
CHECKED BY:	DATE:
SCALE: FIT	SHEET: 1 of 2
SERIES: 42-19 IMPACT RESISTANT CASEMENT WINDOW	APPR'VD BY: DATE:
TITLE: ELEVATION, FIN INSTALLATION, NOTES, FIN ANCHOR TABLE	

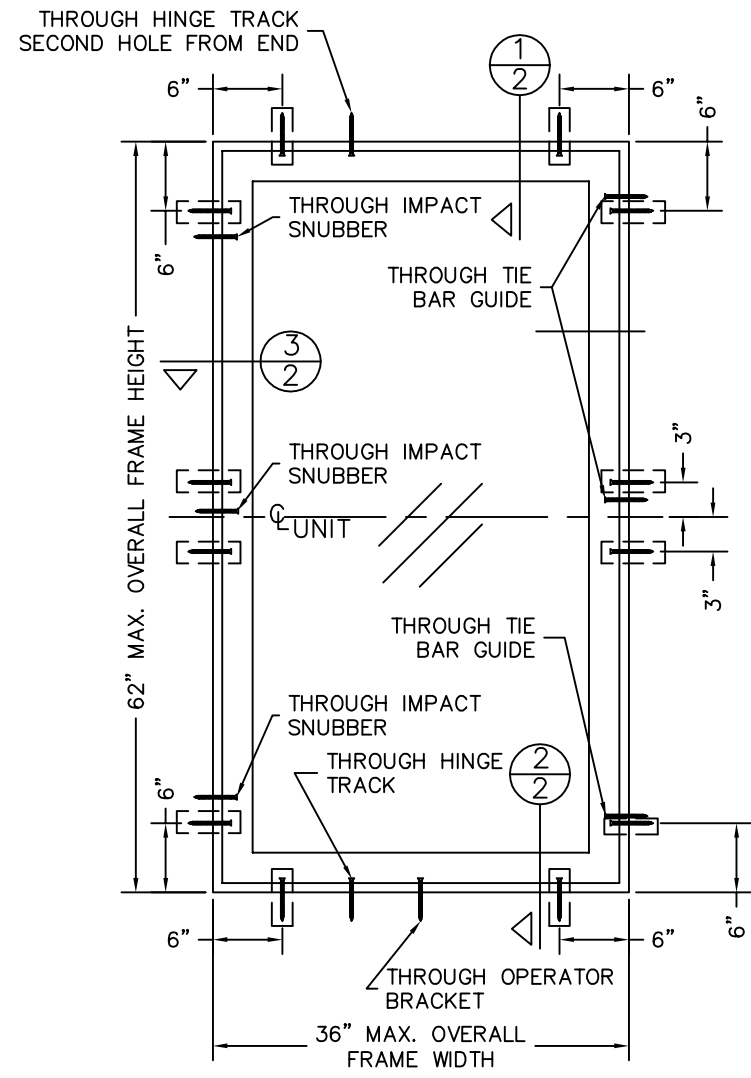
**MODEL DESIGNATION:** Simonton Impact Resistant Casement Series 42-19 Vinyl Window  
**MAXIMUM OVERALL NOMINAL SIZE:** Single up to 36" X 62"  
**DESIGN PRESSURE RATING:** Positive: 50.0 PSF  
 Negative: 50.0 PSF  
**USABLE CONFIGURATIONS:** X

**GENERAL DESCRIPTION:** The head, sill, and side jambs are extruded PVC. The wall thickness through which the anchor screw penetrates is a minimum of 0.070".

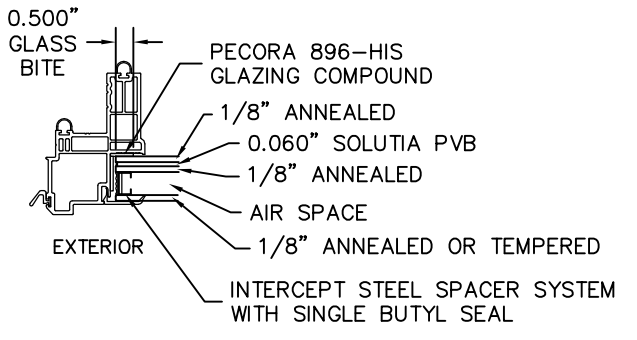
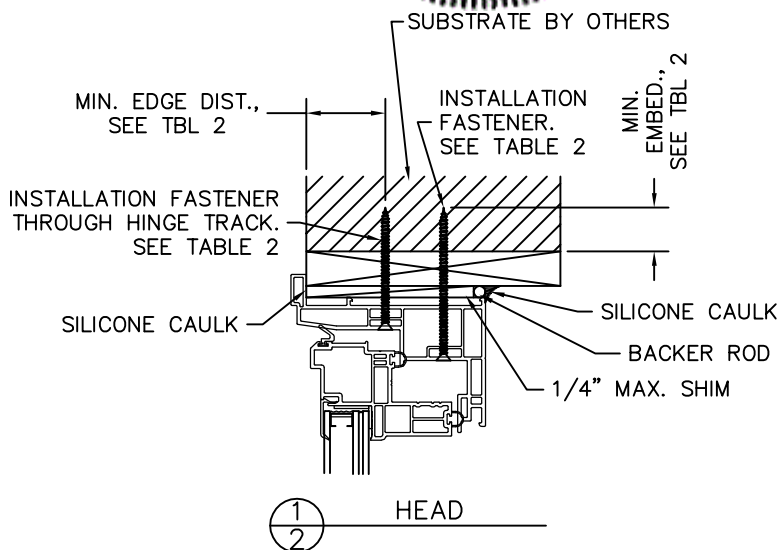


2/29/2016  
 LUCAS A. TURNER, P.E.  
 FL PE # 58201  
 TURNER ENGINEERING & CONSULTING, INC.  
 (COA # 29779)  
 1239 JABARA AVE.  
 NORTH PORT, FL 34288  
 PH. 941-380-1574

REV. #	REVISIONS:	REVISED BY:	DATE:
1	UPDATED FOR MULTIPLE SUBSTRATE TYPES	L.A.T.	9/7/14
2	ADDED TEMPERED OUTBOARD OPTION	L.A.T.	6/30/15
3	UPDATE FOR MULTIPLE SUBSTRATE TYPES. ADDED BACKER ROD.	LMH	02/26/16
.	.	.	.
.	.	.	.



== INSTALLATION HOLE PRE-DRILLED BY MANUFACTURER



7/8" INSULATED ANNEALED/TEMPERED IMPACT GLASS WITH 0.060" PVB INTERLAYER

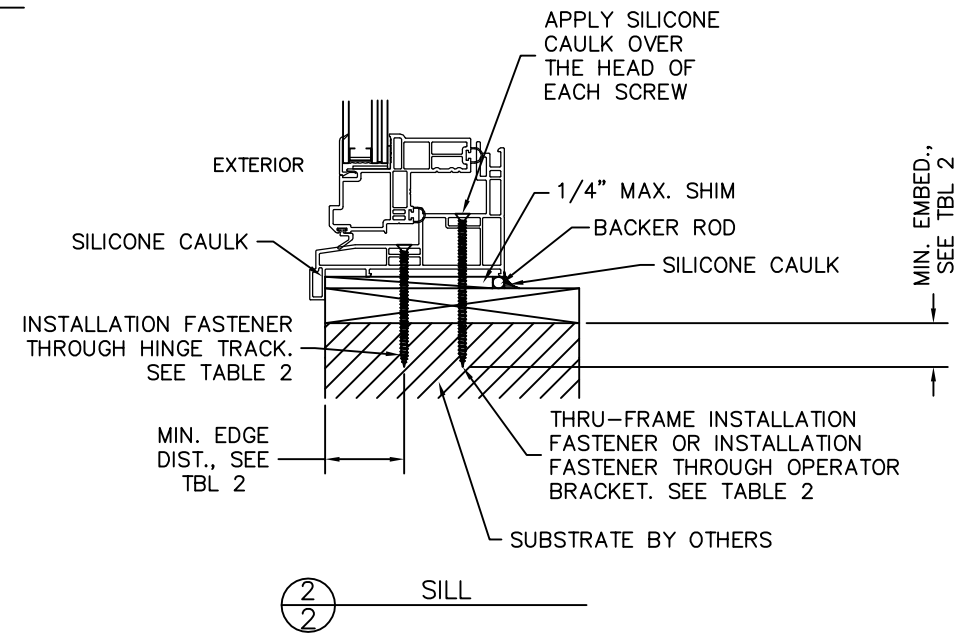
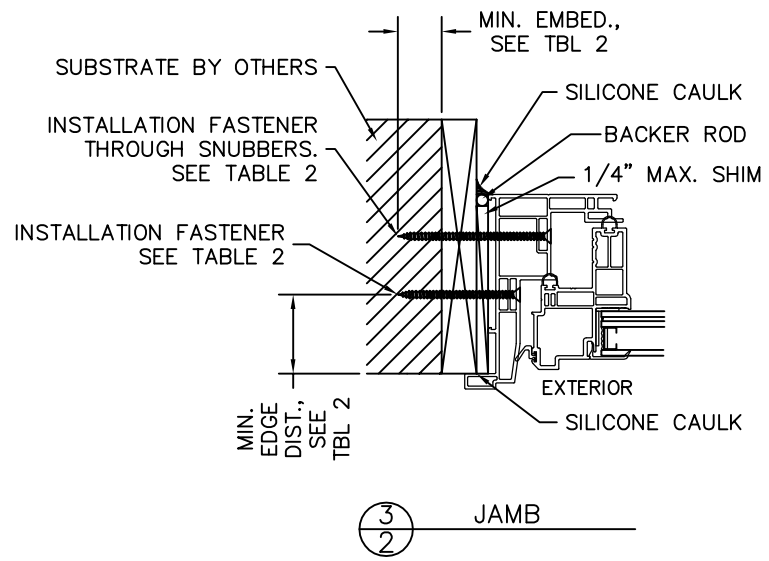


TABLE 2: 1X INSTALLATION FASTENERS TABLE

ID	SUBSTRATE TYPE	ANCHOR TYPE	MIN. EMBED	MIN. EDGE DIST.
A	CONCRETE (2.85 KSI MIN.)	3/16" ELCO ULTRACON	1"	1"
B	HOLLOW OR GROUT-FILLED CMU (ASTM C90)	3/16" ELCO ULTRACON	1-1/4"	2 1/2"
C	1/8" ALUM. 6063-T5 MIN. OR 1/8" STEEL 36 KSI MIN.	MAIN FRAME: #10 GRADE 5 SELF-TAPPING/DRILLING SCREW HARDWARE: #8 GRADE 5 SELF-TAPPING/DRILLING SCREW	SEE NOTE 11	1/2"

**DISCLOSURE STATEMENT**  
 This document is the property of Simonton Windows, which retains all proprietary and other rights to its subject matter. This document is provided to the recipient on the expressed condition that it is not to be disclosed, reproduced in whole or part, nor used in conjunction with the design, manufacture or repair of goods for anyone other than Simonton Windows without its consent. This restriction does not limit the recipient's rights to utilize information contained in this document which is properly obtained from another source.

**MATERIAL:**  
 RMS FINISH:  
 ALLOY & TEMPER:  
 WEIGHT:  
 SURFACE AREA:  
 FINISH TREATMENT:

**Dimensional Tolerances Unless Otherwise Specified**  
 Decimals Angles  
 .X ± .03  
 .XX ± .01  
 .XXX ± .005

**SIMONTON WINDOWS**  
 1 Cochrane Avenue  
 Pennsboro, WV 26415

SIZE: DRAWING NO.: REV.:  
 B IN0547 3  
 DRAWN BY: DATE:  
 T.D.D. 04/25/12  
 CHECKED BY: DATE:  
 APPR'VD BY: DATE:

SCALE: FIT SHEET: 2 of 2  
 SERIES: 42-19 IMPACT RESISTANT CASEMENT WINDOW  
 TITLE: ELEVATION, 1X INSTALLATION, 1X ANCHOR TABLE

FILE: IN0547