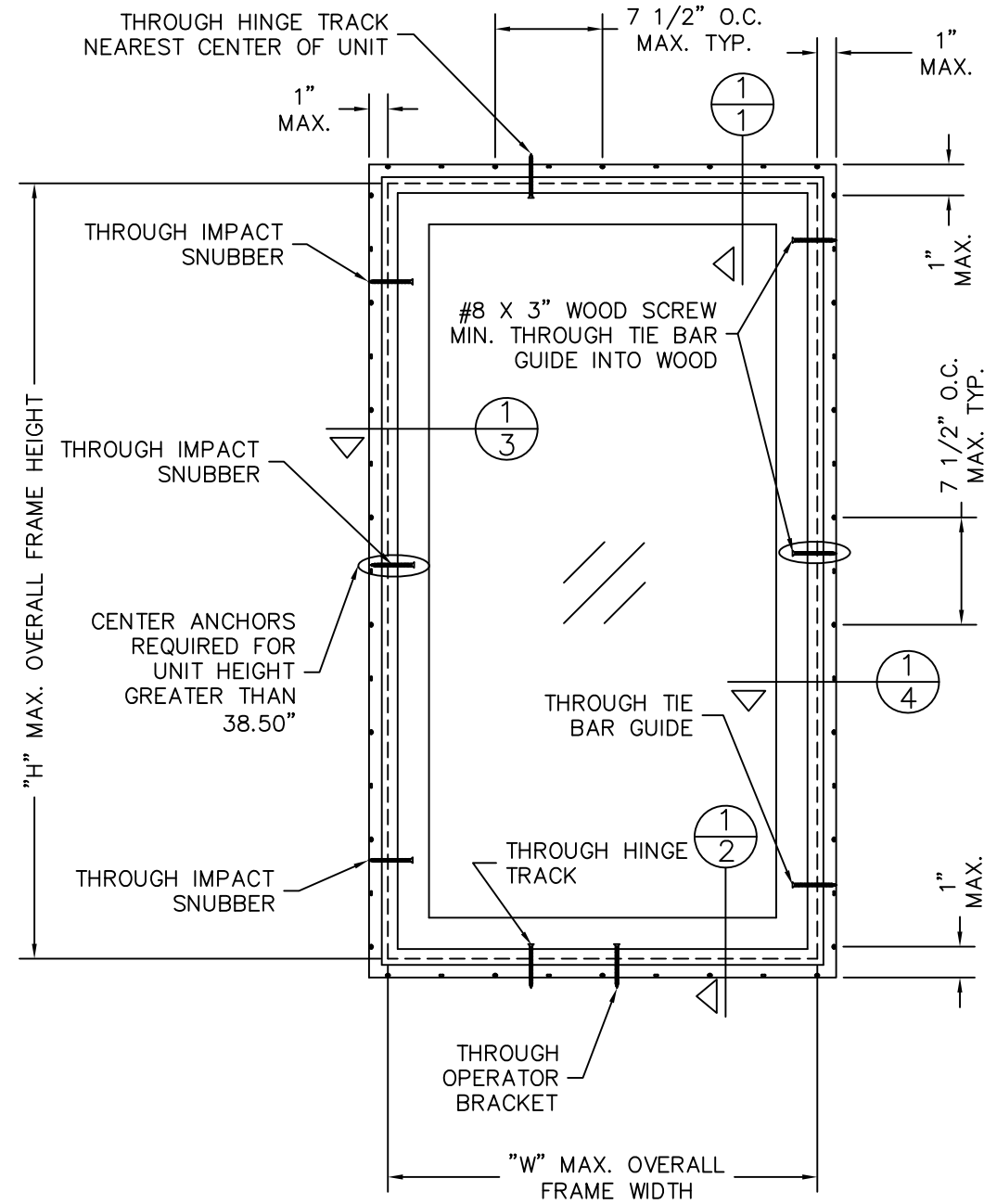


MODEL DESIGNATION: Simonton Casement Series 08-20 Vinyl Impact Window
MAXIMUM OVERALL NOMINAL SIZE: See Size Chart
DESIGN PRESSURE RATING: See Size Chart
USABLE CONFIGURATIONS: X

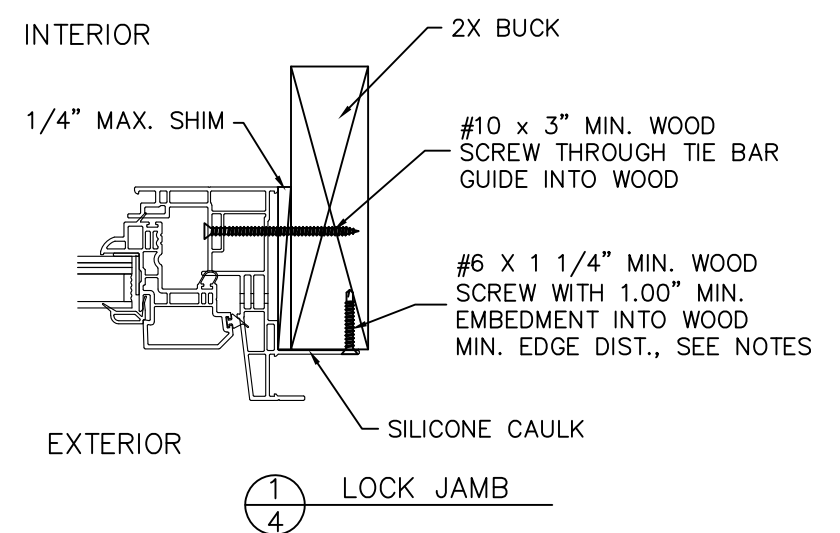
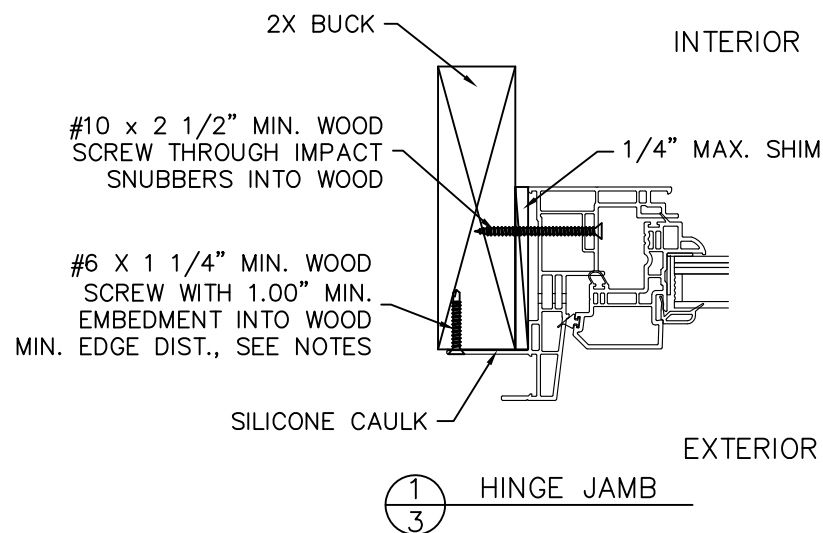
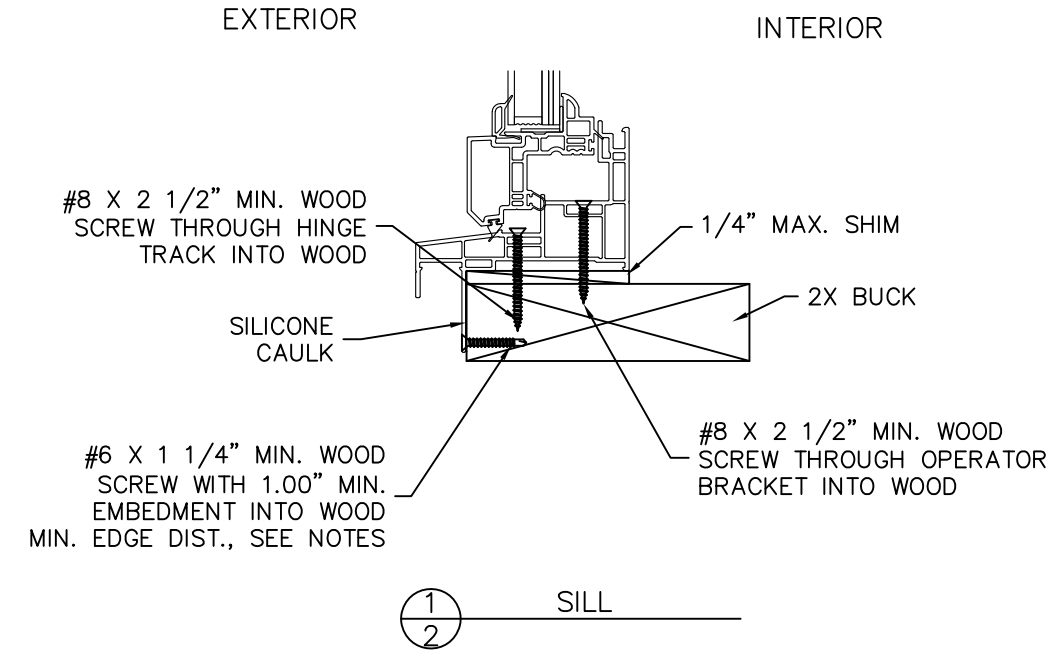
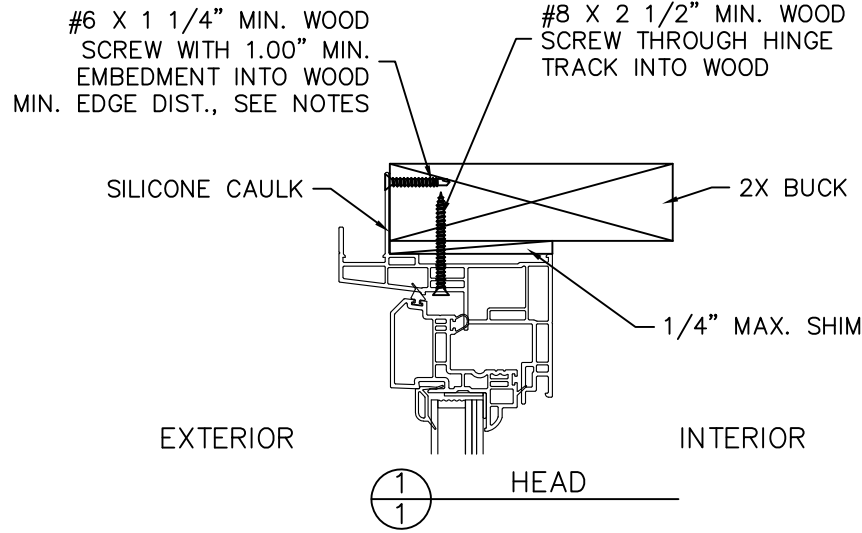
NO P.E. SEAL REQUIRED
 INSTALLATION SUPPORTED
 BY AAMA TEST REPORTS

REV. #	REVISIONS:	REVISED BY:	DATE:
1	UPDATED GLAZING DETAILS AND ANCHOR INFORMATION PER NEW TESTING.	T.D.D.	04/25/11
2	ADDED NOTE 10.	T.D.D.	01/06/12
3	ADDED MIN EDGE DIST. NOTE.	B.J.S.	06/17/15
4	ADDED NOTES 11 & 12 AND ADDED ANNEALED TO LAMI IG.	LMH	02/16/16
5	ADDED NOTE TO CENTER ANCHOR.	LMH	05/30/19

GENERAL DESCRIPTION: The head, sill, and side jambs are extruded PVC. The wall thickness through which the anchor screw penetrates is a minimum of 0.070".



SIZE CHART		
OVERALL SIZE		DP RATING
WIDTH "W"	HEIGHT "H"	
30"	65"	±55.0 PSF
36"	50"	



DISCLOSURE STATEMENT
 This document is the property of Simonton Windows, which retains all proprietary and other rights to its subject matter. This document is provided to the recipient on the expressed condition that it is not to be disclosed, reproduced in whole or part, nor used in conjunction with the design, manufacture or repair of goods for anyone other than Simonton Windows without its consent. This restriction does not limit the recipient's rights to utilize information contained in this document which is properly obtained from another source.

FILE: FL 224

MATERIAL:
 RMS FINISH:
 ALLOY & TEMPER:
 WEIGHT:
 SURFACE AREA:
 FINISH TREATMENT:

Dimensional Tolerances Unless Otherwise Specified
 Decimals Angles
 .X ± .03
 .XX ± .01
 .XXX ± .005
 0° 30 min.

SIMONTON
 WINDOWS
 1 Cochrane Avenue
 Pennsboro, WV 26415

SIZE: DRAWING NO.:
 B IN0515
 REV: 5

DRAWN BY: T.D.D. DATE: 07/20/10
 CHECKED BY: DATE:

SCALE: FIT SHEET: 1 of 2 APPR'VD BY: DATE:

SERIES: 08-20 IMPACT CASEMENT (LEFT/RIGHT HINGE)
 TITLE: 2X BUCK INSTALLATION (AS TESTED)

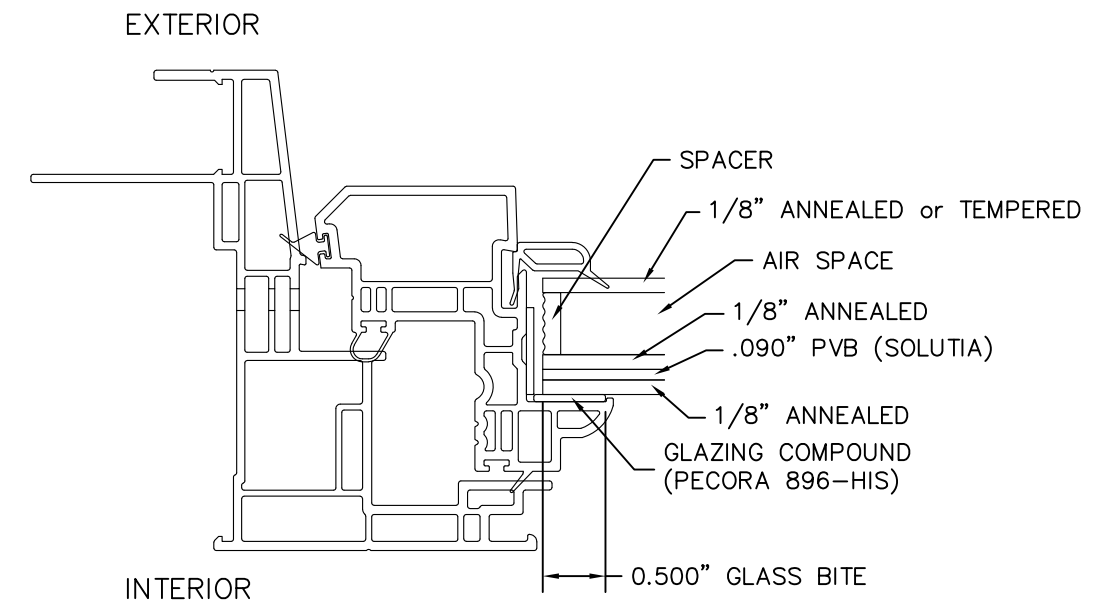
MODEL DESIGNATION: Simonton Casement Series 08-20 Vinyl Impact Window
MAXIMUM OVERALL NOMINAL SIZE: See Size Chart
DESIGN PRESSURE RATING: See Size Chart
USABLE CONFIGURATIONS: X

GENERAL DESCRIPTION: The head, sill, and side jambs are extruded PVC. The wall thickness through which the anchor screw penetrates is a minimum of 0.070".

REV. #:	REVISIONS:	REVISED BY:	DATE:
1	UPDATED GLAZING DETAILS AND ANCHOR INFORMATION PER NEW TESTING.	T.D.D.	04/25/11
2	ADDED NOTE 10.	T.D.D.	01/06/12
3	ADDED MIN. EDGE DIST. NOTE.	B.J.S.	06/17/15
4	ADDED NOTES 11 & 12 AND ADDED ANNEALED TO LAMI IG.	LMH	02/16/16
5	ADDED NOTE TO CENTER ANCHOR.	LMH	05/30/19

NOTES:

1. THIS INSTALLATION HAS BEEN EVALUATED FOR USE IN LOCATIONS ADHERING TO THE FLORIDA BUILDING CODE AND WHERE DESIGN PRESSURE REQUIREMENTS AS DETERMINED BY ASCE 7 MINIMUM DESIGN LOADS FOR BUILDINGS AND OTHER STRUCTURES DO NOT EXCEED THE DESIGN PRESSURE RATINGS LISTED HEREIN.
2. ALL EXTERIOR PERIMETER SURFACES OF THE WINDOW MUST BE CAULKED. INTERIOR CAULKING IS OPTIONAL UNLESS NOTED OTHERWISE.
3. ANCHORS SHALL BE SPECIFIED AND SPACED AS SHOWN. ANCHOR EMBEDMENT INTO BASE MATERIAL SHALL BE BEYOND WALL DRESSING OR STUCCO AND INTO WOOD OR CONCRETE.
4. WOOD BUCKS (BY OTHERS) MUST BE ENGINEERED AND ANCHORED PROPERLY TO TRANSFER LOADS TO THE STRUCTURE.
5. THE RESPONSIBILITY FOR SELECTION OF SIMONTON PRODUCTS TO MEET ANY APPLICABLE LOCAL LAWS, BUILDING CODES, ORDINANCES, OR OTHER SAFETY REQUIREMENTS RESTS SOLELY WITH THE ARCHITECT, BUILDING OWNER, OR CONTRACTOR.
6. SHIMS ARE OPTIONAL. MAX. SHIM STACK IS 1/4".
7. INSTALLATION SCREWS MUST BE A MINIMUM OF 3/4" FROM THE EDGE OF THE WOOD.
8. WHEN USED IN AREAS REQUIRING IMPACT PROTECTION, THIS PRODUCT DOES NOT REQUIRE THE USE OF IMPACT RESISTANT SHUTTERS OR OTHER EXTERNAL PROTECTION.
9. FLASHING SHOULD BE APPLIED USING THE ASTM E 2112 METHODOLOGY APPROPRIATE FOR THE OPENING INTO WHICH THE WINDOW IS BEING INSTALLED.
10. THIS PRODUCT COMPLIES WITH ASTM E 1300-04.
11. USE 100% PURE SILICONE CAULK COMPLIANT WITH AAMA 800 SECTION I - SEALANT SPECIFICATIONS FOR USE WITH ARCHITECTURAL FENESTRATION PRODUCTS.
12. USE A BACKER ROD ON ALL JOINTS >3/4" DEEP AND/OR WIDER THAN 1/4". FINISHED CAULK JOINT SHOULD BE A MINIMUM OF 3/8" DEEP.



1" INSULATED TEMPERED/ANNEALED IMPACT GLASS WITH 0.090" PVB INTERLAYER

<p align="center">DISCLOSURE STATEMENT</p> <p>This document is the property of Simonton Windows, which retains all proprietary and other rights to its subject matter. This document is provided to the recipient on the expressed condition that it is not to be disclosed, reproduced in whole or part, nor used in conjunction with the design, manufacture or repair of goods for anyone other than Simonton Windows without its consent. This restriction does not limit the recipient's rights to utilize information contained in this document which is properly obtained from another source.</p>	MATERIAL:		<p align="center">Dimensional Tolerances Unless Otherwise Specified</p> <p>Decimals Angles</p> <p>.X ± .03 0° 30 min.</p> <p>.XX ± .01</p> <p>.XXX ± .005</p>	<p>1 Cochrane Avenue Pennsboro, WV 26415</p>	SIZE: DRAWING NO.: REV.:
	RMS FINISH:	EXCEPT AS NOTED			B IN0515 5
	ALLOY & TEMPER:				DRAWN BY: DATE:
	WEIGHT: VOLUME:				T.D.D. 07/20/10
	SURFACE AREA: PERIMETER:				CHECKED BY: DATE:
FINISH TREATMENT:		APPR'VD BY: DATE:			
FILE: FL 224			SCALE: FIT SHEET: 2 of 2	SERIES: 08-20 IMPACT CASEMENT (LEFT/RIGHT HINGE)	TITLE: NOTES AND GLAZING DETAILS