



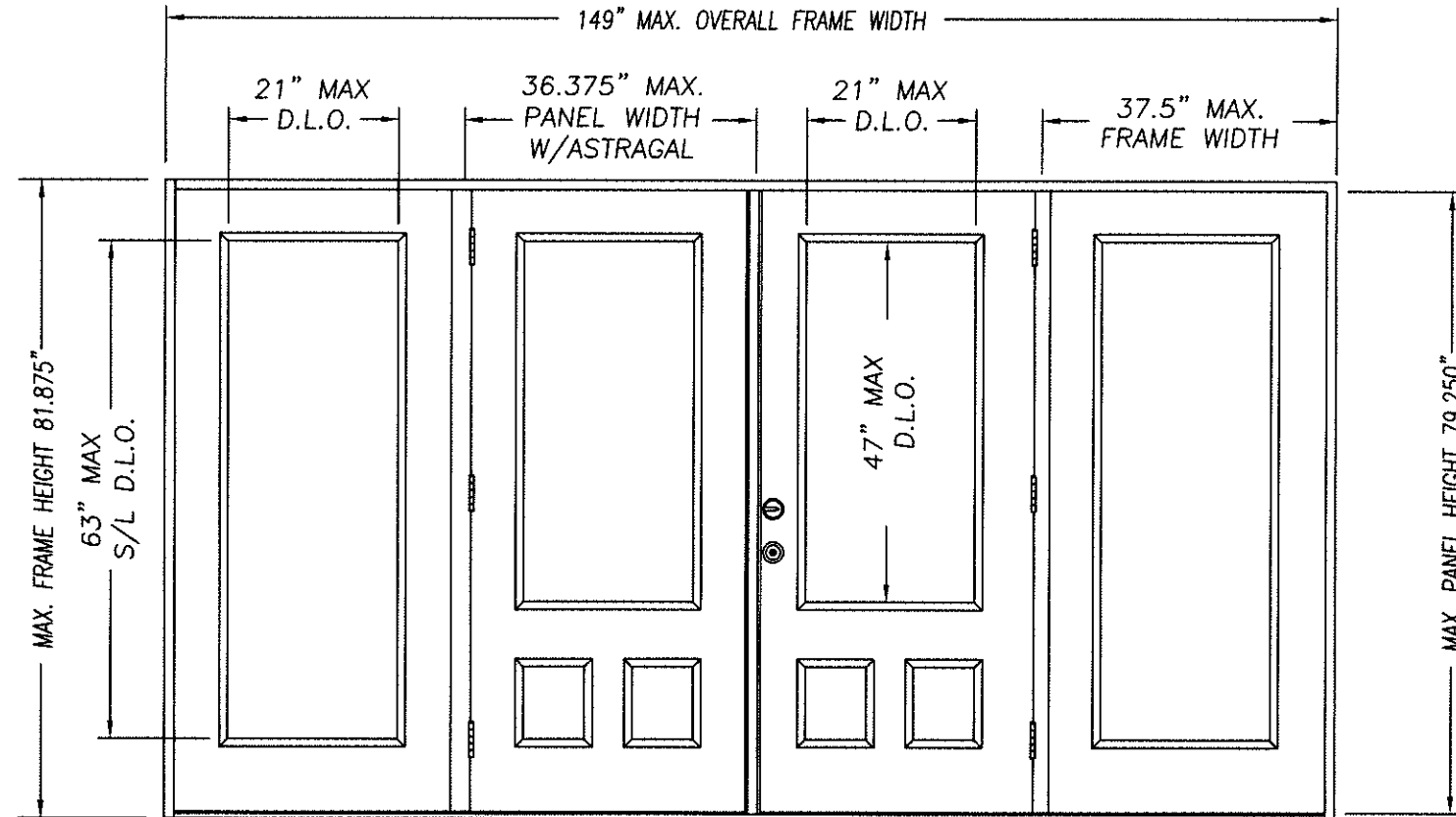
**3/4-LITE WOOD-EDGE STEEL DOOR UNIT
6'-8" DOUBLE DOOR WITH / WITHOUT SIDELITES**

GENERAL NOTES

- EVALUATED FOR USE IN LOCATIONS ADHERING TO THE FLORIDA BUILDING CODE AND WHERE PRESSURE REQUIREMENTS AS DETERMINED BY ASCE 7, MINIMUM DESIGN LOADS FOR BUILDINGS AND OTHER STRUCTURES, DOES NOT EXCEED THE DESIGN PRESSURES LISTED.
- WHEN INSTALLED IN THE HIGH VELOCITY HURRICANE ZONE (HVHZ), HURRICANE PROTECTIVE SYSTEM (SHUTTERS) IS REQUIRED.
- WHEN INSTALLED IN THE WIND-BORNE DEBRIS REGION, HURRICANE PROTECTIVE SYSTEM (SHUTTERS) IS REQUIRED.
- POLYURETHANE CORE FLAME SPREAD INDEX OF 50 AND SMOKE DEVELOPED INDEX OF 60 PER ASTM E84.
- PLASTICS TESTING:

TEST DESCRIPTION	DESIGNATION	LITE FRAME
SELF IGNITION TEMP	ASTM D1929	842 °F > 650 °F
RATE OF BURNING	ASTM D635	1.28 IN/MIN
SMOKE DENSITY	ASTM D2843	70.2%
TENSILE STRENGTH*	ASTM D638	1.8% DIFF

* COMPARATIVE TENSILE STRENGTH AFTER WEATHERING 4500 HOURS XENON ARC METHOD 1



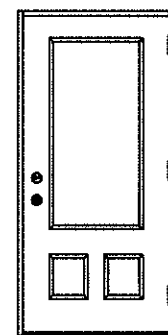
DOUBLE DOOR UNIT W/SIDELITES

Addendum to NAMI

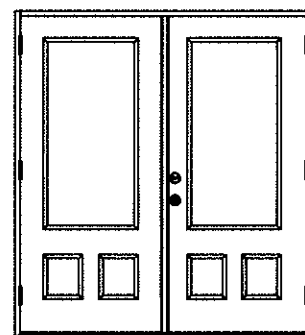
Certification No.: NE013747

Reviewed By: [Signature]

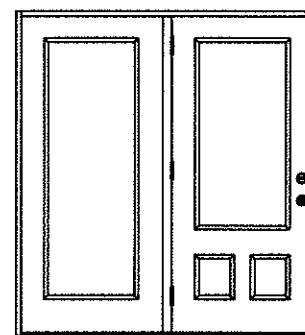
Date Reviewed: 6/5/17



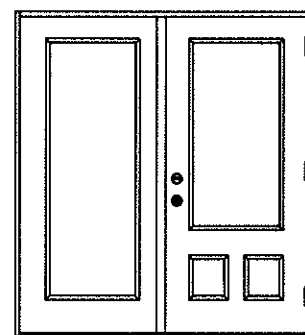
SINGLE DOOR UNIT



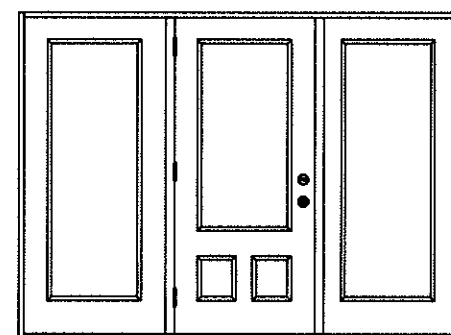
DOUBLE DOOR UNIT



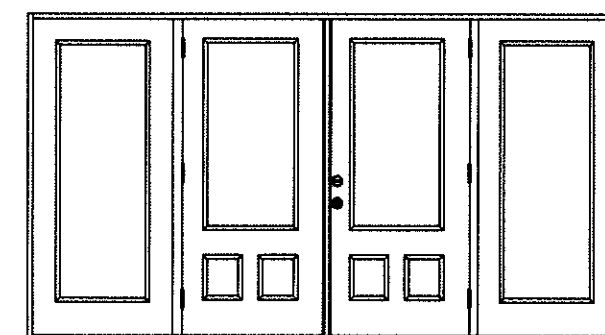
SINGLE DOOR UNIT WITH SIDELITE



SINGLE DOOR UNIT WITH SIDELITE



SINGLE DOOR UNIT W/SIDELITES



DOUBLE DOOR UNIT W/SIDELITES

TABLE OF CONTENTS

SHEET #	DESCRIPTION
1	TYPICAL ELEVATIONS & GENERAL NOTES
2	ANCHORING LOCATIONS & DETAILS
3	ANCHORING LOCATIONS & DETAILS

CONFIG	MAX WIDTH	DESIGN PRESSURE RATING		WHERE WATER INFILTRATION PERFORMANCE IS REQUIRED TO BE 15% OF DESIGN PRESSURE			
		INSWING	OUTSWING	INSWING	BUMPER O/S	Z-SERIES O/S	HIGH DAM O/S
X	37.5"	+50.0 / -50.0	+50.0 / -50.0	N/A	+20.0 / -20.0	+30.0 / -30.0	+50.0 / -50.0
XX	74"	+50.0 / -50.0	+50.0 / -50.0	N/A	+20.0 / -20.0	+30.0 / -30.0	+50.0 / -50.0
OX or XO	75"	+50.0 / -50.0	+50.0 / -50.0	N/A	+20.0 / -20.0	+30.0 / -30.0	+50.0 / -50.0
OXO	112.5"	+50.0 / -50.0	+50.0 / -50.0	N/A	+20.0 / -20.0	+30.0 / -30.0	+50.0 / -50.0
OXXO	149"	+50.0 / -50.0	+50.0 / -50.0	N/A	+20.0 / -20.0	+30.0 / -30.0	+50.0 / -50.0

[Signature]

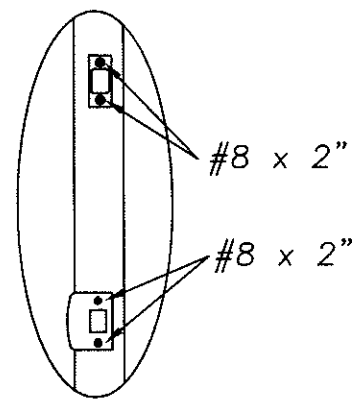
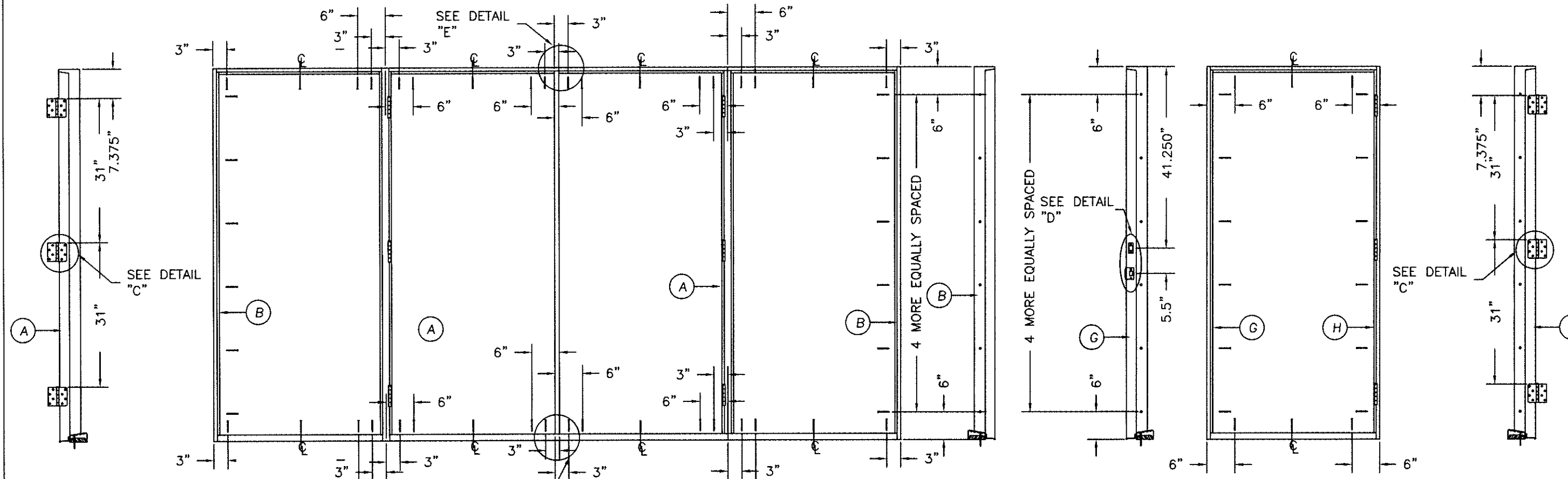
KURT BALTHAZOR
FLORIDA P.E.
#56533

MASONITE INTERNATIONAL CORP.
1955 POWIS ROAD
WEST CHICAGO, IL 60185

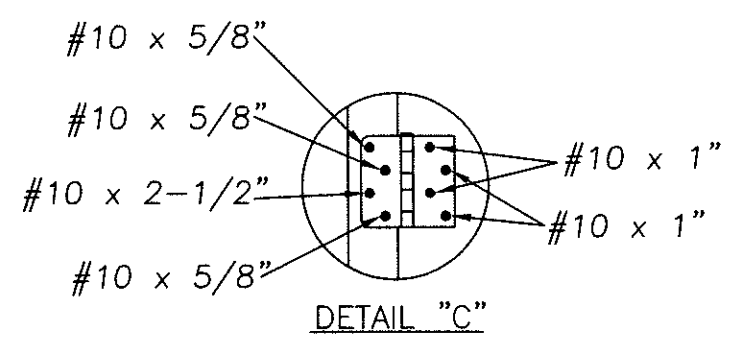
PRODUCT:
"EXTERIOR DOOR PRODUCT"
DOUBLE 6'8" GLAZED
WOOD-EDGE STEEL DOOR
PART OR ASSEMBLY:
TYPICAL ELEVATIONS
& GENERAL NOTES

NO.	DATE	REVISIONS	BY

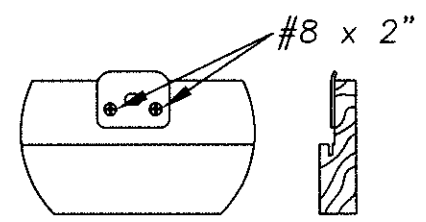
DATE: 5/26/17
SCALE: N.T.S.
DWG. BY: SWS
CHK. BY:
DRAWING NO.:
DWG-MA-FL0214-17
SHEET 1 OF 3



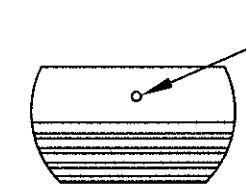
DETAIL "D"



DETAIL "C"

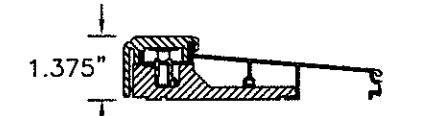


DETAIL "E" ASTRAGAL
 ATTACH ASTRAGAL RETAINER BOLT STRIKE PLATE TO FRAME AS SHOWN.

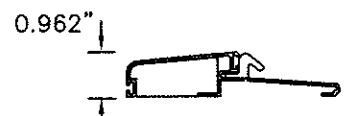


DETAIL "F" ASTRAGAL

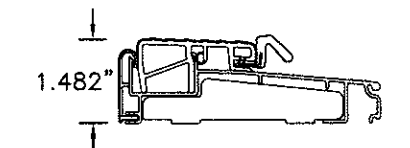
ASTRAGAL RETAINER BOLT HOLE MUST BE DRILLED THROUGH THE THRESHOLD & INTO THE STRUCTURE DEEP ENOUGH FOR A 1.375" THROW



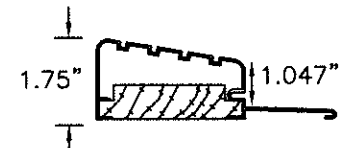
INSWING THRESHOLD



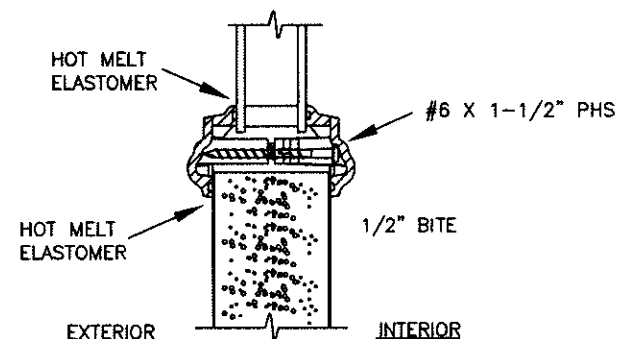
BUMPER O/S THRESHOLD



Z-SERIES O/S THRESHOLD



HIGH DAM O/S THRESHOLD



TYPICAL GLAZING DETAIL
 NON-IMPACT GLASS

Addendum to NAMI
 Certification No.: NEO13747
 Reviewed By: [Signature]
 Date Reviewed: 6/5/17

PRODUCT:	"EXTERIOR DOOR PRODUCT" 6"-8" WOOD-EDGE STEEL GLAZED DOUBLE DOOR UNIT
PART OR ASSEMBLY:	ANCHORING LOCATIONS & DETAILS

NO.	DATE	REVISIONS	BY

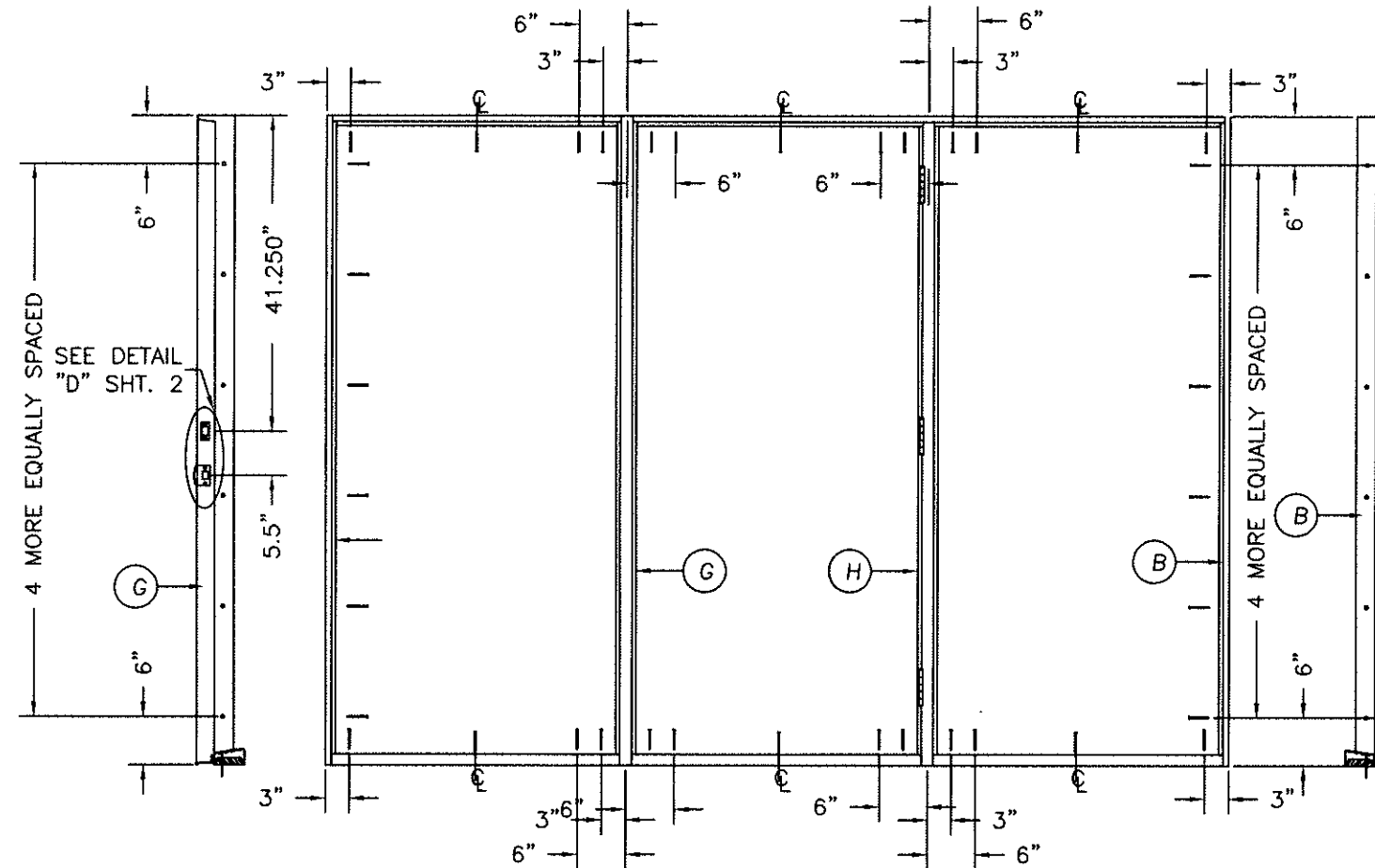
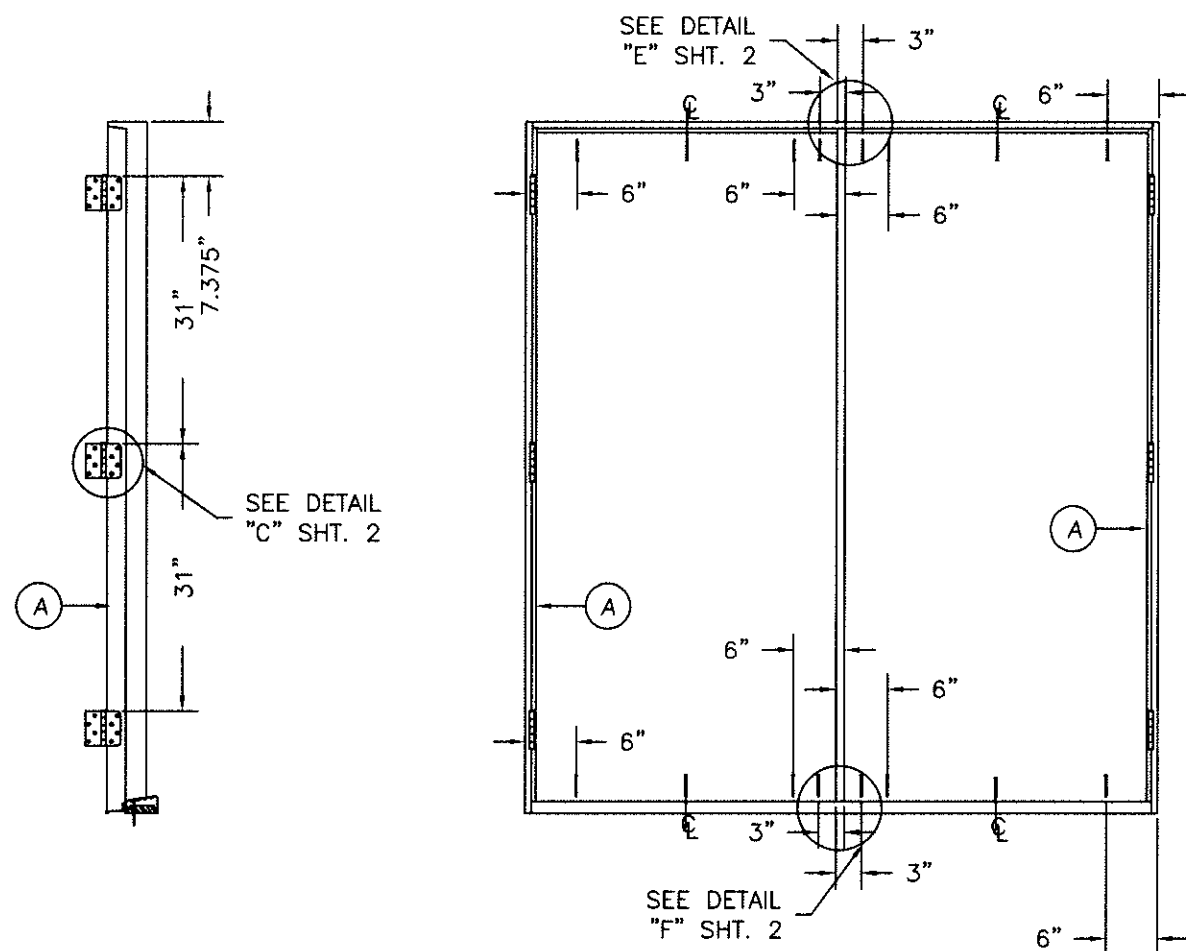
DATE:	5/26/17
SCALE:	N.T.S.
DWG. BY:	SWS
CHK. BY:	
DRAWING NO.:	
DWG-MA-FL0214-17	
SHEET	2 OF 3

PRODUCT:
 "EXTERIOR DOOR PRODUCT"
 6"-8" WOOD-EDGE STEEL GLAZED
 DOUBLE DOOR UNIT

PART OR ASSEMBLY:
 ANCHORING LOCATIONS
 & DETAILS

NO.	DATE	REVISIONS	BY

DATE: 5/26/17
 SCALE: N.T.S.
 DWG. BY: SWS
 CHK. BY:
 DRAWING NO.:
 DWG-MA-FL0214-17
 SHEET 3 OF 3

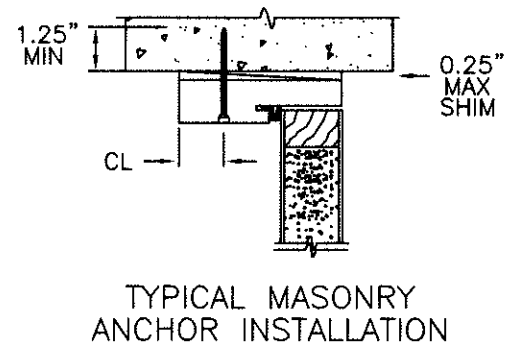


HARDWARE SCHEDULE

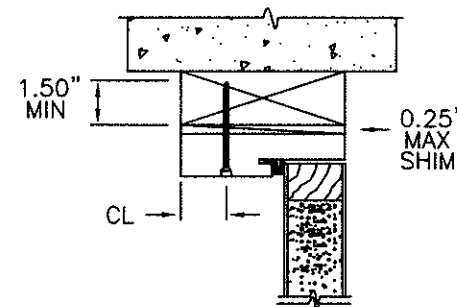
1. KWIKSET SERIES 400 GRADE 3 CYLINDRICAL LATCH AND SERIES 980 GRADE 1 DEADLOCK HARDWARE TO BE INSTALLED AT 5-1/2" CENTERLINE.
2. 4" X 4" FULL MORTISE BUTT HINGES.

ATTACHMENT DETAIL

1. ANCHOR ANALYSIS FOR LOADING CONDITIONS PREPARED, SIGNED AND SEALED BY ROBERTO LOMAS, PE (FLORIDA #62514) WITH THE LOWEST (LEAST) FASTENER RATING FROM THE DIFFERENT FASTENERS BEING CONSIDERED FOR USE. JAMB, HEAD, AND THRESHOLD FASTENERS ANALYZED FOR THIS UNIT INCLUDE #10 WOOD SCREWS OR 1/4" TAPCONS. A PHYSICAL SHIM MUST BE PLACED IN SHIM SPACE AT EACH ANCHOR LOCATION. TAPCON EDGE DISTANCE MIN 2-1/2". WOOD SCREW EDGE DISTANCE MIN 3/4".
2. THE WOOD SCREW SINGLE SHEAR DESIGN VALUES COME FROM ANSI/AF&PA NDA FOR SOUTHERN PINE LUMBER AND ACHIEVEMENT OF 1-1/2" MINIMUM EMBEDMENT. THE TAPCON MUST ACHIEVE MINIMUM EMBEDMENT OF 1-1/4".
3. WOOD BUCKS BY OTHERS MUST BE ANCHORED PROPERLY TO TRANSFER LOADS TO STRUCTURE.
4. MINIMUM DESIGN VALUE STRENGTH OF ANCHORS 155 LBS.

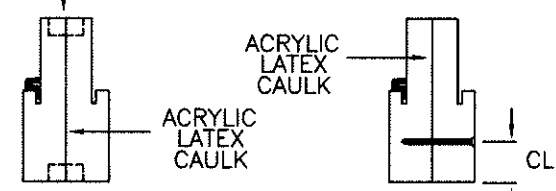


TYPICAL MASONRY ANCHOR INSTALLATION



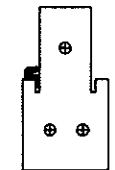
TYPICAL WOOD BUCK ANCHOR INSTALLATION

1"X1/2" CORRUGATED 3" FROM EACH END AND 7" OC
 #10X2" WOOD SCREW 6" FROM EACH END AND 12" OC



COMBINATION WOOD MULLION (BOXED) COMBINATION WOOD MULLION (BOXED)

(3) #10X2-1/2" WOOD SCREWS EACH END



INTEGRAL WOOD MULLION (CHS)

Addendum to NAMI

Certification No.: N1013747
 Reviewed By: [Signature]
 Date Reviewed: 6/5/17