



**3/4-LITE WOOD-EDGE STEEL DOOR UNIT
8'-0" DOUBLE DOOR WITH / WITHOUT SIDELITES**

GENERAL NOTES

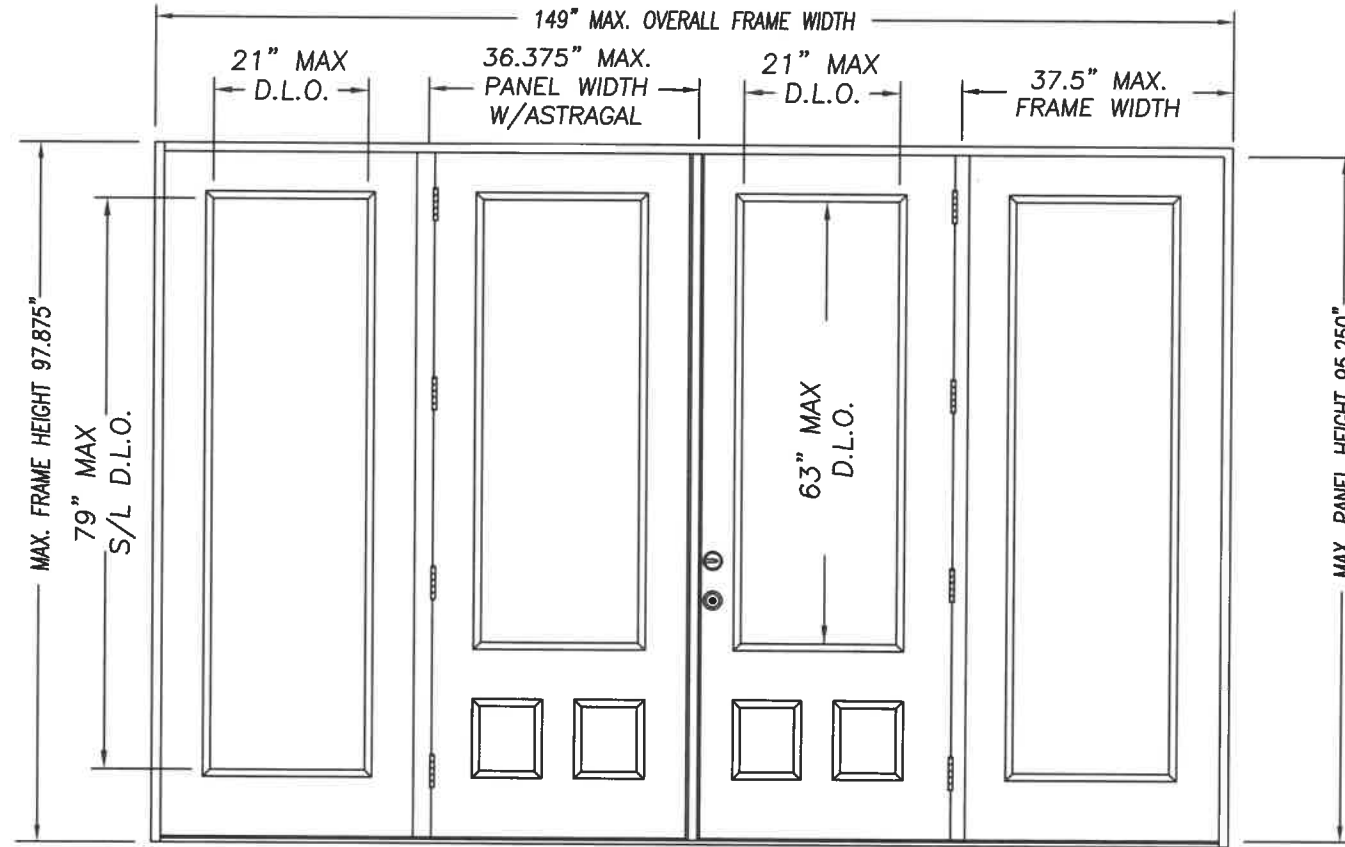
- EVALUATED FOR USE IN LOCATIONS ADHERING TO THE FLORIDA BUILDING CODE AND WHERE PRESSURE REQUIREMENTS AS DETERMINED BY ASCE 7, MINIMUM DESIGN LOADS FOR BUILDINGS AND OTHER STRUCTURES, DOES NOT EXCEED THE DESIGN PRESSURES LISTED.
- WHEN INSTALLED IN THE HIGH VELOCITY HURRICANE ZONE (HVHZ), HURRICANE PROTECTIVE SYSTEM (SHUTTERS) IS REQUIRED.
- WHEN INSTALLED IN THE WIND-BORNE DEBRIS REGION, HURRICANE PROTECTIVE SYSTEM (SHUTTERS) IS REQUIRED.
- POLYURETHANE CORE FLAME SPREAD INDEX OF 50 AND SMOKE DEVELOPED INDEX OF 60 PER ASTM E84.
- PLASTICS TESTING:

TEST DESCRIPTION	DESIGNATION	LITE FRAME
SELF IGNITION TEMP	ASTM D1929	740 °F > 650 °F
RATE OF BURNING	ASTM D635	0.77 IN/MIN
SMOKE DENSITY	ASTM D2843	13.4%
TENSILE STRENGTH*	ASTM D638	7.1% DIFF

* COMPARATIVE TENSILE STRENGTH AFTER WEATHERING
4500 HOURS XENON ARC METHOD 1

Addendum to NAM

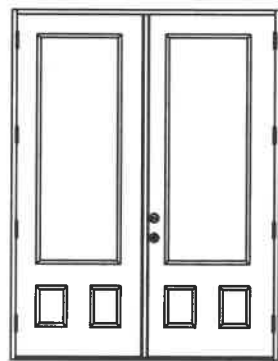
Certification No.: NE013747
Reviewed By: [Signature]
Date Reviewed: 7/27/20



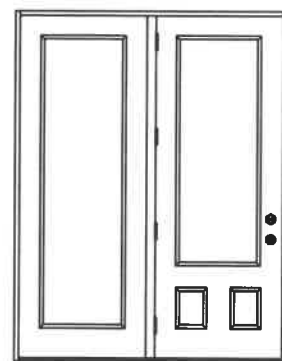
DOUBLE DOOR UNIT W/SIDELITES



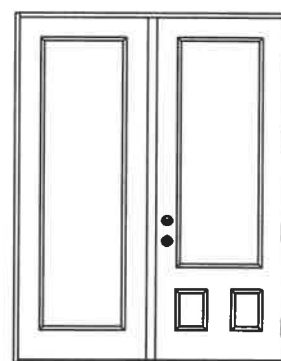
SINGLE DOOR UNIT



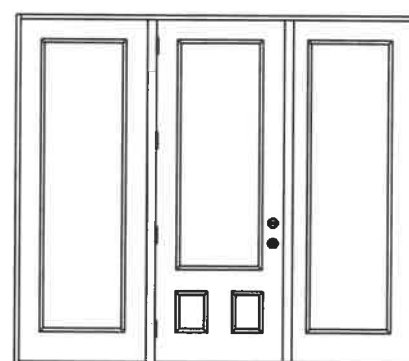
DOUBLE DOOR UNIT



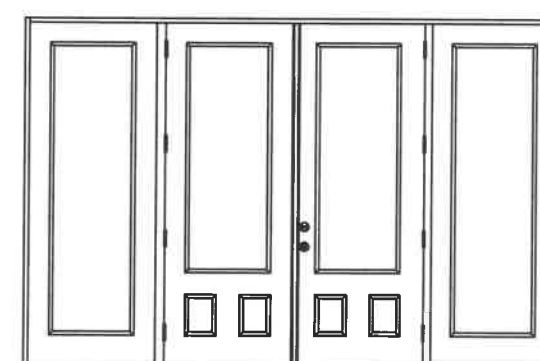
SINGLE DOOR UNIT
WITH SIDELITE



SINGLE DOOR UNIT
WITH SIDELITE



SINGLE DOOR UNIT W/SIDELITES



DOUBLE DOOR UNIT W/SIDELITES

SHEET #	DESCRIPTION
1	TYPICAL ELEVATIONS & GENERAL NOTES
2	ANCHORING LOCATIONS & DETAILS
3	ANCHORING LOCATIONS & DETAILS

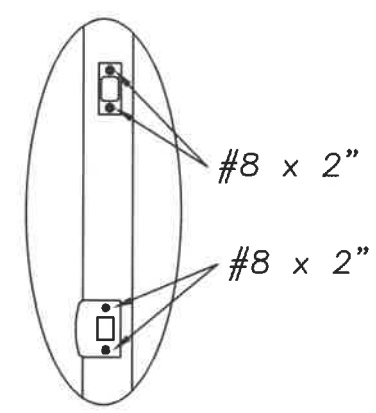
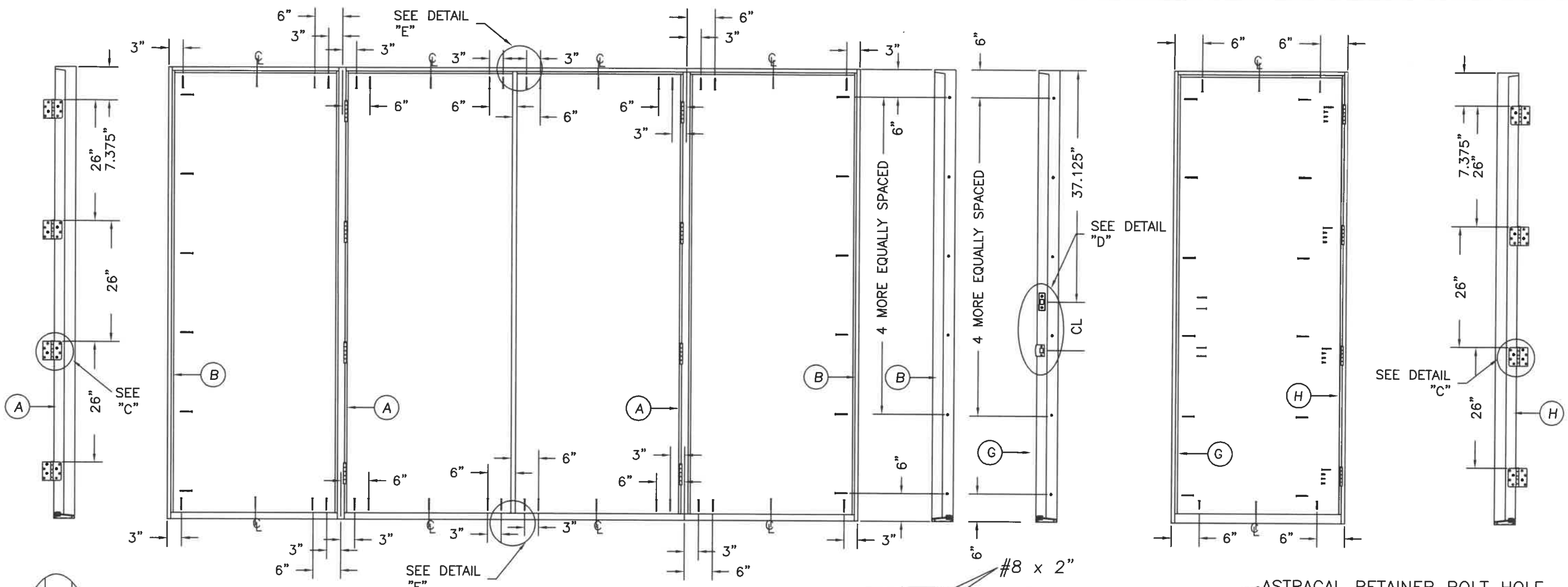
CONFIG	MAX WIDTH	DESIGN PRESSURE RATING		WHERE WATER INFILTRATION PERFORMANCE IS REQUIRED TO BE 15% OF DESIGN PRESSURE			
		INSWING	OUTSWING	INSWING	BUMPER O/S	Z-SERIES O/S	HIGH DAM O/S
X	37.5"	+50.0 / -50.0	+50.0 / -50.0	N/A	N/A	N/A	N/A
XX	74"	+50.0 / -50.0	+50.0 / -50.0	N/A	N/A	N/A	N/A
OX or XO	75"	+50.0 / -50.0	+50.0 / -50.0	N/A	N/A	N/A	N/A
OXO	112.5"	+50.0 / -50.0	+50.0 / -50.0	N/A	N/A	N/A	N/A
OXXO	149"	+50.0 / -50.0	+50.0 / -50.0	N/A	N/A	N/A	N/A

[Signature]
KURT BALHAZOR
FLORIDA P.E.
#56533

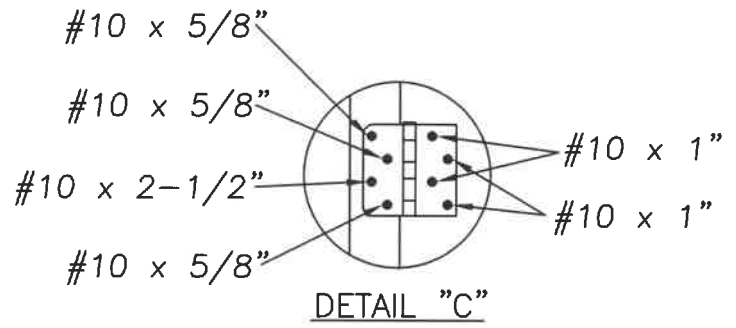
MASONITE INTERNATIONAL CORP.
1955 POWIS ROAD
WEST CHICAGO, IL 60185

PRODUCT:	"EXTERIOR DOOR PRODUCT" DOUBLE 8'0" GLAZED WOOD-EDGE STEEL DOOR
PART OR ASSEMBLY:	TYPICAL ELEVATIONS & GENERAL NOTES
NO.	A
DATE	7/18/20
MISC EDITS	SWS
REVISIONS	BY

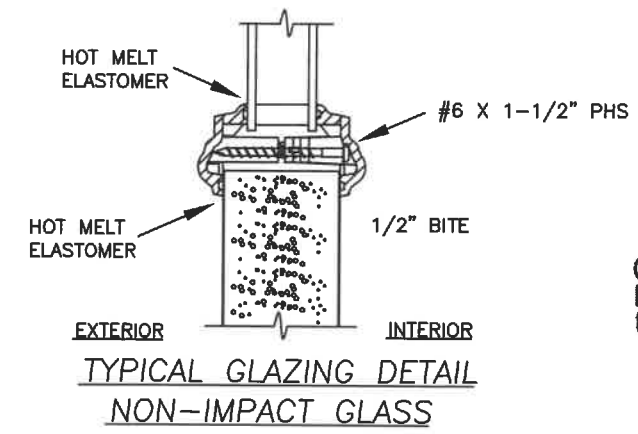
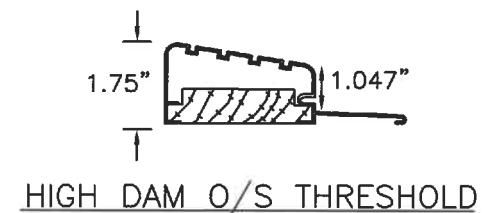
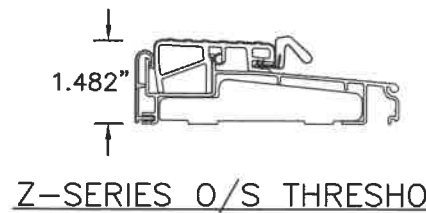
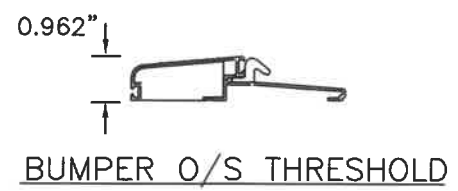
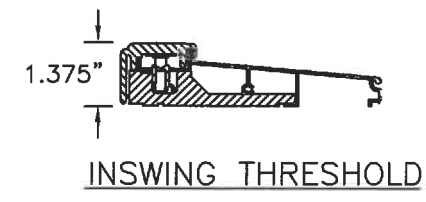
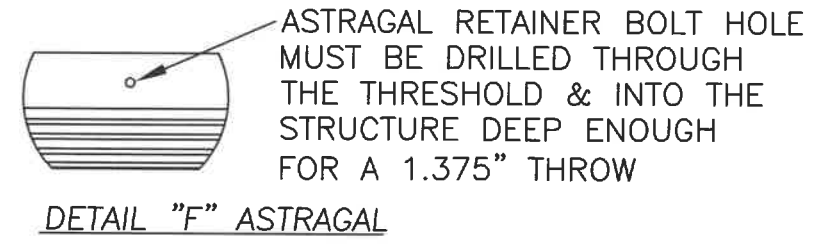
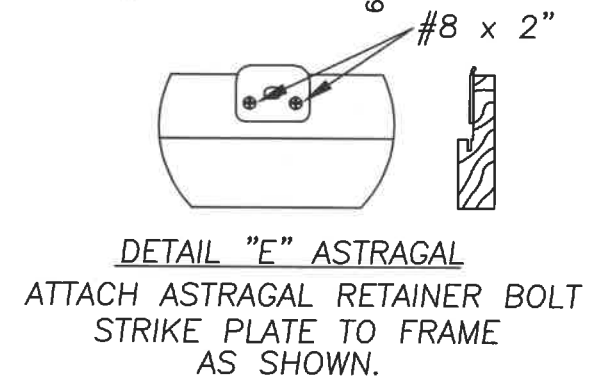
DATE:	5/26/17
SCALE:	N.T.S.
DWG. BY:	SWS
CHK. BY:	
DRAWING NO.:	
DWG-MA-FL0217-17	
SHEET	1 OF 3



DETAIL "D"



DETAIL "C"

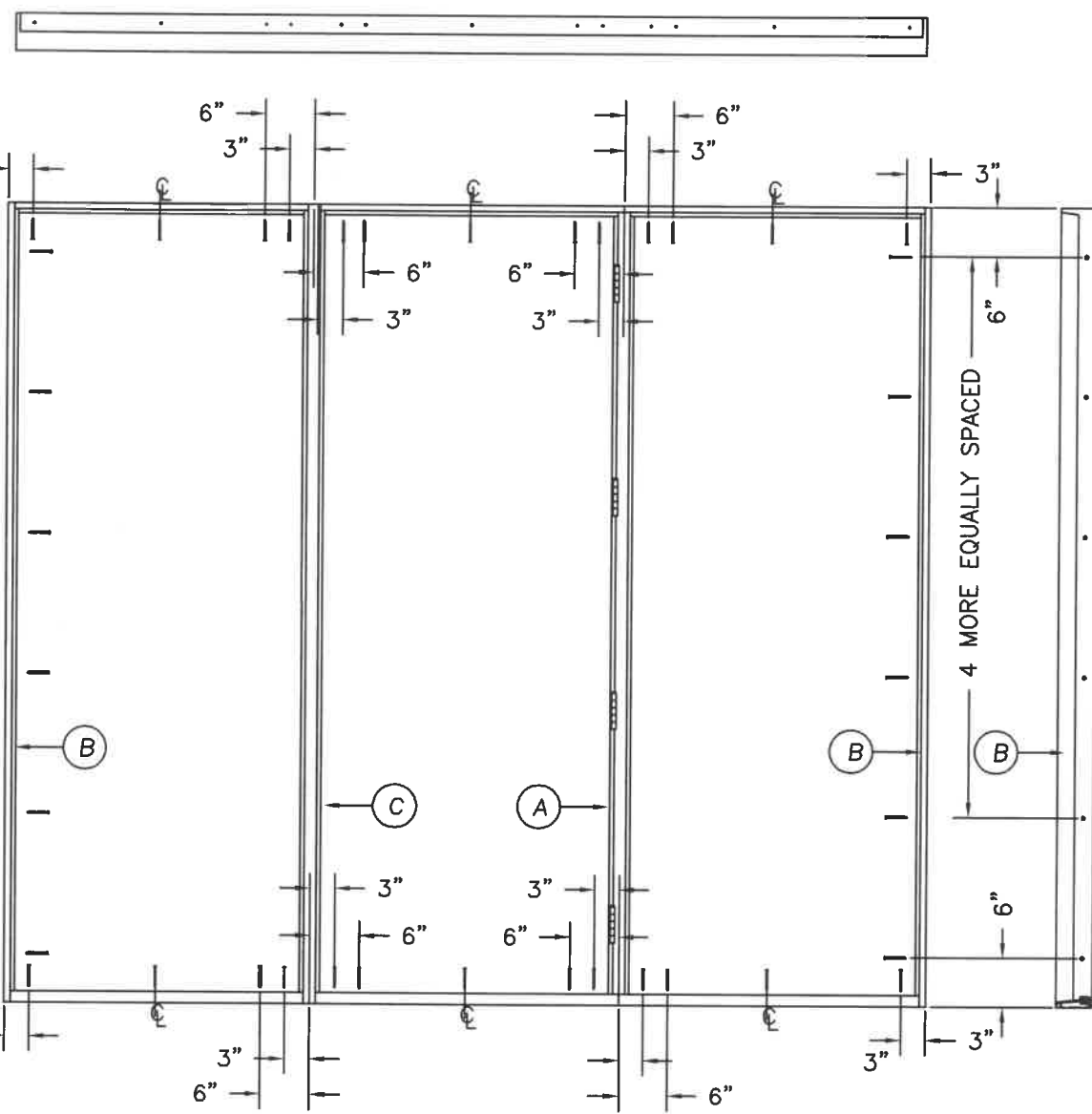
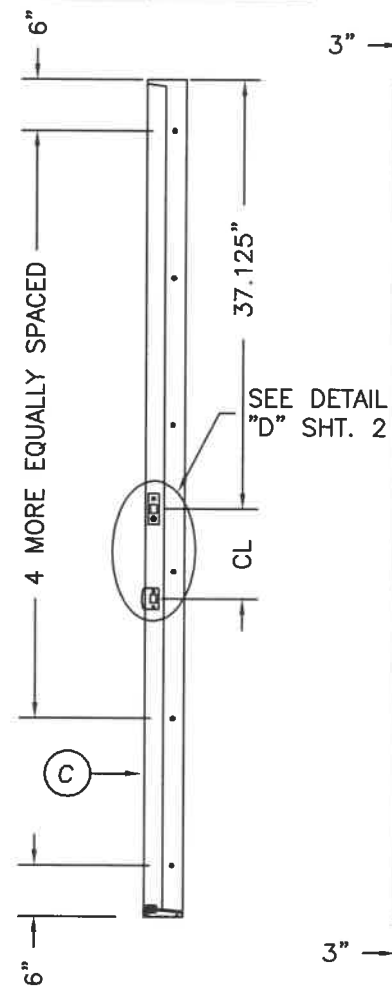
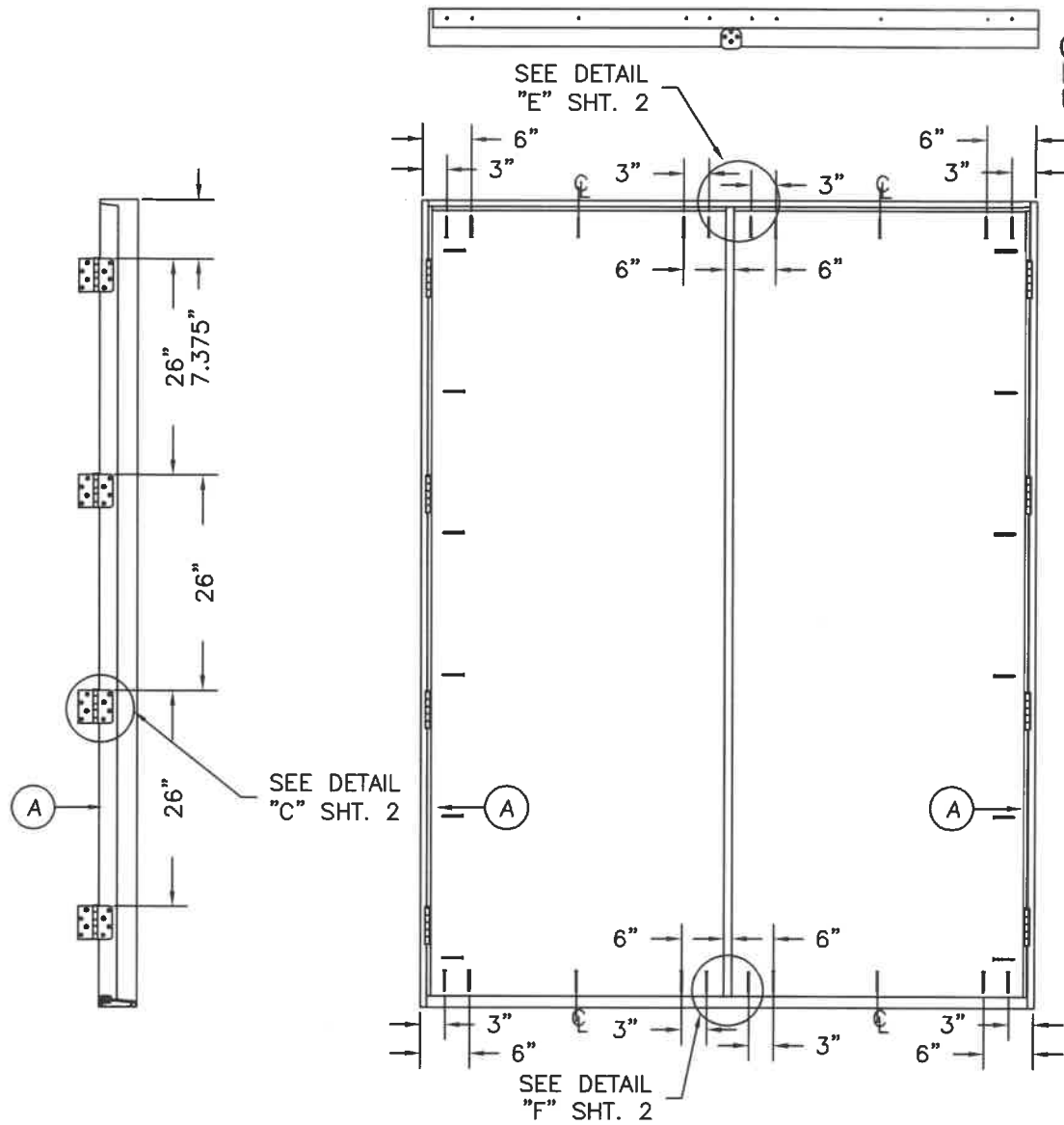


Addendum to MAM
 Certification No.: N1013747
 Reviewed By: *[Signature]*
 Date Reviewed: 7/27/20

MASONITE INTERNATIONAL CORP. 1955 POWIS ROAD WEST CHICAGO, IL 60185	
PRODUCT: "EXTERIOR DOOR PRODUCT" 8'0" WOOD-EDGE STEEL GLAZED DOUBLE DOOR UNIT	PART OR ASSEMBLY: ANCHORING LOCATIONS & DETAILS
NO.	DATE
BY	REVISIONS
DATE: 5/26/17	SCALE: N.T.S.
DWG. BY: SWS	CHK. BY:
DRAWING NO.:	DWG-MA-FLO217-17
SHEET 2 OF 3	

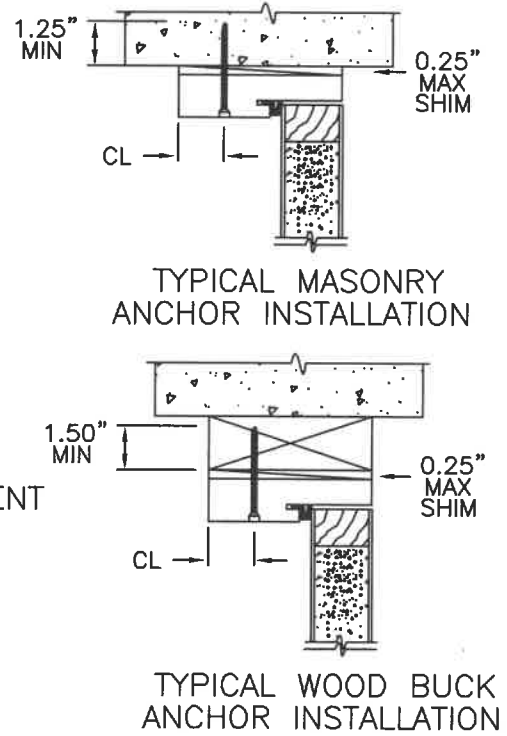
Addendum to NAMI

Certification No.: NID13747
 Reviewed By: [Signature]
 Date Reviewed: 7/27/20



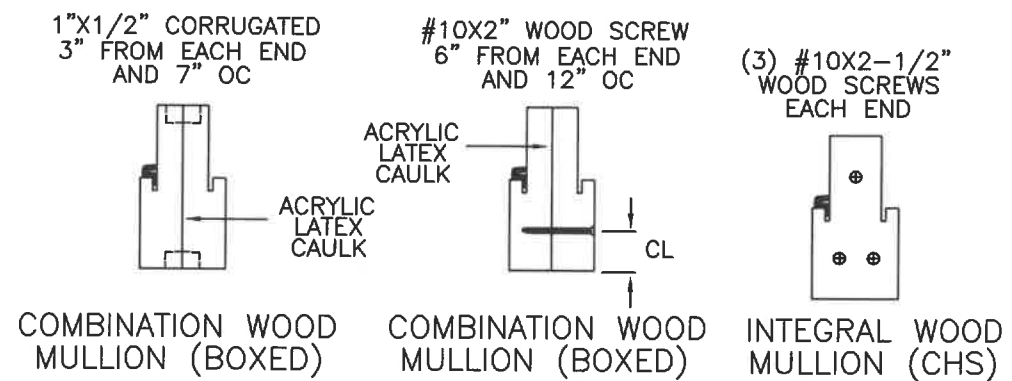
ATTACHMENT DETAIL

1. ANCHOR ANALYSIS FOR LOADING CONDITIONS PREPARED, SIGNED AND SEALED BY LUIS R. LOMAS, PE (FLORIDA #62514) WITH THE LOWEST (LEAST) FASTENER RATING FROM THE DIFFERENT FASTENERS BEING CONSIDERED FOR USE. JAMB, HEAD, AND THRESHOLD FASTENERS ANALYZED FOR THIS UNIT INCLUDE #10 WOOD SCREWS OR 1/4" TAPCONS. A PHYSICAL SHIM MUST BE PLACED IN SHIM SPACE AT EACH ANCHOR LOCATION. TAPCON EDGE DISTANCE MIN 2-1/2". WOOD SCREW EDGE DISTANCE MIN 3/4".
2. THE WOOD SCREW SINGLE SHEAR DESIGN VALUES COME FROM ANSI/AF&PA NDA FOR SOUTHERN PINE LUMBER AND ACHIEVEMENT OF 1-1/2" MINIMUM EMBEDMENT. THE TAPCON MUST ACHIEVE MINIMUM EMBEDMENT OF 1-1/4".
3. WOOD BUCKS BY OTHERS MUST BE ANCHORED PROPERLY TO TRANSFER LOADS TO STRUCTURE.
4. MINIMUM DESIGN VALUE STRENGTH OF ANCHORS 155 LBS.



HARDWARE SCHEDULE

1. KWIKSET SERIES 400 GRADE 3 CYLINDRICAL LATCH AND SERIES 980 GRADE 1 DEADLOCK HARDWARE TO BE INSTALLED AT 10-1/2" CENTERLINE.
2. 4" X 4" FULL MORTISE BUTT HINGES.



PRODUCT:		"EXTERIOR DOOR PRODUCT" 8'0" WOOD-EDGE STEEL GLAZED DOUBLE DOOR UNIT	
PART OR ASSEMBLY:		ANCHORING LOCATIONS & DETAILS	
DATE	BY	DATE	BY
7/18/20	SWS		
NO.	ANCHOR CORRECTION	NO.	REVISIONS
A			
DATE: 5/26/17		SCALE: N.T.S.	
DWG. BY: SWS		CHK. BY:	
DRAWING NO.: DWG-MA-FLO217-17		SHEET 3 OF 3	

MASONITE INTERNATIONAL CORP.
 1955 POWIS RD.
 WEST CHICAGO, IL 60185