

5 Anchor Locations are identified with balloon callouts (see right) for QSWB2000,SS and/or QSWB4000,SS

Anchor-1 and Anchor-3 have two possible locations each.



FL-22529.2

TABLE-3 CONDENSER UNIT (MAXIMUM) SPECIFICATIONS

Item	QSWB2000 QSWB2000SS	QSWB4000 QSWB4000SS
Max. Length (a) in.	42	48
Max. Height (b) in.	48	54
Max. Depth (c) in.	20	20
Max. Frontal Area (a x b) sq. in.	2020	2300
Max. Lateral Area (b x c) sq. in.	960	1100
Max. Weight (lbs.)	350	500

QSWB Part Number Notation  
 Diversitech QSWB4000 is equivalent to QSWB2000M-1.  
 QSWB2000 and QSWB4000 each come in stainless steel versions. These two part numbers have a suffix "SS"  
 Ex. QSWB2000SS and QSWB4000SS

UNLESS OTHERWISE SPECIFIED:  
 DIMENSIONS ARE IN INCHES (MILLIMETERS)  
 TOLERANCES ARE: ANGLES ±1.0°  
 FRACTIONAL SIZES XY ±1/64  
 INCHES MILLIMETERS  
 X = ±0.1 [ X = ±2.5 ]  
 XX = ±0.01 [ X = ±1.3 ]  
 .XXX = ±0.005 [ .XX = ±0.13 ]



CONFIDENTIAL - PROPRIETARY - DO NOT COPY  
 THIS INFORMATION IS THE CONFIDENTIAL PROPERTY OF DIVERSITECH CORPORATION, AND IS NOT TO BE COPIED, REPRODUCED, OR TRANSMITTED IN ANY FORM OR BY ANY MEANS WITHOUT WRITTEN PERMISSION FROM DIVERSITECH CORPORATION.  
 DO NOT SCALE DRAWING  
 MATERIAL: AISI 1045 Steel / Sy >= 59ksi  
 DWG. NO. A/C Condensing Unit  
 Wall Bracket Systems  
 28AUG17  
 SHEET 1 OF 5  
 Models: QSWB2000, QSWB2000SS, QSWB4000 & QSWB4000SS

A

B

1

2

3

4

4

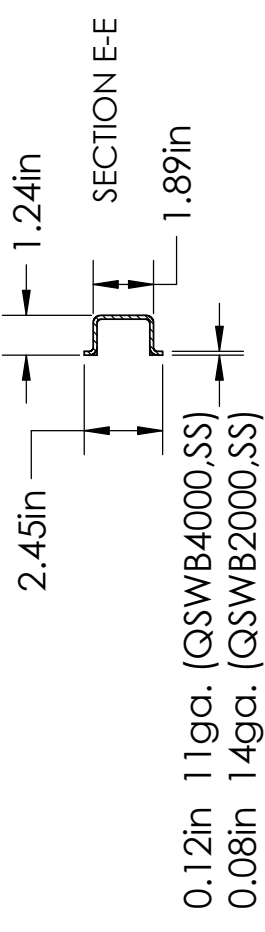
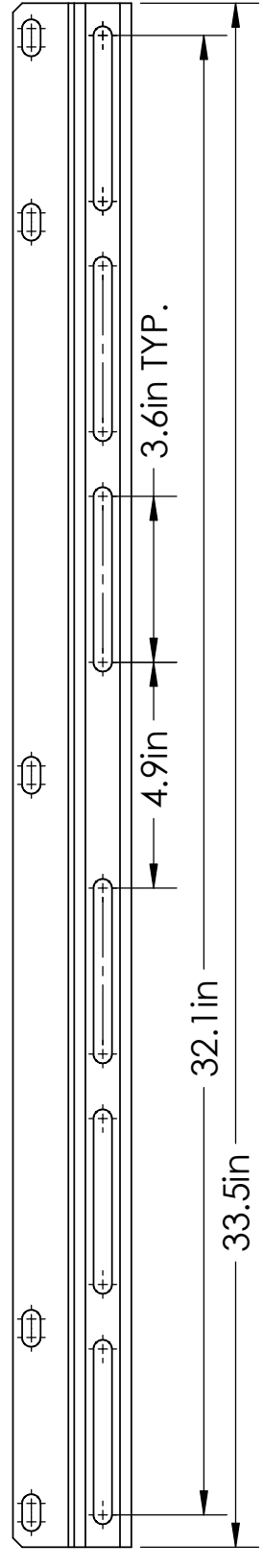
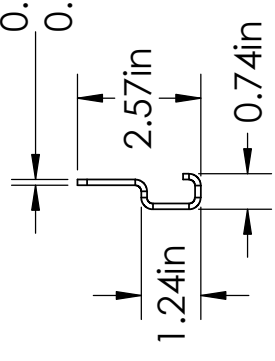
3

2

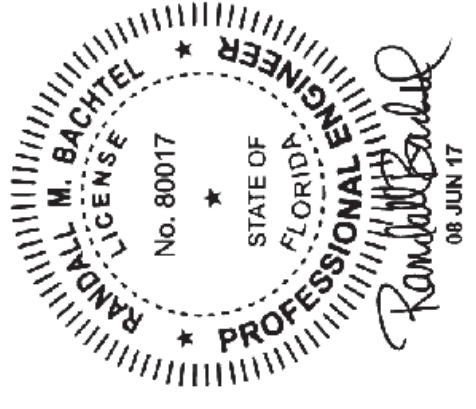
1

QSWB2000,SS and QSWB4000,SS Horizontal Glide Track

0.12in 11ga. (QSWB4000,SS)  
0.08in 14ga. (QSWB2000,SS)

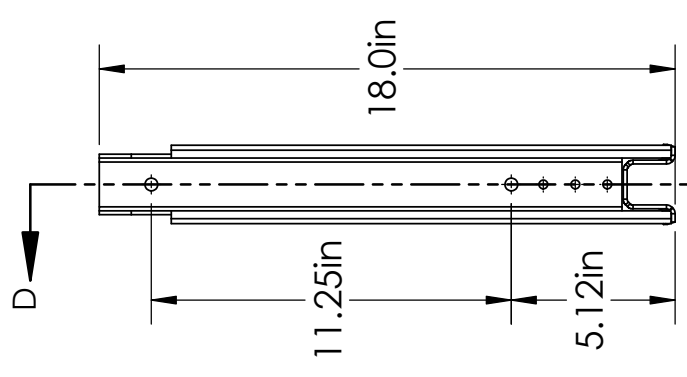


QSWB2000,SS and QSWB4000,SS Wall Bracket Systems are dimensionally identical except for the sheet metal thickness used to form each of the components. QSWB2000 uses 14ga. stock. QSWB4000 uses 11ga. stock.

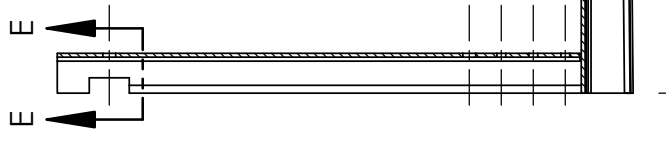


B

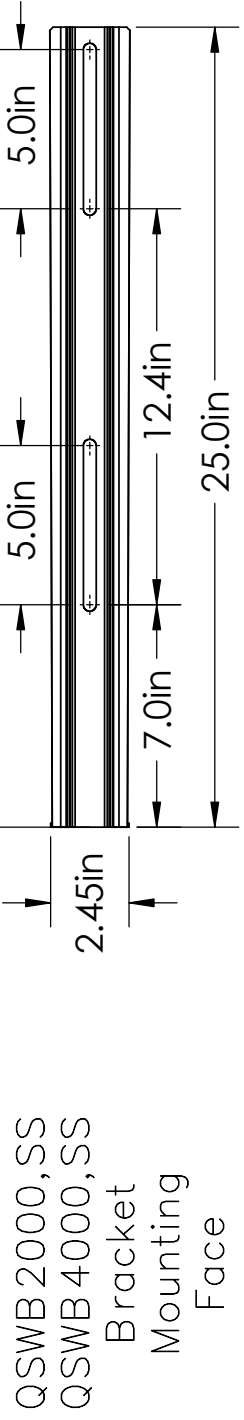
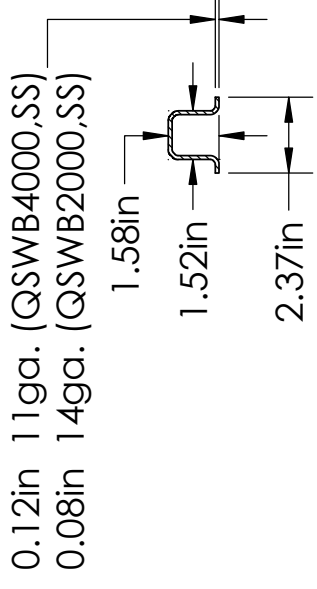
B



QSWB2000,SS and  
QSWB4000,SS  
L - Bracket

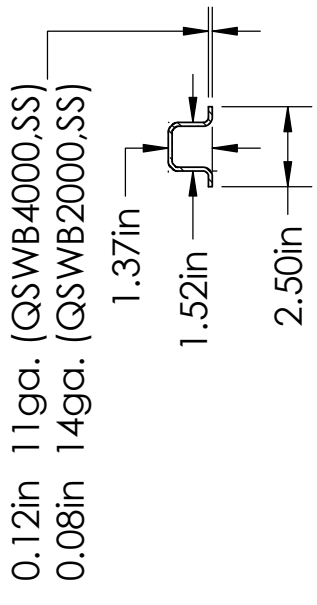


SECTION D-D



QSWB2000,SS/QSWB4000,SS  
Equipment Mounting Face

SECTION F-F



SECTION G-G

UNLESS OTHERWISE SPECIFIED:  
DIMENSIONS ARE IN INCHES (MILLIMETERS)  
TOLERANCES ARE: ANGLES ±1.0°  
FRACTIONAL SIZES XY ±1/64

INCHES MILLIMETERS  
X = ±0.1 [ X = ±2.5 ]  
XX = ±0.01 [ X = ±1.3 ]  
.XXX = ±0.005 [ .XX = ±0.13 ]

THIRD ANGLE PROJECTION



CONFIDENTIAL - PROPRIETARY - DO NOT COPY  
THE INFORMATION CONTAINED HEREIN IS THE  
PROPERTY OF DIVERSITECH CORPORATION,  
AND IS NOT TO BE COPIED, REPRODUCED,  
OR TRANSMITTED IN ANY FORM OR BY ANY  
MEANS, WITHOUT THE WRITTEN PERMISSION  
FROM DIVERSITECH CORPORATION.

DO NOT SCALE DRAWING

DESCRIPTION  
Models: QSWB2000, QSWB2000SS, QSWB4000 & QSWB4000SS

MATERIAL: AISI 1045 Steel / Sy >= 59ksi  
DWG. NO. A/C Condensing Unit  
Wall Bracket Systems

REV. **A**

28AUG17

SHEET  
2 OF 5

4

3

2

1

A

A

4

3

2

1

B


B

A

A

UNLESS OTHERWISE SPECIFIED:  
 DIMENSIONS ARE IN INCHES (MILLIMETERS)  
 TOLERANCES ARE: ANGLES ±1.0°  
 FRACTIONAL SIZES XY ±1/64

INCHES [MILLIMETERS] -  
 X = ±0.1 [ X = ± 2.5 ]  
 XX = ±0.01 [ X = ± 1.3 ]  
 .XXX = ±0.005 [ .XX = ±0.13 ]



THIRD ANGLE PROJECTION



CONFIDENTIAL PROPRIETARY - DO NOT COPY  
 SPRINGFIELD (Stock Size)  
 SPRINGFIELD (Stock No.)  
 DO NOT SCALE DRAWING

MATERIAL: AISI 1045 Steel / Sy >= 59ksi  
 DWG. NO. A/C Condensing Unit  
 Wall Bracket Systems

REV. A  
 28AUG17  
 SHEET 3 OF 5

4

3

2

1

4 3 2 1

B


B

A

A

UNLESS OTHERWISE SPECIFIED:  
 DIMENSIONS ARE IN INCHES (MILLIMETERS)  
 TOLERANCES ARE: ANGLES ±1.0°  
 FRACTIONAL SIZES XY ±1/64

INCHES [MILLIMETERS] -  
 X = ±0.1 [ X = ± 2.5 ]  
 XX = ±0.01 [ X = ± 1.3 ]  
 .XXX = ±0.005 [ .XX = ±0.13 ]



THIRD ANGLE PROJECTION



**CONFIDENTIAL - PROPRIETARY - DO NOT COPY**  
 THE INFORMATION CONTAINED HEREIN IS THE  
 PROPERTY OF DIVERSITECH CORPORATION, AND IS NOT TO BE COPIED, REPRODUCED,  
 OR TRANSMITTED IN ANY FORM OR BY ANY MEANS, WITHOUT  
 WRITTEN PERMISSION FROM DIVERSITECH CORPORATION.

MATERIAL: AISI 1045 Steel / Sy >= 59ksi  
 DWG. NO. A/C Condensing Unit  
 Wall Bracket Systems

DESCRIPTION  
 Models: QSWB2000, QSWB2000SS, QSWB4000 & QSWB4000SS

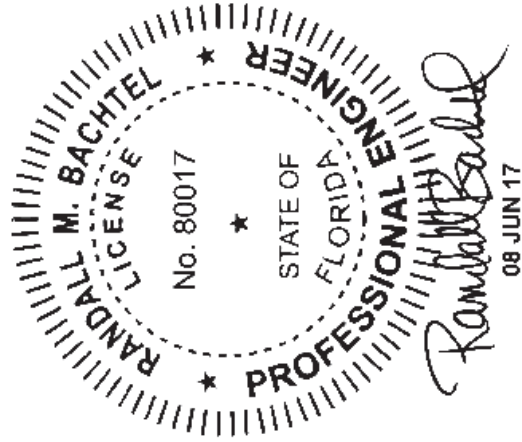
REV. **A**  
 28AUG17  
 SHEET  
 4 OF 5

4 3 2 1

## QSWB Wall Mounting Brackets


### Installation Instructions – Professional Installation Required

1. Ensure that the supporting wall structure that the bracket will be mounted on is capable of supporting the weight of the air conditioner unit and bracket and can support the anchor loads as indicated on the QSWB specification sheet, Pgs. 1 & 3.
2. Use the correct size wall mounting bracket (QSWB2000 or QSWB4000) to match up with the condenser unit weight. See Pg-1.
3. Remove the three wall mounting bracket parts and bag of hardware from the box.
4. Mount the horizontal glide track to the wall using 3 of the 5 anchors. Lag screws for wood and expansion anchors for concrete. Alternate anchors can be used by following the anchor schedule found in the QSWB specification sheet, Pg-4.
5. Mount the L-brackets to the guide track by using the hardware provided. (NOTE: Insert the 1  $\square$  x 3/8" bolts and washers thru the L-bracket into the spring nuts).
6. Insert 1/4–20 carriage bolts with nuts through the bottom side of the L-bracket for equipment mounting. Place rubber washer (vibration and noise reducers) and nut to the top of the L-bracket equipment mounting bar.



UNLESS OTHERWISE SPECIFIED:  
DIMENSIONS ARE IN INCHES (MILLIMETERS)  
TOLERANCES ARE: ANGLES  $\pm 1.0^\circ$   
FRACTIONAL SIZES XY  $\pm 1/64$

INCHES	MILLIMETERS
X = $\pm 0.1$	[ X = $\pm 2.5$ ]
XX = $\pm 0.01$	[ X = $\pm 1.3$ ]
.XXX = $\pm 0.005$	[ .XX = $\pm 0.13$ ]

 THIRD ANGLE PROJECTION



CONFIDENTIAL - PROPRIETARY - DO NOT COPY  
THE INFORMATION CONTAINED HEREIN IS THE CONFIDENTIAL PROPERTY OF DIVERSITECH CORPORATION, AND IS NOT TO BE COPIED, REPRODUCED, OR TRANSMITTED IN ANY FORM OR BY ANY MEANS WITHOUT THE WRITTEN PERMISSION FROM DIVERSITECH CORPORATION.

DO NOT SCALE DRAWING

MATERIAL: AISI 1045 Steel / Sy  $>=$  59ksi  
DWG. NO. A/C Condensing Unit Wall Bracket Systems

REV. **A**  
28AUG17  
SHEET **5** OF **5**

DESCRIPTION  
Models: QSWB2000, QSWB2000SS, QSWB4000 & QSWB4000SS