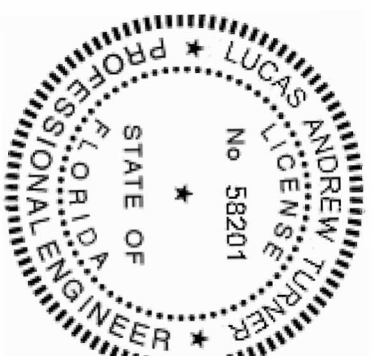


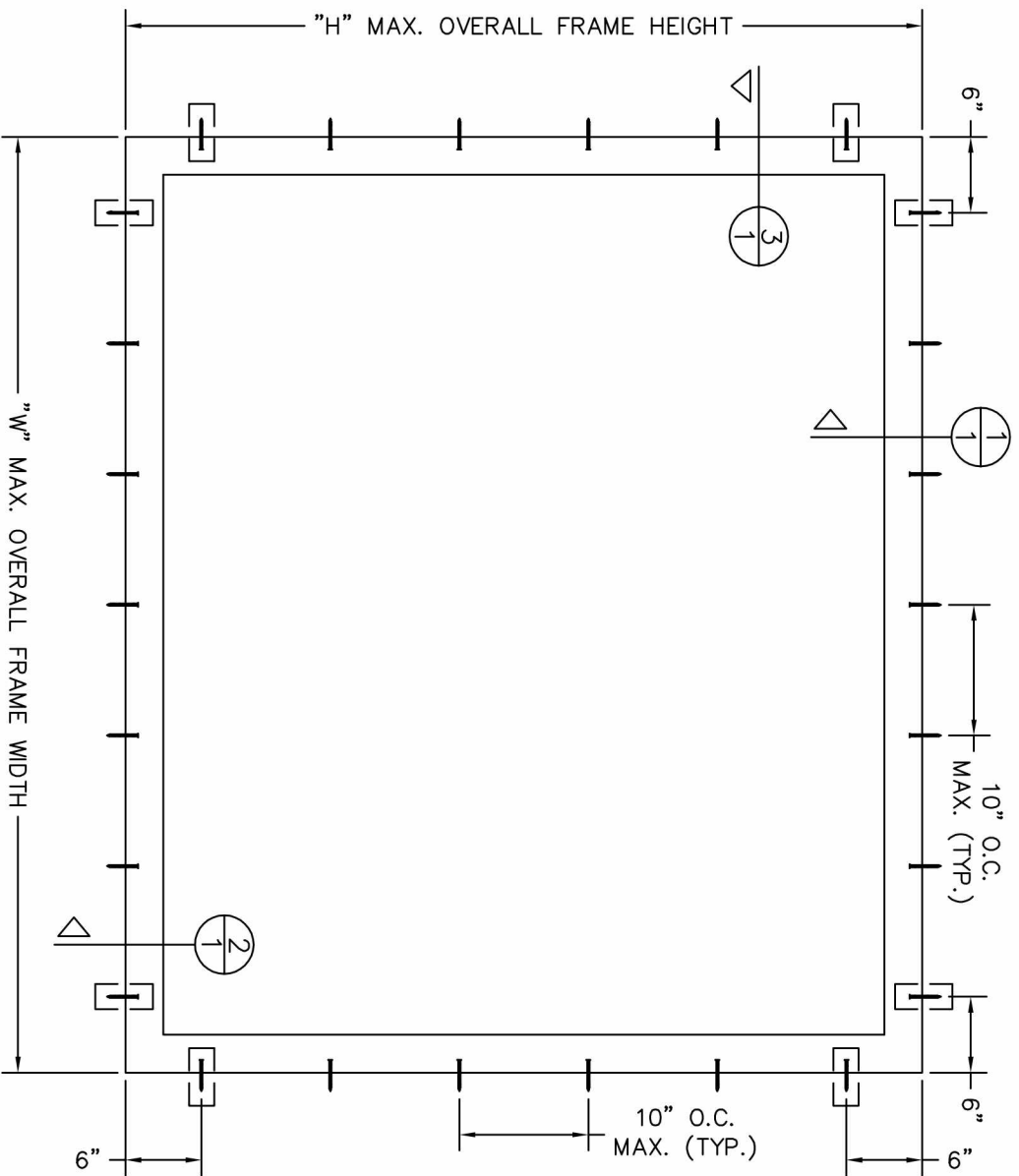
MODEL DESIGNATION: Simonton Series 07-09 / 07-10 / 07-20 Vinyl Fixed Impact Window
 MAXIMUM OVERALL NOMINAL SIZE: See Size Chart
 DESIGN PRESSURE RATING: See Size Chart
 USABLE CONFIGURATIONS: 0
 GENERAL DESCRIPTION: The head, sill, and side jambs are extruded PVC. The wall thickness through which the anchor screw penetrates is a minimum of 0.070".



9/10/2014
 LUCAS A. TURNER, P.E.
 FL PE # 58201
 TURNER ENGINEERING & CONSULTING, INC.
 (COA # 29779)
 1239 JABARA AVE.
 NORTH PORT, FL 34288
 PH. 941-380-1574

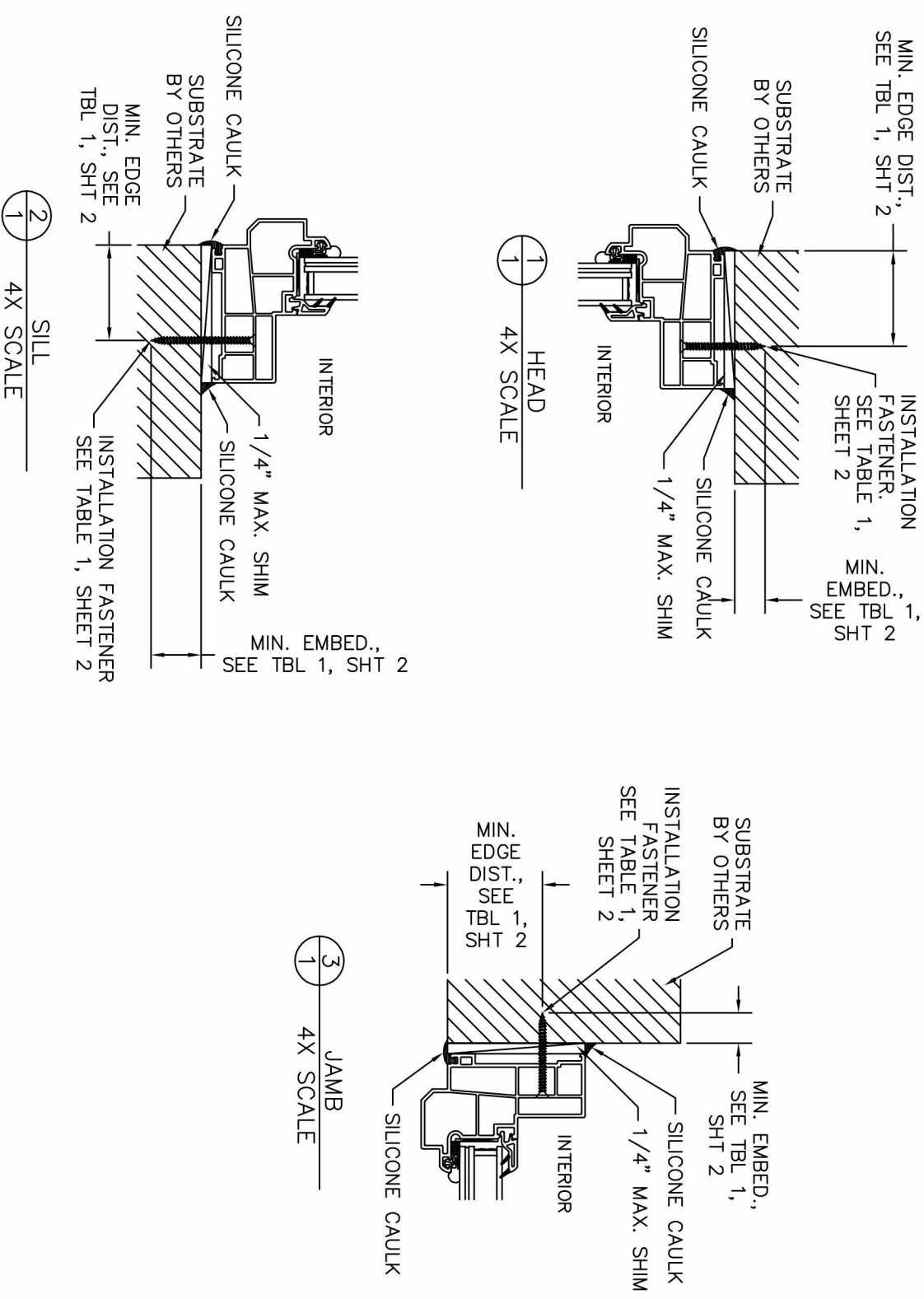
| REV. # | REVISIONS: | REVISED BY: | DATE: |
|--------|---|-------------|----------|
| 1 | UPDATED NOTES, GENERAL DESCRIPTION, AND ANCHOR LOCATIONS. | T.D.D. | 02/03/10 |
| 2 | ADDED GLAZING DETAILS AND FLASHING NOTE. | T.D.D. | 02/25/11 |
| 3 | CORRECTED WINDOW SERIES PER TESTING. | T.D.D. | 05/19/11 |
| 4 | CORRECTED DESIGN PRESSURE FOR 74X63 UNIT. | T.D.D. | 06/01/11 |
| 5 | UPDATED FOR MULTIPLE SUBSTRATE TYPES | L.A.T. | 9/7/14 |

Lucas A. Turner
 2014-09-10 13:42:04:00



□ □ INSTALLATION HOLE PRE-DRILLED BY MANUFACTURER

| SIZE CHART | | |
|--------------|------------|---------|
| OVERALL SIZE | DP RATING | |
| WIDTH "W" | HEIGHT "H" | |
| 37" | 84" | ±50 PSF |
| 74" | 63" | ±55 PSF |



DISCLOSURE STATEMENT

This document is the property of Simonton Windows, which retains all proprietary and other rights to its subject matter. This document is provided to the recipient on the expressed condition that it is not to be disclosed, reproduced in whole or part, nor used in conjunction with the design, manufacture or repair of goods for anyone other than Simonton Windows without its consent. This restriction does not limit the recipient's rights to utilize information contained in this document which is properly obtained from another source.

MATERIAL:

RMS FINISH: EXCEPT AS NOTED
 ALLOY & TEMPER:
 WEIGHT:
 SURFACE AREA:
 FINISH TREATMENT:

Dimensional Tolerances Unless Otherwise Specified

Decimals: .X ± .03
 .XX ± .01
 .XXX ± .005
 Angles: 0° 30 min.



W I N D O W S
 1 Cochran Avenue
 Pennsboro, WV 26415

SIZE: DRAWING NO.: REV:
 B IN0366 5
 DRAWN BY: DATE:
 T.D.D. 11/13/08
 CHECKED BY: DATE:

SCALE: FIT SHEET: 1 of 2 APPROVD BY: DATE:

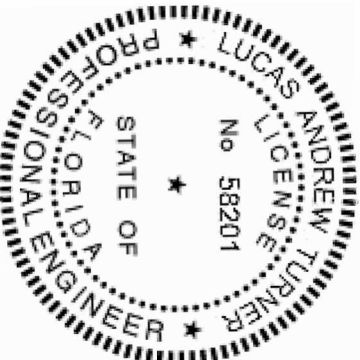
SERIES: 07-09 / 07-10 / 07-20 FIXED IMPACT WINDOW
 TITLE: ELEVATION, INSTALLATION DETAILS

FILE: IN0366

- NOTES:**
- This installation has been evaluated for use in locations adhering to the Texas & Florida Building Codes and where pressure requirements as determined by ASCE 7 Minimum Design Loads for Buildings and Other Structures do not exceed the design pressure ratings herein, for use outside the H.V.H.Z.
 - All interior and exterior perimeter surfaces of the window must be caulked.
 - Anchor type, size, spacing, and embedment shall be as specified in these drawings.
 - Anchor embedment to substrate shall be beyond wall dressing or stucco. For concrete/CMU openings embedment shall be beyond wood bucks, if used, and into substrate. Installations to solid concrete or grout-filled CMU may include but do not require 1x wood bucks between product and substrate. Installations to hollow CMU require the use of 1x bucks between product and substrate.
 - Wood or masonry openings, bucks, and buck fasteners, by others, shall be properly designed and installed to transfer wind loads to the structure. Substrates shall meet the minimum strength requirements as shown in Table 1, this sheet. Concrete or masonry substrates shall not be cracked.
 - The responsibility for selection of Simonton products to meet any applicable local laws, building codes, ordinances, or other safety requirements rests solely with the architect, building owner, or contractor.
 - Shims are required where gaps of greater than 1/16" exist between opening and frame. Max. shim stack is 1/4". Shims shall be load-bearing and capable of transferring loads to the substrate.
 - When used in areas requiring impact protection, this product DOES NOT REQUIRE the use of approved impact resistant shutters or other external protection.
 - Sealing and flashing by others should be applied using the ASTM E 2112 methodology appropriate for the opening into which the door is being installed. Overall water penetration resistance of the installed product is the responsibility of others.
 - Glazing shall comply with ASTM E 1300-04
 - For installation to metal substrates, anchors shall be long enough to be fully threaded through the metal thickness with an additional 3/16" min. of threads beyond.
 - A minimum center-to-center spacing of 1-1/4" shall be maintained between all Elco Ultracons in any direction.
 - All fasteners penetrating into pressure treated wood shall be capable of preventing corrosion due to reaction with pressure treatment chemicals. Any dissimilar materials that come into contact shall be protected to prevent reactions in accordance with code requirements.
 - A wind load duration factor Cd = 1.6 was used for the analysis of wood screws only.
 - Windows shall be constructed as specified in test reports 99620 01-501-47-r0, A2066 01-501-47-r0, and A4999.01-501-47-r1 by Architectural Testing, Inc., and T261-10, by Farabaugh Engineering & Testing, Inc.

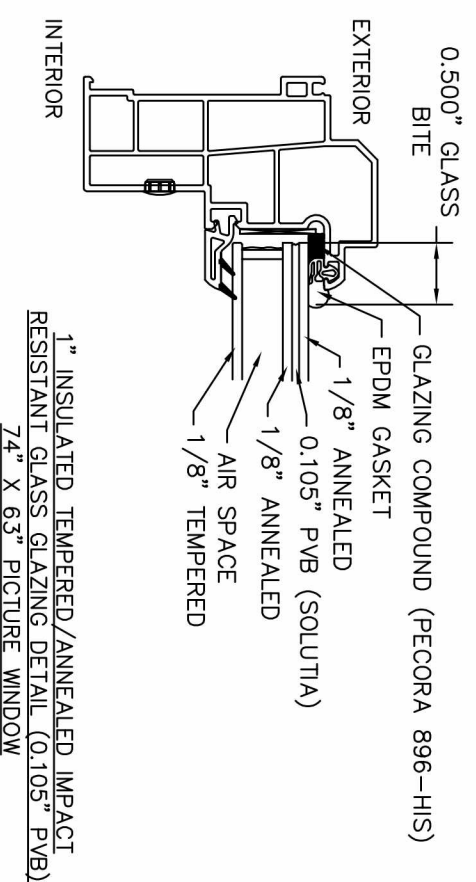
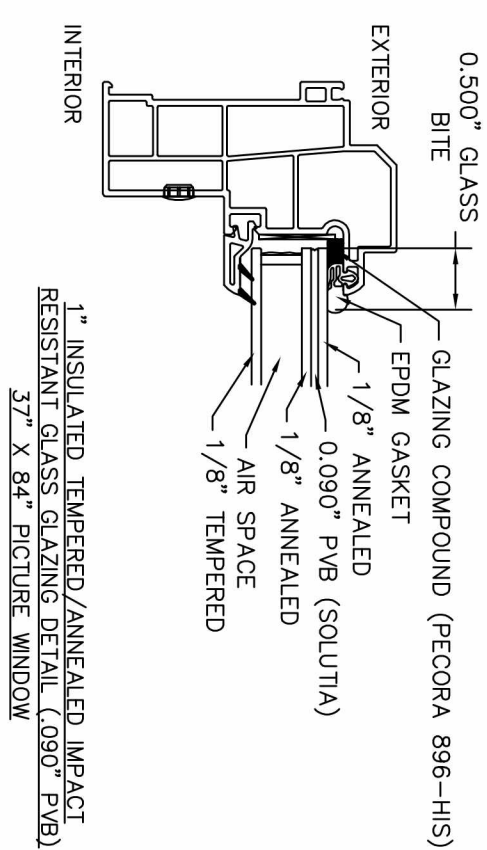
TABLE 1: INSTALLATION FASTENERS TABLE

| ID | SUBSTRATE TYPE | ANCHOR TYPE | MIN. EMBED | MIN. EDGE DIST. |
|----|---|--|-------------|-----------------|
| A | CONCRETE (2.85 KSI MIN.) | 3/16" ELCO ULTRACON | 1" | 1" |
| B | HOLLOW OR GROUT-FILLED CMU (ASTM C90) | 3/16" ELCO ULTRACON | 1-1/4" | 2 1/2" |
| C | 2X MIN. SOUTHERN PINE WOOD (G=0.55) | 3/16" ELCO ULTRACON | 1-3/8" | 3/4" |
| D | 2X MIN. SOUTHERN PINE WOOD (G=0.55) | #10 WOOD SCREW | 1-3/8" | 3/4" |
| E | 16 GAUGE (0.060") MIN. STEEL STUD, 33KSI YIELD MIN. | #10-16 ITW TEKS SELF-DRILLING SCREW | SEE NOTE 11 | 1/2" |
| F | 1/8" ALUM. 6063-T5 MIN. OR 1/8" STEEL 36 KSI MIN. | #10 GRADE 5 SELF-TAPPING/ DRILLING SCREW | SEE NOTE 11 | 1/2" |



9/10/2014
 LUCAS A. TURNER, P.E.
 FL PE # 58201
 TURNER ENGINEERING & CONSULTING, INC.
 (COA # 29779)
 1239 JABARA AVE.
 NORTH PORT, FL 34288
 PH. 941-380-1574

| REV. | # | REVISIONS: | REVISED BY: | DATE: |
|------|---|---|-------------|----------|
| 1 | 1 | UPDATED NOTES, GENERAL DESCRIPTION, AND ANCHOR LOCATIONS. | T.D.D. | 02/03/10 |
| 2 | 2 | ADDED GLAZING DETAILS AND FLASHING NOTE. | T.D.D. | 02/25/11 |
| 3 | 3 | CORRECTED WINDOW SERIES PER TESTING. | T.D.D. | 05/19/11 |
| 4 | 4 | CORRECTED DESIGN PRESSURE FOR 74X63 UNIT. | T.D.D. | 06/01/11 |
| 5 | 5 | UPDATED FOR MULTIPLE SUBSTRATE TYPES | L.A.T. | 9/7/14 |



DISCLOSURE STATEMENT
 This document is the property of Simonton Windows, which retains all proprietary and other rights to its subject matter. This document is provided to the recipient on the expressed condition that it is not to be disclosed, reproduced in whole or part, nor used in conjunction with the design, manufacture or repair of goods for anyone other than Simonton Windows without its consent. This restriction does not limit the recipient's rights to utilize information contained in this document which is properly obtained from another source.

MATERIAL:

| | |
|-------------------|-----------------|
| RMS FINISH: | EXCEPT AS NOTED |
| ALLOY & TEMPER: | |
| WEIGHT: | VOLUME: |
| SURFACE AREA: | PERIMETER: |
| FINISH TREATMENT: | |

Dimensional Tolerances Unless Otherwise Specified

| | |
|--------------------------------------|------------|
| Decimals | Angles |
| .X ± .03 .XX ± .01 .XXX ± .005 | 0° 30 min. |

SIMONTON®
 W I N D O W S
 1 Cochran Avenue
 Pembroke, WV 26415

SIZE: DRAWING NO.: REV:
 B IN0366 5
 DRAWN BY: DATE:
 T.D.D. 11/13/08
 CHECKED BY: DATE:
 APPRVD BY: DATE:
 SCALE: FIT SHEET: 2 of 2
 SERIES: 07-09 / 07-10 / 07-20 FIXED IMPACT WINDOW
 TITLE: NOTES & GLAZING DETAILS

FILE: IN0366