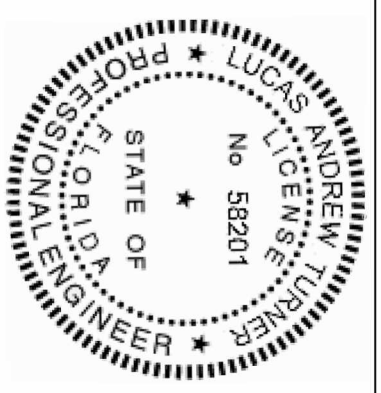
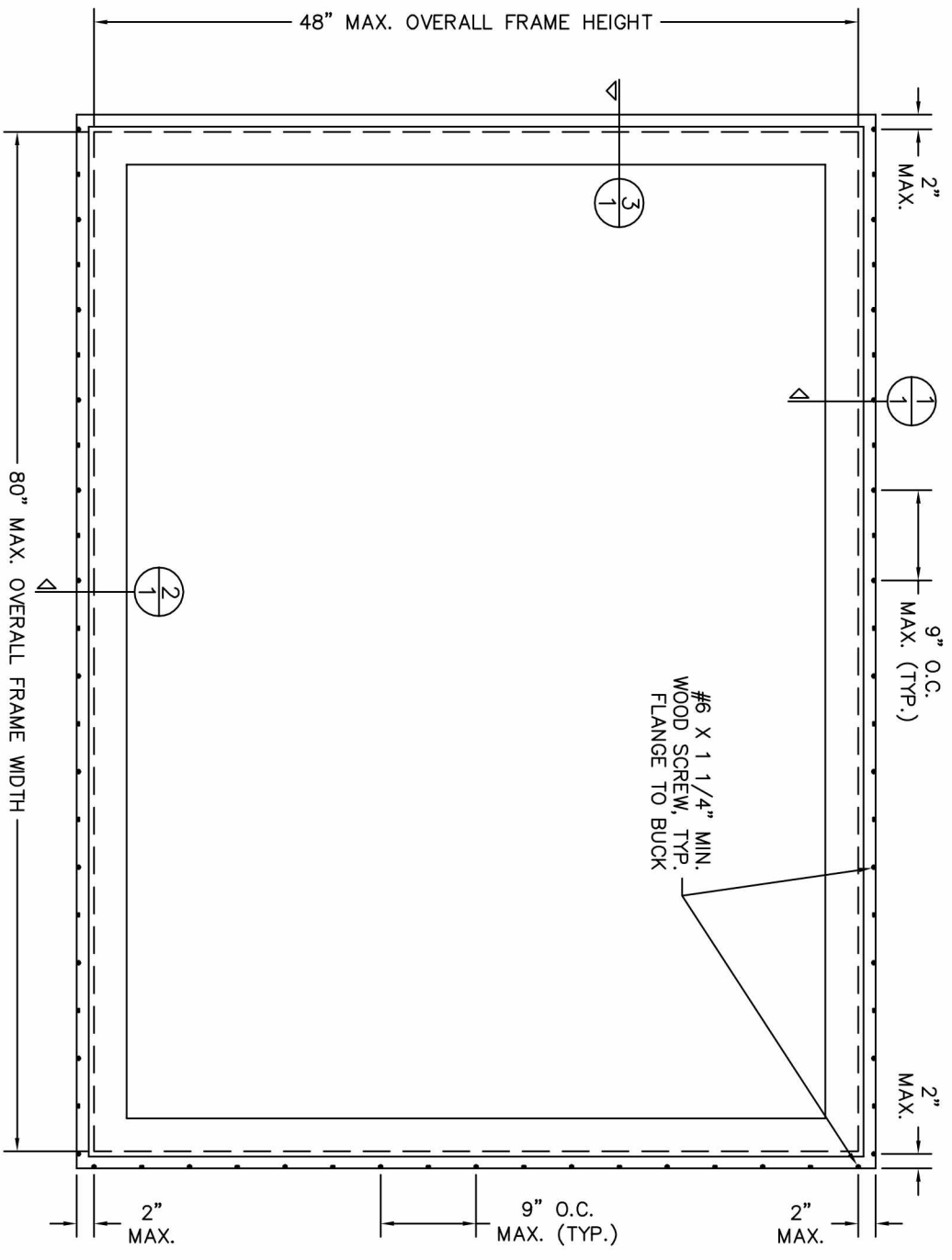


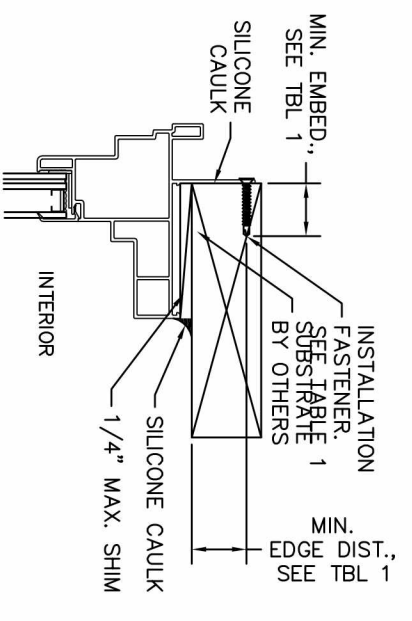
**MODEL DESIGNATION:** Simonton Impact Resistant Fixed Series 42-19 Vinyl Window  
**MAXIMUM OVERALL NOMINAL SIZE:** Single up to 80" x 48"  
**DESIGN PRESSURE RATING:** Positive: 50.0 PSF  
 Negative: 50.0 PSF  
**USABLE CONFIGURATIONS:** 0

**GENERAL DESCRIPTION:** The head, sill, and side jambs are extruded PVC. The wall thickness through which the anchor screw penetrates is a minimum of 0.070".

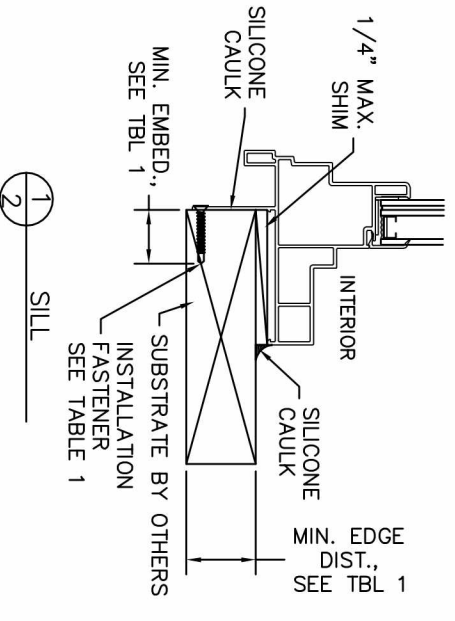


9/12/2014  
 LUCAS A. TURNER, P.E.  
 FL PE # 58201  
 TURNER ENGINEERING &  
 CONSULTING, INC.  
 (COA # 29779)  
 1239 JABARA AVE.  
 NORTH PORT, FL 34288  
 PH. 941-380-1574

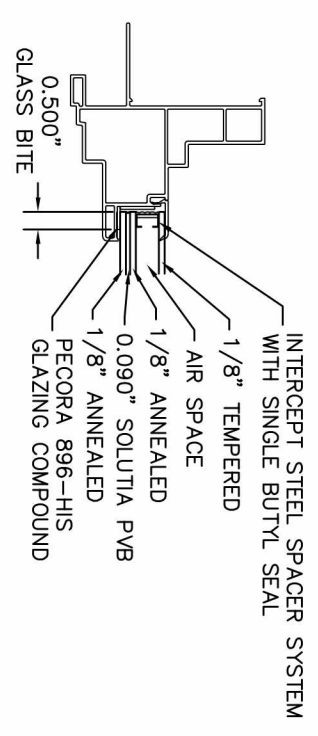
Lucas A. Turner  
 2014-09-12  
 10:19-04:00



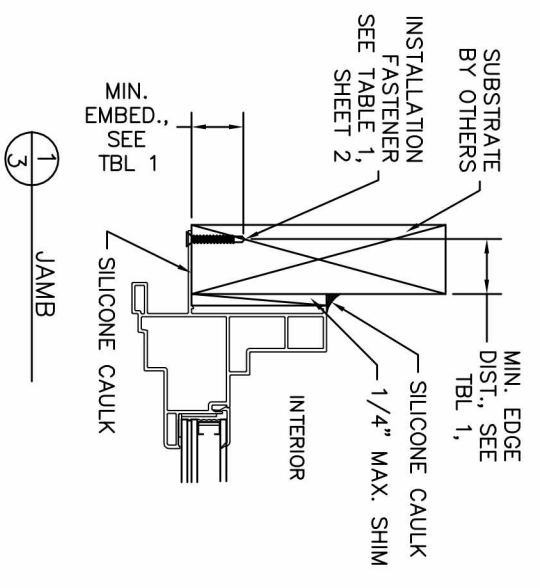
1  
1  
HEAD



1  
2  
SILL



7/8" INSULATED TEMPERED/ANNEALED IMPACT GLASS  
 WITH 0.090" PVB INTERLAYER



1  
3  
JAMB

TABLE 1: FIN INSTALLATION FASTENERS TABLE

| ID | SUBSTRATE TYPE                      | ANCHOR TYPE                       | MIN. EMBED. | MIN. EDGE DISTANCE |
|----|-------------------------------------|-----------------------------------|-------------|--------------------|
| A  | 2X MIN. SOUTHERN PINE WOOD (G=0.55) | ANCHOR THROUGH FIN: #6 WOOD SCREW | 1"          | 3/8"               |

**DISCLOSURE STATEMENT**  
 This document is the property of Simonton Windows, which retains all proprietary and other rights to its subject matter. This document is provided to the recipient on the expressed condition that it is not to be disclosed, reproduced in whole or part, nor used in conjunction with the design, manufacture or repair of goods for anyone other than Simonton Windows without its consent. This restriction does not limit the recipient's rights to utilize information contained in this document which is properly obtained from another source.

**MATERIAL:**

|                   |                 |
|-------------------|-----------------|
| RMS FINISH:       | EXCEPT AS NOTED |
| ALLOY & TEMPER:   |                 |
| WEIGHT:           |                 |
| SURFACE AREA:     |                 |
| FINISH TREATMENT: |                 |

**Dimensional Tolerances Unless Otherwise Specified**

|                                      |            |
|--------------------------------------|------------|
| Decimals                             | Angles     |
| .X ± .03<br>.XX ± .01<br>.XXX ± .005 | 0° 30 min. |

**SIMONTON**  
 W I N D O W S  
 1 Cochran Avenue  
 Pemberton, WV 26415

SIZE: DRAWING NO.: REV:  
 B IN0551 1

DRAWN BY: DATE:  
 T.D.D. 05/02/12

CHECKED BY: DATE:  
 DATE:

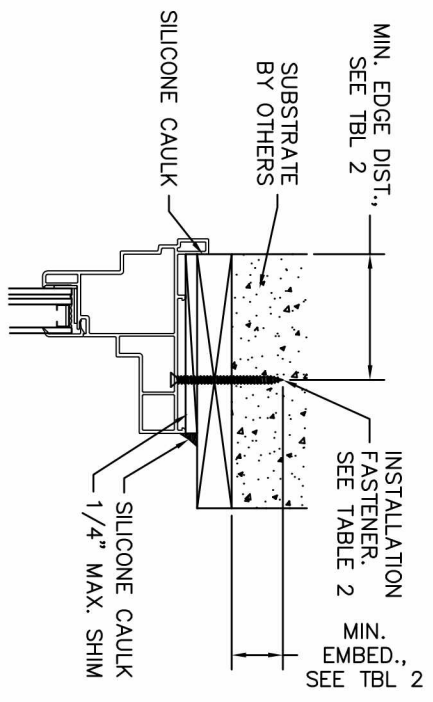
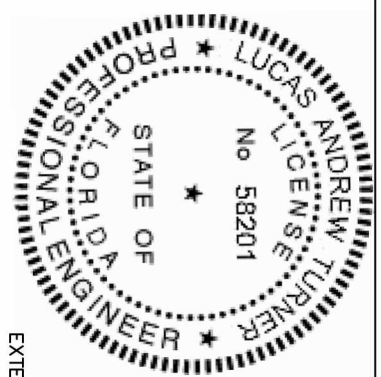
SCALE: FIT SHEET: 1 of 2 APPROVD BY: DATE:

SERIES: 42-19 IMPACT RESISTANT FIXED WINDOW SINGLE  
 TITLE: 2X BUCK INSTALLATION DETAILS, GLAZING DETAILS

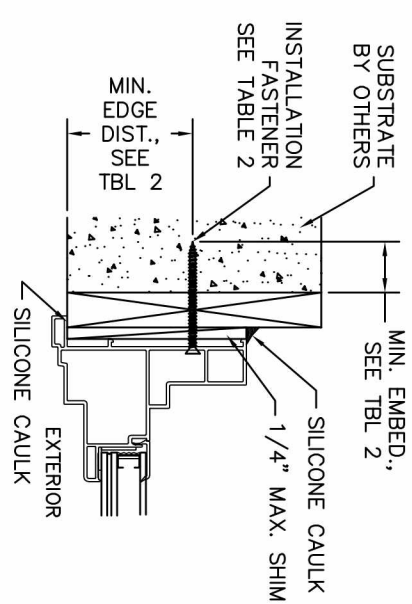
| REV. # | REVISIONS:                           | REVISED BY: | DATE:  |
|--------|--------------------------------------|-------------|--------|
| 1      | UPDATED FOR MULTIPLE SUBSTRATE TYPES | L.A.T.      | 9/7/14 |

| REV. # | REVISIONS:                           | REVISED BY: | DATE:  |
|--------|--------------------------------------|-------------|--------|
| 1      | UPDATED FOR MULTIPLE SUBSTRATE TYPES | L.A.T.      | 9/7/14 |
|        |                                      |             |        |
|        |                                      |             |        |

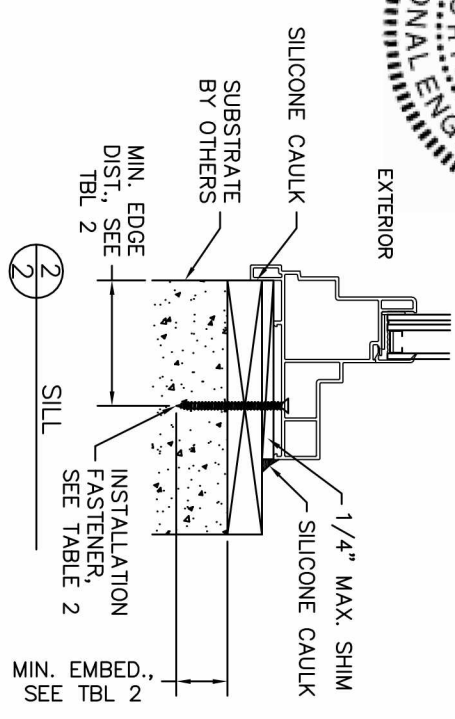
9/12/2014  
 LUCAS A. TURNER, P.E.  
 FL PE # 58201  
 TURNER ENGINEERING &  
 CONSULTING, INC.  
 (COA # 29779)  
 1239 JABARA AVE.  
 NORTH PORT, FL 34288  
 PH. 941-380-1574



1 HEAD



3 JAMB



2 SILL

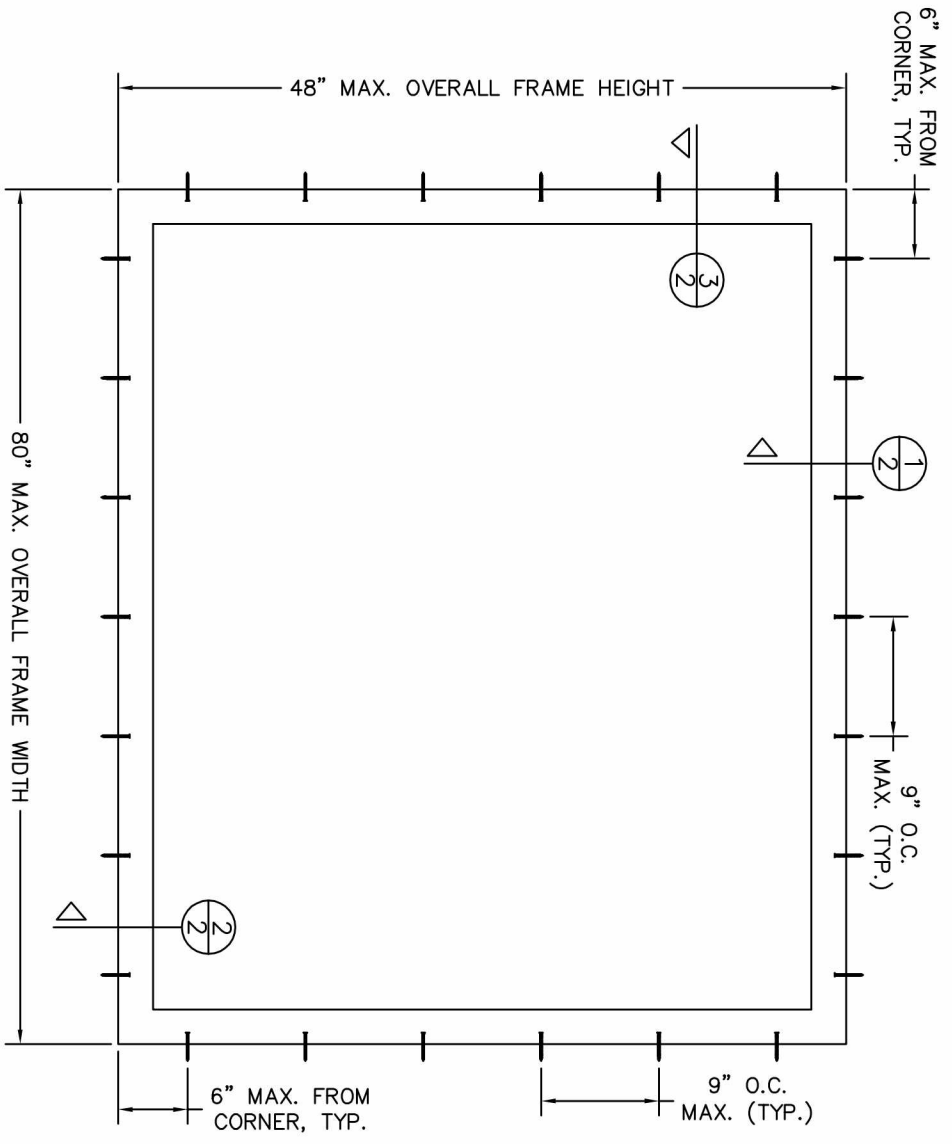


TABLE 2: 1X INSTALLATION FASTENERS TABLE

| ID | SUBSTRATE TYPE                        | ANCHOR TYPE         | MIN. EMBED | MIN. EDGE DIST. |
|----|---------------------------------------|---------------------|------------|-----------------|
| A  | CONCRETE (2.85 KSI MIN.)              | 3/16" ELCO ULTRACON | 1"         | 1"              |
| B  | HOLLOW OR GROUT-FILLED CMU (ASTM C90) | 3/16" ELCO ULTRACON | 1-1/4"     | 2 1/2"          |

- NOTES:
- This installation has been evaluated for use in locations adhering to the Texas & Florida Building Codes and where pressure requirements as determined by ASCE 7 Minimum Design Loads for Buildings and Other Structures do not exceed the design pressure ratings herein, for use outside the H.V.H.Z.
  - All interior perimeter surfaces and exterior fins of the window must be caulked.
  - Anchor type, size, spacing, and embedment shall be as specified in these drawings.
  - Anchor embedment to substrate shall be beyond wall dressing or stucco. Fin installations to concrete/masonry openings require the use of 2x wood bucks between product and substrate, with product installation to 2x buck as indicated on sheet 1. For flange installations to concrete/CMU openings, embedment shall be beyond wood bucks, if used, and into substrate, see sheet 2. Flange installations to solid concrete or grout-filled CMU may include but do not require 1x wood bucks between product and substrate. Flange installations to hollow CMU require the use of 1x bucks between product and substrate.
  - Wood or masonry openings, bucks, and buck fasteners, by others, shall be properly designed and installed to transfer wind loads to the structure. Substrates shall meet the minimum strength requirements as shown in Table 1, this sheet, and Table 2, sheet 2.
  - The responsibility for selection of Simonton products to meet any applicable local laws, building codes, ordinances, or other safety requirements rests solely with the architect, building owner, or contractor.
  - Shims are required where gaps of greater than 1/16" exist between opening and frame. Max. shim stack is 1/4". Shims shall be load-bearing and capable of transferring loads to the substrate.
  - When used in areas requiring impact protection conforming to missile level C, wind zone 2, this product DOES NOT REQUIRE the use of approved impact resistant shutters or other external protection.
  - Sealing and flashing by others should be applied using the ASTM E 2112 methodology appropriate for the opening into which the door is being installed. Overall water penetration resistance of the installed product is the responsibility of others.
  - Glazing shall comply with ASTM E 1300-04 and safety glazing requirements per FBC Section 2406.
  - For installation to metal substrates, anchors shall be long enough to be fully threaded through the metal thickness with an additional 3/16" min. of threads beyond.
  - A minimum center-to-center spacing of 1-1/4" shall be maintained between all Elco Ultracons in any direction.
  - All fasteners penetrating into pressure treated wood shall be capable of preventing corrosion due to reaction with pressure treatment chemicals. Any dissimilar materials that come into contact shall be protected to prevent reactions in accordance with code requirements.
  - A wind load duration factor Cd = 1.6 was used for the analysis of wood screws only.
  - Windows shall be constructed as specified in test reports B7590.01-501-47-r1 and C9032.01-501-47-r0, by Architectural Testing, Inc., and T255-10, by Farabaugh Engineering & Testing, Inc.

DISCLOSURE STATEMENT

This document is the property of Simonton Windows, which retains all proprietary and other rights to its subject matter. This document is provided to the recipient on the expressed condition that it is not to be disclosed, reproduced in whole or part, nor used in conjunction with the design, manufacture or repair of goods for anyone other than Simonton Windows without its consent. This restriction does not limit the recipient's rights to utilize information contained in this document which is properly obtained from another source.

|  |  |                     |  |                   |  |
|--|--|---------------------|--|-------------------|--|
| MATERIAL:                                  |  | RMS FINISH:         |  | FINISH TREATMENT: |  |
| EXCEPT AS NOTED                            |  | EXCEPT AS NOTED     |  | SURFACE AREA:     |  |
| ALLOY & TEMPER:                            |  | WEIGHT:             |  | PERIMETER:        |  |
| VOLUME:                                    |  | DECIMALS            |  | ANGLES            |  |
| PERIMETER:                                 |  | .X ± .03            |  | 0° 30 min.        |  |
| FINISH TREATMENT:                          |  | .XX ± .01           |  | .XXX ± .005       |  |
| TITLE:                                     |  | DRAWING NO.:        |  | REV.:             |  |
| 1X BUCK INSTALLATION DETAILS, NOTES        |  | B IN0551            |  | 1                 |  |
| DRAWN BY:                                  |  | DATE:               |  | CHECKED BY:       |  |
| T.D.D.                                     |  | 05/02/12            |  | DATE:             |  |
| 1 Cochran Avenue                           |  | Pemberton, WV 26415 |  | APPRVD BY:        |  |
| SCALE:                                     |  | SHEET:              |  | DATE:             |  |
| FIT  |  | 2 of 2              |  |                   |  |
| SERIES:                                    |  | DATE:               |  |                   |  |
| 42-19 IMPACT RESISTANT FIXED WINDOW SINGLE |  |                     |  |                   |  |

