



MIAMI-DADE COUNTY
PRODUCT CONTROL SECTION

DEPARTMENT OF REGULATORY AND ECONOMIC RESOURCES
(RER)

11805 SW 26 Street, Room 208
Miami, Florida 33175-2474

BOARD AND CODE ADMINISTRATION DIVISION

T (786) 315-2590 F (786) 315-2599

NOTICE OF ACCEPTANCE (NOA)

www.miamidade.gov/economy

PGT Industries, Inc.
1070 Technology Drive
North Venice, FL 34275

SCOPE: This NOA is being issued under the applicable rules and regulations governing the use of construction materials. The documentation submitted has been reviewed and accepted by Miami-Dade County RER - Product Control Section to be used in Miami Dade County and other areas where allowed by the Authority Having Jurisdiction (AHJ).

This NOA shall not be valid after the expiration date stated below. The Miami-Dade County Product Control Section (In Miami-Dade County) and/or the AHJ (in areas other than Miami-Dade County) reserve the right to have this product or material tested for quality assurance purposes. If this product or material fails to perform in the accepted manner, the manufacturer will incur the expense of such testing and the AHJ may immediately revoke, modify, or suspend the use of such product or material within their jurisdiction. RER reserves the right to revoke this acceptance if it is determined by Miami-Dade County Product Control Section that this product or material fails to meet the requirements of the applicable building code.

This product is approved as described herein and has been designed to comply with the Florida Building Code, including the High Velocity Hurricane Zone.-

DESCRIPTION: Series "SH7700A" Aluminum Single Hung Window – L.M.I.

APPROVAL DOCUMENT: Drawing No. 7700NOA-1 Rev B, titled "Aluminum Single Hung Install (LM)", sheets 1 through 11 of 11, dated 04/01/18 and last revised on 06/06/23, prepared by manufacturer, signed and sealed by Anthony Lynn Miller, P.E., bearing the Miami-Dade County Product Control Renewal stamp with the Notice of Acceptance number and expiration date by the Miami-Dade County Product Control Section.

MISSILE IMPACT RATING: Large and Small Missile Impact Resistant

LABELING: Each unit shall bear a permanent label with the manufacturer's name or logo, city, state, model/series, and following statement: "Miami-Dade County Product Control Approved", unless otherwise noted herein.

RENEWAL of this NOA shall be considered after a renewal application has been filed and there has been no change in the applicable building code negatively affecting the performance of this product.

TERMINATION of this NOA will occur after the expiration date or if there has been a revision or change in the materials, use, and/or manufacture of the product or process. Misuse of this NOA as an endorsement of any product, for sales, advertising or any other purposes shall automatically terminate this NOA. Failure to comply with any section of this NOA shall be cause for termination and removal of NOA.

ADVERTISEMENT: The NOA number preceded by the words Miami-Dade County, Florida, and followed by the expiration date may be displayed in advertising literature. If any portion of the NOA is displayed, then it shall be done in its entirety.

INSPECTION: A copy of this entire NOA shall be provided to the user by the manufacturer or its distributors and shall be available for inspection at the job site at the request of the Building Official.

This NOA **revises & renews** NOA # 20-0401.11 and consists of this page 1 and evidence pages E-1, E-2, E-3, E-4 and E-5, as well as approval document mentioned above.

The submitted documentation was reviewed by **Ishaq I. Chanda, P.E.**



Ishaq I. Chanda

NOA No. 23-0707.10
Expiration Date: August 23, 2028
Approval Date: July 27, 2023
Page 1

NOTICE OF ACCEPTANCE: EVIDENCE SUBMITTED

1. Submitted under NOA # 18-0430.06

A. DRAWINGS

1. Manufacturer's die drawings and sections.
2. Drawing No. **7700NOA-1**, titled "Aluminum Single Hung Install (LM), sheets 1 through 11 of 11, dated 04/01/18, prepared by manufacturer, signed and sealed by Anthony Lynn Miller, P.E.

B. TESTS

1. Test reports on: 1) Air Infiltration Test, per FBC, TAS 202-94
2) Uniform Static Air Pressure Test, Loading per FBC, TAS 202-94
3) Water Resistance Test, per FBC, TAS 202-94
4) Large Missile Impact Test per FBC, TAS 201-94
5) Cyclic Wind Pressure Loading per FBC, TAS 203-94
6) Forced Entry Test, per FBC 2411.3.2.1, and TAS 202-94
along with marked-up drawings and installation diagram of an aluminum single hung window, prepared by Fenestration Testing Laboratory, Inc., Test Report No. **FTL-18-7835.1**, dated 04/03/18, signed and sealed by Idalmis Ortega, P.E.
2. Test reports on: 1) Air Infiltration Test, per FBC, TAS 202-94
2) Uniform Static Air Pressure Test, Loading per FBC, TAS 202-94
3) Water Resistance Test, per FBC, TAS 202-94
4) Large Missile Impact Test per FBC, TAS 201-94
5) Cyclic Wind Pressure Loading per FBC, TAS 203-94
6) Forced Entry Test, per FBC 2411.3.2.1, and TAS 202-94
window, prepared by Fenestration Testing Laboratory, Inc., Test Reports No. **FTL-18-7835.2**, dated 05/04/18, signed and sealed by Idalmis Ortega, P.E.

C. CALCULATIONS

1. Anchor verification calculations and structural analysis, complying with **FBC 6th Edition (2017)**, dated 04/23/18, prepared by manufacturer, signed and sealed by Anthony Lynn Miller, P.E.
2. Glazing complies with **ASTM E1300-09**

D. QUALITY ASSURANCE

1. Miami-Dade Department of Regulatory and Economic Resources (RER).

Ishaq I. Chanda

Ishaq I. Chanda, P.E.
Product Control Unit Supervisor
NOA No. 23-0707.10
Expiration Date: August 23, 2028
Approval Date: July 27, 2023

NOTICE OF ACCEPTANCE: EVIDENCE SUBMITTED

E. MATERIAL CERTIFICATIONS

1. Notice of Acceptance No. **17-1114.14** issued to **Kuraray America, Inc.** for their “**Trosifol® Ultraclear, Clear and Color PVB Glass Interlayers**” dated 01/18/18, expiring on 07/08/19.
2. Notice of Acceptance No. **17-0808.02** issued to **Kuraray America, Inc.** for their “**SentryGlas® (Clear and White) Glass Interlayers**” dated 12/28/17, expiring on 07/04/23.

F. STATEMENTS

1. Statement letter of conformance to **FBC 6th Edition (2017)**, dated April 24, 2018, issued by manufacturer, signed and sealed by Anthony Lynn Miller, P.E.
2. Statement letter of no financial interest, dated April 24, 2018, issued by manufacturer, signed and sealed by Anthony Lynn Miller, P.E.
3. Proposal No. **18-0005R** issued by the Product Control Section, dated 01/16/18, signed by Manuel Perez, P.E

G. OTHERS

1. None.

Ishaq I. Chanda

Ishaq I. Chanda, P.E.
Product Control Examiner
NOA No. 23-0707.10
Expiration Date: August 23, 2028
Approval Date: July 27, 2023

NOTICE OF ACCEPTANCE: EVIDENCE SUBMITTED

2. Evidence Submitted previous approval

A. DRAWINGS

1. Manufacturer's die drawings and sections.
2. Drawing No. **7700NOA-1**, titled "Aluminum Single Hung Install (LM)", sheets 1 through 11 of 11, dated 04/01/18, with revision A dated 03/11/20, prepared by manufacturer, signed and sealed by Anthony Lynn Miller, P.E.

B. TESTS

1. Test reports on: 1) Air Infiltration Test, per FBC, TAS 202-94
2) Uniform Static Air Pressure Test, Loading per FBC, TAS 202-94
3) Water Resistance Test, per FBC, TAS 202-94
4) Large Missile Impact Test per FBC, TAS 201-94
5) Cyclic Wind Pressure Loading per FBC, TAS 203-94
6) Forced Entry Test, per ASTM F588 and TAS 202-94

along with marked-up drawings and installation diagram of all PGT Industries, Inc. representative units listed below and tested to qualify **Dowsil 791** and **Dowsil 983** silicones, prepared by Fenestration Testing Laboratory, Inc., Test Reports No.: **FTL-7897**, PGT PW5520 PVC Fixed Window (unit 6 in proposal), dated 09/03/14 **FTL-20-2107.1**, PGT SGD780 Aluminum Sliding Glass Door (unit 7 in proposal) **FTL-20-2107.2**, PGT CA740 Alum. Outswing Casement Window (unit 8 in proposal) **FTL-20-2107.3**, PGT PW7620A Aluminum Fixed Window (unit 9 in proposal) and **FTL-20-2107.4**, PGT PW7620A Aluminum Fixed Window (unit 10 in proposal) dated 07/13/20, all signed and sealed by Idalmis Ortega, P.E

C. CALCULATIONS

1. Anchor verification calculations and structural analysis, complying with **FBC 6th Edition (2017)** and **FBC 7th Edition (2020)**, dated 03/13/20, prepared by manufacturer, signed and sealed by Anthony Lynn Miller, P.E.

D. QUALITY ASSURANCE

1. Miami- Dade Department of Regulatory and Economic Resources (RER).

E. MATERIAL CERTIFICATIONS

1. None.

Ishaq I. Chanda

Ishaq I. Chanda, P.E.
Product Control Unit Supervisor
NOA No. 23-0707.10
Expiration Date: August 23, 2028
Approval Date: July 27, 2023

NOTICE OF ACCEPTANCE: EVIDENCE SUBMITTED

F. STATEMENTS

1. Statement letter of conformance, complying with **FBC 6th Edition (2017)** and **FBC 7th Edition (2020)**, dated March 10, 2020, issued by manufacturer, signed and sealed by Anthony Lynn Miller, P.E.
2. Statement letter of no financial interest, dated March 10, 2020, issued by manufacturer, signed and sealed by Anthony Lynn Miller, P.E.
3. Proposal No. **19-1155 TP** issued by the Product Control Section, dated January 10, 2020, signed by Ishaq Chanda, P.E.

G. OTHERS

1. Notice of Acceptance No. **18-0430.06** issued to PGT Industries, Inc. for their “Series “SH7700A” Aluminum Single Hung Window – L.M.I.” approved on 08/23/18 and expiring on 08/23/23.

Ishaq I. Chanda

Ishaq I. Chanda, P.E.
Product Control Unit Supervisor
NOA No. 23-0707.10
Expiration Date: August 23, 2028
Approval Date: July 27, 2023

PGT Industries, Inc.

NOTICE OF ACCEPTANCE: EVIDENCE SUBMITTED

3. New Evidence Submitted

A. DRAWINGS

1. Drawing No. **7700NOA-1 Rev B**, titled “Aluminum Single Hung Install (LM)”, sheets 1 through 11 of 11, dated 04/01/18 and last revised on 06/06/23, prepared by manufacturer, signed and sealed by Anthony Lynn Miller, P.E.

B. TESTS (submitted under previous approval)

1. None.

C. CALCULATIONS (submitted under previous approval)

1. None.

D. QUALITY ASSURANCE

1. Miami-Dade Department of Regulatory and Economic Resources (RER)

E. MATERIAL CERTIFICATIONS

1. None.

F. STATEMENTS

1. Statement letter of conformance, complying with **FBC 7th Edition (2020)** and the **FBC 8th Edition (2023)**, dated 06-06-23, issued by manufacturer, signed and sealed by Anthony Lynn Miller, P.E.
2. Statement letter of conformance, complying with **FBC 6th Edition (2017)** and the **FBC 7th Edition (2020)**, dated March 10, 2020, issued by manufacturer, signed and sealed by Anthony Lynn Miller, P.E. (submitted under previous approval)

G. OTHERS

1. This NOA **revises & renews NOA # 20-0401.11**, expiring 08/23/28.

Ishaq I. Chanda

Ishaq I. Chanda, P.E.
Product Control Unit Supervisor
NOA No. 23-0707.10
Expiration Date: August 23, 2028
Approval Date: July 27, 2023

SERIES SH7700A IMPACT RESISTANT SINGLE HUNG WINDOW

1) THIS PRODUCT HAS BEEN DESIGNED & TESTED TO COMPLY WITH THE REQUIREMENTS OF THE FLORIDA BUILDING CODE, INCLUDING THE HIGH VELOCITY HURRICANE ZONE (HVHZ).

2) SHUTTERS ARE NOT REQUIRED WHEN USED IN WIND-BORNE DEBRIS REGIONS. FOR INSULATED GLASS INSTALLATIONS ABOVE 30' IN THE HVHZ, THE OUTBOARD LITE (CAP) MUST BE TEMPERED, USE ONLY GLASS TYPES 3, 7, 12, 13 OR 15.

3) FOR MASONRY APPLICATIONS IN MIAMI-DADE COUNTY, USE ONLY MIAMI-DADE COUNTY APPROVED MASONRY ANCHORS. MATERIALS USED FOR ANCHOR EVALUATIONS WERE SOUTHERN PINE, ASTM C90 CONCRETE MASONRY UNITS AND CONCRETE WITH MIN. KSI PER ANCHOR TYPE.

4) ALL WOOD BUCKS LESS THAN 1-1/2" THICK ARE TO BE CONSIDERED 1X INSTALLATIONS. 1X WOOD BUCKS ARE OPTIONAL IF UNIT IS INSTALLED DIRECTLY TO SUBSTRATE. WOOD BUCKS DEPICTED AS 2X ARE 1-1/2" THICK OR GREATER. 1X AND 2X BUCKS (WHEN USED) SHALL BE DESIGNED AND SECURED TO PROPERLY TRANSFER LOADS TO THE STRUCTURE. WOOD BUCK DESIGN AND INSTALLATION IS THE RESPONSIBILITY OF THE ENGINEER, (EOR) OR ARCHITECT OF RECORD, (AOR).

5) ANCHOR EMBEDMENT TO BASE MATERIAL SHALL BE BEYOND WALL DRESSING OR STUCCO. USE ANCHORS OF SUFFICIENT LENGTH TO ACHIEVE REQUIRED MIN. EMBEDMENT. INSTALLATION ANCHORS SHOULD BE SEALED. OVERALL SEALING & FLASHING STRATEGY FOR WATER RESISTANCE OF INSTALLATION SHALL BE DONE BY OTHERS AND IS BEYOND THE SCOPE OF THESE INSTRUCTIONS.

6) 1/4" MAX. SHIMS ARE REQUIRED AT EACH ANCHOR LOCATION WHERE THE PRODUCT IS NOT FLUSH TO THE SUBSTRATE. USE SHIMS CAPABLE OF TRANSFERRING APPLIED LOADS.

7) DESIGN PRESSURES:

- A. NEGATIVE DESIGN LOADS BASED ON STRUCTURAL & CYCLE TESTING AND GLASS PER ASTM E1300.
- B. POSITIVE DESIGN LOADS BASED ON WATER TEST PRESSURE, STRUCTURAL & CYCLE TESTING AND GLASS PER ASTM E1300.
- C. DESIGN LOADS ARE BASED ON ALLOWABLE STRESS DESIGN, ASD.

8) THE ANCHORAGE METHODS SHOWN HAVE BEEN DESIGNED TO RESIST THE WINDLOADS CORRESPONDING TO THE REQUIRED DESIGN PRESSURE. THE 33-1/3% STRESS INCREASE HAS NOT BEEN USED IN THE DESIGN OF THIS PRODUCT. THE 1.6 LOAD DURATION FACTOR WAS USED FOR THE EVALUATION OF ANCHORS INTO WOOD. ANCHORS THAT COME INTO CONTACT WITH OTHER DISSIMILAR MATERIALS SHALL MEET THE REQUIREMENTS OF THE FLORIDA BUILDING CODE FOR CORROSION RESISTANCE.

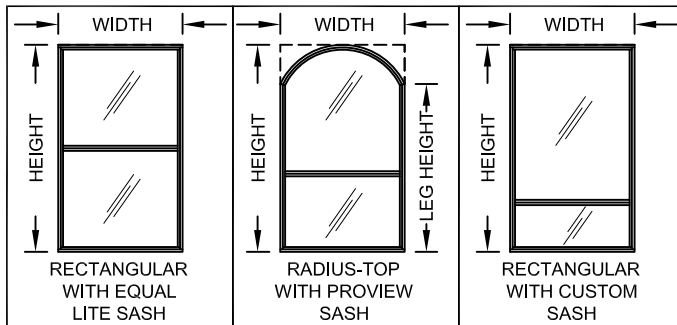
9) METAL SUBSTRATE TO MEET MIN. STRENGTH AND THICKNESS REQUIREMENTS PER CURRENT FLORIDA BUILDING CODE AND TO BE REVIEWED BY THE AUTHORITY HAVING JURISDICTION.

10) REFERENCES: TEST REPORTS FTL 18-7835.1 & 18-7835.2; ELCO ULTRACON NOA; DEWALT/ELCO CRETEFLEX NOA; DEWALT ULTRACON + NOA; NATIONAL DESIGN SPECIFICATION FOR WOOD CONSTRUCTION, ANSI/AF&PA NDS & ALUMINUM DESIGN MANUAL

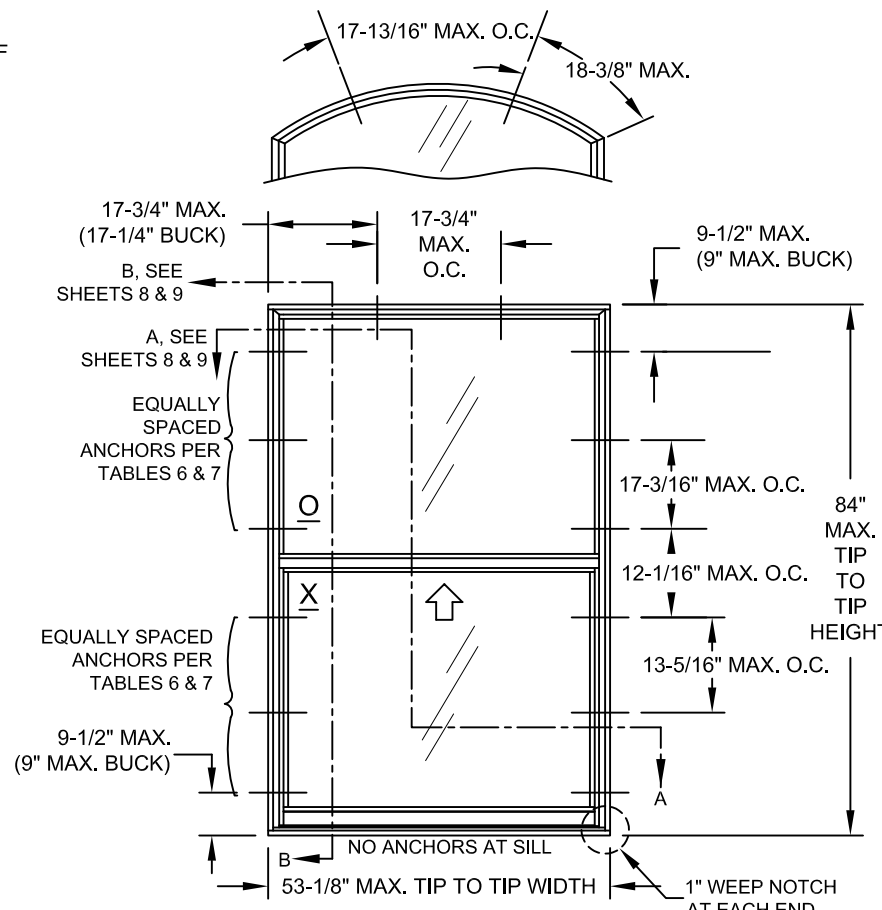
11) APPLICABLE EGRESS REQUIREMENTS TO BE REVIEWED BY BUILDING OFFICIAL.

12) FRAME FLANGES OR INTEGRAL FINNS MAY BE TRIMMED IN-FIELD TO CREATE AN EQUAL-LEG FRAME. THE EXPOSED ALUMINUM EDGE MUST BE PAINTED TO PROTECT AGAINST CORROSION.

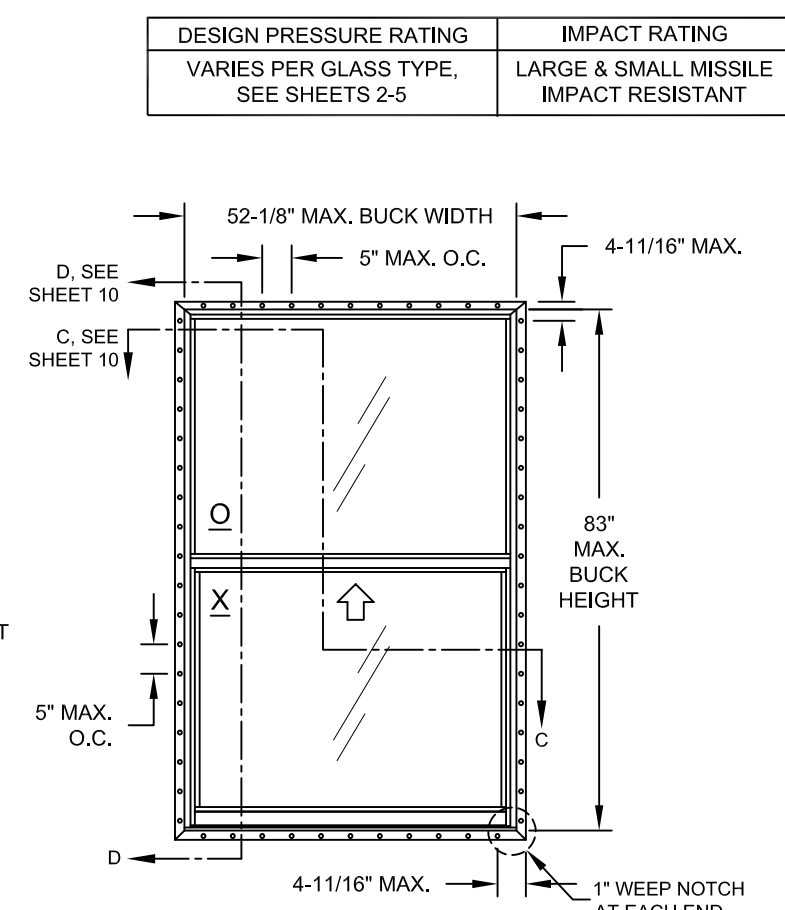
FIGURE A: ALLOWABLE SASH CONFIGURATIONS AND SHAPES



ALL SHAPES WITH ALL SASH CONFIGURATIONS ARE APPROVED. SHAPES MAY BE USED BY INSCRIBING THE SHAPE IN A BLOCK AND OBTAINING DESIGN PRESSURES AND ANCHORAGE FOR THAT BLOCK SIZE FROM THE TABLES ON THE FOLLOWING SHEETS.



ELEVATION FOR TYP. FLANGE FRAME SHOWN WITH EQUAL-LITE CONFIGURATION



ELEVATION FOR TYP. FIN FRAME SHOWN WITH EQUAL-LITE CONFIGURATION

DESIGN PRESSURE RATING	IMPACT RATING
VARIABLES PER GLASS TYPE, SEE SHEETS 2-5	LARGE & SMALL MISSILE IMPACT RESISTANT

TABLE 1: ALLOWABLE GLASS TYPES

Glass Type	Description (Listed from Exterior to Interior)	DP Table #
1	1/8" AN, .090" PVB, 1/8" AN	2
2	13/16" LIG: 1/8" AN CAP, AIRSPACE, 1/8" AN, .090" PVB, 1/8" AN	2
3	13/16" LIG: 1/8" TP CAP, AIRSPACE, 1/8" AN, .090" PVB, 1/8" AN	3
4	1/8" HS, .090" PVB, 1/8" HS	4
5	3/16" AN, .090" PVB, 3/16" AN	4
6	13/16" LIG: 3/16" AN CAP, AIRSPACE, 1/8" AN, .090" PVB, 1/8" AN	4
7	13/16" LIG: 3/16" TP CAP, AIRSPACE, 1/8" AN, .090" PVB, 1/8" AN	4
8	3/16" AN, .090" SG, 3/16" AN	5
9	3/16" HS, .090" SG, 3/16" HS	5
10	13/16" LIG: 1/8" AN CAP, AIRSPACE, 1/8" HS, .090" SG, 1/8" HS	5
11	13/16" LIG: 1/8" AN CAP, AIRSPACE, 3/16" AN, .090" SG, 3/16" AN	5
12	13/16" LIG: 1/8" TP CAP, AIRSPACE, 1/8" HS, .090" SG, 1/8" HS	5
13	13/16" LIG: 1/8" TP CAP, AIRSPACE, 3/16" AN, .090" SG, 3/16" AN	5
14	13/16" LIG: 3/16" AN CAP, AIRSPACE, 1/8" HS, .090" SG, 1/8" HS	5
15	13/16" LIG: 3/16" TP CAP, AIRSPACE, 1/8" HS, .090" SG, 1/8" HS	5

CODES / STANDARDS USED:

- 2023 FLORIDA BUILDING CODE (FBC), 8TH EDITION
- 2020 FLORIDA BUILDING CODE (FBC), 7TH EDITION
- ASTM E1300-09
- ANSI/AF&PA NDS-2018 FOR WOOD CONSTRUCTION
- ALUMINUM DESIGN MANUAL, ADM-2020
- AISI S100-16
- AISC 360-16

SG= KURARAY SENTRYGLAS® INTERLAYER BY KURARAY AMERICA, INC.
 PVB = KURARAY TROSFOL® PVB INTERLAYER BY KURARAY AMERICA, INC.
 AN = ANNEALED
 HS = HEAT-STRENGTHENED
 TP = TEMPERED

USER INSTRUCTIONS:

- 1) DETERMINE THE SITE SPECIFIC, WINDOW OPENING'S DESIGN PRESSURE REQUIREMENT FROM ASCE 7.
- 2) KNOWING YOUR GLAZING OPTION (TABLE 1), WINDOW CONFIGURATION AND SIZE, DETERMINE YOUR WINDOW'S DESIGN PRESSURE FROM TABLES 2-5. IT MUST EQUAL OR EXCEED THE DESIGN PRESSURE REQUIREMENT FOR THE WINDOW OPENING OBTAINED IN STEP 1.
- 3) DETERMINE THE ANCHOR QUANTITY FROM TABLES 6 & 7.
- 4) INSTALL AS PER SHEET 7 FOR FLANGE INSTALLATION, SHEET 8 FOR EQUAL LEG INSTALLATION OR SHEET 9 FOR INTEGRAL FIN INSTALLATION.

NOTE: DESIGN PRESSURE RATING DETERMINATION IS THE SAME PROCESS FOR ALL FRAME TYPES (FLANGE, INTEGRAL FIN OR EQUAL LEG/BOX).

GENERAL NOTES.....	1
ELEVATIONS.....	1
DESIGN PRESSURES / GLAZING DETAILS.....	2-4
ANCHOR QUANTITIES.....	5-6
INSTALLATION, FLANGE.....	7
INSTALLATION, EQUAL LEG.....	8
INSTALLATION, INTEGRAL FIN.....	9
EXTRUSION PROFILES.....	10
ASSEMBLY & PARTS LIST.....	11

PRODUCT RENEWED
 as complying with the Florida Building Code
 NOA-No. 23-0707.10
 Expiration Date 08/23/2028
 By Ishay L. Chandu
 Miami-Dade Product Control

Revision: B) UPDATED TO FBC 2023.
 LY - 06/06/23

PREPARED BY A. LYNN MILLER 1070 TECHNOLOGY DRIVE N. VENICE, FL 34275 (941) 480-1600	REGISTRATION #29296	Date	04/01/18	
		By	JENS ROSOWSKI	
PGI Custom Windows and Doors 1070 TECHNOLOGY DRIVE N. VENICE, FL 34275 (941) 480-1600	ALUMINUM SINGLE HUNG INSTALL. (LM)	GENERAL NOTES & ELEVATION	DWG No.	7700NOA-LM
			Sheet	1 OF 11
		Series	SH7700A	

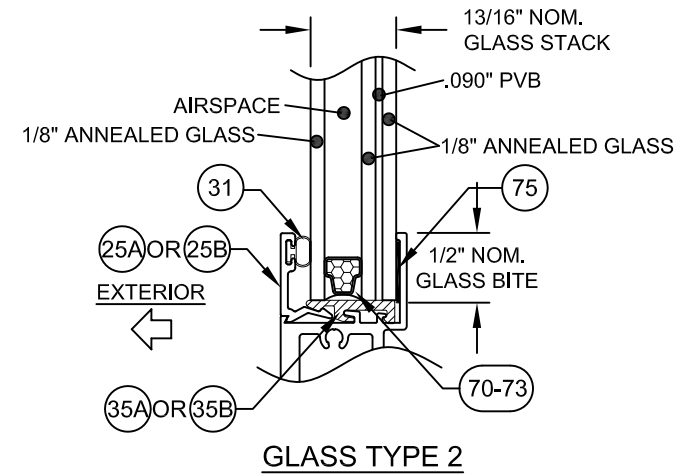
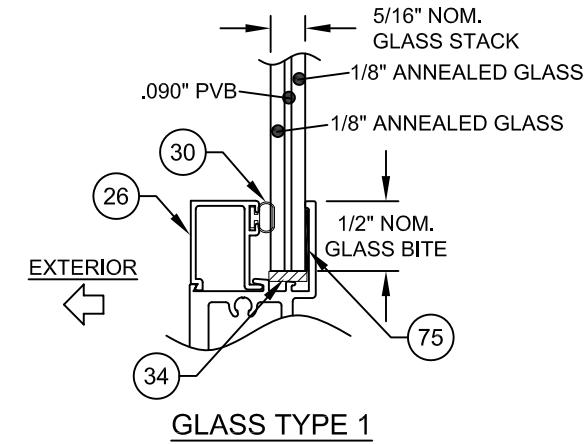
ANTHONY LYNN MILLER
 LICENSE
 No. 58705
 STATE OF FLORIDA
 PROFESSIONAL ENGINEER
 A. LYNN MILLER, P.E.
 P.E.# 58705

TABLE 2:

Tip to Tip Height	Bottom Sash Description for Given Range	Sash Height Range (in)	Design Pressure (lbs/ft ²) for Glass Types 1 & 2															
			Tip to Tip Width															
			18"		25"		33"		37"		41"		45"		49"		53-1/8"	
24"	Equal-lite	12.464	+65.0	-80.0	+65.0	-80.0	+65.0	-80.0	+65.0	-80.0	+65.0	-80.0	+65.0	-80.0	+65.0	-80.0	+65.0	-80.0
	Equal-lite	15.964	+65.0	-80.0	+65.0	-80.0	+65.0	-80.0	+65.0	-80.0	+65.0	-80.0	+65.0	-80.0	+65.0	-80.0	+65.0	-80.0
31"	Standard Preview	12.994 - 15.963	+65.0	-80.0	+65.0	-80.0	+65.0	-80.0	+65.0	-80.0	+65.0	-80.0	+65.0	-80.0	+65.0	-80.0	+65.0	-80.0
	Shortest	12.464 - 12.993	+65.0	-80.0	+65.0	-80.0	+65.0	-80.0	+65.0	-80.0	+65.0	-80.0	+65.0	-80.0	+65.0	-80.0	+65.0	-80.0
38-3/8"	Equal-lite	19.652	+65.0	-80.0	+65.0	-80.0	+65.0	-80.0	+65.0	-80.0	+65.0	-80.0	+65.0	-80.0	+65.0	-80.0	+65.0	-80.0
	Standard Preview	15.944 - 19.651	+65.0	-80.0	+65.0	-80.0	+65.0	-80.0	+65.0	-80.0	+65.0	-80.0	+65.0	-80.0	+65.0	-80.0	+65.0	-80.0
	Custom Size	15.131 - 15.943	+65.0	-80.0	+65.0	-80.0	+65.0	-80.0	+65.0	-80.0	+65.0	-80.0	+65.0	-80.0	+65.0	-80.0	+65.0	-80.0
	Custom Size	14.131 - 15.130	+65.0	-80.0	+65.0	-80.0	+65.0	-80.0	+65.0	-80.0	+65.0	-80.0	+65.0	-80.0	+65.0	-80.0	+65.0	-80.0
45"	Shortest	12.464 - 14.130	+65.0	-80.0	+65.0	-80.0	+65.0	-80.0	+65.0	-80.0	+65.0	-80.0	+65.0	-80.0	+65.0	-80.0	+65.0	-80.0
	Equal-lite	22.964	+65.0	-80.0	+65.0	-80.0	+65.0	-80.0	+65.0	-80.0	+65.0	-80.0	+65.0	-80.0	+65.0	-80.0	+65.0	-80.0
	Custom Size	20.131 - 22.963	+65.0	-80.0	+65.0	-80.0	+65.0	-80.0	+65.0	-80.0	+65.0	-80.0	+65.0	-80.0	+65.0	-80.0	+65.0	-80.0
	Standard Preview	18.594 - 20.130	+65.0	-80.0	+65.0	-80.0	+65.0	-80.0	+65.0	-80.0	+65.0	-80.0	+65.0	-80.0	+65.0	-80.0	+65.0	-80.0
	Custom Size	16.131 - 18.593	+65.0	-80.0	+65.0	-80.0	+65.0	-80.0	+65.0	-80.0	+65.0	-80.0	+65.0	-80.0	+65.0	-80.0	+65.0	-80.0
49"	Custom Size	15.131 - 16.130	+65.0	-80.0	+65.0	-80.0	+65.0	-80.0	+65.0	-80.0	+65.0	-80.0	+65.0	-80.0	+65.0	-80.0	+65.0	-80.0
	Custom Size	14.131 - 15.130	+65.0	-80.0	+65.0	-80.0	+65.0	-80.0	+65.0	-80.0	+65.0	-80.0	+65.0	-80.0	+65.0	-80.0	+65.0	-80.0
	Shortest	12.464 - 14.130	+65.0	-80.0	+65.0	-80.0	+65.0	-80.0	+65.0	-80.0	+65.0	-80.0	+65.0	-80.0	+65.0	-80.0	+65.0	-80.0
	Equal-lite	24.964	+65.0	-80.0	+65.0	-80.0	+65.0	-80.0	+65.0	-80.0	+65.0	-80.0	+65.0	-80.0	+65.0	-80.0	+65.0	-80.0
	Custom Size	22.131 - 24.963	+65.0	-80.0	+65.0	-80.0	+65.0	-80.0	+65.0	-80.0	+65.0	-80.0	+65.0	-80.0	+65.0	-80.0	+65.0	-80.0
50-5/8"	Standard Preview	20.194 - 22.130	+65.0	-80.0	+65.0	-80.0	+65.0	-80.0	+65.0	-80.0	+65.0	-80.0	+65.0	-80.0	+65.0	-80.0	+65.0	-80.0
	Custom Size	18.131 - 20.193	+65.0	-80.0	+65.0	-80.0	+65.0	-80.0	+65.0	-80.0	+65.0	-80.0	+65.0	-80.0	+65.0	-80.0	+65.0	-80.0
	Custom Size	16.131 - 18.130	+65.0	-80.0	+65.0	-80.0	+65.0	-80.0	+65.0	-80.0	+65.0	-80.0	+65.0	-80.0	+65.0	-80.0	+65.0	-80.0
	Custom Size	14.131 - 16.130	+65.0	-80.0	+65.0	-80.0	+65.0	-80.0	+65.0	-80.0	+65.0	-80.0	+65.0	-80.0	+65.0	-80.0	+65.0	-77.6
	Shortest	12.464 - 14.130	+65.0	-80.0	+65.0	-80.0	+65.0	-80.0	+65.0	-80.0	+65.0	-80.0	+65.0	-80.0	+65.0	-80.0	+65.0	-75.1
	Equal-lite	25.777	+65.0	-80.0	+65.0	-80.0	+65.0	-80.0	+65.0	-80.0	+65.0	-80.0	+65.0	-80.0	+65.0	-80.0	+65.0	-80.0
63"	Custom Size	24.131 - 25.776	+65.0	-80.0	+65.0	-80.0	+65.0	-80.0	+65.0	-80.0	+65.0	-80.0	+65.0	-80.0	+65.0	-80.0	+65.0	-80.0
	Standard Preview	20.844 - 24.130	+65.0	-80.0	+65.0	-80.0	+65.0	-80.0	+65.0	-80.0	+65.0	-80.0	+65.0	-80.0	+65.0	-80.0	+65.0	-80.0
	Custom Size	20.131 - 20.843	+65.0	-80.0	+65.0	-80.0	+65.0	-80.0	+65.0	-80.0	+65.0	-80.0	+65.0	-80.0	+65.0	-80.0	+65.0	-80.0
	Custom Size	18.131 - 20.130	+65.0	-80.0	+65.0	-80.0	+65.0	-80.0	+65.0	-80.0	+65.0	-80.0	+65.0	-80.0	+65.0	-80.0	+65.0	-80.0
	Custom Size	16.131 - 18.130	+65.0	-80.0	+65.0	-80.0	+65.0	-80.0	+65.0	-80.0	+65.0	-80.0	+65.0	-80.0	+65.0	-80.0	+65.0	-77.6
	Custom Size	14.131 - 16.130	+65.0	-80.0	+65.0	-80.0	+65.0	-80.0	+65.0	-80.0	+65.0	-80.0	+65.0	-80.0	+65.0	-80.0	+65.0	-75.1
	Shortest	12.464 - 14.130	+65.0	-80.0	+65.0	-80.0	+65.0	-80.0	+65.0	-80.0	+65.0	-80.0	+65.0	-80.0	+65.0	-80.0	+65.0	-73.9
	Equal-lite	31.964	+65.0	-80.0	+65.0	-80.0	+65.0	-80.0	+65.0	-80.0	+65.0	-80.0	+65.0	-80.0	+65.0	-80.0	+65.0	-80.0
76"	Custom Size	28.131 - 31.963	+65.0	-80.0	+65.0	-80.0	+65.0	-80.0	+65.0	-80.0	+65.0	-80.0	+65.0	-80.0	+65.0	-80.0	+65.0	-77.6
	Standard Preview	25.794 - 28.130	+65.0	-80.0	+65.0	-80.0	+65.0	-80.0	+65.0	-80.0	+65.0	-80.0	+65.0	-80.0	+65.0	-80.0	+65.0	-73.9
	Custom Size	24.131 - 25.793	+65.0	-80.0	+65.0	-80.0	+65.0	-80.0	+65.0	-80.0	+65.0	-80.0	+65.0	-80.0	+65.0	-80.0	+65.0	-72.7
	Custom Size	22.131 - 24.130	+65.0	-80.0	+65.0	-80.0	+65.0	-80.0	+65.0	-80.0	+65.0	-80.0	+65.0	-80.0	+65.0	-78.8	+65.0	-70.5
	Custom Size	20.131 - 22.130	+65.0	-80.0	+65.0	-80.0	+65.0	-80.0	+65.0	-80.0	+65.0	-80.0	+65.0	-80.0	+65.0	-77.1	+65.0	-68.4
	Custom Size	18.131 - 20.130	+65.0	-80.0	+65.0	-80.0	+65.0	-80.0	+65.0	-80.0	+65.0	-80.0	+65.0	-80.0	+65.0	-75.4	+65.0	-66.5
	Custom Size	16.131 - 18.130	+65.0	-80.0	+65.0	-80.0	+65.0	-80.0	+65.0	-80.0	+65.0	-80.0	+65.0	-77.1	+65.0	-73.8	+64.7	-64.7
	Shortest	13.194* - 16.130	+65.0	-80.0	+65.0	-80.0	+65.0	-80.0	+65.0	-80.0	+65.0	-75.9	+65.0	-71.8	+65.0	-68.2	+62.3	-62.3
84"	Equal-lite	38.464	+65.0	-80.0	+65.0	-80.0	+65.0	-80.0	+65.0	-80.0	+65.0	-80.0	+65.0	-80.0	+65.0	-80.0	+65.0	-73.9
	Custom Size	36.131 - 38.463	+65.0	-80.0	+65.0	-80.0	+65.0	-80.0	+65.0	-80.0	+65.0	-80.0	+65.0	-80.0	+65.0	-79.8	+65.0	-71.6
	Custom Size	34.131 - 36.130	+65.0	-80.0	+65.0	-80.0	+65.0	-80.0	+65.0	-80.0	+65.0	-80.0	+65.0	-80.0	+65.0	-77.9	+65.0	-69.4
	Standard Preview	30.994 - 34.130	+65.0	-80.0	+65.0	-80.0	+65.0	-80.0	+65.0	-80.0	+65.0	-80.0	+65.0	-80.0	+65.0	-75.4	+65.0	-66.5
	Custom Size	30.131 - 30.993	+65.0	-80.0	+65.0	-80.0	+65.0	-80.0	+65.0	-80.0	+65.0	-80.0	+65.0	-78.9	+65.0	-74.6	+65.0	-65.6
84"	Custom Size	28.131 - 30.130	+65.0	-80.0	+65.0	-80.0	+65.0	-80.0	+65.0	-80.0	+65.0	-79.1	+65.0	-75.3	+65.0	-71.9	+63.8	-63.8
	Shortest	26.194* - 28.130	+65.0	-80.0	+65.0	-80.0	+65.0	-80.0	+65.0	-80.0	+65.0	-75.9	+65.0	-71.8	+65.0	-68.2	+62.3	-62.3
84"	Equal-lite	42.464	+65.0	-80.0	+65.0	-80.0	+65.0	-80.0	+65.0	-80.0	+65.0	-80.0	+65.0	-80.0	+65.0	-77.9	+65.0	-69.4
	Custom Size	38.131 - 42.463	+65.0	-80.0	+65.0	-80.0	+65.0	-80.0	+65.0	-80.0	+65.0	-80.0	+65.0	-78.9	+65.0	-74.6	+65.0	-65.6
84"	Standard Preview	34.194* - 38.130	+65.0	-80.0	+65.0	-80.0	+65.0	-80.0	+65.0	-80.0	+65.0	-75.9	+65.0	-71.8	+65.0	-68.2	+62.3	-62.3


* MINIMUM SASH HEIGHT FOR FLANGED WINDOWS IS: TIP TO TIP HEIGHT - 49.391
 MINIMUM SASH HEIGHT FOR INTEGRAL FIN AND EQUAL LEG WINDOWS IS: BUCK HEIGHT - 48.391
 MINIMUM SASH HEIGHT FOR FLANGED, RADIUS TOP WINDOWS IS: TIP TO TIP HEIGHT - 49.806
 MINIMUM SASH HEIGHT FOR INTEGRAL FIN AND EQUAL LEG, RADIUS TOP WINDOWS IS: BUCK HEIGHT - 48.806

- 1) TIP TO TIP DIMENSIONS SHOWN. FOR INTEGRAL FIN AND EQUAL-LEG WINDOWS, SUBTRACT 1" FROM THE TIP TO TIP DIMENSION IN THE TABLE TO DETERMINE THE WINDOW SIZE.
- 2) FOR SIZES NOT SHOWN, ROUND UP TO THE NEXT AVAILABLE SIZE.
- 3) FOR RADIUS TOP WINDOWS, FIND THE SMALLEST WINDOW SIZE IN THE TABLE ABOVE WHICH THE RADIUS TOP WINDOW WILL COMPLETELY FIT WITHIN.
- 4) WINDOWS WITH THE LOW SILL OPTION ARE LIMITED TO A MAXIMUM POSITIVE DESIGN PRESSURE OF +65 PSF. NEGATIVE DESIGN PRESSURES ARE UNAFFECTED.



PRODUCT RENEWED
 as complying with the Florida
 Building Code
 NOA-No. 23-0707.10
 Expiration Date 08/23/2028
 By Ishay I. Chand
 Miami-Dade Product Control

Revision: B) NO CHANGES THIS SHEET.
 LY - 06/06/23

PREPARED BY A. LYNN MILLER 1070 TECHNOLOGY DRIVE N. VENICE, FL 34275 (941) 480-1600	REGISTRATION #29296	Date	04/01/18
		Drawn By	JENS ROSOWSKI
 Custom Windows and Doors 1070 TECHNOLOGY DRIVE N. VENICE, FL 34275 (941) 480-1600	ALUMINUM SINGLE HUNG INSTALL. (LM)	DWG No.	7700NOA-LM
		Sheet	2 OF 11
DP TABLE		Series	SH7700A

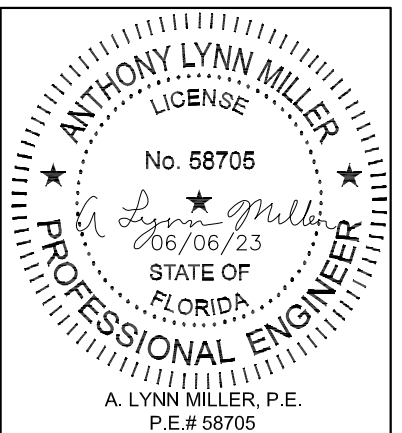
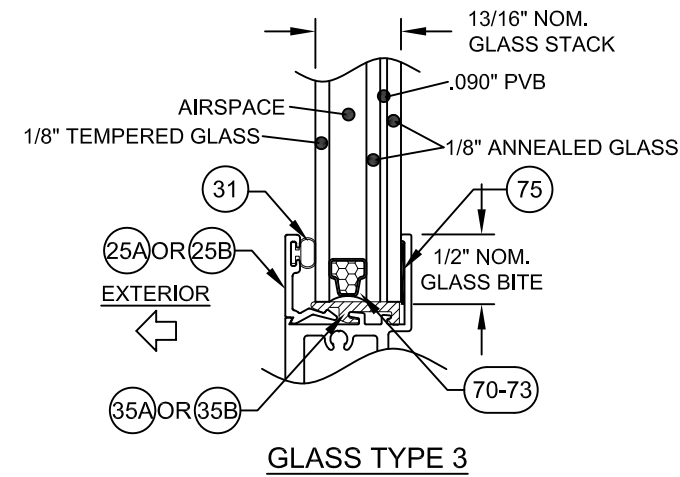


TABLE 3:

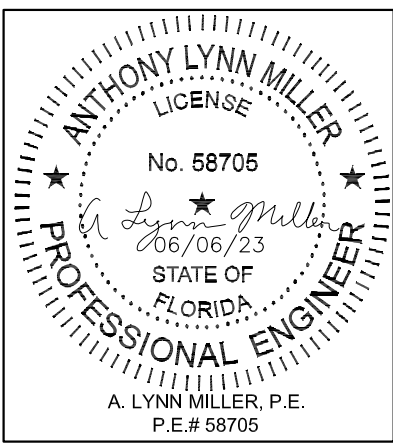
Tip to Tip Height	Bottom Sash Description for Given Range	Sash Height Range (in)	Design Pressure (lbs/ft ²) for Glass Type 3															
			Tip to Tip Width															
			18"		25"		33"		37"		41"		45"		49"		53-1/8"	
24"	Equal-lite	12.464	+65.0	-80.0	+65.0	-80.0	+65.0	-80.0	+65.0	-80.0	+65.0	-80.0	+65.0	-80.0	+65.0	-80.0	+65.0	-80.0
	Equal-lite	15.964	+65.0	-80.0	+65.0	-80.0	+65.0	-80.0	+65.0	-80.0	+65.0	-80.0	+65.0	-80.0	+65.0	-80.0	+65.0	-80.0
31"	Standard Preview	12.994 - 15.963	+65.0	-80.0	+65.0	-80.0	+65.0	-80.0	+65.0	-80.0	+65.0	-80.0	+65.0	-80.0	+65.0	-80.0	+65.0	-80.0
	Shortest	12.464 - 12.993	+65.0	-80.0	+65.0	-80.0	+65.0	-80.0	+65.0	-80.0	+65.0	-80.0	+65.0	-80.0	+65.0	-80.0	+65.0	-80.0
	Equal-lite	19.652	+65.0	-80.0	+65.0	-80.0	+65.0	-80.0	+65.0	-80.0	+65.0	-80.0	+65.0	-80.0	+65.0	-80.0	+65.0	-80.0
38-3/8"	Standard Preview	15.944 - 19.651	+65.0	-80.0	+65.0	-80.0	+65.0	-80.0	+65.0	-80.0	+65.0	-80.0	+65.0	-80.0	+65.0	-80.0	+65.0	-80.0
	Custom Size	15.131 - 15.943	+65.0	-80.0	+65.0	-80.0	+65.0	-80.0	+65.0	-80.0	+65.0	-80.0	+65.0	-80.0	+65.0	-80.0	+65.0	-80.0
	Custom Size	14.131 - 15.130	+65.0	-80.0	+65.0	-80.0	+65.0	-80.0	+65.0	-80.0	+65.0	-80.0	+65.0	-80.0	+65.0	-80.0	+65.0	-80.0
	Shortest	12.464 - 14.130	+65.0	-80.0	+65.0	-80.0	+65.0	-80.0	+65.0	-80.0	+65.0	-80.0	+65.0	-80.0	+65.0	-80.0	+65.0	-80.0
45"	Equal-lite	22.964	+65.0	-80.0	+65.0	-80.0	+65.0	-80.0	+65.0	-80.0	+65.0	-80.0	+65.0	-80.0	+65.0	-80.0	+65.0	-80.0
	Custom Size	20.131 - 22.963	+65.0	-80.0	+65.0	-80.0	+65.0	-80.0	+65.0	-80.0	+65.0	-80.0	+65.0	-80.0	+65.0	-80.0	+65.0	-80.0
	Standard Preview	18.594 - 20.130	+65.0	-80.0	+65.0	-80.0	+65.0	-80.0	+65.0	-80.0	+65.0	-80.0	+65.0	-80.0	+65.0	-80.0	+65.0	-80.0
	Custom Size	16.131 - 18.593	+65.0	-80.0	+65.0	-80.0	+65.0	-80.0	+65.0	-80.0	+65.0	-80.0	+65.0	-80.0	+65.0	-80.0	+65.0	-80.0
	Custom Size	15.131 - 16.130	+65.0	-80.0	+65.0	-80.0	+65.0	-80.0	+65.0	-80.0	+65.0	-80.0	+65.0	-80.0	+65.0	-80.0	+65.0	-80.0
	Custom Size	14.131 - 15.130	+65.0	-80.0	+65.0	-80.0	+65.0	-80.0	+65.0	-80.0	+65.0	-80.0	+65.0	-80.0	+65.0	-80.0	+65.0	-80.0
49"	Shortest	12.464 - 14.130	+65.0	-80.0	+65.0	-80.0	+65.0	-80.0	+65.0	-80.0	+65.0	-80.0	+65.0	-80.0	+65.0	-80.0	+65.0	-80.0
	Equal-lite	24.964	+65.0	-80.0	+65.0	-80.0	+65.0	-80.0	+65.0	-80.0	+65.0	-80.0	+65.0	-80.0	+65.0	-80.0	+65.0	-80.0
50-5/8"	Custom Size	22.131 - 24.963	+65.0	-80.0	+65.0	-80.0	+65.0	-80.0	+65.0	-80.0	+65.0	-80.0	+65.0	-80.0	+65.0	-80.0	+65.0	-80.0
	Standard Preview	20.194 - 22.130	+65.0	-80.0	+65.0	-80.0	+65.0	-80.0	+65.0	-80.0	+65.0	-80.0	+65.0	-80.0	+65.0	-80.0	+65.0	-80.0
	Custom Size	18.131 - 20.193	+65.0	-80.0	+65.0	-80.0	+65.0	-80.0	+65.0	-80.0	+65.0	-80.0	+65.0	-80.0	+65.0	-80.0	+65.0	-80.0
	Custom Size	16.131 - 18.130	+65.0	-80.0	+65.0	-80.0	+65.0	-80.0	+65.0	-80.0	+65.0	-80.0	+65.0	-80.0	+65.0	-80.0	+65.0	-80.0
	Custom Size	14.131 - 16.130	+65.0	-80.0	+65.0	-80.0	+65.0	-80.0	+65.0	-80.0	+65.0	-80.0	+65.0	-80.0	+65.0	-80.0	+65.0	-80.0
	Shortest	12.464 - 14.130	+65.0	-80.0	+65.0	-80.0	+65.0	-80.0	+65.0	-80.0	+65.0	-80.0	+65.0	-80.0	+65.0	-80.0	+65.0	-80.0
	Equal-lite	25.777	+65.0	-80.0	+65.0	-80.0	+65.0	-80.0	+65.0	-80.0	+65.0	-80.0	+65.0	-80.0	+65.0	-80.0	+65.0	-80.0
63"	Custom Size	24.131 - 25.776	+65.0	-80.0	+65.0	-80.0	+65.0	-80.0	+65.0	-80.0	+65.0	-80.0	+65.0	-80.0	+65.0	-80.0	+65.0	-80.0
	Standard Preview	20.844 - 24.130	+65.0	-80.0	+65.0	-80.0	+65.0	-80.0	+65.0	-80.0	+65.0	-80.0	+65.0	-80.0	+65.0	-80.0	+65.0	-80.0
	Custom Size	20.131 - 20.843	+65.0	-80.0	+65.0	-80.0	+65.0	-80.0	+65.0	-80.0	+65.0	-80.0	+65.0	-80.0	+65.0	-80.0	+65.0	-80.0
	Custom Size	18.131 - 20.130	+65.0	-80.0	+65.0	-80.0	+65.0	-80.0	+65.0	-80.0	+65.0	-80.0	+65.0	-80.0	+65.0	-80.0	+65.0	-80.0
	Custom Size	16.131 - 18.130	+65.0	-80.0	+65.0	-80.0	+65.0	-80.0	+65.0	-80.0	+65.0	-80.0	+65.0	-80.0	+65.0	-80.0	+65.0	-80.0
	Custom Size	14.131 - 16.130	+65.0	-80.0	+65.0	-80.0	+65.0	-80.0	+65.0	-80.0	+65.0	-80.0	+65.0	-80.0	+65.0	-80.0	+65.0	-80.0
	Shortest	12.464 - 14.130	+65.0	-80.0	+65.0	-80.0	+65.0	-80.0	+65.0	-80.0	+65.0	-80.0	+65.0	-80.0	+65.0	-80.0	+65.0	-80.0
	Equal-lite	31.964	+65.0	-80.0	+65.0	-80.0	+65.0	-80.0	+65.0	-80.0	+65.0	-80.0	+65.0	-80.0	+65.0	-80.0	+65.0	-80.0
76"	Custom Size	28.131 - 31.963	+65.0	-80.0	+65.0	-80.0	+65.0	-80.0	+65.0	-80.0	+65.0	-80.0	+65.0	-80.0	+65.0	-80.0	+65.0	-80.0
	Standard Preview	25.794 - 28.130	+65.0	-80.0	+65.0	-80.0	+65.0	-80.0	+65.0	-80.0	+65.0	-80.0	+65.0	-80.0	+65.0	-80.0	+65.0	-80.0
	Custom Size	24.131 - 25.793	+65.0	-80.0	+65.0	-80.0	+65.0	-80.0	+65.0	-80.0	+65.0	-80.0	+65.0	-80.0	+65.0	-80.0	+65.0	-80.0
	Custom Size	22.131 - 24.130	+65.0	-80.0	+65.0	-80.0	+65.0	-80.0	+65.0	-80.0	+65.0	-80.0	+65.0	-80.0	+65.0	-80.0	+65.0	-80.0
	Custom Size	20.131 - 22.130	+65.0	-80.0	+65.0	-80.0	+65.0	-80.0	+65.0	-80.0	+65.0	-80.0	+65.0	-80.0	+65.0	-80.0	+65.0	-78.0
	Custom Size	18.131 - 20.130	+65.0	-80.0	+65.0	-80.0	+65.0	-80.0	+65.0	-80.0	+65.0	-80.0	+65.0	-80.0	+65.0	-80.0	+65.0	-75.8
	Custom Size	16.131 - 18.130	+65.0	-80.0	+65.0	-80.0	+65.0	-80.0	+65.0	-80.0	+65.0	-80.0	+65.0	-80.0	+65.0	-80.0	+65.0	-73.8
	Shortest	13.194* - 16.130	+65.0	-80.0	+65.0	-80.0	+65.0	-80.0	+65.0	-80.0	+65.0	-80.0	+65.0	-80.0	+65.0	-77.7	+65.0	-71.0
84"	Equal-lite	38.464	+65.0	-80.0	+65.0	-80.0	+65.0	-80.0	+65.0	-80.0	+65.0	-80.0	+65.0	-80.0	+65.0	-80.0	+65.0	-80.0
	Custom Size	36.131 - 38.463	+65.0	-80.0	+65.0	-80.0	+65.0	-80.0	+65.0	-80.0	+65.0	-80.0	+65.0	-80.0	+65.0	-80.0	+65.0	-80.0
	Custom Size	34.131 - 36.130	+65.0	-80.0	+65.0	-80.0	+65.0	-80.0	+65.0	-80.0	+65.0	-80.0	+65.0	-80.0	+65.0	-80.0	+65.0	-79.1
	Standard Preview	30.994 - 34.130	+65.0	-80.0	+65.0	-80.0	+65.0	-80.0	+65.0	-80.0	+65.0	-80.0	+65.0	-80.0	+65.0	-80.0	+65.0	-75.8
	Custom Size	30.131 - 30.993	+65.0	-80.0	+65.0	-80.0	+65.0	-80.0	+65.0	-80.0	+65.0	-80.0	+65.0	-80.0	+65.0	-80.0	+65.0	-74.8
	Custom Size	28.131 - 30.130	+65.0	-80.0	+65.0	-80.0	+65.0	-80.0	+65.0	-80.0	+65.0	-80.0	+65.0	-80.0	+65.0	-80.0	+65.0	-72.7
84"	Shortest	26.194* - 28.130	+65.0	-80.0	+65.0	-80.0	+65.0	-80.0	+65.0	-80.0	+65.0	-80.0	+65.0	-80.0	+65.0	-77.7	+65.0	-71.0
	Equal-lite	42.464	+65.0	-80.0	+65.0	-80.0	+65.0	-80.0	+65.0	-80.0	+65.0	-80.0	+65.0	-80.0	+65.0	-80.0	+65.0	-79.1
	Custom Size	38.131 - 42.463	+65.0	-80.0	+65.0	-80.0	+65.0	-80.0	+65.0	-80.0	+65.0	-80.0	+65.0	-80.0	+65.0	-80.0	+65.0	-74.8
Standard Preview	34.194* - 38.130	+65.0	-80.0	+65.0	-80.0	+65.0	-80.0	+65.0	-80.0	+65.0	-80.0	+65.0	-80.0	+65.0	-77.7	+65.0	-71.0	



PRODUCT RENEWED
as complying with the Florida
Building Code
NOA-No. 23-0707.10
Expiration Date 08/23/2028
By Isheq I. Chand
Miami-Dade Product Control

Revision: B) NO CHANGES THIS SHEET.
LY - 06/06/23

PGT Custom Windows and Doors 1070 TECHNOLOGY DRIVE N. VENICE, FL 34275 (941) 480-1600	REGISTRATION #29296 ALUMINUM SINGLE HUNG INSTALL. (LM)	Date	04/01/18
		By	JENS ROSOWSKI
		No.	7700NOA-LM
		Sheet	3 OF 11
		Series	SH7700A



* MINIMUM SASH HEIGHT FOR FLANGED WINDOWS IS: TIP TO TIP HEIGHT - 49.391
MINIMUM SASH HEIGHT FOR INTEGRAL FIN AND EQUAL LEG WINDOWS IS: BUCK HEIGHT - 48.391
MINIMUM SASH HEIGHT FOR FLANGED, RADIUS TOP WINDOWS IS: TIP TO TIP HEIGHT - 49.806
MINIMUM SASH HEIGHT FOR INTEGRAL FIN AND EQUAL LEG, RADIUS TOP WINDOWS IS: BUCK HEIGHT - 48.806

- 1) TIP TO TIP DIMENSIONS SHOWN. FOR INTEGRAL FIN AND EQUAL-LEG WINDOWS, SUBTRACT 1" FROM THE TIP TO TIP DIMENSION IN THE TABLE TO DETERMINE THE WINDOW SIZE.
- 2) FOR SIZES NOT SHOWN, ROUND UP TO THE NEXT AVAILABLE SIZE.
- 3) FOR RADIUS TOP WINDOWS, FIND THE SMALLEST WINDOW SIZE IN THE TABLE ABOVE WHICH THE RADIUS TOP WINDOW WILL COMPLETELY FIT WITHIN.
- 4) WINDOWS WITH THE LOW SILL OPTION ARE LIMITED TO A MAXIMUM POSITIVE DESIGN PRESSURE OF +65 PSF. NEGATIVE DESIGN PRESSURES ARE UNAFFECTED.

TABLE 4:

Design Pressure (lbs/ft ²) for Glass Types 4-7			
Tip To Tip Height	Bottom Sash Description for Given Range	Sash Height Range (in)	Tip To Tip Width
			53-1/8"
24"	Equal-lite	12.464	+65.0 -80.0
	Equal-lite	15.964	+65.0 -80.0
31"	Standard Proview	12.994 - 15.963	+65.0 -80.0
	Shortest	12.464 - 12.993	+65.0 -80.0
38-3/8"	Equal-lite	19.652	+65.0 -80.0
	Standard Proview	15.944 - 19.651	+65.0 -80.0
	Custom Size	15.131 - 15.943	+65.0 -80.0
	Custom Size	14.131 - 15.130	+65.0 -80.0
45"	Equal-lite	22.964	+65.0 -80.0
	Custom Size	20.131 - 22.963	+65.0 -80.0
	Standard Proview	18.594 - 20.130	+65.0 -80.0
	Custom Size	16.131 - 18.593	+65.0 -80.0
49"	Equal-lite	24.964	+65.0 -80.0
	Custom Size	22.131 - 24.963	+65.0 -80.0
	Standard Proview	20.194 - 22.130	+65.0 -80.0
	Custom Size	18.131 - 20.193	+65.0 -80.0
50-5/8"	Equal-lite	25.777	+65.0 -80.0
	Custom Size	24.131 - 25.776	+65.0 -80.0
	Standard Proview	20.844 - 24.130	+65.0 -80.0
	Custom Size	18.131 - 20.843	+65.0 -80.0
63"	Equal-lite	31.964	+65.0 -80.0
	Custom Size	28.131 - 31.963	+65.0 -80.0
	Standard Proview	25.794 - 28.130	+65.0 -80.0
	Custom Size	24.131 - 25.793	+65.0 -80.0
76"	Equal-lite	38.464	+65.0 -80.0
	Custom Size	36.131 - 38.463	+65.0 -80.0
	Standard Proview	34.131 - 36.130	+65.0 -80.0
	Custom Size	30.131 - 30.993	+65.0 -80.0
84"	Equal-lite	42.464	+65.0 -80.0
	Standard Proview	34.194* - 38.130	+65.0 -80.0

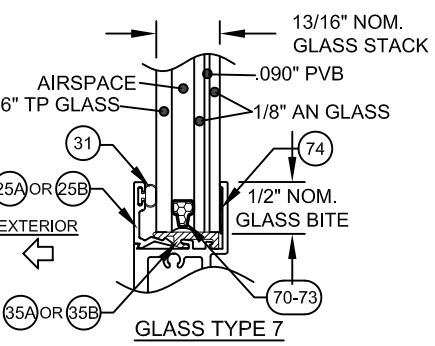
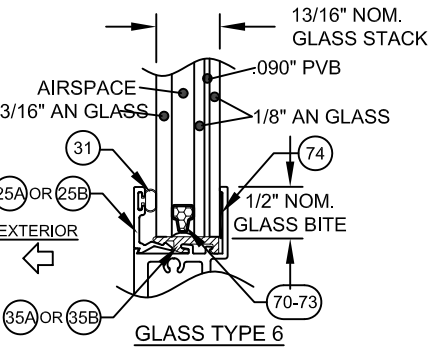
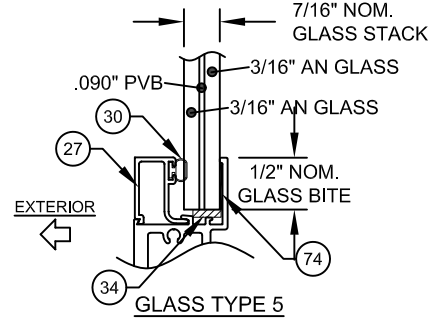
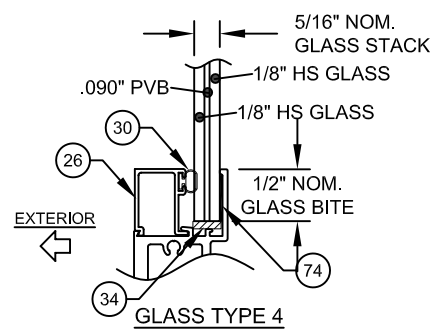
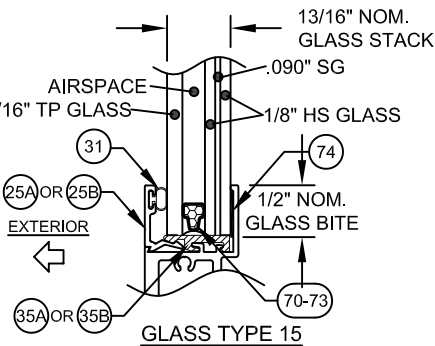
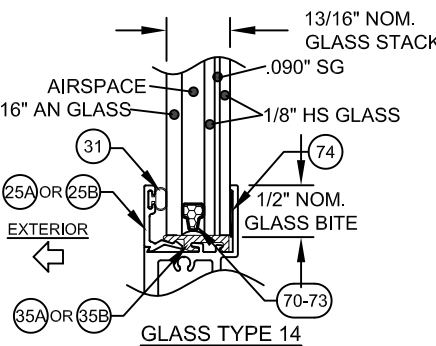
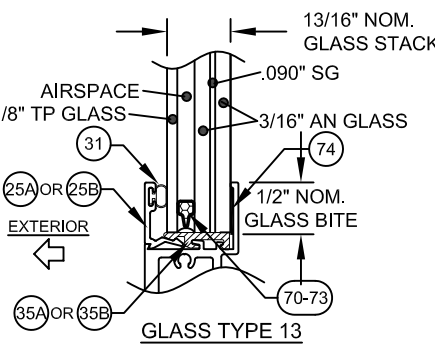
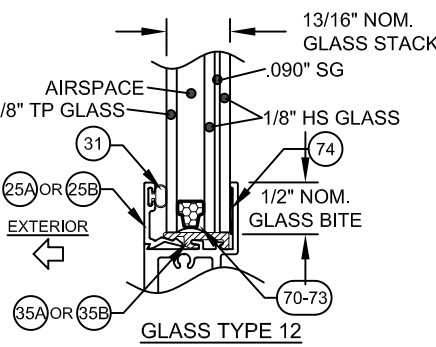
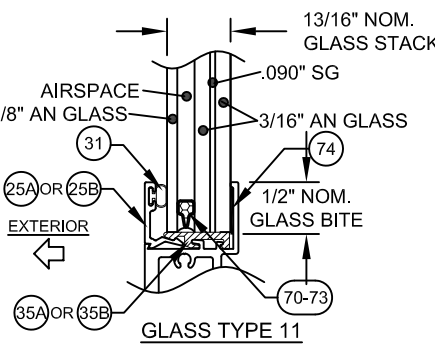
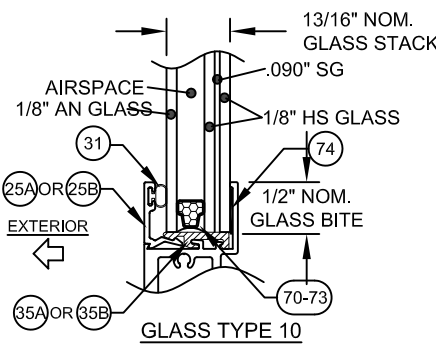
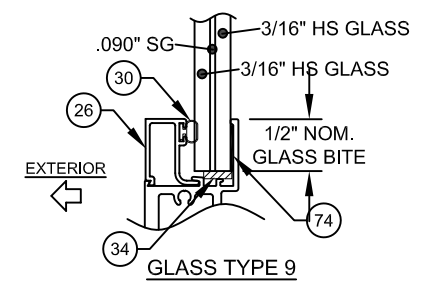
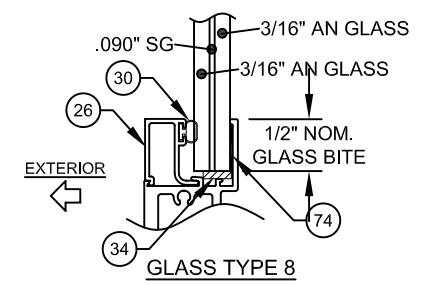


TABLE 5:

Design Pressure for Glass Types 8-15			
Tip To Tip Height	Bottom Sash Description for Given Range	Sash Height Range (in)	Tip To Tip Width
			53-1/8"
24"	Equal-lite	12.464	+80.0 -110.0
	Equal-lite	15.964	+80.0 -110.0
31"	Standard Proview	12.994 - 15.963	+80.0 -110.0
	Shortest	12.464 - 12.993	+80.0 -110.0
38-3/8"	Equal-lite	19.652	+80.0 -110.0
	Standard Proview	15.944 - 19.651	+80.0 -110.0
	Custom Size	15.131 - 15.943	+80.0 -110.0
	Custom Size	14.131 - 15.130	+80.0 -110.0
45"	Equal-lite	22.964	+80.0 -110.0
	Custom Size	20.131 - 22.963	+80.0 -110.0
	Standard Proview	18.594 - 20.130	+80.0 -110.0
	Custom Size	16.131 - 18.593	+80.0 -110.0
49"	Equal-lite	24.964	+80.0 -110.0
	Custom Size	22.131 - 24.963	+80.0 -110.0
	Standard Proview	20.194 - 22.130	+80.0 -110.0
	Custom Size	18.131 - 20.193	+80.0 -110.0
50-5/8"	Equal-lite	25.777	+80.0 -110.0
	Custom Size	24.131 - 25.776	+80.0 -110.0
	Standard Proview	20.844 - 24.130	+80.0 -110.0
	Custom Size	18.131 - 20.843	+80.0 -110.0
63"	Equal-lite	31.964	+80.0 -110.0
	Custom Size	28.131 - 31.963	+80.0 -110.0
	Standard Proview	25.794 - 28.130	+80.0 -110.0
	Custom Size	24.131 - 25.793	+80.0 -110.0
76"	Equal-lite	38.464	+80.0 -110.0
	Custom Size	36.131 - 38.463	+80.0 -110.0
	Standard Proview	34.131 - 36.130	+80.0 -110.0
	Custom Size	30.131 - 30.993	+80.0 -110.0
84"	Equal-lite	42.464	+80.0 -110.0
	Standard Proview	34.194* - 38.130	+80.0 -110.0




* MINIMUM SASH HEIGHT FOR FLANGED WINDOWS IS: TIP TO TIP HEIGHT - 49.391
 MINIMUM SASH HEIGHT FOR INTEGRAL FIN AND EQUAL LEG WINDOWS IS: BUCK HEIGHT - 48.391
 MINIMUM SASH HEIGHT FOR FLANGED, RADIUS TOP WINDOWS IS: TIP TO TIP HEIGHT - 49.806
 MINIMUM SASH HEIGHT FOR INTEGRAL FIN AND EQUAL LEG, RADIUS TOP WINDOWS IS: BUCK HEIGHT - 48.806

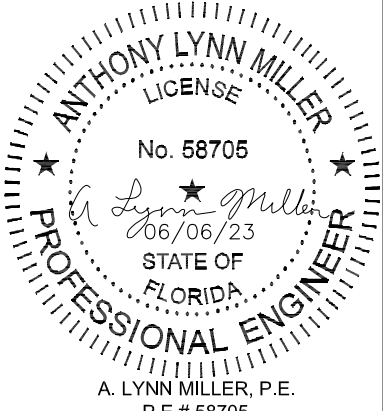
- 1) TIP TO TIP DIMENSIONS SHOWN. FOR INTEGRAL FIN AND EQUAL-LEG WINDOWS, SUBTRACT 1" FROM THE TIP TO TIP DIMENSION IN THE TABLE TO DETERMINE THE WINDOW SIZE.
- 2) FOR SIZES NOT SHOWN, ROUND UP TO THE NEXT AVAILABLE SIZE.
- 3) FOR RADIUS TOP WINDOWS, FIND THE SMALLEST WINDOW SIZE IN THE TABLE ABOVE WHICH THE RADIUS TOP WINDOW WILL COMPLETELY FIT WITHIN.
- 4) WINDOWS WITH THE LOW SILL OPTION ARE LIMITED TO A MAXIMUM POSITIVE DESIGN PRESSURE OF +65 PSF. NEGATIVE DESIGN PRESSURES ARE UNAFFECTED.

AN= ANNEALED
 TP= TEMPERED
 HS= HEAT STRENGTHENED

PRODUCT RENEWED
 as complying with the Florida Building Code
 NOA-No. 23-0707.10
 Expiration Date 08/23/2028
 By Ishay I. Chand
 Miami-Dade Product Control

B) NO CHANGES THIS SHEET.
 Revision: LY - 06/06/23

PREPARED BY A. LYNN MILLER 1070 TECHNOLOGY DRIVE N. VENICE, FL 34275 (941) 480-1600	REGISTRATION #29296	Date	04/01/18
		By	JENS ROSOWSKI
 Custom Windows and Doors 1070 TECHNOLOGY DRIVE N. VENICE, FL 34275 (941) 480-1600	ALUMINUM SINGLE HUNG INSTALL. (LM)	DWG No.	7700NOA-LM
		Sheet	4 OF 11
DP TABLE		Series	SH7700A



ANTHONY LYNN MILLER
 LICENSE
 No. 58705
 06/06/23
 STATE OF FLORIDA
 PROFESSIONAL ENGINEER
 A. LYNN MILLER, P.E.
 P.E.# 58705

TABLE 6:

Anchor Quantities Required for "Through-Frame" Installation using Glass Types 1-7			Tip to Tip Width																										
			18"			25"			33"			37"			41"			45"			49"			53-1/8"					
			Jamb	Header	MR	Jamb	Header	MR	Jamb	Header	MR	Jamb	Header	MR	Jamb	Header	MR	Jamb	Header	MR	Jamb	Header	MR	Jamb	Header	MR			
Bottom Sash Description for Given Range	Sash Height Range (in)	Above MR	Below MR	Header	Above MR	Below MR	Header	Above MR	Below MR	Header	Above MR	Below MR	Header	Above MR	Below MR	Header	Above MR	Below MR	Header	Above MR	Below MR	Header	Above MR	Below MR	Header				
24"	Equal-lite	12.464	1	2	1	1	2	1	1	2	1	1	2	2	1	2	2	1	2	2	1	2	2	1	2	2	1	2	2
	Equal-lite	15.964	1	2	1	1	2	1	1	2	1	1	2	2	1	2	2	1	2	2	1	2	2	1	2	2	1	2	2
31"	Standard Preview	12.994 - 15.963	2	2	1	2	2	1	2	2	1	2	2	2	2	2	2	2	2	2	2	2	2	2	2	3	2	2	2
	Shortest	12.464 - 12.993	2	2	1	2	2	1	2	2	1	2	2	2	2	2	2	2	2	2	2	2	2	2	2	2	2	2	2
38-3/8"	Equal-lite	19.652	2	2	1	2	2	1	2	2	1	2	2	2	2	2	2	2	2	2	2	2	2	2	2	2	2	2	2
	Standard Preview	15.944 - 19.651	2	2	1	2	2	1	2	2	1	2	2	2	2	2	2	2	2	2	2	2	2	2	2	2	2	2	2
	Custom Size	15.131 - 15.943	2	2	1	2	2	1	2	2	1	2	2	2	2	2	2	2	2	2	2	2	2	2	2	2	2	2	2
	Custom Size	14.131 - 15.130	2	2	1	2	2	1	2	2	1	2	2	2	2	2	2	2	2	2	2	2	2	2	2	2	2	2	2
	Shortest	12.464 - 14.130	2	2	1	2	2	1	2	2	1	2	2	2	2	2	2	2	2	2	2	2	2	2	2	2	2	2	2
45"	Equal-lite	22.964	2	2	1	2	2	1	2	2	1	2	2	2	2	2	2	2	2	2	2	2	2	2	2	2	2	2	2
	Custom Size	20.131 - 22.963	2	2	1	2	2	1	2	2	1	2	2	2	2	2	2	2	2	2	2	2	2	2	2	2	2	2	2
	Standard Preview	18.594 - 20.130	2	2	1	2	2	1	2	2	1	2	2	2	2	2	2	2	2	2	2	2	2	2	2	2	2	2	2
	Custom Size	16.131 - 18.593	2	2	1	2	2	1	2	2	1	2	2	2	2	2	2	2	2	2	2	2	2	2	2	2	2	2	2
	Custom Size	15.131 - 16.130	2	2	1	2	2	1	2	2	1	2	2	2	2	2	2	2	2	2	2	2	2	2	2	2	2	2	2
	Custom Size	14.131 - 15.130	2	2	1	2	2	1	2	2	1	2	2	2	2	2	2	2	2	2	2	2	2	2	2	2	2	2	2
49"	Equal-lite	24.964	2	2	1	2	2	1	2	2	1	2	2	2	2	2	2	2	2	2	2	2	2	2	2	2	2	2	2
	Custom Size	22.131 - 24.963	2	2	1	2	2	1	2	2	1	2	2	2	2	2	2	2	2	2	2	2	2	2	2	2	2	2	2
	Standard Preview	20.194 - 22.130	2	2	1	2	2	1	2	2	1	2	2	2	2	2	2	2	2	2	2	2	2	2	2	2	2	2	2
	Custom Size	18.131 - 20.193	2	2	1	2	2	1	2	2	1	2	2	2	2	2	2	2	2	2	2	2	2	2	2	2	2	2	2
	Custom Size	16.131 - 18.130	3	2	1	3	2	1	3	2	1	3	2	2	3	2	2	3	2	2	3	2	2	3	2	2	3	2	2
	Custom Size	14.131 - 16.130	3	2	1	3	2	1	3	2	1	3	2	2	3	2	2	3	2	2	3	2	2	3	2	2	3	2	2
50-5/8"	Equal-lite	25.777	2	2	1	2	2	1	2	2	1	2	2	2	2	2	2	2	2	2	2	2	2	2	2	2	2	2	2
	Custom Size	24.131 - 25.776	2	2	1	2	2	1	2	2	1	2	2	2	2	2	2	2	2	2	2	2	2	2	2	2	2	2	2
	Standard Preview	20.844 - 24.130	2	2	1	2	2	1	2	2	1	2	2	2	2	2	2	2	2	2	2	2	2	2	2	2	2	2	2
	Custom Size	20.131 - 20.843	2	2	1	2	2	1	2	2	1	2	2	2	2	2	2	2	2	2	2	2	2	2	2	2	2	2	2
	Custom Size	18.131 - 20.130	3	2	1	3	2	1	3	2	1	3	2	2	3	2	2	3	2	2	3	2	2	3	2	2	3	2	2
	Custom Size	16.131 - 18.130	3	2	1	3	2	1	3	2	1	3	2	2	3	2	2	3	2	2	3	2	2	3	2	2	3	2	2
63"	Equal-lite	31.964	2	3	1	2	3	1	2	3	1	2	3	2	2	3	2	2	3	2	2	3	2	2	3	2	2	3	2
	Custom Size	28.131 - 31.963	3	3	1	3	3	1	3	3	1	3	3	2	3	3	2	3	3	2	3	3	2	3	3	2	3	3	2
	Standard Preview	25.794 - 28.130	3	2	1	3	2	1	3	2	1	3	2	2	3	2	2	3	2	2	3	2	2	3	2	2	3	2	2
	Custom Size	24.131 - 25.793	3	2	1	3	2	1	3	2	1	3	2	2	3	2	2	3	2	2	3	2	2	3	2	2	3	2	2
	Custom Size	22.131 - 24.130	3	2	1	3	2	1	3	2	1	3	2	2	3	2	2	3	2	2	3	2	2	3	2	2	3	2	2
	Custom Size	20.131 - 22.130	3	2	1	3	2	1	3	2	1	3	2	2	3	2	2	3	2	2	3	2	2	3	2	2	3	2	2
	Custom Size	18.131 - 20.130	3	2	1	3	2	1	3	2	1	3	2	2	3	2	2	3	2	2	3	2	2	3	2	2	3	2	2
76"	Equal-lite	38.464	3	3	1	3	3	1	3	3	1	3	3	2	3	3	2	3	3	2	3	3	2	3	3	2	3	3	2
	Custom Size	36.131 - 38.463	3	3	1	3	3	1	3	3	1	3	3	2	3	3	2	3	3	2	3	3	2	3	3	2	3	3	2
	Standard Preview	34.131 - 36.130	3	3	1	3	3	1	3	3	1	3	3	2	3	3	2	3	3	2	3	3	2	3	3	2	3	3	2
	Custom Size	30.994 - 34.130	3	3	1	3	3	1	3	3	1	3	3	2	3	3	2	3	3	2	3	3	2	3	3	2	3	3	2
	Custom Size	30.131 - 30.993	3	3	1	3	3	1	3	3	1	3	3	2	3	3	2	3	3	2	3	3	2	3	3	2	3	3	2
	Custom Size	28.131 - 30.130	3	3	1	3	3	1	3	3	1	3	3	2	3	3	2	3	3	2	3	3	2	3	3	2	3	3	2
84"	Equal-lite	42.464	3	4	1	3	4	1	3	4	1	3	4	2	3	4	2	3	4	2	3	4	2	3	4	2	3	4	2
	Custom Size	38.131 - 42.463	3	4	1	3	4	1	3	4	1	3	4	2	3	4	2	3	4	2	3	4	2	3	4	2	3	4	2
	Standard Preview	34.194* - 38.130	4	3	1	4	3	1	4	3	1	4	3	2	4	3	2	4	3	2	4	3	2	4	3	2	4	3	2


* MINIMUM SASH HEIGHT FOR FLANGED WINDOWS IS: TIP TO TIP HEIGHT - 49.391
 MINIMUM SASH HEIGHT FOR INTEGRAL FIN AND EQUAL LEG WINDOWS IS: BUCK HEIGHT - 48.391
 MINIMUM SASH HEIGHT FOR FLANGED, RADIUS TOP WINDOWS IS: TIP TO TIP HEIGHT - 49.806
 MINIMUM SASH HEIGHT FOR INTEGRAL FIN AND EQUAL LEG, RADIUS TOP WINDOWS IS: BUCK HEIGHT - 48.806

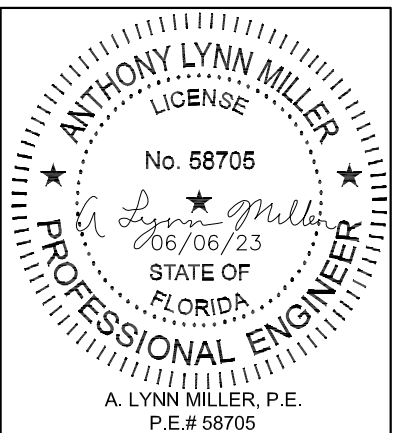
TABLE 6B:

Glass Type	Description (Listed from Exterior to Interior)
1	1/8"AN, .090" PVB, 1/8" AN
2	13/16" LIG: 1/8" AN CAP, AIRSPACE, 1/8" AN, .090" PVB, 1/8" AN
3	13/16" LIG: 1/8" TP CAP, AIRSPACE, 1/8" AN, .090" PVB, 1/8" AN
4	1/8" HS, .090" PVB, 1/8" HS
5	3/16" AN, .090" PVB, 3/16" AN
6	13/16" LIG: 3/16" AN CAP, AIRSPACE, 1/8" AN, .090" PVB, 1/8" AN
7	13/16" LIG: 3/16" TP CAP, AIRSPACE, 1/8" AN, .090" PVB, 1/8" AN

PRODUCT RENEWED
 as complying with the Florida Building Code
NOA-No. 23-0707.10
Expiration Date 08/23/2028
 By *Isheq L. Chand*
Miami-Dade Product Control

Revision: B) NO CHANGES THIS SHEET.
 LY - 06/06/23

PREPARED BY A. LYNN MILLER 1070 TECHNOLOGY DRIVE N. VENICE, FL 34275 (941) 480-1600	REGISTRATION #29296	Date	04/01/18
		Drawn By	JENS ROSOWSKI
 Custom Windows and Doors 1070 TECHNOLOGY DRIVE N. VENICE, FL 34275 (941) 480-1600	ALUMINUM SINGLE HUNG INSTALL. (LM) ANCHOR QUANTITY TABLE	DWG No.	7700NOA-LM
		Sheet	5 OF 11
		Series	SH7700A



1) TIP TO TIP DIMENSIONS SHOWN. FOR INTEGRAL FIN AND EQUAL-LEG WINDOWS, SUBTRACT 1" FROM THE TIP TO TIP DIMENSION IN THE TABLE TO DETERMINE THE WINDOW SIZE.

2) FOR SIZES NOT SHOWN, ROUND UP TO THE NEXT AVAILABLE SIZE.

3) FOR RADIUS TOP WINDOWS, FIND THE SMALLEST WINDOW SIZE IN THE TABLE ABOVE WHICH THE RADIUS TOP WINDOW WILL COMPLETELY FIT WITHIN.

4) WINDOWS WITH THE LOW SILL OPTION ARE LIMITED TO A MAXIMUM POSITIVE DESIGN PRESSURE OF +65 PSF. NEGATIVE DESIGN PRESSURES ARE UNAFFECTED.

TABLE 7:

Anchor Quantities Required for "Through-Frame" Installation using Glass Types 8-15			Tip to Tip Width																										
			18"			25"			33"			37"			41"			45"			49"			53-1/8"					
			Jamb	Header	Header	Jamb	Header	Header	Jamb	Header	Header	Jamb	Header	Header	Jamb	Header	Header	Jamb	Header	Header	Jamb	Header	Header	Jamb	Header	Header			
Bottom Sash Description for Given Range	Sash Height Range (in)	Above MR	Below MR	Header	Above MR	Below MR	Header	Above MR	Below MR	Header	Above MR	Below MR	Header	Above MR	Below MR	Header	Above MR	Below MR	Header	Above MR	Below MR	Header	Above MR	Below MR	Header				
24"	Equal-lite	12.464	1	2	1	1	2	1	1	2	1	1	2	2	1	2	2	1	2	2	1	2	2	1	2	2	1	2	2
	Equal-lite	15.964	1	2	1	1	2	1	1	2	1	1	2	2	1	2	2	1	2	2	1	2	2	1	2	2	1	2	2
31"	Standard Preview	12.994 - 15.963	2	2	1	2	2	1	2	2	1	2	2	2	2	2	2	2	2	2	2	2	3	2	2	2	2	2	2
	Shortest	12.464 - 12.993	2	2	1	2	2	1	2	2	1	2	2	2	2	2	2	2	2	2	2	2	2	2	2	2	2	2	2
38-3/8"	Equal-lite	19.652	2	2	1	2	2	1	2	2	1	2	2	2	2	2	2	2	2	2	2	2	2	2	2	2	2	2	2
	Standard Preview	15.944 - 19.651	2	2	1	2	2	1	2	2	1	2	2	2	2	2	2	2	2	2	2	2	2	2	2	2	2	2	2
	Custom Size	15.131 - 15.943	2	2	1	2	2	1	2	2	1	2	2	2	2	2	2	2	2	2	2	2	2	2	2	2	2	2	2
	Custom Size	14.131 - 15.130	2	2	1	2	2	1	2	2	1	2	2	2	2	2	2	2	2	2	2	2	2	2	2	2	2	2	2
	Shortest	12.464 - 14.130	2	2	1	2	2	1	2	2	1	2	2	2	2	2	2	2	2	2	2	2	2	2	2	2	2	2	2
45"	Equal-lite	22.964	2	2	1	2	2	1	2	2	1	2	2	2	2	2	2	2	2	2	2	3	2	2	3	2	2	3	2
	Custom Size	20.131 - 22.963	2	2	1	2	2	1	2	2	1	2	2	2	2	2	2	2	2	2	2	3	2	2	3	2	2	3	2
	Standard Preview	18.594 - 20.130	2	2	1	2	2	1	2	2	1	2	2	2	2	2	2	2	2	2	2	2	2	2	2	2	2	2	3
	Custom Size	16.131 - 18.593	2	2	1	2	2	1	2	2	1	2	2	2	2	2	2	2	2	2	2	2	2	2	2	2	2	2	3
	Custom Size	15.131 - 16.130	2	2	1	2	2	1	2	2	1	2	2	2	2	2	2	2	2	2	2	2	2	2	2	2	2	2	3
	Custom Size	14.131 - 15.130	2	2	1	2	2	1	2	2	1	2	2	2	2	2	2	2	2	2	2	2	2	2	2	2	2	2	3
49"	Equal-lite	24.964	2	2	1	2	2	1	2	2	1	2	2	2	2	2	2	2	3	2	2	3	2	2	3	2	2	3	2
	Custom Size	22.131 - 24.963	2	2	1	2	2	1	2	2	1	2	2	2	2	2	2	2	3	2	2	3	2	2	3	2	2	3	2
	Standard Preview	20.194 - 22.130	2	2	1	2	2	1	2	2	1	2	2	2	2	2	2	2	2	2	2	2	2	2	2	2	2	2	3
	Custom Size	18.131 - 20.193	2	2	1	2	2	1	2	2	1	2	2	2	2	2	2	2	2	2	2	2	2	2	2	2	2	2	3
	Custom Size	16.131 - 18.130	3	2	1	3	2	1	3	2	1	3	2	2	3	2	2	3	2	2	3	2	2	3	2	2	3	2	3
	Custom Size	14.131 - 16.130	3	2	1	3	2	1	3	2	1	3	2	2	3	2	2	3	2	2	3	2	2	3	2	2	3	2	3
50-5/8"	Equal-lite	25.777	2	2	1	2	2	1	2	2	1	2	2	2	2	2	2	2	3	2	2	3	2	2	3	2	2	3	2
	Custom Size	24.131 - 25.776	2	2	1	2	2	1	2	2	1	2	2	2	2	2	2	2	3	2	2	3	2	2	3	2	2	3	2
	Standard Preview	20.844 - 24.130	2	2	1	2	2	1	2	2	1	2	2	2	2	2	2	2	3	2	2	3	2	2	3	2	2	3	3
	Custom Size	20.131 - 20.843	2	2	1	2	2	1	2	2	1	2	2	2	2	2	2	2	2	2	2	2	2	2	2	2	2	2	3
	Custom Size	18.131 - 20.130	3	2	1	3	2	1	3	2	1	3	2	2	3	2	2	3	2	2	3	2	2	3	2	2	3	2	3
	Custom Size	16.131 - 18.130	3	2	1	3	2	1	3	2	1	3	2	2	3	2	2	3	2	2	3	2	2	3	2	2	3	2	3
63"	Equal-lite	31.964	2	3	1	2	3	1	2	3	1	2	3	2	2	3	2	2	3	2	2	3	2	2	4	3	2	4	3
	Custom Size	28.131 - 31.963	3	3	1	3	3	1	3	3	1	3	3	2	3	3	2	3	3	2	3	3	3	3	4	3	3	4	3
	Standard Preview	25.794 - 28.130	3	2	1	3	2	1	3	2	1	3	2	2	3	3	2	3	3	2	3	3	3	3	3	3	3	3	3
	Custom Size	24.131 - 25.793	3	2	1	3	2	1	3	2	1	3	2	2	3	3	2	3	3	2	3	3	3	3	3	3	3	3	3
	Custom Size	22.131 - 24.130	3	2	1	3	2	1	3	2	1	3	2	2	3	3	2	3	3	2	3	3	3	3	3	3	3	3	3
	Custom Size	20.131 - 22.130	3	2	1	3	2	1	3	2	1	3	2	2	3	2	2	3	2	2	3	3	3	3	3	3	3	3	3
	Custom Size	18.131 - 20.130	3	2	1	3	2	1	3	2	1	3	2	2	3	2	2	3	2	2	3	2	3	4	3	3	4	3	3
76"	Equal-lite	38.464	3	3	1	3	3	1	3	3	1	3	3	2	3	3	2	3	4	2	3	4	3	3	4	3	3	4	3
	Custom Size	36.131 - 38.463	3	3	1	3	3	1	3	3	1	3	3	2	3	3	2	3	4	2	3	4	3	3	4	3	3	4	3
	Standard Preview	30.994 - 34.130	3	3	1	3	3	1	3	3	1	3	3	2	3	3	2	3	3	2	3	3	2	3	4	3	3	4	3
	Custom Size	30.131 - 30.993	3	3	1	3	3	1	3	3	1	3	3	2	3	3	2	3	3	2	3	3	2	3	4	3	3	4	3
	Custom Size	28.131 - 30.130	3	3	1	3	3	1	3	3	1	3	3	2	3	3	2	4	3	2	4	3	3	4	3	3	4	4	3
	Shortest	26.194* - 28.130	4	2	1	4	2	1	4	2	1	4	2	2	4	3	2	4	3	2	4	3	3	4	3	3	4	3	3
84"	Equal-lite	42.464	3	4	1	3	4	1	3	4	1	3	4	2	3	4	2	3	4	2	3	4	3	3	5	3	3	5	3
	Custom Size	38.131 - 42.463	3	4	1	3	4	1	3	4	1	3	4	2	3	4	2	3	4	2	3	4	3	4	5	3	4	5	3
	Standard Preview	34.194* - 38.130	4	3	1	4	3	1	4	3	1	4	3	2	4	3	2	4	4	2	4	4	3	4	4	3	4	4	3

* MINIMUM SASH HEIGHT FOR FLANGED WINDOWS IS: TIP TO TIP HEIGHT - 49.391
 MINIMUM SASH HEIGHT FOR INTEGRAL FIN AND EQUAL LEG WINDOWS IS: BUCK HEIGHT - 48.391
 MINIMUM SASH HEIGHT FOR FLANGED, RADIUS TOP WINDOWS IS: TIP TO TIP HEIGHT - 49.806
 MINIMUM SASH HEIGHT FOR INTEGRAL FIN AND EQUAL LEG, RADIUS TOP WINDOWS IS: BUCK HEIGHT - 48.806

TABLE 7B:

Glass Type	Description (Listed from Exterior to Interior)
8	3/16" AN, .090" SG, 3/16" AN
9	3/16" HS, .090" SG, 3/16" HS
10	13/16" LIG: 1/8" AN CAP, AIRSPACE, 1/8" HS, .090" SG, 1/8" HS
11	13/16" LIG: 1/8" AN CAP, AIRSPACE, 3/16" AN, .090" SG, 3/16" AN
12	13/16" LIG: 1/8" TP CAP, AIRSPACE, 1/8" HS, .090" SG, 1/8" HS
13	13/16" LIG: 1/8" TP CAP, AIRSPACE, 3/16" AN, .090" SG, 3/16" AN
14	13/16" LIG: 3/16" AN CAP, AIRSPACE, 1/8" HS, .090" SG, 1/8" HS
15	13/16" LIG: 3/16" TP CAP, AIRSPACE, 1/8" HS, .090" SG, 1/8" HS

1) TIP TO TIP DIMENSIONS SHOWN. FOR INTEGRAL FIN AND EQUAL-LEG WINDOWS, SUBTRACT 1" FROM THE TIP TO TIP DIMENSION IN THE TABLE TO DETERMINE THE WINDOW SIZE.

2) FOR SIZES NOT SHOWN, ROUND UP TO THE NEXT AVAILABLE SIZE.


3) FOR RADIUS TOP WINDOWS, FIND THE SMALLEST WINDOW SIZE IN THE TABLE ABOVE WHICH THE RADIUS TOP WINDOW WILL COMPLETELY FIT WITHIN.

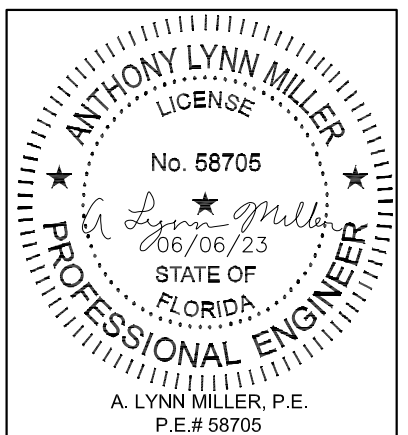
4) WINDOWS WITH THE LOW SILL OPTION ARE LIMITED TO A MAXIMUM POSITIVE DESIGN PRESSURE OF +65 PSF. NEGATIVE DESIGN PRESSURES ARE UNAFFECTED.

PRODUCT RENEWED
 as complying with the Florida Building Code
NOA-No. 23-0707.10
Expiration Date 08/23/2028
 By *Isheq I. Chande*
Miami-Dade Product Control

B) NO CHANGES THIS SHEET.

Revision: LY - 06/06/23

PREPARED BY A. LYNN MILLER 1070 TECHNOLOGY DRIVE N. VENICE, FL 34275 (941) 480-1600	REGISTRATION #29296	Date	04/01/18
		Drawn By	JENS ROSOWSKI
 Custom Windows and Doors 1070 TECHNOLOGY DRIVE N. VENICE, FL 34275 (941) 480-1600	ALUMINUM SINGLE HUNG INSTALL. (LM) ANCHOR QUANTITY TABLE	DWG No.	7700NOA-LM
		Sheet	6 OF 11
		Series	SH7700A

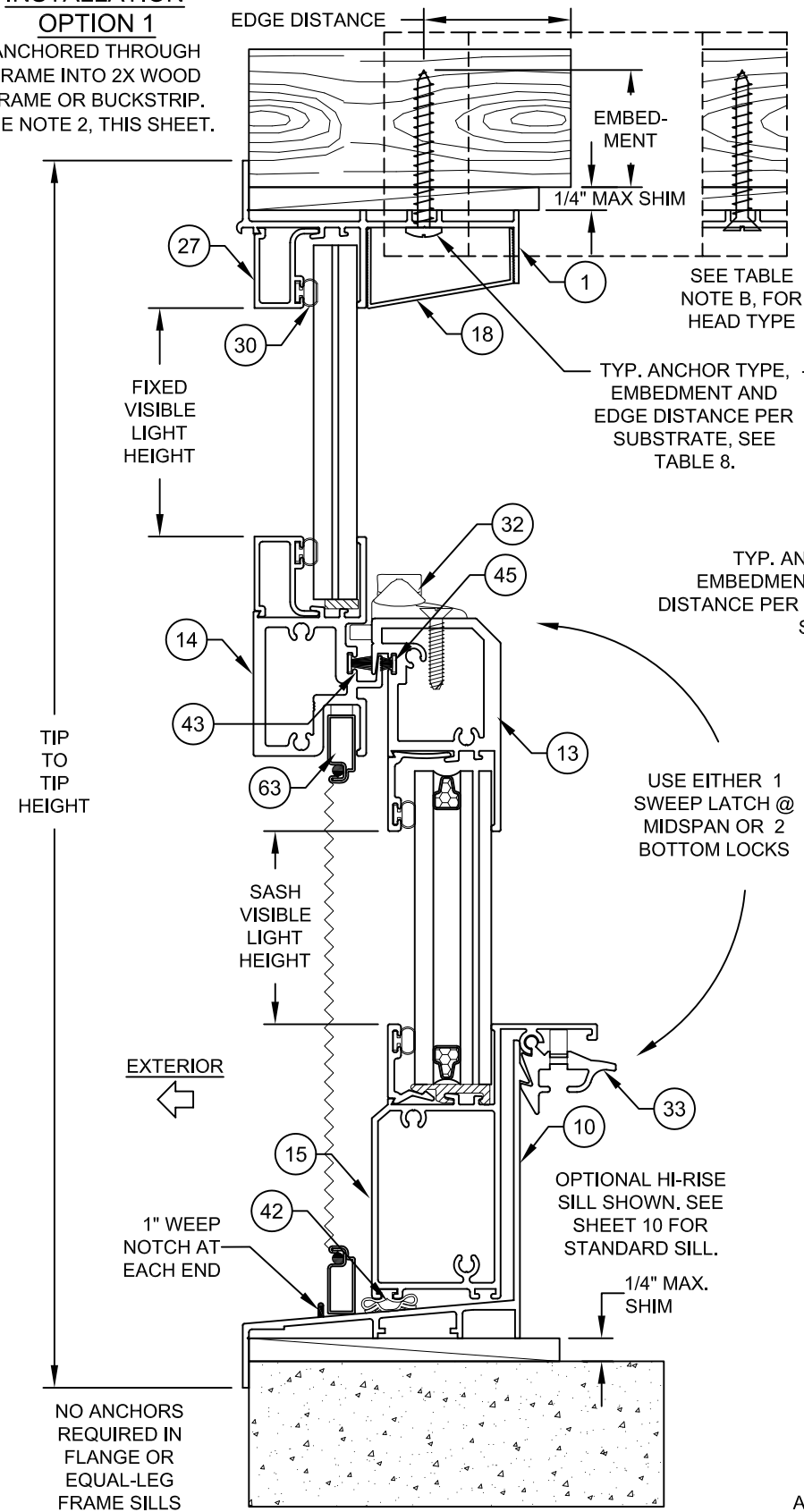


A. LYNN MILLER, P.E.
 P.E.# 58705

INSTALLATION DETAILS FOR FLANGE FRAMES

INSTALLATION OPTION 1

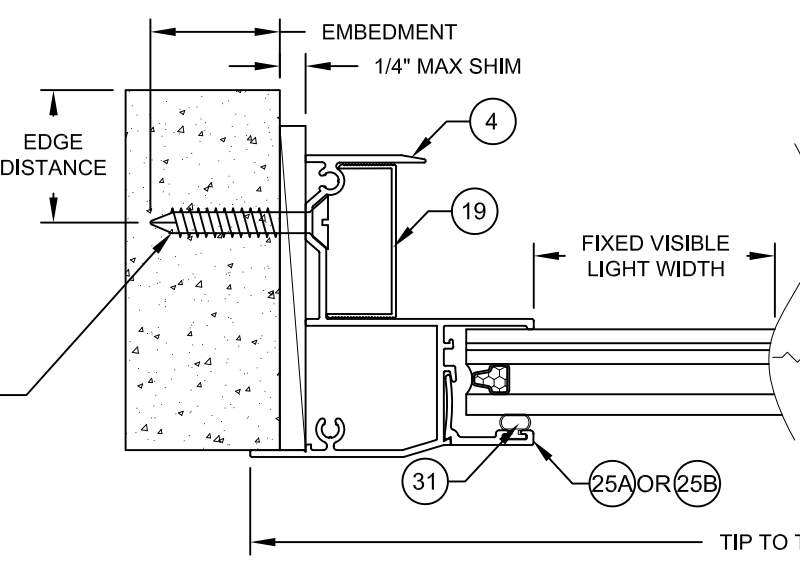
ANCHORED THROUGH FRAME INTO 2X WOOD FRAME OR BUCKSTRIP. SEE NOTE 2, THIS SHEET.



VERTICAL SECTION B-B

INSTALLATION OPTION 2

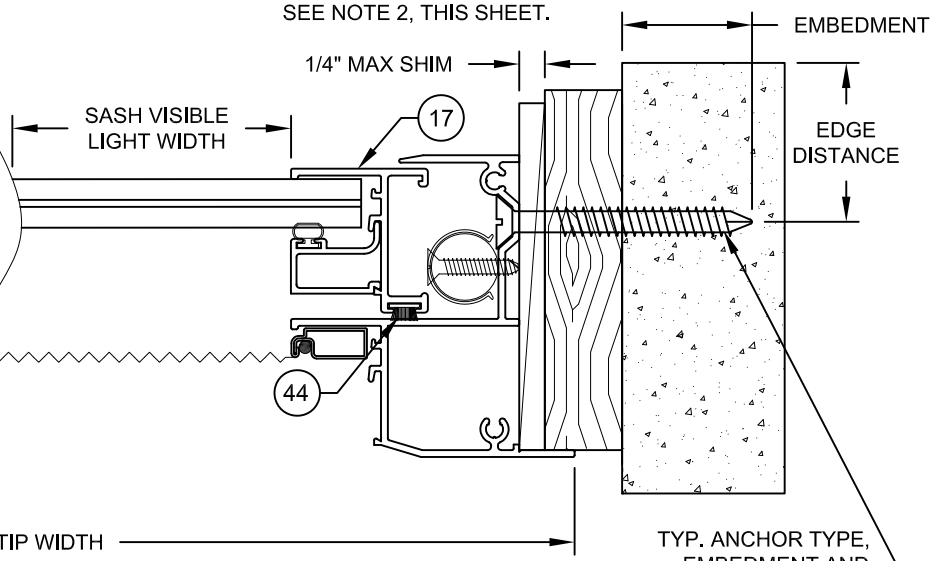
ANCHORED THROUGH FRAME DIRECTLY INTO CONCRETE/CMU.



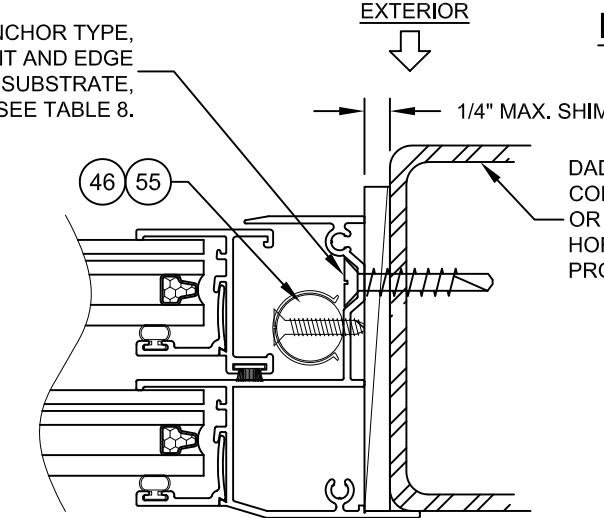
HORIZONTAL SECTION A-A

INSTALLATION OPTION 3

ANCHORED THROUGH FRAME AND 1X BUCKSTRIP INTO CONCRETE/CMU. SEE NOTE 2, THIS SHEET.



TYP. ANCHOR TYPE, EMBEDMENT AND EDGE DISTANCE PER SUBSTRATE, SEE TABLE 8.



INSTALLATION OPTION 4

ANCHORED THROUGH FRAME INTO METAL

VISIBLE LIGHT FORMULAS:
(SHOWN FOR HI-RISE SILL; SEE SHEET 9 FOR STANDARD SILL)

WIDTH
@ SASH & FIXED LITE: TIP TO TIP WIDTH - 5.12"

HEIGHT (EQUAL-LITE)
TIP TO TIP HEIGHT/2 - 3.73"

HEIGHT (PROVIEW)
@FIXED LITE: TIP TO TIP HEIGHT/2 + 3.78"
@SASH: TIP TO TIP HEIGHT/2 - 11.93"

HEIGHT (CUSTOM SASH)
@FIXED LITE: TIP TO TIP HEIGHT - SASH HEIGHT - 3.55"
@SASH: SASH HEIGHT - 4.60"

TABLE 8:

Anchor	Substrate	Min. Edge Distance	Min. Embedment
#12 Steel, 18-8 or 410 SS Screw	P.T. Southern Pine (SG=0.55)	9/16"	1-3/8"
	Aluminum, 6063-T5 min.	3/8"	0.063"
	A36 Steel	3/8"	0.063"
	Steel Stud, Gr. 33 min.	3/8"	0.045" (18 Ga)
1/4" 410 SS CreteFlex	Concrete (min. 3.35 ksi)	1"	1-3/4"
	UngROUTED CMU, (ASTM C-90)	2-1/2"	1-1/4"
	P.T. Southern Pine (SG=0.55)	1"	1-3/8"
1/4" Steel Ultracon +	Concrete (min. 3.00 ksi)	1-3/16"	1-3/8"
	UngROUTED CMU, (ASTM C-90)	1-1/2"	1-1/4"
	P.T. Southern Pine (SG=0.55)	1"	1-3/8"

- A) MIN. OF 3 THREADS BEYOND THE METAL SUBSTRATE.
- B) USE ONLY FLATHEAD ANCHORS IN JAMBS. PAN/HEX/FLAT HEAD TYPE IS ALLOWABLE FOR ANCHORS IN THE HEAD.
- C) "UNGROUTED CMU" VALUES MAY BE USED FOR GROUTED CMU APPLICATIONS.

NOTES:

- 1) USE ONLY SUBSTRATE-APPROPRIATE ANCHORS LISTED ON TABLE 8. FOLLOW EMBEDMENT AND EDGE DISTANCE LIMITS. ANY INSTALLATION OPTION SHOWN MAY BE USED ON ANY SIDE OF THE WINDOW.
- 2) MASONRY ANCHORS MAY BE USED INTO WOOD AS PER TABLE 8. ALL WOOD BUCKS LESS THAN 1-1/2" THICK ARE TO BE CONSIDERED 1X INSTALLATIONS. 1X WOOD BUCKS ARE OPTIONAL IF UNIT IS INSTALLED DIRECTLY TO SUBSTRATE. WOOD BUCKS DEPICTED AS 2X ARE 1-1/2" THICK OR GREATER. 1X AND 2X BUCKS (WHEN USED) SHALL BE DESIGNED TO PROPERLY TRANSFER LOADS TO THE STRUCTURE. WOOD BUCK DESIGN AND INSTALLATION IS THE RESPONSIBILITY OF THE ENGINEER OR ARCHITECT OF RECORD.
- 3) VISIBLE LIGHT WIDTH OR HEIGHT (ALSO REFERRED TO AS DAYLIGHT OPENING) IS MEASURED FROM BEADING TO BEADING.

PRODUCT RENEWED
as complying with the Florida Building Code
NOA-No. 23-0707.10
Expiration Date 08/23/2028
By Ishay I. Chand
Miami-Dade Product Control

B) REVISED ANCHOR TYPE TABLE.
LY - 06/06/23

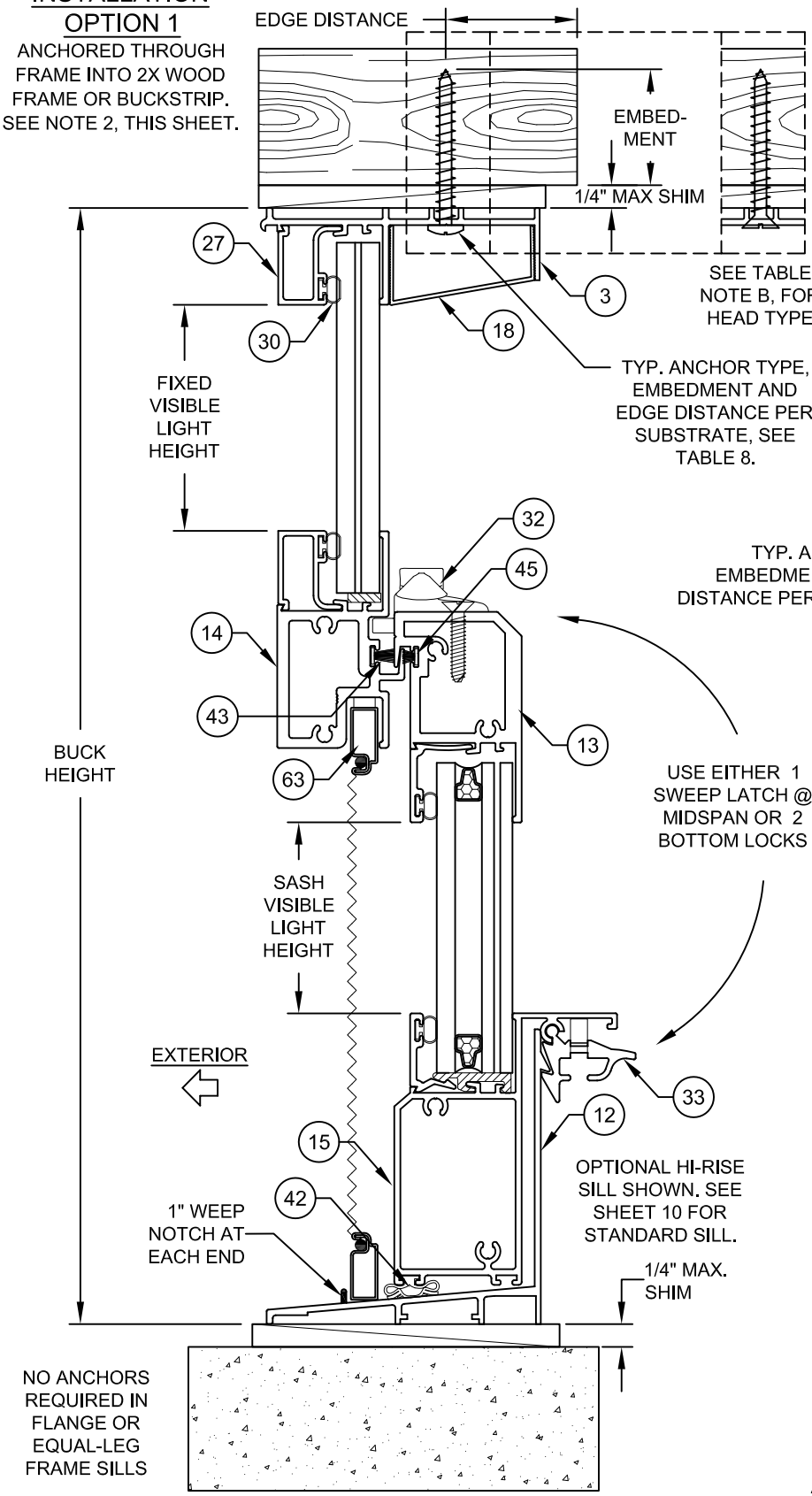
PREPARED BY A. LYNN MILLER 1070 TECHNOLOGY DRIVE N. VENICE, FL 34275 (941) 480-1600	REGISTRATION #29296	Date	04/01/18
	ALUMINUM SINGLE HUNG INSTALL. (LM)	Drawn By	JENS ROSOWSKI
PGT Custom Windows and Doors 1070 TECHNOLOGY DRIVE N. VENICE, FL 34275 (941) 480-1600	FLANGE X-SECTION	DWG No.	7700NOA-LM
	SH7700A	Sheet	7 OF 11

ANTHONY LYNN MILLER
LICENSE
No. 58705
06/06/23
STATE OF FLORIDA
PROFESSIONAL ENGINEER
A. LYNN MILLER, P.E.
P.E.# 58705

INSTALLATION DETAILS FOR EQUAL-LEG FRAMES

INSTALLATION OPTION 1

ANCHORED THROUGH FRAME INTO 2X WOOD FRAME OR BUCKSTRIP. SEE NOTE 2, THIS SHEET.

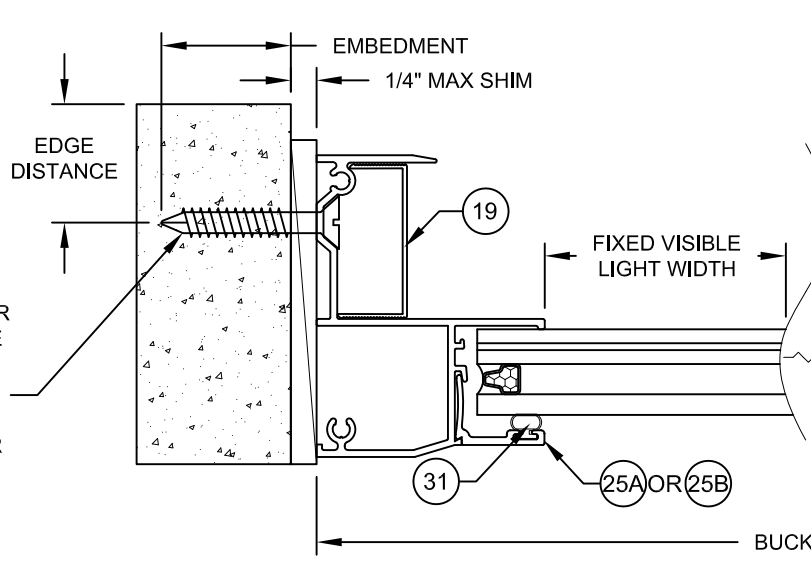


VERTICAL SECTION B-B

NO ANCHORS REQUIRED IN FLANGE OR EQUAL-LEG FRAME SILLS

INSTALLATION OPTION 2

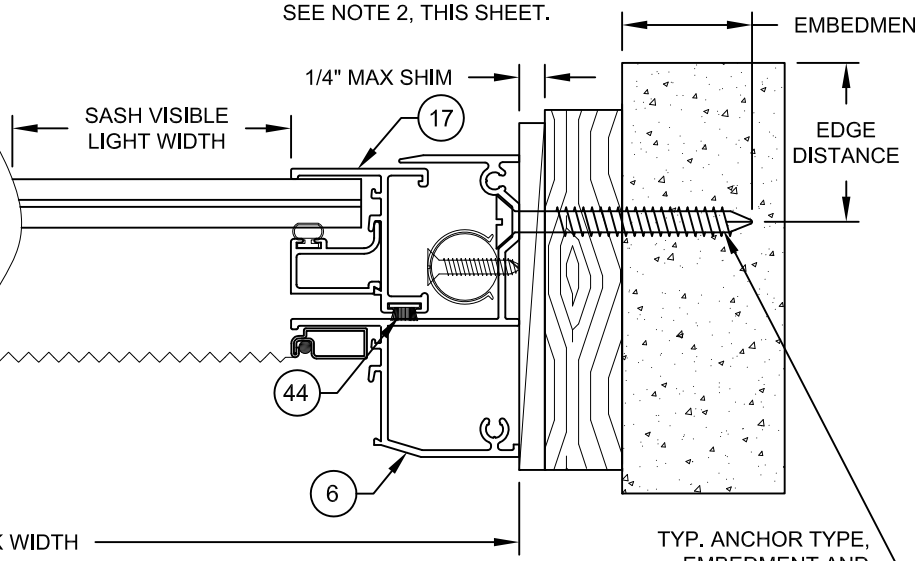
ANCHORED THROUGH FRAME DIRECTLY INTO CONCRETE/CMU.



HORIZONTAL SECTION A-A

INSTALLATION OPTION 3

ANCHORED THROUGH FRAME AND 1X BUCKSTRIP INTO CONCRETE/CMU. SEE NOTE 2, THIS SHEET.



TYP. ANCHOR TYPE, EMBEDMENT AND EDGE DISTANCE PER SUBSTRATE, SEE TABLE 8.

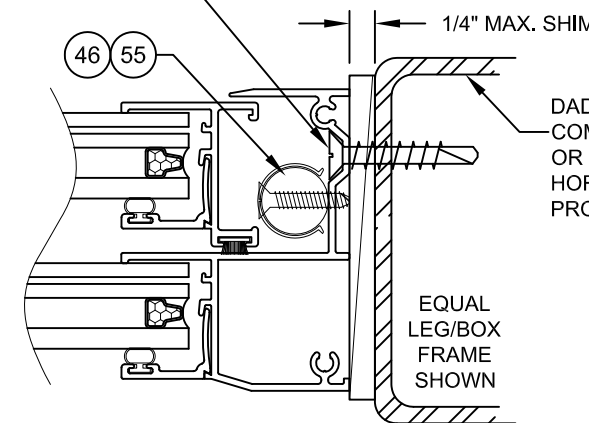
TYP. ANCHOR TYPE, EMBEDMENT AND EDGE DISTANCE PER SUBSTRATE, SEE TABLE 8.

USE EITHER 1 SWEEP LATCH @ MIDSPAN OR 2 BOTTOM LOCKS

DADE APPROVED MULLION, FBC COMPLIANT ALUMINUM/STEEL FRAMING OR STEEL STUD. MAY BE VERTICAL OR HORIZONTAL. SEE SUBSTRATE PROPERTIES, TABLE 8.

INSTALLATION OPTION 4

ANCHORED THROUGH FRAME INTO METAL



VISIBLE LIGHT FORMULAS:

(SHOWN FOR HI-RISE SILL; SEE SHEET 9 FOR STANDARD SILL)

- WIDTH @ SASH & FIXED LITE: BUCK WIDTH - 4.12"
- HEIGHT (EQUAL-LITE) BUCK HEIGHT/2 - 3.23"
- HEIGHT (PROVIEW) @FIXED LITE: BUCK HEIGHT/2 + 4.28" @SASH: BUCK HEIGHT/2 - 11.43"
- HEIGHT (CUSTOM SASH) @FIXED LITE: BUCK HEIGHT - SASH HEIGHT - 2.55" @SASH: SASH HEIGHT - 4.60"

TABLE 9:

Anchor	Substrate	Min. Edge Distance	Min. Embedment
#12 Steel, 18-8 or 410 SS Screw	P.T. Southern Pine (SG=0.55)	9/16"	1-3/8"
	Aluminum, 6063-T5 min.	3/8"	0.063"
	A36 Steel	3/8"	0.063"
	Steel Stud, Gr. 33 min.	3/8"	0.045" (18 Ga)
1/4" 410 SS CreteFlex	Concrete (min. 3.35 ksi)	1"	1-3/4"
	UngROUTED CMU, (ASTM C-90)	2-1/2"	1-1/4"
	P.T. Southern Pine (SG=0.55)	1"	1-3/8"
1/4" Steel Ultracon +	Concrete (min. 3.00 ksi)	1-3/16"	1-3/8"
	UngROUTED CMU, (ASTM C-90)	1-1/2"	1-1/4"
	P.T. Southern Pine (SG=0.55)	1"	1-3/8"


- A) MIN. OF 3 THREADS BEYOND THE METAL SUBSTRATE.
- B) USE ONLY FLATHEAD ANCHORS IN JAMBS. PAN/HEX/FLAT HEAD TYPE IS ALLOWABLE FOR ANCHORS IN THE HEAD.
- C) "UNGROUTED CMU" VALUES MAY BE USED FOR GROUTED CMU APPLICATIONS.

NOTES:

- 1) USE ONLY SUBSTRATE-APPROPRIATE ANCHORS LISTED ON TABLE 8. FOLLOW EMBEDMENT AND EDGE DISTANCE LIMITS. ANY INSTALLATION OPTION SHOWN MAY BE USED ON ANY SIDE OF THE WINDOW.
- 2) MASONRY ANCHORS MAY BE USED INTO WOOD AS PER TABLE 8. ALL WOOD BUCKS LESS THAN 1-1/2" THICK ARE TO BE CONSIDERED 1X INSTALLATIONS. 1X WOOD BUCKS ARE OPTIONAL IF UNIT IS INSTALLED DIRECTLY TO SUBSTRATE. WOOD BUCKS DEPICTED AS 2X ARE 1-1/2" THICK OR GREATER. 1X AND 2X BUCKS (WHEN USED) SHALL BE DESIGNED TO PROPERLY TRANSFER LOADS TO THE STRUCTURE. WOOD BUCK DESIGN AND INSTALLATION IS THE RESPONSIBILITY OF THE ENGINEER OR ARCHITECT OF RECORD.
- 3) VISIBLE LIGHT WIDTH OR HEIGHT (ALSO REFERRED TO AS DAYLIGHT OPENING) IS MEASURED FROM BEADING TO BEADING.

PRODUCT RENEWED
as complying with the Florida Building Code
NOA-No. 23-0707.10
Expiration Date 08/23/2028
By *Ishay I. Chand*
Miami-Dade Product Control

B) REVISED ANCHOR TYPE TABLE.
LY - 06/06/23

PREPARED BY A. LYNN MILLER 1070 TECHNOLOGY DRIVE N. VENICE, FL 34275 (941) 480-1600	REGISTRATION #29296	DATE	04/01/18	REV.	B
	ALUMINUM SINGLE HUNG INSTALL. (LM)	DRAWN BY	JENS ROSOWSKI	DWG NO.	7700NOA-LM
 Custom Windows and Doors 1070 TECHNOLOGY DRIVE N. VENICE, FL 34275 (941) 480-1600	ALUMINUM SINGLE HUNG INSTALL. (LM)	SHEET	8 OF 11	SERIES	SH7700A
EQUAL-LEG X-SECTION					

ANTHONY LYNN MILLER
LICENSE
No. 58705
Anthony Lynn Miller
06/06/23
STATE OF FLORIDA
PROFESSIONAL ENGINEER
A. LYNN MILLER, P.E.
P.E.# 58705

INSTALLATION DETAILS FOR INTEGRAL FIN FRAMES

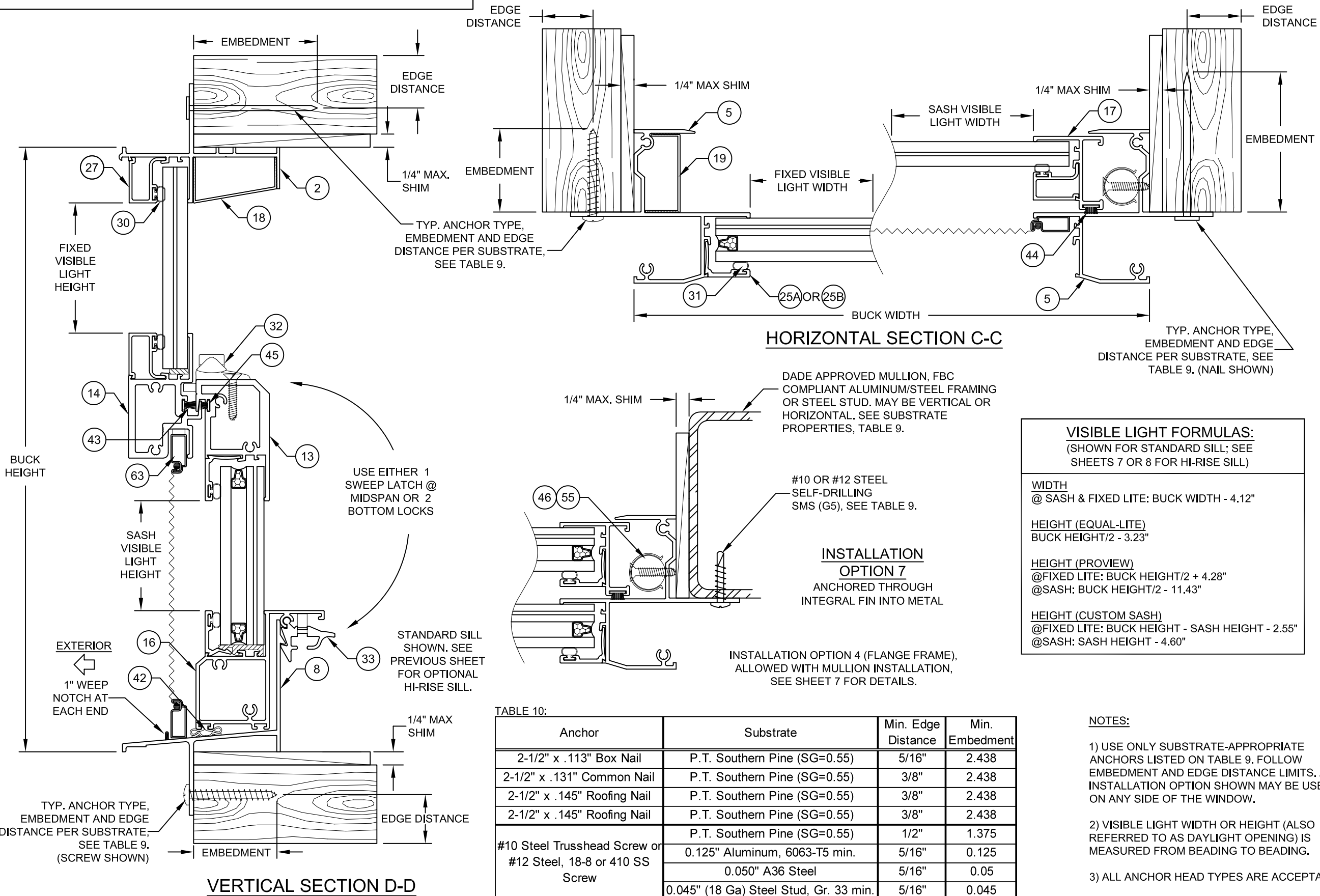


TABLE 10:

Anchor	Substrate	Min. Edge Distance	Min. Embedment
2-1/2" x .113" Box Nail	P.T. Southern Pine (SG=0.55)	5/16"	2.438
2-1/2" x .131" Common Nail	P.T. Southern Pine (SG=0.55)	3/8"	2.438
2-1/2" x .145" Roofing Nail	P.T. Southern Pine (SG=0.55)	3/8"	2.438
2-1/2" x .145" Roofing Nail	P.T. Southern Pine (SG=0.55)	3/8"	2.438
#10 Steel Trusshead Screw or #12 Steel, 18-8 or 410 SS Screw	P.T. Southern Pine (SG=0.55)	1/2"	1.375
	0.125" Aluminum, 6063-T5 min.	5/16"	0.125
	0.050" A36 Steel	5/16"	0.05
	0.045" (18 Ga) Steel Stud, Gr. 33 min.	5/16"	0.045

A) MIN. OF 3 THREADS BEYOND THE METAL SUBSTRATE.

NOTES:

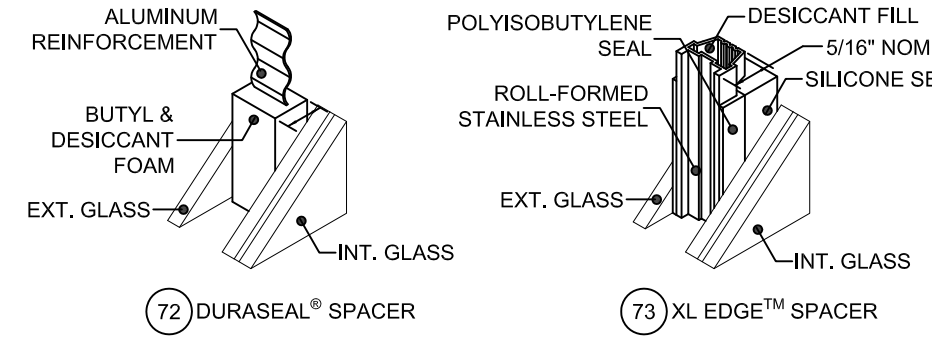
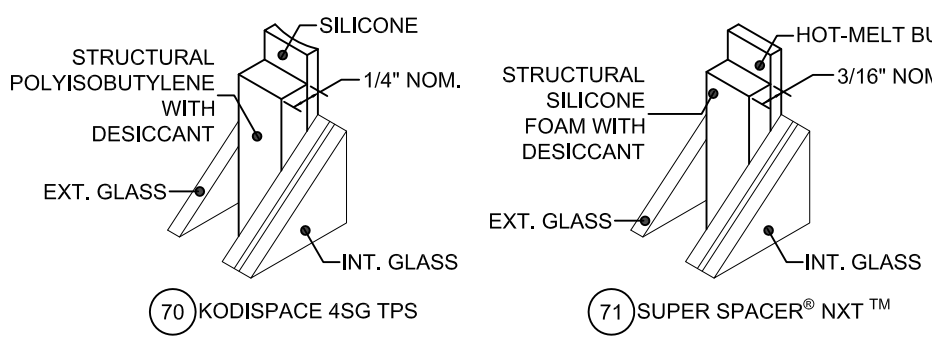
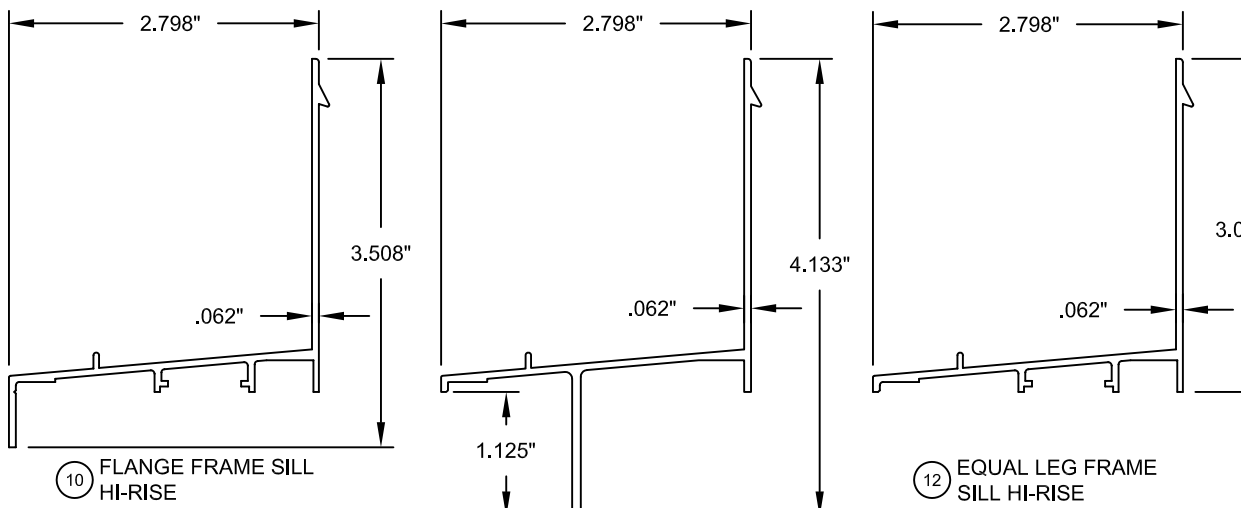
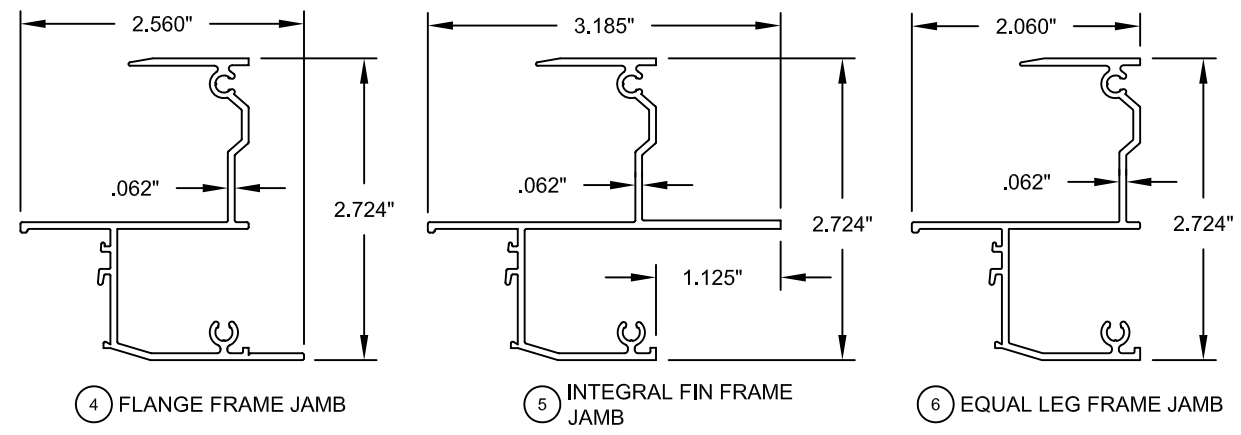
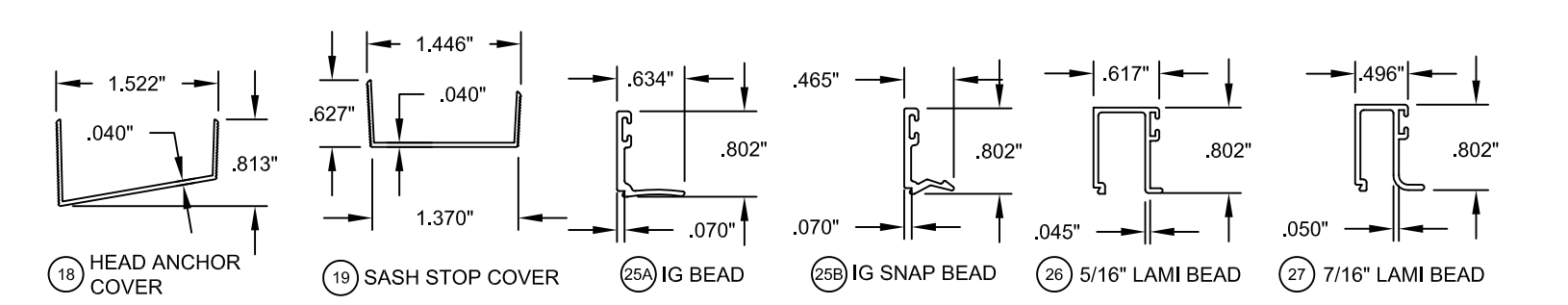
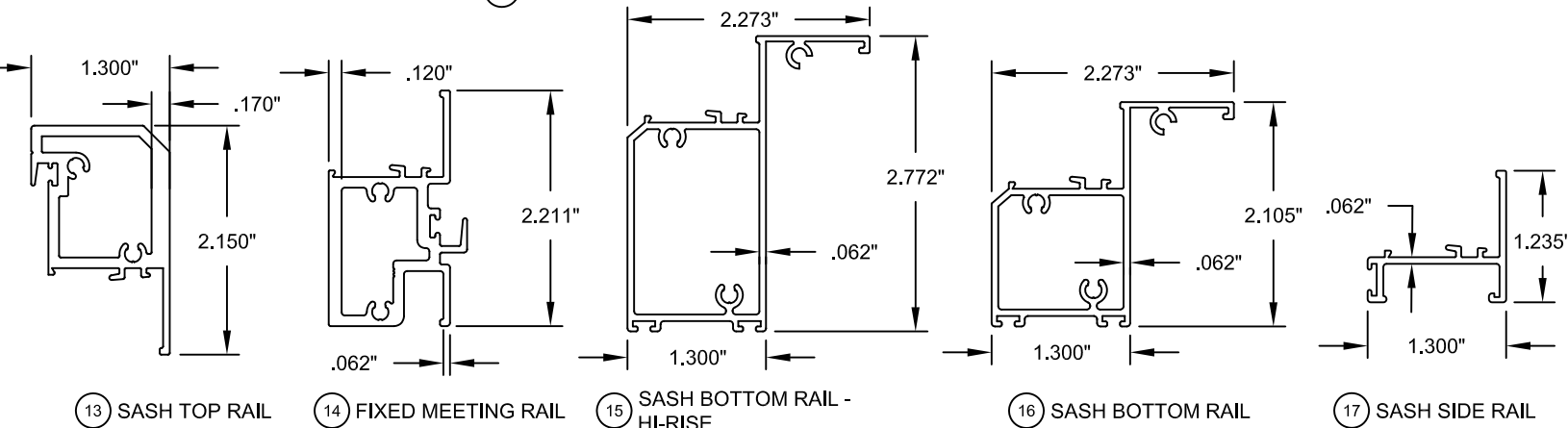
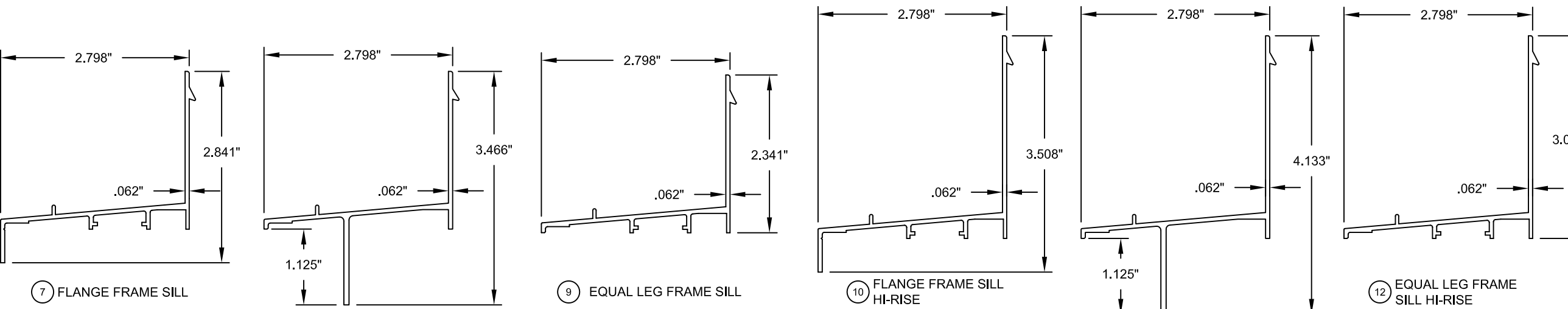
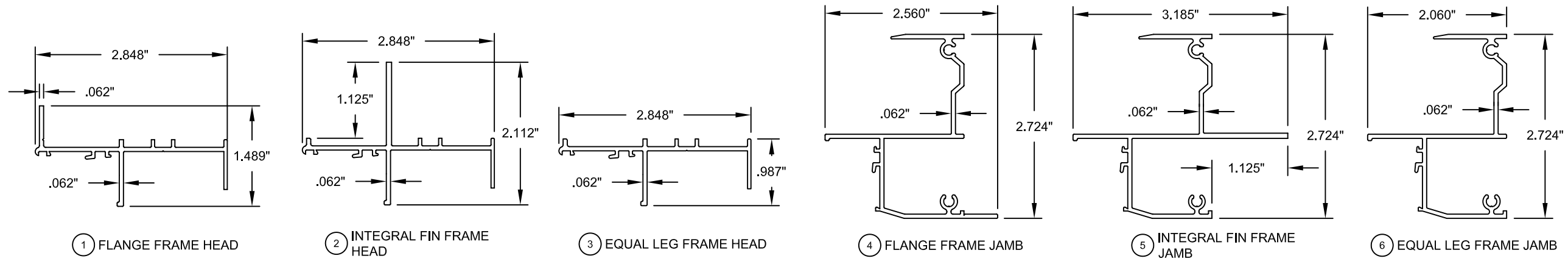
- 1) USE ONLY SUBSTRATE-APPROPRIATE ANCHORS LISTED ON TABLE 9. FOLLOW EMBEDMENT AND EDGE DISTANCE LIMITS. ANY INSTALLATION OPTION SHOWN MAY BE USED ON ANY SIDE OF THE WINDOW.
- 2) VISIBLE LIGHT WIDTH OR HEIGHT (ALSO REFERRED TO AS DAYLIGHT OPENING) IS MEASURED FROM BEADING TO BEADING.
- 3) ALL ANCHOR HEAD TYPES ARE ACCEPTABLE.

PRODUCT RENEWED
as complying with the Florida Building Code
NOA-No. 23-0707.10
Expiration Date 08/23/2028
By Ishay I. Chand
Miami-Dade Product Control

Revision: B) ADDED ANCHOR HEAD TYPES AND FLANGE FRAME NOTES.
LY - 06/06/23

PREPARED BY A. LYNN MILLER 1070 TECHNOLOGY DRIVE N. VENICE, FL 34275 (941) 480-1600	REGISTRATION #29296	Date	04/01/18
		Drawn By	JENS ROSOWSKI
PGT Custom Windows and Doors 1070 TECHNOLOGY DRIVE N. VENICE, FL 34275 (941) 480-1600	ALUMINUM SINGLE HUNG INSTALL. (LM)		Rev.
	INTEGRAL FIN X-SECTION		B
Sheet		9 OF 11	DWG No.
Title		SH7700A	7700NOA-LM

ANTHONY LYNN MILLER
LICENSE
No. 58705
06/06/23
STATE OF FLORIDA
PROFESSIONAL ENGINEER
A. LYNN MILLER, P.E.
P.E.# 58705



PRODUCT RENEWED
 as complying with the Florida
 Building Code
 NOA-No. 23-0707.10
 Expiration Date 08/23/2028
 By *Isheq I. Chand*
 Miami-Dade Product Control

Revision: B) NO CHANGES THIS SHEET.
 LY - 06/06/23

PREPARED BY A. LYNN MILLER 1070 TECHNOLOGY DRIVE N. VENICE, FL 34275 (941) 480-1600	REGISTRATION #29296	Date	04/01/18	
		By	JENS ROSOWSKI	
PGT Custom Windows and Doors 1070 TECHNOLOGY DRIVE N. VENICE, FL 34275 (941) 480-1600	ALUMINUM SINGLE HUNG INSTALL. (LM)	EXTRUSIONS	Rev.	B
			DWG No.	7700NOA-LM
			Sheet	10 OF 11
			Series	SH7700A

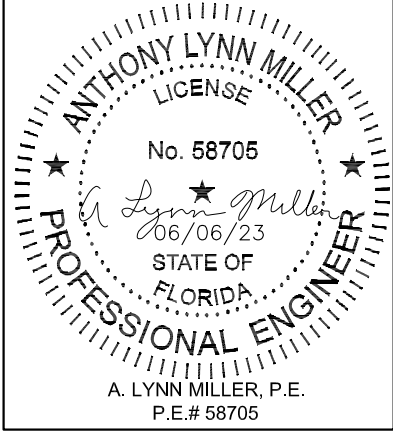
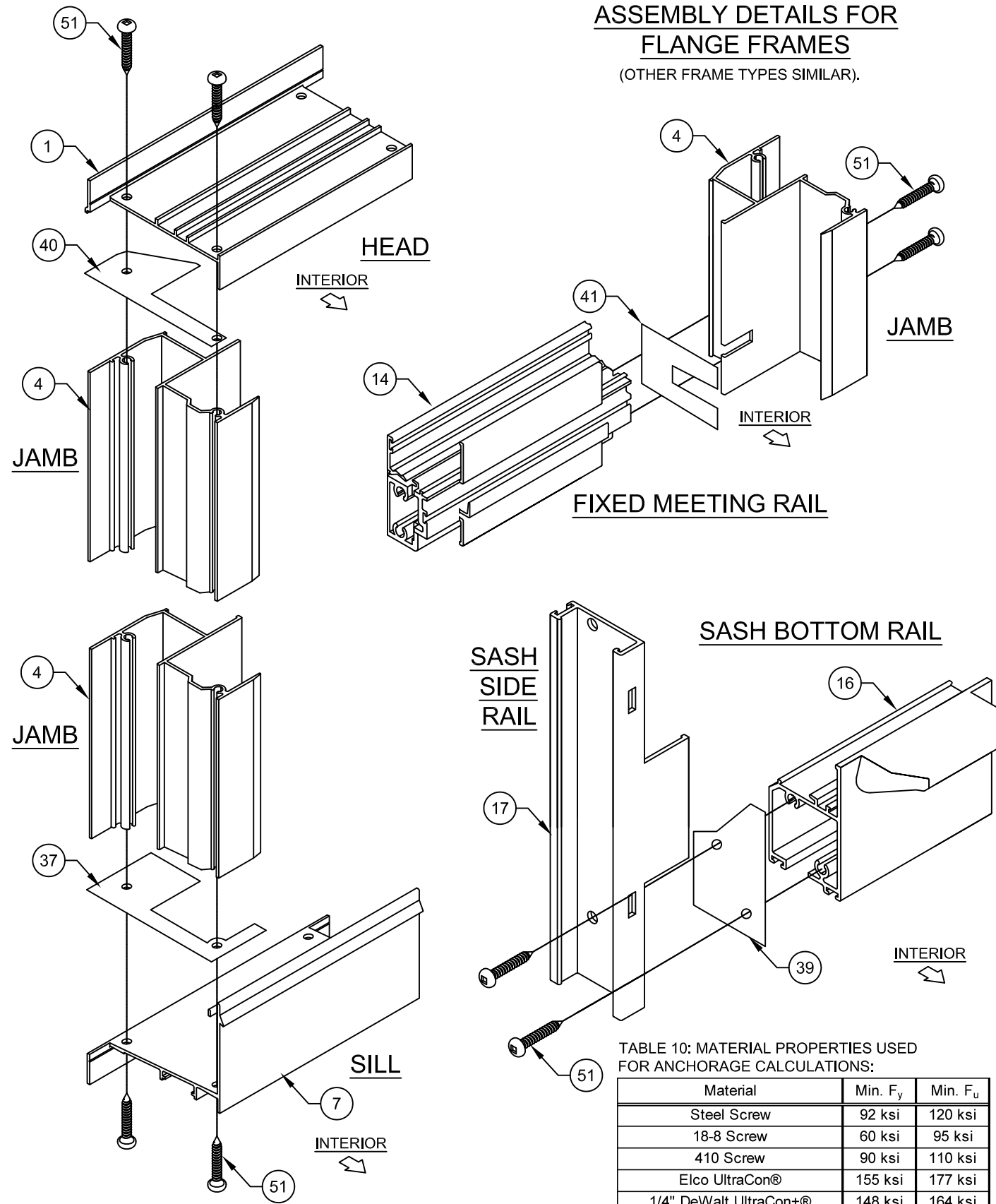


TABLE 11:

Item #	PGT Part #	Description	Material
1	642001	Head, Flange	Alum. 6063-T6
2	624017	Head, Integral Fin	Alum. 6063-T6
3	624028	Head, Equal-leg	Alum. 6063-T6
4	624004	Jamb, Flange	Alum. 6063-T6
4A		Jamb, Flange (Used For Alternate Radius Top Head)	Alum. 6063-T52
5	624020	Jamb, Integral Fin	Alum. 6063-T6
5A		Jamb, Integral Fin (Used For Alternate Radius Top Head)	Alum. 6063-T52
6	624031	Jamb, Equal-leg	Alum. 6063-T6
6A		Jamb, Equal-leg (Used For Alternate Radius Top Head)	Alum. 6063-T52
7	624002	Sill, Flange	Alum. 6063-T6
8	624018	Sill, Integral Fin	Alum. 6063-T6
9	624029	Sill, Equal-leg	Alum. 6063-T6
10	624003	Sill, Hi-Rise, Flange	Alum. 6063-T6
11	624019	Sill, Hi-Rise, Integral Fin	Alum. 6063-T6
12	624030	Sill, Hi-Rise, Equal-leg	Alum. 6063-T6
13	624006	Sash Top Rail	Alum. 6005A-T61
14	624005	Fixed Meeting Rail	Alum. 6005A-T61
15	624012	Sash Bottom Rail - Hi-Rise	Alum. 6063-T6
16	624068	Sash Bottom Rail	Alum. 6063-T6
17	624007	Sash Side Rail	Alum. 6063-T6
18	624051	Head Anchor Cover	Alum. 6063-T6
19	624015	Sash Stop	Alum. 6063-T6
25A	624009	IG Bead	Alum. 6063-T5
25B	624011	IG Snap Bead	Alum. 6063-T5
26	624010	5/16" Lami Beading	Alum. 6063-T6
27	624026	7/16" Lami Beading	Alum. 6063-T6
30	6TP247	Glazing Bead, Bulb Vinyl for #624023	Vinyl
31	6TP248	Glazing Bead, Bulb Vinyl for #624009 & #624011	Vinyl
32	724046	Sweep Latch (@ Top Rail)	Cast Zinc
33	624049	Bottom Latch (@ Sill)	Alum. 6063-T6
34		Setting Block (1/8" X 1/2" X 4")	Neoprene
35A		IG Setting Block (1/8" X 3/4" X 4")	Neoprene
35B	724014	IG Snap Setting Block	Vinyl
36	724044	Bottom Rail Weatherstrip Extension	
37	724053	Sill Gasket	Polyethylene
38	724054	Sash Top Rail Gasket	Polyethylene
39	724055	Sash Bottom Rail Gasket	Polyethylene
40	724057	Head Gasket	Polyethylene
41	724063	Meeting Rail Gasket	Polyethylene
42	61226D	Sash Bottom Rail Bulb Vinyl	Polyethylene
43		Weatherstrip, .270" x .187", Fin Seal (@ MR)	
44	67S16G	Weatherstrip, .170" X .270", Fin Seal (@ Sash Side Rail)	
45		Weatherstrip, .170" X .187", Fin Seal (@ Top Sash Rail)	
46	varies	Balance with Cover & Trim	Rigid Vinyl
51	781PSQX	#8 X 1" PH SMS (Assembly)	Stainless Steel
55	7834AA	#8 X 3/4" Ph. PN SMS (Balance)	Stainless Steel
63	-	Alum. Screen with Fiberglass Mesh	Varies
70	-	Kommerling Kodispace 4SG TPS	
71	-	Quanex Super Spacer nXT	See Sheet 10 for Materials
72	-	Quanex Duraseal Spacer	
73	-	Cardinal XL Edge Spacer	
74	-	Dow 791, 899, 983 or GE 7700 Backbedding	Silicone



NOTES:

- 1) ALL CORNERS TO USE GASKET AND/OR SEALANT.
- 2) SOME PARTS/OPTIONS NOT SHOWN ON DRAWING FOR CLARITY.

ASSEMBLY DETAILS FOR FLANGE FRAMES

(OTHER FRAME TYPES SIMILAR).

TABLE 10: MATERIAL PROPERTIES USED FOR ANCHORAGE CALCULATIONS:

Material	Min. F _y	Min. F _u
Steel Screw	92 ksi	120 ksi
18-8 Screw	60 ksi	95 ksi
410 Screw	90 ksi	110 ksi
Elco UltraCon®	155 ksi	177 ksi
1/4" DeWalt UltraCon+®	148 ksi	164 ksi
410 SS Elco/Dewalt CreteFlex®	127.4 ksi	189.7 ksi
6063-T5 Aluminum	16 ksi	22 ksi
A36 Steel	36 ksi	58 ksi
Gr. 33 Steel Stud	33 ksi	45 ksi

PRODUCT RENEWED
as complying with the Florida Building Code
NOA-No. 23-0707.10
Expiration Date 08/23/2028
By *Ishay L. Chand*
Miami-Dade Product Control

Revision: B) NO CHANGES THIS SHEET.
LY - 06/06/23

PREPARED BY A. LYNN MILLER 1070 TECHNOLOGY DRIVE N. VENICE, FL 34275 (941) 480-1600	REGISTRATION #29296	Date 04/01/18	Rev. B
	ALUMINUM SINGLE HUNG INSTALL. (LM)	Drawn By JENS ROSOWSKI	DWG No. 7700NOA-LM
PGT Custom Windows and Doors 1070 TECHNOLOGY DRIVE N. VENICE, FL 34275 (941) 480-1600	BOM & CORNER DETAILS	Sheet 11 OF 11	Series SH7700A

ANTHONY LYNN MILLER
 LICENSE
 No. 58705
Anthony Lynn Miller
 06/06/23
 STATE OF FLORIDA
 PROFESSIONAL ENGINEER
 A. LYNN MILLER, P.E.
 P.E.# 58705