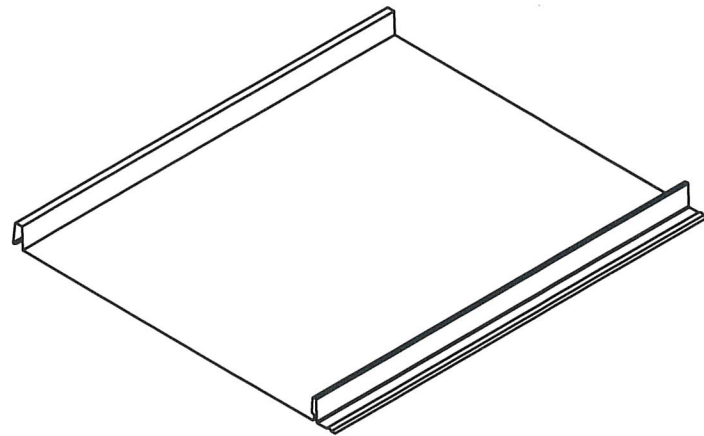
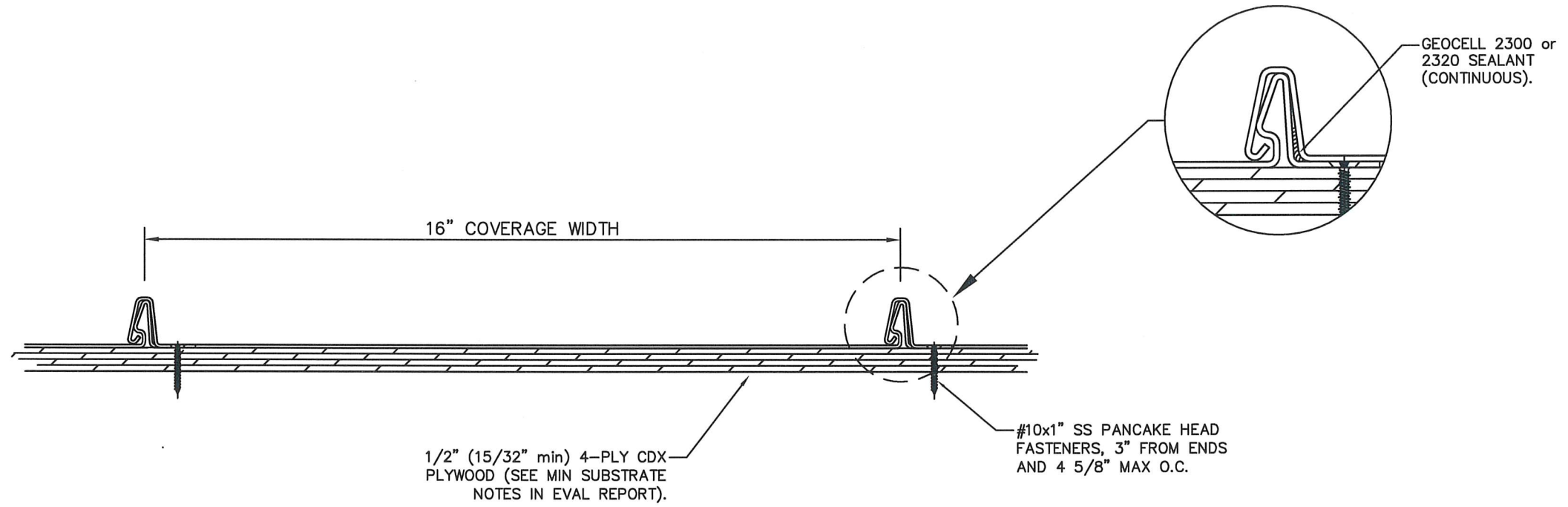
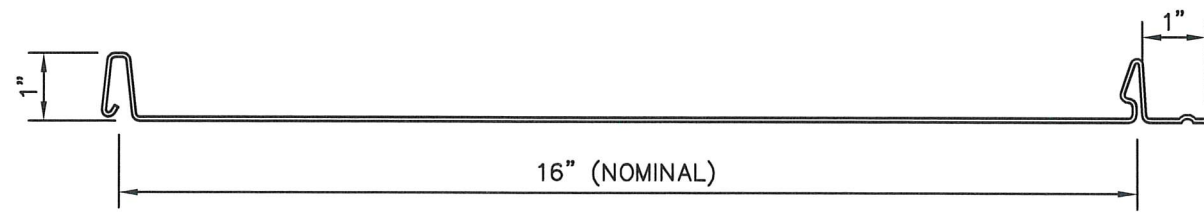


**ARMOUR LOC 0.032" ALUMINUM 1" NAILSTRIP
16" WIDE ROOF PANELS OVER 1/2" CDX PLYWOOD**



MAX DESIGN PRESSURE
-52.5 Psf



PANEL PROFILE

GENERAL NOTES:

1. ROOF SLOPE IS LIMITED PER THE REQUIREMENTS OF FBC SECTION 1507.4.2.
2. DESIGN OF SUBSTRATE IS BY OTHERS AND NOT A PART OF THIS APPROVAL.
3. ALL PANEL SYSTEM PERIMETERS, PENETRATIONS, AND TRANSITIONS TO BE FLASHED AND SEALED PER THE REQUIREMENTS OF RAS 133.

SCOTT WOLTERS FL PE# 62354	WOLTERS ENGINEERING (COA# 27194) 15211 97TH ROAD N WEST PALM BEACH, FL 33412 (561) 225-1982	1ST COAST METAL ROOFING SUPPLY 186 STATE ROAD 207 EAST PALATKA, FL 32131 PH: (561) 629-7288 www.1stcoastmrs.com	2023 CODE UPDATE 10/11/23	1ST SUBMITTAL 8/5/22	PRINTS ISSUED FDR REV#	DATE
-------------------------------	---	---	------------------------------	-------------------------	---------------------------	------

STATE OF FLORIDA PROFESSIONAL ENGINEERING

SCOTT WOLTERS
No. 62354
OCT 11 2023

1ST COAST METAL ROOFING SUPPLY
DWG: 1CANS16
SHEET: 1/1