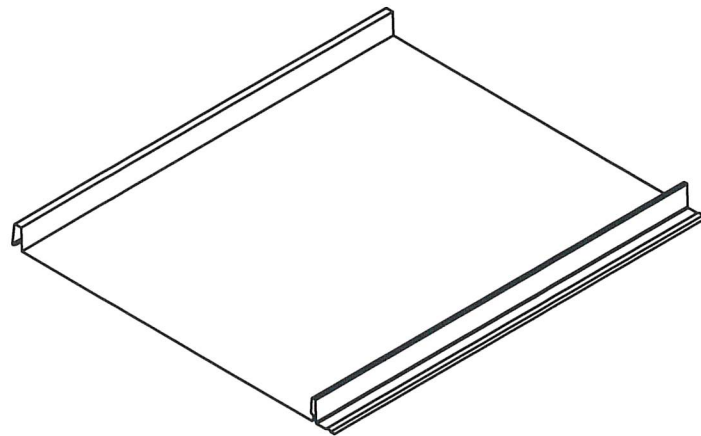
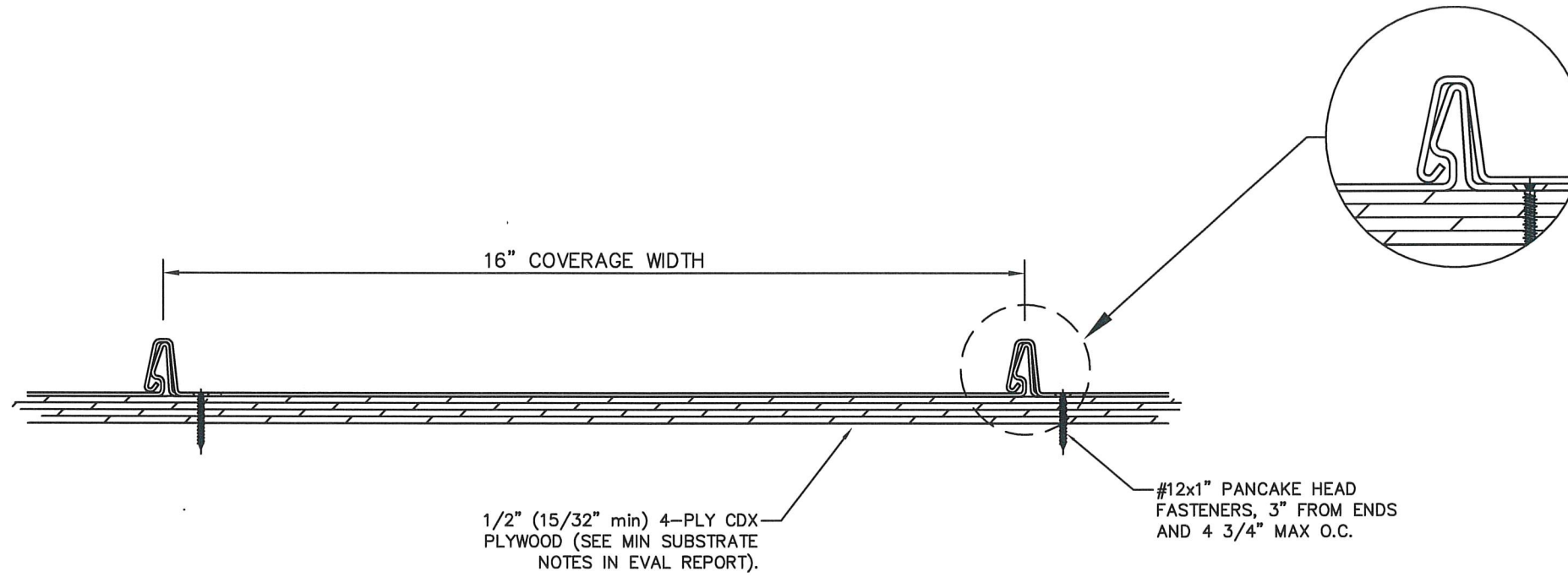
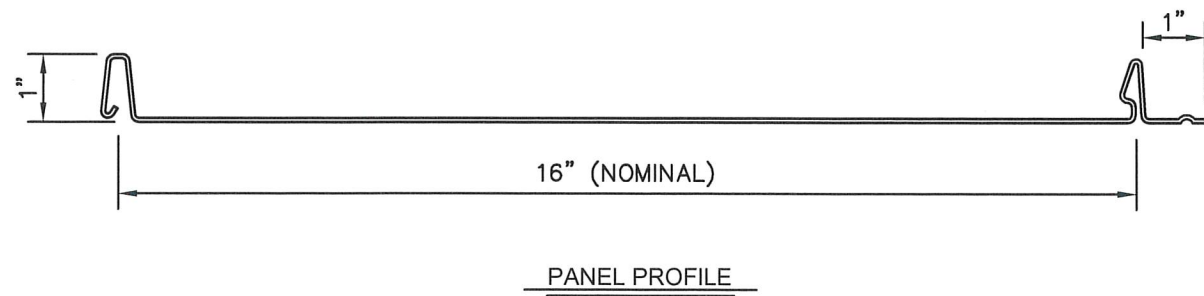


**ARMOUR LOC 26 Ga. STEEL 1" NAILSTRIP
16" WIDE ROOF PANELS OVER 1/2" CDX PLYWOOD**



MAX DESIGN PRESSURE
-86 Psf



GENERAL NOTES:

1. ROOF SLOPE IS LIMITED PER THE REQUIREMENTS OF FBC SECTION 1507.4.2.
2. DESIGN OF SUBSTRATE IS BY OTHERS AND NOT A PART OF THIS APPROVAL.
3. ALL PANEL SYSTEM PERIMETERS, PENETRATIONS, AND TRANSITIONS TO BE FLASHED AND SEALED PER THE REQUIREMENTS OF RAS 133.

SCOTT WOLTERS FL PE# 62354	WOLTERS ENGINEERING (COA# 27194) 15211 97TH ROAD N WEST PALM BEACH, FL 33412 (561) 225-1982	1ST COAST METAL ROOFING SUPPLY 186 STATE ROAD 207 EAST PALATKA, FL 32131 PH: (561) 629-7288 www.1stcoastmrs.com	10/11/23 8/5/22
SEAL: [Signature]	STATE OF FLORIDA PROFESSIONAL ENGINEER	1ST COAST METAL ROOFING SUPPLY	REV#
			DATE
			PRINTS ISSUED FOR
			2023 CODE UPDATE
			1ST SUBMITTAL
			10/11/23
			8/5/22
			1/1