



DEPARTMENT OF REGULATORY AND ECONOMIC RESOURCES (RER)
NOTICE OF ACCEPTANCE (NOA)

PGT Industries, Inc.
1070 Technology Drive
North Venice, FL 34275

SCOPE:

This NOA is being issued under the applicable rules and regulations governing the use of construction materials. The documentation submitted has been reviewed and accepted by Miami-Dade County RER - Product Control Section to be used in Miami Dade County and other areas where allowed by the Authority Having Jurisdiction (AHJ).

This NOA shall not be valid after the expiration date stated below. The Miami-Dade County Product Control Section (In Miami-Dade County) and/or the AHJ (in areas other than Miami-Dade County) reserve the right to have this product or material tested for quality assurance purposes. If this product or material fails to perform in the accepted manner, the manufacturer will incur the expense of such testing and the AHJ may immediately revoke, modify, or suspend the use of such product or material within their jurisdiction. RER reserves the right to revoke this acceptance if it is determined by Miami-Dade County Product Control Section that this product or material fails to meet the requirements of the applicable building code.

This product is approved as described herein and has been designed to comply with the Florida Building Code, including the High Velocity Hurricane Zone.

DESCRIPTION: Series "PW-740 Casement Picture" Aluminum Fixed Window – L.M.I.

APPROVAL DOCUMENT: Drawing No. MD-PW740-LM, titled "Casement Picture Window Details - LM", sheets 1 through 11 of 11, dated 08/08/12, with revision E dated 12/17/20, prepared by manufacturer, signed and sealed by Anthony Lynn Miller, P.E., bearing the Miami-Dade County Product Control Renewal stamp with the Notice of Acceptance number and expiration date by the Miami-Dade County Product Control Section.

MISSILE IMPACT RATING: Large and Small Missile Impact Resistant

LABELING: Each unit shall bear a permanent label with the manufacturer's name or logo, city, state, model/series, and following statement: "Miami-Dade County Product Control Approved", unless otherwise noted herein.

RENEWAL of this NOA shall be considered after a renewal application has been filed and there has been no change in the applicable building code negatively affecting the performance of this product.

TERMINATION of this NOA will occur after the expiration date or if there has been a revision or change in the materials, use, and/or manufacture of the product or process. Misuse of this NOA as an endorsement of any product, for sales, advertising or any other purposes shall automatically terminate this NOA. Failure to comply with any section of this NOA shall be cause for termination and removal of NOA.

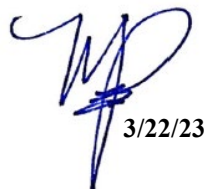
ADVERTISEMENT: The NOA number preceded by the words Miami-Dade County, Florida, and followed by the expiration date may be displayed in advertising literature. If any portion of the NOA is displayed, then it shall be done in its entirety.

INSPECTION: A copy of this entire NOA shall be provided to the user by the manufacturer or its distributors and shall be available for inspection at the job site at the request of the Building Official.

This NOA **renews NOA No. 20-1223.06** and consists of this page 1 and evidence pages E-1, E-2, E-3 and E-4, as well as approval document mentioned above.

The submitted documentation was reviewed by **Manuel Perez, P.E.**




3/22/23

NOA No. 23-0303.02
Expiration Date: April 11, 2028
Approval Date: March 30, 2023
Page 1

NOTICE OF ACCEPTANCE: EVIDENCE SUBMITTED


1. EVIDENCE SUBMITTED UNDER PREVIOUS NOA's

A. DRAWINGS

1. Manufacturer's die drawings and sections.
(Submitted under NOA No. 12-1218.11)
2. Drawing No. **MD-PW740-LM**, titled "Casement Picture Window Details - LM", sheets 1 through 11 of 11, dated 08/08/12, with revision **E** dated 12/17/20, prepared by manufacturer, signed and sealed by Anthony Lynn Miller, P.E.
(Submitted under NOA No. 20-1223.06)

B. TESTS

1. Test reports on: 1) Air Infiltration Test, per FBC, TAS 202-94
2) Uniform Static Air Pressure Test, Loading per FBC, TAS 202-94
3) Water Resistance Test, per FBC, TAS 202-94
4) Large Missile Impact Test per FBC, TAS 201-94
5) Cyclic Wind Pressure Loading per FBC, TAS 203-94
6) Forced Entry Test, per ASTM F588 and TAS 202-94
along with marked-up drawings and installation diagram of all PGT Industries, Inc. representative units listed below and tested to qualify **Dowsil 791** and **Dowsil 983** silicones, prepared by Fenestration Testing Laboratory, Inc., Test Reports No.: **FTL-7897**, PGT PW5520 PVC Fixed Window (unit 6 in proposal), dated 09/03/14
FTL-20-2107.1, PGT SGD780 Aluminum Sliding Glass Door (unit 7 in proposal)
FTL-20-2107.2, PGT CA740 Alum. Outswing Casement Window (unit 8 in proposal)
FTL-20-2107.3, PGT PW7620A Aluminum Fixed Window (unit 9 in proposal) and
FTL-20-2107.4, PGT PW7620A Aluminum Fixed Window (unit 10 in proposal) dated 07/13/20, all signed and sealed by Idalmis Ortega, P.E.
(Submitted under NOA No. 20-0401.14)
2. Test reports on: 1) Uniform Static Air Pressure Test, Loading per FBC, TAS 202-94
2) Large Missile Impact Test per FBC, TAS 201-94
3) Cyclic Wind Pressure Loading per FBC, TAS 203-94
along with marked-up drawings and installation diagram of a PVC sliding glass door, a PVC fixed window and an aluminum sliding glass door, using: Kodispace 4SG TPS spacer system, Duraseal® spacer system, Super Spacer® NXT™ spacer system and XL Edge™ spacer system at insulated glass, prepared by Fenestration Testing Laboratory, Inc., Test Reports No. **FTL-8717**, **FTL-8968** and **FTL-8970**, dated 11/16/15, 06/07/16 and 06/02/16 respectively, all signed and sealed by Idalmis Ortega, P.E.
(Submitted under NOA No. 16-0629.22)


Manuel Pérez, P.E.
Product Control Examiner
NOA No. 23-0303.02
Expiration Date: April 11, 2028
Approval Date: March 30, 2023

NOTICE OF ACCEPTANCE: EVIDENCE SUBMITTED

1. EVIDENCE SUBMITTED UNDER PREVIOUS NOA's (CONTINUED)

B. TESTS (CONTINUED)

3. Test reports on: 1) Air Infiltration Test, per FBC, TAS 202-94
2) Uniform Static Air Pressure Test, Loading per FBC, TAS 202-94
3) Water Resistance Test, per FBC, TAS 202-94
4) Large Missile Impact Test per FBC, TAS 201-94
5) Cyclic Wind Pressure Loading per FBC, TAS 203-94
6) Forced Entry Test, per FBC 2411.3.2.1, and TAS 202-94
along with marked-up drawings and installation diagram of a series CA-740F aluminum fixed casement window, prepared by Fenestration Testing Laboratory, Inc., Test Report No. **FTL-7063**, dated 09/17/12, signed and sealed by Marlin D. Brinson, P.E.
(Submitted under NOA No. 12-1218.11)

C. CALCULATIONS


1. Anchor verification calculations and structural analysis, complying with **FBC 6th Edition (2017)** and **FBC 7th Edition (2020)** dated 03/19/20. prepared by manufacturer, signed and sealed by Anthony Lynn Miller, P.E.
(Submitted under NOA No. 20-0401.14)

D. QUALITY ASSURANCE

1. Miami-Dade Department of Regulatory and Economic Resources (RER).

E. MATERIAL CERTIFICATIONS

1. Notice of Acceptance No. **19-0305.02** issued to **Kuraray America, Inc.** for their "Trosifol® Ultraclear, Clear and Color PVB Glass Interlayers" dated 05/09/19, expiring on 07/08/24.
2. Notice of Acceptance No. **17-0808.02** issued to **Kuraray America, Inc.** for their "SentryGlas® (Clear and White) Glass Interlayers" dated 12/28/17, expiring on 07/04/23.


Manuel Pérez, P.E.
Product Control Examiner
NOA No. 23-0303.02
Expiration Date: April 11, 2028
Approval Date: March 30, 2023

PGT Industries, Inc.

NOTICE OF ACCEPTANCE: EVIDENCE SUBMITTED


1. EVIDENCE SUBMITTED UNDER PREVIOUS NOA's (CONTINUED)

F. STATEMENTS

1. Statement letter of conformance, complying with **FBC 6th Edition (2017)** and the **FBC 7th Edition (2020)**, dated December 17, 2020, issued by manufacturer, signed and sealed by Anthony Lynn Miller, P.E.
(Submitted under NOA No. 20-1223.06)
2. Statement letter of no financial interest, dated December 17, 2020, issued by manufacturer, signed and sealed by Anthony Lynn Miller, P.E.
(Submitted under NOA No. 20-1223.06)
3. Proposal No. **19-1155 TP** issued by the Product Control Section, dated January 10, 2020, signed by Ishaq Chanda, P.E.
(Submitted under NOA No. 20-0401.14)

G. OTHERS

1. Notice of Acceptance No. **20-0401.14**, issued to PGT Industries, Inc. for their Series "CA-740F Fixed Casement" Aluminum Fixed Window - L.M.I." approved on 08/06/20 and expiring on 04/11/23.


Manuel Pérez, P.E.
Product Control Examiner
NOA No. 23-0303.02
Expiration Date: April 11, 2028
Approval Date: March 30, 2023

PGT Industries, Inc.

NOTICE OF ACCEPTANCE: EVIDENCE SUBMITTED

2. NEW EVIDENCE SUBMITTED

A. DRAWINGS

1. None.

B. TESTS

1. None.

C. CALCULATIONS

1. None.

D. QUALITY ASSURANCE

1. Miami-Dade Department of Regulatory and Economic Resources (RER)

E. MATERIAL CERTIFICATIONS


1. Notice of Acceptance No. **20-0915.22** issued to **Kuraray America, Inc.** for their “**Trosifol® Ultraclear, Clear and Color PVB Glass Interlayers**” dated 11/19/20, expiring on 07/08/24.
2. Notice of Acceptance No. **22-1116.01** issued to **Kuraray America, Inc.** for their “**SentryGlas® (Clear and White) Glass Interlayers**” dated 12/15/22, expiring on 07/04/28.

F. STATEMENTS

1. Statement letter of conformance, complying with **FBC 7th Edition (2020)**, dated March 1, 2023, issued by manufacturer, signed and sealed by Anthony Lynn Miller, P.E.
2. Statement letter of no financial interest, dated March 1, 2023, issued by manufacturer, signed and sealed by Anthony Lynn Miller, P.E.

G. OTHERS

1. Notice of Acceptance No. **20-1223.06**, issued to PGT Industries, Inc. for their Series “**PW740 Casement Picture**” Aluminum Fixed Window – L.M.I.” approved on 03/04/21 and expiring on 04/11/23.


Manuel Pérez, P.E.
Product Control Examiner
NOA No. 23-0303.02
Expiration Date: April 11, 2028
Approval Date: March 30, 2023

GENERAL NOTES: SERIES PW740
IMPACT-RESISTANT CASEMENT PICTURE WINDOW

1) THIS PRODUCT HAS BEEN DESIGNED & TESTED TO COMPLY WITH THE REQUIREMENTS OF THE FLORIDA BUILDING CODE, INCLUDING THE HIGH VELOCITY HURRICANE ZONE (HVHZ).

2) SHUTTERS ARE NOT REQUIRED WHEN USED IN WIND-BORNE DEBRIS REGIONS. FOR INSULATED GLASS INSTALLATIONS ABOVE 30' IN THE HVHZ, THE OUTBOARD LITE (CAP) MUST TEMPERED.

3) FOR MASONRY APPLICATIONS IN MIAMI-DADE COUNTY, USE ONLY MIAMI-DADE COUNTY APPROVED MASONRY ANCHORS. MATERIALS USED FOR ANCHOR EVALUATIONS WERE SOUTHERN PINE, ASTM C90 CONCRETE MASONRY UNITS AND CONCRETE WITH MIN. KSI PER ANCHOR TYPE, SEE TABLE 3, SHEET 4.

4) ALL WOOD BUCKS LESS THAN 1-1/2" THICK ARE TO BE CONSIDERED 1X INSTALLATIONS. 1X WOOD BUCKS ARE OPTIONAL IF UNIT IS INSTALLED DIRECTLY TO SUBSTRATE. WOOD BUCKS DEPICTED AS 2X ARE 1-1/2" THICK OR GREATER. 1X AND 2X BUCKS (WHEN USED) SHALL BE DESIGNED TO PROPERLY TRANSFER LOADS TO THE STRUCTURE. WOOD BUCK DESIGN AND INSTALLATION IS THE RESPONSIBILITY OF THE ENGINEER OR ARCHITECT OF RECORD.

5) ANCHOR EMBEDMENT TO BASE MATERIAL SHALL BE BEYOND WALL DRESSING OR STUCCO. USE ANCHORS OF SUFFICIENT EMBEDMENT AS SPECIFIED ON TABLE 3, SHEET 4. NARROW JOINT SEALANT IS USED ON ALL FOUR CORNERS OF THE FRAME. INSTALLATION ANCHORS SHOULD BE SEALED. OVERALL SEALING/FLASHING STRATEGY FOR WATER RESISTANCE OF INSTALLATION SHALL BE DONE BY OTHERS AND IS BEYOND THE SCOPE OF THESE INSTRUCTIONS.

6) SHIMS ARE REQUIRED AT EACH ANCHOR LOCATION WHERE THE PRODUCT IS NOT FLUSH TO THE SUBSTRATE. USE SHIMS CAPABLE OF TRANSFERRING APPLIED LOADS. WOOD BUCKS, BY OTHERS, MUST BE SUFFICIENTLY ANCHORED TO RESIST LOADS IMPOSED ON THEM BY THE WINDOW.

7) DESIGN PRESSURES:
 A. NEGATIVE DESIGN LOADS BASED ON STRUCTURAL TEST PRESSURE, FRAME ANALYSIS AND GLASS PER ASTM E1300.
 B. POSITIVE DESIGN LOADS BASED ON WATER TEST PRESSURE, STRUCTURAL TEST PRESSURE, FRAME ANALYSIS AND GLASS PER ASTM E1300.
 C. DESIGN LOADS ARE BASED ON ALLOWABLE STRESS DESIGN, ASD.

8) THE ANCHORAGE METHODS SHOWN HAVE BEEN DESIGNED TO RESIST THE WINDLOADS CORRESPONDING TO THE REQUIRED DESIGN PRESSURE. THE 33-1/3% STRESS INCREASE HAS NOT BEEN USED IN THE DESIGN OF THIS PRODUCT. THE 1.6 LOAD DURATION FACTOR WAS USED FOR THE EVALUATION OF ANCHORS INTO WOOD. ANCHORS THAT COME INTO CONTACT WITH OTHER DISSIMILAR MATERIALS SHALL MEET THE REQUIREMENTS OF THE FLORIDA BUILDING CODE FOR CORROSION RESISTANCE.

9) REFERENCES: TEST REPORTS FTL-7063, 3579, 3580, 3724; DEWALT ULTRACON+ NOA; ELCO ULTRACON NOA; DEWALT/ELCO CRETEFLEX NOA; ANSI/AF&PA NDS FOR WOOD CONSTRUCTION AND ADM ALUMINUM DESIGN MANUAL.

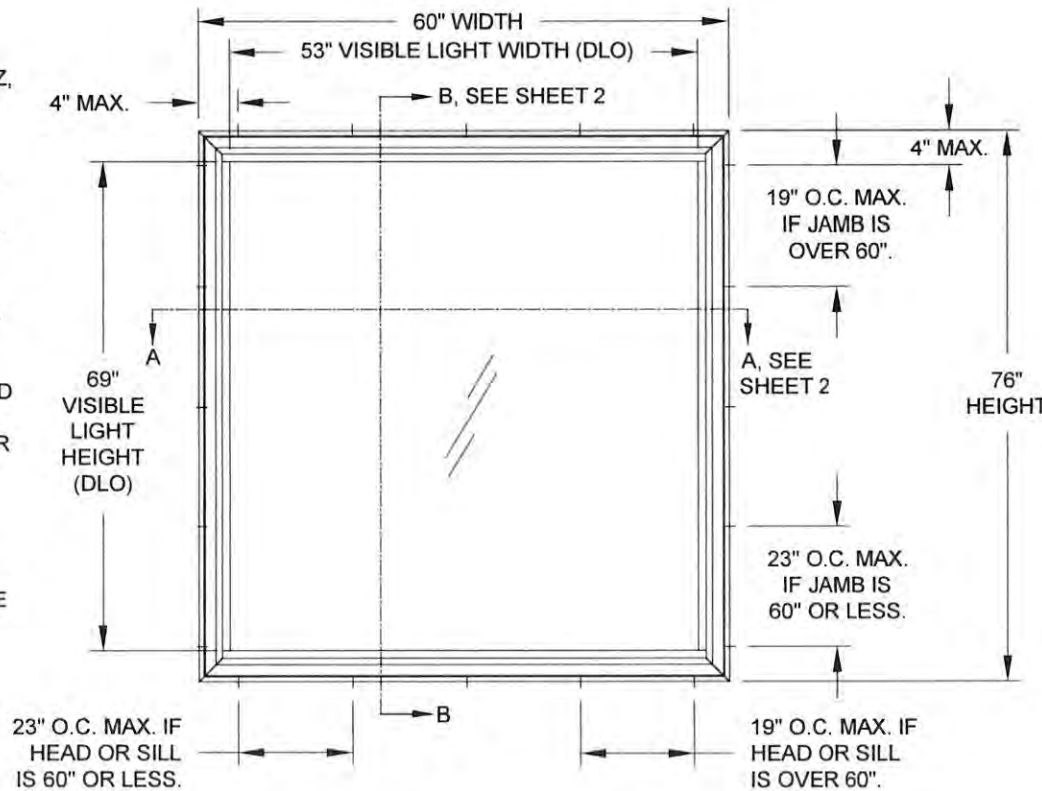
10) THE PW740 CASEMENT PICTURE WINDOW WAS FORMERLY KNOWN AS THE CA740F FIXED CASEMENT WINDOW.

CODES / STANDARDS USED:

- 2020 FLORIDA BUILDING CODE (FBC), 7TH EDITION
- 2017 FLORIDA BUILDING CODE (FBC), 6TH EDITION
- ASTM E1300-04
- ANSI/AF&PA NDS-2018 FOR WOOD CONSTRUCTION
- ALUMINUM DESIGN MANUAL, ADM-2015
- AISI S100-16
- AISC 360-16

GENERAL NOTES.....	1
ELEVATION.....	1
GLAZING DETAILS.....	1
INSTALLATION.....	2
ASSEMBLY TUBE DETAILS.....	3
ANCHOR SPECIFICATIONS.....	4
ANCHOR QUANTITIES.....	4-5
DESIGN PRESSURES.....	6-10
ASSEMBLY DETAILS/BOM.....	11

DESIGN PRESSURE RATING	IMPACT RATING
VARIABLES, SEE SHEETS 6-10	RATED FOR LARGE & SMALL MISSILE IMPACT RESISTANCE

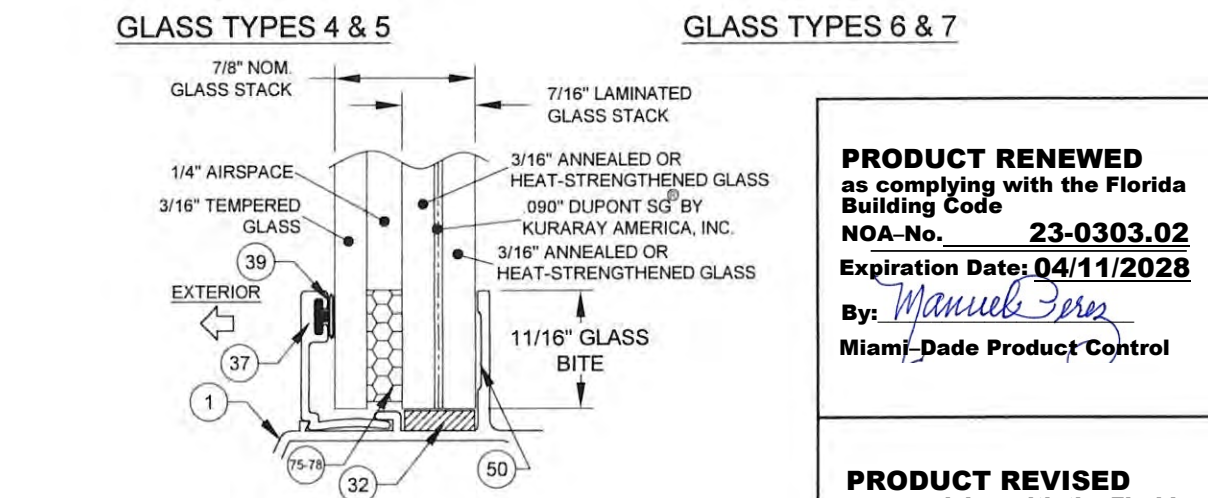
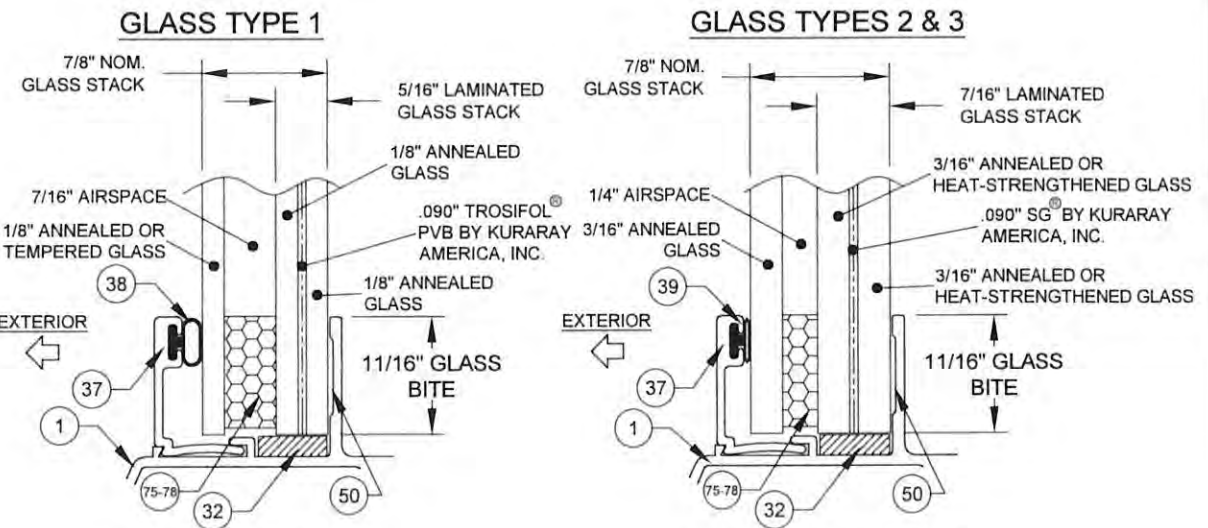
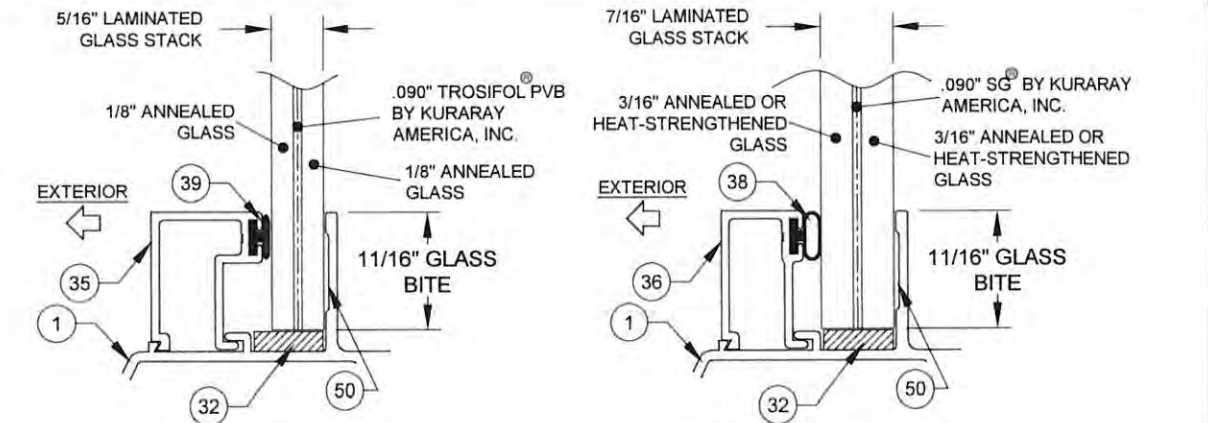


TYP. ELEVATION OF CASEMENT PICTURE WINDOW

TABLE 1:

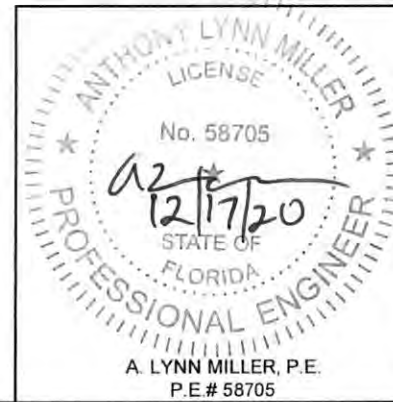
	Glass Types	Sheet #
1	5/16" Lami (1/8 An - .090" PVB - 1/8 An)	6
2	7/16" Lami (3/16 An - .090" SG - 3/16 An)	8
3	7/16" Lami (3/16 HS - .090" SG - 3/16 HS)	9
4	7/8" Lami. IG (1/8" An - 7/16" Air - 1/8" An - .090" PVB - 1/8" An)	10
5	7/8" Lami. IG (1/8" T - 7/16" Air - 1/8" An - .090" PVB - 1/8" An)	7
6	7/8" Lami. IG (3/16" An - 1/4" Air - 3/16" An - .090" SG - 3/16" An)	8
7	7/8" Lami. IG (3/16" An - 1/4" Air - 3/16" HS - .090" SG - 3/16" HS)	9
8	7/8" Lami. IG (3/16" T - 1/4" Air - 3/16" An - .090" SG - 3/16" An)	8
9	7/8" Lami. IG (3/16" T - 1/4" Air - 3/16" HS - .090" SG - 3/16" HS)	9

"PVB"= TROSFOL® PVB INTERLAYER BY KURARAY AMERICA, INC.
 "SG"= SENTRYGLAS® INTERLAYER BY KURARAY AMERICA, INC.



PRODUCT RENEWED
 as complying with the Florida Building Code
 NOA-No. **23-0303.02**
 Expiration Date: **04/11/2028**
 By: *Manuel Perez*
 Miami-Dade Product Control

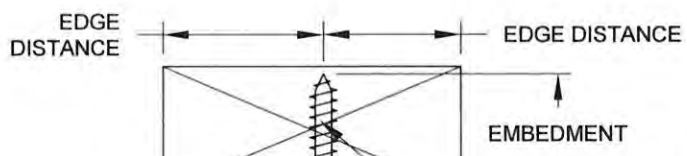
PRODUCT REVISED
 as complying with the Florida Building Code
 NOA-No. **20-1223.06**
 Expiration Date **04/11/2023**
 By: *[Signature]*
 Miami-Dade Product Control



PCT
 1070 TECHNOLOGY DRIVE
 N. VENICE, FL 34275
 (941) 480-1600
 REGISTRATION #29296

Revised By: JR	Date: 03/13/20	Revision D: UPDATED ANCHORAGE PER FBC 2020.
Revised By: JR	Date: 12/17/20	Revision E: UPDATED SERIES NAME.
Description: GENERAL NOTES & ELEVATION		Drawn By: J ROSOWSKI
Title: CASEMENT PICTURE WINDOW DETAILS - LM		Date: 08/08/12
Series/Model: PW-740	Scale: NTS	Sheet: 1 OF 11
Drawing No. MD-PW740-LM	Rev: E	

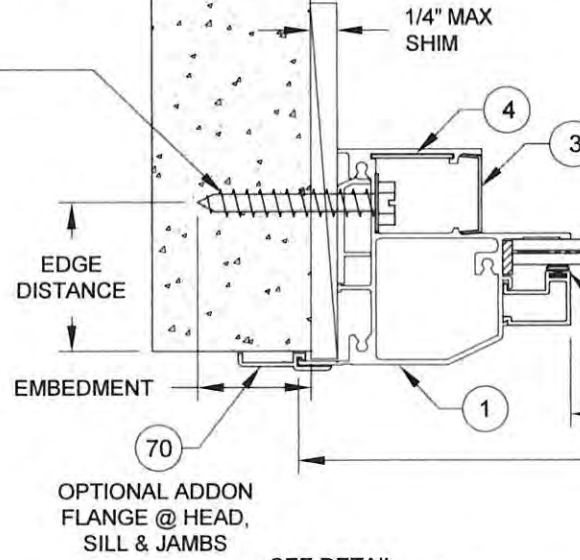
INSTALLATION OPTION 1
INSTALLATION ANCHORS INTO 2X WOOD.



INSTALLATION OPTION 2
INSTALLATION ANCHORS DIRECTLY INTO MASONRY.

TYP. ANCHOR TYPE, EMBEDMENT AND EDGE DISTANCE PER SUBSTRATE, SEE TABLE 3, SHEET 4.

CONCRETE/CMU PER ANCHOR REQUIREMENT



INSTALLATION OPTION 4
INSTALLATION ANCHORS DIRECTLY INTO METAL.

AS REQUIRED PER TABLE 3, SHEET 4

STEEL SELF-DRILLING SMS, SEE TABLE 3, SHEET 4.

EDGE DISTANCE

DADE APPROVED MULLION, ALUMINUM, STEEL FRAMING OR STEEL STUD.

EXTERIOR

HORIZONTAL SECTION A-A

WINDOW HEIGHT

VISIBLE LIGHT HEIGHT (DLO)

BUCK HEIGHT

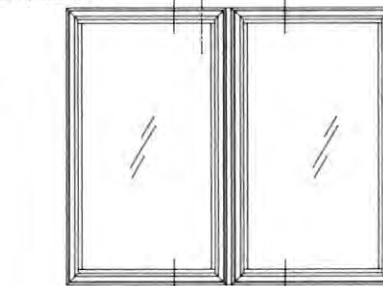
EXTERIOR

NOTES:

1) USE ONLY SUBSTRATE-APPROPRIATE ANCHORS LISTED ON TABLE 3, SHEET 4. FOLLOW EMBEDMENT AND EDGE DISTANCE LIMITS. ANY INSTALLATION OPTION SHOWN MAY BE USED ON ANY SIDE OF THE WINDOW.

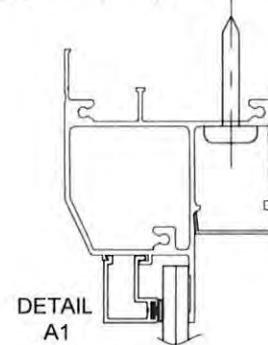
2) ALL WOOD BUCKS LESS THAN 1-1/2" THICK ARE TO BE CONSIDERED 1X INSTALLATIONS. 1X WOOD BUCKS ARE OPTIONAL. UNIT MAY BE INSTALLED DIRECTLY TO SUBSTRATE. WOOD BUCKS DEPICTED AS 2X ARE 1-1/2" THICK OR GREATER. 1X AND 2X BUCKS (WHEN USED) SHALL BE DESIGNED TO PROPERLY TRANSFER LOADS TO THE STRUCTURE. WOOD BUCK DESIGN AND INSTALLATION IS THE RESPONSIBILITY OF THE ENGINEER OR ARCHITECT OF RECORD. MAXIMUM SHIM THICKNESS TO BE 1/4".

SEE DETAIL A1, BELOW

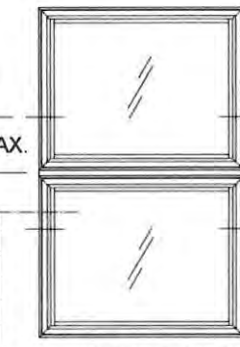


10" MAX.

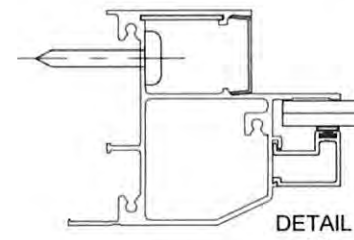
10" MAX.



DETAIL A1



SEE DETAIL A2, BELOW



DETAIL A2

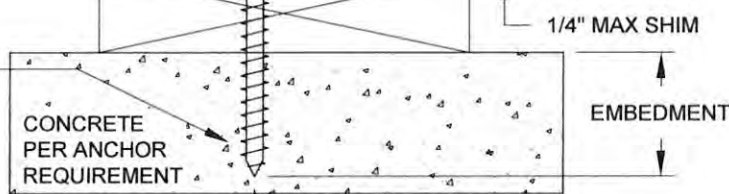
NOTES:

1) WHEN INSTALLING COMBINATION UNITS, ADDITIONAL INSTALLATION ANCHORS MAY NEED TO BE INSTALLED THROUGH THE WINDOW FRAMES AT 10" MAX. FROM EACH SIDE OF THE FRAME ASSEMBLY TUBE CENTERLINE. SEE TABLE BELOW:

Additional Anchors Required on each Side of the Frame Assembly Tube (FAT)			
Vert. FAT	Window Width	Anchor Type	
		A	B, C & D
	17" - 25.9"	1	0
	26"+	1	1
Horiz. FAT	Window Height	Anchor Type	
		A	B, C & D
	17" - 25.9"	1	0
	26"+	1	1

VISIBLE LIGHT FORMULAS
WIDTH: WINDOW WIDTH - 7
HEIGHT: WINDOW HEIGHT - 7

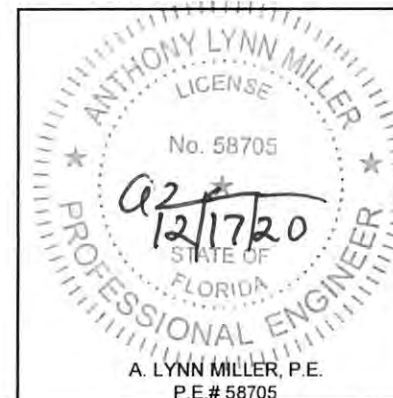
INSTALLATION OPTION 3
INSTALLATION ANCHORS THROUGH 1X BUCKSTRIP INTO MASONRY.



VERTICAL SECTION B-B

PRODUCT RENEWED
as complying with the Florida Building Code
NOA-No. **23-0303.02**
Expiration Date: **04/11/2028**
By: *Manuel Perez*
Miami-Dade Product Control

PRODUCT REVISED
as complying with the Florida Building Code
NOA-No. **20-1223.06**
Expiration Date **04/11/2023**
By: *[Signature]*
Miami-Dade Product Control



PGT
1070 TECHNOLOGY DRIVE
N. VENICE, FL 34275
(941) 480-1600

REGISTRATION #29296

Revised By: JR	Date: 03/13/20	Revision D: NO CHANGES.
Revised By: JR	Date: 12/17/20	Revision E: UPDATED SERIES NAME.

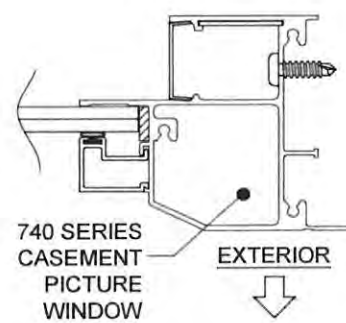
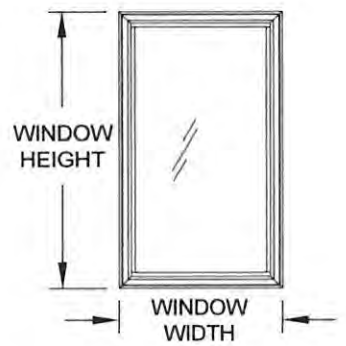
Description: **GENERAL NOTES & ELEVATION**

Title: **CASEMENT PICTURE WINDOW DETAILS - LM** Date: **08/08/12**

Series/Model: PW-740	Scale: NTS	Sheet: 2 OF 11	Drawing No. MD-PW740-LM	Rev: E
----------------------	------------	----------------	-------------------------	--------

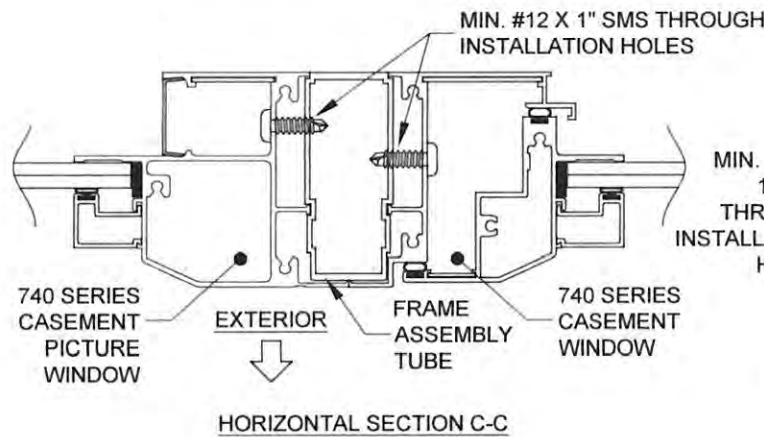
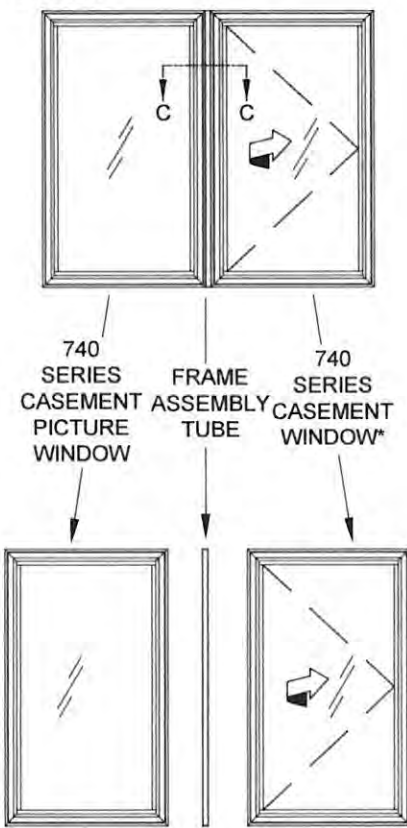
Drawn By: **J ROSOWSKI**

CASEMENT PICTURE WINDOW (O)



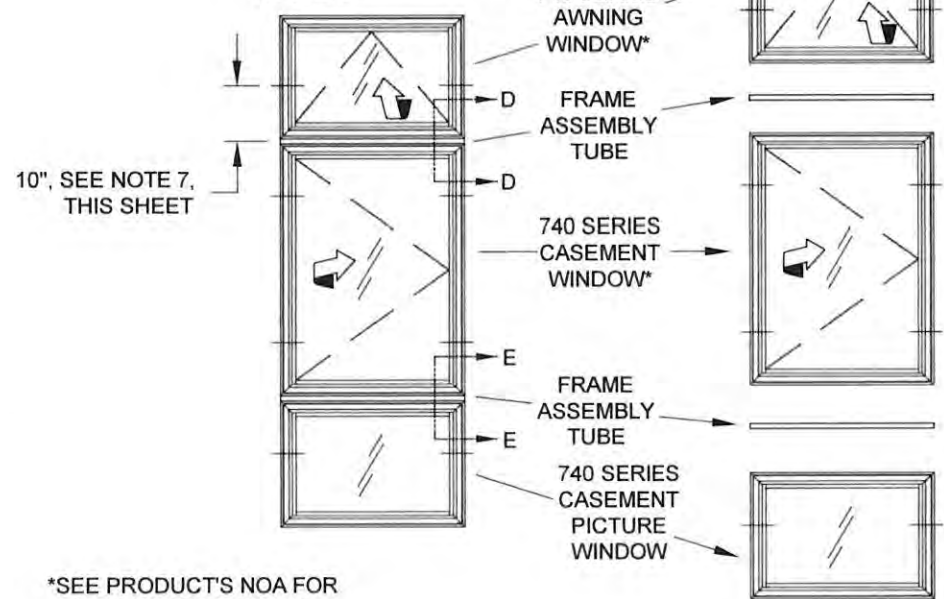
CASEMENT PICTURE WINDOW / CASEMENT (OX)

FIGURE 1:

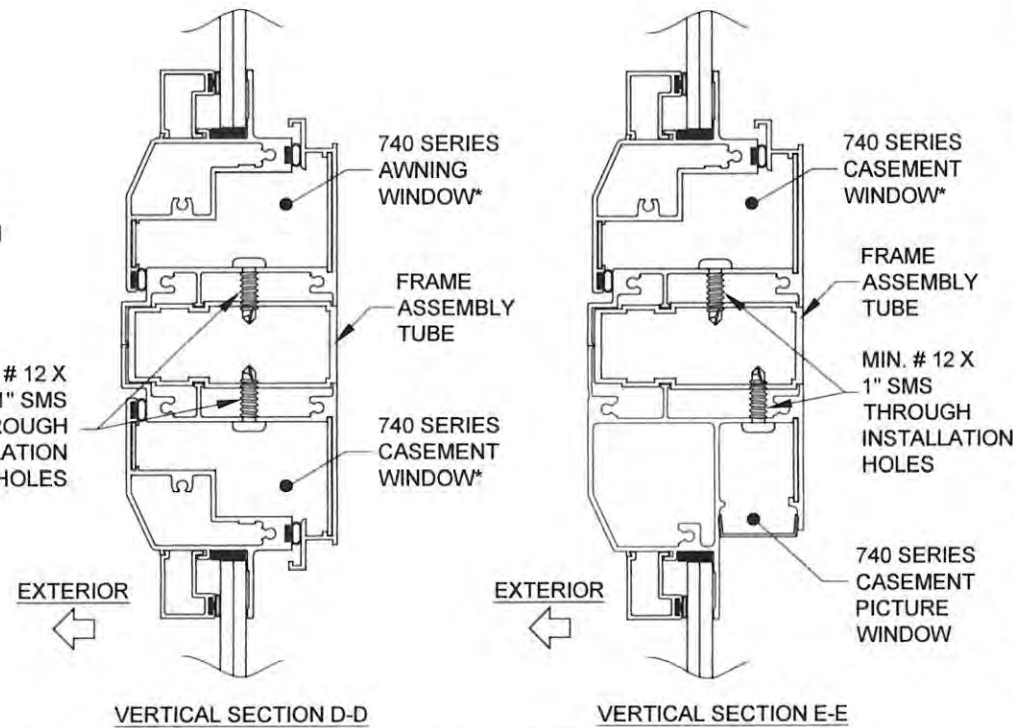


AWNING / CASEMENT / CASEMENT PICTURE WINDOW (XXO)

FIGURE 2:



*SEE PRODUCT'S NOA FOR INSTALLATION SPECS



FOR SINGLE UNITS:

- 1) DETERMINE YOUR WINDOW SIZE AND GLASS.
- 2) KNOWING YOUR ANCHOR TYPE AND SUBSTRATE, DETERMINE YOUR ANCHOR GROUP FROM TABLE 3, SHEET 4.
- 3) FROM SHEETS 6-10, FIND THE SHEET FOR YOUR GLASS TYPE. FIND THE PRODUCT'S DESIGN PRESSURE FROM THE TABLE LABELED "DESIGN PRESSURE (PSF) FOR SINGLE WINDOWS, ALL ANCHOR GROUPS".
- 4) DIMENSIONS SHOWN ARE TIP-TO-TIP. FOR SIZES NOT SHOWN, ROUND UP TO THE NEXT AVAILABLE WIDTH OR HEIGHT DIMENSION SHOWN ON THE TABLES.
- 5) USING THE TABLES LABELED "WINDOW ANCHORS REQUIRED" (TABLES 2A & 2B, SHEETS 4 & 5), DETERMINE THE NUMBER OF ANCHORS NEEDED IN THE HEAD, SILL AND JAMBS OF YOUR WINDOW.
- 6) INSTALL AS PER THE INSTRUCTIONS ON SHEET 2.

FOR EACH WINDOW IN A COMBINED ASSEMBLY:

- 1) DETERMINE EACH INDIVIDUAL WINDOW TYPE, SIZE AND GLASS MAKEUP, SEE FIGURES 1 & 2, THIS SHEET. DETERMINE YOUR ANCHOR GROUP FROM TABLE 3, SHEET 4.
- 2) FROM SHEETS 6-10, FIND THE SHEET FOR YOUR GLASS TYPE.
- 3) FIND THE DESIGN PRESSURE FROM THE TABLES LABELED "DESIGN PRESSURE (PSF) FOR WINDOWS ATTACHED TO A FRAME ASSEMBLY TUBE". THIS MUST BE DONE FOR EACH WINDOW IN THE ASSEMBLY, AND THE LOWEST DESIGN PRESSURE APPLIES TO THE ENTIRE ASSEMBLY. DIMENSIONS SHOWN ARE TIP-TO-TIP. FOR SIZES NOT SHOWN, ROUND UP TO THE NEXT AVAILABLE WIDTH OR HEIGHT DIMENSION SHOWN ON THE TABLES.
- 4) USING THE TABLE LABELED "WINDOW ANCHORS REQUIRED" (TABLES 2A & 2B, SHEETS 4 & 5), DETERMINE THE NUMBER OF ANCHORS NEEDED IN THE HEAD, SILL AND JAMBS OF YOUR WINDOW.
- 5) INSTALL AS PER THE INSTRUCTIONS ON SHEETS 2-3. NOTE THAT ADDITIONAL ANCHORS THROUGH THE WINDOW FRAME INTO THE SUBSTRATE MAY BE REQUIRED (SEE SHEET 2), AND THAT MIN. # 12 X 1" ANCHORS ARE TO BE USED THROUGH THE FRAME INTO THE FRAME ASSEMBLY TUBE (SEE DETAILS ON THIS SHEET).

PRODUCT RENEWED
as complying with the Florida Building Code
NOA-No. **23-0303.02**
Expiration Date: **04/11/2028**
By: *Manuel Perez*
Miami-Dade Product Control

PRODUCT REVISED
as complying with the Florida Building Code
NOA-No. **20-1223.06**
Expiration Date **04/11/2023**
By: *[Signature]*
Miami-Dade Product Control

FRAME ASSEMBLY TUBE NOTES:

- 1) DIMENSIONS SHOWN ARE TIP-TO-TIP DIMENSIONS FOR EACH INDIVIDUAL WINDOW. FOR SIZES NOT SHOWN, ROUND UP TO THE NEXT AVAILABLE WIDTH OR HEIGHT DIMENSION SHOWN ON THE TABLES.
- 2) ANY 740-SERIES PRODUCT (CASEMENT, AWNING OR CASEMENT PICTURE WINDOW) MAY BE ATTACHED TO THE FRAME ASSEMBLY TUBE. FOR ALL WINDOWS, USE THE WINDOW'S NOA FOR ANCHORAGE, SIZE AND DESIGN PRESSURE LIMITATIONS.
- 3) ALL WINDOWS IN THE COMBINATION UNIT MUST BE ABLE TO INDIVIDUALLY COMPLY WITH THE REQUIREMENTS OF THEIR RESPECTIVE NOA.
- 4) FRAME ASSEMBLY TUBE TO BE FASTENED TO WINDOW, AS SHOW IN DETAILS, WITH MIN. #12 X 1" SHEET METAL SCREWS. USE THE SAME SPACING AND QUANTITY AS THE OPPOSITE FRAME MEMBER.
- 5) THE FRAME ASSEMBLY TUBE MAY NOT EXCEED 62" IN LENGTH (AS USED IN A 63" FLANGED WINDOW) OR BE USED IN TEE OR CROSS CONFIGURATIONS.
- 6) THE FRAME ASSEMBLY TUBE IS NOT REQUIRED TO BE CLIPPED TO THE SUBSTRATE. ALL EXTERIOR JOINTS TO BE SEALED BY INSTALLER.
- 7) FOR ALL COMBINATION UNITS, ADDITIONAL INSTALLATION ANCHORS MAY NEED TO BE INSTALLED THROUGH THE WINDOW FRAMES AT 10" MAX. FROM EACH SIDE OF THE FRAME ASSEMBLY TUBE CENTERLINE. SEE TABLE BELOW:

Additional Anchors Required on each Side of the Frame Assembly Tube (FAT)			
Vert. FAT	Window Width	Anchor Type	
		A	B, C & D
Vert. FAT	17" - 25.9"	1	0
	26"+	1	1
Horiz. FAT	Window Height	Anchor Type	
		A	B, C & D
Horiz. FAT	17" - 25.9"	1	0
	26"+	1	1

Revised By: J ROSOWSKI	Date: 03/13/20	Revision D: NO CHANGES.
Drawn By: J ROSOWSKI	Date: 08/08/12	Revision E: UPDATED SERIES NAME
Description: FRAME ASSEMBLY TUBE DETAILS		
Title: CASEMENT PICTURE WINDOW DETAILS - LM		
Series/Model: PW-740	Scale: NTS	Sheet: 3 OF 11
1070 TECHNOLOGY DRIVE N. VENICE, FL 34275 (941) 480-1600		Rev: E
REGISTRATION #29296		

ANTHONY LYNN MILLER
LICENSE
No. 58705
12/17/20
STATE OF FLORIDA
PROFESSIONAL ENGINEER
A. LYNN MILLER, P.E.
P.E.# 58705

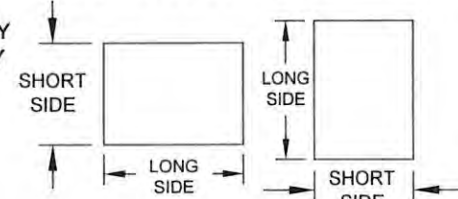
TABLE 2A:

Anchor Type		Window Anchors Required (37" and Less on Short Side Dimension)																																			
		Short Side																																			
		under 23"				25-15/16"				27-3/4"				29"				31-1/2"				33-1/2"				34"				37"							
		A	B	C	D	A	B	C	D	A	B	C	D	A	B	C	D	A	B	C	D	A	B	C	D	A	B	C	D	A	B	C	D	A	B	C	D
under 23"	Long Side	2	2	2	2																																
	Short Side	2	2	2	2																																
25-15/16"	Long Side	3	2	2	2	3	2	2	2																												
	Short Side	2	2	2	2	3	2	2	2																												
35"	Long Side	4	3	3	3	5	3	3	3	5	3	3	3	5	3	3	3	5	3	3	3	5	3	3	3	5	3	3	3	5	3	3	3				
	Short Side	2	2	2	2	3	2	2	2	3	2	2	2	4	2	2	2	4	3	3	3	5	3	3	3	5	3	3	3	5	3	3	3				
37"	Long Side	5	3	3	3	5	3	3	3	5	3	3	3	5	3	3	3	5	4	3	3	5	4	3	3	5	4	3	3	5	4	3	3	5	4	3	3
	Short Side	2	2	2	2	3	2	2	2	3	2	2	2	4	2	2	2	4	3	3	3	5	3	3	3	5	3	3	3	5	4	3	3	5	4	3	3
44"	Long Side	6	4	3	3	6	4	3	3	6	4	4	3	7	4	4	3	7	4	4	3	7	5	4	3	7	5	4	3	7	5	4	3	7	5	4	3
	Short Side	2	2	2	2	3	2	2	2	3	2	2	2	4	2	2	2	4	3	3	3	5	3	3	3	5	3	3	3	5	4	3	3	5	4	3	3
44-1/4"	Long Side	6	4	3	3	6	4	4	3	7	4	4	3	7	4	4	3	7	4	4	3	7	5	4	3	7	5	4	3	7	5	4	3	7	5	4	3
	Short Side	2	2	2	2	3	2	2	2	3	2	2	2	4	2	2	2	4	3	3	3	5	3	3	3	5	3	3	3	5	4	3	3	5	4	3	3
53-1/8"	Long Side	7	5	4	3	8	5	4	3	8	5	5	3	8	5	5	3	9	6	5	3	9	6	5	3	9	6	5	3	10	6	5	3	10	6	5	3
	Short Side	2	2	2	2	3	2	2	2	3	2	2	2	4	2	2	2	4	3	3	3	5	3	3	3	5	3	3	3	5	4	3	3	5	4	3	3
58"	Long Side	8	5	4	4	9	6	5	4	9	6	5	4	10	6	5	4	10	6	5	4	10	7	6	4	10	7	6	4	11	7	6	4	11	7	6	4
	Short Side	2	2	2	2	3	2	2	2	3	2	2	2	4	2	2	2	4	3	3	3	5	3	3	3	5	3	3	3	5	4	3	3	5	4	3	3
63"	Long Side	9	6	5	4	10	6	5	4	10	7	6	4	11	7	6	4	11	7	6	4	12	7	6	4	12	7	6	4	12	8	7	4	12	8	7	4
	Short Side	2	2	2	2	3	2	2	2	3	2	2	2	4	2	2	2	4	3	3	3	5	3	3	3	5	3	3	3	5	4	3	3	5	4	3	3
66-13/16"	Long Side	10	6	5	5	10	7	6	5	11	7	6	5	11	7	6	5	12	8	6	5	12	8	7	5	13	8	7	5	13	8	7	5	13	8	7	5
	Short Side	2	2	2	2	3	2	2	2	3	2	2	2	4	2	2	2	4	3	3	3	5	3	3	3	5	3	3	3	5	4	3	3	5	4	3	3
67-1/2"	Long Side	10	6	5	5	11	7	6	5	11	7	6	5	11	7	6	5	12	8	7	5	13	8	7	5	13	8	7	5	13	8	7	5	13	9	7	5
	Short Side	2	2	2	2	3	2	2	2	3	2	2	2	4	2	2	2	4	3	3	3	5	3	3	3	5	3	3	3	5	4	3	3	5	4	3	3
68"	Long Side	10	6	5	5	11	7	6	5	11	7	6	5	12	7	6	5	12	8	7	5	13	8	7	5	13	8	7	5	13	8	7	5	14	9	7	5
	Short Side	2	2	2	2	3	2	2	2	3	2	2	2	4	2	2	2	4	3	3	3	5	3	3	3	5	3	3	3	5	4	3	3	5	4	3	3
70"	Long Side	10	6	6	5	11	7	6	5	12	7	6	5	12	8	6	5	13	8	7	5	13	8	7	5	13	9	7	5	14	9	8	5	14	9	8	5
	Short Side	2	2	2	2	3	2	2	2	3	2	2	2	4	2	2	2	4	3	3	3	5	3	3	3	5	3	3	3	5	4	3	3	5	4	3	3
72"	Long Side	10	7	6	5	11	7	6	5	12	8	7	5	12	8	7	5	13	8	7	5	14	9	7	5	14	9	7	5	15	9	8	5	15	9	8	5
	Short Side	2	2	2	2	3	2	2	2	3	2	2	2	4	2	2	2	4	3	3	3	5	3	3	3	5	3	3	3	5	4	3	3	5	4	3	3
74"	Long Side	11	7	6	5	12	8	6	5	12	8	7	5	13	8	7	5	14	9	7	5	14	9	8	5	14	9	8	5	15	10	8	5	15	10	8	5
	Short Side	2	2	2	2	3	2	2	2	3	2	2	2	4	2	2	2	4	3	3	3	5	3	3	3	5	3	3	3	5	4	3	3	5	4	3	3
76"	Long Side	11	7	6	5	12	8	7	5	13	8	7	5	13	8	7	5	14	9	8	5	15	9	8	5	15	9	8	5	16	10	8	5	16	10	8	5
	Short Side	2	2	2	2	3	2	2	2	3	2	2	2	4	2	2	2	4	3	3	3	5	3	3	3	5	3	3	3	5	4	3	3	5	4	3	3
84"	Long Side	12	8	7	5	14	9	7	5	14	9	8	5	15	9	8	5	16	10	8	6	17	11	9	6	17	11	9	6	18	11	10	6	18	11	10	6
	Short Side	2	2	2	2	3	2	2	2	3	2	2	2	4	2	2	2	4	3	3	3	5	3	3	3	5	3	3	3	5	4	3	3	5	4	3	3
114"	Long Side	17	11	9	7	19	12	10	7	20	13	11	7	21	13	11	7	23	14	12	8	24	15	13	8	24	15	13	8	26	16	14	9	26	16	14	9
	Short Side	2	2	2	2	3	2	2	2	3	2	2	2	4	2	2	2	4	3	3	3	5	3	3	3	5	3	3	3	5	4	3	3	5	4	3	3
134"	Long Side	21	13	11	8	23	14	12	8	24	15	13	8	25	16	13	9	27	17	14	9	29	18	15	10	29	18	15	10								
	Short Side	2	2	2	2	3	2	2	2	3	2	2	2	4	2	2	2	4	3	3	3	5	3	3	3	5	3	3	3								
145"	Long Side	22	14	12	9	25	16	13	9	26	17	14	9	28	17	15	9	29	19	16	10																
	Short Side	2	2	2	2	3	2	2	2	3	2	2	2	4	2	2	2	4	3	3	3																

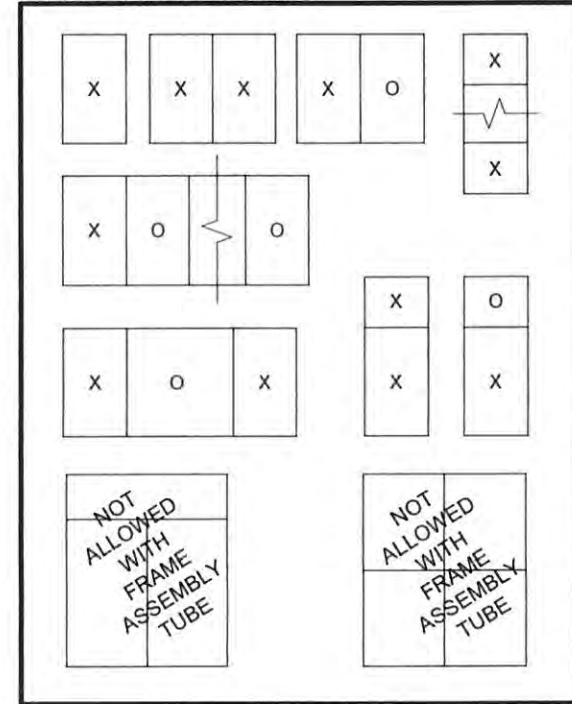
PRODUCT RENEWED
as complying with the Florida Building Code
NOA-No. **23-0303.02**
Expiration Date: **04/11/2028**
By: *Manuel Perez*
Miami-Dade Product Control

PRODUCT REVISED
as complying with the Florida Building Code
NOA-No. 20-1223.06
Expiration Date 04/11/2023
By: *[Signature]*
Miami-Dade Product Control

- 1) USE THIS TABLE FOR ALL WINDOWS PER THE ELEVATIONS ON SHEET 1. DIMENSIONS SHOWN ARE TIP-TO-TIP.
- 2) FOR SIZES NOT SHOWN, ROUND UP TO THE NEXT AVAILABLE SHORT OR LONG SIDE DIMENSION SHOWN ON THE TABLE.
- 3) TABLE DIMENSIONS MAY BE ORIENTED VERTICALLY OR HORIZONTALLY AS SHOWN:



SAMPLE CONFIGURATIONS:



1) OPERABLE (X) WINDOWS MAY BE CASEMENT WINDOWS OR AWNING WINDOWS OF THE SAME SERIES.

1) WHERE SUBSTRATE CONDITIONS REQUIRE ANCHORAGE FROM MORE THAN ONE OF THE ANCHOR GROUPS, CHOOSE THE ANCHOR GROUP OF THE LOWEST LETTER FOR ALL SUBSEQUENT TABLES IN THIS APPROVAL.

2) ANCHOR MUST EXTEND A MIN. OF 3 THREADS BEYOND ANY METAL SUBSTRATE.

3) ANCHORS MAY BE HEXHEAD, PANHEAD OR FLATHEAD.

Material	Min. F _y	Min. F _u
Steel Screw	92 ksi	120 ksi
410 Screw	90 ksi	110 ksi
Elco UltraCon®	155 ksi	177 ksi
1/4" DeWalt UltraCon+®	148 ksi	164 ksi
410 SS Elco/Dewalt CreteFlex®	127.4 ksi	189.7 ksi
6063-T5 Aluminum	16 ksi	22 ksi
A36 Steel	36 ksi	58 ksi
Gr. 33 Steel Stud	33 ksi	45 ksi

TABLE 3:

Group	Anchor	Substrate	Min. Edge Distance	Min. O.C. Distance	Min. Embedment	Anchor Plate Required?
A	#12 steel SMS (G5) or #14 steel SMS (G5) or #14 410 SS SMS	S. Pine	5/8"	1"	1-3/8"	No
		6063-T5 Alum.	3/8"	5/8"	.063"	No
		A36 Steel	3/8"	5/8"	.050"	No
		A653 Stud, Gr. 33	3/8"	5/8"	.045", 20 Ga.	No
B	1/4" steel Ultracon+	3k Concrete	1"	3"	1-3/4"	No
		Hollow Block	1"	3"	1-1/4"	No
		S. Pine	1"	1"	1-3/8"	No
C	1/4" steel Ultracon+	2.85k Concrete	2-1/2"	4"	1-3/8"	No
		Hollow Block	1"	6"	1-1/4"	No
		Hollow Block	2-1/2"	5"	1-1/4"	No
D	1/4" 410 SS CreteFlex	Hollow Block	1"	6"	1-1/4"	Yes
		3k Concrete	1"	4"	1-3/8"	Yes
		Hollow Block	1"	3"	1-1/4"	Yes
		3.35k Concrete	1"	5"	1-3/4"	No
E	1/4" 410 SS CreteFlex	Hollow Block				

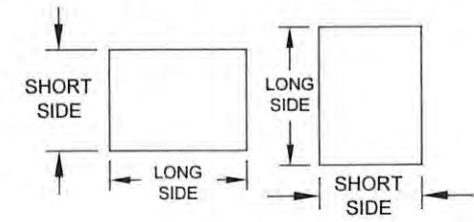
TABLE 2B:

Anchor Type		Window Anchors Required (Over 37" on Short Side Dimension)																																								
		Short Side																																								
		40"				44"				48-1/4"				53-1/8"				54"				58"				60"				63"				67-1/2"								
		A	B	C	D	A	B	C	D	A	B	C	D	A	B	C	D	A	B	C	D	A	B	C	D	A	B	C	D	A	B	C	D	A	B	C	D					
Long Side	under 23"																																									
	25-15/16"	Long Side																																								
		Short Side																																								
	35"	Long Side																																								
		Short Side																																								
	37"	Long Side																																								
		Short Side																																								
	44"	Long Side	7	5	4	3	7	5	4	3																																
		Short Side	6	4	3	3	7	5	4	3																																
	44-1/4"	Long Side	7	5	4	3	7	5	4	3																																
		Short Side	6	4	3	3	7	5	4	3																																
	53-1/8"	Long Side	10	6	5	4	10	7	6	4	10	7	6	4	11	7	6	4																								
		Short Side	6	4	3	3	7	5	4	3	9	6	5	3	11	7	6	4																								
	58"	Long Side	11	7	6	4	12	8	6	4	12	8	7	4	12	8	7	4	13	8	7	4																				
		Short Side	6	4	3	3	7	5	4	3	9	6	5	3	11	7	6	4	11	7	6	4	13	8	7	4																
	63"	Long Side	13	8	7	5	13	9	7	5	14	9	7	5	14	9	8	5	14	9	8	5	15	9	8	5	15	9	8	5	15	9	8	5								
		Short Side	6	4	3	3	7	5	4	3	9	6	5	3	11	7	6	4	11	7	6	4	13	8	7	4	13	8	7	4	15	9	8	5								
	66-13/16"	Long Side	14	9	7	5	15	9	8	5	15	10	8	5	16	10	8	5	16	10	8	5	16	10	8	5	16	10	8	5	16	10	8	5	15	10	8	5				
Short Side		6	4	3	3	7	5	4	3	9	6	5	3	10	7	6	4	11	7	6	4	12	8	7	4	13	8	7	4	14	9	8	5	16	10	8	6					
67-1/2"	Long Side	14	9	8	5	15	9	8	5	15	10	8	5	16	10	8	6	16	10	8	6	16	10	8	6	16	10	8	6	16	10	8	6	16	10	8	6					
	Short Side	6	4	3	3	7	5	4	3	9	6	5	3	10	7	6	4	11	7	6	4	12	8	7	4	13	8	7	4	14	9	7	5	16	10	8	6					
68"	Long Side	14	9	8	5	15	10	8	5	16	10	8	5	16	10	9	6	16	10	9	6	16	10	9	6	16	10	9	6	16	10	9	6									
	Short Side	6	4	3	3	7	5	4	3	9	6	5	3	10	7	6	4	11	7	6	4	12	8	6	4	13	8	7	4	14	9	7	5									
70"	Long Side	15	9	8	5	16	10	8	5	16	10	9	6	16	10	9	6	16	10	9	6	16	10	9	6	16	10	9	6	16	10	9	6									
	Short Side	6	4	3	3	7	5	4	3	9	6	5	3	10	7	6	4	10	7	6	4	12	8	7	4	12	8	7	4	13	9	7	5									
72"	Long Side	15	10	8	5	16	10	9	6	17	11	9	6	17	11	9	6	17	11	9	6	17	11	9	6	17	11	9	6	17	11	9	6									
	Short Side	6	4	3	3	7	5	4	3	9	6	5	3	10	6	5	4	10	7	6	4	12	7	6	4	12	8	7	4	13	8	7	5									
74"	Long Side	16	10	9	6	17	11	9	6	17	11	9	6	17	11	9	6	17	11	9	6	17	11	9	6	17	11	9	6													
	Short Side	6	4	3	3	7	5	4	3	9	6	5	3	10	6	5	4	10	7	6	4	11	7	6	4	12	8	6	4													
76"	Long Side	16	10	9	6	17	11	9	6	18	11	9	6	18	11	9	6	18	11	9	6	18	11	9	6	18	11	9	6													
	Short Side	6	4	3	3	7	5	4	3	9	5	5	3	10	6	5	4	10	6	5	4	11	7	6	4	12	8	6	4													
84"	Long Side	19	12	10	6	20	12	10	7	20	12	10	7	20	12	10	7	20	12	10	7	20	12	10	7																	
	Short Side	6	4	3	3	7	5	4	3	8	5	4	3	9	6	5	3	10	6	5	3																					
114"	Long Side	26	17	14	9																																					
	Short Side	6	4	3	3																																					

PRODUCT RENEWED
 as complying with the Florida Building Code
 NOA-No. **23-0303.02**
 Expiration Date: **04/11/2028**
 By: *Manuel Perez*
 Miami-Dade Product Control

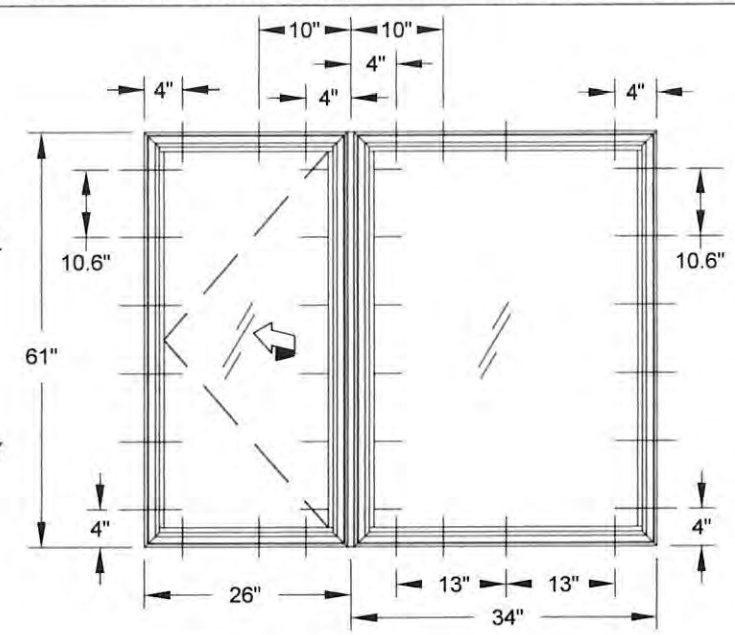
PRODUCT REVISED
 as complying with the Florida Building Code
 NOA-No. 20-1223.06
 Expiration Date 04/11/2023
 By: *[Signature]*
 Miami-Dade Product Control

- 1) USE THIS TABLE FOR ALL WINDOWS PER THE ELEVATIONS ON SHEET 1. DIMENSIONS SHOWN ARE TIP-TO-TIP.
- 2) FOR SIZES NOT SHOWN, ROUND UP TO THE NEXT AVAILABLE SHORT OR LONG SIDE DIMENSION SHOWN ON THE TABLE.
- 3) TABLE DIMENSIONS MAY BE ORIENTED VERTICALLY OR HORIZONTALLY AS SHOWN:



Revised By: J ROSOWSKI	Date: 03/13/20	Revision D: NO CHANGES.
Drawn By: J ROSOWSKI	Date: 08/08/12	Revision E: UPDATED SERIES NAME
Description: ANCHOR TYPE AND QUANTITY		
Title: CASEMENT PICTURE WINDOW DETAILS - LM		
Series/Model: PW-740	Scale: NTS	Sheet: 5 OF 11
Drawing No. MD-PW740-LM		Rev: E

EXAMPLE 1: FOR WINDOW COMBINATION SHOWN BELOW; 7/16" HEAT-STRENGTHENED LAMINATED GLASS, 1/4" MASONRY ANCHORS INTO CONCRETE, +70/-85 PSF DP REQUIRED



- CASEMENT ANCHORS (SEE SEPERATE NOA):
- FROM TABLE 12, ANCHORS C & D ALLOW A DP OF +70/-90.
 - FOR THE JAMB, FROM TABLE 3, ANCHOR TYPE C HAS THE ANCHOR AND SUBSTRATE DESIRED AND DOES NOT REQUIRE THE ANCHOR PLATE IF USING THE CRETEFLEX ANCHOR.
 - FROM TABLE 2, 6 ANCHORS ARE REQUIRED IN EACH JAMB.
 - SIMILARLY, 2 ANCHORS ARE REQUIRED IN THE HEAD & SILL.
 - DISTRIBUTE ANCHORS FOLLOWING GUIDELINES FROM ELEVATION ON SHEET 1.
 - PER RULES ON SHEETS 2 & 3, INSTALL 1 ADDITIONAL ANCHOR ON THE FRAME ASSEMBLY TUBE SIDE OF THE AWNING (HEAD & SILL).

- CASEMENT PICTURE WINDOW ANCHORS:
- FROM TABLE 11, A 34" X 61" CASEMENT PICTURE WINDOW HAS A DESIGN PRESSURE OF +70/-90 USING ANCHORS C OR D.
 - FOR THE JAMB, FROM TABLE 3, ANCHOR TYPE C HAS THE ANCHOR AND SUBSTRATE DESIRED AND DOES NOT REQUIRE THE ANCHOR PLATE IF USING THE CRETEFLEX ANCHOR.
 - FROM TABLE 2A, 6 ANCHORS ARE REQUIRED IN EACH JAMB.
 - SIMILARLY, 3 ANCHORS ARE REQUIRED IN THE HEAD & SILL.
 - DISTRIBUTE ANCHORS FOLLOWING GUIDELINES FROM ELEVATION ON SHEET 1.
 - PER RULES ON SHEET 2, INSTALL 1 ADDITIONAL ANCHOR ON THE FRAME ASSEMBLY TUBE SIDE OF THE CASEMENT PICTURE (HEAD & SILL).

DRG
 1070 TECHNOLOGY DRIVE
 N. VENICE, FL 34275
 (941) 480-1600
 REGISTRATION #29296

ANTHONY LYNN MILLER
 LICENSE
 No. 58705
 02/17/20
 STATE OF FLORIDA
 PROFESSIONAL ENGINEER
 A. LYNN MILLER, P.E.
 P.E. # 58705

FOR GLASS TYPES:

1) 5/16" LAMI (1/8 AN - .090" PVB - 1/8 AN)

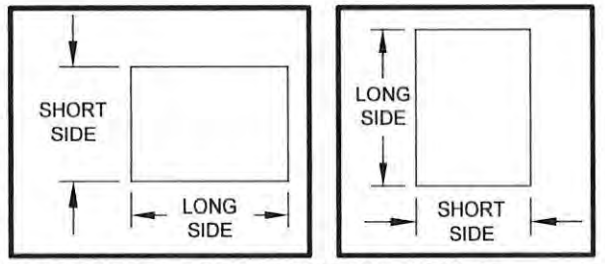
"PVB"= TROSIFOL® PVB INTERLAYER BY KURARAY AMERICA, INC.

PRODUCT RENEWED
as complying with the Florida Building Code
NOA-No. **23-0303.02**
Expiration Date: **04/11/2028**
By: *Manuel Perez*
Miami-Dade Product Control

PRODUCT REVISED
as complying with the Florida Building Code
NOA-No. 20-1223.06
Expiration Date 04/11/2023
By: *[Signature]*
Miami-Dade Product Control

TABLE 4:

Design Pressure (psf) for Single Windows, All Anchor Groups								
Long Side	Short Side							
	under 23"	25-15/16"	27-3/4"	33-1/2"	37"	44"	48-1/4"	53-1/8"
	under 23"	+70/-90						
25-15/16"	+70/-90	+70/-90						
37"	+70/-90	+70/-90	+70/-90	+70/-90	+70/-90			
44"	+70/-90	+70/-90	+70/-90	+70/-90	+70/-90	+70/-90		
48-1/4"	+70/-90	+70/-90	+70/-90	+70/-90	+70/-90	+70/-84.1	+70/-80.1	
53-1/8"	+70/-90	+70/-90	+70/-90	+70/-90	+70/-84.1	+60/-70	+60/-70	+60/-67.5
58"	+70/-90	+70/-90	+70/-90	+70/-83.2	+70/-77	+60/-67.8	+60/-63.2	
63"	+70/-90	+70/-90	+70/-90	+70/-76.5	+70/-70.1	+60/-61.3		
76"	+70/-90	+70/-84.6	+70/-75.7	+/-58.9	+/-55.6			
84"	+70/-90	+70/-80.4	+70/-71.3	+/-54.2				

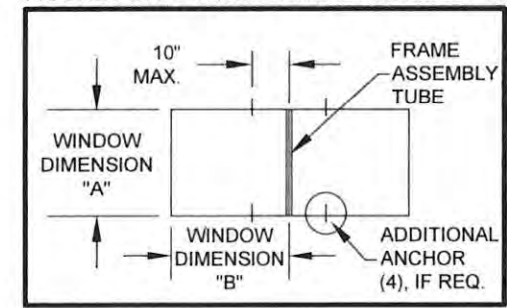


1) SEE SHEETS 1, 4 & 5 FOR WINDOW ANCHOR LOCATIONS AND QUANTITIES.
2) TABLE DIMENSIONS MAY BE ORIENTED VERTICALLY OR HORIZONTALLY AS SHOWN.

TABLE 5:

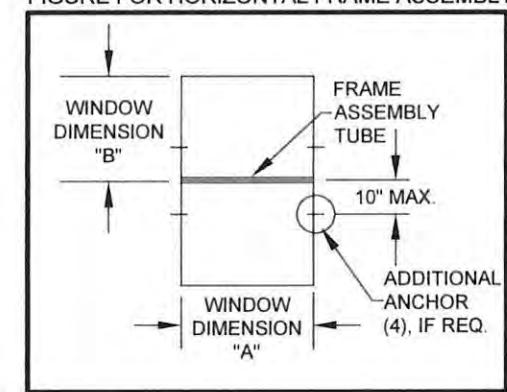
Design Pressure (psf) for Windows Attached to a Frame Assembly Tube																													
Window Dimension "B"	Window Dimension "A"																												
	under 23"	25-15/16"	27-3/4"	33-1/2"			37"			44"				48-1/4"				53-1/8"				58"				63"			
	Anchor Group	Anchor Group	Anchor Group	Anchor Group			Anchor Group			Anchor Group				Anchor Group				Anchor Group				Anchor Group							
	All	All	All	A	B	C & D	A	B	C & D	A	B	C	D	A	B	C	D	A	B	C	D	A	B	C	D	A	B	C	D
under 23"	+70/-90	+70/-90	+70/-90	+70/-90	+70/-87.6	+70/-90	+70/-90	+70/-79.2	+70/-90	+70/-83.1	+/-66.6	+70/-79.7	+70/-90	+70/-75.8	+/-60.7	+70/-72.7	+70/-90	+/-69	+/-55.3	+/-66.1	+70/-90	+/-63.1	+/-50.5	+/-60.5	+70/-90	+/-58.1	+/-46.5	+/-55.7	+70/-88.7
25-15/16"	+70/-90	+70/-90	+70/-90	+70/-90	+70/-90	+70/-90	+70/-87.6	+70/-90	+70/-90	+70/-73.7	+70/-90	+70/-90	+70/-90	+/-67.1	+70/-90	+70/-90	+70/-90	+/-61.1	+70/-90	+70/-90	+70/-90	+/-55.9	+70/-89.6	+70/-90	+70/-90	+/-51.5	+70/-82.5	+70/-90	+70/-90
37"	+70/-90	+70/-90	+70/-90	+70/-84.9	+70/-90	+70/-90	+70/-76.8	+70/-90	+70/-90	+/-64.6	+70/-90	+70/-90	+70/-90	+/-58.8	+70/-90	+70/-90	+70/-90	+/-53.6	+70/-84.1	+70/-84.1	+70/-84.1	+/-49	+70/-77	+70/-77	+70/-77	+/-45.1	+70/-70.1	+70/-70.1	+70/-70.1
44"	+70/-90	+70/-90	+70/-90	+70/-85.6	+70/-90	+70/-90	+70/-90	+70/-90	+70/-90	+70/-76	+70/-87	+70/-90	+70/-90	+/-59.4	+70/-79.3	+70/-84.1	+70/-84.1	+/-54.1	+70/-72.2	+70/-75.7	+70/-75.7	+/-49.4	+/-66	+67/-67.8	+67/-67.8	+/-37.9	+/-60.8	+/-61.3	+/-61.3
48-1/4"	+70/-90	+70/-90	+70/-90	+70/-90	+70/-90	+70/-90	+70/-82.4	+70/-90	+70/-90	+/-69.3	+70/-79.3	+70/-84.1	+70/-84.1	+/-63.1	+70/-72.3	+70/-80.1	+70/-80.1	+/-49.3	+/-65.8	+69.6/-71.6	+69.6/-71.6	+/-45	+/-60.2	+/-63.2	+/-63.2				
53-1/8"	+70/-90	+70/-90	+70/-90	+70/-90	+70/-90	+70/-90	+70/-84.1	+70/-84.1	+70/-84.1	+/-63.1	+70/-75.7	+70/-75.7	+70/-75.7	+/-57.5	+/-65.8	+69.6/-71.6	+69.6/-71.6	+/-52.3	+/-59.9	+/-67.5	+/-67.5								
58"	+70/-90	+70/-90	+70/-90	+70/-83.2	+70/-83.2	+70/-83.2	+70/-77	+70/-77	+70/-77	+/-65.9	+67/-67.8	+67/-67.8	+67/-67.8	+/-52.6	+/-63.2	+/-63.2	+/-63.2												
63"	+70/-90	+70/-90	+70/-90	+70/-76.5	+70/-76.5	+70/-76.5	+70/-70.1	+70/-70.1	+70/-70.1	+/-60.7	+/-61.3	+/-61.3	+/-61.3																
76"	+70/-90	+70/-84.6	+70/-75.7	+/-58.9	+/-58.9	+/-58.9	+/-55.6	+/-55.6	+/-55.6																				
84"	+70/-90	+70/-80.4	+70/-71.3	+/-54.2	+/-54.2	+/-54.2																							

FIGURE FOR VERTICAL FRAME ASSEMBLY TUBE



SEE SHEETS 1, 4 & 5 FOR WINDOW ANCHOR LOCATIONS AND QUANTITIES. SEE SHEET 3 FOR ANY ADDITIONAL ANCHORS REQUIRED FOR THE FRAME ASSEMBLY TUBE.

FIGURE FOR HORIZONTAL FRAME ASSEMBLY TUBE



SEE SHEETS 1, 4 & 5 FOR WINDOW ANCHOR LOCATIONS AND QUANTITIES. SEE SHEET 3 FOR ANY ADDITIONAL ANCHORS REQUIRED FOR THE FRAME ASSEMBLY TUBE.

Revised By: **J ROSOWSKI** Date: **03/13/20**
 Drawn By: **J ROSOWSKI** Date: **08/08/12**
 Description: **DESIGN PRESSURES PER GLAZING TYPE**
 Title: **CASEMENT PICTURE WINDOW DETAILS - LM**
 Series/Model: **PW-740**
 Scale: **NTS** Sheet: **6 OF 11**
 Drawing No.: **MD-PW740-LM**
 Revision D: **NO CHANGES.**
 Revision E: **UPDATED SERIES NAME**

REG
 1070 TECHNOLOGY DRIVE
 N. VENICE, FL 34275
 (941) 480-1600
 REGISTRATION #29296

ANTHONY LYNN MILLER
 LICENSE No. 58705
 12/17/20
 STATE OF FLORIDA
 PROFESSIONAL ENGINEER
 A. LYNN MILLER, P.E.
 P.E. # 58705

FOR GLASS TYPES:

5) 7/8" LAMI. IG:(1/8" T - 7/16" AIR - 1/8" AN - .090" PVB - 1/8" AN)

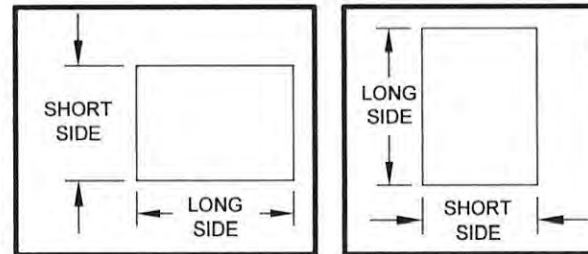
"PVB"= TROSIFOL® PVB INTERLAYER BY KURARAY AMERICA, INC.

PRODUCT RENEWED
 as complying with the Florida Building Code
NOA-No. 23-0303.02
Expiration Date: 04/11/2028
 By: *Manuel Perez*
Miami-Dade Product Control

PRODUCT REVISED
 as complying with the Florida Building Code
NOA-No. 20-1223.06
Expiration Date 04/11/2023
 By: *[Signature]*
Miami-Dade Product Control

TABLE 6:

		Design Pressure (psf) for Single Windows, All Anchor Groups						
		Short Side						
		under 23"	25-15/16"	27-3/4"	33-1/2"	37"	44"	48-1/4"
Long Side	under 23"	+70/-90						
	25-15/16"	+70/-90	+70/-90					
	37"	+70/-90	+70/-90	+70/-90	+70/-90	+70/-90		
	44"	+70/-90	+70/-90	+70/-90	+70/-90	+70/-90	+70/-90	
	48-1/4"	+70/-90	+70/-90	+70/-90	+70/-90	+70/-90	+70/-90	+70/-90
	53-1/8"	+70/-90	+70/-90	+70/-90	+70/-90	+70/-90	+70/-90	
	58"	+70/-90	+70/-90	+70/-90	+70/-90	+70/-87.8		
	63"	+70/-90	+70/-90	+70/-90	+70/-87.2	+70/-79.9		
	76"	+70/-90	+70/-90	+70/-86.3				
	84"	+70/-90	+70/-90	+70/-81.3				

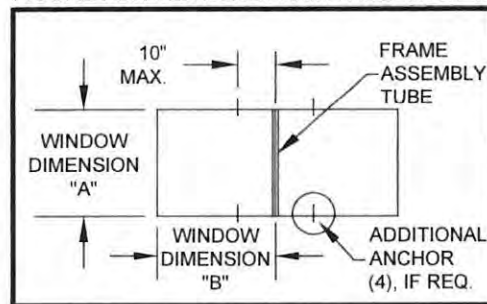


- 1) SEE SHEETS 1, 4 & 5 FOR WINDOW ANCHOR LOCATIONS AND QUANTITIES.
- 2) TABLE DIMENSIONS MAY BE ORIENTED VERTICALLY OR HORIZONTALLY AS SHOWN.

TABLE 7:

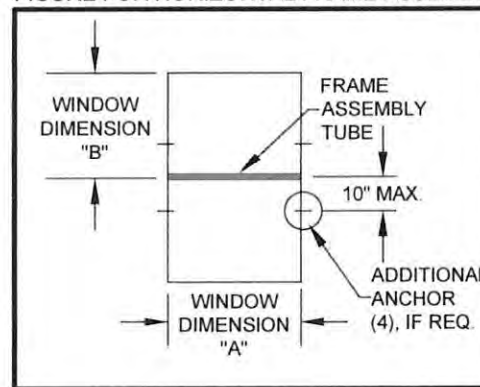
		Design Pressure (psf) for Windows Attached to a Frame Assembly Tube																																
		Window Dimension "A"																																
		under 23"	25-15/16"	27-3/4"	33-1/2"			37"			44"				48-1/4"				53-1/8"				58"				63"							
		Anchor Group	Anchor Group	Anchor Group	Anchor Group			Anchor Group			Anchor Group				Anchor Group				Anchor Group				Anchor Group											
		All	All	All	A	B	C & D	A	B	C & D	A	B	C	D	A	B	C	D	A	B	C	D	A	B	C	D	A	B	C	D				
Window Dimension "B"	under 23"	+70/-90	+70/-90	+70/-90	+70/-90	+70/-87.6	+70/-90	+70/-90	+70/-79.2	+70/-90	+70/-83.1	+/-66.6	+70/-79.7	+70/-90	+70/-75.8	+/-60.7	+70/-72.7	+70/-90	+/-69	+/-55.3	+/-66.1	+70/-90	+/-63.1	+/-50.5	+/-60.5	+70/-90	+/-58.1	+/-46.5	+/-55.7	+70/-88.7				
	25-15/16"	+70/-90	+70/-90	+70/-90	+70/-90	+70/-90	+70/-90	+70/-90	+70/-90	+70/-90	+70/-73.7	+70/-90	+70/-90	+70/-90	+/-67.1	+70/-90	+70/-90	+70/-90	+/-61.1	+70/-90	+70/-90	+70/-90	+/-55.9	+70/-89.6	+70/-90	+70/-90	+/-51.5	+70/-82.5	+70/-90	+70/-90				
	37"	+70/-90	+70/-90	+70/-90	+70/-90	+70/-84.9	+70/-90	+70/-90	+70/-90	+70/-90	+70/-76.8	+70/-90	+70/-90	+70/-90	+/-64.6	+70/-90	+70/-90	+70/-90	+/-58.8	+70/-90	+70/-90	+70/-90	+/-53.6	+70/-85.9	+70/-90	+70/-90	+/-49	+70/-78.5	+70/-87.8	+70/-87.8	+/-45.1	+70/-72.3	+70/-79.9	+70/-79.9
	44"	+70/-90	+70/-90	+70/-90	+70/-90	+70/-85.6	+70/-90	+70/-90	+70/-90	+70/-90	+70/-76	+70/-87	+70/-90	+70/-90	+/-69.3	+70/-79.3	+70/-90	+70/-90																
	48-1/4"	+70/-90	+70/-90	+70/-90	+70/-90	+70/-90	+70/-90	+70/-90	+70/-90	+70/-90	+70/-82.4	+70/-90	+70/-90	+70/-90	+/-69.3	+70/-90	+70/-90	+70/-90	+/-63.1	+70/-86.7	+70/-86.5	+70/-90												
	53-1/8"	+70/-90	+70/-90	+70/-90	+70/-90	+70/-90	+70/-90	+70/-90	+70/-90	+70/-90	+70/-85.7	+70/-90	+70/-90	+70/-90																				
	58"	+70/-90	+70/-90	+70/-90	+70/-90	+70/-86.6	+70/-90	+70/-90	+70/-90	+70/-90	+70/-87.8	+70/-87.8	+70/-87.8	+70/-87.8																				
	63"	+70/-90	+70/-90	+70/-90	+70/-90	+70/-87.2	+70/-87.2	+70/-87.2	+70/-87.2	+70/-87.2	+70/-79.9	+70/-79.9	+70/-79.9	+70/-79.9																				
	76"	+70/-90	+70/-90	+70/-90	+70/-86.3																													
	84"	+70/-90	+70/-90	+70/-81.3																														

FIGURE FOR VERTICAL FRAME ASSEMBLY TUBE



SEE SHEETS 1, 4 & 5 FOR WINDOW ANCHOR LOCATIONS AND QUANTITIES. SEE SHEET 3 FOR ANY ADDITIONAL ANCHORS REQUIRED FOR THE FRAME ASSEMBLY TUBE.

FIGURE FOR HORIZONTAL FRAME ASSEMBLY TUBE



SEE SHEETS 1, 4 & 5 FOR WINDOW ANCHOR LOCATIONS AND QUANTITIES. SEE SHEET 3 FOR ANY ADDITIONAL ANCHORS REQUIRED FOR THE FRAME ASSEMBLY TUBE.

SEE SHEET 4 FOR ADDITIONAL SAMPLE CONFIGURATIONS

Revised By: J ROSOWSKI	Date: 03/13/20	Revision D: NO CHANGES.
Drawn By: J ROSOWSKI	Date: 08/08/12	Revision E: UPDATED SERIES NAME
Description: DESIGN PRESSURES PER GLAZING TYPE		
Title: CASEMENT PICTURE WINDOW DETAILS - LM		
Series/Model: PW-740	Scale: NTS	Sheet: 7 OF 11
		Rev: E

1070 TECHNOLOGY DRIVE
 N. VENICE, FL 34275
 (941) 480-1600

REGISTRATION #29296

ANTHONY LYNN MILLER
 LICENSE
 No. 58705
 STATE OF FLORIDA
 PROFESSIONAL ENGINEER
 A. LYNN MILLER, P.E.
 P.E.# 58705

FOR GLASS TYPES:

- 2) 7/16" LAMI. (3/16" AN - .090" SG - 3/16" AN
- 6) 7/8" LAMI. IG: (3/16" AN - 1/4" AIR - 3/16" AN - .090" SG - 3/16" AN)
- 8) 7/8" LAMI. IG: (3/16" T - 1/4" AIR - 3/16" AN - .090" SG - 3/16" AN)

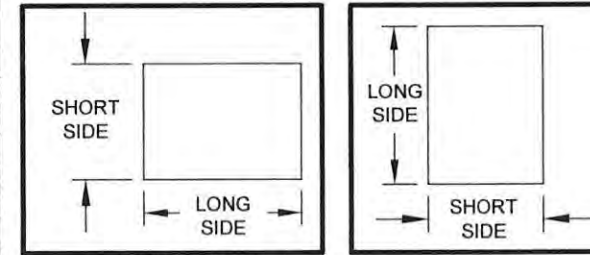
"SG"= SENTRYGLAS® INTERLAYER BY KURARAY AMERICA, INC.

PRODUCT RENEWED
 as complying with the Florida Building Code
 NOA-No. **23-0303.02**
 Expiration Date: **04/11/2028**
 By: *Manuel Perez*
 Miami-Dade Product Control

PRODUCT REVISED
 as complying with the Florida Building Code
 NOA-No. 20-1223.06
 Expiration Date 04/11/2023
 By: *[Signature]*
 Miami-Dade Product Control

TABLE 8:

		Design Pressure (psf) for Single Windows, All Anchor Groups									
		Short Side									
		under 23"	25-15/16"	29"	31-1/2"	34"	40"	54"	60"	63"	67-1/2"
Long Side	under 23"	+90/-130									
	25-15/16"	+90/-130	+90/-130								
	63"	+90/-130	+90/-130	+90/-123.1	+90/-116.5	+90/-110.7	+90/-100.7	+/- 89.1	+/- 86.1	+/- 83.1	
	67-1/2"	+90/-130	+90/-130	+90/-120.7	+90/-113.9	+90/-108	+90/-97.6	+/- 84.8	+/- 80.5	+/- 78.3	+/- 75.1
	72"	+90/-130	+90/-129.2	+90/-118.7	+90/-111.8	+90/-105.8	+90/-95.1	+/- 81.3	+/- 76.1	+/- 73.8	
	76"	+90/-130	+90/-127.8	+90/-117.1	+90/-110.2	+90/-104.1	+90/-93.2	+/- 78	+/- 72.5		
	84"	+90/-130	+90/-125.3	+90/-114.5	+90/-107.5	+90/-101.3	+/- 89.9	+/- 70.7			
	114"	+90/-130	+90/-119.6	+90/-108.6	+90/-101.4	+90/-95	+/- 73				
	134"	+90/-130	+90/-117.3	+90/-106.3	+90/-99	+90/-92.6					
	145"	+90/-129.8	+90/-116.4	+90/-105.3	+90/-98						

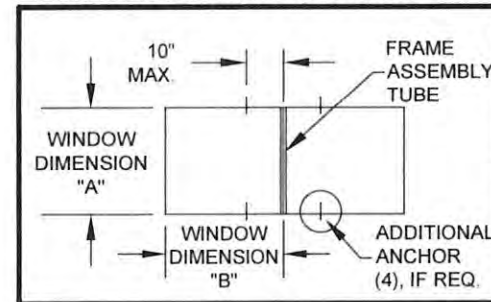


- 1) SEE SHEETS 1, 4 & 5 FOR WINDOW ANCHOR LOCATIONS AND QUANTITIES.
- 2) TABLE DIMENSIONS MAY BE ORIENTED VERTICALLY OR HORIZONTALLY AS SHOWN.

TABLE 9:

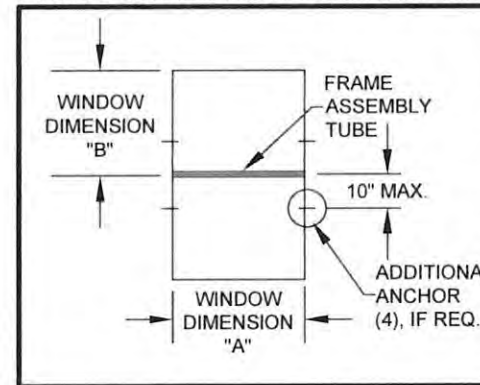
		Design Pressure (psf) for Windows Attached to a Frame Assembly Tube																							
		Window Dimension "A"																							
		under 23"	25-15/16"	29"	31-1/2"	34"				40"				54"				60"				63"			
		Anchor Group	Anchor Group	Anchor Group	Anchor Group	Anchor Group				Anchor Group				Anchor Group				Anchor Group							
		All	All	All	All	A	B	C & D	A	B	C	D	A	B	C	D	A	B	C	D	A	B	C	D	
Window Dimension "B"	under 23"	+70/-90	+70/-90	+70/-90	+70/-90	+70/-90	+70/-86.2	+70/-90	+70/-90	+70/-73.3	+70/-87.7	+70/-90	+/-67.7	+/-54.3	+/-65	+70/-90	+/-61	+/-48.9	+/-58.5	+70/-90	+/-58.1	+/-46.5	+/-55.7	+70/-88.7	
	25-15/16"	+70/-90	+70/-90	+70/-90	+70/-90	+70/-90	+70/-90	+70/-90	+70/-90	+70/-90	+70/-90	+70/-90	+70/-75.1	+70/-90	+70/-90	+70/-90	+/-67.5	+70/-86.6	+70/-90	+70/-90	+/-64.3	+70/-82.5	+70/-90	+70/-90	
	63"	+70/-90	+70/-90	+70/-90	+70/-90	+70/-90	+70/-90	+70/-90	+70/-90	+70/-90	+70/-90	+70/-90	+/-68	+70/-79.2	+70/-83	+70/-89.1	+/-61.2	+70/-71.3	+70/-74.7	+70/-86.1	+/-53	+/-59.4	+70/-71.1	+70/-83.1	
	67-1/2"	+70/-90	+70/-90	+70/-90	+70/-90	+70/-90	+70/-90	+70/-90	+70/-90	+70/-85.6	+70/-90	+70/-90	+70/-90	+/-63.4	+70/-73.9	+70/-77.4	+70/-84.8	+/-57.1	+/-86.5	+/-69.7	+70/-80.5	+/-54.4	+/-63.4	+/-66.4	+70/-78.3
	72"	+70/-90	+70/-90	+70/-90	+70/-90	+70/-90	+70/-90	+70/-90	+70/-90	+70/-87.6	+70/-90	+70/-90	+70/-90	+/-64.9	+/-69.3	+70/-72.6	+70/-81.3	+/-58.4	+/-62.4	+/-65.3	+70/-76.1	+/-51	+/-59.4	+/-62.2	+70/-73.8
	76"	+70/-90	+70/-90	+70/-90	+70/-90	+70/-90	+70/-90	+70/-90	+70/-90	+70/-83	+70/-90	+70/-90	+70/-90	+/-61.5	+70/-73.9	+70/-78	+70/-78	+/-55.3	+/-59.1	+/-61.9	+70/-72.5				
	84"	+70/-90	+70/-90	+70/-90	+70/-90	+70/-90	+70/-90	+70/-90	+70/-90	+70/-81.3	+70/-89.9	+70/-89.9	+70/-89.9	+/-60.3	+/-66.9	+70/-70.7	+70/-70.7								
	114"	+70/-90	+70/-90	+70/-90	+70/-90	+70/-90	+70/-90	+70/-90	+70/-90	+70/-73	+70/-73	+70/-73	+70/-73												
134"	+70/-90	+70/-90	+70/-90	+70/-90	+70/-90	+70/-90	+70/-90	+70/-90																	
145"	+70/-90	+70/-90	+70/-90	+70/-90	+70/-90																				

FIGURE FOR VERTICAL FRAME ASSEMBLY TUBE



SEE SHEETS 1, 4 & 5 FOR WINDOW ANCHOR LOCATIONS AND QUANTITIES. SEE SHEET 3 FOR ANY ADDITIONAL ANCHORS REQUIRED FOR THE FRAME ASSEMBLY TUBE.

FIGURE FOR HORIZONTAL FRAME ASSEMBLY TUBE



SEE SHEETS 1, 4 & 5 FOR WINDOW ANCHOR LOCATIONS AND QUANTITIES. SEE SHEET 3 FOR ANY ADDITIONAL ANCHORS REQUIRED FOR THE FRAME ASSEMBLY TUBE.

SEE SHEET 4 FOR ADDITIONAL SAMPLE CONFIGURATIONS

Revised By:	J ROSOWSKI	Date:	03/13/20	Revision D:	NO CHANGES.
Drawn By:	J ROSOWSKI	Date:	08/08/12	Revision E:	UPDATED SERIES NAME
Description:	DESIGN PRESSURES PER GLAZING TYPE				
Title:	CASEMENT PICTURE WINDOW DETAILS - LM				
Series/Model:	PW-740	Scale:	NTS	Sheet:	8 OF 11
Drawing No.:	MD-PW740-LM				

1070 TECHNOLOGY DRIVE
 N. VENICE, FL 34275
 (941) 480-1600

REGISTRATION #29296

ANTHONY LYNN MILLER
 LICENSE
 No. 58705
 STATE OF FLORIDA
 PROFESSIONAL ENGINEER
 A. LYNN MILLER, P.E.
 P.E.# 58705

FOR GLASS TYPES:

- 3) 7/16" LAMI (3/16 HS - .090" SG - 3/16 HS)
- 7) 7/8" LAMI IG: 3/16" AN - 1/4" AIR - 3/16" HS - .090" SG - 3/16" HS)
- 9) 7/8" LAMI IG: (3/16" T - 1/4" AIR - 3/16" HS - .090" SG - 3/16" HS)

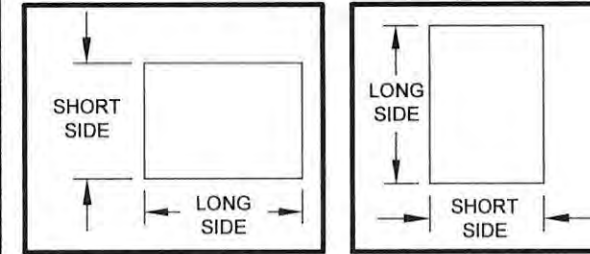
"SG"= SENTRYGLAS® INTERLAYER BY KURARAY AMERICA, INC.

PRODUCT RENEWED
as complying with the Florida Building Code
NOA-No. **23-0303.02**
Expiration Date: **04/11/2028**
By: *Manuel Perez*
Miami-Dade Product Control

PRODUCT REVISED
as complying with the Florida Building Code
NOA-No. 20-1223.06
Expiration Date 04/11/2023
By: *[Signature]*
Miami-Dade Product Control

TABLE 10:

		Design Pressure (psf) for Single Windows, All Anchor Groups									
		Short Side									
		under 23"	25-15/16"	29"	31-1/2"	34"	40"	54"	60"	63"	67-1/2"
Long Side	under 23"	+90/-130									
	25-15/16"	+90/-130	+90/-130								
	63"	+90/-130	+90/-130	+90/-130	+90/-130	+90/-130	+90/-130	+90/-130	+90/-130	+90/-130	
	67-1/2"	+90/-130	+90/-130	+90/-130	+90/-130	+90/-130	+90/-130	+90/-130	+90/-130	+90/-130	+90/-130
	72"	+90/-130	+90/-130	+90/-130	+90/-130	+90/-130	+90/-130	+90/-130	+90/-130	+90/-130	
	76"	+90/-130	+90/-130	+90/-130	+90/-130	+90/-130	+90/-130	+90/-130	+90/-130	+90/-130	
	84"	+90/-130	+90/-130	+90/-130	+90/-130	+90/-130	+90/-130	+90/-130	+90/-130	+90/-130	
	114"	+90/-130	+90/-130	+90/-130	+90/-130	+90/-130	+90/-130	+90/-130	+90/-130	+90/-130	
	134"	+90/-130	+90/-130	+90/-130	+90/-130	+90/-130	+90/-130				
	145"	+90/-130	+90/-130	+90/-130	+90/-130	+90/-130					

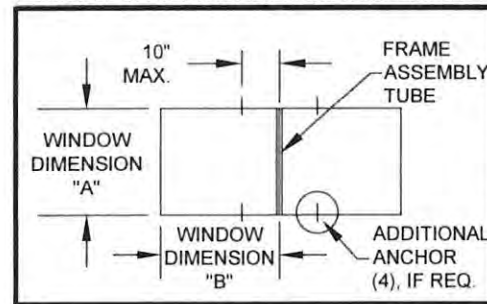


- 1) SEE SHEETS 1, 4 & 5 FOR WINDOW ANCHOR LOCATIONS AND QUANTITIES.
- 2) TABLE DIMENSIONS MAY BE ORIENTED VERTICALLY OR HORIZONTALLY AS SHOWN.

TABLE 11:

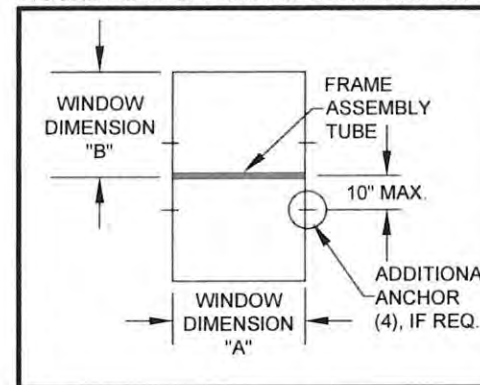
		Design Pressure (psf) for Windows Attached to a Frame Assembly Tube																							
		Window Dimension "A"																							
		under 23"	25-15/16"	29"	31-1/2"	34"				40"				54"				60"				63"			
		Anchor Group	Anchor Group	Anchor Group	Anchor Group	Anchor Group				Anchor Group				Anchor Group				Anchor Group							
		All	All	All	All	A	B	C & D	A	B	C	D	A	B	C	D	A	B	C	D	A	B	C	D	
Window Dimension "B"	under 23"	+70/-90	+70/-90	+70/-90	+70/-90	+70/-90	+70/-86.2	+70/-90	+70/-90	+70/-73.3	+70/-87.7	+70/-90	+/-67.7	+/-54.3	+/-65	+70/-90	+/-61	+/-48.9	+/-58.5	+70/-90	+/-58.1	+/-46.5	+/-55.7	+70/-88.7	
	25-15/16"	+70/-90	+70/-90	+70/-90	+70/-90	+70/-90	+70/-90	+70/-90	+70/-90	+70/-90	+70/-90	+70/-90	+70/-75.1	+70/-90	+70/-90	+70/-90	+/-67.5	+70/-86.6	+70/-90	+70/-90	+/-64.3	+70/-82.5	+70/-90	+70/-90	
	63"	+70/-90	+70/-90	+70/-90	+70/-90	+70/-90	+70/-90	+70/-90	+70/-90	+70/-90	+70/-90	+70/-90	+70/-90	+70/-90	+70/-90	+70/-90	+70/-83.4	+70/-89.1	+70/-90	+70/-90	+70/-79.5	+70/-84.9	+70/-90	+70/-90	
	67-1/2"	+70/-90	+70/-90	+70/-90	+70/-90	+70/-90	+70/-90	+70/-90	+70/-90	+70/-90	+70/-90	+70/-90	+70/-90	+70/-90	+70/-90	+70/-90	+70/-83	+70/-90	+70/-90	+70/-90	+70/-84	+70/-87.1	+70/-90	+70/-90	
	72"	+70/-90	+70/-90	+70/-90	+70/-90	+70/-90	+70/-90	+70/-90	+70/-90	+70/-90	+70/-90	+70/-90	+70/-90	+70/-90	+70/-90	+70/-90	+70/-87.6	+70/-90	+70/-90	+70/-90	+70/-83.4	+70/-89.1	+70/-90	+70/-90	
	76"	+70/-90	+70/-90	+70/-90	+70/-90	+70/-90	+70/-90	+70/-90	+70/-90	+70/-90	+70/-90	+70/-90	+70/-90	+70/-90	+70/-90	+70/-90	+70/-90	+70/-90	+70/-90	+70/-90					
	84"	+70/-90	+70/-90	+70/-90	+70/-90	+70/-90	+70/-90	+70/-90	+70/-90	+70/-90	+70/-90	+70/-90	+70/-90	+70/-90	+70/-90	+70/-90	+70/-90	+70/-90	+70/-90	+70/-90					
	114"	+70/-90	+70/-90	+70/-90	+70/-90	+70/-90	+70/-90	+70/-90	+70/-90	+70/-90	+70/-90	+70/-90													
	134"	+70/-90	+70/-90	+70/-90	+70/-90	+70/-90	+70/-90	+70/-90																	
	145"	+70/-90	+70/-90	+70/-90	+70/-90																				

FIGURE FOR VERTICAL FRAME ASSEMBLY TUBE



SEE SHEETS 1, 4 & 5 FOR WINDOW ANCHOR LOCATIONS AND QUANTITIES. SEE SHEET 3 FOR ANY ADDITIONAL ANCHORS REQUIRED FOR THE FRAME ASSEMBLY TUBE.

FIGURE FOR HORIZONTAL FRAME ASSEMBLY TUBE



SEE SHEETS 1, 4 & 5 FOR WINDOW ANCHOR LOCATIONS AND QUANTITIES. SEE SHEET 3 FOR ANY ADDITIONAL ANCHORS REQUIRED FOR THE FRAME ASSEMBLY TUBE.

Revised By: J ROSOWSKI	Date: 03/13/20	Revision D: NO CHANGES.
Drawn By: J ROSOWSKI	Date: 08/08/12	Revision E: UPDATED SERIES NAME
Description: DESIGN PRESSURES PER GLAZING TYPE		
Title: CASEMENT PICTURE WINDOW DETAILS - LM		
Series/Model: PW-740	Scale: NTS	Sheet: 9 OF 11
		Rev: E

1070 TECHNOLOGY DRIVE
N. VENICE, FL 34275
(941) 480-1600

REGISTRATION #29296

ANTHONY LYNN MILLER
LICENSE
No. 58705
STATE OF FLORIDA
PROFESSIONAL ENGINEER
A. LYNN MILLER, P.E.
P.E. # 58705

FOR GLASS TYPES:

4) 7/8" LAMI. IG:(1/8" AN - 7/16" AIR - 1/8" AN - .090" PVB - 1/8" AN)

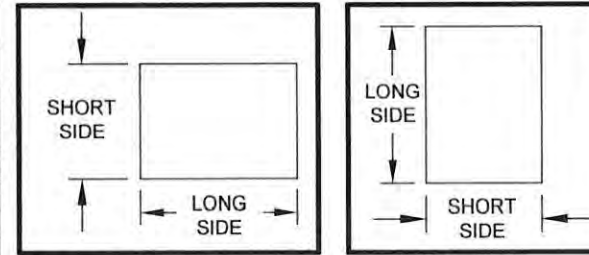
"PVB"= TROSIFOL® PVB INTERLAYER BY KURARAY AMERICA, INC.

PRODUCT RENEWED
as complying with the Florida Building Code
NOA-No. **23-0303.02**
Expiration Date: **04/11/2028**
By: *Manuel Perez*
Miami-Dade Product Control

PRODUCT REVISED
as complying with the Florida Building Code
NOA-No. 20-1223.06
Expiration Date 04/11/2023
By: *[Signature]*
Miami-Dade Product Control

TABLE 12:

		Design Pressure (psf) for Single Windows, All Anchor Groups							
		Short Side							
		under 23"	25-15/16"	27-3/4"	33-1/2"	37"	44"	48-1/4"	53-1/8"
Long Side	under 23"	+60/-70							
	25-15/16"	+60/-70	+60/-70						
	37"	+60/-70	+60/-70	+60/-70	+60/-70	+60/-70			
	44"	+60/-70	+60/-70	+60/-70	+60/-70	+60/-70	+60/-70		
	48-1/4"	+60/-70	+60/-70	+60/-70	+60/-70	+60/-70	+60/-70	+60/-70	
	53-1/8"	+60/-70	+60/-70	+60/-70	+60/-70	+60/-70	+60/-70	+60/-70	+60/-69.3
	58"	+60/-70	+60/-70	+60/-70	+60/-70	+60/-70	+60/-69.6	+60/-64.9	
	63"	+60/-70	+60/-70	+60/-70	+60/-70	+60/-70	+60/-62.9		
	76"	+60/-70	+60/-70	+60/-70	+60/-70	+60/-60.5	+/- 57		
	84"	+60/-70	+60/-70	+60/-70	+/- 55.6				

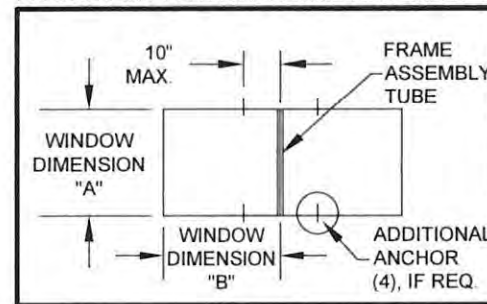


1) SEE SHEETS 1, 4 & 5 FOR WINDOW ANCHOR LOCATIONS AND QUANTITIES.
2) TABLE DIMENSIONS MAY BE ORIENTED VERTICALLY OR HORIZONTALLY AS SHOWN.

TABLE 13:

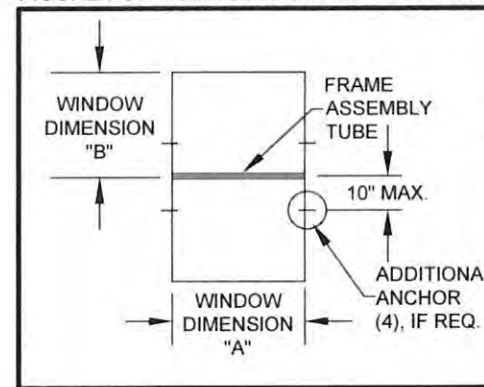
		Design Pressure (psf) for Windows Attached to a Frame Assembly Tube																								
		Window Dimension "A"																								
		under 23"	25-15/16"	27-3/4"	34-1/2"	37"	44"			48-1/4"			53-1/8"				58"				63"					
		Anchor Group	Anchor Group	Anchor Group	Anchor Group	Anchor Group	Anchor Group			Anchor Group			Anchor Group				Anchor Group									
		All	All	All	All	All	A	B	C & D	A	B	C & D	A	B	C	D	A	B	C	D	A	B	C	D		
Window Dimension "B"	under 23"	+60/-70	+60/-70	+60/-70	+60/-70	+60/-70	+60/-70	+60/-66.6	+60/-70	+60/-70	+60/-70	+60/-69	+/-55.3	+60/-66.1	+60/-70	+60/-63.1	+/-50.5	+60/-60.5	+60/-70	+60/-70	+60/-70	+60/-70	+/-58.1	+/-46.5	+/-55.7	+60/-70
	25-15/16"	+60/-70	+60/-70	+60/-70	+60/-70	+60/-70	+60/-70	+60/-70	+60/-70	+60/-70	+60/-70	+60/-67.1	+60/-70	+60/-70	+60/-70	+60/-70	+60/-70	+/-55.9	+60/-70	+60/-70	+60/-70	+60/-70	+60/-70	+60/-70	+60/-70	+60/-70
	37"	+60/-70	+60/-70	+60/-70	+60/-70	+60/-70	+60/-70	+60/-64.6	+60/-70	+60/-70	+60/-70	+60/-70	+/-58.8	+60/-70	+60/-70	+60/-70	+60/-70	+60/-70	+60/-70	+60/-70	+60/-70	+60/-70	+60/-70	+60/-70	+60/-70	+60/-70
	44"	+60/-70	+60/-70	+60/-70	+60/-70	+60/-70	+60/-70	+60/-65.2	+60/-70	+60/-70	+60/-70	+60/-70	+/-59.4	+60/-70	+60/-70	+60/-70	+60/-70	+60/-70	+60/-70	+60/-70	+60/-70	+60/-70	+60/-70	+60/-70	+60/-70	+60/-70
	48-1/4"	+60/-70	+60/-70	+60/-70	+60/-70	+60/-70	+60/-70	+/-59.4	+60/-70	+60/-70	+60/-70	+60/-70	+/-54.1	+60/-70	+60/-70	+60/-70	+60/-70	+60/-70	+60/-70	+60/-70	+60/-70	+60/-70	+60/-70	+60/-70	+60/-70	+60/-70
	53-1/8"	+60/-70	+60/-70	+60/-70	+60/-70	+60/-70	+60/-70	+60/-63.1	+60/-70	+60/-70	+60/-70	+60/-70	+/-57.5	+60/-65.8	+60/-70	+60/-70	+60/-70	+60/-70	+60/-70	+60/-70	+60/-70	+60/-70	+60/-70	+60/-70	+60/-70	+60/-70
	58"	+60/-70	+60/-70	+60/-70	+60/-70	+60/-70	+60/-68.6	+60/-65.9	+60/-69.6	+60/-69.6	+60/-60.1	+60/-64.9	+60/-64.9													
	63"	+60/-70	+60/-70	+60/-70	+60/-70	+60/-70	+60/-60.7	+60/-60.7	+60/-62.9	+60/-62.9																
	76"	+60/-70	+60/-70	+60/-70	+60/-70	+60/-60.5	+/-57																			
	84"	+60/-70	+60/-70	+60/-70	+/-55.6																					

FIGURE FOR VERTICAL FRAME ASSEMBLY TUBE



SEE SHEETS 1, 4 & 5 FOR WINDOW ANCHOR LOCATIONS AND QUANTITIES. SEE SHEET 3 FOR ANY ADDITIONAL ANCHORS REQUIRED FOR THE FRAME ASSEMBLY TUBE.

FIGURE FOR HORIZONTAL FRAME ASSEMBLY TUBE



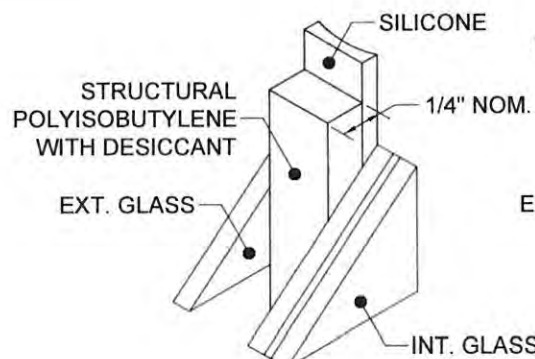
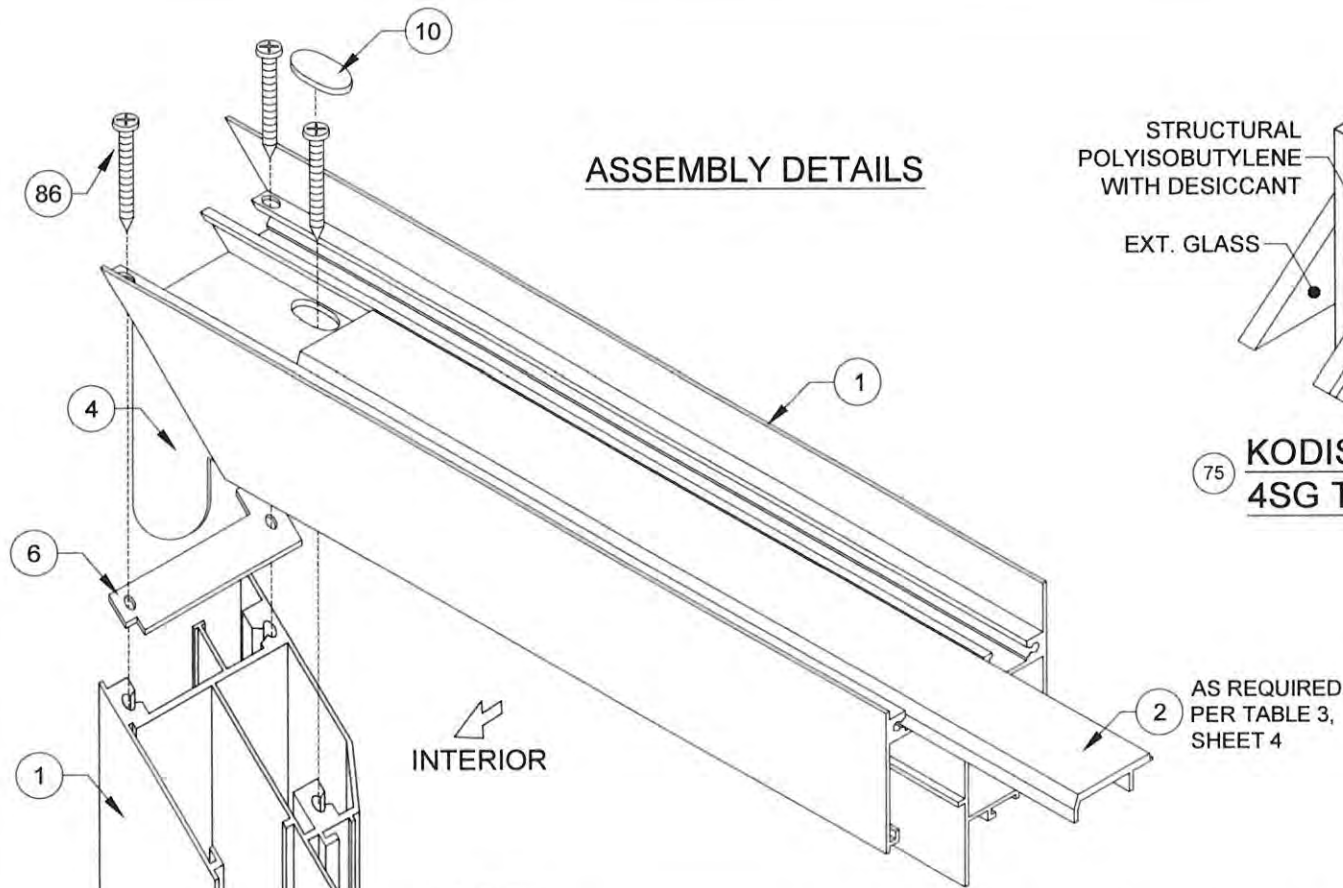
SEE SHEETS 1, 4 & 5 FOR WINDOW ANCHOR LOCATIONS AND QUANTITIES. SEE SHEET 3 FOR ANY ADDITIONAL ANCHORS REQUIRED FOR THE FRAME ASSEMBLY TUBE.

SEE SHEET 4 FOR ADDITIONAL SAMPLE CONFIGURATIONS

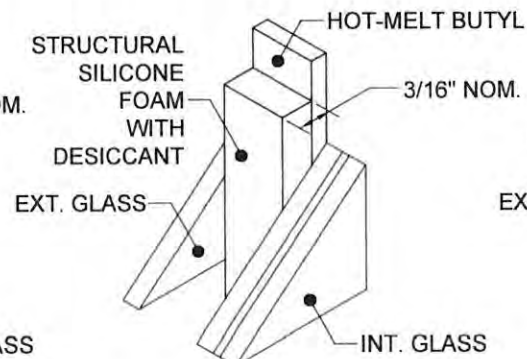
Revised By: **J ROSOWSKI** Date: **03/13/20** Revision D: **NO CHANGES.**
 Drawn By: **J ROSOWSKI** Date: **08/08/12** Revision E: **UPDATED SERIES NAME**
 Description: **DESIGN PRESSURES PER GLAZING TYPE**
 Title: **CASEMENT PICTURE WINDOW DETAILS - LM**
 Series/Model: **PW-740** Drawing No. **10 OF 11 MD-PW740-LM**
 Scale: **NTS** Sheet: **10 OF 11** Rev: **E**

A. LYNN MILLER, P.E.
P.E.# 58705

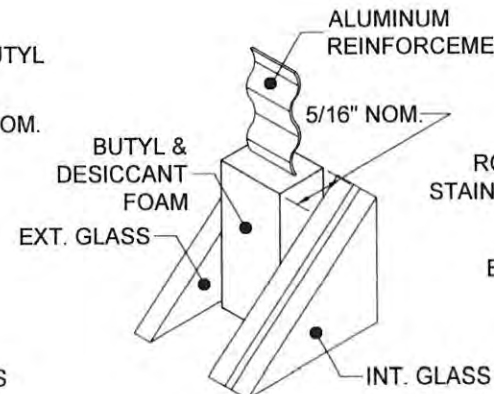
ASSEMBLY DETAILS



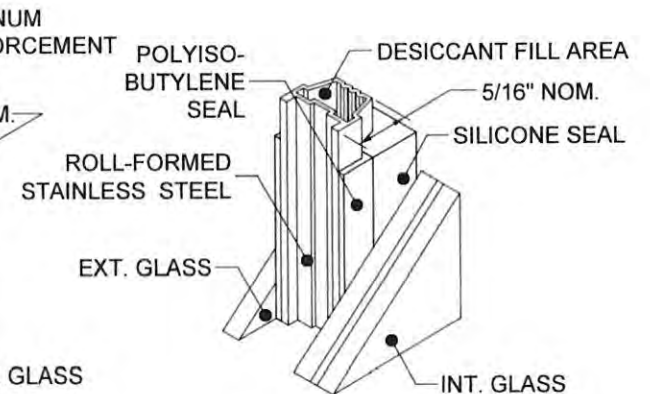
75 **KODISPACE 4SG TPS**



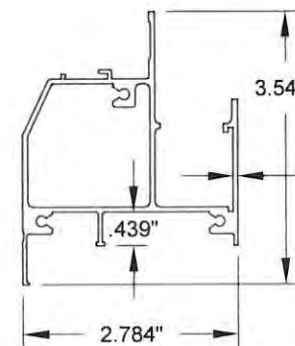
76 **SUPER SPACER[®] NXT[™]**



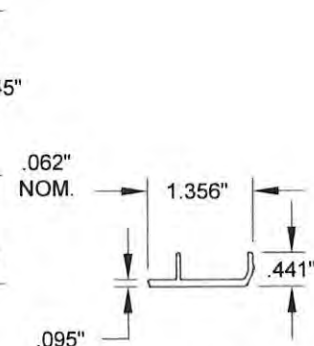
77 **DURASEAL[®] SPACER**



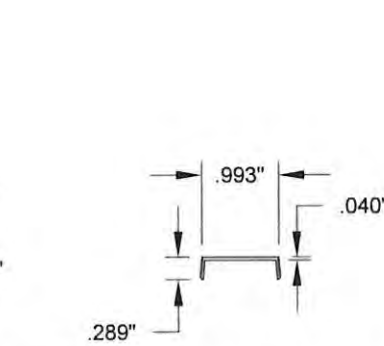
78 **XL EDGE[™] SPACER**



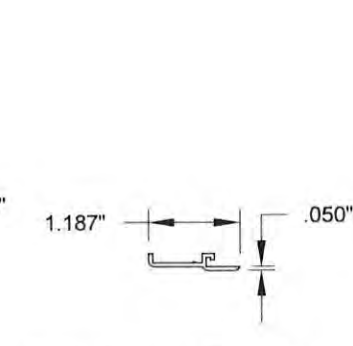
1 **FRAME HEAD, SILL & JAMB**
#7005, 6063-T6



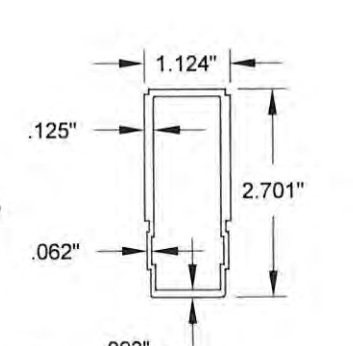
2 **ANCHOR PLATE**
#7071, 6063-T6



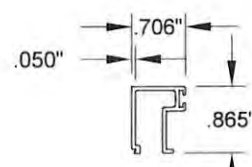
3 **INST. HOLE COVER**
#7007, 6063-T6



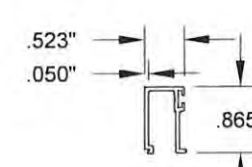
70 **ADDON FLANGE**
#134, 6063-T6



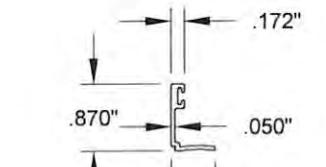
71 **FRAME ASSEMBLY TUBE**
#7004, 6063-T6



35 **BEAD B**
#7036, 6063-T6



36 **BEAD C**
#7042, 6063-T6



37 **BEAD D**
#7059, 6063-T6

TABLE 14:

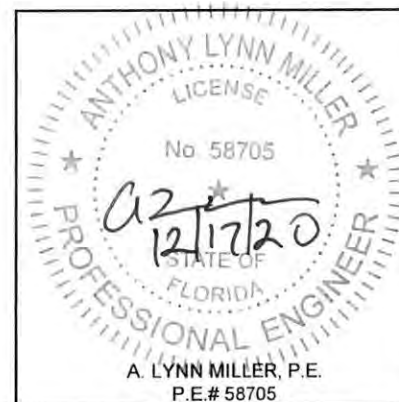
Item	Dwg. #	Description	Mat.
1	7005	Main Frame Head, Sill & Jambs	6063-T6 Alum.
2	7071	Anchor Plate	6063-T6 Alum.
3	7007	Installation Hole Cover	6063-T6 Alum.
4	7010	Frame Corner Key	Steel
6	7078	Frame Gasket	Vinyl Foam
10	7055	Fixed Frame Hole Plug	PVC
32	1713	Setting Block 5/32" x 3/16" x 1-1/4"	EPDM
33	1714	Setting Block 5/32" x 1-7/16" x 1-1/4"	EPDM
35	7036	Bead B	6063-T6 Alum.
36	7042	Bead C	6063-T6 Alum.
37	7059	Bead D	6063-T6 Alum.
38	1224	Vinyl Bulb Wstp (Thick)	Flex PVC 70
39	1225	Vinyl Bulb Wstp (Thin)	Flex PVC 70
50		Dow 791, 899 or 983 Silicone Backbedding	
70	134	Add-on Flange	6063-T6 Alum.
71	7004	Casement Frame Assy Tube	6063-T6 Alum.
86		#8 X 1-1/2" Quad Pn SMS Stainless Steel	Stainless Steel
90		#12 x 1" Ph. Pn. TEK	Stainless Steel

Part #	Description	Material
75	Kommerling 4SG TPS Spacer System	See this Sheet for Materials
76	Quanex Super Spacer nXT with Hot Melt Butyl	
77	Quanex Duraseal Spacer	
78	Cardinal XL Edge Spacer	

REFERENCE TEST REPORTS: FTL-8717, 8968 & 8970

PRODUCT RENEWED
as complying with the Florida Building Code
NOA-No. **23-0303.02**
Expiration Date: **04/11/2028**
By: *Manuel Perez*
Miami-Dade Product Control

PRODUCT REVISED
as complying with the Florida Building Code
NOA-No. **20-1223.06**
Expiration Date **04/11/2023**
By: *ci*
Miami-Dade Product Control



PGT
1070 TECHNOLOGY DRIVE
N. VENICE, FL 34275
(941) 480-1600
REGISTRATION #29296

Revised By: JR	Date: 03/13/20	Revision D: ADDED BACKBEDDING.
Revised By: JR	Date: 12/17/20	Revision E: UPDATED SERIES NAME.
Description: BOM AND EXTRUSIONS		Drawn By: J ROSOWSKI
Title: CASEMENT PICTURE WINDOW DETAILS - LM		Date: 08/08/12
Series/Model: PW-740	Scale: NTS	Sheet: 11 OF 11
Drawing No. MD-PW740-LM	Rev: E	