

FLORIDA PRODUCT APPROVAL DRAWINGS FOR FL600

INDEX TO DRAWINGS AND NOTES	
1	INDEX TO DRAWING AND NOTES
2	FRAMING ELEVATION AND MULLION CHART
3	STANDARD FRAMING DETAILS
4	OPTIONAL FRAMING DETAILS
5	OPTIONAL FRAMING DETAILS
6	BILL OF MATERIALS
7	DIE DRAWINGS
8	DIE DRAWINGS
9	SUBSILL ANCHORING
10	FASTENER LOCATIONS
11	FASTENER LOCATIONS
12	FASTENER LOCATIONS
13	FASTENER LOCATIONS
14	FASTENER LOCATIONS
15	FASTENER LOCATIONS

GENERAL NOTES:

TEST STANDARDS
TAS202

WATER INFILTRATION 15 PSF
AIR INFILTRATION 6.24

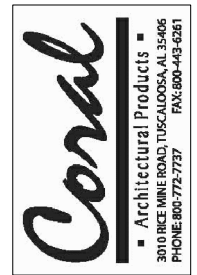
TYPICAL GLASS BITE 7/16" UNLESS OTHERWISE NOTED

1/4" MINIMUM AND 3/4" MAXIMUM SHIM SPACE @ PERIMETER UNLESS
OTHERWISE NOTED

THIS PRODUCT HAS BEEN DESIGNED AND TESTED TO COMPLY WITH THE
CURRENT FLORIDA BUILDING CODE

SERIES 213, 380, AND 500 DOORS SHOWN ON DRAWINGS ARE UNDER
SEPERATE APPROVAL NUMBER PREVAILING PRESSURE OF DOOR WILL
PREVAIL WHEN USED IN THIS SYSTEM

REV	BY	DATE	DESCRIPTION



FLORIDA PRODUCT APPROVAL DRAWINGS FOR FL600

INDEX TO DRAWINGS AND NOTES

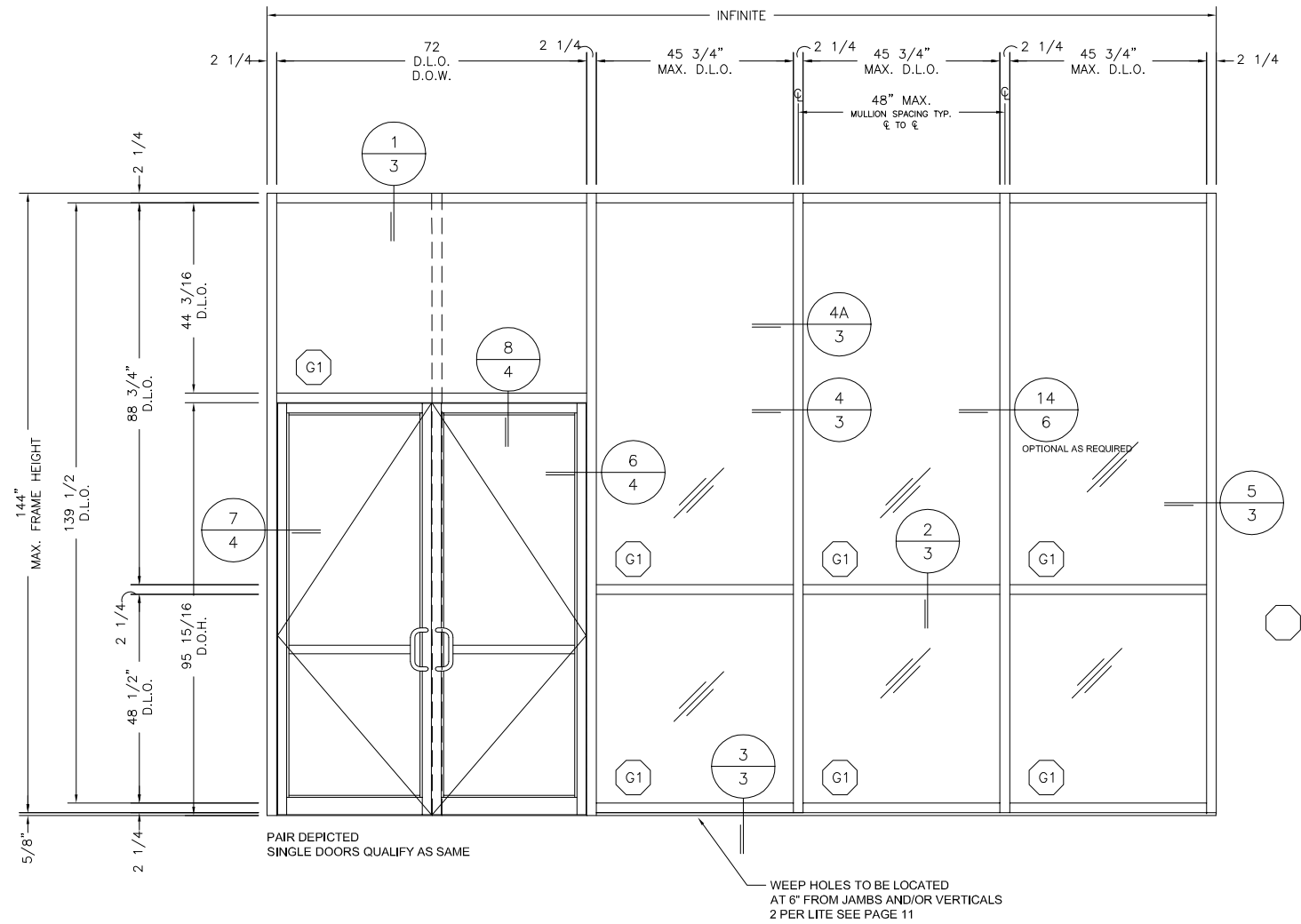
ELIZABETH A. BROADWAY
PROFESSIONAL ENGINEER
FLORIDA REGISTRATION NO. 38558

BROADWAY ENGINEERING, P.A.
CIVIL, MECHANICAL, STRUCTURAL AND BUILDING DESIGN
See Us At www.Broadway-Eng.Com

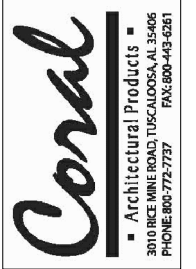
1335 W. Cass Street
Tampa, Florida 33606 813-251-9244
Fax 813-251-9330 Bus. Email: Info@Broadway-Eng.Com
Cadd. Email: DGorr@Broadway-Eng.Com
BE-4545 Certificate of Authorization No. 4599

PROJECT NO. FL600	
DRAWN <i>MRG</i>	DATE 8/14/17
CHECKED <i>WS</i>	APPROVED ###
SHEET 1 OF 15	

MULLION CHART			
PRESSURES UP TO +/- 40			
DETAIL	MULLION	MODULES (WIDTHS)	SPANS (HEIGHT)
4 ON 3	FL634/635	72"	120"
4A ON 3	FL646/625	48"	144"



REV	BY	DATE	DESCRIPTION

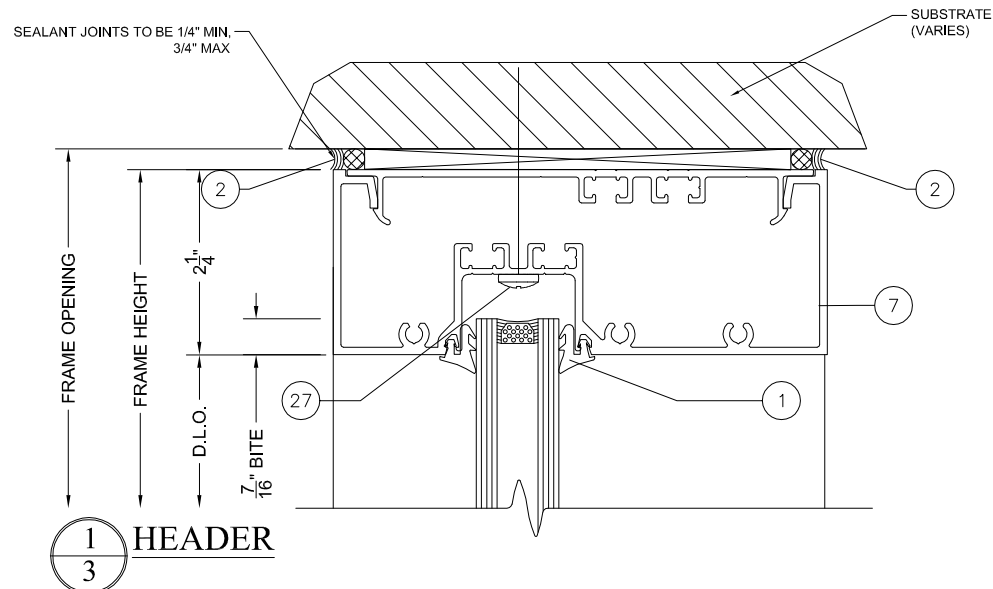


FLORIDA PRODUCT APPROVAL DRAWINGS FOR FL600
 FRAMING ELEVATION AND MULLION CHART

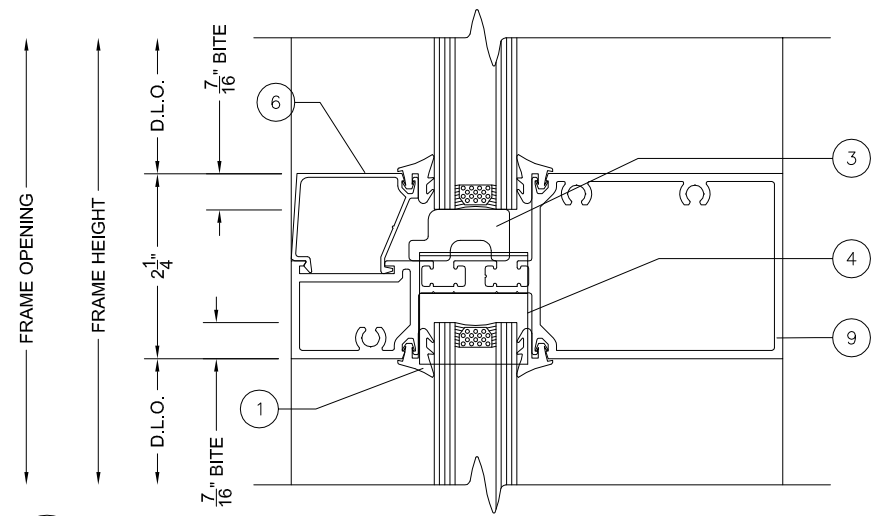
ELIZABETH A. BROADWAY
 PROFESSIONAL ENGINEER
 FLORIDA REGISTRATION NO. 38558

BROADWAY ENGINEERING, P.A.
 CIVIL, MECHANICAL, STRUCTURAL AND BUILDING DESIGN
 See Us At www.Broadway-Eng.Com
 1335 W. Cass Street
 Tampa, Florida 33606 813-251-9244
 Fax 813-251-9330 Bus. Email: Info@Broadway-Eng.Com
 Cadd. Email: DGorr@Broadway-Eng.Com
 BE-4545 Certificate of Authorization No. 4599

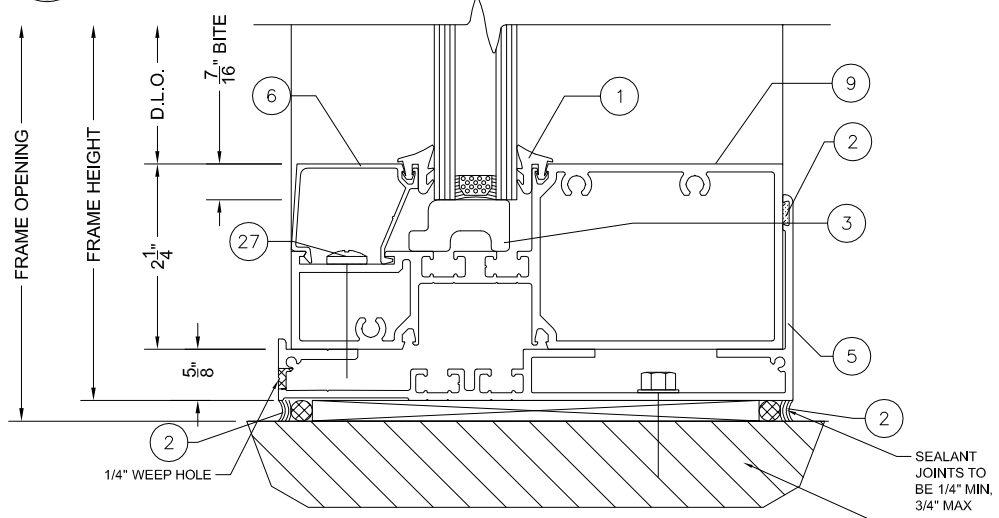
PROJECT NO. FL600	
DRAWN MRG	DATE 8/14/17
CHECKED WS	APPROVED ###
SHEET 2 OF 15	



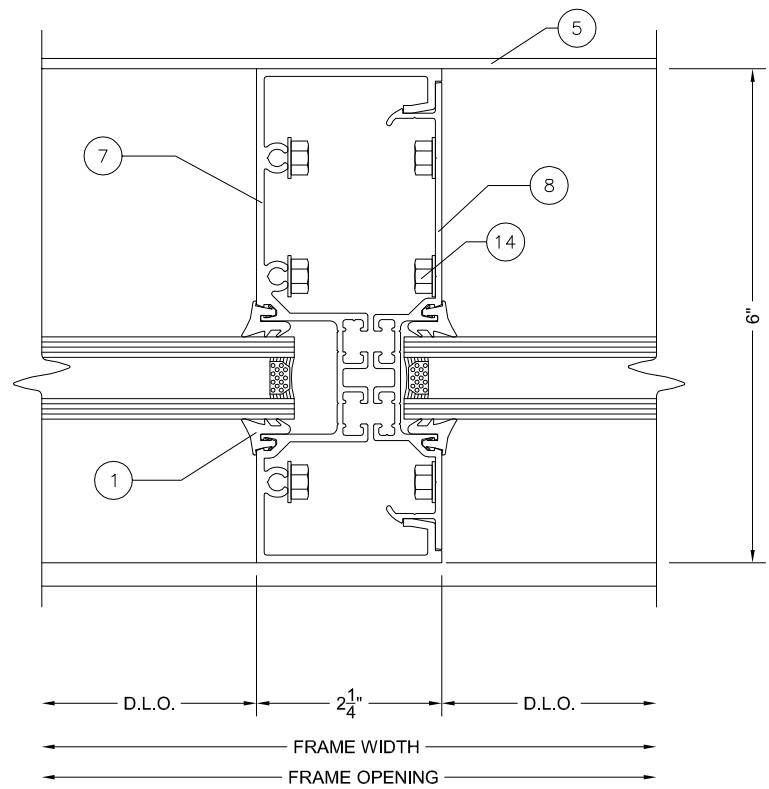
1
3 HEADER



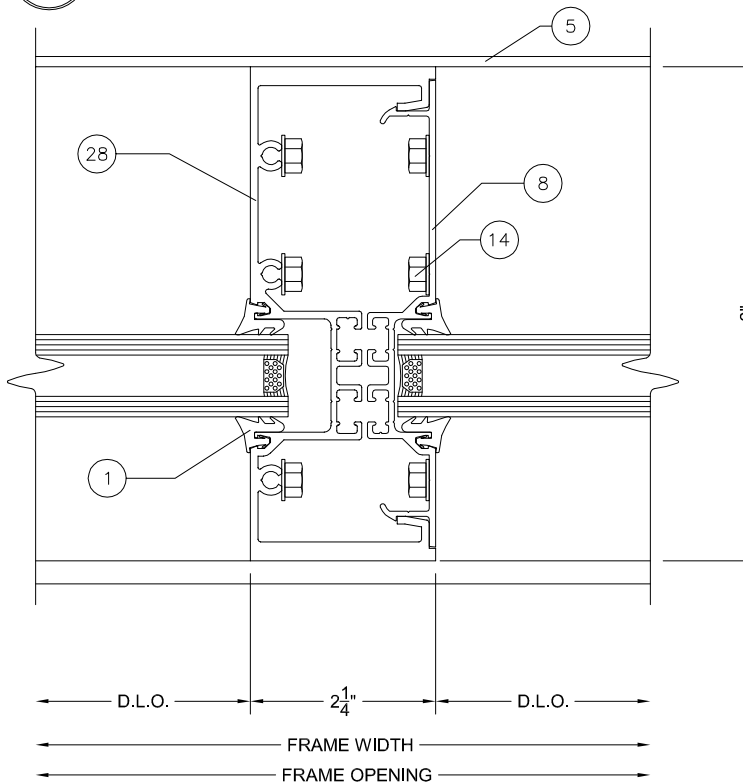
2
3 HORIZONTAL



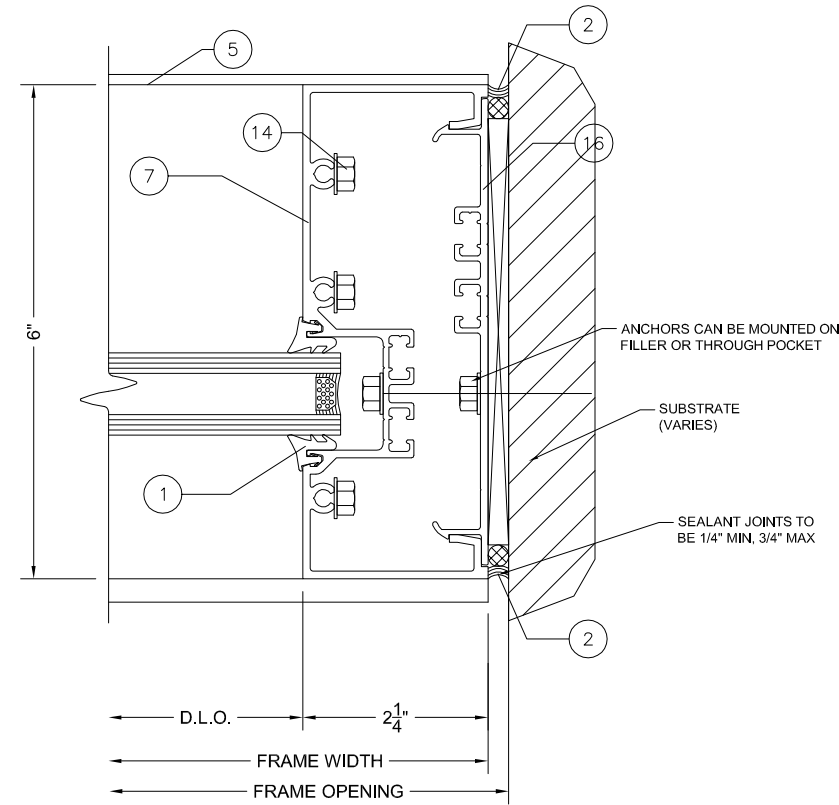
3
3 SILL



4
3 VERTICAL



4A
3 HEAVY WALL VERTICAL



5
3 JAMB

REV	BY	DATE	DESCRIPTION

Coral
Architectural Products
3010 BEECHWOOD ROAD, TUSCALOOSA, AL 35406
PHONE: 601-772-7727 FAX: 601-443-0261

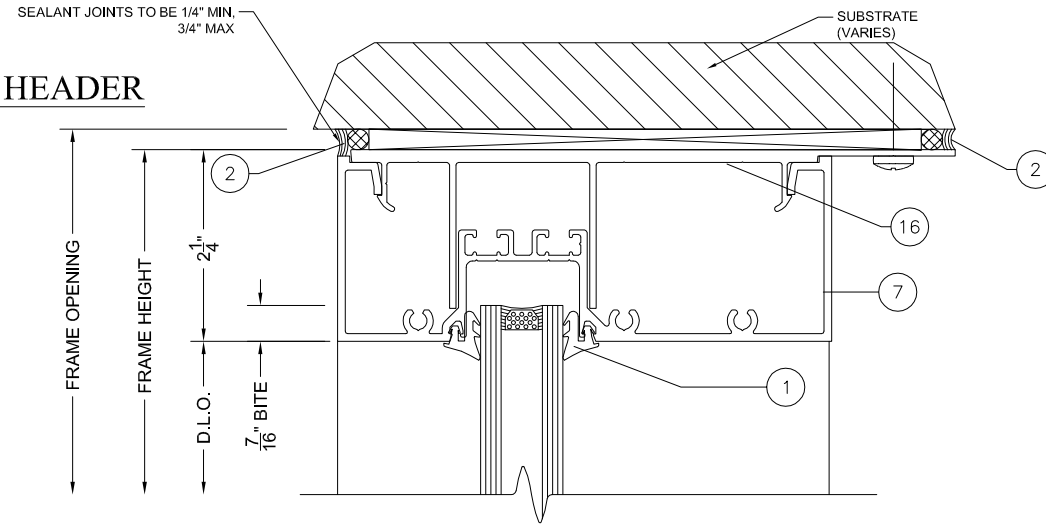
FLORIDA PRODUCT
APPROVAL DRAWINGS FOR FL600
STANDARD FRAMING DETAILS

ELIZABETH A. BROADWAY
PROFESSIONAL ENGINEER
FLORIDA REGISTRATION NO. 38558

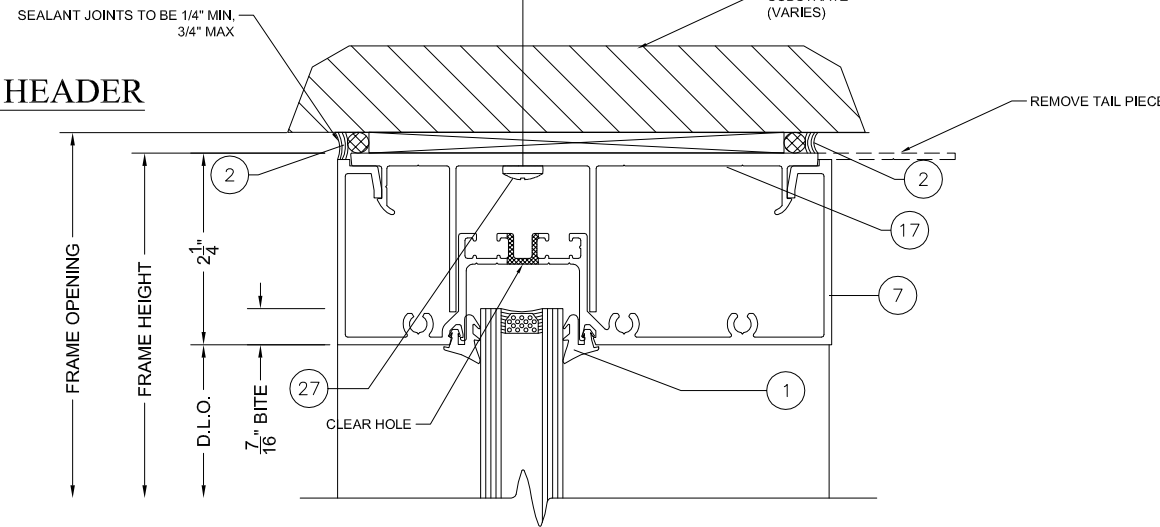
BROADWAY ENGINEERING, P.A.
CIVIL, MECHANICAL, STRUCTURAL AND BUILDING DESIGN
See Us At www.Broadway-Eng.Com
1335 W. Cass Street
Tampa, Florida 33606 813-251-9244
Fax 813-251-9330 Bus. Email: Info@Broadway-Eng.Com
Cadd. Email: DGorr@Broadway-Eng.Com
BE-4545 Certificate of Authorization No. 4599

PROJECT NO.	FL600
DRAWN	DATE
MRG	8/14/17
CHECKED	APPROVED
WS	###
SHEET	3 OF 15

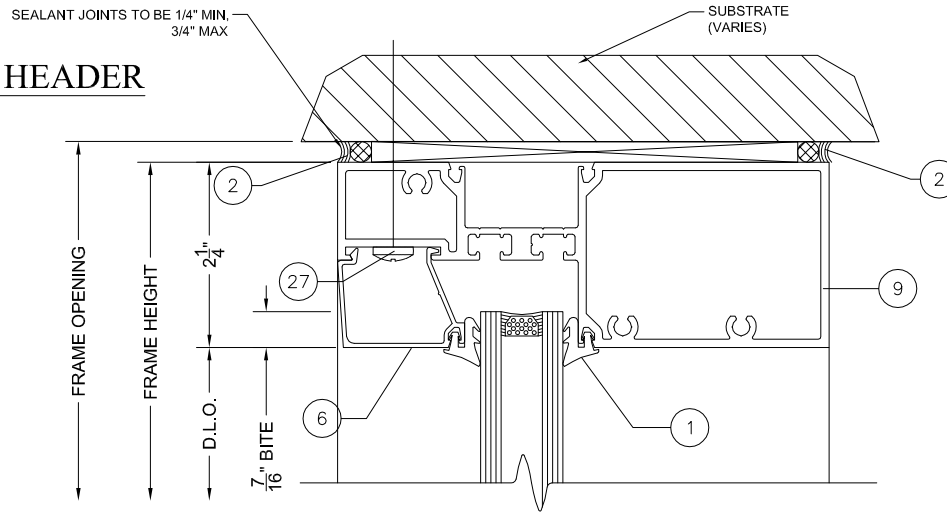
9
5 OPTIONAL HEADER



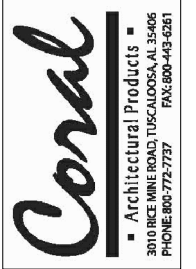
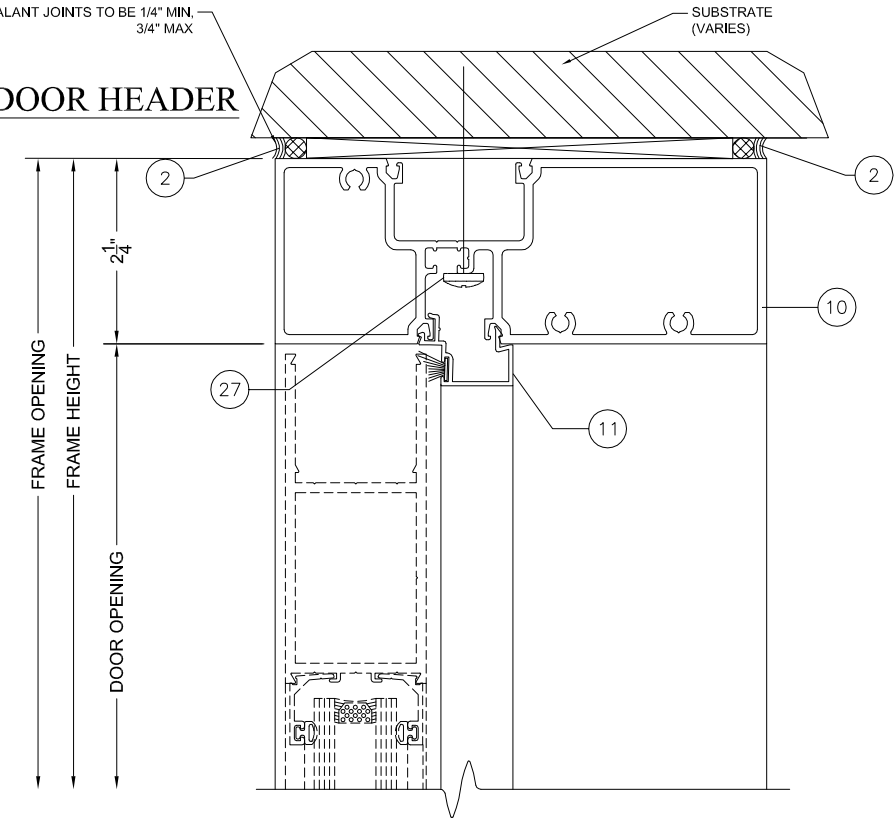
10
5 OPTIONAL HEADER



11
5 OPTIONAL HEADER



12
5 OPTIONAL DOOR HEADER



FLORIDA PRODUCT
APPROVAL DRAWINGS FOR FL600

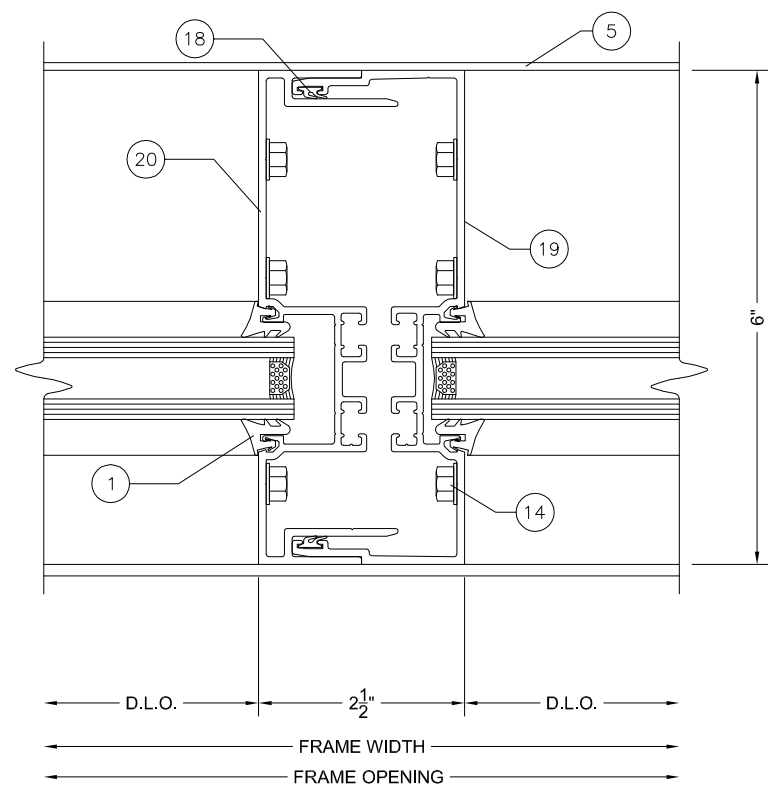
OPTIONAL FRAMING DETAILS

ELIZABETH A. BROADWAY
PROFESSIONAL ENGINEER
FLORIDA REGISTRATION NO. 38558

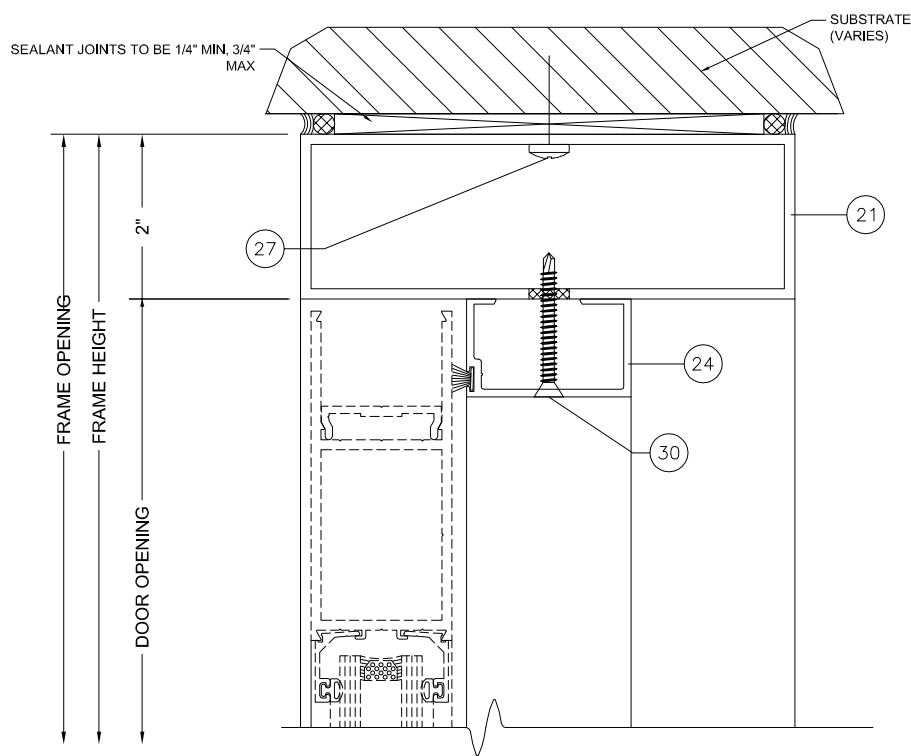
BROADWAY ENGINEERING, P.A.
CIVIL, MECHANICAL, STRUCTURAL AND BUILDING DESIGN
See Us At www.Broadway-Eng.Com
1335 W. Cass Street
Tampa, Florida 33606 813-251-9244
Fax 813-251-9330 Bus. Email: Info@Broadway-Eng.Com
Cadd. Email: DGorr@Broadway-Eng.Com
BE-4545 Certificate of Authorization No. 4599

PROJECT NO. FL600	
DRAWN MRG	DATE 8/14/17
CHECKED WS	APPROVED ###
SHEET 5 OF 15	

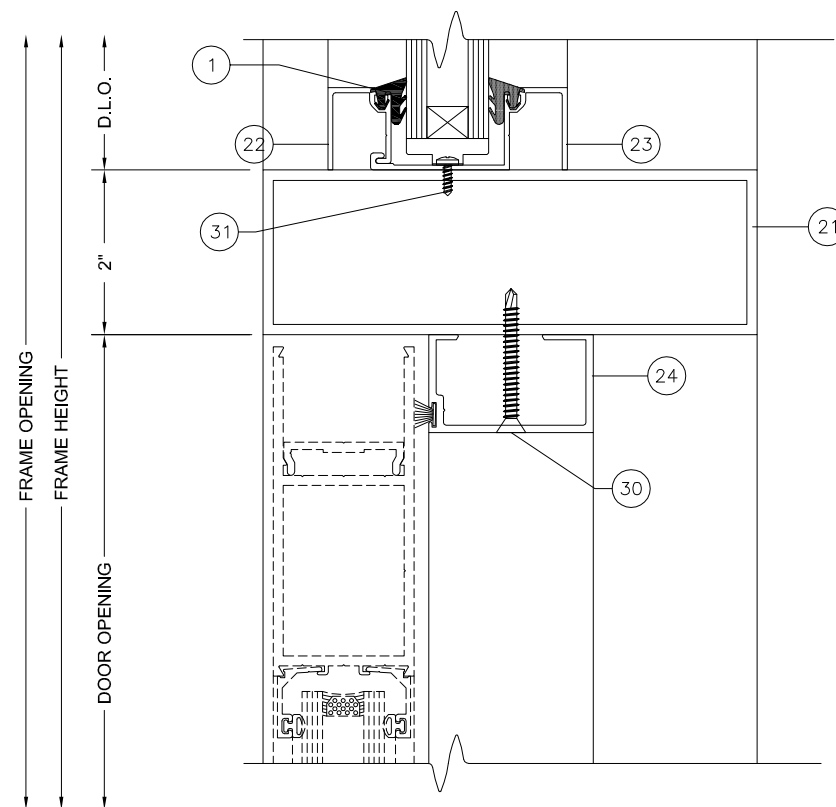
REV	BY	DATE	DESCRIPTION



14
6 VERTICAL EXPANSION MULLION



15
6 OPTIONAL DOOR HEADER W/
OFFSET ARM



16
6 OPTIONAL DOOR HEADER W/
OFFSET BAR

ELIZABETH A. BROADWAY
PROFESSIONAL ENGINEER
FLORIDA REGISTRATION NO. 38558



BROADWAY ENGINEERING, P.A.
CIVIL, MECHANICAL, STRUCTURAL AND BUILDING DESIGN
See Us At www.Broadway-Eng.Com

1335 W. Cass Street
Tampa, Florida 33606 813-251-9244

Fax 813-251-9330 Bus. Email: Info@Broadway-Eng.Com
Cadd. Email: DGorr@Broadway-Eng.Com

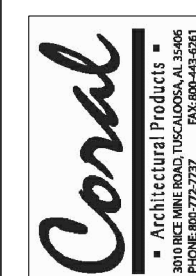
BE-4545 Certificate of Authorization No. 4599

FLORIDA PRODUCT
APPROVAL DRAWINGS FOR FL600

OPTIONAL FRAMING DETAILS

PROJECT NO. FL600	
DRAWN MRG	DATE 8/14/17
CHECKED WS	APPROVED ###
SHEET	

6 OF 15



REV	BY	DATE	DESCRIPTION

BILL OF MATERIALS

ITEM NO.	P/N	DESCRIPTION	DIMENSIONS	MATERIAL	MANUFACTURER	NOTES
1	NG1	EXTERIOR GLAZING GASKET	0.120 SPACE	EPDM	VARIES	
2	795	SILICONE	FILL SPACE	SILICONE	DOW CORNING	
3	SB3	SETTING BLOCK @ SILL & HORIZONTAL	0.625 X 1.218 X 4.000	EPDM - SHORE A HARDNESS 70-90 DURO	VARIES	2 PER LITE
4	WD300-1	WATER DIVERTER	1.358 X 1.344 X 4.000	INJECTION MOLDED PLASTIC	CORAL INDUSTRIES, INC.	@ EACH END OF HORIZONTAL
5	FL639	SUBSILL FLASHING	2.250 X 6.250 X 0.094	6063-T6 ALUMINUM	CORAL INDUSTRIES, INC.	
6	FL303	GLASS STOP	1.207 X 1.543 X 0.050	6063-T6 ALUMINUM	CORAL INDUSTRIES, INC.	
7	FL634	VERTICAL/HEAD/JAMB	2.250 X 6.000 X 0.093	6063-T6 ALUMINUM	CORAL INDUSTRIES, INC.	
8	FL625	OPEN BACK MULLION FILLER	0.862 X 5.670 X 0.078	6063-T6 ALUMINUM	CORAL INDUSTRIES, INC.	
9	FL626	INTERMEDIATE HORIZONTAL	2.250 X 5.969 X 0.100	6063-T6 ALUMINUM	CORAL INDUSTRIES, INC.	
10	FL607	DOOR HEADER	2.250 X 5.969 X 0.110	6063-T6 ALUMINUM	CORAL INDUSTRIES, INC.	
11	DS200	DOOR STOP	.500 X 1.019 X .050	6063-T6 ALUMINUM	CORAL INDUSTRIES, INC.	
12	FL609	DOOR JAMB	2.250 X 6.000 X .093	6063-T6 ALUMINUM	CORAL INDUSTRIES, INC.	
13	ED619-1	SILL FLASHING END DAM	2.250 X 1.000 X 0.062	6063-T6 ALUMINUM	CORAL INDUSTRIES, INC.	
14	AS16	FASTENER	#14 X 1" HHSTS	STEEL	VARIES	TYP. SPLINE SCREW VERTICAL/HORIZONTAL JOINTS
16	CS604	FLAT FILLER	5.6668 X .6730 X .093	6063-T6 ALUMINUM	CORAL INDUSTRIES, INC.	
17	CS601	F-CLIP	7.3411 X 1.9135 X .156	6063-T6 ALUMINUM	CORAL INDUSTRIES, INC.	12" IN LENGTH
18	VG10	GASKET		EPDM	VARIES	
19	FL610	VERTICAL EXPANSION MULLION	2.0939 X 6.00 X .093	6063-T6 ALUMINUM	CORAL INDUSTRIES, INC.	
20	FL611	VERTICAL EXPANSION MULLION	1.6945 X 6.00 X .093	6063-T6 ALUMINUM	CORAL INDUSTRIES, INC.	
21	FL612	DOOR HEADER	2.00 X 6.00 X .125	6063-T6 ALUMINUM	CORAL INDUSTRIES, INC.	
22	FL518	SASH	1.00 X .7670 X .0620	6063-T6 ALUMINUM	CORAL INDUSTRIES, INC.	
23	CS115	SASH	1.00 X 2.3910 X .0620	6063-T6 ALUMINUM	CORAL INDUSTRIES, INC.	
24	DS202	DOOR STOP	1.1880 X 2.00 X .0900	6063-T6 ALUMINUM	CORAL INDUSTRIES, INC.	
25	CS118	MALE HEAD RECEPTOR	1.531 X 1.465 X .062	6063-T6 ALUMINUM	CORAL INDUSTRIES, INC.	
26	CS619	FEMALE HEAD RECEPTOR	1.5620 X 6.286 X .062	6063-T6 ALUMINUM	CORAL INDUSTRIES, INC.	
27	AS56	FASTENER	#12 X 1.5 SS PHPSMS	STEEL	VARIES	ANCHOR TO CONNECT SILL TO SUBSILL
28	FL646	HEAVY WALL VERTICAL	2.25 X 6 X .23	6063-T6 ALUMINUM	CORAL INDUSTRIES, INC.	
29	FL649	HEAVY WALL DOOR JAMB	2.5 X 6 X .156	6063-T6 ALUMINUM	CORAL INDUSTRIES, INC.	
30	AS39	FASTENER		STEEL	VARIES	
31	AS21	FASTENER		STEEL	VARIES	

GLASS INDEX

MARK	DESCRIPTION
G1	1" INSULATED UNIT 1/4" CLEAR TEMP 1/2" AIR SPACE 1/4" CLEAR TEMP

ELIZABETH A. BROADWAY
PROFESSIONAL ENGINEER
FLORIDA REGISTRATION NO. 38558



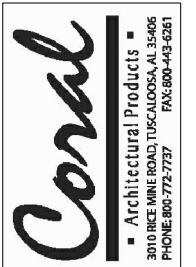
BROADWAY ENGINEERING, P.A.
CIVIL, MECHANICAL, STRUCTURAL AND BUILDING DESIGN
See Us At www.Broadway-Eng.Com

1335 W. Cass Street
Tampa, Florida 33606 813-251-9244

Fax 813-251-9330 Bus. Email: Info@Broadway-Eng.Com
Cadd. Email: DGorr@Broadway-Eng.Com

BE-4545 Certificate of Authorization No. 4599

REV	BY	DATE	DESCRIPTION

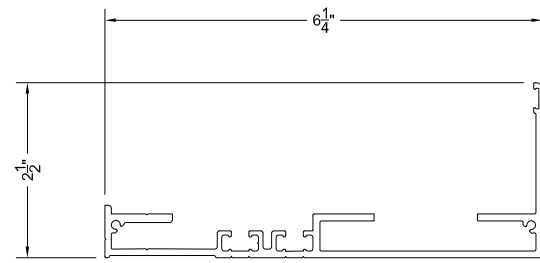


FLORIDA PRODUCT
APPROVAL DRAWINGS FOR FL600

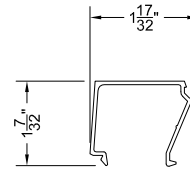
BILL OF MATERIALS

PROJECT NO. FL600	
DRAWN MRG	DATE 8/14/17
CHECKED WS	APPROVED ###
SHEET	

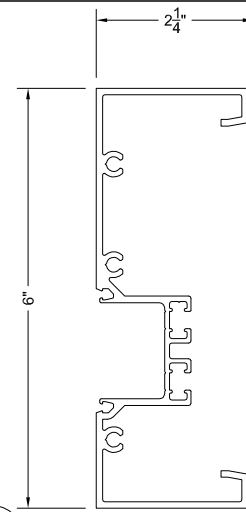
7 OF 15



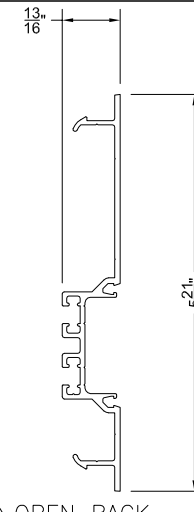
5 SUBSILL



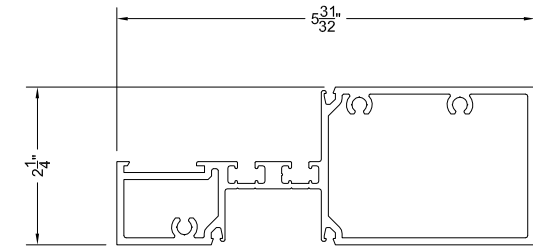
6 GLASS STOP



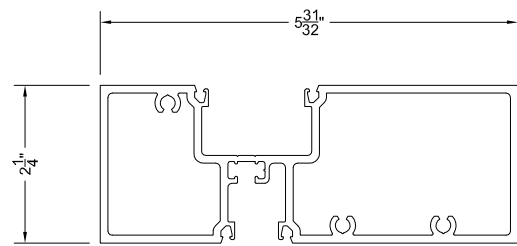
7 VERTICAL MULLION



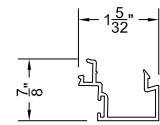
8 OPEN BACK MULLION FILLER



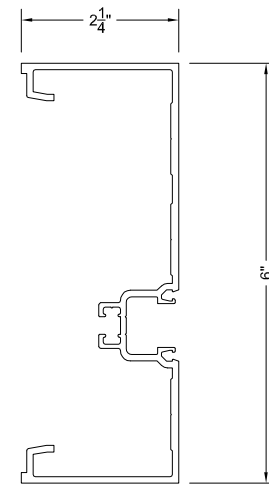
9 HORIZONTAL MULLION



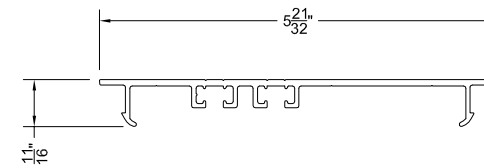
10 DOOR HEADER



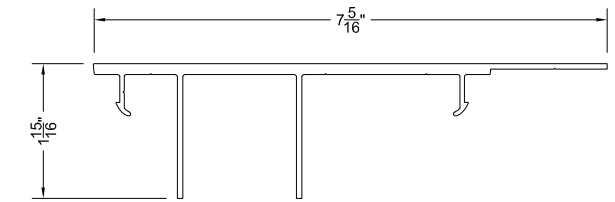
11 DOOR STOP



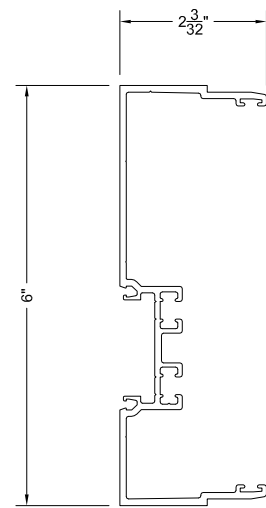
12 DOOR JAMB



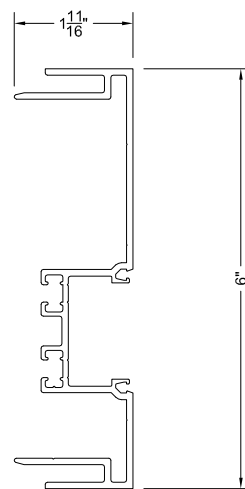
16 FLAT FILLER



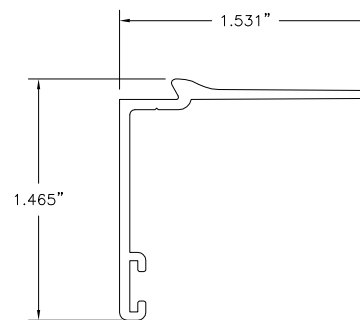
17 F-CLIP



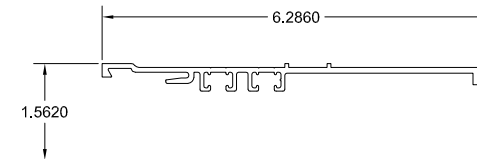
19 VERTICAL EXPANSION MULLION



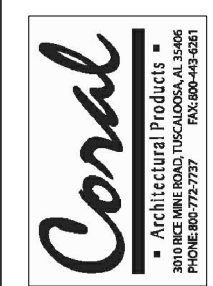
20 VERTICAL EXPANSION MULLION



25 HEAD RECEPTOR



26 HEAD RECEPTOR



FLORIDA PRODUCT APPROVAL DRAWINGS FOR FL600

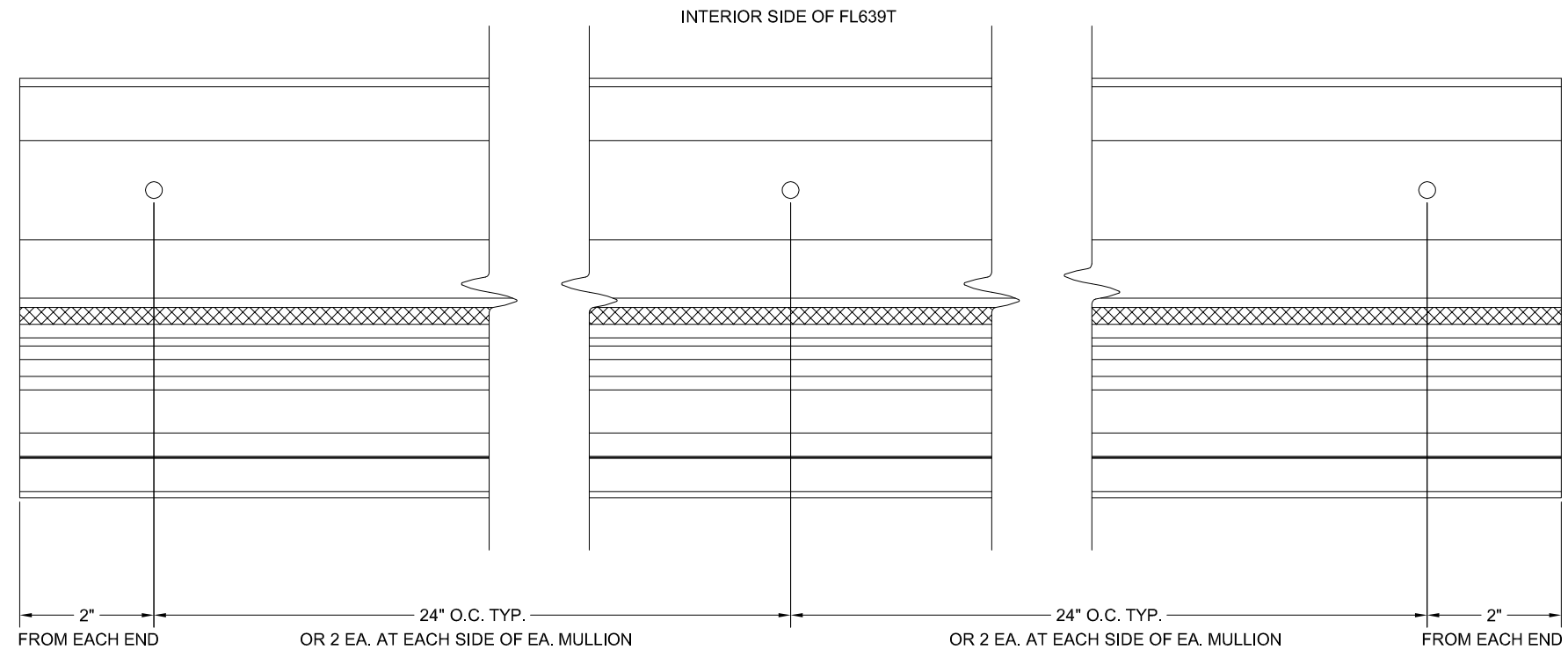
DIE DRAWINGS

ELIZABETH A. BROADWAY
PROFESSIONAL ENGINEER
FLORIDA REGISTRATION NO. 38558

BROADWAY ENGINEERING, P.A.
CIVIL, MECHANICAL, STRUCTURAL AND BUILDING DESIGN
See Us At www.Broadway-Eng.Com
1335 W. Cass Street
Tampa, Florida 33606 813-251-9244
Fax 813-251-9330 Bus. Email: Info@Broadway-Eng.Com
Cadd. Email: DGorr@Broadway-Eng.Com
BE-4545 Certificate of Authorization No. 4599

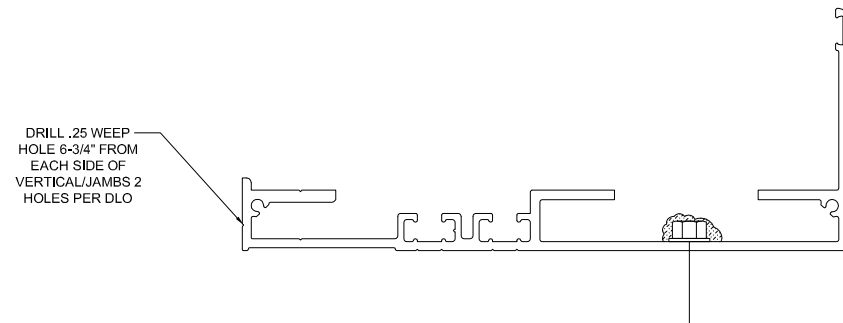
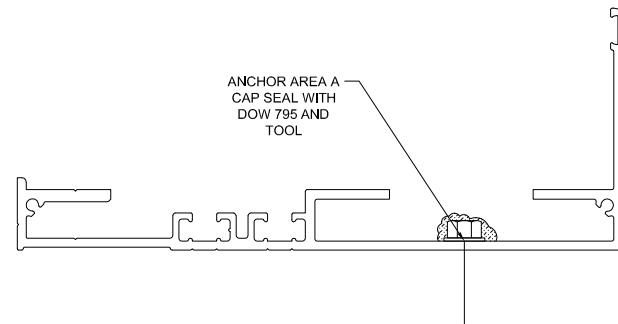
PROJECT NO. FL600	
DRAWN MRG	DATE 8/14/17
CHECKED WS	APPROVED ###
SHEET 8 OF 15	

REV	BY	DATE	DESCRIPTION



REFERENCE CHART BELOW FOR ANCHOR LOCATIONS

SUBSILL ANCHORING



FL639 AND FL639T ANCHOR TYPES		
SUBSTRATE	ANCHOR TYPE	LENGTH BASED ON 1/2" SHIM SPACE
WOOD 1-1/2" THICK	#14 WOOD SCREW	1-3/4" EVERY 16" ON CENTER AND 2" FROM EACH END
WOOD 3" THICK	#14 WOOD SCREW	2-1/2" PER DRAWING ABOVE
CONCRETE MIN 2500 PSI	1/4" HEX HEAD TAPCON OR EQUAL	3" PER DRAWING ABOVE
STEEL STUD MIN 18 GA	#14 PH OR HH TEK SCREW	2" PER DRAWING ABOVE
STEEL HOT ROLLED MIN 1/8"	#14 PH OR HH TEK SCREW	2" PER DRAWING ABOVE
STEEL HOT ROLLED MIN 1/8"	#14 PH OR HH TEK SCREW	2" PER DRAWING ABOVE
STEEL HOT ROLLED MIN 1/8"	1/4" TYPE F OR STANDARD SAE AND TAP	2" PER DRAWING ABOVE

ELIZABETH A. BROADWAY
PROFESSIONAL ENGINEER
FLORIDA REGISTRATION NO. 38558

BROADWAY ENGINEERING, P.A.
CIVIL, MECHANICAL, STRUCTURAL AND BUILDING DESIGN
See Us At www.Broadway-Eng.Com
1335 W. Cass Street
Tampa, Florida 33606 813-251-9244
Fax 813-251-9330 Bus. Email: Info@Broadway-Eng.Com
Cadd. Email: DGorr@Broadway-Eng.Com
BE-4545 Certificate of Authorization No. 4599

FLORIDA PRODUCT
APPROVAL DRAWINGS FOR FL600

SUBSILL ANCHORING

REV	BY	DATE	DESCRIPTION

Coral
Architectural Products
3810 HEE WINE ROAD, TUSCALOOSA, AL 35466
PHONE: 606-772-7727 FAX: 606-443-0261

PROJECT NO. FL600	
DRAWN MRG	DATE 8/14/17
CHECKED WS	APPROVED ###
SHEET 10 OF 15	

NOTES:
 TAPCON TYPE ANCHORS MUST HAVE 3" MINIMUM
 BETWEEN EACH ANCHOR AND 2 1/2" MIN EDGE DISTANCE
 DOOR FRAMES WITH AND WITH OUT TRANSOM MUST BE
 ANCHORED AS SHOWN ON CHART ABOVE AND BELOW

PERIMETER FASTENERS:

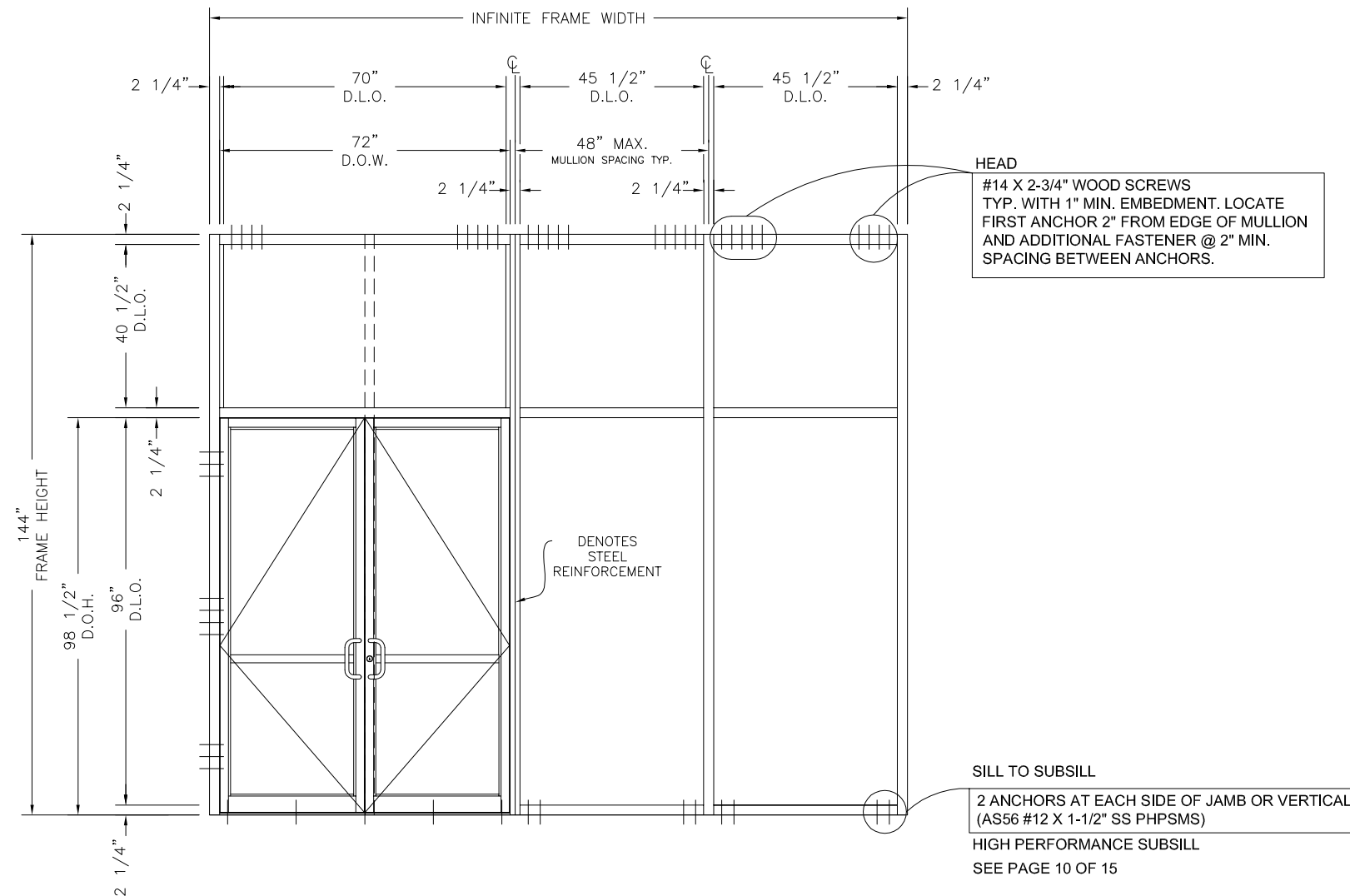
- TYPICAL INSTALLATION INTO SUBSTRATES
 - 2500 PSI CONCRETE
 - STEEL, 18 GA. MIN.
 - HOT ROLLED STEEL, 1/8" MIN. THICKNESS
 - SO. PINE, GRADE NO. 2 OR BETTER
- FIRST ANCHOR IS 2" FROM EDGE OF VERTICAL. EACH ADDITIONAL FASTENER IS AT REQUIRED MIN. SPACING.

ANCHOR LENGTHS SHOWN MINIMUM TO MEET MINIMUM EMBEDMENT

PAIR DEPICTED SINGLE DOORS QUALIFIED BY SAME

DOOR FRAMES WITHOUT SIDELITES DUPLICATE ANCHORING ON BOTH JAMBS AS SHOWN (PAIRS AND OR/SINGLES)

DOOR FRAME TYPE	10 TOTAL
#14 X 2-3/4" PAN OR HEX HEAD WOOD SCREW	
FROM BOTTOM OF HEADER DOOR OPENINGS UP 96"	
1 EACH	8 - 1/2"
1 EACH	11 - 1/2"
1 EACH	14 - 1/2"
FROM CENTER OF DOOR OPENING UP TO 96"	
1 EACH	4 - 1/2" ABOVE CTR LINE
1 EACH	1 - 1/2" ABOVE CTR LINE
1 EACH	1 - 1/2" BELOW CTR LINE
1 EACH	4 - 1/2" BELOW CTR LINE
FROM BOTTOM OF FRAME UP	
1 EACH	11 - 1/2"
1 EACH	14 - 1/2"
1 EACH	17 - 1/2"



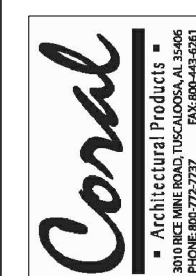
THRESHOLD ANCHORS	
TYPE	1/4" X 2-1/2" FHP TAPCON OR EQUAL WITH 1-3/4" MINIMUM EMBEDMENT
SINGLE DOORS UP TO 48"	(1) EACH 4" FROM EACH JAMB
3 ANCHORS TOTAL	(1) EACH AT CENTER LINE OF DOOR OPENING (1) EACH AT 4" FROM EACH JAMB
PAIRS UP TO 96"	(1) EACH AT CENTER LINE OF DOOR OPENING
5 ANCHORS TOTAL	(1) EACH BETWEEN CENTER LINE AND 4" JAMB ANCHORS

**WOOD SUBSTRATE - 1-1/2" THICK
 ANCHOR LOCATIONS**

ELIZABETH A. BROADWAY
 PROFESSIONAL ENGINEER
 FLORIDA REGISTRATION NO. 38558

BROADWAY ENGINEERING, P.A.
 CIVIL, MECHANICAL, STRUCTURAL AND BUILDING DESIGN
 See Us At www.Broadway-Eng.Com
 1335 W. Cass Street
 Tampa, Florida 33606 813-251-9244
 Fax 813-251-9330 Bus. Email: Info@Broadway-Eng.Com
 Cadd. Email: DGorr@Broadway-Eng.Com
 BE-4545 Certificate of Authorization No. 4599

REV	BY	DATE	DESCRIPTION



FLORIDA PRODUCT
 APPROVAL DRAWINGS FOR FL600

FASTENER LOCATIONS

PROJECT NO.	FL600
DRAWN	DATE
MRG	8/14/17
CHECKED	APPROVED
WS	###
SHEET	11 OF 15

NOTES:
 TAPCON TYPE ANCHORS MUST HAVE 3" MINIMUM BETWEEN EACH ANCHOR AND 2 1/2" MIN EDGE DISTANCE
 DOOR FRAMES WITH AND WITH OUT TRANSOM MUST BE ANCHORED AS SHOWN ON CHART ABOVE AND BELOW

PERIMETER FASTENERS:

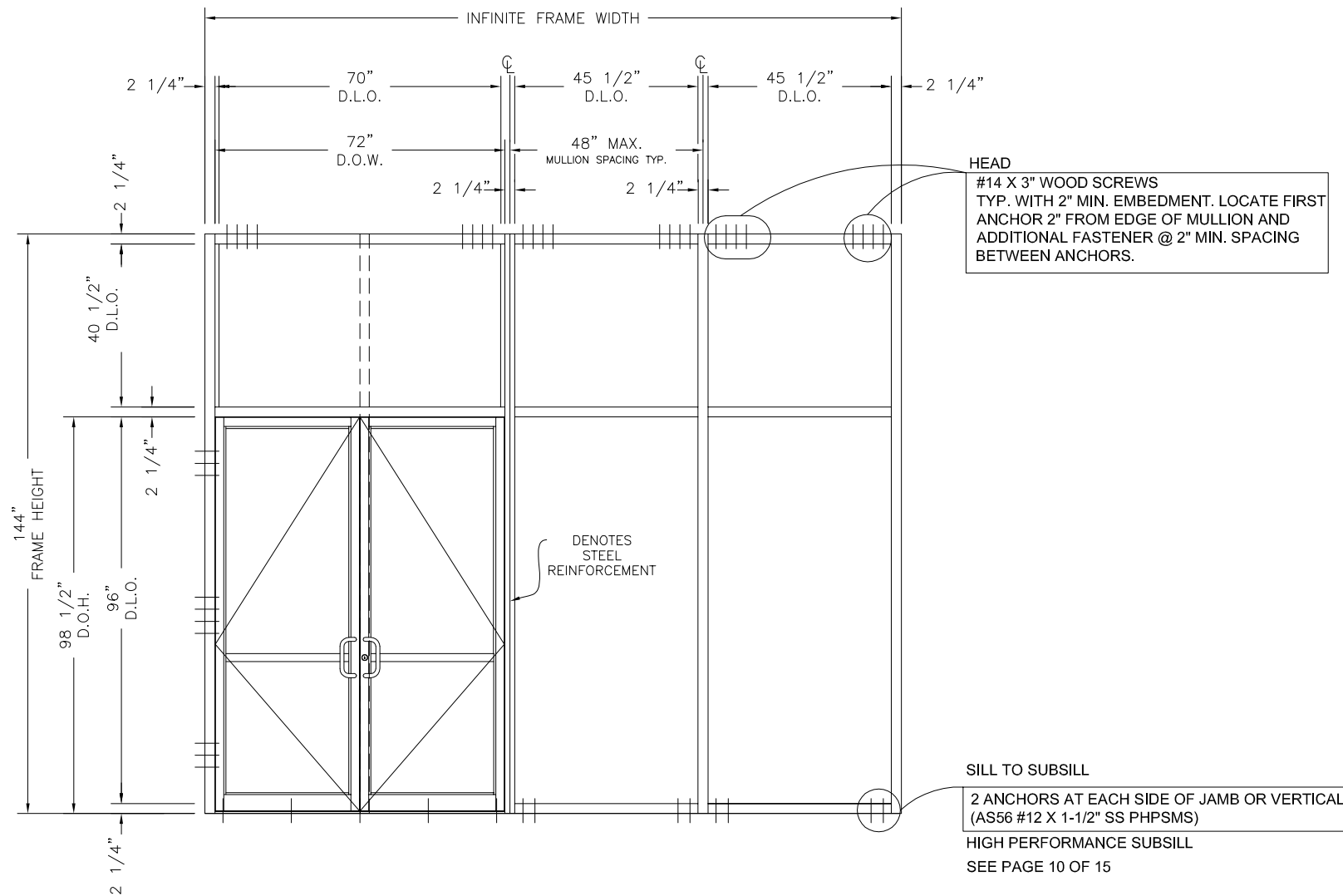
- TYPICAL INSTALLATION INTO SUBSTRATES
 - 2500 PSI CONCRETE
 - STEEL, 18 GA. MIN.
 - HOT ROLLED STEEL, 1/8" MIN. THICKNESS
 - SO. PINE, GRADE NO. 2 OR BETTER
- FIRST ANCHOR IS 2" FROM EDGE OF VERTICAL. EACH ADDITIONAL FASTENER IS AT REQUIRED MIN. SPACING.

ANCHOR LENGTHS SHOWN MINIMUM TO MEET MINIMUM EMBEDMENT

PAIR DEPICTED SINGLE DOORS QUALIFIED BY SAME

DOOR FRAMES WITHOUT SIDELITES DUPLICATE ANCHORING ON BOTH JAMBS AS SHOWN (PAIRS AND OR/SINGLES)

DOOR FRAME TYPE	10 TOTAL #14 X 3" PAN OR HEX HEAD WOOD SCREW
FROM BOTTOM OF HEADER DOOR OPENINGS UP 96"	
1 EACH	8 - 1/2"
1 EACH	11 - 1/2"
1 EACH	14 - 1/2"
FROM CENTER OF DOOR OPENING UP TO 96"	
1 EACH	4 - 1/2" ABOVE CTR LINE
1 EACH	1 - 1/2" ABOVE CTR LINE
1 EACH	1 - 1/2" BELOW CTR LINE
1 EACH	4 - 1/2" BELOW CTR LINE
FROM BOTTOM OF FRAME UP	
1 EACH	11 - 1/2"
1 EACH	14 - 1/2"
1 EACH	17 - 1/2"



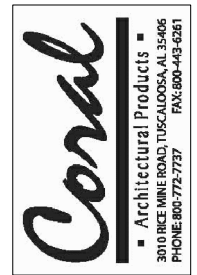
THRESHOLD ANCHORS	
TYPE	1/4" X 2-1/2" FHP TAPCON OR EQUAL WITH 1-3/4" MINIMUM EMBEDMENT
SINGLE DOORS UP TO 48"	(1) EACH 4" FROM EACH JAMB
3 ANCHORS TOTAL	(1) EACH AT CENTER LINE OF DOOR OPENING (1) EACH AT 4" FROM EACH JAMB
PAIRS UP TO 96"	(1) EACH AT CENTER LINE OF DOOR OPENING
5 ANCHORS TOTAL	(1) EACH BETWEEN CENTER LINE AND 4" JAMB ANCHORS

WOOD SUBSTRATE - 3" THICK ANCHOR LOCATIONS

ELIZABETH A. BROADWAY
 PROFESSIONAL ENGINEER
 FLORIDA REGISTRATION NO. 38558

BROADWAY ENGINEERING, P.A.
 CIVIL, MECHANICAL, STRUCTURAL AND BUILDING DESIGN
 See Us At www.Broadway-Eng.Com
 1335 W. Cass Street
 Tampa, Florida 33606 813-251-9244
 Fax 813-251-9330 Bus. Email: Info@Broadway-Eng.Com
 Cadd. Email: DGorr@Broadway-Eng.Com
 BE-4545 Certificate of Authorization No. 4599

REV	BY	DATE	DESCRIPTION



FLORIDA PRODUCT APPROVAL DRAWINGS FOR FL600

FASTENER LOCATIONS

PROJECT NO.	FL600
DRAWN	DATE
MRG	8/14/17
CHECKED	APPROVED
WS	###
SHEET	12 OF 15

NOTES:
 TAPCON TYPE ANCHORS MUST HAVE 3" MINIMUM BETWEEN EACH ANCHOR AND 2 1/2" MIN EDGE DISTANCE DOOR FRAMES WITH AND WITH OUT TRANSOM MUST BE ANCHORED AS SHOWN ON CHART ABOVE AND BELOW

PERIMETER FASTENERS:

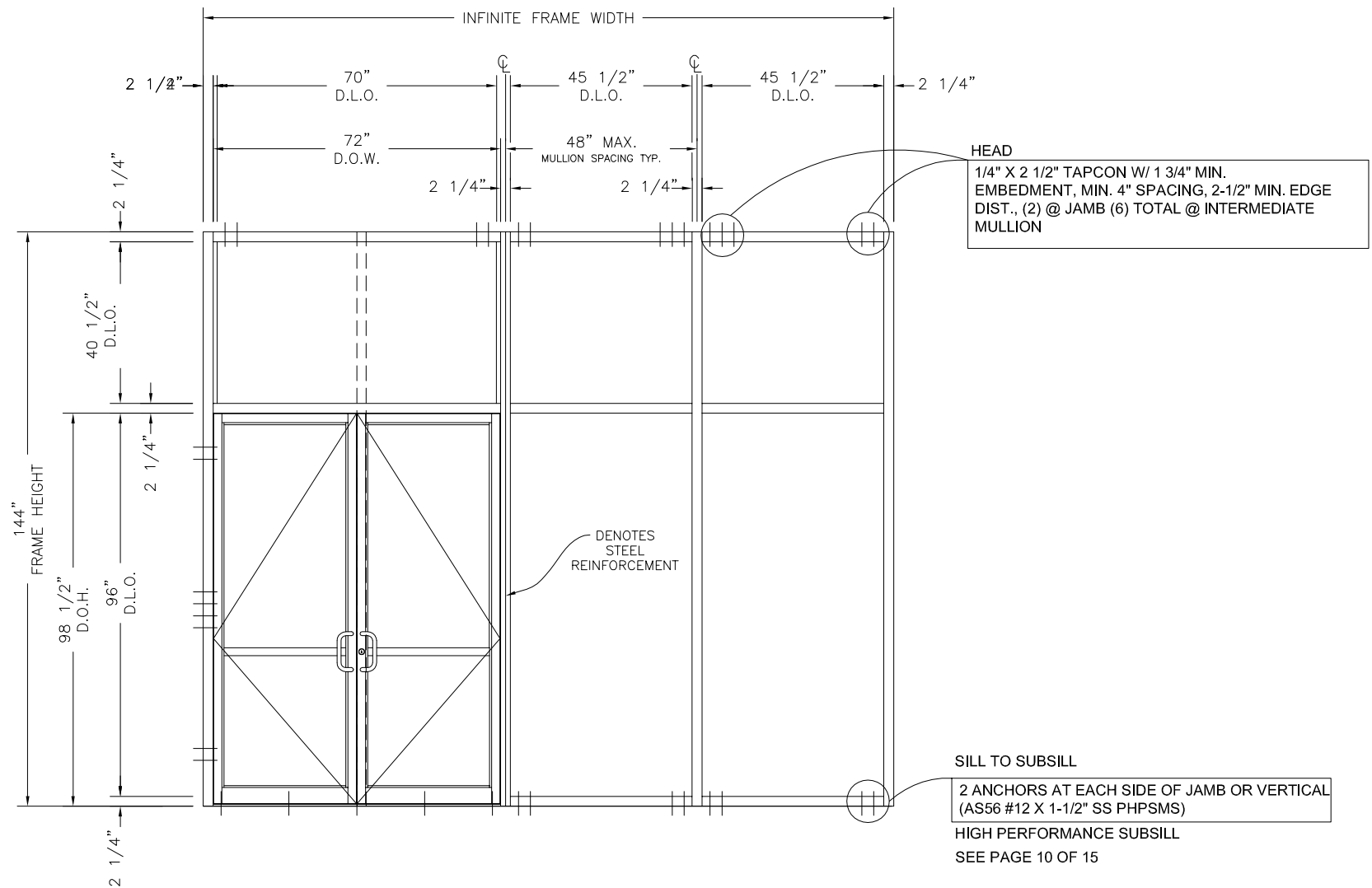
1. TYPICAL INSTALLATION INTO SUBSTRATES
 - A. 2500 PSI CONCRETE
 - B. STEEL, 18 GA. MIN.
 - C. HOT ROLLED STEEL, 1/8" MIN. THICKNESS
 - D. SO. PINE, GRADE NO. 2 OR BETTER
2. FIRST ANCHOR IS 2" FROM EDGE OF VERTICAL. EACH ADDITIONAL FASTENER IS AT REQUIRED MIN. SPACING.

ANCHOR LENGTHS SHOWN MINIMUM TO MEET MINIMUM EMBEDMENT

PAIR DEPICTED SINGLE DOORS QUALIFIED BY SAME

DOOR FRAMES WITHOUT SIDELITES DUPLICATE ANCHORING ON BOTH JAMBS AS SHOWN (PAIRS AND OR/SINGLES)

DOOR FRAME TYPE	8 TOTAL
1/4" X 2-1/2" HEX TAPCON OR EQUAL	
FROM BOTTOM OF HEADER DOOR OPENINGS UP 96"	
1 EACH	8 - 1/2"
1 EACH	11 - 1/2"
FROM CENTER OF DOOR OPENING UP TO 96"	
1 EACH	4 - 1/2" ABOVE CTR LINE
1 EACH	1 - 1/2" ABOVE CTR LINE
1 EACH	1 - 1/2" BELOW CTR LINE
1 EACH	4 - 1/2" BELOW CTR LINE
FROM BOTTOM OF FRAME UP	
1 EACH	11 - 1/2"
1 EACH	14 - 1/2"



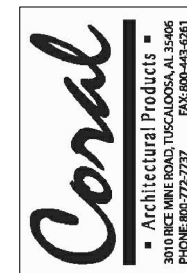
THRESHOLD ANCHORS	
TYPE	1/4" X 2-1/2" FHP TAPCON OR EQUAL WITH 1-3/4" MINIMUM EMBEDMENT
SINGLE DOORS UP TO 48"	(1) EACH 4" FROM EACH JAMB
3 ANCHORS TOTAL	(1) EACH AT CENTER LINE OF DOOR OPENING (1) EACH AT 4" FROM EACH JAMB
PAIRS UP TO 96"	(1) EACH AT CENTER LINE OF DOOR OPENING
5 ANCHORS TOTAL	(1) EACH BETWEEN CENTER LINE AND 4" JAMB ANCHORS

CONCRETE SUBSTRATE ANCHOR LOCATIONS

ELIZABETH A. BROADWAY
 PROFESSIONAL ENGINEER
 FLORIDA REGISTRATION NO. 38558

BROADWAY ENGINEERING, P.A.
 CIVIL, MECHANICAL, STRUCTURAL AND BUILDING DESIGN
 See Us At www.Broadway-Eng.Com
 1335 W. Cass Street
 Tampa, Florida 33606 813-251-9244
 Fax 813-251-9330 Bus. Email: Info@Broadway-Eng.Com
 Cadd. Email: DGorr@Broadway-Eng.Com
 BE-4545 Certificate of Authorization No. 4599

REV	BY	DATE	DESCRIPTION



FLORIDA PRODUCT APPROVAL DRAWINGS FOR FL600

FASTENER LOCATIONS

PROJECT NO.	FL600
DRAWN	DATE
MRG	8/14/17
CHECKED	APPROVED
WS	###
SHEET	

NOTES:
 TAPCON TYPE ANCHORS MUST HAVE 3" MINIMUM BETWEEN EACH ANCHOR AND 2 1/2" MIN EDGE DISTANCE
 DOOR FRAMES WITH AND WITH OUT TRANSOM MUST BE ANCHORED AS SHOWN ON CHART ABOVE AND BELOW

PERIMETER FASTENERS:

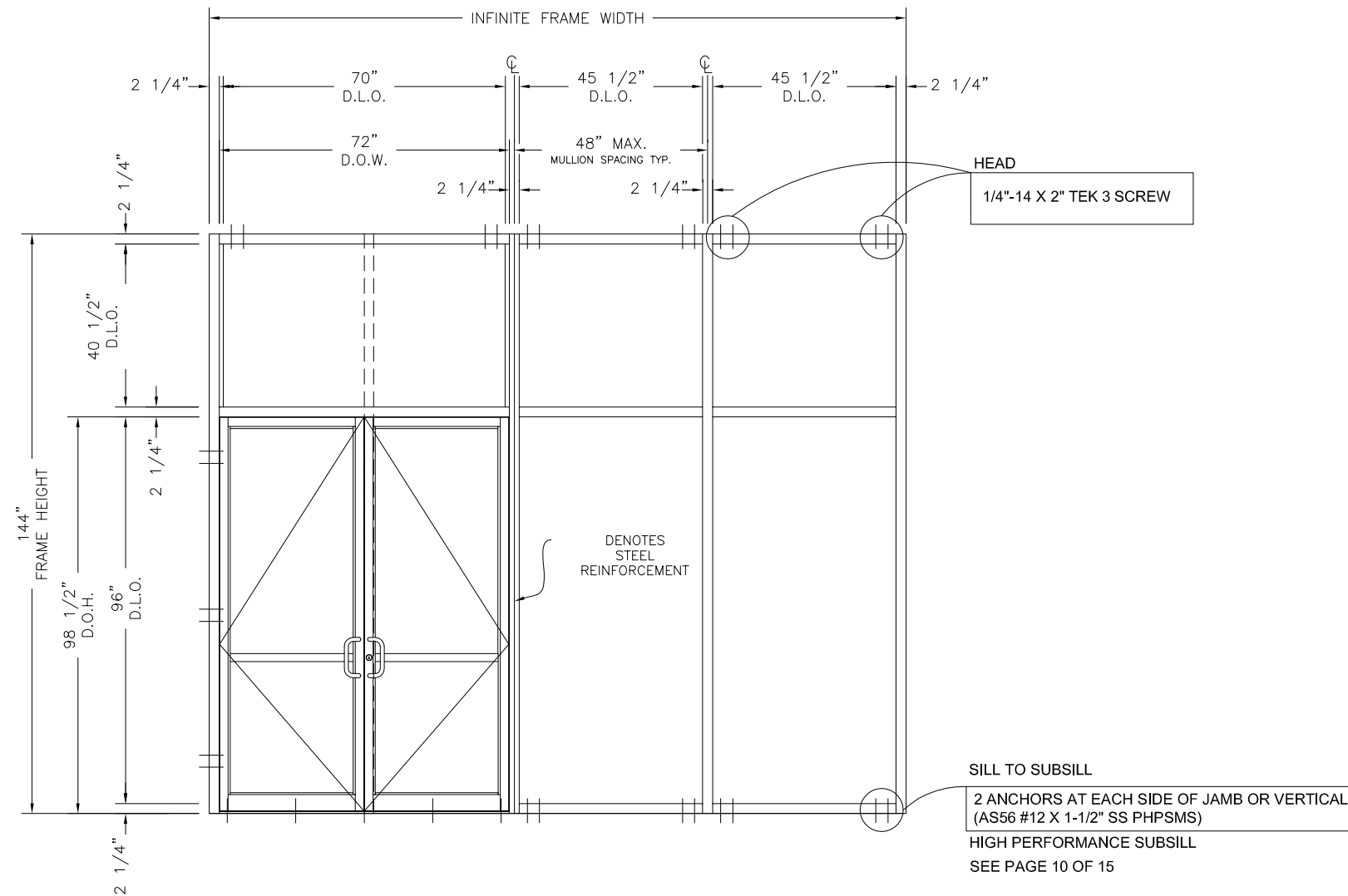
- TYPICAL INSTALLATION INTO SUBSTRATES
 - 2500 PSI CONCRETE
 - STEEL, 18 GA. MIN.
 - HOT ROLLED STEEL, 1/8" MIN. THICKNESS
 - SO. PINE, GRADE NO. 2 OR BETTER
- FIRST ANCHOR IS 2" FROM EDGE OF VERTICAL. EACH ADDITIONAL FASTENER IS AT REQUIRED MIN. SPACING.

ANCHOR LENGTHS SHOWN MINIMUM TO MEET MINIMUM EMBEDMENT

PAIR DEPICTED SINGLE DOORS QUALIFIED BY SAME

DOOR FRAMES WITHOUT SIDELITES DUPLICATE ANCHORING ON BOTH JAMBS AS SHOWN (PAIRS AND OR/SINGLES)

DOOR FRAME TYPE	6 TOTAL
TYPE	1/4" X 2" PAN OR HEX HEAD TEK SCREW
FROM BOTTOM OF HEADER DOOR OPENINGS UP 96"	
1 EACH	8 - 1/2"
1 EACH	11 - 1/2"
FROM CENTER OF DOOR OPENING UP TO 96"	
1 EACH	1 - 1/2" ABOVE CTR LINE
1 EACH	1 - 1/2" BELOW CTR LINE
FROM BOTTOM OF FRAME UP	
1 EACH	11 - 1/2"
1 EACH	14 - 1/2"



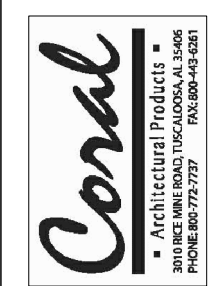
THRESHOLD ANCHORS	
TYPE	1/4" X 2-1/2" FHP TAPCON OR EQUAL WITH 1-3/4" MINIMUM EMBEDMENT
SINGLE DOORS UP TO 48"	(1) EACH 4" FROM EACH JAMB
3 ANCHORS TOTAL	(1) EACH AT CENTER LINE OF DOOR OPENING (1) EACH AT 4" FROM EACH JAMB
PAIRS UP TO 96"	(1) EACH AT CENTER LINE OF DOOR OPENING
5 ANCHORS TOTAL	(1) EACH BETWEEN CENTER LINE AND 4" JAMB ANCHORS

**LIGHT GAUGE MIN. 18 GA. STEEL
 OR MIN. 1/8" HOT ROLLED STEEL
 SUBSTRATE ANCHOR LOCATIONS**

ELIZABETH A. BROADWAY
 PROFESSIONAL ENGINEER
 FLORIDA REGISTRATION NO. 38558

BROADWAY ENGINEERING, P.A.
 CIVIL, MECHANICAL, STRUCTURAL AND BUILDING DESIGN
 See Us At www.Broadway-Eng.Com
 1335 W. Cass Street
 Tampa, Florida 33606 813-251-9244
 Fax 813-251-9330 Bus. Email: Info@Broadway-Eng.Com
 Cadd. Email: DGorr@Broadway-Eng.Com
 BE-4545 Certificate of Authorization No. 4599

REV	BY	DATE	DESCRIPTION



FLORIDA PRODUCT
 APPROVAL DRAWINGS FOR FL600

FASTENER LOCATIONS

PROJECT NO.	FL600
DRAWN	DATE
MRG	8/14/17
CHECKED	APPROVED
WS	###
SHEET	14 OF 15

NOTES:
 TAPCON TYPE ANCHORS MUST HAVE 3" MINIMUM
 BETWEEN EACH ANCHOR AND 2 1/2" MIN EDGE DISTANCE
 DOOR FRAMES WITH AND WITH OUT TRANSOM MUST BE
 ANCHORED AS SHOWN ON CHART ABOVE AND BELOW

PERIMETER FASTENERS:

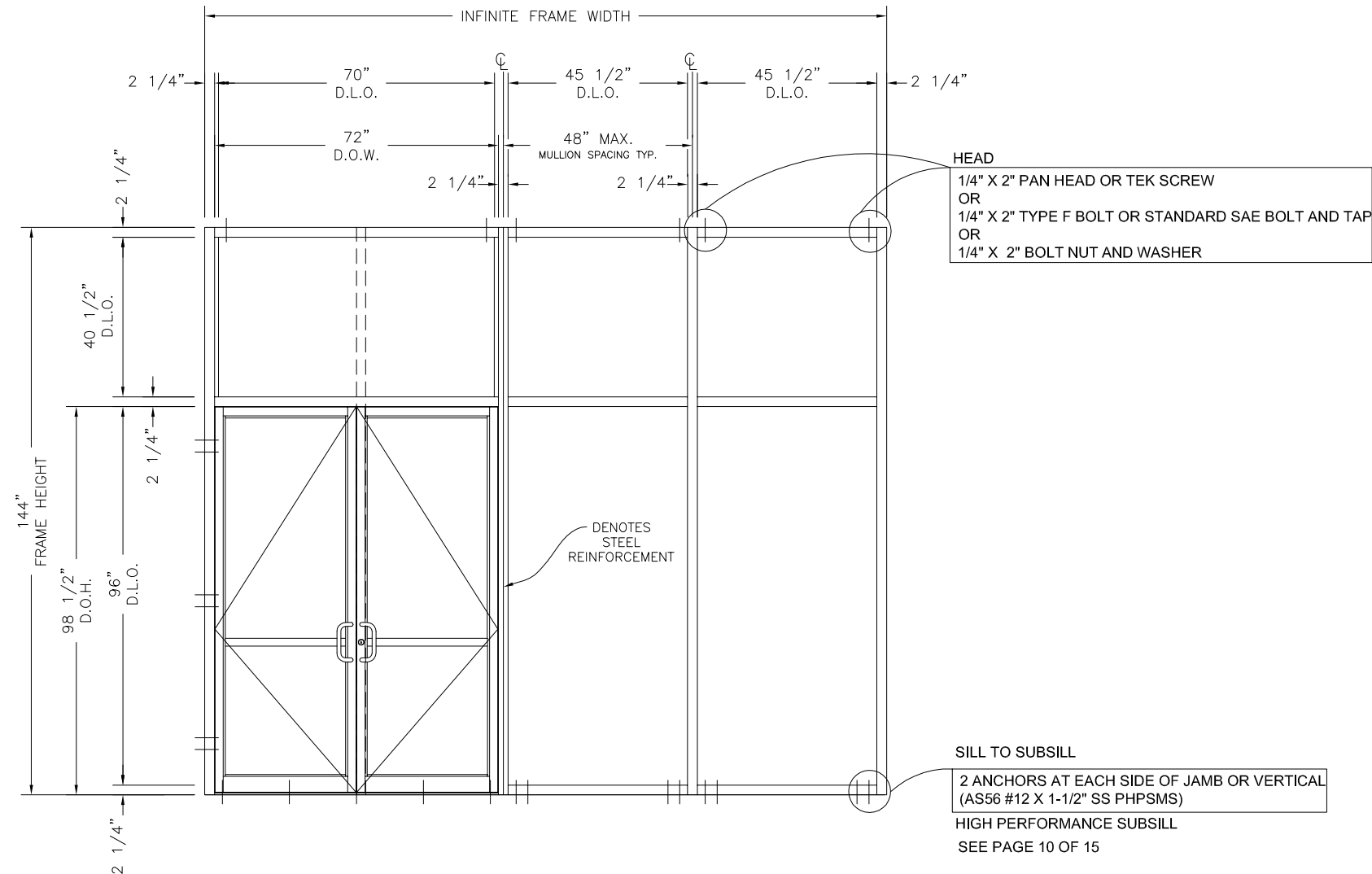
- TYPICAL INSTALLATION INTO SUBSTRATES
 - 2500 PSI CONCRETE
 - STEEL, 18 GA. MIN.
 - HOT ROLLED STEEL, 1/8" MIN. THICKNESS
 - SO. PINE, GRADE NO. 2 OR BETTER
- FIRST ANCHOR IS 2" FROM EDGE
 OF VERTICAL. EACH ADDITIONAL
 FASTENER IS AT REQUIRED MIN. SPACING.

ANCHOR LENGTHS SHOWN MINIMUM TO MEET MINIMUM
 EMBEDMENT

PAIR DEPICTED SINGLE DOORS QUALIFIED BY SAME

DOOR FRAMES WITHOUT SIDELITES DUPLICATE
 ANCHORING ON BOTH JAMBS AS SHOWN (PAIRS AND
 OR/SINGLES)

DOOR FRAME TYPE	6 TOTAL
	1/4" X 2" PAN OR HEX HEAD TEK SCREW
	1/4" X 2" TYPE F BOLT OR STANDARD SAE BOLT AND TAP
	1/4" X 2" BOLT NUT AND WASHER
FROM BOTTOM OF HEADER DOOR OPENINGS UP 96"	
1 EACH	8 - 1/2"
1 EACH	11 - 1/2"
FROM CENTER OF DOOR OPENING UP TO 96"	
1 EACH	1 - 1/2" ABOVE CTR LINE
1 EACH	1 - 1/2" BELOW CTR LINE
FROM BOTTOM OF FRAME UP	
1 EACH	11 - 1/2"
1 EACH	14 - 1/2"



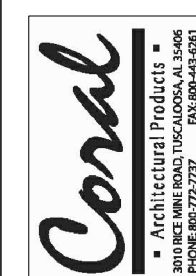
THRESHOLD ANCHORS	
TYPE	1/4" X 2-1/2" FHP TAPCON OR EQUAL WITH 1-3/4" MINIMUM EMBEDMENT
SINGLE DOORS UP TO 48"	(1) EACH 4" FROM EACH JAMB
3 ANCHORS TOTAL	(1) EACH AT CENTER LINE OF DOOR OPENING (1) EACH AT 4" FROM EACH JAMB
PAIRS UP TO 96"	(1) EACH AT CENTER LINE OF DOOR OPENING
5 ANCHORS TOTAL	(1) EACH BETWEEN CENTER LINE AND 4" JAMB ANCHORS

STEEL SUBSTRATE ANCHOR LOCATIONS

ELIZABETH A. BROADWAY
 PROFESSIONAL ENGINEER
 FLORIDA REGISTRATION NO. 38558

BROADWAY ENGINEERING, P.A.
 CIVIL, MECHANICAL, STRUCTURAL AND BUILDING DESIGN
 See Us At www.Broadway-Eng.Com
 1335 W. Cass Street
 Tampa, Florida 33606 813-251-9244
 Fax 813-251-9330 Bus. Email: Info@Broadway-Eng.Com
 Cadd. Email: DGorr@Broadway-Eng.Com
 BE-4545 Certificate of Authorization No. 4599

REV	BY	DATE	DESCRIPTION



FLORIDA PRODUCT APPROVAL DRAWINGS FOR FL600

FASTENER LOCATIONS

PROJECT NO.	FL600
DRAWN	DATE
MRG	8/14/17
CHECKED	APPROVED
WS	###
SHEET	15 OF 15